

Verifone[®]

T650c
Point of Sale Terminal

User Manual
support@verifone.cn



Verifone Systems (China) Inc.

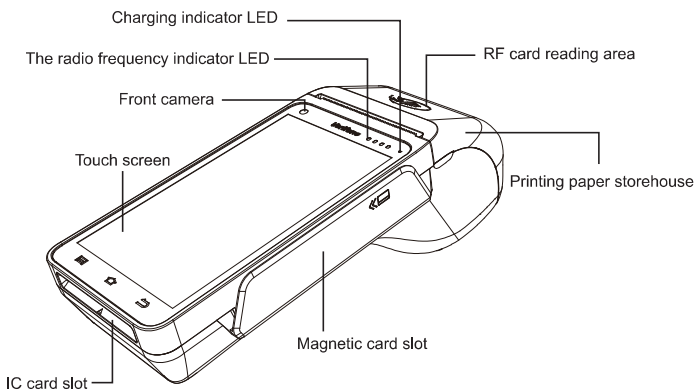
User Instruction

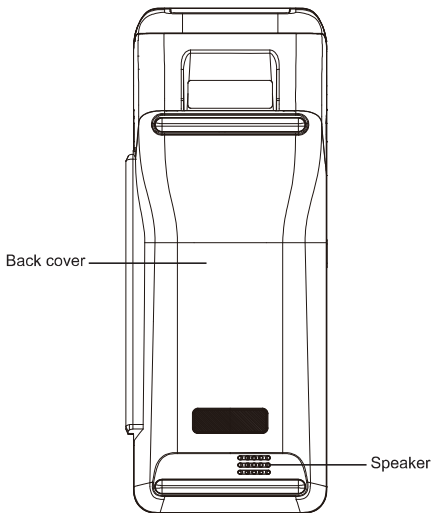
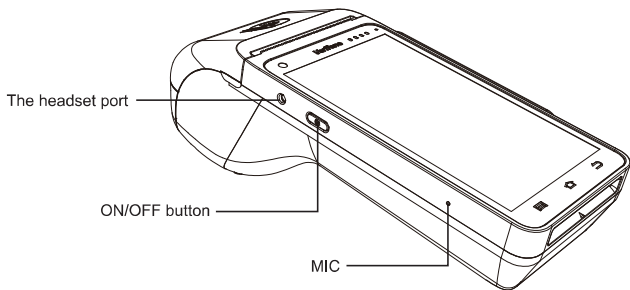
Thank you very much for choosing VERIFONE products, pls read this instruction before use so that you could know the performance deeply. Please keep this instruction for your reference if you have problem during use.

Our company will try best to adopt new technologies, new components, new software to improve products. Hence, we have right to change without notice. The feature, function and operation described in this instruction may be different from the performance of the selling products, in some cases, image is prototype devices. Pls inquiry our company or agent for appropriate document before using this instruction.

The device should be installed by after sale service person. Our company shall not be liable for any consequences arising from unauthorized changes to the equipment, replacement of the connected equipment and cables not as specified.

1.Basic configuration






2. User instruction

2.1 ON/OFF instruction

POWER ON: press "  " ON/OFF button for 3 seconds

POWER OFF: press "  " ON/OFF button for 3 seconds and then press "power off" on the screen

2.2 Magnetic card

Put the magnetic card into the magnetic card slot to read, magnetic side towards the LCD (refer to the sign for card identification). Keep smooth, uniform when swiping the card.

2.3 Contact IC card

Insert IC card into the IC card slot, the metal side towards keypad, please refer to card identification.

2.4 Contactless card

Put the contactless card near the contactless card reader zone on the device, and make contactless card transaction.

Put one contactless card every time to avoid conflict if putting more cards.

2.5 Charging

Connect the Type C cable to POS terminal, connect the other connector to 9V/2.5A power adaptor to charge.

3. Terminal specification

Item	Specification
Model Name	T650c
CPU	ARM Cortex-A7 Quad-core CPU
Memory	2G RAM+16G ROM Flash
Operating System	Android 7.x secure payment system
Display	5.5 inch IPS screen, resolution 1280×720
Extended storage	Micro SD card interface, maximum support 32GB
Password keypad	Built-in password keypad Conform to ANSI X9.8/ISO9564, ANSI X9.9/ISO8731 standard Support Master Key/Session Key, Fixed, DUKPT etc PIN protection technology Support DES, 3DES, RSA, SHA-256 and AES etc algorithm
Touch Screen	Capacitive touch screen, support e-signature
IC card reader	Conform to ISO7816, PBOC and EMV level 1&2 standard
Magnetic card reader	Support ISO7811 1/2/3 track, bi-directional reading

Contactless card reader	Support ISO/IEC 14443 Type A&B, MiFare card, conform to qPBOC, PAYPASS and PAYWAVE standard
Rear camera	High pixel customized camera with flash, auto focus(optional)
Front camera	Professional camera with 1D/2D barcode fast recognition algorithm(optional)
Physical interface	2 x USB port; 1 x Serial port(RS232); 1 x Ethernet port 3.5mm Audio jack port 2 x SAM; or 1 x SAM, 2 x SIM; or 2 x SAM, 1 x SIM
Indicator LED	4 contactless indicator LED 1 two-color charging indicator LED
Buzzer	Built-in buzzer, speaker, microphone
Printer	Built-in high-speed thermal printer with print speed greater than 25 lines per second, support paper roll with width of 58mm and diameter of 50mm, support black mark positioning
Connectivity	4G/3G/2G compatible(optional); Wi-Fi; Bluetooth
Power adaptor	Input: AC 110V ~ 240V/50 ~ 60Hz/0.3A Output: DC 9V/2.5A
Optional accessories	1.The rear camera 2.The base (charge + Ethernet)
Environmental condition	Operating temperature: 0 C ~ 50 C storage temperature: -20 C ~ 60 C Relative humidity: 5% ~ 90% (RH without condensation)

4.Instruction for installation and usage

- 4.1 Please use device under the specified voltage range, don't use too low or too high voltage.
- 4.2 Please make sure the connection is correct when connecting the device to the host.
- 4.3 Don't damage the cable, if the cable is damaged, please don't use it anymore.
- 4.4 Don't put the device in direct sunlight, high temperature, humidity, dusty or strong corrosive gas.
- 4.5 Put away from liquid, don't use the product where the water may wet or enter into it, don't operate the product with wet hand.

- 4.6 It is strictly prohibited to open the device without permission. otherwise the device will not be used, the consequence will be at your own risk.
- 4.7 If the device fails, please contact maintenance person, user is not allowed to maintain the device.
- 4.8 Be sure to use the original battery or specified type of battery, otherwise it may cause the risk of explosion, prohibit the dismantling impact, extrusion, heating, short circuit or put into the fire, the battery is prohibited to use after soaking.
- 4.9 Adapter shall be installed near the equipment and shall be easily accessible.
- 4.10 Hereby, [Verifone Systems (China) Inc.] declares that the radio equipment type [T650c] is in compliance with Directive 2014/53/EU.
The full text of the EU declaration of conformity is available at the following internet address: <http://www.verifone.cn>
- 4.11 The device could be used with a separation distance of 20cm to the human body.
- 4.12 None battery pack supplied, do not use battery pack.

5.Password anti-peep instruction

- 5.1 Use the following techniques to provide effective screening of PIN-Entry Devices (PEDs) during the PIN-entry process. You can use these methods in combination, although in some cases a single method might suffice.
 - 5.1.1 Position the device on the check-in stand in such a way as to block visual observation of the PIN-entry process. Examples include:
 - 1) Visual shields designed into the check-in stand. The shields may be solely for shielding purposes or may be part of the general check-in stand design.
 - 2) Position the device so that it is angled in such a way that PIN spying is difficult.
 - 5.1.2 Install the PED on an adjustable stand that allows consumers to swivel the device sideways and/or tilt it forwards/backwards to a position that makes visual observation of the PIN-entry process difficult.
- 5.2 Position in-store security cameras so that the PIN-entry keypad is not visible. The following table describes the two preferred mounting methods and the recommended measures to protect against PIN capture in four observation corridors:

Method	Cashier	Customer in Queue	Customers Elsewhere	On-site Cameras
Countertop without stand	Use signage behind the PED	Install so that customer is between PED and next in queue	No action needed	Do not install within view of cameras
Countertop with stand	No action needed	Install so that customer is between PED and next in queue	No action needed	Do not install within view of cameras

5.3 Verifone recommended instructions for the cardholder regarding safe PIN entry.

This can be done with a combination of:

5.3.1 Signage on the PED

5.3.2 Prompts on the display, possibly with a click-through screen

5.3.3 Literature at the point of sale

5.3.4 A logo for safe PIN-entry process.

5.4 Use the following guidelines to protect the user's privacy when they enter their personal identification number (PIN):

5.4.1 The area of visibility should be no larger than a cone taken from the number 5 key at an angle of 45° and cover an area of 270° directly in front of the user.

Verifone recommends the use of an approved stand for all mounting situations. Position the device conveniently in relation to power, POS, ECR, and LAN connections. Ensure the T650c device is located in a manner that allows customers to swipe their magnetic cards or insert their smart cards in a smooth and comfortable motion without encountering obstructions. If the unit will be swiveled during normal operation, Verifone requires the use of an approved swivel stand.

6.Packing list

Serial No.	Name	Qty
1	T650c Smart POS Terminal	1
2	Type C cable	1
3	User Manual	1
4	Paper roll	1
5	Power adaptor	1
6	T650c Declaration of Conformity	1

Verifone Systems (China) Inc. reserves the right to change product technical specification without prior notice.



Verifone Systems (China) Inc.
 24 hours service telephone: 13910835232
 Fax: 010-85869838
 Service support E-mail: support_bjs@Verifone.com
 Web site: www.verifone.com
 Address: Room 301, ZhuoMing Plaza, No. 1069, South Huihe Street, Chaoyang District, Beijing, China
 Contact in USA:
 Verifone, Inc.
 Address: 2560 N. 1st Street, Suite 220, San Jose, CA 95131, USA
 Tel: +1 (408) 232-7800

The device for operation in the band 5150–5250 MHz is only for indoor use to reduce the potential for harmful interference to co-channel mobile satellite systems.
 l'appareil de fonctionnement dans la bande 5150-5250 MHz est uniquement destiné à une utilisation intérieure afin de réduire le risque d'interférences nocives pour co-canaliser les systèmes satellitaires mobiles.

This radio equipment operates with the following frequency bands and maximum radio-frequency power:

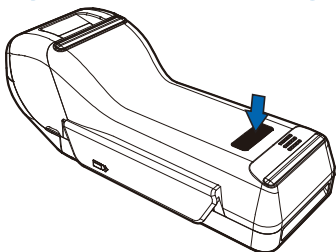
Operating Mode	Operating Frequency Range		Maximum Transmit Power (EIRP) dBm
	TX(MHz)	RX(MHz)	
Bluetooth	2402 - 2480		8.30
WLAN 2.4GHz	2412 - 2472		14.90
WLAN 5GHz Band 1	5150 - 5250		10.40
WLAN 5GHz Band 2	5250 - 5350		9.52
WLAN 5GHz Band 3	5470 - 5725		12.12
WLAN 5GHz Band 4	5725 - 5850		10.97
Operating Mode	Operating Frequency Range		Strength Field
NFC	13.56		dBuA/m at 10m

This product supports Receiver Category 2.

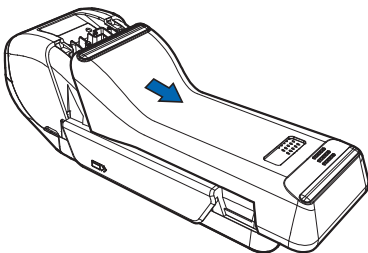
The device is restricted to indoor use only when operating in the 5150 to 5350 MHz frequency range.

	AT	BE	BG	HR	CY	CZ	DK
	EE	FI	FR	DE	EL	HU	IE
	IT	LV	LT	LU	MT	NL	PL
	PT	RO	SK	SI	ES	SE	UK

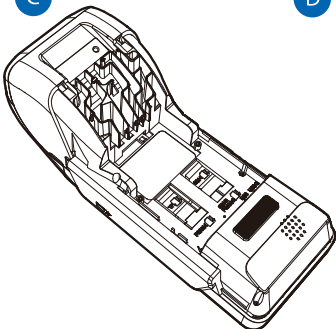
A



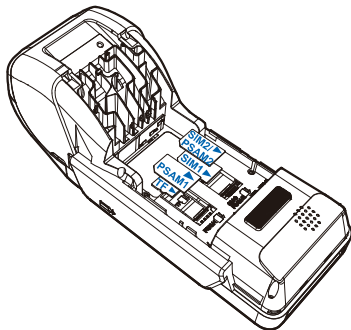
B



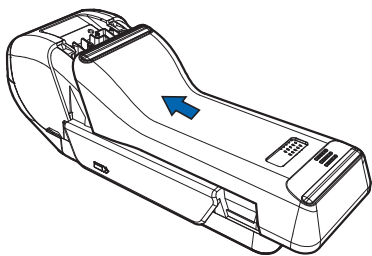
C



D



E



FCC Regulations:

This device complies with part 15 of the FCC Rules. Operation is subject to the following two conditions: (1) This device may not cause harmful interference, and (2) this device must accept any interference received, including interference that may cause undesired operation. This device has been tested and found to comply with the limits for a Class B digital device, pursuant to Part 15 of the FCC Rules. These limits are designed to provide reasonable protection against harmful interference in a residential installation. This equipment generates, uses and can radiate radio frequency energy and, if not installed and used in accordance with the instructions, may cause harmful interference to radio communications. However, there is no guarantee that interference will not occur in a particular installation. If this equipment does cause harmful interference to radio or television reception, which can be determined by turning the equipment off and on, the user is encouraged to try to correct the interference by one or more of the following measures:

- Reorient or relocate the receiving antenna.
- Increase the separation between the equipment and receiver.
- Connect the equipment into an outlet on a circuit different from that to which the receiver is connected.
- Consult the dealer or an experienced radio/TV technician for help.

Caution: Changes or modifications not expressly approved by the party responsible for compliance could void the user's authority to operate the equipment.

RF Exposure Information

This device meets the government's requirements for exposure to radio waves. This device is designed and manufactured not to exceed the emission limits for exposure to radio frequency (RF) energy set by the Federal Communications Commission of the U.S. Government.

This device complies with FCC radiation exposure limits set forth for an uncontrolled environment. In order to avoid the possibility of exceeding the FCC radio frequency exposure limits, human proximity to the antenna shall not be less than 20cm (8 inches) during normal operation.

ISED Notice

This device complies with Innovation, Science and Economic Development Canada license-exempt RSS standard(s). Operation is subject to the following two conditions:
(1) this device may not cause interference, and
(2) this device must accept any interference, including interference that may cause undesired operation of the device.

Le présent appareil est conforme aux CNR Innovation, Sciences et Développement économique Canada applicables aux appareils radio exempts de licence. L'exploitation est autorisée aux deux conditions suivantes:

- (1) l'appareil ne doit pas produire de brouillage, et
- (2) l'utilisateur de l'appareil doit accepter tout brouillage radioélectrique subi, même si le brouillage est susceptible d'en

This device complies with the Canadian ICES-003 Class B specifications. CAN ICES-3(B)/ NMB-3(B)

IC ID: 787C-T650C

SED RF Exposure Statement

This device complies with ISED RSS-102 RF exposure limits set forth for an uncontrolled environment. In order to avoid the possibility of exceeding the IC RSS-102 RF exposure limits, human proximity to the antenna shall not be less than 20cm (8 inches) during normal operation.

Cet appareil est conforme aux limites d'exposition aux rayonnements de la CNR-102 définies pour un environnement non contrôlé. Afin d'éviter la possibilité de dépasser les limites d'exposition aux fréquences radio de la CNR-102, la proximité humaine à l'antenne ne doit pas être inférieure à 20 cm (8 pouces) pendant le fonctionnement normal.