

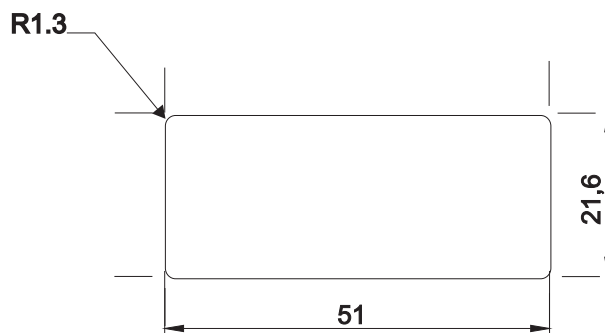
REVISIONS

ECN NO.	I.R	ZONE	LTR	DESCRIPTION	DATE	APPROVED
	X					

GRAPHICS




CUTTING DIMENSIONS



PART No.: LBP113009-A

MATERIAL	PVC, WHITE, 0.08 THICKNESS
ADHESIVE	ON REVERSE SIDE OF LABEL
TEXT COLOR	BLACK
BACKGROUND COLOR	WHITE

△ PLEASE SUPPLY COPIES OF THIS LABEL ON INDIVIDUAL 28cm LONG STRIPS (THE NUMBER OF LABELS PER STRIP VARIES ACCORDING TO THE SPECIFIC LABEL SIDE)

CONTRACT NO.	SIGNATURE	DATE	 <p>TITLE</p> <p>NURIT 8020 WITH RADIO TC63 PRODUCT LABEL</p>			
DRAWN	O.FRIEDMAN	21.06.07				
CHECK	S.LEPEL	21.06.07				
DESIGN						
DESIGN ACTIVITY			SIZE	FILE:	DWG NO.	REV.
			A	1138021	1138021	A00
			SCALE	RELEASE DATE	SHEET	1 OF 1

8.3 Attaching the Labels:

Stick the Barcode Label on the back of the Terminal in its proper location.

If there are additional labels specified on the Product Chart, they are to be attached to the base of the Terminal as shown below.

