



M440

Point-of Interaction Terminal

Verifone
FOR INDOOR USE ONLY


Model: M440
Rating: 12VDC, 1.0A Product: M440
Product No.: M379-XXX-XX-WWA-5 Rev. XXX
HW ID: 379-XX-XX-XXX-XX-XX
FCC ID: B32M440 IC: 787C-M440
BT MAC: XXXXXXXXXXXX
WIFI MAC: XXXXXXXXXXXX
PTID: XXXXXXXXXX
For warranty info: Verifone.com/terms

San Jose, CA USA


CE
FC

UL
LISTED

US I.T.E.
E132144

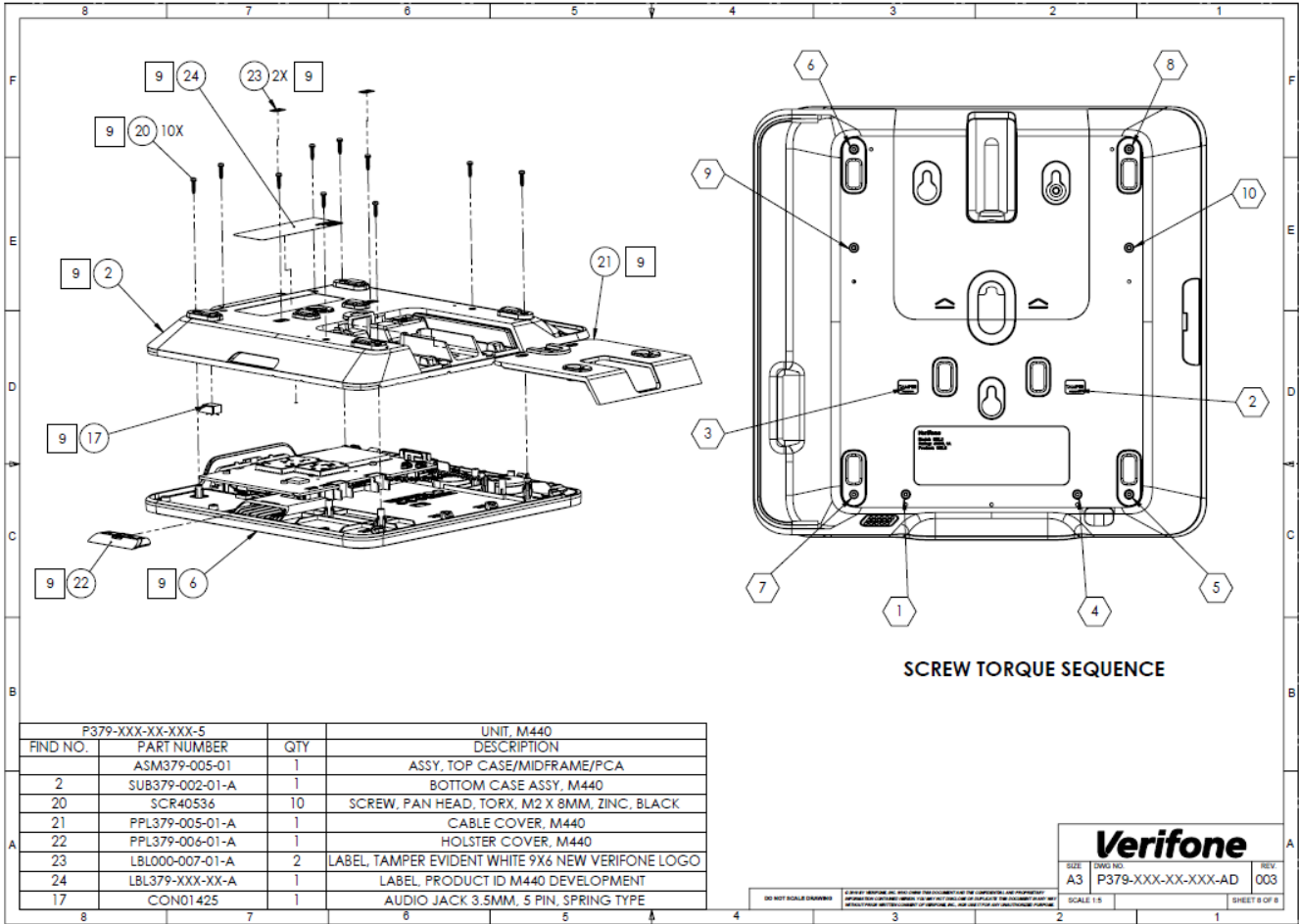


S/N: 123-456-789



MADE IN CHINA AWKS AB11 LBL379-002-01-A

SAMPLE FCC/IC ID LABEL



Label Location