

FCC SAR Test Report

Report No. : SA190211C01
Applicant : Verifone, Inc.
Address : 1400 West Stanford Ranch Road Suite 200 Rocklin CA 95765 USA
Product : Point of Sale Terminal
FCC ID : B32CM5
Brand : Verifone
Model No. : CM5
Standards : FCC 47 CFR Part 2 (2.1093), IEEE C95.1:1992, IEEE Std 1528:2013
KDB 865664 D01 v01r04, KDB 865664 D02 v01r02
KDB 248227 D01 v02r02 , KDB 447498 D01 v06
KDB 941225 D01 v03r01 , KDB 941225 D05 v02r05
Sample Received Date : Feb. 11, 2019
Date of Testing : Feb. 18, 2019 ~ Mar. 07, 2019
Lab Address : No. 47-2, 14th Ling, Chia Pau Vil., Lin Kou Dist., New Taipei City, Taiwan, R.O.C.
Test Location : No. 19, Hwa Ya 2nd Rd, Wen Hwa Vil, Kwei Shan Dist., Taoyuan City 33383, Taiwan (R.O.C)

CERTIFICATION: The above equipment have been tested by **Bureau Veritas Consumer Products Services (H.K.) Ltd., Taoyuan Branch – Lin Kou Laboratories**, and found compliance with the requirement of the above standards. The test record, data evaluation & Equipment Under Test (EUT) configurations represented herein are true and accurate accounts of the measurements of the sample's SAR characteristics under the conditions specified in this report. It should not be reproduced except in full, without the written approval of our laboratory. The client should not use it to claim product certification, approval, or endorsement by TAF or any government agencies.

Prepared By :

Lena Wang

Lena Wang / Specialist

Approved By :

Gordon Lin

Gordon Lin / Assistant Manager



FCC Accredited No.: TW0003

This report is for your exclusive use. Any copying or replication of this report to or for any other person or entity, or use of our name or trademark, is permitted only with our prior written permission. This report sets forth our findings solely with respect to the test samples identified herein. The results set forth in this report are not indicative or representative of the quality or characteristics of the lot from which a test sample was taken or any similar or identical product unless specifically and expressly noted. Our report includes all of the tests requested by you and the results thereof based upon the information that you provided to us. You have 60 days from date of issuance of this report to notify us of any material error or omission caused by our negligence, provided, however, that such notice shall be in writing and shall specifically address the issue you wish to raise. A failure to raise such issue within the prescribed time shall constitute your unqualified acceptance of the completeness of this report, the tests conducted and the correctness of the report contents. Unless specific mention, the uncertainty of measurement has been explicitly taken into account to declare the compliance or non-compliance to the specification.

Table of Contents

Release Control Record	3
1. Summary of Maximum SAR Value	4
2. Description of Equipment Under Test	5
3. SAR Measurement System	6
3.1 Definition of Specific Absorption Rate (SAR)	6
3.2 SPEAG DASY52 System	6
3.2.1 Robot	7
3.2.2 Probes	8
3.2.3 Data Acquisition Electronics (DAE)	8
3.2.4 Phantoms	9
3.2.5 Device Holder	10
3.2.6 System Validation Dipoles	10
3.2.7 Tissue Simulating Liquids	11
3.3 SAR System Verification	14
3.4 SAR Measurement Procedure	15
3.4.1 Area & Zoom Scan Procedure	15
3.4.2 Volume Scan Procedure	15
3.4.3 Power Drift Monitoring	16
3.4.4 Spatial Peak SAR Evaluation	16
3.4.5 SAR Averaged Methods	16
4. SAR Measurement Evaluation	17
4.1 EUT Configuration and Setting	17
4.2 EUT Testing Position	23
4.2.1 Body Exposure Conditions	23
4.2.2 Extremity Exposure Conditions	23
4.3 Tissue Verification	24
4.4 System Validation	25
4.5 System Verification	26
4.6 Maximum Output Power	27
4.6.1 Maximum Target Conducted Power	27
4.6.2 Measured Conducted Power Result	29
4.7 SAR Testing Results	37
4.7.1 SAR Test Reduction Considerations	37
4.7.2 SAR Results for Body Exposure Condition	39
4.7.3 SAR Results for Extremity Exposure Condition (Test Separation Distance is 0 mm)	41
4.7.4 SAR Measurement Variability	45
4.7.5 Simultaneous Multi-band Transmission Evaluation	46
5. Calibration of Test Equipment	50
6. Measurement Uncertainty	51
7. Information of the Testing Laboratories	55
Appendix A. SAR Plots of System Verification	
Appendix B. SAR Plots of SAR Measurement	
Appendix C. Calibration Certificate for Probe and Dipole	
Appendix D. Photographs of EUT and Setup	

1. Summary of Maximum SAR Value

Equipment Class	Mode	Highest SAR-1g Body (W/kg)	Highest SAR-10g Extremity (W/kg)
PCB	GSM850	0.26	1.75
	GSM1900	0.32	3.61
	WCDMA II	0.37	3.65
	WCDMA IV	0.43	3.67
	WCDMA V	0.21	0.99
	LTE 2	0.39	3.70
	LTE 4	0.44	3.56
	LTE 5	0.15	1.09
	LTE 7	0.27	1.79
	LTE 12	0.18	0.79
	LTE 13	0.30	1.20
	LTE 25	0.40	3.72
LTE 26	0.17	1.23	
DTS	2.4G WLAN	0.07	0.42
NII	5.3G WLAN	0.08	0.24
	5.6G WLAN	0.15	0.38
	5.8G WLAN	0.14	0.30
DSS	Bluetooth	0.02	0.13

Highest Simultaneous Transmission SAR	Highest SAR-1g Body (W/kg)	Highest SAR-10g Extremity (W/kg)
	0.46	3.76

Note:

- The SAR criteria (**Head & Body: SAR-1g 1.6 W/kg, and Extremity: SAR-10g 4.0 W/kg**) for general population / uncontrolled exposure is specified in FCC 47 CFR part 2 (2.1093) and ANSI/IEEE C95.1-1992.

2. Description of Equipment Under Test

EUT Type	Point of Sale Terminal
FCC ID	B32CM5
Brand Name	Verifone
Model Name	CM5
HW Version	DVT
SW Version	CM5-N-0.0.46
Tx Frequency Bands (Unit: MHz)	GSM850 : 824.2 ~ 848.8 GSM1900 : 1850.2 ~ 1909.8 WCDMA Band II : 1852.4 ~ 1907.6 WCDMA Band IV : 1712.4 ~ 1752.6 WCDMA Band V : 826.4 ~ 846.6 LTE Band 2 : 1850.7 ~ 1909.3 (BW: 1.4M, 3M, 5M, 10M, 15M, 20M) LTE Band 4 : 1710.7 ~ 1754.3 (BW: 1.4M, 3M, 5M, 10M, 15M, 20M) LTE Band 5 : 824.7 ~ 848.3 (BW: 1.4M, 3M, 5M, 10M) LTE Band 7 : 2502.5 ~ 2567.5 (BW: 5M, 10M, 15M, 20M) LTE Band 12 : 699.7 ~ 715.3 (BW: 1.4M, 3M, 5M, 10M) LTE Band 13 : 779.5 ~ 784.5 (BW: 5M, 10M) LTE Band 25 : 1850.7 ~ 1914.3 (BW: 1.4M, 3M, 5M, 10M, 15M, 20M) LTE Band 26 : 814.7 ~ 848.3 (BW: 1.4M, 3M, 5M, 10M, 15M) WLAN : 2412 ~ 2462, 5180 ~ 5240, 5260 ~ 5320, 5500 ~ 5700, 5745 ~ 5825 Bluetooth : 2402 ~ 2480
Uplink Modulations	GSM & GPRS : GMSK EDGE : 8PSK WCDMA : QPSK LTE : QPSK, 16QAM 802.11b : DSSS 802.11a/g/n : OFDM Bluetooth : GFSK, $\pi/4$ -DQPSK, 8-DPSK
Maximum Tune-up Conducted Power (Unit: dBm)	Please refer to section 4.6.1 of this report
Antenna Type	Fixed Internal Antenna
EUT Stage	Identical Prototype

Note:

- The above EUT information is declared by manufacturer and for more detailed features description please refers to the manufacturer's specifications or User's Manual.

List of Accessory:

AC Adapter	Brand Name	Verifone
	Model Name	VF0602
	Power Rating	I/P: 100-240Vac, 50-60Hz, 0.3A; O/P: 5Vdc, 2A
Battery	Brand Name	Verifone
	Model Name	BPK278-501
	Power Rating	3.85Vdc, 3900mAh
BT/WLAN +WWAN Module	Brand Name	Quectel
	Model Name	SC20-A

3. SAR Measurement System

3.1 Definition of Specific Absorption Rate (SAR)

SAR is related to the rate at which energy is absorbed per unit mass in an object exposed to a radio field. The SAR distribution in a biological body is complicated and is usually carried out by experimental techniques or numerical modeling. The standard recommends limits for two tiers of groups, occupational/controlled and general population/uncontrolled, based on a person's awareness and ability to exercise control over his or her exposure. In general, occupational/controlled exposure limits are higher than the limits for general population/uncontrolled.

The SAR definition is the time derivative (rate) of the incremental energy (dW) absorbed by (dissipated in) an incremental mass (dm) contained in a volume element (dv) of a given density (ρ). The equation description is as below:

$$\text{SAR} = \frac{d}{dt} \left(\frac{dW}{dm} \right) = \frac{d}{dt} \left(\frac{dW}{\rho dv} \right)$$

SAR is expressed in units of Watts per kilogram (W/kg)

SAR measurement can be related to the electrical field in the tissue by

$$\text{SAR} = \frac{\sigma |E|^2}{\rho}$$

Where: σ is the conductivity of the tissue, ρ is the mass density of the tissue and E is the RMS electrical field strength.

3.2 SPEAG DASY52 System

DASY52 system consists of high precision robot, probe alignment sensor, phantom, robot controller, controlled measurement server and near-field probe. The robot includes six axes that can move to the precision position of the DASY52 software defined. The DASY52 software can define the area that is detected by the probe. The robot is connected to controlled box. Controlled measurement server is connected to the controlled robot box. The DAE includes amplifier, signal multiplexing, AD converter, offset measurement and surface detection. It is connected to the Electro-optical coupler (ECO). The ECO performs the conversion from the optical into digital electric signal of the DAE and transfers data to the PC.

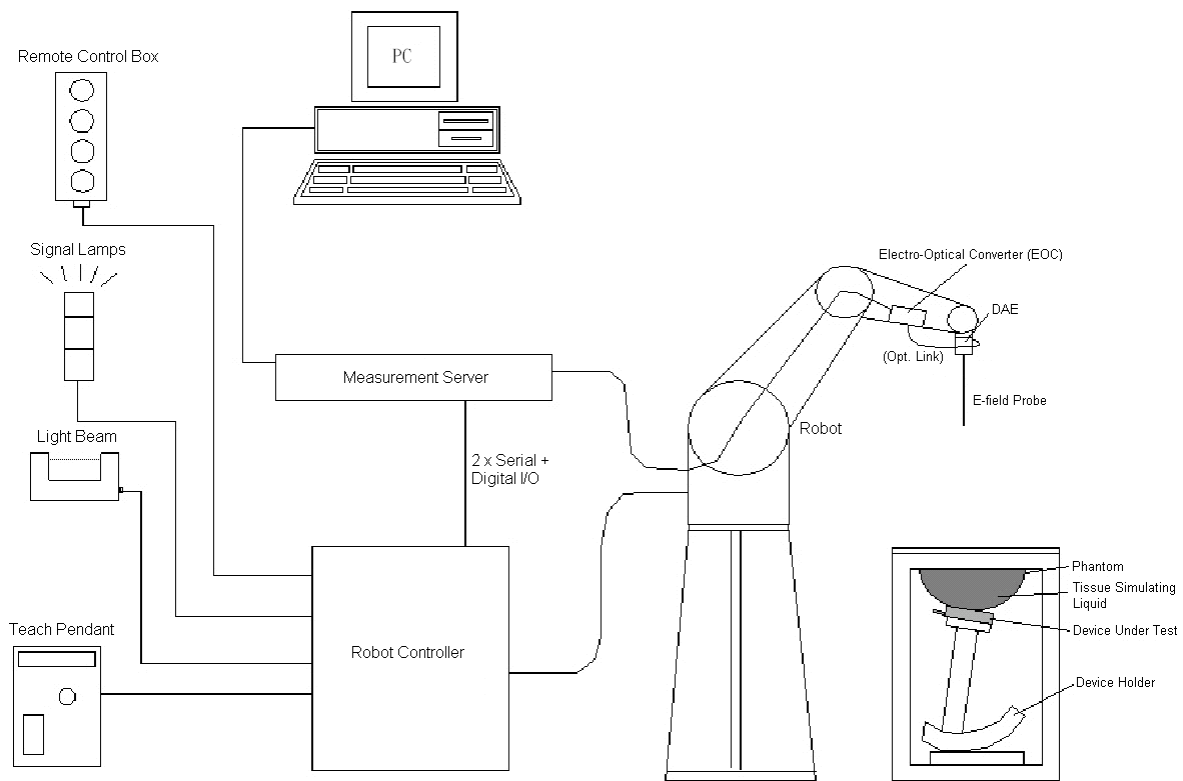


Fig-3.1 SPEAG DASY52 System Setup

3.2.1 Robot

The DASY52 systems use the high precision robots from Stäubli SA (France). For the 6-axis controller system, the robot controller version of CS8c from Stäubli is used. The Stäubli robot series have many features that are important for our application:

- High precision (repeatability ± 0.035 mm)
- High reliability (industrial design)
- Jerk-free straight movements
- Low ELF interference (the closed metallic construction shields against motor control fields)

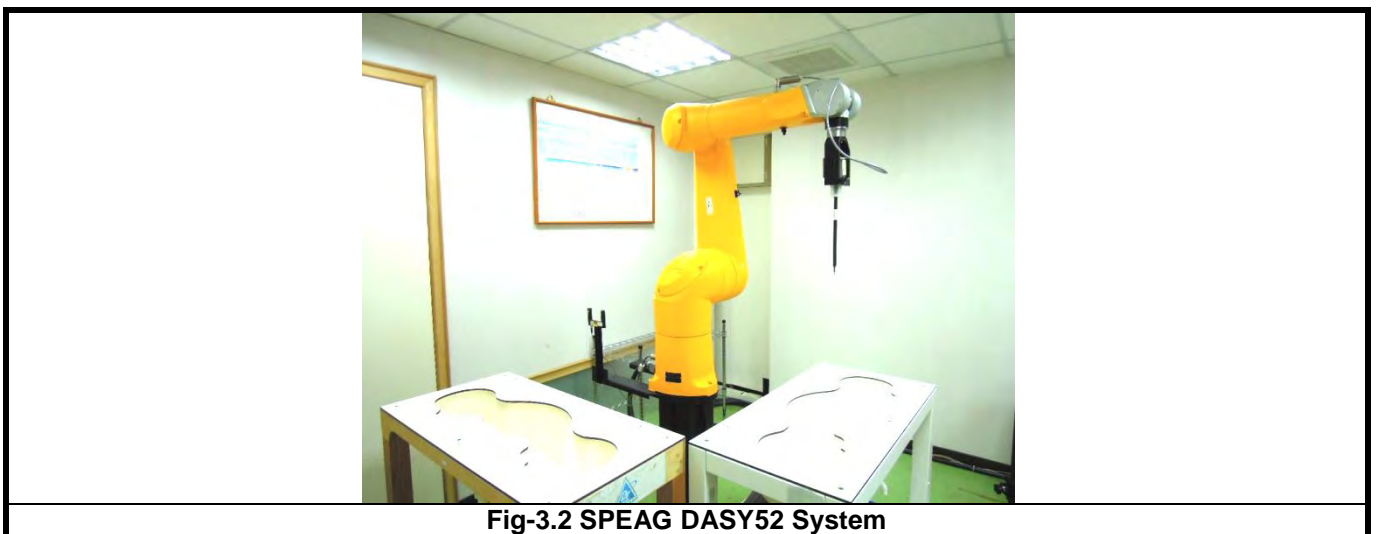




Fig-3.2 SPEAG DASY52 System


FCC SAR Test Report

3.2.2 Probes


The SAR measurement is conducted with the dosimetric probe. The probe is specially designed and calibrated for use in liquid with high permittivity. The dosimetric probe has special calibration in liquid at different frequency.

Model	EX3DV4	
Construction	Symmetrical design with triangular core. Built-in shielding against static charges. PEEK enclosure material (resistant to organic solvents, e.g., DGBE).	
Frequency	10 MHz to 6 GHz Linearity: ± 0.2 dB	
Directivity	± 0.3 dB in HSL (rotation around probe axis) ± 0.5 dB in tissue material (rotation normal to probe axis)	
Dynamic Range	10 μ W/g to 100 mW/g Linearity: ± 0.2 dB (noise: typically < 1 μ W/g)	
Dimensions	Overall length: 337 mm (Tip: 20 mm) Tip diameter: 2.5 mm (Body: 12 mm) Typical distance from probe tip to dipole centers: 1 mm	


Model	ES3DV3	
Construction	Symmetrical design with triangular core. Interleaved sensors. Built-in shielding against static charges. PEEK enclosure material (resistant to organic solvents, e.g., DGBE).	
Frequency	10 MHz to 4 GHz Linearity: ± 0.2 dB	
Directivity	± 0.2 dB in HSL (rotation around probe axis) ± 0.3 dB in tissue material (rotation normal to probe axis)	
Dynamic Range	5 μ W/g to 100 mW/g Linearity: ± 0.2 dB	
Dimensions	Overall length: 337 mm (Tip: 20 mm) Tip diameter: 3.9 mm (Body: 12 mm) Distance from probe tip to dipole centers: 2.0 mm	


Model	ET3DV6	
Construction	Symmetrical design with triangular core Built-in optical fiber for surface detection system. Built-in shielding against static charges. PEEK enclosure material (resistant to organic solvents, e.g., DGBE)	
Frequency	10 MHz to 2.3 GHz; Linearity: ± 0.2 dB	
Directivity	± 0.2 dB in TSL (rotation around probe axis) ± 0.4 dB in TSL (rotation normal to probe axis)	
Dynamic Range	5 μ W/g to 100 mW/g; Linearity: ± 0.2 dB	
Dimensions	Overall length: 337 mm (Tip: 16 mm) Tip diameter: 6.8 mm (Body: 12 mm) Distance from probe tip to dipole centers: 2.7 mm	

3.2.3 Data Acquisition Electronics (DAE)


Model	DAE3, DAE4	
Construction	Signal amplifier, multiplexer, A/D converter and control logic. Serial optical link for communication with DASY embedded system (fully remote controlled). Two step probe touch detector for mechanical surface detection and emergency robot stop.	
Measurement Range	-100 to +300 mV (16 bit resolution and two range settings: 4mV, 400mV)	
Input Offset Voltage	$< 5\mu$ V (with auto zero)	
Input Bias Current	< 50 fA	
Dimensions	60 x 60 x 68 mm	


3.2.4 Phantoms

Model	Twin SAM	
Construction	The shell corresponds to the specifications of the Specific Anthropomorphic Mannequin (SAM) phantom defined in IEEE 1528 and IEC 62209-1. It enables the dosimetric evaluation of left and right hand phone usage as well as body mounted usage at the flat phantom region. A cover prevents evaporation of the liquid. Reference markings on the phantom allow the complete setup of all predefined phantom positions and measurement grids by teaching three points with the robot.	
Material	Vinylester, glass fiber reinforced (VE-GF)	
Shell Thickness	2 ± 0.2 mm (6 ± 0.2 mm at ear point)	
Dimensions	Length: 1000 mm Width: 500 mm Height: adjustable feet	
Filling Volume	approx. 25 liters	


Model	ELI	
Construction	Phantom for compliance testing of handheld and body-mounted wireless devices in the frequency range of 30 MHz to 6 GHz. ELI is fully compatible with the IEC 62209-2 standard and all known tissue simulating liquids. ELI has been optimized regarding its performance and can be integrated into our standard phantom tables. A cover prevents evaporation of the liquid. Reference markings on the phantom allow installation of the complete setup, including all predefined phantom positions and measurement grids, by teaching three points. The phantom is compatible with all SPEAG dosimetric probes and dipoles.	
Material	Vinylester, glass fiber reinforced (VE-GF)	
Shell Thickness	2.0 ± 0.2 mm (bottom plate)	
Dimensions	Major axis: 600 mm Minor axis: 400 mm	
Filling Volume	approx. 30 liters	

3.2.5 Device Holder

Model	Mounting Device	
Construction	In combination with the Twin SAM Phantom or ELI4, the Mounting Device enables the rotation of the mounted transmitter device in spherical coordinates. Rotation point is the ear opening point. Transmitter devices can be easily and accurately positioned according to IEC, IEEE, FCC or other specifications. The device holder can be locked for positioning at different phantom sections (left head, right head, flat).	
Material	POM	

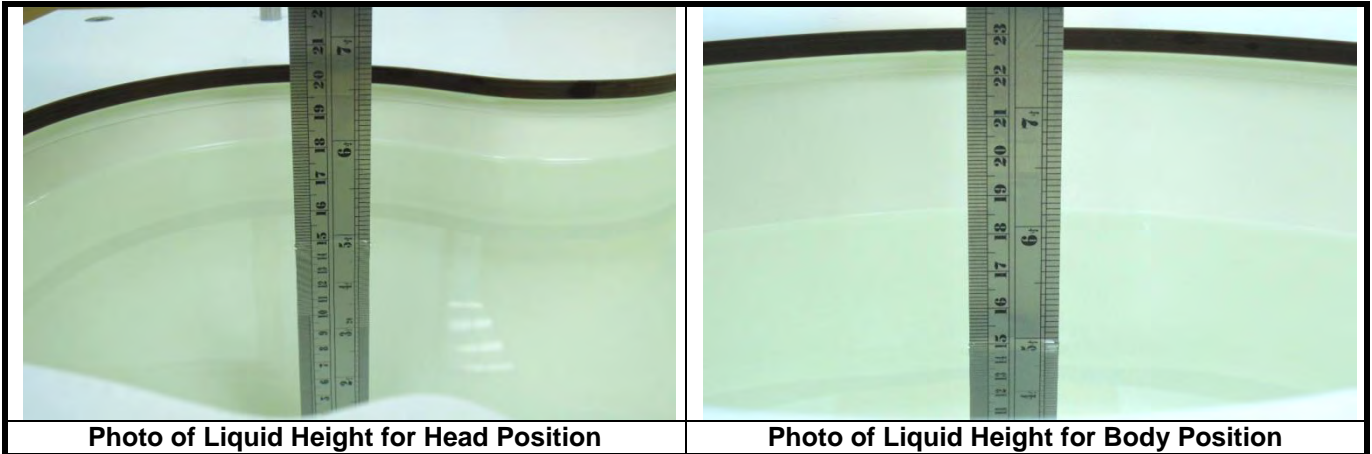
Model	Laptop Extensions Kit	
Construction	Simple but effective and easy-to-use extension for Mounting Device that facilitates the testing of larger devices according to IEC 62209-2 (e.g., laptops, cameras, etc.). It is lightweight and fits easily on the upper part of the Mounting Device in place of the phone positioner.	
Material	POM, Acrylic glass, Foam	

3.2.6 System Validation Dipoles

Model	D-Serial	
Construction	Symmetrical dipole with 1/4 balun. Enables measurement of feed point impedance with NWA. Matched for use near flat phantoms filled with tissue simulating solutions.	
Frequency	750 MHz to 5800 MHz	
Return Loss	> 20 dB	
Power Capability	> 100 W (f < 1GHz), > 40 W (f > 1GHz)	

3.2.7 Tissue Simulating Liquids

For SAR measurement of the field distribution inside the phantom, the phantom must be filled with homogeneous tissue simulating liquid to a depth of at least 15 cm. For head SAR testing, the liquid height from the ear reference point (ERP) of the phantom to the liquid top surface is larger than 15 cm. For body SAR testing, the liquid height from the center of the flat phantom to the liquid top surface is larger than 15 cm. The nominal dielectric values of the tissue simulating liquids in the phantom and the tolerance of 5% are listed in Table-3.1.



The dielectric properties of the head tissue simulating liquids are defined in IEEE 1528, and KDB 865664 D01 Appendix A. For the body tissue simulating liquids, the dielectric properties are defined in KDB 865664 D01 Appendix A. The dielectric properties of the tissue simulating liquids were verified prior to the SAR evaluation using a dielectric assessment kit and a network analyzer.

Table-3.1 Targets of Tissue Simulating Liquid

Frequency (MHz)	Target Permittivity	Range of $\pm 5\%$	Target Conductivity	Range of $\pm 5\%$
For Head				
750	41.9	39.8 ~ 44.0	0.89	0.85 ~ 0.93
835	41.5	39.4 ~ 43.6	0.90	0.86 ~ 0.95
900	41.5	39.4 ~ 43.6	0.97	0.92 ~ 1.02
1450	40.5	38.5 ~ 42.5	1.20	1.14 ~ 1.26
1640	40.3	38.3 ~ 42.3	1.29	1.23 ~ 1.35
1750	40.1	38.1 ~ 42.1	1.37	1.30 ~ 1.44
1800	40.0	38.0 ~ 42.0	1.40	1.33 ~ 1.47
1900	40.0	38.0 ~ 42.0	1.40	1.33 ~ 1.47
2000	40.0	38.0 ~ 42.0	1.40	1.33 ~ 1.47
2300	39.5	37.5 ~ 41.5	1.67	1.59 ~ 1.75
2450	39.2	37.2 ~ 41.2	1.80	1.71 ~ 1.89
2600	39.0	37.1 ~ 41.0	1.96	1.86 ~ 2.06
3500	37.9	36.0 ~ 39.8	2.91	2.76 ~ 3.06
5200	36.0	34.2 ~ 37.8	4.66	4.43 ~ 4.89
5300	35.9	34.1 ~ 37.7	4.76	4.52 ~ 5.00
5500	35.6	33.8 ~ 37.4	4.96	4.71 ~ 5.21
5600	35.5	33.7 ~ 37.3	5.07	4.82 ~ 5.32
5800	35.3	33.5 ~ 37.1	5.27	5.01 ~ 5.53
For Body				
750	55.5	52.7 ~ 58.3	0.96	0.91 ~ 1.01
835	55.2	52.4 ~ 58.0	0.97	0.92 ~ 1.02
900	55.0	52.3 ~ 57.8	1.05	1.00 ~ 1.10
1450	54.0	51.3 ~ 56.7	1.30	1.24 ~ 1.37
1640	53.8	51.1 ~ 56.5	1.40	1.33 ~ 1.47
1750	53.4	50.7 ~ 56.1	1.49	1.42 ~ 1.56
1800	53.3	50.6 ~ 56.0	1.52	1.44 ~ 1.60
1900	53.3	50.6 ~ 56.0	1.52	1.44 ~ 1.60
2000	53.3	50.6 ~ 56.0	1.52	1.44 ~ 1.60
2300	52.9	50.3 ~ 55.5	1.81	1.72 ~ 1.90
2450	52.7	50.1 ~ 55.3	1.95	1.85 ~ 2.05
2600	52.5	49.9 ~ 55.1	2.16	2.05 ~ 2.27
3500	51.3	48.7 ~ 53.9	3.31	3.14 ~ 3.48
5200	49.0	46.6 ~ 51.5	5.30	5.04 ~ 5.57
5300	48.9	46.5 ~ 51.3	5.42	5.15 ~ 5.69
5500	48.6	46.2 ~ 51.0	5.65	5.37 ~ 5.93
5600	48.5	46.1 ~ 50.9	5.77	5.48 ~ 6.06
5800	48.2	45.8 ~ 50.6	6.00	5.70 ~ 6.30

FCC SAR Test Report

The following table gives the recipes for tissue simulating liquids.

Table-3.2 Recipes of Tissue Simulating Liquid

Tissue Type	Bactericide	DGBE	HEC	NaCl	Sucrose	Triton X-100	Water	Diethylene Glycol Mono-hexylether
H750	0.2	-	0.2	1.5	56.0	-	42.1	-
H835	0.2	-	0.2	1.5	57.0	-	41.1	-
H900	0.2	-	0.2	1.4	58.0	-	40.2	-
H1450	-	43.3	-	0.6	-	-	56.1	-
H1640	-	45.8	-	0.5	-	-	53.7	-
H1750	-	47.0	-	0.4	-	-	52.6	-
H1800	-	44.5	-	0.3	-	-	55.2	-
H1900	-	44.5	-	0.2	-	-	55.3	-
H2000	-	44.5	-	0.1	-	-	55.4	-
H2300	-	44.9	-	0.1	-	-	55.0	-
H2450	-	45.0	-	0.1	-	-	54.9	-
H2600	-	45.1	-	0.1	-	-	54.8	-
H3500	-	8.0	-	0.2	-	20.0	71.8	-
H5G	-	-	-	-	-	17.2	65.5	17.3
B750	0.2	-	0.2	0.8	48.8	-	50.0	-
B835	0.2	-	0.2	0.9	48.5	-	50.2	-
B900	0.2	-	0.2	0.9	48.2	-	50.5	-
B1450	-	34.0	-	0.3	-	-	65.7	-
B1640	-	32.5	-	0.3	-	-	67.2	-
B1750	-	31.0	-	0.2	-	-	68.8	-
B1800	-	29.5	-	0.4	-	-	70.1	-
B1900	-	29.5	-	0.3	-	-	70.2	-
B2000	-	30.0	-	0.2	-	-	69.8	-
B2300	-	31.0	-	0.1	-	-	68.9	-
B2450	-	31.4	-	0.1	-	-	68.5	-
B2600	-	31.8	-	0.1	-	-	68.1	-
B3500	-	28.8	-	0.1	-	-	71.1	-
B5G	-	-	-	-	-	10.7	78.6	10.7

3.3 SAR System Verification

The system check verifies that the system operates within its specifications. It is performed daily or before every SAR measurement. The system check uses normal SAR measurements in the flat section of the phantom with a matched dipole at a specified distance. The system verification setup is shown as below.

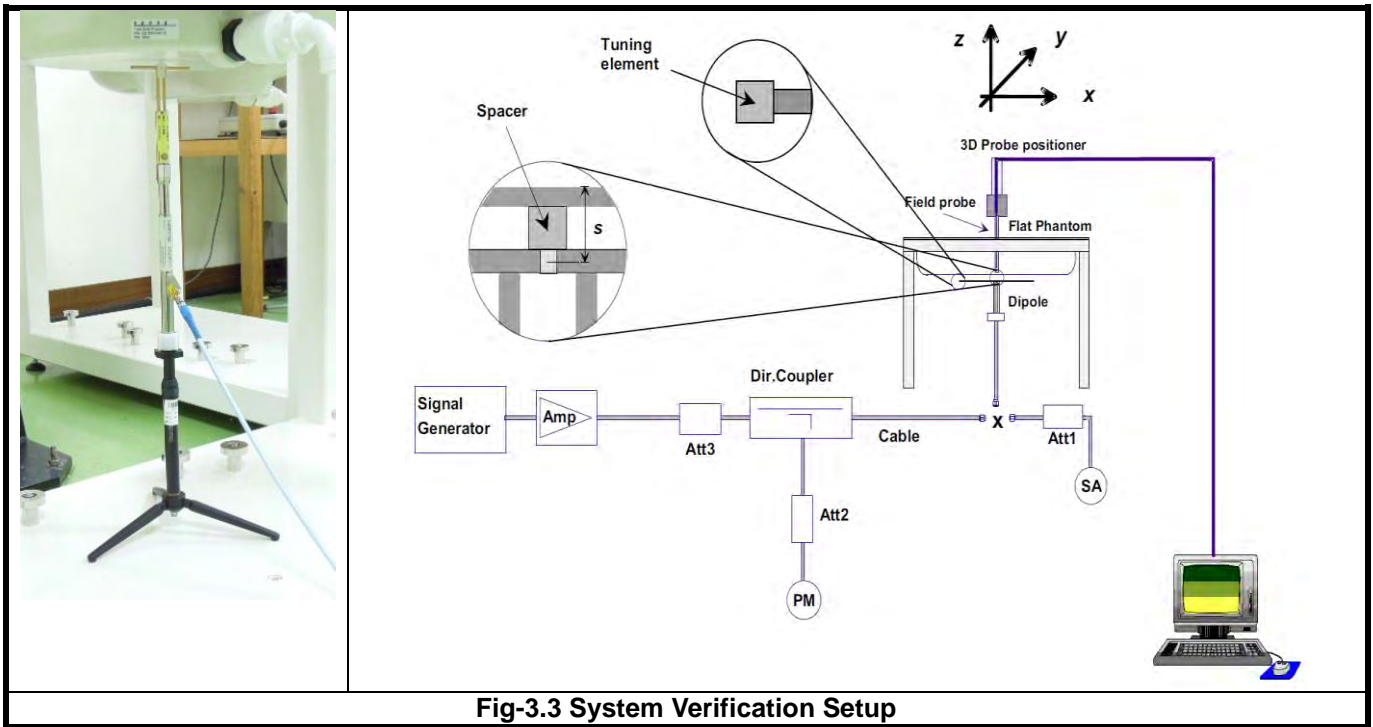


Fig-3.3 System Verification Setup

The validation dipole is placed beneath the flat phantom with the specific spacer in place. The distance spacer is touch the phantom surface with a light pressure at the reference marking and be oriented parallel to the long side of the phantom. The spectrum analyzer measures the forward power at the location of the system check dipole connector. The signal generator is adjusted for the desired forward power (250 mW is used for 700 MHz to 3 GHz, 100 mW is used for 3.5 GHz to 6 GHz) at the dipole connector and the power meter is read at that level. After connecting the cable to the dipole, the signal generator is readjusted for the same reading at power meter.

After system check testing, the SAR result will be normalized to 1W forward input power and compared with the reference SAR value derived from validation dipole certificate report. The deviation of system check should be within 10 %.

3.4 SAR Measurement Procedure

According to the SAR test standard, the recommended procedure for assessing the peak spatial-average SAR value consists of the following steps:

- (a) Power reference measurement
- (b) Area scan
- (c) Zoom scan
- (d) Power drift measurement

The SAR measurement procedures for each of test conditions are as follows:

- (a) Make EUT to transmit maximum output power
- (b) Measure conducted output power through RF cable
- (c) Place the EUT in the specific position of phantom
- (d) Perform SAR testing steps on the DASY system
- (e) Record the SAR value

3.4.1 Area & Zoom Scan Procedure

First Area Scan is used to locate the approximate location(s) of the local peak SAR value(s). The measurement grid within an Area Scan is defined by the grid extent, grid step size and grid offset. Next, in order to determine the EM field distribution in a three-dimensional spatial extension, Zoom Scan is required. The Zoom Scan is performed around the highest E-field value to determine the averaged SAR-distribution over 10 g. According to KDB 865664 D01, the resolution for Area and Zoom scan is specified in the table below.

Items	<= 2 GHz	2-3 GHz	3-4 GHz	4-5 GHz	5-6 GHz
Area Scan ($\Delta x, \Delta y$)	<= 15 mm	<= 12 mm	<= 12 mm	<= 10 mm	<= 10 mm
Zoom Scan ($\Delta x, \Delta y$)	<= 8 mm	<= 5 mm	<= 5 mm	<= 4 mm	<= 4 mm
Zoom Scan (Δz)	<= 5 mm	<= 5 mm	<= 4 mm	<= 3 mm	<= 2 mm
Zoom Scan Volume	>= 30 mm	>= 30 mm	>= 28 mm	>= 25 mm	>= 22 mm

Note:

When zoom scan is required and report SAR is <= 1.4 W/kg, the zoom scan resolution of $\Delta x / \Delta y$ (2-3GHz: <= 8 mm, 3-4GHz: <= 7 mm, 4-6GHz: <= 5 mm) may be applied.

3.4.2 Volume Scan Procedure

The volume scan is used for assess overlapping SAR distributions for antennas transmitting in different frequency bands. It is equivalent to an oversized zoom scan used in standalone measurements. The measurement volume will be used to enclose all the simultaneous transmitting antennas. For antennas transmitting simultaneously in different frequency bands, the volume scan is measured separately in each frequency band. In order to sum correctly to compute the 1g aggregate SAR, the EUT remain in the same test position for all measurements and all volume scan use the same spatial resolution and grid spacing. When all volume scan were completed, the software, SEMCAD postprocessor can combine and subsequently superpose these measurement data to calculating the multiband SAR.

3.4.3 Power Drift Monitoring

All SAR testing is under the EUT install full charged battery and transmit maximum output power. In DASY measurement software, the power reference measurement and power drift measurement procedures are used for monitoring the power drift of EUT during SAR test. Both these procedures measure the field at a specified reference position before and after the SAR testing. The software will calculate the field difference in dB. If the power drift more than 5%, the SAR will be retested.

3.4.4 Spatial Peak SAR Evaluation

The procedure for spatial peak SAR evaluation has been implemented according to the test standard. It can be conducted for 1g and 10g, as well as for user-specific masses. The DASY software includes all numerical procedures necessary to evaluate the spatial peak SAR value.

The base for the evaluation is a "cube" measurement. The measured volume must include the 1g and 10g cubes with the highest averaged SAR values. For that purpose, the center of the measured volume is aligned to the interpolated peak SAR value of a previously performed area scan.

The entire evaluation of the spatial peak values is performed within the post-processing engine (SEMCAD). The system always gives the maximum values for the 1g and 10g cubes. The algorithm to find the cube with highest averaged SAR is divided into the following stages:

- (a) Extraction of the measured data (grid and values) from the Zoom Scan
- (b) Calculation of the SAR value at every measurement point based on all stored data (A/D values and measurement parameters)
- (c) Generation of a high-resolution mesh within the measured volume
- (d) Interpolation of all measured values from the measurement grid to the high-resolution grid
- (e) Extrapolation of the entire 3-D field distribution to the phantom surface over the distance from sensor to surface
- (f) Calculation of the averaged SAR within masses of 1g and 10g

3.4.5 SAR Averaged Methods

In DASY, the interpolation and extrapolation are both based on the modified Quadratic Shepard's method. The interpolation scheme combines a least-square fitted function method and a weighted average method which are the two basic types of computational interpolation and approximation.

Extrapolation routines are used to obtain SAR values between the lowest measurement points and the inner phantom surface. The extrapolation distance is determined by the surface detection distance and the probe sensor offset. The uncertainty increases with the extrapolation distance. To keep the uncertainty within 1% for the 1 g and 10 g cubes, the extrapolation distance should not be larger than 5 mm.

4. SAR Measurement Evaluation

4.1 EUT Configuration and Setting

<Connections between EUT and System Simulator>

For WWAN SAR testing, the EUT was linked and controlled by base station emulator. Communication between the EUT and the emulator was established by air link. The distance between the EUT and the communicating antenna of the emulator is larger than 50 cm and the output power radiated from the emulator antenna is at least 30 dB smaller than the output power of EUT. The EUT was set from the emulator to radiate maximum output power during SAR testing.

<Considerations Related to GSM / GPRS / EDGE for Setup and Testing>

The maximum multi-slot capability supported by this device is as below.

1. This EUT is class B device
2. This EUT supports GPRS multi-slot class 33 (max. uplink: 4, max. downlink: 5, total timeslots: 6)
3. This EUT supports EDGE multi-slot class 33 (max. uplink: 4, max. downlink: 5, total timeslots: 6)

For GSM850 frequency band, the power control level is set to 5 for GSM mode and GPRS (GMSK: CS1), and set to 8 for EDGE (GMSK: MCS1, 8PSK: MCS9). For GSM1900 frequency band, the power control level is set to 0 for GSM mode and GPRS (GMSK: CS1), and set to 2 for EDGE (GMSK: MCS1, 8PSK: MCS9).

SAR test reduction for GPRS and EDGE modes is determined by the source-based time-averaged output power specified for production units, including tune-up tolerance. The data mode with highest specified time-averaged output power should be tested for SAR compliance in the applicable exposure conditions. For modes with the same specified maximum output power and tolerance, the higher number time-slot configuration should be tested.

<Considerations Related to WCDMA for Setup and Testing>

Release 6 HSUPA Data Devices

The 3G SAR test reduction procedure is applied to body SAR with 12.2 kbps RMC as the primary mode. Otherwise, body SAR for HSPA is measured with E-DCH Sub-test 5, using H-Set 1 and QPSK for FRC and a 12.2 kbps RMC configured in Test Loop Mode 1 and power control algorithm 2, according to the highest reported body SAR configuration in 12.2 kbps RMC without HSPA. When VOIP applies to head exposure, the 3G SAR test reduction procedure is applied with 12.2 kbps RMC as the primary mode. Otherwise, the same HSPA configuration used for body SAR measurements are applied to head exposure testing. Due to inner loop power control requirements in HSPA, a communication test set is required for output power and SAR tests. The 12.2 kbps RMC, FRC H-set 1 and E-DCH configurations for HSPA are configured according to the β values indicated in below.

Sub-test	β_c	β_d	β_d (SF)	β_c / β_d	$\beta_{HS}^{(1)}$	β_{ec}	$\beta_{ed}^{(4)(5)}$	β_{ed} (SF)	β_{ed} (Codes)	CM ⁽²⁾ (dB)	MPR ⁽²⁾⁽⁶⁾ (dB)	AG ⁽⁵⁾ Index	E-TFCI
1	11/15 ⁽³⁾	15/15 ⁽³⁾	64	11/15 ⁽³⁾	22/15	209/225	1309/225	4	1	1.0	0.0	20	75
2	6/15	15/15	64	6/15	12/15	12/15	94/75	4	1	3.0	2.0	12	67
3	15/15	9/15	64	15/9	30/15	30/15	β_{ed1} : 47/15 β_{ed2} : 47/15	4	2	2.0	1.0	15	92
4	2/15	15/15	64	2/15	4/15	2/15	56/75	4	1	3.0	2.0	17	71
5	15/15	0	-	-	5/15	5/15	47/15	4	1	1.0	0.0	12	67

Note 1: For sub-test 1 to 4, Δ_{ACK} , Δ_{NACK} and $\Delta_{COI} = 30/15$ with $\beta_{HS} = 30/15 * \beta_c$. For sub-test 5, Δ_{ACK} , Δ_{NACK} and $\Delta_{COI} = 5/15$ with $\beta_{HS} = 5/15 * \beta_c$.
Note 2: CM = 1 for $\beta_c/\beta_d = 12/15$, $\beta_{HS}/\beta_c = 24/15$. For all other combinations of DPDCH, DPCCH, HS-DPCCH, E-DPDCH and E-DPCCH the MPR is based on the relative CM difference.
Note 3: For subtest 1 the β_c/β_d ratio of 11/15 for the TFC during the measurement period (TF1, TF0) is achieved by setting the signalled gain factors for the reference TFC (TF1, TF1) to $\beta_c = 10/15$ and $\beta_d = 15/15$.
Note 4: In case of testing by UE using E-DPDCH Physical Layer category 1, Sub-test 3 is omitted according to TS25.306 Table 5.1g.
Note 5: β_{ed} can not be set directly; it is set by Absolute Grant Value.
Note 6: For subtests 2, 3 and 4, UE may perform E-DPDCH power scaling at max power which could results in slightly smaller MPR values.

HSPA+ SAR Guidance

The 3G SAR test reduction procedure is applied to HSPA+ (uplink) with 12.2 kbps RMC as the primary mode. Otherwise, when SAR is required for Rel. 6 HSPA, SAR is required for Rel. 7 HSPA+. Power is measured for HSPA+ that supports uplink 16QAM according to configurations in Table C.11.1.4 of 3GPP TS 34.121-1 to determine SAR test reduction.

Sub-test	$\beta_c^{(3)}$	β_d	$\beta_{HS}^{(1)}$	β_{ec}	$\beta_{ed}^{(4)}$ (2xSF2)	$\beta_{ed}^{(4)}$ (2xSF4)	CM ⁽²⁾ (dB)	MPR ⁽²⁾ (dB)	AG ⁽⁴⁾ Index	E-TFCI ⁽⁵⁾	E-TFCI (boost)
1	1	0	30/15	30/15	β_{ed1} : 30/15 β_{ed2} : 30/15	β_{ed3} : 24/15 β_{ed4} : 24/15	3.5	2.5	14	105	105

Note 1: Δ_{ACK} , Δ_{NACK} and $\Delta_{COI} = 30/15$ with $\beta_{HS} = 30/15 * \beta_c$.
Note 2: CM = 3.5 and the MPR is based on the relative CM difference, MPR = MAX(CM-1,0).
Note 3: DPDCH is not configured, therefore the β_c is set to 1 and $\beta_d = 0$ by default.
Note 4: β_{ed} can not be set directly; it is set by Absolute Grant Value.
Note 5: All the sub-tests require the UE to transmit 2SF2+2SF4 16QAM EDCH and they apply for UE using E-DPDCH category 7. E-DCH TTI is set to 2ms TTI and E-DCH table index = 2. To support these E-DCH configurations DPDCH is not allocated. The UE is signalled to use the extrapolation algorithm.

FCC SAR Test Report

DC-HSDPA SAR Guidance

The 3G SAR test reduction procedure is applied to DC-HSDPA with 12.2 kbps RMC as the primary mode. Otherwise, when SAR is required for Rel. 5 HSDPA, SAR is required for Rel. 8 DC-HSDPA. Power is measured for DC-HSDPA according to the H-Set 12, FRC configuration in Table C.8.1.12 of 3GPP TS 34.121-1 to determine SAR test reduction. A primary and a secondary serving HS-DSCH Cell are required to perform the power measurement and for the results to be acceptable.

<Considerations Related to LTE for Setup and Testing>

This device contains LTE transmitter which follows 3GPP standards, is category 3, supports both QPSK and QAM modulations, and supported LTE band and channel bandwidth is listed in below. The output power was tested per 3GPP TS 36.521-1 maximum transmit procedures for both QPSK and QAM modulation. The results please refer to section 4.6 of this report.

EUT Supported LTE Band and Channel Bandwidth						
LTE Band	BW 1.4 MHz	BW 3 MHz	BW 5 MHz	BW 10 MHz	BW 15 MHz	BW 20 MHz
2	V	V	V	V	V	V
4	V	V	V	V	V	V
5	V	V	V	V		
7			V	V	V	V
12	V	V	V	V		
13			V	V		
25	V	V	V	V	V	V
26	V	V	V	V	V	

The LTE maximum power reduction (MPR) in accordance with 3GPP TS 36.101 is active all times during LTE operation. The allowed MPR for the maximum output power is specified in below.

Modulation	Channel Bandwidth / RB Configurations						LTE MPR Setting (dB)
	BW 1.4 MHz	BW 3 MHz	BW 5 MHz	BW 10 MHz	BW 15 MHz	BW 20 MHz	
QPSK	> 5	> 4	> 8	> 12	> 16	> 18	1
16QAM	<= 5	<= 4	<= 8	<= 12	<= 16	<= 18	1
16QAM	> 5	> 4	> 8	> 12	> 16	> 18	2

Note: MPR is according to the standard and implemented in the circuit (mandatory).

In addition, the device is compliant with additional maximum power reduction (A-MPR) requirements defined in 3GPP TS 36.101 section 6.2.4 that was disabled for all FCC compliance testing.

During LTE SAR testing, the related parameters of operating band, channel bandwidth, uplink channel number, modulation type, and RB was set in base station simulator. When the EUT has registered and communicated to base station simulator, the simulator set to make EUT transmitting the maximum radiated power.

<Considerations Related to WLAN for Setup and Testing>

In general, various vendor specific external test software and chipset based internal test modes are typically used for SAR measurement. These chipset based test mode utilities are generally hardware and manufacturer dependent, and often include substantial flexibility to reconfigure or reprogram a device. A Wi-Fi device must be configured to transmit continuously at the required data rate, channel bandwidth and signal modulation, using the highest transmission duty factor supported by the test mode tools for SAR measurement. The test frequencies established using test mode must correspond to the actual channel frequencies. When 802.11 frame gaps are accounted for in the transmission, a maximum transmission duty factor of 92 - 96% is typically achievable in most test mode configurations. A minimum transmission duty factor of 85% is required to avoid certain hardware and device implementation issues related to wide range SAR scaling. In addition, a periodic transmission duty factor is required for current generation SAR systems to measure SAR correctly. The reported SAR must be scaled to 100% transmission duty factor to determine compliance at the maximum tune-up tolerance limit.

According to KDB 248227 D01, this device has installed WLAN engineering testing software which can provide continuous transmitting RF signal. During WLAN SAR testing, this device was operated to transmit continuously at the maximum transmission duty with specified transmission mode, operating frequency, lowest data rate, and maximum output power.

Initial Test Configuration

An initial test configuration is determined for OFDM transmission modes in 2.4 GHz and 5 GHz bands according to the channel bandwidth, modulation and data rate combination(s) with the highest maximum output power specified for production units in each standalone and aggregated frequency band. When the same maximum power is specified for multiple transmission modes in a frequency band, the largest channel bandwidth, lowest order modulation, lowest data rate and lowest order 802.11a/g/n/ac mode is used for SAR measurement, on the highest measured output power channel in the initial test configuration, for each frequency band.

Subsequent Test Configuration

SAR measurement requirements for the remaining 802.11 transmission mode configurations that have not been tested in the initial test configuration are determined separately for each standalone and aggregated frequency band, in each exposure condition, according to the maximum output power specified for production units. Additional power measurements may be required to determine if SAR measurements are required for subsequent highest output power channels in a subsequent test configuration. When the highest reported SAR for the initial test configuration according to the initial test position or fixed exposure position requirements, is adjusted by the ratio of the subsequent test configuration to initial test configuration specified maximum output power and the adjusted SAR is ≤ 1.2 W/kg, SAR is not required for that subsequent test configuration.

SAR Test Configuration and Channel Selection

When multiple channel bandwidth configurations in a frequency band have the same specified maximum output power, the initial test configuration is using largest channel bandwidth, lowest order modulation, lowest data rate, and lowest order 802.11 mode (i.e., 802.11a is chosen over 802.11n then 802.11ac or 802.11g is chosen over 802.11n). After an initial test configuration is determined, if multiple test channels have the same measured maximum output power, the channel chosen for SAR measurement is determined according to the following.

- 1) The channel closest to mid-band frequency is selected for SAR measurement.
- 2) For channels with equal separation from mid-band frequency; for example, high and low channels or two mid-band channels, the higher frequency (number) channel is selected for SAR measurement.

Test Reduction for U-NII-1 (5.2 GHz) and U-NII-2A (5.3 GHz) Bands

For devices that operate in both U-NII bands using the same transmitter and antenna(s), SAR test reduction is determined according to the following.

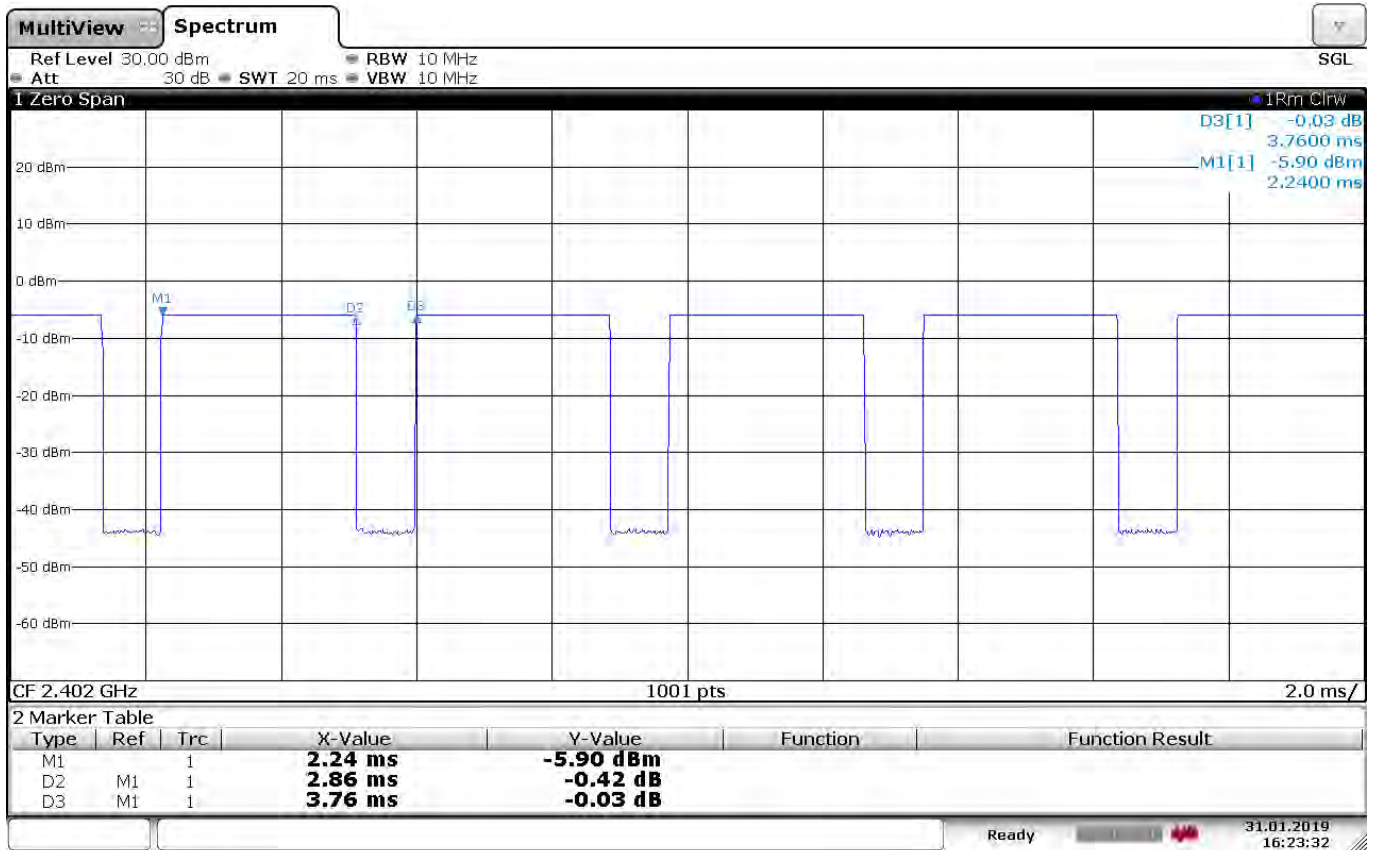
- 1) When the same maximum output power is specified for both bands, begin SAR measurement in U-NII-2A band by applying the OFDM SAR requirements. If the highest reported SAR for a test configuration is ≤ 1.2 W/kg, SAR is not required for U-NII-1 band for that configuration (802.11 mode and exposure condition).
- 2) When different maximum output power is specified for the bands, begin SAR measurement in the band with higher specified maximum output power. The highest reported SAR for the tested configuration is adjusted by the ratio of lower to higher specified maximum output power for the two bands. When the adjusted SAR is ≤ 1.2 W/kg, SAR is not required for the band with lower maximum output power in that test configuration.

<Considerations Related to Bluetooth for Setup and Testing>

This device has installed Bluetooth engineering testing software which can provide continuous transmitting RF signal. During Bluetooth SAR testing, this device was operated to transmit continuously at the maximum transmission duty with specified transmission mode, operating frequency, lowest data rate, and maximum output power.

The Bluetooth call box has been used during SAR measurement and the EUT was set to DH5 mode at the maximum output power. Its duty factor was calculated as below and the measured SAR for Bluetooth would be scaled to the 100% transmission duty factor to determine compliance.

FCC SAR Test Report



Date: 31.JAN.2019 16:23:32

Time-domain plot for Bluetooth transmission signal

The duty factor of Bluetooth signal has been calculated as following.

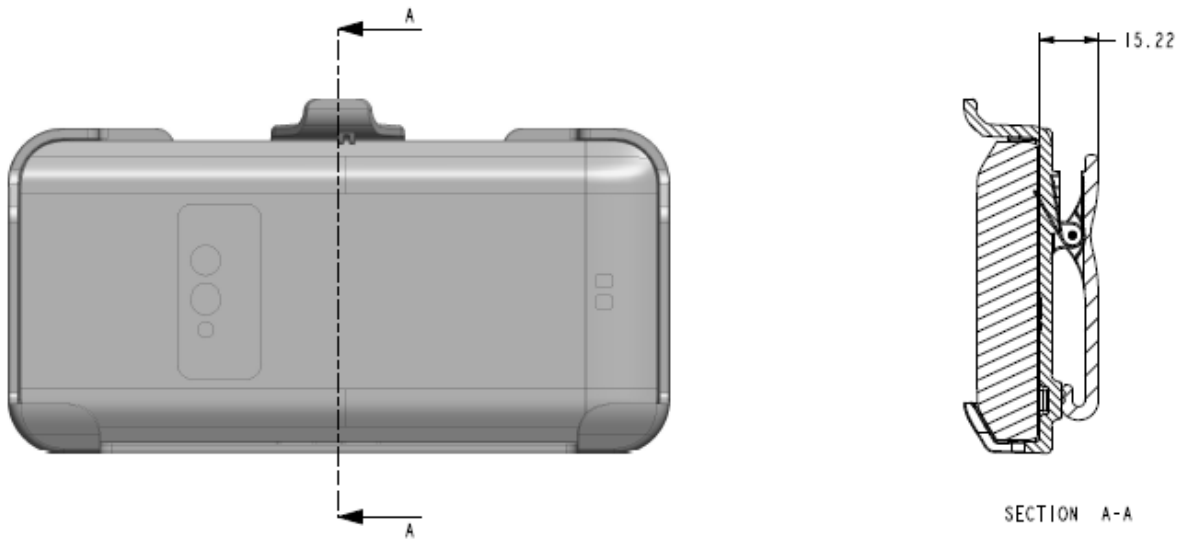
$$\text{Duty Factor} = \text{Pulse Width} / \text{Total Period} = 2.86 / 3.76 = 76.06 \%$$

4.2 EUT Testing Position

4.2.1 Body Exposure Conditions

When the device is with holster, the distance from device face surface to reference surface is 15.22mm. So separation distance of the device in SAR test is 15mm.

DEVICE ASSEMBLED VIEW



4.2.2 Extremity Exposure Conditions

SAR evaluation is required on all sides and edges with a transmitting antenna within 25 mm from that surface or edge, at 0 mm separation from a flat phantom, for the data modes, wireless technologies and frequency bands supported by the device to determine SAR compliance.

Based on the antenna location shown on appendix D of this report, the SAR testing required for Extremity mode is listed as below.

Antenna	Front Face	Rear Face	Left Side	Right Side	Top Side	Bottom Side
WWAN-0 Ant	V	V		V		V
WWAN-1 Ant	V	V	V			V
WLAN / BT Ant	V	V	V		V	

4.3 Tissue Verification

The measuring results for tissue simulating liquid are shown as below.

Test Date	Tissue Type	Frequency (MHz)	Liquid Temp. (°C)	Measured Conductivity (σ)	Measured Permittivity (ϵ_r)	Target Conductivity (σ)	Target Permittivity (ϵ_r)	Conductivity Deviation (%)	Permittivity Deviation (%)
Feb. 21, 2019	Body	750	23.4	0.975	55.099	0.96	55.5	1.56	-0.72
Feb. 27, 2019	Body	750	23.1	0.959	54.477	0.96	55.5	-0.10	-1.84
Mar. 07, 2019	Body	750	23.2	0.963	53.934	0.96	55.5	0.31	-2.82
Feb. 21, 2019	Body	835	23.4	0.983	54.141	0.97	55.2	1.34	-1.92
Feb. 28, 2019	Body	835	23.1	0.976	57.678	0.97	55.2	0.62	4.49
Feb. 21, 2019	Body	1750	23.4	1.455	51.101	1.49	53.4	-2.35	-4.31
Mar. 01, 2019	Body	1750	23.1	1.429	51.922	1.49	53.4	-4.09	-2.77
Feb. 21, 2019	Body	1900	23.4	1.584	50.723	1.52	53.3	4.21	-4.83
Mar. 01, 2019	Body	1900	23.1	1.568	51.543	1.52	53.3	3.16	-3.30
Feb. 26, 2019	Body	2450	23.3	1.997	52.558	1.95	52.7	2.41	-0.27
Feb. 21, 2019	Body	2600	23.4	2.159	51	2.16	52.5	-0.05	-2.86
Feb. 27, 2019	Body	2600	23.1	2.157	50.441	2.16	52.5	-0.14	-3.92
Feb. 26, 2019	Body	5250	23.3	5.439	47.681	5.36	48.9	1.47	-2.49
Feb. 26, 2019	Body	5600	23.3	5.922	47.005	5.77	48.5	2.63	-3.08
Feb. 26, 2019	Body	5750	23.3	6.121	46.669	5.94	48.3	3.05	-3.38

Test Date	Tissue Type	Frequency (MHz)	Liquid Temp. (°C)	Measured Conductivity (σ)	Measured Permittivity (ϵ_r)	Target Conductivity (σ)	Target Permittivity (ϵ_r)	Conductivity Deviation (%)	Permittivity Deviation (%)
Feb. 19, 2019	Extremity	750	23.5	0.963	53.923	0.96	55.5	0.31	-2.84
Feb. 27, 2019	Extremity	750	23.1	0.959	54.477	0.96	55.5	-0.10	-1.84
Mar. 07, 2019	Extremity	750	23.2	0.963	53.934	0.96	55.5	0.31	-2.82
Feb. 19, 2019	Extremity	835	23.5	0.985	55.746	0.97	55.2	1.55	0.99
Feb. 28, 2019	Extremity	835	23.1	0.976	57.678	0.97	55.2	0.62	4.49
Feb. 18, 2019	Extremity	1750	23.2	1.461	52.03	1.49	53.4	-1.95	-2.57
Mar. 01, 2019	Extremity	1750	23.1	1.429	51.922	1.49	53.4	-4.09	-2.77
Feb. 18, 2019	Extremity	1900	23.2	1.578	51.762	1.52	53.3	3.82	-2.89
Mar. 01, 2019	Extremity	1900	23.1	1.568	51.543	1.52	53.3	3.16	-3.30
Feb. 19, 2019	Extremity	2450	23.5	2.011	51.429	1.95	52.7	3.13	-2.41
Feb. 19, 2019	Extremity	2600	23.5	2.201	51.266	2.16	52.5	1.90	-2.35
Feb. 27, 2019	Extremity	2600	23.1	2.157	50.441	2.16	52.5	-0.14	-3.92
Feb. 19, 2019	Extremity	5250	23.5	5.374	46.851	5.36	48.9	0.26	-4.19
Feb. 19, 2019	Extremity	5600	23.5	5.82	46.317	5.77	48.5	0.87	-4.50
Feb. 19, 2019	Extremity	5750	23.5	5.989	46.101	5.94	48.3	0.82	-4.55

Note:

The dielectric properties of the tissue simulating liquid must be measured within 24 hours before the SAR testing and within $\pm 5\%$ of the target values. Liquid temperature during the SAR testing must be within ± 2 °C.

FCC SAR Test Report

4.4 System Validation

The SAR measurement system was validated according to procedures in KDB 865664 D01. The validation status in tabulated summary is as below.

Test Date	Probe S/N	Calibration Point		Measured Conductivity (σ)	Measured Permittivity (ϵ_r)	Validation for CW			Validation for Modulation		
						Sensitivity Range	Probe Linearity	Probe Isotropy	Modulation Type	Duty Factor	PAR
Feb. 21, 2019	3971	Body	750	0.975	55.099	Pass	Pass	Pass	N/A	N/A	N/A
Feb. 27, 2019	3971	Body	750	0.959	54.477	Pass	Pass	Pass	N/A	N/A	N/A
Mar. 07, 2019	3971	Body	750	0.963	53.934	Pass	Pass	Pass	N/A	N/A	N/A
Feb. 21, 2019	3971	Body	835	0.983	54.141	Pass	Pass	Pass	GMSK	Pass	N/A
Feb. 28, 2019	3971	Body	835	0.976	57.678	Pass	Pass	Pass	N/A	N/A	N/A
Feb. 21, 2019	3971	Body	1750	1.455	51.101	Pass	Pass	Pass	N/A	N/A	N/A
Mar. 01, 2019	3971	Body	1750	1.429	51.922	Pass	Pass	Pass	N/A	N/A	N/A
Feb. 21, 2019	3971	Body	1900	1.584	50.723	Pass	Pass	Pass	GMSK	Pass	N/A
Mar. 01, 2019	3971	Body	1900	1.568	51.543	Pass	Pass	Pass	N/A	N/A	N/A
Feb. 26, 2019	7472	Body	2450	1.997	52.558	Pass	Pass	Pass	OFDM	N/A	Pass
Feb. 21, 2019	3971	Body	2600	2.159	51	Pass	Pass	Pass	N/A	N/A	N/A
Feb. 27, 2019	3971	Body	2600	2.157	50.441	Pass	Pass	Pass	N/A	N/A	N/A
Feb. 26, 2019	7472	Body	5250	5.439	47.681	Pass	Pass	Pass	OFDM	N/A	Pass
Feb. 26, 2019	7472	Body	5600	5.922	47.005	Pass	Pass	Pass	OFDM	N/A	Pass
Feb. 26, 2019	7472	Body	5750	6.121	46.669	Pass	Pass	Pass	OFDM	N/A	Pass

Test Date	Probe S/N	Calibration Point		Measured Conductivity (σ)	Measured Permittivity (ϵ_r)	Validation for CW			Validation for Modulation		
						Sensitivity Range	Probe Linearity	Probe Isotropy	Modulation Type	Duty Factor	PAR
Feb. 19, 2019	7472	Extremity	750	0.963	53.923	Pass	Pass	Pass	N/A	N/A	N/A
Feb. 27, 2019	3971	Extremity	750	0.959	54.477	Pass	Pass	Pass	N/A	N/A	N/A
Mar. 07, 2019	3971	Extremity	750	0.963	53.934	Pass	Pass	Pass	N/A	N/A	N/A
Feb. 19, 2019	7472	Extremity	835	0.985	55.746	Pass	Pass	Pass	GMSK	Pass	N/A
Feb. 28, 2019	3971	Extremity	835	0.976	57.678	Pass	Pass	Pass	N/A	N/A	N/A
Feb. 18, 2019	7472	Extremity	1750	1.461	52.03	Pass	Pass	Pass	N/A	N/A	N/A
Mar. 01, 2019	3971	Extremity	1750	1.429	51.922	Pass	Pass	Pass	N/A	N/A	N/A
Feb. 18, 2019	7472	Extremity	1900	1.578	51.762	Pass	Pass	Pass	GMSK	Pass	N/A
Mar. 01, 2019	3971	Extremity	1900	1.568	51.543	Pass	Pass	Pass	N/A	N/A	N/A
Feb. 19, 2019	7472	Extremity	2450	2.011	51.429	Pass	Pass	Pass	OFDM	N/A	Pass
Feb. 19, 2019	1431	Extremity	2600	2.201	51.266	Pass	Pass	Pass	N/A	N/A	N/A
Feb. 27, 2019	3971	Extremity	2600	2.157	50.441	Pass	Pass	Pass	N/A	N/A	N/A
Feb. 19, 2019	7472	Extremity	5250	5.374	46.851	Pass	Pass	Pass	OFDM	N/A	Pass
Feb. 19, 2019	7472	Extremity	5600	5.82	46.317	Pass	Pass	Pass	OFDM	N/A	Pass
Feb. 19, 2019	7472	Extremity	5750	5.989	46.101	Pass	Pass	Pass	OFDM	N/A	Pass

4.5 System Verification

The measuring result for system verification is tabulated as below.

Test Date	Mode	Frequency (MHz)	1W Target SAR-1g (W/kg)	Measured SAR-1g (W/kg)	Normalized to 1W SAR-1g (W/kg)	Deviation (%)	Dipole S/N	Probe S/N	DAE S/N
Feb. 21, 2019	Body	750	8.62	2.27	9.08	5.34	1013	3971	861
Feb. 27, 2019	Body	750	8.62	2.3	9.20	6.73	1013	3971	861
Mar. 07, 2019	Body	750	8.62	2.24	8.96	3.94	1013	3971	861
Feb. 21, 2019	Body	835	9.64	2.54	10.16	5.39	4d121	3971	861
Feb. 28, 2019	Body	835	9.64	2.42	9.68	0.41	4d121	3971	861
Feb. 21, 2019	Body	1750	36.90	9.15	36.60	-0.81	1055	3971	861
Mar. 01, 2019	Body	1750	36.90	8.91	35.64	-3.41	1055	3971	861
Feb. 21, 2019	Body	1900	40.20	10.5	42.00	4.48	5d018	3971	861
Mar. 01, 2019	Body	1900	40.20	10.1	40.40	0.50	5d018	3971	861
Feb. 26, 2019	Body	2450	50.50	12.2	48.80	-3.37	737	7472	1431
Feb. 21, 2019	Body	2600	55.30	13	52.00	-5.97	1020	3971	861
Feb. 27, 2019	Body	2600	55.30	13.5	54.00	-2.35	1020	3971	861
Feb. 26, 2019	Body	5250	74.90	7.77	77.70	3.74	1019	7472	1431
Feb. 26, 2019	Body	5600	79.30	7.41	74.10	-6.56	1019	7472	1431
Feb. 26, 2019	Body	5750	74.50	7.67	76.70	2.95	1019	7472	1431

Test Date	Mode	Frequency (MHz)	1W Target SAR-10g (W/kg)	Measured SAR-10g (W/kg)	Normalized to 1W SAR-10g (W/kg)	Deviation (%)	Dipole S/N	Probe S/N	DAE S/N
Feb. 19, 2019	Extremity	750	5.71	1.5	6.00	5.08	1013	7472	1431
Feb. 27, 2019	Extremity	750	5.71	1.49	5.96	4.38	1013	3971	861
Mar. 07, 2019	Extremity	750	5.71	1.46	5.84	2.28	1013	3971	861
Feb. 19, 2019	Extremity	835	6.32	1.63	6.52	3.16	4d121	7472	1431
Feb. 28, 2019	Extremity	835	6.32	1.55	6.20	-1.90	4d121	3971	861
Feb. 18, 2019	Extremity	1750	19.70	4.93	19.72	0.10	1055	7472	1431
Mar. 01, 2019	Extremity	1750	19.70	4.67	18.68	-5.18	1055	3971	861
Feb. 18, 2019	Extremity	1900	21.40	5.43	21.72	1.50	5d018	7472	1431
Mar. 01, 2019	Extremity	1900	21.40	5.17	20.68	-3.36	5d018	3971	861
Feb. 19, 2019	Extremity	2450	23.80	5.51	22.04	-7.39	737	7472	1431
Feb. 19, 2019	Extremity	2600	24.70	6.06	24.24	-1.86	1020	1431	7472
Feb. 27, 2019	Extremity	2600	24.70	5.99	23.96	-3.00	1020	3971	861
Feb. 19, 2019	Extremity	5250	20.80	2.16	21.60	3.85	1019	7472	1431
Feb. 19, 2019	Extremity	5600	22.20	2.22	22.20	0.00	1019	7472	1431
Feb. 19, 2019	Extremity	5750	20.80	2.22	22.20	6.73	1019	7472	1431

Note:

Comparing to the reference SAR value provided by SPEAG, the validation data should be within its specification of 10 %. The result indicates the system check can meet the variation criterion and the plots can be referred to Appendix A of this report.

4.6 Maximum Output Power

4.6.1 Maximum Target Conducted Power

The maximum conducted average power (Unit: dBm) including tune-up tolerance is shown as below.

Mode	Maximum Burst-Averaged Output Power		Maximum Frame-Averaged Output Power	
	GSM850	GSM1900	GSM850	GSM1900
GPRS (GMSK, 1Tx-slot)	33.8	30.7	24.80	21.70
GPRS (GMSK, 2Tx-slot)	32.8	29.1	26.80	23.10
GPRS (GMSK, 3Tx-slot)	30.8	27.3	26.54	23.04
GPRS (GMSK, 4Tx-slot)	29.8	26.1	26.80	23.10
EDGE (8PSK, 1Tx-slot)	27.8	26.7	18.80	17.70
EDGE (8PSK, 2Tx-slot)	27.8	26.7	21.80	20.70
EDGE (8PSK, 3Tx-slot)	27.8	26.7	23.54	22.44
EDGE (8PSK, 4Tx-slot)	27.8	26.1	24.80	23.10

Note:

- SAR testing was performed on the maximum frame-averaged power mode.
- The frame-averaged power is linearly proportion to the slot number configured and it is linearly scaled the maximum burst-averaged power based on time slots. The calculated method is shown as below:

$$\text{Frame-averaged power} = 10 \times \log (\text{Burst-averaged power mW} \times \text{Slot used} / 8)$$

Mode	WCDMA Band II	WCDMA Band IV	WCDMA Band V
RMC 12.2K	22.8	23.8	23.8
HSDPA / DC-HSDPA	22.2	23.2	23.8

Mode	LTE 2	LTE 4	LTE 5	LTE 7
Maximum Target Power	23.2	23.9	24.7	23.8

Mode	LTE 12	LTE 13	LTE 25	LTE 26
Maximum Target Power	24.0	24.7	23.2	24.7

FCC SAR Test Report

Mode	2.4G WLAN	5.2G WLAN	5.3G WLAN	5.6G WLAN	5.8G WLAN
802.11b	Ch.1: 16.0 Ch.6: 16.6 Ch.11: 16.0	N/A	N/A	N/A	N/A
802.11g	Ch.1: 15.3 Ch.6: 15.8 Ch.11: 11.8	N/A	N/A	N/A	N/A
802.11a	N/A	11.3	11.3	Ch.100: 10.8 Ch.116: 10.8 Ch.120: 10.8 Ch.124: 10.8 Ch.132: 10.3 Ch.140: 10.3	Ch.149: 11.1 Ch.153: 10.8 Ch.157: 10.8 Ch.161: 10.8 Ch.165: 10.5
802.11n HT20	Ch.1: 14.6 Ch.6: 14.6 Ch.11: 11.4	12.8	12.8	Ch.100: 12.3 Ch.116: 12.3 Ch.120: 12.3 Ch.124: 12.3 Ch.132: 11.3 Ch.140: 11.3	Ch.149: 11.1 Ch.153: 10.8 Ch.157: 10.8 Ch.161: 10.8 Ch.165: 10.8
802.11n HT40	N/A	Ch.38: 11.4 Ch.46: 11.8	11.8	Ch.102: 10.8 Ch.110: 11.3 Ch.118: 11.3 Ch.126: 11.3 Ch.134: 11.3	11.3

Mode	2.4G Bluetooth
Bluetooth DH	Ch.0: 10.0 Ch.39: 9.8 Ch.78: 9.2

FCC SAR Test Report

4.6.2 Measured Conducted Power Result

The measuring conducted average power (Unit: dBm) is shown as below.

Band	GSM850			GSM1900		
Channel	128	189	251	512	661	810
Frequency (MHz)	824.2	836.4	848.8	1850.2	1880.0	1909.8
Maximum Burst-Averaged Output Power						
GPRS (GMSK, 1Tx-slot)	33.18	33.34	33.31	30.33	30.66	30.56
GPRS (GMSK, 2Tx-slot)	32.27	32.43	32.40	28.72	29.06	28.95
GPRS (GMSK, 3Tx-slot)	29.73	29.89	29.86	26.37	26.70	26.60
GPRS (GMSK, 4Tx-slot)	28.69	28.85	28.82	26.05	26.03	25.98
EDGE (8PSK, 1Tx-slot)	26.75	26.91	26.88	25.96	26.29	26.19
EDGE (8PSK, 2Tx-slot)	26.67	26.83	26.80	25.80	26.13	26.03
EDGE (8PSK, 3Tx-slot)	26.49	26.65	26.62	25.67	26.00	25.90
EDGE (8PSK, 4Tx-slot)	26.31	26.47	26.44	24.35	24.68	24.58

Band	WCDMA Band II			WCDMA Band IV			WCDMA Band V			3GPP MPR (dB)
Channel	9262	9400	9538	1312	1413	1513	4132	4182	4233	
Frequency (MHz)	1852.4	1880.0	1907.6	1712.4	1732.6	1752.6	826.4	836.4	846.6	
RMC 12.2K	22.65	22.78	22.75	23.77	23.68	23.73	23.63	23.78	23.69	0-
HSDPA Subtest-1	22.05	22.07	22.14	23.02	23.08	23.05	23.48	23.70	23.76	0
HSDPA Subtest-2	22.03	22.05	22.12	23.01	23.07	23.04	23.43	23.72	23.63	0
HSDPA Subtest-3	21.61	21.63	21.70	22.54	22.60	22.57	23.11	23.24	23.17	0.5
HSDPA Subtest-4	21.57	21.59	21.66	22.53	22.59	22.56	22.91	23.24	23.15	0.5
DC-HSDPA Subtest-1	22.01	22.03	22.10	23.00	23.06	23.03	23.42	23.64	23.70	0
DC-HSDPA Subtest-2	21.99	22.01	22.08	22.99	23.05	23.02	23.37	23.66	23.57	0
DC-HSDPA Subtest-3	21.57	21.59	21.66	22.52	22.58	22.55	23.05	23.18	23.11	0.5
DC-HSDPA Subtest-4	21.53	21.55	21.62	22.51	22.57	22.54	22.85	23.18	23.09	0.5
HSUPA Subtest-1	22.06	22.08	22.14	22.80	22.84	22.82	23.01	23.51	23.54	0
HSUPA Subtest-2	20.06	20.08	20.15	21.07	21.11	21.08	21.69	21.70	21.78	2
HSUPA Subtest-3	21.13	21.15	21.10	22.09	22.13	22.10	22.61	22.66	22.65	1
HSUPA Subtest-4	20.04	20.06	20.13	21.07	21.11	21.05	21.60	21.64	21.75	2
HSUPA Subtest-5	22.16	22.18	22.15	23.09	23.13	23.11	23.60	23.70	23.60	0

FCC SAR Test Report

LTE Band 2															
BW	MCS Index	RB Size	RB Offset	Low	Mid	High	3GPP MPR (dB)	BW	MCS Index	RB Size	RB Offset	Low	Mid	High	3GPP MPR (dB)
		Channel		18700	18900	19100				Channel		18675	18900	19125	
		Frequency (MHz)		1860.0	1880.0	1900.0				Frequency (MHz)		1857.5	1880.0	1902.5	
20M	QPSK	1	0	22.47	22.98	22.97	0	15M	QPSK	1	0	22.45	22.77	22.74	0
		1	50	21.82	22.14	22.11	0			1	37	21.80	22.12	22.09	0
		1	99	22.46	22.78	22.75	0			1	74	22.44	22.76	22.73	0
		50	0	21.34	21.66	21.63	1			36	0	21.32	21.64	21.61	1
		50	25	21.17	21.49	21.46	1			36	19	21.15	21.47	21.44	1
		50	50	21.46	21.78	21.75	1			36	39	21.44	21.76	21.73	1
	100	0	21.39	21.71	21.68	1	75		0	21.37	21.69	21.66	1		
	16QAM	1	0	21.68	22.00	21.97	1		16QAM	1	0	21.66	21.98	21.95	1
		1	50	21.53	21.85	21.82	1			1	37	21.51	21.83	21.80	1
		1	99	21.77	21.88	21.74	1			1	74	21.75	21.86	21.72	1
		50	0	20.15	20.47	20.44	2			36	0	20.13	20.45	20.42	2
		50	25	20.73	20.85	20.65	2			36	19	20.71	20.83	20.63	2
		50	50	20.49	20.81	20.78	2			36	39	20.47	20.79	20.76	2
		100	0	20.48	20.80	20.77	2			75	0	20.46	20.78	20.75	2
10M		QPSK	1	0	22.42	22.74	22.71	0		5M	QPSK	1	0	22.40	22.72
	1		24	21.77	22.09	22.06	0	1	12			21.75	22.07	22.04	0
	1		49	22.41	22.73	22.70	0	1	24			22.39	22.71	22.68	0
	25		0	21.29	21.61	21.58	1	12	0			21.27	21.59	21.56	1
	25		12	21.12	21.44	21.41	1	12	6			21.10	21.42	21.39	1
	25		25	21.41	21.73	21.70	1	12	13			21.39	21.71	21.68	1
	50	0	21.34	21.66	21.63	1	25	0	21.32		21.64	21.61	1		
	16QAM	1	0	21.63	21.95	21.92	1	16QAM	1		0	21.61	21.93	21.90	1
		1	24	21.48	21.80	21.77	1		1		12	21.46	21.78	21.75	1
		1	49	21.72	21.83	21.69	1		1		24	21.70	21.81	21.67	1
		25	0	20.10	20.42	20.39	2		12		0	20.08	20.40	20.37	2
		25	12	20.68	20.80	20.60	2		12		6	20.66	20.78	20.58	2
		25	25	20.44	20.76	20.73	2		12		13	20.42	20.74	20.71	2
		50	0	20.43	20.75	20.72	2		25		0	20.41	20.73	20.70	2
3M		QPSK	1	0	22.37	22.69	22.66		0	1.4M	QPSK	1	0	22.35	22.67
	1		7	21.72	22.04	22.01	0	1	2			21.70	22.02	21.99	0
	1		14	22.36	22.68	22.65	0	1	5			22.34	22.66	22.63	0
	8		0	21.24	21.56	21.53	1	3	0			22.33	22.65	22.62	0
	8		3	21.07	21.39	21.36	1	3	1			21.68	22.00	21.97	0
	8		7	21.36	21.68	21.65	1	3	3			22.32	22.64	22.61	0
	15	0	21.29	21.61	21.58	1	6	0	21.27		21.59	21.56	1		
	16QAM	1	0	21.58	21.90	21.87	1	16QAM	1		0	21.33	21.65	21.62	1
		1	7	21.43	21.75	21.72	1		1		2	20.68	21.00	20.97	1
		1	14	21.67	21.78	21.64	1		1		5	21.32	21.64	21.61	1
		8	0	20.05	20.37	20.34	2		3		0	21.31	21.63	21.60	1
		8	3	20.63	20.75	20.55	2		3		1	20.66	20.98	20.95	1
		8	7	20.39	20.71	20.68	2		3		3	21.30	21.62	21.59	1
		15	0	20.38	20.70	20.67	2		6		0	20.25	20.57	20.54	2

FCC SAR Test Report

LTE Band 4															
BW	MCS Index	RB Size	RB Offset	Low	Mid	High	3GPP MPR (dB)	BW	MCS Index	RB Size	RB Offset	Low	Mid	High	3GPP MPR (dB)
		Channel		20050	20175	20300				Channel		20025	20175	20325	
		Frequency (MHz)		1720.0	1732.5	1745.0				Frequency (MHz)		1717.5	1732.5	1747.5	
20M	QPSK	1	0	23.81	23.82	23.83	0	15M	QPSK	1	0	23.79	23.80	23.86	0
		1	50	23.68	23.69	23.75	0			1	37	23.66	23.67	23.73	0
		1	99	23.62	23.63	23.69	0			1	74	23.60	23.61	23.67	0
		50	0	22.82	22.83	22.90	1			36	0	22.80	22.81	22.87	1
		50	25	22.85	22.86	22.89	1			36	19	22.83	22.84	22.88	1
		50	50	22.86	22.87	22.88	1			36	39	22.84	22.85	22.90	1
	100	0	22.81	22.85	22.87	1	75		0	22.79	22.83	22.88	1		
	16QAM	1	0	22.87	22.88	22.80	1		16QAM	1	0	22.85	22.86	22.78	1
		1	50	22.86	22.87	22.83	1			1	37	22.84	22.85	22.81	1
		1	99	22.77	22.78	22.84	1			1	74	22.75	22.76	22.82	1
		50	0	21.87	21.88	21.75	2			36	0	21.85	21.86	21.73	2
		50	25	21.84	21.85	21.76	2			36	19	21.82	21.83	21.74	2
		50	50	21.79	21.80	21.86	2			36	39	21.77	21.78	21.84	2
		100	0	21.86	21.87	21.75	2			75	0	21.84	21.85	21.73	2
10M		QPSK	1	0	23.76	23.77	23.83	0		5M	QPSK	1	0	23.75	23.76
	1		24	23.63	23.64	23.70	0	1	12			23.62	23.63	23.69	0
	1		49	23.57	23.58	23.64	0	1	24			23.56	23.57	23.63	0
	25		0	22.77	22.78	22.84	1	12	0			22.76	22.77	22.83	1
	25		12	22.80	22.81	22.85	1	12	6			22.79	22.80	22.84	1
	25		25	22.81	22.82	22.88	1	12	13			22.80	22.81	22.87	1
	50	0	22.76	22.80	22.88	1	25	0	22.75		22.79	22.87	1		
	16QAM	1	0	22.82	22.83	22.75	1	16QAM	1		0	22.81	22.82	22.74	1
		1	24	22.81	22.82	22.78	1		1		12	22.80	22.81	22.77	1
		1	49	22.72	22.73	22.79	1		1		24	22.71	22.72	22.78	1
		25	0	21.82	21.83	21.70	2		12		0	21.81	21.82	21.69	2
		25	12	21.79	21.80	21.71	2		12		6	21.78	21.79	21.70	2
		25	25	21.74	21.75	21.81	2		12		13	21.73	21.74	21.80	2
		50	0	21.81	21.82	21.70	2		25		0	21.80	21.81	21.69	2
3M		QPSK	1	0	23.72	23.73	23.79		0	1.4M	QPSK	1	0	23.68	23.69
	1		7	23.59	23.60	23.66	0	1	2			23.55	23.56	23.62	0
	1		14	23.53	23.54	23.60	0	1	5			23.49	23.50	23.56	0
	8		0	22.73	22.74	22.80	1	3	0			23.66	23.67	23.73	0
	8		3	22.76	22.77	22.81	1	3	1			23.53	23.54	23.60	0
	8		7	22.77	22.78	22.84	1	3	3			23.47	23.48	23.54	0
	15	0	22.72	22.76	22.80	1	6	0	22.68		22.72	22.88	1		
	16QAM	1	0	22.78	22.79	22.71	1	16QAM	1		0	22.65	22.66	22.72	1
		1	7	22.77	22.78	22.74	1		1		2	22.52	22.53	22.59	1
		1	14	22.68	22.69	22.75	1		1		5	22.46	22.47	22.53	1
		8	0	21.78	21.79	21.66	2		3		0	22.63	22.64	22.70	1
		8	3	21.75	21.76	21.67	2		3		1	22.50	22.51	22.57	1
		8	7	21.70	21.71	21.77	2		3		3	22.44	22.45	22.51	1
		15	0	21.77	21.78	21.66	2		6		0	21.65	21.69	21.85	2

FCC SAR Test Report

LTE Band 5															
BW	MCS Index	RB Size	RB Offset	Low	Mid	High	3GPP MPR (dB)	BW	MCS Index	RB Size	RB Offset	Low	Mid	High	3GPP MPR (dB)
		Channel		20450	20525	20600				Channel		20425	20525	20625	
		Frequency (MHz)		829.0	836.5	844.0				Frequency (MHz)		826.5	836.5	846.5	
10M	QPSK	1	0	23.27	23.52	23.47	0	5M	QPSK	1	0	23.26	23.39	23.35	0
		1	24	23.15	23.40	23.35	0			1	12	22.93	23.33	23.16	0
		1	49	23.14	23.39	23.34	0			1	24	22.93	23.28	23.28	0
		25	0	22.33	22.58	22.53	1			12	0	22.20	22.41	22.42	1
		25	12	22.06	22.31	22.26	1			12	6	21.88	22.26	22.24	1
		25	25	22.06	22.31	22.26	1			12	13	21.92	22.14	22.07	1
	50	0	22.18	22.43	22.38	1	25		0	22.11	22.36	22.18	1		
	16QAM	1	0	22.73	22.98	22.93	1		16QAM	1	0	22.68	22.84	22.79	1
		1	24	22.27	22.52	22.47	1			1	12	22.21	22.43	22.32	1
		1	49	22.43	22.68	22.63	1			1	24	22.23	22.50	22.57	1
		25	0	21.49	21.74	21.69	2			12	0	21.33	21.66	21.60	2
		25	12	20.93	21.18	21.13	2			12	6	20.72	21.12	21.02	2
		25	25	21.13	21.38	21.33	2			12	13	21.03	21.25	21.32	2
		50	0	21.24	21.49	21.44	2			25	0	21.10	21.39	21.37	2

LTE Band 7															
BW	MCS Index	RB Size	RB Offset	Low	Mid	High	3GPP MPR (dB)	BW	MCS Index	RB Size	RB Offset	Low	Mid	High	3GPP MPR (dB)
		Channel		20850	21100	21350				Channel		20825	21100	21375	
		Frequency (MHz)		2510.0	2535.0	2560.0				Frequency (MHz)		2507.5	2535.0	2562.5	
20M	QPSK	1	0	23.34	23.77	23.73	0	15M	QPSK	1	0	23.32	23.75	23.71	0
		1	50	22.99	23.52	23.38	0			1	37	22.97	23.50	23.36	0
		1	99	22.96	23.49	23.35	0			1	74	22.94	23.47	23.33	0
		50	0	22.14	22.67	22.53	1			36	0	22.12	22.65	22.51	1
		50	25	22.01	22.54	22.40	1			36	19	21.99	22.52	22.38	1
		50	50	22.43	22.68	22.66	1			36	39	22.41	22.78	22.64	1
	100	0	22.08	22.61	22.47	1	75		0	22.06	22.59	22.45	1		
	16QAM	1	0	22.31	22.74	22.70	1		16QAM	1	0	22.29	22.72	22.68	1
		1	50	21.96	22.49	22.35	1			1	37	21.94	22.47	22.33	1
		1	99	21.93	22.46	22.32	1			1	74	21.91	22.44	22.30	1
		50	0	21.11	21.64	21.50	2			36	0	21.09	21.62	21.48	2
		50	25	20.98	21.51	21.37	2			36	19	20.96	21.49	21.35	2
		50	50	21.40	21.74	21.63	2			36	39	21.38	21.72	21.61	2
		100	0	21.05	21.58	21.44	2			75	0	21.03	21.56	21.42	2



FCC SAR Test Report

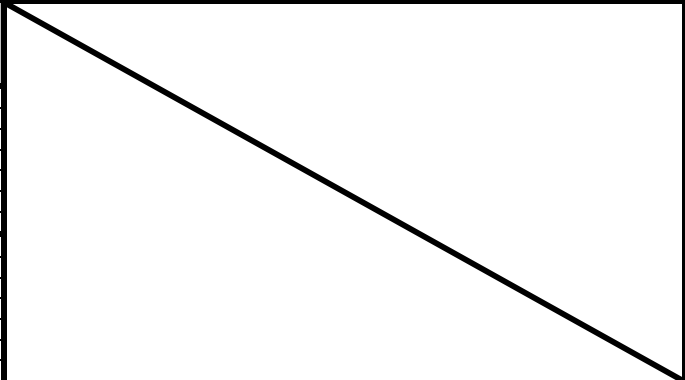
LTE Band 12															
BW	MCS Index	RB Size	RB Offset	Low	Mid	High	3GPP MPR (dB)	BW	MCS Index	RB Size	RB Offset	Low	Mid	High	3GPP MPR (dB)
		Channel		23060	23095	23130				Channel		23035	23095	23155	
		Frequency (MHz)		704.0	707.5	711.0				Frequency (MHz)		701.5	707.5	713.5	
10M	QPSK	1	0	22.61	22.85	22.84	0	5M	QPSK	1	0	22.50	22.68	22.69	0
		1	24	22.60	22.84	22.83	0			1	12	22.58	22.75	22.62	0
		1	49	22.47	22.71	22.70	0			1	24	22.38	22.55	22.49	0
		25	0	21.62	21.86	21.85	1			12	0	21.46	21.65	21.57	1
		25	12	21.70	21.94	21.93	1			12	6	21.57	21.80	21.82	1
		25	25	21.54	21.78	21.77	1			12	13	21.36	21.67	21.47	1
	50	0	21.56	21.80	21.79	1	25		0	21.47	21.74	21.55	1		
	16QAM	1	0	21.59	21.83	21.82	1		16QAM	1	0	21.47	21.71	21.63	1
		1	24	21.94	21.99	21.98	1			1	12	21.72	21.99	21.99	1
		1	49	21.68	21.92	21.91	1			1	24	21.57	21.76	21.77	1
		25	0	20.58	20.82	20.81	2			12	0	20.45	20.66	20.77	2
		25	12	20.60	20.84	20.83	2			12	6	20.47	20.69	20.61	2
		25	25	20.53	20.77	20.76	2			12	13	20.44	20.65	20.61	2
		50	0	20.57	20.81	20.80	2			25	0	20.52	20.71	20.74	2

LTE Band 13															
BW	MCS Index	RB Size	RB Offset	Low	Mid	High	3GPP MPR (dB)	BW	MCS Index	RB Size	RB Offset	Low	Mid	High	3GPP MPR (dB)
		Channel		23205	23230	23265				Channel		23205	23230	23225	
		Frequency (MHz)		700.5	707.5	714.5				Frequency (MHz)		699.7	707.5	715.3	
3M	QPSK	1	0	22.39	22.74	22.74	0	1.4M	QPSK	1	0	22.43	22.70	22.62	0
		1	7	22.45	22.63	22.66	0			1	2	22.44	22.60	22.69	0
		1	14	22.38	22.57	22.59	0			1	5	22.30	22.54	22.59	0
		8	0	21.55	21.78	21.71	1			3	0	22.45	22.67	22.73	0
		8	3	21.69	21.70	21.77	1			3	1	22.58	22.86	22.81	0
		8	7	21.45	21.70	21.64	1			3	3	22.41	22.57	22.65	0
	15	0	21.44	21.60	21.60	1	6		0	21.39	21.69	21.58	1		
	16QAM	1	0	21.51	21.64	21.78	1		16QAM	1	0	21.47	21.81	21.80	1
		1	7	21.86	21.98	21.99	1			1	2	21.79	21.99	21.98	1
		1	14	21.55	21.87	21.71	1			1	5	21.60	21.76	21.79	1
		8	0	20.35	20.62	20.71	2			3	0	21.44	21.69	21.63	1
		8	3	20.42	20.68	20.72	2			3	1	21.47	21.70	21.76	1
		8	7	20.44	20.56	20.62	2			3	3	21.35	21.57	21.53	1
		15	0	20.45	20.72	20.69	2			6	0	20.52	20.64	20.70	2

FCC SAR Test Report

LTE Band 25															
BW	MCS Index	RB Size	RB Offset	Low	Mid	High	3GPP MPR (dB)	BW	MCS Index	RB Size	RB Offset	Low	Mid	High	3GPP MPR (dB)
		Channel		26140	26365	26590				Channel		26115	26365	26615	
		Frequency (MHz)		1860.0	1882.5	1905.0				Frequency (MHz)		1857.5	1882.5	1907.5	
20M	QPSK	1	0	23.02	23.13	23.09	0	15M	QPSK	1	0	22.99	23.10	23.05	0
		1	50	22.83	22.94	22.89	0			1	37	22.80	22.91	22.86	0
		1	99	22.75	22.86	22.81	0			1	74	22.72	22.83	22.78	0
		50	0	21.64	21.50	21.70	1			36	0	21.61	21.72	21.67	1
		50	25	21.50	21.61	21.56	1			36	19	21.47	21.58	21.53	1
		50	50	21.39	21.75	21.45	1			36	39	21.36	21.47	21.42	1
	100	0	21.60	21.71	21.66	1	75		0	21.57	21.68	21.63	1		
	16QAM	1	0	22.04	22.15	22.10	1		16QAM	1	0	22.01	22.12	22.07	1
		1	50	21.92	22.03	21.98	1			1	37	21.89	22.00	21.95	1
		1	99	21.84	21.95	21.90	1			1	74	21.81	21.92	21.87	1
		50	0	20.56	20.67	20.62	2			36	0	20.53	20.64	20.59	2
		50	25	20.55	20.66	20.61	2			36	19	20.52	20.63	20.58	2
		50	50	20.34	20.45	20.40	2			36	39	20.31	20.42	20.37	2
		100	0	20.41	20.52	20.47	2			75	0	20.38	20.49	20.44	2
10M		QPSK	1	0	22.97	23.08	23.03	0		5M	QPSK	1	0	22.93	23.04
	1		24	22.78	22.89	22.84	0	1	12			22.74	22.85	22.80	0
	1		49	22.70	22.81	22.76	0	1	24			22.66	22.77	22.72	0
	25		0	21.59	21.70	21.65	1	12	0			21.55	21.66	21.61	1
	25		12	21.45	21.56	21.51	1	12	6			21.41	21.52	21.47	1
	25		25	21.34	21.45	21.40	1	12	13			21.30	21.41	21.36	1
	50	0	21.55	21.66	21.61	1	25	0	21.51		21.62	21.57	1		
	16QAM	1	0	21.99	22.10	22.05	1	16QAM	1		0	21.95	22.06	22.01	1
		1	24	21.87	21.98	21.93	1		1		12	21.83	21.94	21.89	1
		1	49	21.79	21.90	21.85	1		1		24	21.75	21.86	21.81	1
		25	0	20.51	20.62	20.57	2		12		0	20.47	20.58	20.53	2
		25	12	20.50	20.61	20.56	2		12		6	20.46	20.57	20.52	2
		25	25	20.29	20.40	20.35	2		12		13	20.25	20.36	20.31	2
		50	0	20.36	20.47	20.42	2		25		0	20.32	20.43	20.38	2
3M		QPSK	1	0	22.91	23.02	22.97		0	1.4M	QPSK	1	0	22.89	23.00
	1		7	22.72	22.83	22.78	0	1	2			22.70	22.81	22.76	0
	1		14	22.64	22.75	22.70	0	1	5			22.62	22.73	22.68	0
	8		0	21.53	21.64	21.59	1	3	0			22.87	22.98	22.93	0
	8		3	21.39	21.50	21.45	1	3	1			22.68	22.79	22.74	0
	8		7	21.28	21.39	21.34	1	3	3			22.60	22.71	22.66	0
	15	0	21.49	21.60	21.55	1	6	0	21.47		21.58	21.53	1		
	16QAM	1	0	21.93	22.04	21.99	1	16QAM	1		0	21.86	21.97	21.92	1
		1	7	21.81	21.92	21.87	1		1		2	21.67	21.78	21.73	1
		1	14	21.73	21.84	21.79	1		1		5	21.59	21.70	21.65	1
		8	0	20.45	20.56	20.51	2		3		0	21.84	21.95	21.90	1
		8	3	20.44	20.55	20.50	2		3		1	21.65	21.76	21.71	1
		8	7	20.23	20.34	20.29	2		3		3	21.57	21.68	21.63	1
		15	0	20.30	20.41	20.36	2		6		0	20.44	20.55	20.50	2

FCC SAR Test Report

LTE Band 26															
BW	MCS Index	RB Size	RB Offset	Low	Mid	High	3GPP MPR (dB)	BW	MCS Index	RB Size	RB Offset	Low	Mid	High	3GPP MPR (dB)
		Channel		26765	26865	26965				Channel		26740	26865	26990	
		Frequency (MHz)		821.5	831.5	841.5				Frequency (MHz)		819.0	831.5	844.0	
15M	QPSK	1	0	23.33	23.48	23.47	0	10M	QPSK	1	0	23.30	23.43	23.47	0
		1	37	22.92	23.07	23.06	0			1	24	22.87	23.07	22.98	0
		1	74	23.20	23.35	23.34	0			1	49	23.14	23.31	23.26	0
		36	0	22.11	22.26	22.25	1			25	0	22.04	22.22	22.25	1
		36	19	22.02	22.17	22.16	1			25	12	21.94	22.13	22.10	1
		36	39	22.15	22.30	22.29	1			25	25	22.06	22.23	22.28	1
		75	0	22.14	22.29	22.28	1			50	0	22.10	22.26	22.22	1
	16QAM	1	0	22.25	22.40	22.39	1		1	0	22.18	22.39	22.29	1	
		1	37	21.74	21.89	21.88	1		1	24	21.79	21.80	21.85	1	
		1	74	22.02	22.17	22.16	1		1	49	22.00	22.12	22.16	1	
		36	0	21.13	21.28	21.27	2		25	0	21.08	21.21	21.23	2	
		36	19	21.06	21.21	21.20	2		25	12	20.97	21.13	21.15	2	
		36	39	21.17	21.32	21.31	2		25	25	21.11	21.26	21.23	2	
		75	0	21.07	21.22	21.21	2		50	0	21.01	21.13	21.12	2	
BW	MCS Index	RB Size	RB Offset	Low	Mid	High	3GPP MPR (dB)	BW	MCS Index	RB Size	RB Offset	Low	Mid	High	3GPP MPR (dB)
		Channel		26715	26865	27015				Channel		26705	26865	27025	
		Frequency (MHz)		816.5	831.5	846.5				Frequency (MHz)		815.5	831.5	847.5	
5M	QPSK	1	0	23.16	23.40	23.22	0	3M	QPSK	1	0	23.18	23.34	23.35	0
		1	12	22.88	23.04	22.94	0			1	7	22.78	22.92	22.92	0
		1	24	23.11	23.24	23.08	0			1	14	23.05	23.22	23.23	0
		12	0	21.94	22.18	22.05	1			8	0	22.00	22.21	22.14	1
		12	6	21.96	22.01	21.98	1			8	3	21.82	22.10	22.02	1
		12	13	22.02	22.19	22.10	1			8	7	22.02	22.21	22.23	1
		25	0	21.95	22.13	22.14	1			15	0	22.09	22.07	22.22	1
	16QAM	1	0	22.08	22.20	22.23	1		1	0	22.25	22.32	22.37	1	
		1	12	21.76	21.79	21.77	1		1	7	21.74	21.86	21.75	1	
		1	24	21.84	22.06	22.00	1		1	14	21.85	21.99	22.10	1	
		12	0	20.96	21.08	21.17	2		8	0	21.10	21.12	21.23	2	
		12	6	21.01	21.10	21.11	2		8	3	20.85	21.16	21.06	2	
		12	13	21.07	21.18	21.22	2		8	7	21.02	21.12	21.12	2	
		25	0	21.05	21.08	21.13	2		15	0	20.96	21.10	21.06	2	
BW	MCS Index	RB Size	RB Offset	Low	Mid	High	3GPP MPR (dB)								
		Channel		26697	26865	27033									
		Frequency (MHz)		814.7	831.5	848.3									
1.4M	QPSK	1	0	23.31	23.30	23.28	0								
		1	2	22.75	22.85	22.90	0								
		1	5	23.07	23.23	23.27	0								
		3	0	23.00	23.18	23.18	0								
		3	1	22.82	23.10	22.95	0								
		3	3	22.95	23.20	23.28	0								
	16QAM	6	0	21.97	22.14	22.07	1								
		1	0	22.21	22.30	22.24	1								
		1	2	21.72	21.75	21.74	1								
		1	5	21.87	22.08	21.99	1								
		3	0	22.05	22.14	22.14	1								
		3	1	21.88	22.16	22.06	1								
		3	3	22.00	22.20	22.24	1								
		6	0	20.89	21.08	21.05	2								

FCC SAR Test Report

<WLAN 2.4G>

Mode	Channel	Frequency (MHz)	Average Power
802.11b	1	2412	15.74
	6	2437	16.50
	11	2462	15.94

<WLAN 5.3G>

Mode	Channel	Frequency (MHz)	Average Power
802.11n (HT20)	52	5260	11.74
	56	5280	11.66
	60	5300	11.56
	64	5320	10.97

<WLAN 5.6G>

Mode	Channel	Frequency (MHz)	Average Power
802.11n (HT20)	100	5500	10.38
	116	5580	10.65
	120	5600	10.71
	124	5620	10.48
	132	5660	10.61
	140	5700	9.63

<WLAN 5.8G>

Mode	Channel	Frequency (MHz)	Average Power
802.11n (HT40)	151	5755	10.03
	159	5795	9.88

<Bluetooth>

Mode	Channel	Frequency (MHz)	Average Power
Bluetooth EDR	0	2402	8.33
	39	2441	7.82
	78	2480	7.21

4.7 SAR Testing Results

4.7.1 SAR Test Reduction Considerations

<KDB 447498 D01, General RF Exposure Guidance>

Testing of other required channels within the operating mode of a frequency band is not required when the reported SAR for the mid-band or highest output power channel is:

- (1) ≤ 0.8 W/kg or 2.0 W/kg, for 1-g or 10-g respectively, when the transmission band is ≤ 100 MHz
- (2) ≤ 0.6 W/kg or 1.5 W/kg, for 1-g or 10-g respectively, when the transmission band is between 100 MHz and 200 MHz
- (3) ≤ 0.4 W/kg or 1.0 W/kg, for 1-g or 10-g respectively, when the transmission band is ≥ 200 MHz

When SAR is not measured at the maximum power level allowed for production units, the measured SAR will be scaled to the maximum tune-up tolerance limit to determine compliance. The scaling factor for the tune-up power is defined as maximum tune-up limit (mW) / measured conducted power (mW). The reported SAR would be calculated by measured SAR x tune-up power scaling factor.

The SAR has been measured with highest transmission duty factor supported by the test mode tools for WLAN and/or Bluetooth. When the transmission duty factor could not achieve 100%, the reported SAR will be scaled to 100% transmission duty factor to determine compliance at the maximum tune-up power. The scaling factor for the duty factor is defined as 100% / transmission duty cycle (%). The reported SAR would be calculated by measured SAR x tune-up power scaling factor x duty cycle scaling factor.

<KDB 941225 D01, 3G SAR Measurement Procedures>

The mode tested for SAR is referred to as the primary mode. The equivalent modes considered for SAR test reduction are denoted as secondary modes. Both primary and secondary modes must be in the same frequency band. When the maximum output power and tune-up tolerance specified for production units in a secondary mode is $\leq 1/4$ dB higher than the primary mode or when the highest reported SAR of the primary mode is scaled by the ratio of specified maximum output power and tune-up tolerance of secondary to primary mode and the adjusted SAR is ≤ 1.2 W/kg, SAR measurement is not required for the secondary mode.

<KDB 941225 D05, SAR Evaluation Considerations for LTE Devices>

- (1) QPSK with 1 RB and 50% RB allocation

Start with the largest channel bandwidth and measure SAR, using the RB offset and required test channel combination with the highest maximum output power among RB offsets at the upper edge, middle and lower edge of each required test channel. When the reported SAR is ≤ 0.8 W/kg, testing of the remaining RB offset configurations and required test channels is not required; otherwise, SAR is required for the remaining required test channels and only for the RB offset configuration with the highest output power for that channel. When the reported SAR of a required test channel is > 1.45 W/kg, SAR is required for all three RB offset configurations for that required test channel.

(2) QPSK with 100% RB allocation

SAR is not required when the highest maximum output power for 100% RB allocation is less than the highest maximum output power in 50% and 1 RB allocations and the highest reported SAR for 1 RB and 50% RB allocation are ≤ 0.8 W/kg. Otherwise, SAR is measured for the highest output power channel; and if the reported SAR is > 1.45 W/kg, the remaining required test channels must also be tested.

(3) Higher order modulations

SAR is required only when the highest maximum output power for the configuration in the higher order modulation is $> 1/2$ dB higher than the same configuration in QPSK or when the reported SAR for the QPSK configuration is > 1.45 W/kg.

(4) Other channel bandwidth

SAR is required when the highest maximum output power of the smaller channel bandwidth is $> 1/2$ dB higher than the equivalent channel configurations in the largest channel bandwidth configuration or the reported SAR of a configuration for the largest channel bandwidth is > 1.45 W/kg.

<KDB 248227 D01, SAR Guidance for Wi-Fi Transmitters>

- (1) For handsets operating next to ear, hotspot mode or mini-tablet configurations, the initial test position procedures were applied. The test position with the highest extrapolated peak SAR will be used as the initial test position. When the reported SAR of initial test position is ≤ 0.4 W/kg, SAR testing for remaining test positions is not required. Otherwise, SAR is evaluated at the subsequent highest peak SAR positions until the reported SAR result is ≤ 0.8 W/kg or all test positions are measured.
- (2) For WLAN 2.4 GHz, the highest measured maximum output power channel for DSSS was selected for SAR measurement. When the reported SAR is ≤ 0.8 W/kg, no further SAR testing is required. Otherwise, SAR is evaluated at the next highest measured output power channel. When any reported SAR is > 1.2 W/kg, SAR is required for the third channel. For OFDM modes (802.11g/n), SAR is not required when the highest reported SAR for DSSS is adjusted by the ratio of OFDM to DSSS specified maximum output power and it is ≤ 1.2 W/kg.
- (3) For WLAN 5 GHz, the initial test configuration was selected according to the transmission mode with the highest maximum output power. When the reported SAR of initial test configuration is > 0.8 W/kg, SAR is required for the subsequent highest measured output power channel until the reported SAR result is ≤ 1.2 W/kg or all required channels are measured. For other transmission modes, SAR is not required when the highest reported SAR for initial test configuration is adjusted by the ratio of subsequent test configuration to initial test configuration specified maximum output power and it is ≤ 1.2 W/kg.
- (4) For WLAN MIMO mode, the power-based standalone SAR test exclusion or the sum of SAR provision in KDB 447498 to determine simultaneous transmission SAR test exclusion should be applied. Otherwise, SAR for MIMO mode will be measured with all applicable antennas transmitting simultaneously at the specified maximum output power of MIMO operation.

FCC SAR Test Report

4.7.2 SAR Results for Body Exposure Condition

Plot No.	Band	Mode	Test Position	Separation Distance (mm)	Ch.	Max. Tune-up Power (dBm)	Measured Conducted Power (dBm)	Scaling Factor	Power Drift (dB)	Measured SAR-1g (W/kg)	Scaled SAR-1g (W/kg)
	GSM850	GPRS12	Front Face	15	128	29.8	28.69	1.29	0.05	0.202	0.26
	GSM850	GPRS12	Front Face	15	189	29.8	28.85	1.24	0.11	0.199	0.25
01	GSM850	GPRS12	Front Face	15	251	29.8	28.82	1.25	0.00	0.207	0.26
02	GSM1900	GPRS12	Front Face	15	512	26.1	26.05	1.01	-0.01	0.315	0.32
	GSM1900	GPRS12	Front Face	15	661	26.1	26.03	1.02	0.05	0.291	0.30
	GSM1900	GPRS12	Front Face	15	810	26.1	25.98	1.03	0.11	0.298	0.31
	WCDMA II	RMC12.2K	Front Face	15	9262	22.8	22.65	1.04	0.03	0.358	0.37
	WCDMA II	RMC12.2K	Front Face	15	9400	22.8	22.78	1.00	0.15	0.356	0.36
03	WCDMA II	RMC12.2K	Front Face	15	9538	22.8	22.75	1.01	-0.05	0.369	0.37
	WCDMA IV	RMC12.2K	Front Face	15	1312	23.8	23.77	1.01	0.02	0.407	0.41
	WCDMA IV	RMC12.2K	Front Face	15	1413	23.8	23.68	1.03	-0.13	0.415	0.43
04	WCDMA IV	RMC12.2K	Front Face	15	1513	23.8	23.73	1.02	-0.08	0.421	0.43
05	WCDMA V	RMC12.2K	Front Face	15	4132	23.8	23.63	1.04	-0.03	0.202	0.21
	WCDMA V	RMC12.2K	Front Face	15	4182	23.8	23.78	1.00	0.02	0.197	0.20
	WCDMA V	RMC12.2K	Front Face	15	4233	23.8	23.69	1.03	-0.11	0.191	0.20

Plot No.	Band	Mode	Test Position	Separation Distance (mm)	Ch.	RB#	RB Offset	Max. Tune-up Power (dBm)	Measured Conducted Power (dBm)	Scaling Factor	Power Drift (dB)	Measured SAR-1g (W/kg)	Scaled SAR-1g (W/kg)
	LTE 2	QPSK20M	Front Face	15	18900	1	0	23.2	22.98	1.05	0.02	0.339	0.36
	LTE 2	QPSK20M	Front Face	15	18900	50	50	22.2	21.78	1.10	-0.06	0.256	0.28
	LTE 2	QPSK20M	Front Face	15	18700	1	0	23.2	22.47	1.18	0.12	0.318	0.38
06	LTE 2	QPSK20M	Front Face	15	19100	1	0	23.2	22.97	1.05	0.02	0.371	0.39
07	LTE 4	QPSK20M	Front Face	15	20300	1	0	23.9	23.83	1.02	-0.12	0.432	0.44
	LTE 4	QPSK20M	Front Face	15	20300	50	0	22.9	22.90	1.00	-0.11	0.29	0.29
	LTE 4	QPSK20M	Front Face	15	20050	1	0	23.9	23.81	1.02	0.02	0.353	0.36
	LTE 4	QPSK20M	Front Face	15	20175	1	0	23.9	23.82	1.02	0.03	0.369	0.38
	LTE 5	QPSK10M	Front Face	15	20525	1	0	24.7	23.52	1.31	-0.11	0.095	0.12
	LTE 5	QPSK10M	Front Face	15	20525	25	0	23.7	22.58	1.29	0.14	0.073	0.09
08	LTE 5	QPSK10M	Front Face	15	20450	1	0	24.7	23.27	1.39	-0.05	0.108	0.15
	LTE 5	QPSK10M	Front Face	15	20600	1	0	24.7	23.47	1.33	0.03	0.088	0.12
	LTE 7	QPSK20M	Front Face	15	21100	1	0	23.8	23.77	1.01	0.03	0.228	0.23
	LTE 7	QPSK20M	Front Face	15	21100	50	50	22.8	22.68	1.03	-0.11	0.162	0.17
	LTE 7	QPSK20M	Front Face	15	20850	1	0	23.8	23.34	1.11	0.02	0.195	0.22
09	LTE 7	QPSK20M	Front Face	15	21350	1	0	23.8	23.73	1.02	-0.09	0.260	0.27
	LTE 12	QPSK10M	Front Face	15	23095	1	0	24.0	22.85	1.30	0.02	0.102	0.13
	LTE 12	QPSK10M	Front Face	15	23095	25	12	23.0	21.94	1.28	-0.13	0.073	0.09
10	LTE 12	QPSK10M	Front Face	15	23060	1	0	24.0	22.61	1.38	-0.13	0.129	0.18
	LTE 12	QPSK10M	Front Face	15	23130	1	0	24.0	22.84	1.31	0.15	0.094	0.12
11	LTE 13	QPSK10M	Front Face	15	23230	1	0	24.7	23.64	1.28	0.11	0.235	0.30
	LTE 13	QPSK10M	Front Face	15	23230	25	0	23.7	23.06	1.16	0.02	0.202	0.23
12	LTE 25	QPSK20M	Front Face	15	26365	1	0	23.2	23.13	1.02	0.00	0.388	0.40
	LTE 25	QPSK20M	Front Face	15	26365	50	50	22.2	21.75	1.11	-0.11	0.27	0.30
	LTE 25	QPSK20M	Front Face	15	26140	1	0	23.2	23.02	1.04	0.03	0.343	0.36
	LTE 25	QPSK20M	Front Face	15	26590	1	0	23.2	23.09	1.03	0.05	0.358	0.37
	LTE 26	QPSK15M	Front Face	15	26865	1	0	24.7	23.48	1.32	-0.13	0.109	0.14
	LTE 26	QPSK15M	Front Face	15	26865	36	39	23.7	22.30	1.38	0.02	0.091	0.13
13	LTE 26	QPSK15M	Front Face	15	26765	1	0	24.7	23.33	1.37	0.04	0.122	0.17
	LTE 26	QPSK15M	Front Face	15	26965	1	0	24.7	23.47	1.33	0.19	0.120	0.16



FCC SAR Test Report

Plot No.	Band	Mode	Test Position	Separation Distance (mm)	Ch.	Duty Cycle	Crest Factor	Max. Tune-up Power (dBm)	Measured Conducted Power (dBm)	Scaling Factor	Power Drift (dB)	Measured SAR-1g (W/kg)	Scaled SAR-1g (W/kg)
	WLAN2.4G	802.11b	Front Face	15	1	97.51	1.03	16.0	15.74	1.06	-0.01	0.058	0.06
14	WLAN2.4G	802.11b	Front Face	15	6	97.51	1.03	16.6	16.50	1.02	0.10	0.068	0.07
	WLAN2.4G	802.11b	Front Face	15	11	97.51	1.03	16.0	15.94	1.01	0.08	0.064	0.07
	WLAN5.3G	802.11n HT20	Front Face	15	52	86.10	1.16	12.8	11.74	1.28	-0.08	0.052	0.08
15	WLAN5.3G	802.11n HT20	Front Face	15	56	86.10	1.16	12.8	11.66	1.30	-0.03	0.054	0.08
	WLAN5.3G	802.11n HT20	Front Face	15	60	86.10	1.16	12.8	11.56	1.33	0.02	0.047	0.07
	WLAN5.3G	802.11n HT20	Front Face	15	64	86.10	1.16	12.8	10.97	1.52	-0.06	0.042	0.07
	WLAN5.6G	802.11n HT20	Front Face	15	100	86.10	1.16	12.3	10.38	1.56	0.11	0.081	0.15
16	WLAN5.6G	802.11n HT20	Front Face	15	116	86.10	1.16	12.3	10.65	1.46	-0.05	0.089	0.15
	WLAN5.6G	802.11n HT20	Front Face	15	120	86.10	1.16	12.3	10.71	1.44	0.05	0.087	0.15
	WLAN5.6G	802.11n HT20	Front Face	15	124	86.10	1.16	12.3	10.48	1.52	-0.03	0.085	0.15
	WLAN5.6G	802.11n HT20	Front Face	15	132	86.10	1.16	11.3	10.61	1.17	0.09	0.079	0.11
	WLAN5.6G	802.11n HT20	Front Face	15	140	86.10	1.16	11.3	9.63	1.47	0.03	0.056	0.10
17	WLAN5.8G	802.11n HT40	Front Face	15	151	75.78	1.32	11.3	10.03	1.34	-0.07	0.080	0.14
	WLAN5.8G	802.11n HT40	Front Face	15	159	75.78	1.32	11.3	9.88	1.39	0.05	0.074	0.14
18	BT	BDR	Front Face	15	0	76.06	1.31	10.0	8.33	1.47	-0.09	0.00936	0.02
	BT	BDR	Front Face	15	39	76.06	1.31	9.8	7.82	1.58	-0.02	0.00829	0.02
	BT	BDR	Front Face	15	78	76.06	1.31	9.2	7.21	1.58	0.07	0.00766	0.02

FCC SAR Test Report

4.7.3 SAR Results for Extremity Exposure Condition (Test Separation Distance is 0 mm)

Plot No.	Band	Mode	Test Position	Ch.	Max. Tune-up Power (dBm)	Measured Conducted Power (dBm)	Scaling Factor	Power Drift (dB)	Measured SAR-10g (W/kg)	Scaled SAR-10g (W/kg)
	GSM850	GPRS12	Front Face	189	29.8	28.85	1.24	0.06	0.628	0.78
	GSM850	GPRS12	Rear Face	189	29.8	28.85	1.24	0.02	1.33	1.65
	GSM850	GPRS12	Right Side	189	29.8	28.85	1.24	0.09	0.408	0.51
	GSM850	GPRS12	Bottom Side	189	29.8	28.85	1.24	0.14	0.978	1.21
19	GSM850	GPRS12	Rear Face	128	29.8	28.69	1.29	0.15	1.36	1.75
	GSM850	GPRS12	Rear Face	251	29.8	28.82	1.25	0.06	1.33	1.66
	GSM1900	GPRS12	Front Face	512	26.1	26.05	1.01	0.02	0.74	0.75
20	GSM1900	GPRS12	Rear Face	512	26.1	26.05	1.01	-0.13	3.57	3.61
	GSM1900	GPRS12	Right Side	512	26.1	26.05	1.01	0.06	0.125	0.13
	GSM1900	GPRS12	Bottom Side	512	26.1	26.05	1.01	0.09	2.58	2.61
	GSM1900	GPRS12	Rear Face	661	26.1	26.03	1.02	0.13	2.96	3.02
	GSM1900	GPRS12	Rear Face	810	26.1	25.98	1.03	0.03	2.76	2.84
	GSM1900	GPRS12	Bottom Side	661	26.1	26.03	1.02	-0.1	2.1	2.14
	GSM1900	GPRS12	Bottom Side	810	26.1	25.98	1.03	0.02	1.87	1.93
	GSM1900	GPRS12	Rear Face	512	26.1	26.05	1.01	0.11	3.51	3.55
	WCDMA II	RMC12.2K	Front Face	9400	22.8	22.78	1.00	0.02	1.04	1.04
	WCDMA II	RMC12.2K	Rear Face	9400	22.8	22.78	1.00	-0.11	3.5	3.50
	WCDMA II	RMC12.2K	Right Side	9400	22.8	22.78	1.00	0.03	0.171	0.17
	WCDMA II	RMC12.2K	Bottom Side	9400	22.8	22.78	1.00	0.06	2.63	2.63
	WCDMA II	RMC12.2K	Rear Face	9262	22.8	22.65	1.04	-0.13	3.51	3.65
21	WCDMA II	RMC12.2K	Rear Face	9538	22.8	22.75	1.01	-0.14	3.61	3.65
	WCDMA II	RMC12.2K	Bottom Side	9262	22.8	22.65	1.04	0.05	2.59	2.69
	WCDMA II	RMC12.2K	Bottom Side	9538	22.8	22.75	1.01	0.19	2.83	2.86
	WCDMA II	RMC12.2K	Rear Face	9538	22.8	22.75	1.01	0.05	3.58	3.62
	WCDMA IV	RMC12.2K	Front Face	1312	23.8	23.77	1.01	0.05	1.43	1.44
	WCDMA IV	RMC12.2K	Rear Face	1312	23.8	23.77	1.01	-0.11	3.49	3.52
	WCDMA IV	RMC12.2K	Right Side	1312	23.8	23.77	1.01	0.03	0.583	0.59
	WCDMA IV	RMC12.2K	Bottom Side	1312	23.8	23.77	1.01	-0.15	2.48	2.50
	WCDMA IV	RMC12.2K	Rear Face	1413	23.8	23.68	1.03	0.09	3.52	3.63
22	WCDMA IV	RMC12.2K	Rear Face	1513	23.8	23.73	1.02	-0.12	3.60	3.67
	WCDMA IV	RMC12.2K	Bottom Side	1413	23.8	23.68	1.03	0.11	2.46	2.53
	WCDMA IV	RMC12.2K	Bottom Side	1513	23.8	23.73	1.02	0.09	2.58	2.63
	WCDMA IV	RMC12.2K	Rear Face	1513	23.8	23.73	1.02	0.13	3.52	3.59
	WCDMA V	RMC12.2K	Front Face	4182	23.8	23.78	1.00	0.15	0.552	0.55
	WCDMA V	RMC12.2K	Rear Face	4182	23.8	23.78	1.00	0.03	0.855	0.86
	WCDMA V	RMC12.2K	Right Side	4182	23.8	23.78	1.00	0.02	0.282	0.28
	WCDMA V	RMC12.2K	Bottom Side	4182	23.8	23.78	1.00	0.01	0.645	0.65
23	WCDMA V	RMC12.2K	Rear Face	4132	23.8	23.63	1.04	-0.03	0.948	0.99
	WCDMA V	RMC12.2K	Rear Face	4233	23.8	23.69	1.03	-0.13	0.833	0.86



FCC SAR Test Report

Plot No.	Band	Mode	Test Position	Ch.	RB#	RB Offset	Max. Tune-up Power (dBm)	Measured Conducted Power (dBm)	Scaling Factor	Power Drift (dB)	Measured SAR-10g (W/kg)	Scaled SAR-10g (W/kg)
	LTE 2	QSPK20M	Front Face	18900	1	0	23.2	22.98	1.05	0.05	0.901	0.95
	LTE 2	QSPK20M	Rear Face	18900	1	0	23.2	22.98	1.05	-0.13	3.31	3.48
	LTE 2	QSPK20M	Right Side	18900	1	0	23.2	22.98	1.05	0.06	0.187	0.20
	LTE 2	QSPK20M	Bottom Side	18900	1	0	23.2	22.98	1.05	-0.11	2.38	2.50
	LTE 2	QSPK20M	Front Face	18900	50	50	22.2	21.78	1.10	0.05	0.766	0.84
	LTE 2	QSPK20M	Rear Face	18900	50	50	22.2	21.78	1.10	-0.03	2.81	3.09
	LTE 2	QSPK20M	Right Side	18900	50	50	22.2	21.78	1.10	0.08	0.158	0.17
	LTE 2	QSPK20M	Bottom Side	18900	50	50	22.2	21.78	1.10	0.01	2.02	2.22
	LTE 2	QSPK20M	Rear Face	18700	1	0	23.2	22.47	1.18	0.09	3.01	3.55
24	LTE 2	QSPK20M	Rear Face	19100	1	0	23.2	22.97	1.05	-0.14	3.52	3.70
	LTE 2	QSPK20M	Bottom Side	18700	1	0	23.2	22.47	1.18	0.13	2.23	2.63
	LTE 2	QSPK20M	Bottom Side	19100	1	0	23.2	22.97	1.05	0.14	2.54	2.67
	LTE 2	QSPK20M	Rear Face	18700	50	50	22.2	21.46	1.19	0.05	2.73	3.25
	LTE 2	QSPK20M	Rear Face	19100	50	50	22.2	21.75	1.11	-0.11	2.7	3.00
	LTE 2	QSPK20M	Bottom Side	18700	50	50	22.2	21.46	1.19	0.06	1.96	2.33
	LTE 2	QSPK20M	Bottom Side	19100	50	50	22.2	21.75	1.11	-0.02	1.96	2.18
	LTE 2	QSPK20M	Rear Face	18900	100	0	22.2	21.71	1.12	0.01	2.71	3.04
	LTE 2	QSPK20M	Bottom Side	18900	100	0	22.2	21.71	1.12	0.06	1.88	2.11
	LTE 2	QSPK20M	Rear Face	19100	1	0	23.2	22.97	1.05	0.05	3.45	3.62
	LTE 4	QSPK20M	Front Face	20300	1	0	23.9	23.83	1.02	0.02	1.28	1.31
25	LTE 4	QSPK20M	Rear Face	20300	1	0	23.9	23.83	1.02	-0.16	3.49	3.56
	LTE 4	QSPK20M	Right Side	20300	1	0	23.9	23.83	1.02	0.13	0.45	0.46
	LTE 4	QSPK20M	Bottom Side	20300	1	0	23.9	23.83	1.02	0.06	2.54	2.59
	LTE 4	QSPK20M	Front Face	20300	50	0	22.9	22.90	1.00	-0.11	1.08	1.08
	LTE 4	QSPK20M	Rear Face	20300	50	0	22.9	22.90	1.00	0.02	2.96	2.96
	LTE 4	QSPK20M	Right Side	20300	50	0	22.9	22.90	1.00	0.05	0.382	0.38
	LTE 4	QSPK20M	Bottom Side	20300	50	0	22.9	22.90	1.00	-0.13	2.15	2.15
	LTE 4	QSPK20M	Rear Face	20050	1	0	23.9	23.81	1.02	0.06	3.13	3.19
	LTE 4	QSPK20M	Rear Face	20175	1	0	23.9	23.82	1.02	0.05	3.29	3.36
	LTE 4	QSPK20M	Bottom Side	20050	1	0	23.9	23.81	1.02	0.01	2.26	2.31
	LTE 4	QSPK20M	Bottom Side	20175	1	0	23.9	23.82	1.02	0.06	2.38	2.43
	LTE 4	QSPK20M	Rear Face	20050	50	50	22.9	22.86	1.01	-0.13	2.87	2.90
	LTE 4	QSPK20M	Rear Face	20175	50	50	22.9	22.87	1.01	0.09	2.9	2.93
	LTE 4	QSPK20M	Bottom Side	20050	50	50	22.9	22.86	1.01	-0.11	2.1	2.12
	LTE 4	QSPK20M	Bottom Side	20175	50	50	22.9	22.87	1.01	0.06	2.12	2.14
	LTE 4	QSPK20M	Rear Face	20300	100	0	22.9	22.87	1.01	0.13	2.9	2.93
	LTE 4	QSPK20M	Bottom Side	20300	100	0	22.9	22.87	1.01	0.05	2.05	2.07
	LTE 4	QSPK20M	Rear Face	20300	1	0	23.9	23.83	1.02	0.03	3.41	3.48
	LTE 5	QPSK10M	Front Face	20525	1	0	24.7	23.52	1.31	0.05	0.459	0.60
	LTE 5	QPSK10M	Rear Face	20525	1	0	24.7	23.52	1.31	0.11	0.705	0.92
	LTE 5	QPSK10M	Right Side	20525	1	0	24.7	23.52	1.31	0.06	0.252	0.33
	LTE 5	QPSK10M	Bottom Side	20525	1	0	24.7	23.52	1.31	-0.13	0.598	0.78
	LTE 5	QPSK10M	Front Face	20525	50	0	23.7	22.58	1.29	0.03	0.39	0.50
	LTE 5	QPSK10M	Rear Face	20525	50	0	23.7	22.58	1.29	0.02	0.599	0.77
	LTE 5	QPSK10M	Right Side	20525	50	0	23.7	22.58	1.29	-0.11	0.214	0.28
	LTE 5	QPSK10M	Bottom Side	20525	50	0	23.7	22.58	1.29	0.09	0.508	0.66
26	LTE 5	QPSK10M	Rear Face	20450	1	0	24.7	23.27	1.39	0.09	0.783	1.09
	LTE 5	QPSK10M	Rear Face	20600	1	0	24.7	23.47	1.33	0.01	0.704	0.94
	LTE 7	QSPK20M	Front Face	21100	1	0	23.8	23.77	1.01	0.02	0.758	0.77
	LTE 7	QSPK20M	Rear Face	21100	1	0	23.8	23.77	1.01	-0.14	1.48	1.49
	LTE 7	QSPK20M	Left Side	21100	1	0	23.8	23.77	1.01	0.03	0.612	0.62
	LTE 7	QSPK20M	Bottom Side	21100	1	0	23.8	23.77	1.01	-0.01	0.45	0.45
	LTE 7	QSPK20M	Front Face	21100	50	50	22.8	22.68	1.03	0.03	0.644	0.66
	LTE 7	QSPK20M	Rear Face	21100	50	50	22.8	22.68	1.03	0.05	1.25	1.29
	LTE 7	QSPK20M	Left Side	21100	50	50	22.8	22.68	1.03	-0.14	0.52	0.54
	LTE 7	QSPK20M	Bottom Side	21100	50	50	22.8	22.68	1.03	0.06	0.381	0.39
	LTE 7	QSPK20M	Rear Face	20850	1	0	23.8	23.34	1.11	-0.11	1.4	1.55
27	LTE 7	QSPK20M	Rear Face	21350	1	0	23.8	23.73	1.02	-0.08	1.75	1.79



FCC SAR Test Report

Plot No.	Band	Mode	Test Position	Ch.	RB#	RB Offset	Max. Tune-up Power (dBm)	Measured Conducted Power (dBm)	Scaling Factor	Power Drift (dB)	Measured SAR-10g (W/kg)	Scaled SAR-10g (W/kg)
	LTE 12	QPSK10M	Front Face	23095	1	0	24.0	22.85	1.30	0.01	0.347	0.45
	LTE 12	QPSK10M	Rear Face	23095	1	0	24.0	22.85	1.30	0.02	0.548	0.71
	LTE 12	QPSK10M	Right Side	23095	1	0	24.0	22.85	1.30	0.09	0.269	0.35
	LTE 12	QPSK10M	Bottom Side	23095	1	0	24.0	22.85	1.30	0.14	0.298	0.39
	LTE 12	QPSK10M	Front Face	23095	25	12	23.0	21.94	1.28	-0.13	0.294	0.38
	LTE 12	QPSK10M	Rear Face	23095	25	12	23.0	21.94	1.28	0.02	0.466	0.60
	LTE 12	QPSK10M	Right Side	23095	25	12	23.0	21.94	1.28	0.08	0.228	0.29
	LTE 12	QPSK10M	Bottom Side	23095	25	12	23.0	21.94	1.28	0.01	0.254	0.33
28	LTE 12	QPSK10M	Rear Face	23060	1	0	24.0	22.61	1.38	-0.15	0.576	0.79
	LTE 12	QPSK10M	Rear Face	23130	1	0	24.0	22.84	1.31	0.03	0.540	0.71
	LTE 13	QPSK10M	Front Face	23230	1	0	24.7	23.64	1.28	0.02	0.536	0.69
29	LTE 13	QPSK10M	Rear Face	23230	1	0	24.7	23.64	1.28	0.03	0.940	1.20
	LTE 13	QPSK10M	Right Side	23230	1	0	24.7	23.64	1.28	-0.14	0.395	0.51
	LTE 13	QPSK10M	Bottom Side	23230	1	0	24.7	23.64	1.28	0.06	0.567	0.73
	LTE 13	QPSK10M	Front Face	23230	25	0	23.7	23.06	1.16	-0.11	0.455	0.53
	LTE 13	QPSK10M	Rear Face	23230	25	0	23.7	23.06	1.16	0.03	0.798	0.93
	LTE 13	QPSK10M	Right Side	23230	25	0	23.7	23.06	1.16	0.05	0.335	0.39
	LTE 13	QPSK10M	Bottom Side	23230	25	0	23.7	23.06	1.16	-0.13	0.481	0.56
	LTE 25	QSPK20M	Front Face	26365	1	0	23.2	23.13	1.02	0.02	0.991	1.01
	LTE 25	QSPK20M	Rear Face	26365	1	0	23.2	23.13	1.02	-0.14	3.58	3.65
	LTE 25	QSPK20M	Right Side	26365	1	0	23.2	23.13	1.02	0.03	0.193	0.20
	LTE 25	QSPK20M	Bottom Side	26365	1	0	23.2	23.13	1.02	-0.13	2.69	2.74
	LTE 25	QSPK20M	Front Face	26365	50	50	22.2	21.75	1.11	0.05	0.842	0.93
	LTE 25	QSPK20M	Rear Face	26365	50	50	22.2	21.75	1.11	0.06	3.04	3.37
	LTE 25	QSPK20M	Right Side	26365	50	50	22.2	21.75	1.11	0.11	0.165	0.18
	LTE 25	QSPK20M	Bottom Side	26365	50	50	22.2	21.75	1.11	-0.11	2.28	2.53
	LTE 25	QSPK20M	Rear Face	26140	1	0	23.2	23.02	1.04	0.06	3.56	3.70
30	LTE 25	QSPK20M	Rear Face	26590	1	0	23.2	23.09	1.03	0.11	3.61	3.72
	LTE 25	QSPK20M	Bottom Side	26140	1	0	23.2	23.02	1.04	0.13	2.6	2.70
	LTE 25	QSPK20M	Bottom Side	26590	1	0	23.2	23.09	1.03	0.02	2.65	2.73
	LTE 25	QSPK20M	Rear Face	26140	50	0	22.2	21.64	1.14	0.02	3.01	3.43
	LTE 25	QSPK20M	Rear Face	26590	50	0	22.2	21.70	1.12	-0.15	3.08	3.45
	LTE 25	QSPK20M	Bottom Side	26140	50	0	22.2	21.64	1.14	0.02	2.27	2.59
	LTE 25	QSPK20M	Bottom Side	26590	50	0	22.2	21.70	1.12	0.01	2.31	2.59
	LTE 25	QSPK20M	Rear Face	26365	100	0	22.2	21.71	1.12	0.06	3.01	3.37
	LTE 25	QSPK20M	Bottom Side	26365	100	0	22.2	21.71	1.12	-0.11	2.23	2.50
	LTE 25	QSPK20M	Rear Face	26590	1	0	23.2	23.09	1.03	0.06	3.56	3.67
	LTE 26	QSPK15M	Front Face	26865	1	0	24.7	23.48	1.32	0.02	0.48	0.63
	LTE 26	QSPK15M	Rear Face	26865	1	0	24.7	23.48	1.32	0.06	0.821	1.08
	LTE 26	QSPK15M	Right Side	26865	1	0	24.7	23.48	1.32	-0.13	0.256	0.34
	LTE 26	QSPK15M	Bottom Side	26865	1	0	24.7	23.48	1.32	0.06	0.667	0.88
	LTE 26	QSPK15M	Front Face	26865	36	39	23.7	22.30	1.38	0.02	0.408	0.56
	LTE 26	QSPK15M	Rear Face	26865	36	39	23.7	22.30	1.38	0.08	0.697	0.96
	LTE 26	QSPK15M	Right Side	26865	36	39	23.7	22.30	1.38	0.01	0.217	0.30
	LTE 26	QSPK15M	Bottom Side	26865	36	39	23.7	22.30	1.38	0.06	0.566	0.78
31	LTE 26	QSPK15M	Rear Face	26765	1	0	24.7	23.33	1.37	-0.01	0.895	1.23
	LTE 26	QSPK15M	Rear Face	26965	1	0	24.7	23.47	1.33	0.03	0.751	1.00



FCC SAR Test Report

Plot No.	Band	Mode	Test Position	Ch.	Duty Cycle	Crest Factor	Max. Tune-up Power (dBm)	Measured Conducted Power (dBm)	Scaling Factor	Power Drift (dB)	Measured SAR-10g (W/kg)	Scaled SAR-10g (W/kg)
32	WLAN2.4G	802.11b	Front Face	6	97.51	1.03	16.6	16.50	1.02	0.14	0.396	0.42
	WLAN2.4G	802.11b	Rear Face	6	97.51	1.03	16.6	16.50	1.02	0.02	0.121	0.13
	WLAN2.4G	802.11b	Left Side	6	97.51	1.03	16.6	16.50	1.02	-0.14	0.106	0.11
	WLAN2.4G	802.11b	Top Side	6	97.51	1.03	16.6	16.50	1.02	0.03	0.095	0.10
	WLAN2.4G	802.11b	Front Face	1	97.51	1.03	16.0	15.74	1.06	0.05	0.35	0.38
	WLAN2.4G	802.11b	Front Face	11	97.51	1.03	16.0	15.94	1.01	-0.01	0.37	0.38
	WLAN5.3G	802.11n HT20	Front Face	52	86.10	1.16	12.8	11.74	1.28	0.02	0.156	0.23
	WLAN5.3G	802.11n HT20	Rear Face	52	86.10	1.16	12.8	11.74	1.28	-0.14	0.056	0.08
	WLAN5.3G	802.11n HT20	Left Side	52	86.10	1.16	12.8	11.74	1.28	0.09	0.095	0.14
	WLAN5.3G	802.11n HT20	Top Side	52	86.10	1.16	12.8	11.74	1.28	0.15	0.049	0.07
33	WLAN5.3G	802.11n HT20	Front Face	56	86.10	1.16	12.8	11.66	1.30	0.07	0.160	0.24
	WLAN5.3G	802.11n HT20	Front Face	60	86.10	1.16	12.8	11.56	1.33	0.1	0.145	0.22
	WLAN5.3G	802.11n HT20	Front Face	64	86.10	1.16	12.8	10.97	1.52	0.02	0.137	0.24
	WLAN5.6G	802.11n HT20	Front Face	120	86.10	1.16	12.3	10.71	1.44	0.15	0.173	0.29
	WLAN5.6G	802.11n HT20	Rear Face	120	86.10	1.16	12.3	10.71	1.44	0	<0.001	0.00
	WLAN5.6G	802.11n HT20	Left Side	120	86.10	1.16	12.3	10.71	1.44	0.05	0.084	0.14
	WLAN5.6G	802.11n HT20	Top Side	120	86.10	1.16	12.3	10.71	1.44	0.14	0.054	0.09
	WLAN5.6G	802.11n HT20	Front Face	100	86.10	1.16	12.3	10.38	1.56	0.05	0.174	0.31
34	WLAN5.6G	802.11n HT20	Front Face	116	86.10	1.16	12.3	10.65	1.46	-0.09	0.224	0.38
	WLAN5.6G	802.11n HT20	Front Face	124	86.10	1.16	12.3	10.48	1.52	-0.12	0.180	0.32
	WLAN5.6G	802.11n HT20	Front Face	132	86.10	1.16	11.3	10.61	1.17	0.06	0.188	0.26
	WLAN5.6G	802.11n HT20	Front Face	140	86.10	1.16	11.3	9.63	1.47	0.09	0.167	0.28
35	WLAN5.8G	802.11n HT40	Front Face	151	75.78	1.32	11.3	10.03	1.34	0.02	0.170	0.30
	WLAN5.8G	802.11n HT40	Rear Face	151	75.78	1.32	11.3	10.03	1.34	0	<0.001	0.00
	WLAN5.8G	802.11n HT40	Left Side	151	75.78	1.32	11.3	10.03	1.34	0.09	0.078	0.14
	WLAN5.8G	802.11n HT40	Top Side	151	75.78	1.32	11.3	10.03	1.34	-0.13	0.054	0.10
	WLAN5.8G	802.11n HT40	Front Face	159	75.78	1.32	11.3	9.88	1.39	0.05	0.163	0.30
36	BT	BDR	Front Face	0	76.06	1.31	10.0	8.33	1.47	-0.02	0.066	0.13
	BT	BDR	Rear Face	0	76.06	1.31	10.0	8.33	1.47	0.02	0.022	0.04
	BT	BDR	Left Side	0	76.06	1.31	10.0	8.33	1.47	0.09	0.019	0.04
	BT	BDR	Top Side	0	76.06	1.31	10.0	8.33	1.47	-0.14	0.017	0.03
	BT	BDR	Front Face	39	76.06	1.31	9.8	7.82	1.58	0.05	0.05	0.10
	BT	BDR	Front Face	78	76.06	1.31	9.2	7.21	1.58	-0.11	0.045	0.09

Note: The "< 0.001" means there is no SAR value or the SAR is too low to be measured.

4.7.4 SAR Measurement Variability

According to KDB 865664 D01, SAR measurement variability was assessed for each frequency band, which is determined by the SAR probe calibration point and tissue-equivalent medium used for the device measurements. When both head and body tissue-equivalent media are required for SAR measurements in a frequency band, the variability measurement procedures should be applied to the tissue medium with the highest measured SAR, using the highest measured SAR configuration for that tissue-equivalent medium. Alternatively, if the highest measured SAR for both head and body tissue-equivalent media are ≤ 1.45 W/kg and the ratio of these highest SAR values, i.e., largest divided by smallest value, is ≤ 1.10 , the highest SAR configuration for either head or body tissue-equivalent medium may be used to perform the repeated measurement. These additional measurements are repeated after the completion of all measurements requiring the same head or body tissue-equivalent medium in a frequency band. The test device should be returned to ambient conditions (normal room temperature) with the battery fully charged before it is re-mounted on the device holder for the repeated measurement(s) to minimize any unexpected variations in the repeated results.

SAR repeated measurement procedure:

1. When the highest measured SAR is < 0.80 W/kg, repeated measurement is not required.
2. When the highest measured SAR is ≥ 0.80 W/kg, repeat that measurement once.
3. If the ratio of largest to smallest SAR for the original and first repeated measurements is > 1.20 , or when the original or repeated measurement is ≥ 1.45 W/kg, perform a second repeated measurement.
4. If the ratio of largest to smallest SAR for the original, first and second repeated measurements is > 1.20 , and the original, first or second repeated measurement is ≥ 1.5 W/kg, perform a third repeated measurement.
5. The same procedures should be adapted for measurements according to extremity and occupational exposure limits by applying a factor of 2.5 for extremity exposure and a factor of 5 for occupational exposure to the corresponding SAR thresholds.

Band	Mode	Test Position	Ch.	Original Measured SAR-10g (W/kg)	1st Repeated SAR-10g (W/kg)	L/S Ratio	2nd Repeated SAR-1g (W/kg)	L/S Ratio	3rd Repeated SAR-1g (W/kg)	L/S Ratio
GSM1900	GPRS12	Rear Face	512	3.57	3.51	1.02	N/A	N/A	N/A	N/A
WCDMA II	RMC12.2K	Rear Face	9538	3.61	3.58	1.01	N/A	N/A	N/A	N/A
WCDMA IV	RMC12.2K	Rear Face	1513	3.60	3.52	1.02	N/A	N/A	N/A	N/A
LTE 2	QSPK20M	Rear Face	19100	3.52	3.45	1.02	N/A	N/A	N/A	N/A
LTE 4	QSPK20M	Rear Face	20300	3.49	3.41	1.02	N/A	N/A	N/A	N/A
LTE 25	QSPK20M	Rear Face	26590	3.61	3.56	1.01	N/A	N/A	N/A	N/A

4.7.5 Simultaneous Multi-band Transmission Evaluation

<Possibilities of Simultaneous Transmission>

The simultaneous transmission possibilities for this device are listed as below.

Simultaneous TX Combination	Capable Transmit Configurations	Body Exposure Condition
1	WWAN + BT	Yes

Note :

1. The WLAN 2.4G and WLAN 5G cannot transmit simultaneously.
2. The WLAN and Bluetooth cannot transmit simultaneously.

<SAR Summation Analysis>

Simultaneous transmission SAR test exclusion is determined for each operating configuration and exposure condition according to the reported standalone SAR of each applicable simultaneous transmitting antenna. When the sum of SAR_{1g} of all simultaneously transmitting antennas in an operating mode and exposure condition combination is within the SAR limit (SAR_{1g} 1.6 W/kg), the simultaneous transmission SAR is not required. When the sum of SAR_{1g} is greater than the SAR limit (SAR_{1g} 1.6 W/kg), SAR test exclusion is determined by the SPLSR.

No.	Conditions (SAR1 + SAR2)	Exposure Condition	Test Position	Max. SAR1	Max. SAR2	SAR Summation	SPLSR Analysis
1	GSM850 + BT (DSS)	Body	Front Face	0.26	0.02	0.28	∑ SAR < 1.6, Not required
			Extremity	Front Face	0.78	0.13	0.91
		Extremity	Rear Face	1.75	0.04	1.79	∑ SAR < 4.0, Not required
			Left Side	0.00	0.04	0.04	∑ SAR < 4.0, Not required
			Right Side	0.51	0.00	0.51	∑ SAR < 4.0, Not required
			Top Side	0.00	0.03	0.03	∑ SAR < 4.0, Not required
			Bottom Side	1.21	0.00	1.21	∑ SAR < 4.0, Not required
2	GSM1900 + BT (DSS)	Body	Front Face	0.32	0.02	0.34	∑ SAR < 1.6, Not required
			Extremity	Front Face	0.75	0.13	0.88
		Extremity	Rear Face	3.61	0.04	3.65	∑ SAR < 4.0, Not required
			Left Side	0.00	0.04	0.04	∑ SAR < 4.0, Not required
			Right Side	0.13	0.00	0.13	∑ SAR < 4.0, Not required
			Top Side	0.00	0.03	0.03	∑ SAR < 4.0, Not required
			Bottom Side	2.61	0.00	2.61	∑ SAR < 4.0, Not required

FCC SAR Test Report

No.	Conditions (SAR1 + SAR2)	Exposure Condition	Test Position	Max. SAR1	Max. SAR2	SAR Summation	SPLSR Analysis
3	WCDMA II + BT (DSS)	Body	Front Face	0.37	0.02	0.39	Σ SAR < 1.6, Not required
		Extremity	Front Face	1.04	0.13	1.17	Σ SAR < 4.0, Not required
			Rear Face	3.65	0.04	3.69	Σ SAR < 4.0, Not required
			Left Side	0.00	0.04	0.04	Σ SAR < 4.0, Not required
			Right Side	0.17	0.00	0.17	Σ SAR < 4.0, Not required
			Top Side	0.00	0.03	0.03	Σ SAR < 4.0, Not required
			Bottom Side	2.86	0.00	2.86	Σ SAR < 4.0, Not required
4	WCDMA IV + BT (DSS)	Body	Front Face	0.43	0.02	0.45	Σ SAR < 1.6, Not required
		Extremity	Front Face	1.44	0.13	1.57	Σ SAR < 4.0, Not required
			Rear Face	3.67	0.04	3.71	Σ SAR < 4.0, Not required
			Left Side	0.00	0.04	0.04	Σ SAR < 4.0, Not required
			Right Side	0.59	0.00	0.59	Σ SAR < 4.0, Not required
			Top Side	0.00	0.03	0.03	Σ SAR < 4.0, Not required
			Bottom Side	2.63	0.00	2.63	Σ SAR < 4.0, Not required
5	WCDMA V + BT (DSS)	Body	Front Face	0.21	0.02	0.23	Σ SAR < 1.6, Not required
		Extremity	Front Face	0.55	0.13	0.68	Σ SAR < 4.0, Not required
			Rear Face	0.99	0.04	1.03	Σ SAR < 4.0, Not required
			Left Side	0.00	0.04	0.04	Σ SAR < 4.0, Not required
			Right Side	0.28	0.00	0.28	Σ SAR < 4.0, Not required
			Top Side	0.00	0.03	0.03	Σ SAR < 4.0, Not required
			Bottom Side	0.65	0.00	0.65	Σ SAR < 4.0, Not required
6	LTE 2 + BT (DSS)	Body	Front Face	0.39	0.02	0.41	Σ SAR < 1.6, Not required
		Extremity	Front Face	0.95	0.13	1.08	Σ SAR < 4.0, Not required
			Rear Face	3.70	0.04	3.74	Σ SAR < 4.0, Not required
			Left Side	0.00	0.04	0.04	Σ SAR < 4.0, Not required
			Right Side	0.20	0.00	0.20	Σ SAR < 4.0, Not required
			Top Side	0.00	0.03	0.03	Σ SAR < 4.0, Not required
			Bottom Side	2.67	0.00	2.67	Σ SAR < 4.0, Not required

FCC SAR Test Report

No.	Conditions (SAR1 + SAR2)	Exposure Condition	Test Position	Max. SAR1	Max. SAR2	SAR Summation	SPLSR Analysis
7	LTE 4 + BT (DSS)	Body	Front Face	0.44	0.02	0.46	Σ SAR < 1.6, Not required
		Extremity	Front Face	1.31	0.13	1.44	Σ SAR < 4.0, Not required
			Rear Face	3.56	0.04	3.60	Σ SAR < 4.0, Not required
			Left Side	0.00	0.04	0.04	Σ SAR < 4.0, Not required
			Right Side	0.46	0.00	0.46	Σ SAR < 4.0, Not required
			Top Side	0.00	0.03	0.03	Σ SAR < 4.0, Not required
			Bottom Side	2.59	0.00	2.59	Σ SAR < 4.0, Not required
8	LTE 5 + BT (DSS)	Body	Front Face	0.15	0.02	0.17	Σ SAR < 1.6, Not required
		Extremity	Front Face	0.60	0.13	0.73	Σ SAR < 4.0, Not required
			Rear Face	1.09	0.04	1.13	Σ SAR < 4.0, Not required
			Left Side	0.00	0.04	0.04	Σ SAR < 4.0, Not required
			Right Side	0.33	0.00	0.33	Σ SAR < 4.0, Not required
			Top Side	0.00	0.03	0.03	Σ SAR < 4.0, Not required
			Bottom Side	0.78	0.00	0.78	Σ SAR < 4.0, Not required
9	LTE 7 + BT (DSS)	Body	Front Face	0.27	0.02	0.29	Σ SAR < 1.6, Not required
		Extremity	Front Face	0.77	0.13	0.90	Σ SAR < 4.0, Not required
			Rear Face	1.79	0.04	1.83	Σ SAR < 4.0, Not required
			Left Side	0.62	0.04	0.66	Σ SAR < 4.0, Not required
			Right Side	0.00	0.00	0.00	Σ SAR < 4.0, Not required
			Top Side	0.00	0.03	0.03	Σ SAR < 4.0, Not required
			Bottom Side	0.45	0.00	0.45	Σ SAR < 4.0, Not required
10	LTE 12 + BT (DSS)	Body	Front Face	0.18	0.02	0.20	Σ SAR < 1.6, Not required
		Extremity	Front Face	0.45	0.13	0.58	Σ SAR < 4.0, Not required
			Rear Face	0.79	0.04	0.83	Σ SAR < 4.0, Not required
			Left Side	0.00	0.04	0.04	Σ SAR < 4.0, Not required
			Right Side	0.35	0.00	0.35	Σ SAR < 4.0, Not required
			Top Side	0.00	0.03	0.03	Σ SAR < 4.0, Not required
			Bottom Side	0.39	0.00	0.39	Σ SAR < 4.0, Not required

FCC SAR Test Report

No.	Conditions (SAR1 + SAR2)	Exposure Condition	Test Position	Max. SAR1	Max. SAR2	SAR Summation	SPLSR Analysis
11	LTE13 + BT (DSS)	Body	Front Face	0.30	0.02	0.32	Σ SAR < 1.6, Not required
		Extremity	Front Face	0.69	0.13	0.82	Σ SAR < 4.0, Not required
			Rear Face	1.20	0.04	1.24	Σ SAR < 4.0, Not required
			Left Side	0.00	0.04	0.04	Σ SAR < 4.0, Not required
			Right Side	0.51	0.00	0.51	Σ SAR < 4.0, Not required
			Top Side	0.00	0.03	0.03	Σ SAR < 4.0, Not required
			Bottom Side	0.73	0.00	0.73	Σ SAR < 4.0, Not required
12	LTE 25 + BT (DSS)	Body	Front Face	0.40	0.02	0.42	Σ SAR < 1.6, Not required
		Extremity	Front Face	1.01	0.13	1.14	Σ SAR < 4.0, Not required
			Rear Face	3.72	0.04	3.76	Σ SAR < 4.0, Not required
			Left Side	0.00	0.04	0.04	Σ SAR < 4.0, Not required
			Right Side	0.20	0.00	0.20	Σ SAR < 4.0, Not required
			Top Side	0.00	0.03	0.03	Σ SAR < 4.0, Not required
			Bottom Side	2.74	0.00	2.74	Σ SAR < 4.0, Not required
13	LTE 26 + BT (DSS)	Body	Front Face	0.17	0.02	0.19	Σ SAR < 1.6, Not required
		Extremity	Front Face	0.63	0.13	0.76	Σ SAR < 4.0, Not required
			Rear Face	1.23	0.04	1.27	Σ SAR < 4.0, Not required
			Left Side	0.00	0.04	0.04	Σ SAR < 4.0, Not required
			Right Side	0.34	0.00	0.34	Σ SAR < 4.0, Not required
			Top Side	0.00	0.03	0.03	Σ SAR < 4.0, Not required
			Bottom Side	0.88	0.00	0.88	Σ SAR < 4.0, Not required

Test Engineer : Hance Chang, and Willy Chang

5. Calibration of Test Equipment

Equipment	Manufacturer	Model	SN	Cal. Date	Cal. Interval
System Validation Dipole	SPEAG	D750V3	1013	Aug. 23, 2018	1 Year
System Validation Dipole	SPEAG	D835V2	4d121	Aug. 23, 2018	1 Year
System Validation Dipole	SPEAG	D1750V2	1055	Aug. 27, 2018	1 Year
System Validation Dipole	SPEAG	D1900V2	5d018	Jun. 21, 2018	1 Year
System Validation Dipole	SPEAG	D2450V2	737	Aug. 24, 2018	1 Year
System Validation Dipole	SPEAG	D2600V2	1020	Aug. 24, 2018	1 Year
System Validation Dipole	SPEAG	D5GHzV2	1019	Mar. 22, 2018	1 Year
Dosimetric E-Field Probe	SPEAG	EX3DV4	3971	Mar. 26, 2018	1 Year
Dosimetric E-Field Probe	SPEAG	EX3DV4	7472	Aug. 29, 2018	1 Year
Data Acquisition Electronics	SPEAG	DAE4	861	May. 30, 2018	1 Year
Data Acquisition Electronics	SPEAG	DAE4	1431	Mar. 16, 2018	1 Year
Wireless Communication Test Set	Agilent	E5515C	MY50266628	Dec. 06, 2018	1 Year
Radio Communication Analyzer	Anritsu	MT8820C	6201381727	May. 09, 2018	1 Year
Universal Radio Communication Tester	Anritsu	MT8821C	6201502978	Jul. 20, 2018	1 Year
Spectrum Analyzer	R&S	FSL6	102006	Mar. 23, 2018	1 Year
ENA Series Network Analyzer	Agilent	E5071C	MY46214281	Jun. 08, 2018	1 Year
MXG Analog Signal Generator	Agilent	N5181A	MY50143868	Jul. 03, 2018	1 Year
Vector Signal Generator	Anritsu	MG3710A	6201599977	Mar. 16, 2018	1 Year
Power Meter	Anritsu	ML2495A	1218009	Jul. 03, 2018	1 Year
Power Sensor	Anritsu	MA2411B	1207252	Jul. 03, 2018	1 Year
Thermometer	YFE	YF-160A	130504591	Mar. 23, 2018	1 Year

6. Measurement Uncertainty

Source of Uncertainty	Uncertainty (± %)	Probability Distribution	Divisor	Ci (1g)	Ci (10g)	Standard Uncertainty (± %, 1g)	Standard Uncertainty (± %, 10g)	Vi
Measurement System								
Probe Calibration	6.0	Normal	1	1	1	6.0	6.0	∞
Axial Isotropy	4.7	Rectangular	√3	√0.5	√0.5	1.9	1.9	∞
Hemispherical Isotropy	9.6	Rectangular	√3	√0.5	√0.5	3.9	3.9	∞
Boundary Effect	1.0	Rectangular	√3	1	1	0.6	0.6	∞
Linearity	4.7	Rectangular	√3	1	1	2.7	2.7	∞
Detection Limits	0.25	Rectangular	√3	1	1	0.14	0.14	∞
Probe Modulation Response	3.5	Rectangular	√3	1	1	2.0	2.0	∞
Readout Electronics	0.3	Normal	1	1	1	0.3	0.3	∞
Response Time	0.0	Rectangular	√3	1	1	0.0	0.0	∞
Integration Time	1.7	Rectangular	√3	1	1	1.0	1.0	∞
RF Ambient Conditions – Noise	3.0	Rectangular	√3	1	1	1.7	1.7	∞
RF Ambient Conditions – Reflections	3.0	Rectangular	√3	1	1	1.7	1.7	∞
Probe Positioner Mechanical Tolerance	0.4	Rectangular	√3	1	1	0.2	0.2	∞
Probe Positioning with Respect to Phantom	2.9	Rectangular	√3	1	1	1.7	1.7	∞
Post-processing	2.0	Rectangular	√3	1	1	1.2	1.2	∞
Test Sample Related								
Test Sample Positioning	2.82 / 1.60	Normal	1	1	1	2.8	1.6	35
Device Holder Uncertainty	2.55 / 2.76	Normal	1	1	1	2.6	2.8	7
Power Drift of Measurement	5.0	Rectangular	√3	1	1	2.9	2.9	∞
Power Scaling	0.0	Rectangular	√3	1	1	0.0	0.0	∞
Phantom and Setup								
Phantom Uncertainty (Shape and Thickness Tolerances)	6.1	Rectangular	√3	1	1	3.5	3.5	∞
Liquid Conductivity (Temperature Uncertainty)	2.58	Rectangular	√3	0.78	0.71	1.2	1.1	∞
Liquid Conductivity (Measured)	2.95	Normal	1	0.78	0.71	2.3	2.1	61
Liquid Permittivity (Temperature Uncertainty)	1.97	Rectangular	√3	0.23	0.26	0.3	0.3	∞
Liquid Permittivity (Measured)	3.04	Normal	1	0.23	0.26	0.7	0.8	47
Combined Standard Uncertainty						± 11.0 %	± 10.7 %	
Expanded Uncertainty (K=2)						± 22.0 %	± 21.4 %	

Head SAR Uncertainty Budget for Frequency Range of 300 MHz to 3 GHz

FCC SAR Test Report

Source of Uncertainty	Uncertainty (± %)	Probability Distribution	Divisor	Ci (1g)	Ci (10g)	Standard Uncertainty (± %, 1g)	Standard Uncertainty (± %, 10g)	Vi
Measurement System								
Probe Calibration	6.55	Normal	1	1	1	6.55	6.55	∞
Axial Isotropy	4.7	Rectangular	√3	0.7	0.7	1.9	1.9	∞
Hemispherical Isotropy	9.6	Rectangular	√3	0.7	0.7	3.9	3.9	∞
Boundary Effect	2.0	Rectangular	√3	1	1	1.2	1.2	∞
Linearity	4.7	Rectangular	√3	1	1	2.7	2.7	∞
Detection Limits	0.25	Rectangular	√3	1	1	0.14	0.14	∞
Probe Modulation Response	3.5	Rectangular	√3	1	1	2.0	2.0	∞
Readout Electronics	0.3	Normal	1	1	1	0.3	0.3	∞
Response Time	0.0	Rectangular	√3	1	1	0.0	0.0	∞
Integration Time	1.7	Rectangular	√3	1	1	1.0	1.0	∞
RF Ambient Conditions – Noise	3.0	Rectangular	√3	1	1	1.7	1.7	∞
RF Ambient Conditions – Reflections	3.0	Rectangular	√3	1	1	1.7	1.7	∞
Probe Positioner Mechanical Tolerance	0.4	Rectangular	√3	1	1	0.2	0.2	∞
Probe Positioning with Respect to Phantom	6.7	Rectangular	√3	1	1	3.9	3.9	∞
Post-processing	4.0	Rectangular	√3	1	1	2.3	2.3	∞
Test Sample Related								
Test Sample Positioning	2.82 / 1.60	Normal	1	1	1	2.8	1.6	35
Device Holder Uncertainty	2.55 / 2.76	Normal	1	1	1	2.6	2.8	7
Power Drift of Measurement	5.0	Rectangular	√3	1	1	2.9	2.9	∞
Power Scaling	0.0	Rectangular	√3	1	1	0.0	0.0	∞
Phantom and Setup								
Phantom Uncertainty (Shape and Thickness Tolerances)	6.6	Rectangular	√3	1	1	3.8	3.8	∞
Liquid Conductivity (Temperature Uncertainty)	2.58	Rectangular	√3	0.78	0.71	1.2	1.1	∞
Liquid Conductivity (Measured)	2.95	Normal	1	0.78	0.71	2.3	2.1	61
Liquid Permittivity (Temperature Uncertainty)	1.97	Rectangular	√3	0.23	0.26	0.3	0.3	∞
Liquid Permittivity (Measured)	3.04	Normal	1	0.23	0.26	0.7	0.8	47
Combined Standard Uncertainty						± 12.1 %	± 11.9 %	
Expanded Uncertainty (K=2)						± 24.2 %	± 23.8 %	

Head SAR Uncertainty Budget for Frequency Range of 3 GHz to 6 GHz

FCC SAR Test Report

Source of Uncertainty	Uncertainty (± %)	Probability Distribution	Divisor	Ci (1g)	Ci (10g)	Standard Uncertainty (± %, 1g)	Standard Uncertainty (± %, 10g)	Vi
Measurement System								
Probe Calibration	6.0	Normal	1	1	1	6.0	6.0	∞
Axial Isotropy	4.7	Rectangular	√3	√0.5	√0.5	1.9	1.9	∞
Hemispherical Isotropy	9.6	Rectangular	√3	√0.5	√0.5	3.9	3.9	∞
Boundary Effect	1.0	Rectangular	√3	1	1	0.6	0.6	∞
Linearity	4.7	Rectangular	√3	1	1	2.7	2.7	∞
Detection Limits	0.25	Rectangular	√3	1	1	0.14	0.14	∞
Probe Modulation Response	3.5	Rectangular	√3	1	1	2.0	2.0	∞
Readout Electronics	0.3	Normal	1	1	1	0.3	0.3	∞
Response Time	0.0	Rectangular	√3	1	1	0.0	0.0	∞
Integration Time	1.7	Rectangular	√3	1	1	1.0	1.0	∞
RF Ambient Conditions – Noise	3.0	Rectangular	√3	1	1	1.7	1.7	∞
RF Ambient Conditions – Reflections	3.0	Rectangular	√3	1	1	1.7	1.7	∞
Probe Positioner Mechanical Tolerance	0.4	Rectangular	√3	1	1	0.2	0.2	∞
Probe Positioning with Respect to Phantom	2.9	Rectangular	√3	1	1	1.7	1.7	∞
Post-processing	2.0	Rectangular	√3	1	1	1.2	1.2	∞
Test Sample Related								
Test Sample Positioning	3.68 / 1.73	Normal	1	1	1	3.7	1.7	29
Device Holder Uncertainty	2.55 / 2.76	Normal	1	1	1	2.6	2.8	7
Power Drift of Measurement	5.0	Rectangular	√3	1	1	2.9	2.9	∞
Power Scaling	0.0	Rectangular	√3	1	1	0.0	0.0	∞
Phantom and Setup								
Phantom Uncertainty (Shape and Thickness Tolerances)	7.2	Rectangular	√3	1	1	4.2	4.2	∞
Liquid Conductivity (Temperature Uncertainty)	2.58	Rectangular	√3	0.78	0.71	1.2	1.1	∞
Liquid Conductivity (Measured)	2.95	Normal	1	0.78	0.71	2.3	2.1	61
Liquid Permittivity (Temperature Uncertainty)	1.97	Rectangular	√3	0.23	0.26	0.3	0.3	∞
Liquid Permittivity (Measured)	3.04	Normal	1	0.23	0.26	0.7	0.8	47
Combined Standard Uncertainty						± 11.4 %	± 11.0 %	
Expanded Uncertainty (K=2)						± 22.8 %	± 22.0 %	

Body SAR Uncertainty Budget for Frequency Range of 300 MHz to 3 GHz

FCC SAR Test Report

Source of Uncertainty	Uncertainty (± %)	Probability Distribution	Divisor	Ci (1g)	Ci (10g)	Standard Uncertainty (± %, 1g)	Standard Uncertainty (± %, 10g)	Vi
Measurement System								
Probe Calibration	6.55	Normal	1	1	1	6.55	6.55	∞
Axial Isotropy	4.7	Rectangular	√3	0.7	0.7	1.9	1.9	∞
Hemispherical Isotropy	9.6	Rectangular	√3	0.7	0.7	3.9	3.9	∞
Boundary Effect	2.0	Rectangular	√3	1	1	1.2	1.2	∞
Linearity	4.7	Rectangular	√3	1	1	2.7	2.7	∞
Detection Limits	0.25	Rectangular	√3	1	1	0.14	0.14	∞
Probe Modulation Response	3.5	Rectangular	√3	1	1	2.0	2.0	∞
Readout Electronics	0.3	Normal	1	1	1	0.3	0.3	∞
Response Time	0.0	Rectangular	√3	1	1	0.0	0.0	∞
Integration Time	1.7	Rectangular	√3	1	1	1.0	1.0	∞
RF Ambient Conditions – Noise	3.0	Rectangular	√3	1	1	1.7	1.7	∞
RF Ambient Conditions – Reflections	3.0	Rectangular	√3	1	1	1.7	1.7	∞
Probe Positioner Mechanical Tolerance	0.4	Rectangular	√3	1	1	0.2	0.2	∞
Probe Positioning with Respect to Phantom	6.7	Rectangular	√3	1	1	3.9	3.9	∞
Post-processing	4.0	Rectangular	√3	1	1	2.3	2.3	∞
Test Sample Related								
Test Sample Positioning	3.68 / 1.73	Normal	1	1	1	3.7	1.7	29
Device Holder Uncertainty	2.55 / 2.76	Normal	1	1	1	2.6	2.8	7
Power Drift of Measurement	5.0	Rectangular	√3	1	1	2.9	2.9	∞
Power Scaling	0.0	Rectangular	√3	1	1	0.0	0.0	∞
Phantom and Setup								
Phantom Uncertainty (Shape and Thickness Tolerances)	7.6	Rectangular	√3	1	1	4.4	4.4	∞
Liquid Conductivity (Temperature Uncertainty)	2.58	Rectangular	√3	0.78	0.71	1.2	1.1	∞
Liquid Conductivity (Measured)	2.95	Normal	1	0.78	0.71	2.3	2.1	61
Liquid Permittivity (Temperature Uncertainty)	1.97	Rectangular	√3	0.23	0.26	0.3	0.3	∞
Liquid Permittivity (Measured)	3.04	Normal	1	0.23	0.26	0.7	0.8	47
Combined Standard Uncertainty						± 12.5 %	± 12.1 %	
Expanded Uncertainty (K=2)						± 25.0 %	± 24.2 %	

Body SAR Uncertainty Budget for Frequency Range of 3 GHz to 6 GHz

7. Information of the Testing Laboratories

We, Bureau Veritas Consumer Products Services (H.K.) Ltd., Taoyuan Branch, were founded in 1988 to provide our best service in EMC, Radio, Telecom and Safety consultation. Our laboratories are accredited and approved according to ISO/IEC 17025.

If you have any comments, please feel free to contact us at the following:

Taiwan HwaYa EMC/RF/Safety/Telecom Lab:

Add: No. 19, Hwa Ya 2nd Rd, Wen Hwa Vil., Kwei Shan Hsiang, Taoyuan Hsien 333, Taiwan, R.O.C.

Tel: 886-3-318-3232

Fax: 886-3-327-0892

Taiwan LinKou EMC/RF Lab:

Add: No. 47-2, 14th Ling, Chia Pau Vil., Linkou Dist., New Taipei City 244, Taiwan, R.O.C.

Tel: 886-2-2605-2180

Fax: 886-2-2605-1924

Taiwan HsinChu EMC/RF Lab:

Add: E-2, No.1, Li Hsin 1st Road, Hsinchu Science Park, Hsinchu City 30078, Taiwan, R.O.C.

Tel: 886-3-593-5343

Fax: 886-3-593-5342

Email: service.adt@tw.bureauveritas.com

Web Site: www.bureauveritas-adt.com

The road map of all our labs can be found in our web site also.

---END---

Appendix A. SAR Plots of System Verification

The plots for system verification with largest deviation for each SAR system combination are shown as follows.

System Check_B750_190227

DUT: Dipole 750 MHz; Type: D750V3; SN: 1013

Communication System: CW; Frequency: 750 MHz; Duty Cycle: 1:1

Medium: B06T09N1_0227 Medium parameters used: $f = 750 \text{ MHz}$; $\sigma = 0.959 \text{ S/m}$; $\epsilon_r = 54.477$; $\rho = 1000 \text{ kg/m}^3$

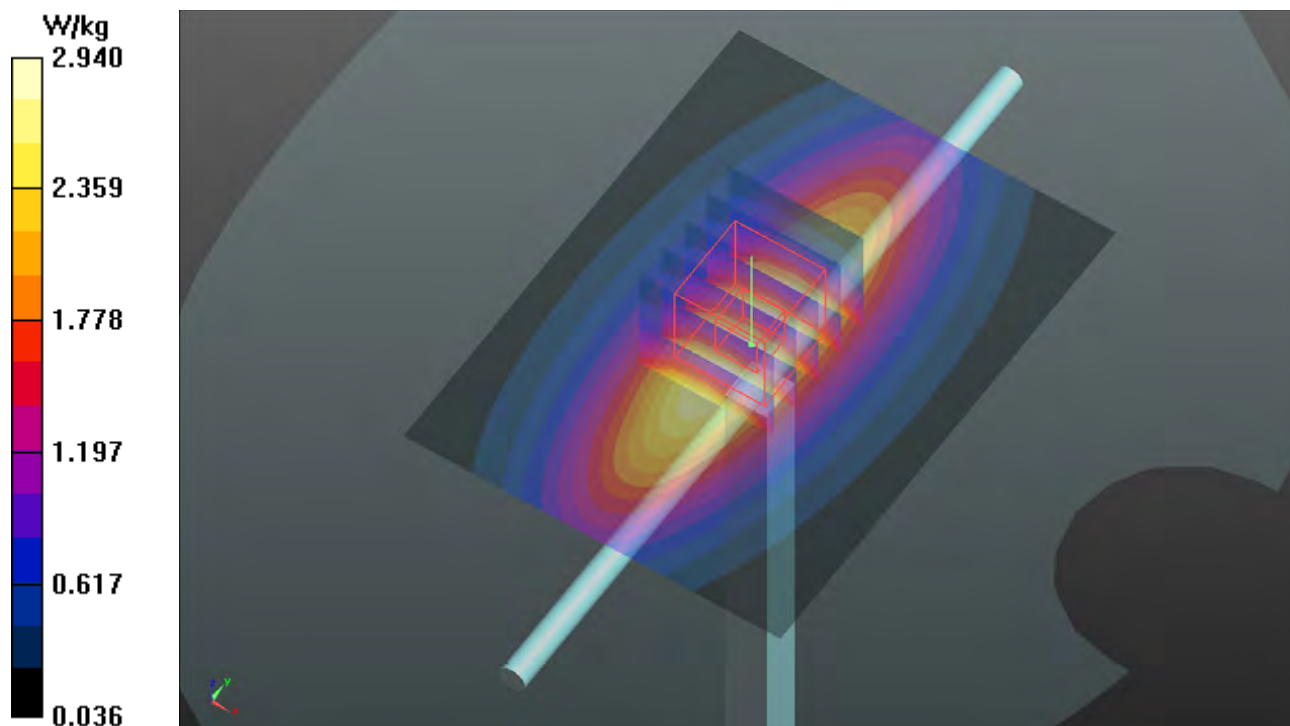
Ambient Temperature : $23.4 \text{ }^\circ\text{C}$; Liquid Temperature : $23.1 \text{ }^\circ\text{C}$

DASY5 Configuration:

- Probe: EX3DV4 - SN3971; ConvF(10.43, 10.43, 10.43); Calibrated: 2018/03/26
- Sensor-Surface: 1.4mm (Mechanical Surface Detection)
- Electronics: DAE4 Sn861; Calibrated: 2018/05/30
- Phantom: Twin SAM Phantom_1496; Type: QD000P40CB;
- Measurement SW: DASY52, Version 52.10 (2); SEMCAD X Version 14.6.12 (7450)

Pin=250mW/Area Scan (61x81x1): Interpolated grid: $dx=1.500 \text{ mm}$, $dy=1.500 \text{ mm}$
 Maximum value of SAR (interpolated) = 2.94 W/kg

Pin=250mW/Zoom Scan (5x5x7)/Cube 0: Measurement grid: $dx=8\text{mm}$, $dy=8\text{mm}$, $dz=5\text{mm}$
 Reference Value = 56.70 V/m ; Power Drift = 0.05 dB
 Peak SAR (extrapolated) = 3.53 W/kg
SAR(1 g) = 2.30 W/kg ; SAR(10 g) = 1.49 W/kg
 Maximum value of SAR (measured) = 2.96 W/kg



System Check_B835_190221

DUT: Dipole 835 MHz; Type: D835V2; SN: 4d121

Communication System: CW; Frequency: 835 MHz; Duty Cycle: 1:1

Medium: B07T10N1_0221 Medium parameters used: $f = 835 \text{ MHz}$; $\sigma = 0.983 \text{ S/m}$; $\epsilon_r = 54.141$; $\rho = 1000 \text{ kg/m}^3$

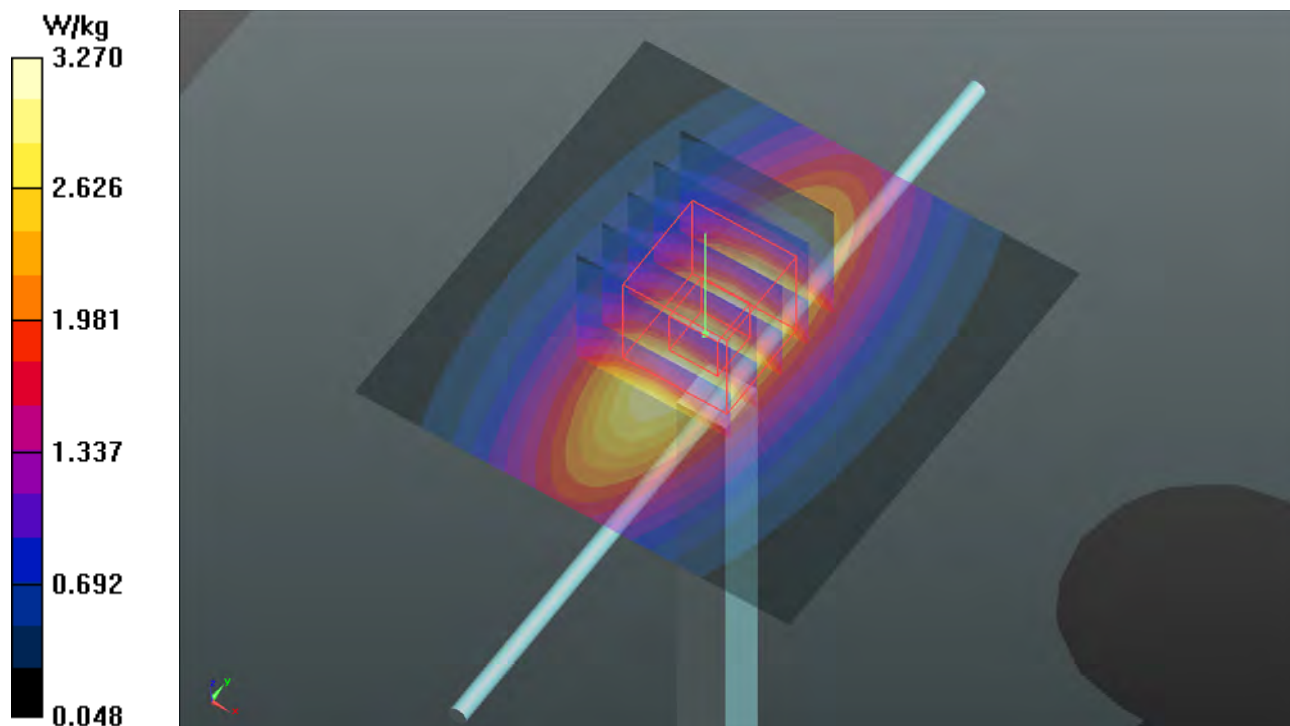
Ambient Temperature : $23.6 \text{ }^\circ\text{C}$; Liquid Temperature : $23.4 \text{ }^\circ\text{C}$

DASY5 Configuration:

- Probe: EX3DV4 - SN3971; ConvF(10.15, 10.15, 10.15); Calibrated: 2018/03/26
- Sensor-Surface: 1.4mm (Mechanical Surface Detection)
- Electronics: DAE4 Sn861; Calibrated: 2018/05/30
- Phantom: Twin SAM Phantom_1496; Type: QD000P40CB;
- Measurement SW: DASY52, Version 52.10 (2); SEMCAD X Version 14.6.12 (7450)

Pin=250mW/Area Scan (61x61x1): Interpolated grid: $dx=1.500 \text{ mm}$, $dy=1.500 \text{ mm}$
Maximum value of SAR (interpolated) = 3.27 W/kg

Pin=250mW/Zoom Scan (5x5x7)/Cube 0: Measurement grid: $dx=8\text{mm}$, $dy=8\text{mm}$, $dz=5\text{mm}$
Reference Value = 55.45 V/m ; Power Drift = -0.01 dB
Peak SAR (extrapolated) = 3.88 W/kg
SAR(1 g) = 2.54 W/kg ; SAR(10 g) = 1.62 W/kg
Maximum value of SAR (measured) = 3.27 W/kg



System Check_B1750_190301

DUT: Dipole 1750 MHz; Type: D1750V2; SN: 1055

Communication System: CW; Frequency: 1750 MHz; Duty Cycle: 1:1

Medium: B16T20N1_0301 Medium parameters used: $f = 1750$ MHz; $\sigma = 1.429$ S/m; $\epsilon_r = 51.922$; $\rho = 1000$ kg/m³

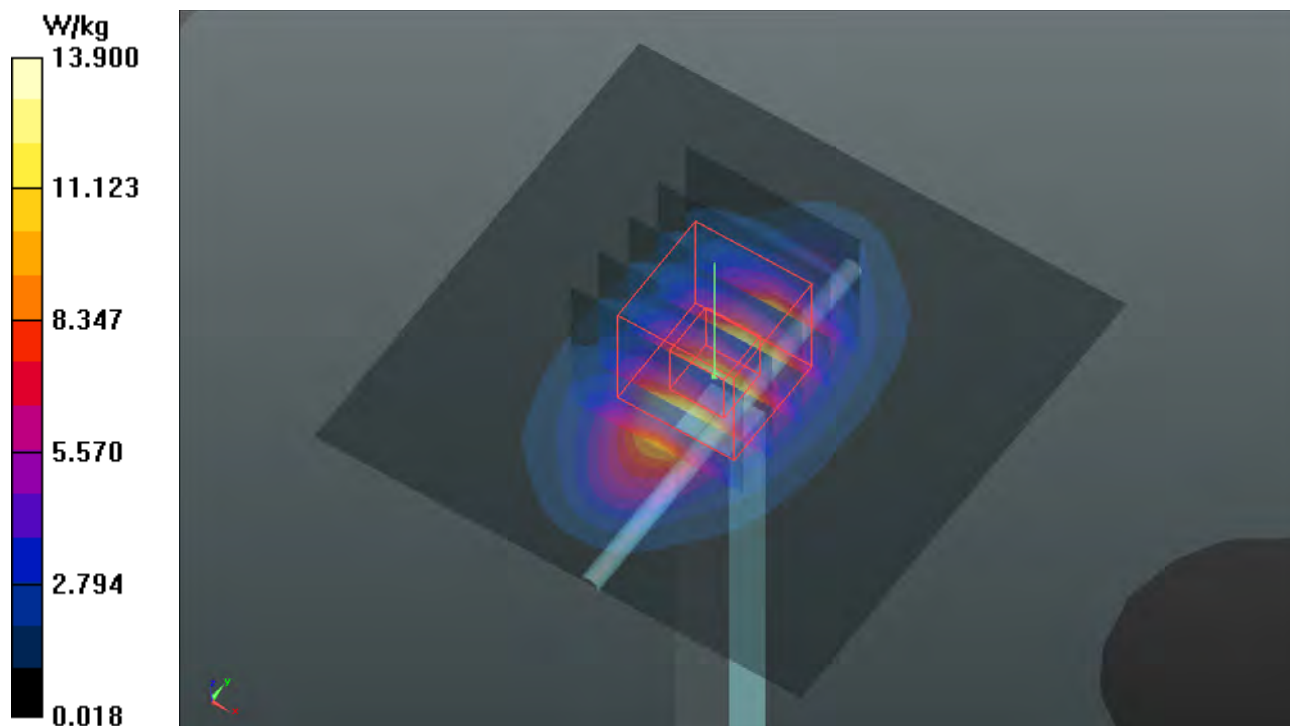
Ambient Temperature : 23.4 °C ; Liquid Temperature : 23.1 °C

DASY5 Configuration:

- Probe: EX3DV4 - SN3971; ConvF(8.34, 8.34, 8.34); Calibrated: 2018/03/26
- Sensor-Surface: 1.4mm (Mechanical Surface Detection)
- Electronics: DAE4 Sn861; Calibrated: 2018/05/30
- Phantom: Twin SAM Phantom_1496; Type: QD000P40CB;
- Measurement SW: DASY52, Version 52.10 (2); SEMCAD X Version 14.6.12 (7450)

Pin=250mW/Area Scan (61x61x1): Interpolated grid: dx=1.500 mm, dy=1.500 mm
Maximum value of SAR (interpolated) = 13.9 W/kg

Pin=250mW/Zoom Scan (5x5x7)/Cube 0: Measurement grid: dx=8mm, dy=8mm, dz=5mm
Reference Value = 95.45 V/m; Power Drift = -0.08 dB
Peak SAR (extrapolated) = 17.0 W/kg
SAR(1 g) = 8.91 W/kg; SAR(10 g) = 4.67 W/kg
Maximum value of SAR (measured) = 14.1 W/kg



System Check_B1900_190221

DUT: Dipole 1900 MHz; Type: D1900V2; SN: 5d018

Communication System: CW; Frequency: 1900 MHz; Duty Cycle: 1:1

Medium: B16T20N1_0221 Medium parameters used: $f = 1900$ MHz; $\sigma = 1.584$ S/m; $\epsilon_r = 50.723$; $\rho = 1000$ kg/m³

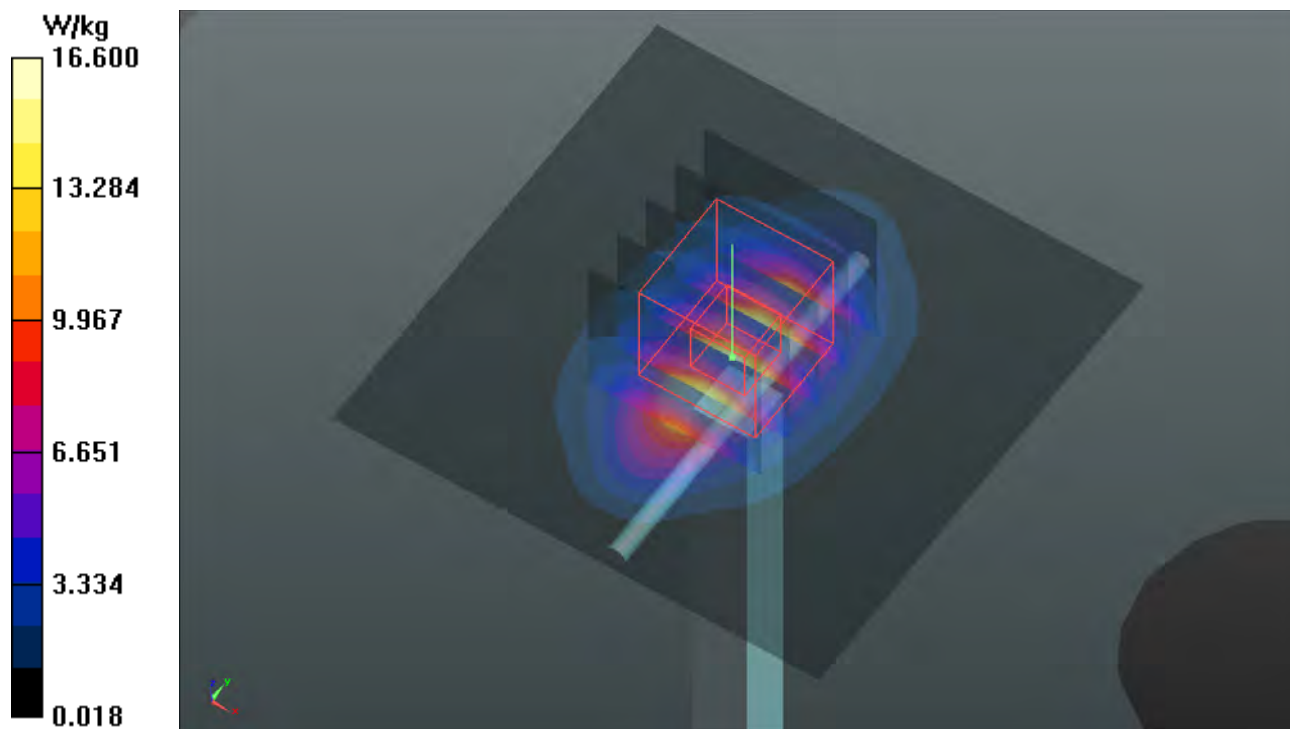
Ambient Temperature : 23.6 °C ; Liquid Temperature : 23.4 °C

DASY5 Configuration:

- Probe: EX3DV4 - SN3971; ConvF(8.08, 8.08, 8.08); Calibrated: 2018/03/26
- Sensor-Surface: 1.4mm (Mechanical Surface Detection)
- Electronics: DAE4 Sn861; Calibrated: 2018/05/30
- Phantom: Twin SAM Phantom_1496; Type: QD000P40CB;
- Measurement SW: DASY52, Version 52.10 (2); SEMCAD X Version 14.6.12 (7450)

Pin=250mW/Area Scan (61x61x1): Interpolated grid: dx=1.500 mm, dy=1.500 mm
Maximum value of SAR (interpolated) = 16.6 W/kg

Pin=250mW/Zoom Scan (5x5x7)/Cube 0: Measurement grid: dx=8mm, dy=8mm, dz=5mm
Reference Value = 99.22 V/m; Power Drift = -0.11 dB
Peak SAR (extrapolated) = 19.9 W/kg
SAR(1 g) = 10.5 W/kg; SAR(10 g) = 5.35 W/kg
Maximum value of SAR (measured) = 16.6 W/kg



System Check_B2450_190226

DUT: Dipole 2450 MHz; Type: D2450V2; SN: 737

Communication System: CW; Frequency: 2450 MHz; Duty Cycle: 1:1

Medium: B19T27N1_0226 Medium parameters used: $f = 2450$ MHz; $\sigma = 1.997$ S/m; $\epsilon_r = 52.558$; $\rho = 1000$ kg/m³

Ambient Temperature : 23.6 °C ; Liquid Temperature : 23.3 °C

DASY5 Configuration:

- Probe: EX3DV4 - SN7472; ConvF(7.84, 7.84, 7.84); Calibrated: 2018/08/29
- Sensor-Surface: 1.4mm (Mechanical Surface Detection)
- Electronics: DAE4 Sn1431; Calibrated: 2018/03/16
- Phantom: Twin SAM Phantom_1822; Type: QD000P40CD;
- Measurement SW: DASY52, Version 52.10 (2); SEMCAD X Version 14.6.12 (7450)

Pin=250mW/Area Scan (81x81x1): Interpolated grid: dx=1.200 mm, dy=1.200 mm
Maximum value of SAR (interpolated) = 18.6 W/kg

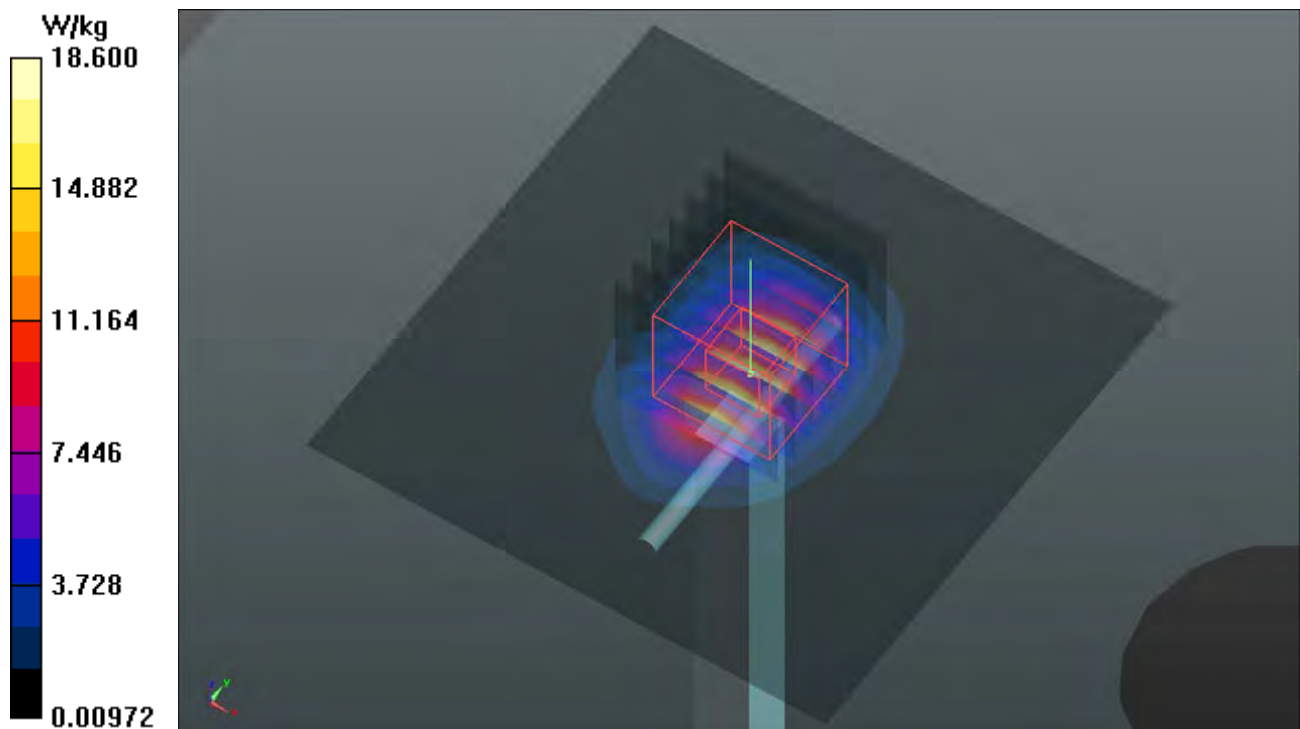
Pin=250mW/Zoom Scan (7x7x7)/Cube 0: Measurement grid: dx=5mm, dy=5mm, dz=5mm

Reference Value = 98.30 V/m; Power Drift = -0.02 dB

Peak SAR (extrapolated) = 25.1 W/kg

SAR(1 g) = 12.2 W/kg; SAR(10 g) = 5.62 W/kg

Maximum value of SAR (measured) = 18.7 W/kg



System Check_B2600_190221

DUT: Dipole 2600 MHz; Type: D2600V2; SN: 1020

Communication System: CW; Frequency: 2600 MHz; Duty Cycle: 1:1

Medium: B19T27N1_0221 Medium parameters used: $f = 2600$ MHz; $\sigma = 2.159$ S/m; $\epsilon_r = 51$; $\rho = 1000$ kg/m³

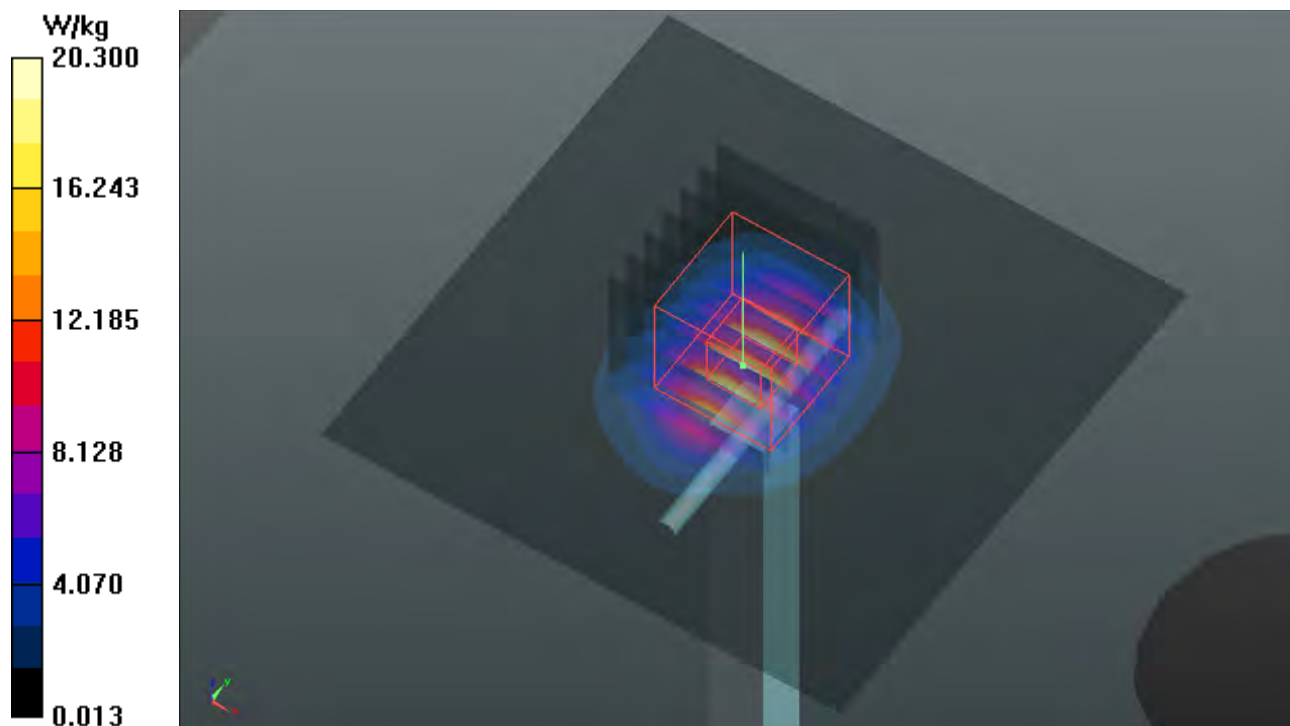
Ambient Temperature : 23.6 °C ; Liquid Temperature : 23.4 °C

DASY5 Configuration:

- Probe: EX3DV4 - SN3971; ConvF(7.36, 7.36, 7.36); Calibrated: 2018/03/26
- Sensor-Surface: 1.4mm (Mechanical Surface Detection)
- Electronics: DAE4 Sn861; Calibrated: 2018/05/30
- Phantom: Twin SAM Phantom_1496; Type: QD000P40CB;
- Measurement SW: DASY52, Version 52.10 (2); SEMCAD X Version 14.6.12 (7450)

Pin=250mW/Area Scan (81x81x1): Interpolated grid: dx=1.200 mm, dy=1.200 mm
Maximum value of SAR (interpolated) = 20.3 W/kg

Pin=250mW/Zoom Scan (7x7x7)/Cube 0: Measurement grid: dx=5mm, dy=5mm, dz=5mm
Reference Value = 99.00 V/m; Power Drift = 0.01 dB
Peak SAR (extrapolated) = 27.7 W/kg
SAR(1 g) = 13 W/kg; SAR(10 g) = 5.8 W/kg
Maximum value of SAR (measured) = 20.3 W/kg



System Check_B5250_190226

DUT: Dipole 5 GHz; Type: D5GHzV2; SN: 1019

Communication System: CW; Frequency: 5250 MHz; Duty Cycle: 1:1

Medium: B34T60N1_0226 Medium parameters used: $f = 5250$ MHz; $\sigma = 5.439$ S/m; $\epsilon_r = 47.681$; $\rho = 1000$ kg/m³

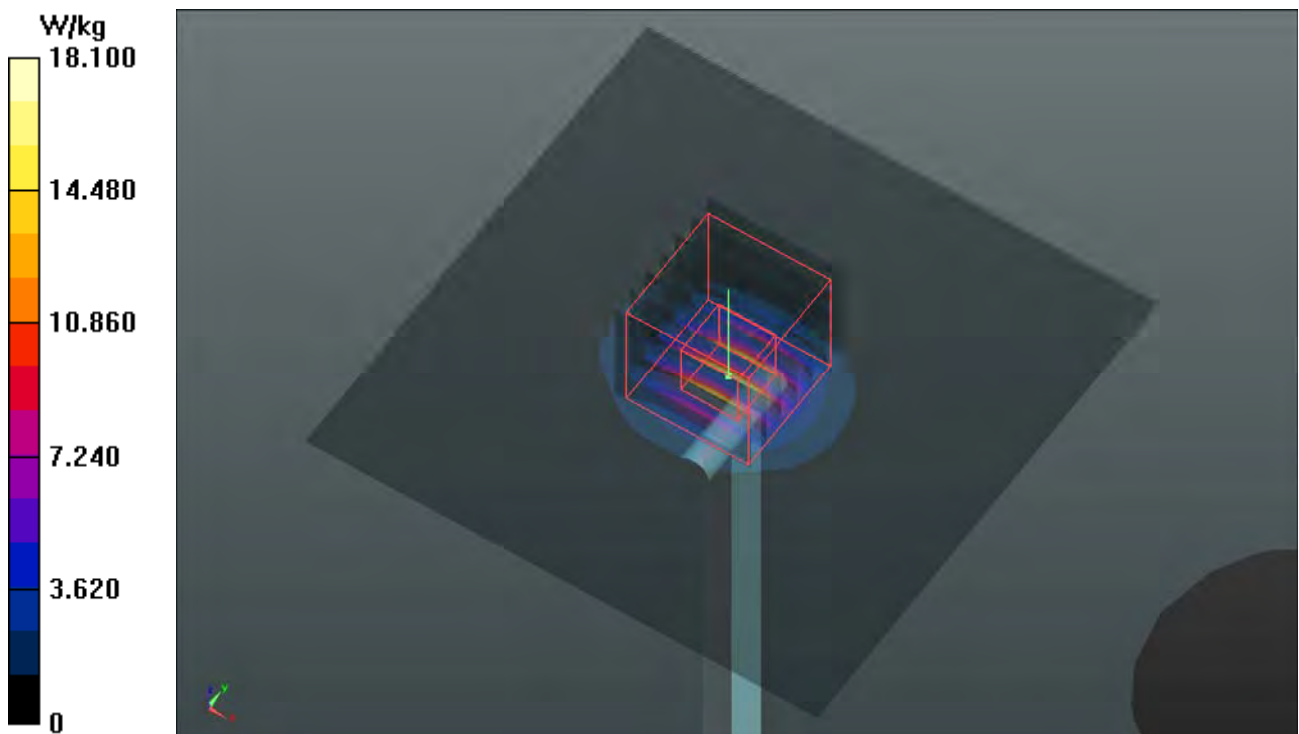
Ambient Temperature : 23.6 °C ; Liquid Temperature : 23.3 °C

DASY5 Configuration:

- Probe: EX3DV4 - SN7472; ConvF(4.9, 4.9, 4.9); Calibrated: 2018/08/29
- Sensor-Surface: 1.4mm (Mechanical Surface Detection)
- Electronics: DAE4 Sn1431; Calibrated: 2018/03/16
- Phantom: Twin SAM Phantom_1822; Type: QD000P40CD;
- Measurement SW: DASY52, Version 52.10 (2); SEMCAD X Version 14.6.12 (7450)

Pin=100mW/Area Scan (91x91x1): Interpolated grid: dx=1.000 mm, dy=1.000 mm
Maximum value of SAR (interpolated) = 18.1 W/kg

Pin=100mW/Zoom Scan (7x7x12)/Cube 0: Measurement grid: dx=4mm, dy=4mm, dz=2mm
Reference Value = 66.60 V/m; Power Drift = -0.03 dB
Peak SAR (extrapolated) = 34.6 W/kg
SAR(1 g) = 7.77 W/kg; SAR(10 g) = 2.19 W/kg
Maximum value of SAR (measured) = 20.1 W/kg



System Check_B5600_190226

DUT: Dipole 5 GHz; Type: D5GHzV2; SN: 1019

Communication System: CW; Frequency: 5600 MHz; Duty Cycle: 1:1

Medium: B34T60N1_0226 Medium parameters used: $f = 5600$ MHz; $\sigma = 5.922$ S/m; $\epsilon_r = 47.005$; $\rho = 1000$ kg/m³

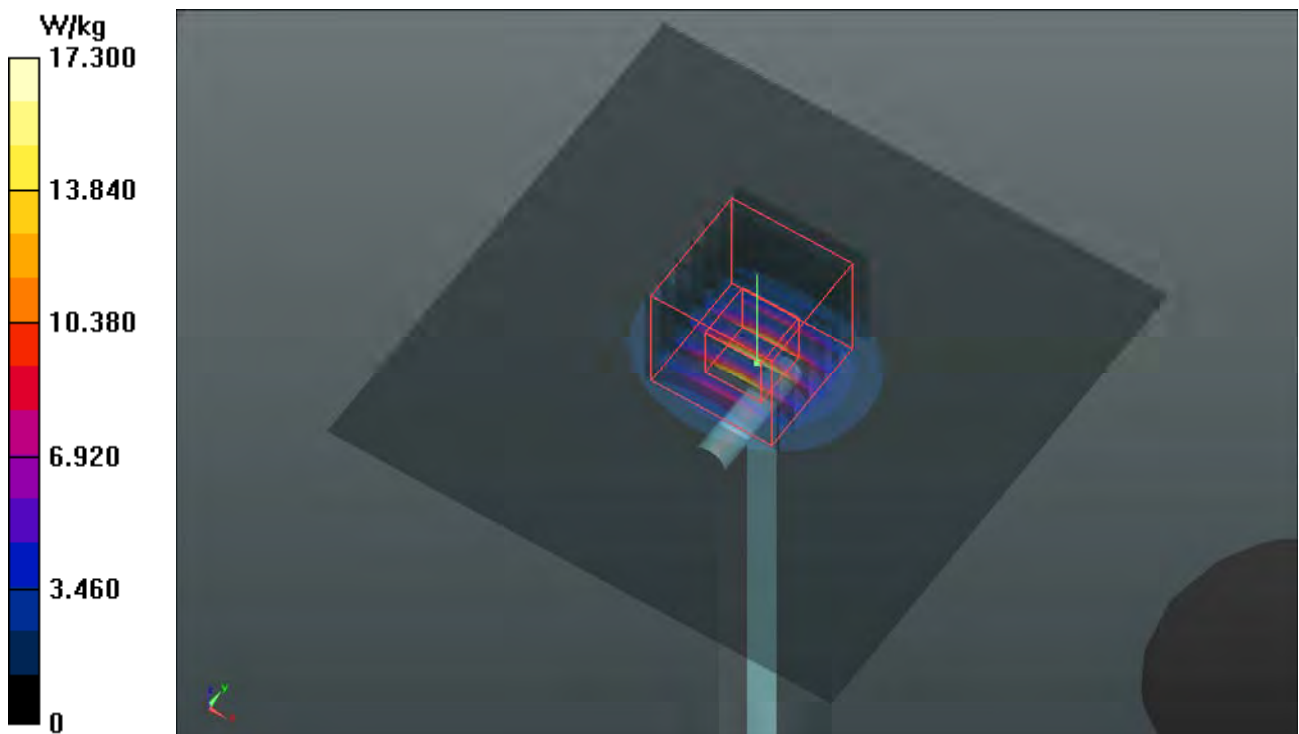
Ambient Temperature : 23.6 °C ; Liquid Temperature : 23.3 °C

DASY5 Configuration:

- Probe: EX3DV4 - SN7472; ConvF(4.37, 4.37, 4.37); Calibrated: 2018/08/29
- Sensor-Surface: 1.4mm (Mechanical Surface Detection)
- Electronics: DAE4 Sn1431; Calibrated: 2018/03/16
- Phantom: Twin SAM Phantom_1822; Type: QD000P40CD;
- Measurement SW: DASY52, Version 52.10 (2); SEMCAD X Version 14.6.12 (7450)

Pin=100mW/Area Scan (91x91x1): Interpolated grid: dx=1.000 mm, dy=1.000 mm
Maximum value of SAR (interpolated) = 17.3 W/kg

Pin=100mW/Zoom Scan (7x7x12)/Cube 0: Measurement grid: dx=4mm, dy=4mm, dz=2mm
Reference Value = 64.18 V/m; Power Drift = -0.03 dB
Peak SAR (extrapolated) = 30.6 W/kg
SAR(1 g) = 7.41 W/kg; SAR(10 g) = 2.09 W/kg
Maximum value of SAR (measured) = 18.6 W/kg



System Check_B5750_190226

DUT: Dipole 5 GHz; Type: D5GHzV2; SN: 1019

Communication System: CW; Frequency: 5750 MHz; Duty Cycle: 1:1

Medium: B34T60N1_0226 Medium parameters used: $f = 5750$ MHz; $\sigma = 6.121$ S/m; $\epsilon_r = 46.669$; $\rho = 1000$ kg/m³

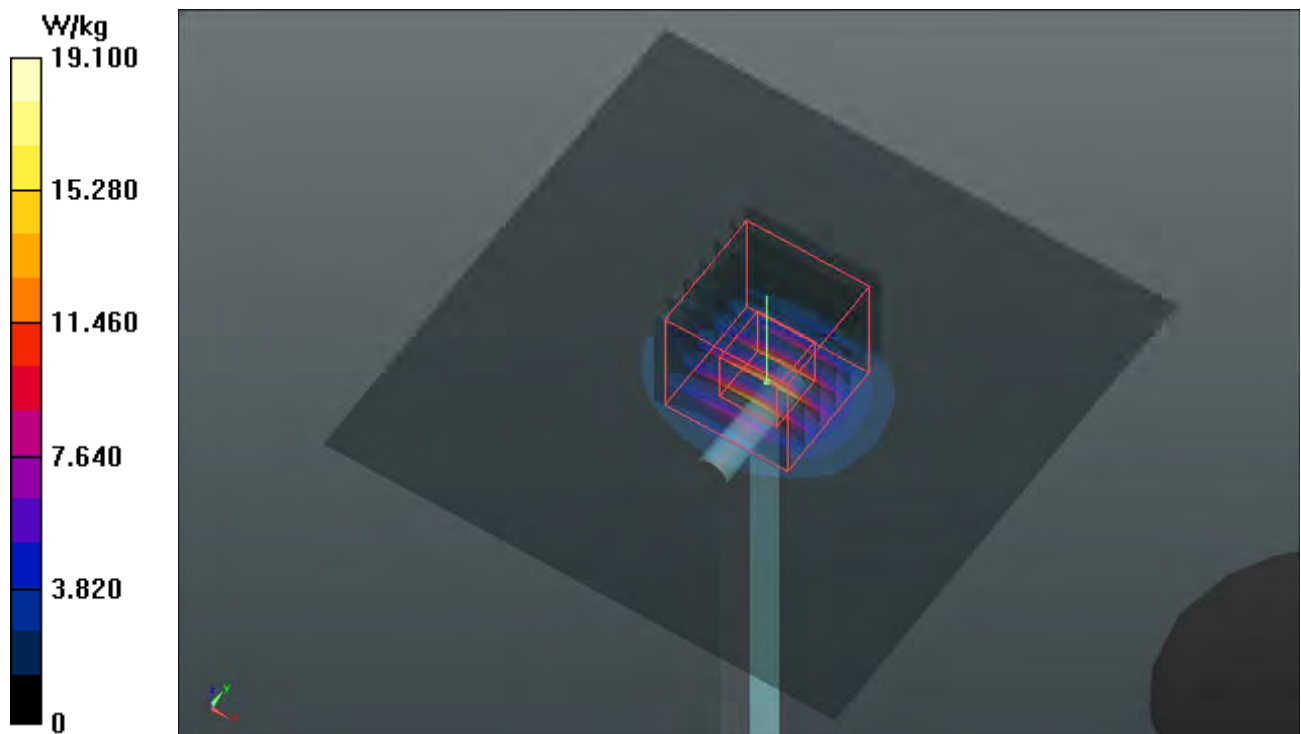
Ambient Temperature : 23.6 °C ; Liquid Temperature : 23.3 °C

DASY5 Configuration:

- Probe: EX3DV4 - SN7472; ConvF(4.56, 4.56, 4.56); Calibrated: 2018/08/29
- Sensor-Surface: 1.4mm (Mechanical Surface Detection)
- Electronics: DAE4 Sn1431; Calibrated: 2018/03/16
- Phantom: Twin SAM Phantom_1822; Type: QD000P40CD;
- Measurement SW: DASY52, Version 52.10 (2); SEMCAD X Version 14.6.12 (7450)

Pin=100mW/Area Scan (91x91x1): Interpolated grid: dx=1.000 mm, dy=1.000 mm
Maximum value of SAR (interpolated) = 19.1 W/kg

Pin=100mW/Zoom Scan (7x7x12)/Cube 0: Measurement grid: dx=4mm, dy=4mm, dz=2mm
Reference Value = 61.45 V/m; Power Drift = -0.08 dB
Peak SAR (extrapolated) = 34.6 W/kg
SAR(1 g) = 7.67 W/kg; SAR(10 g) = 2.19 W/kg
Maximum value of SAR (measured) = 20.0 W/kg



System Check_B750_190219

DUT: Dipole 750 MHz; Type: D750V3; SN: 1013

Communication System: CW; Frequency: 750 MHz; Duty Cycle: 1:1

Medium: B06T09N1_0219 Medium parameters used: $f = 750 \text{ MHz}$; $\sigma = 0.963 \text{ S/m}$; $\epsilon_r = 53.923$; $\rho = 1000 \text{ kg/m}^3$

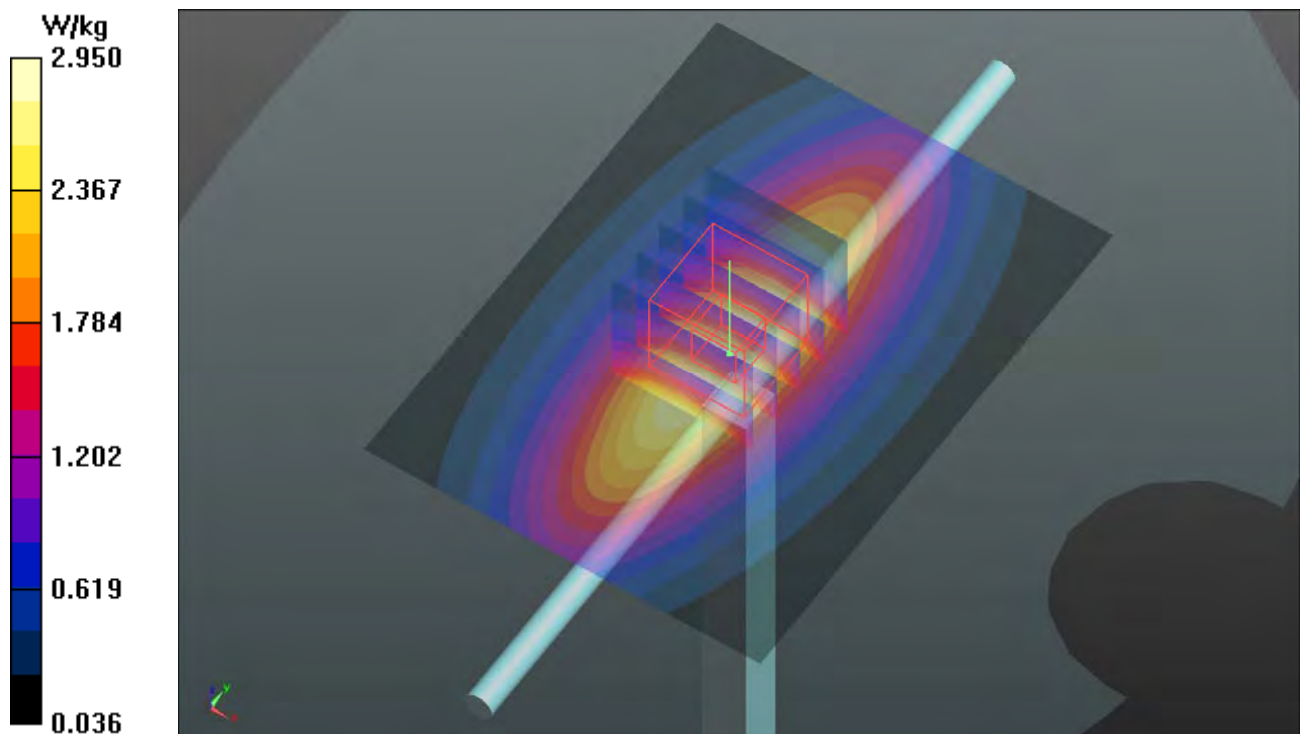
Ambient Temperature : $23.7 \text{ }^\circ\text{C}$; Liquid Temperature : $23.5 \text{ }^\circ\text{C}$

DASY5 Configuration:

- Probe: EX3DV4 - SN7472; ConvF(10.66, 10.66, 10.66); Calibrated: 2018/08/29
- Sensor-Surface: 1.4mm (Mechanical Surface Detection)
- Electronics: DAE4 Sn1431; Calibrated: 2018/03/16
- Phantom: Twin SAM Phantom_1822; Type: QD000P40CD;
- Measurement SW: DASY52, Version 52.10 (2); SEMCAD X Version 14.6.12 (7450)

Pin=250mW/Area Scan (61x81x1): Interpolated grid: $dx=1.500 \text{ mm}$, $dy=1.500 \text{ mm}$
Maximum value of SAR (interpolated) = 2.95 W/kg

Pin=250mW/Zoom Scan (5x5x7)/Cube 0: Measurement grid: $dx=8\text{mm}$, $dy=8\text{mm}$, $dz=5\text{mm}$
Reference Value = 56.63 V/m ; Power Drift = 0.05 dB
Peak SAR (extrapolated) = 3.54 W/kg
SAR(1 g) = 2.31 W/kg ; SAR(10 g) = 1.5 W/kg
Maximum value of SAR (measured) = 2.96 W/kg



System Check_B835_190219

DUT: Dipole 835 MHz; Type: D835V2; SN: 4d121

Communication System: CW; Frequency: 835 MHz; Duty Cycle: 1:1

Medium: B07T10N1_0219 Medium parameters used: $f = 835$ MHz; $\sigma = 0.985$ S/m; $\epsilon_r = 55.746$; $\rho = 1000$ kg/m³

Ambient Temperature : 23.7 °C ; Liquid Temperature : 23.5 °C

DASY5 Configuration:

- Probe: EX3DV4 - SN7472; ConvF(10.35, 10.35, 10.35); Calibrated: 2018/08/29
- Sensor-Surface: 1.4mm (Mechanical Surface Detection)
- Electronics: DAE4 Sn1431; Calibrated: 2018/03/16
- Phantom: Twin SAM Phantom_1822; Type: QD000P40CD;
- Measurement SW: DASY52, Version 52.10 (2); SEMCAD X Version 14.6.12 (7450)

Pin=250mW/Area Scan (61x61x1): Interpolated grid: dx=1.500 mm, dy=1.500 mm
Maximum value of SAR (interpolated) = 3.27 W/kg

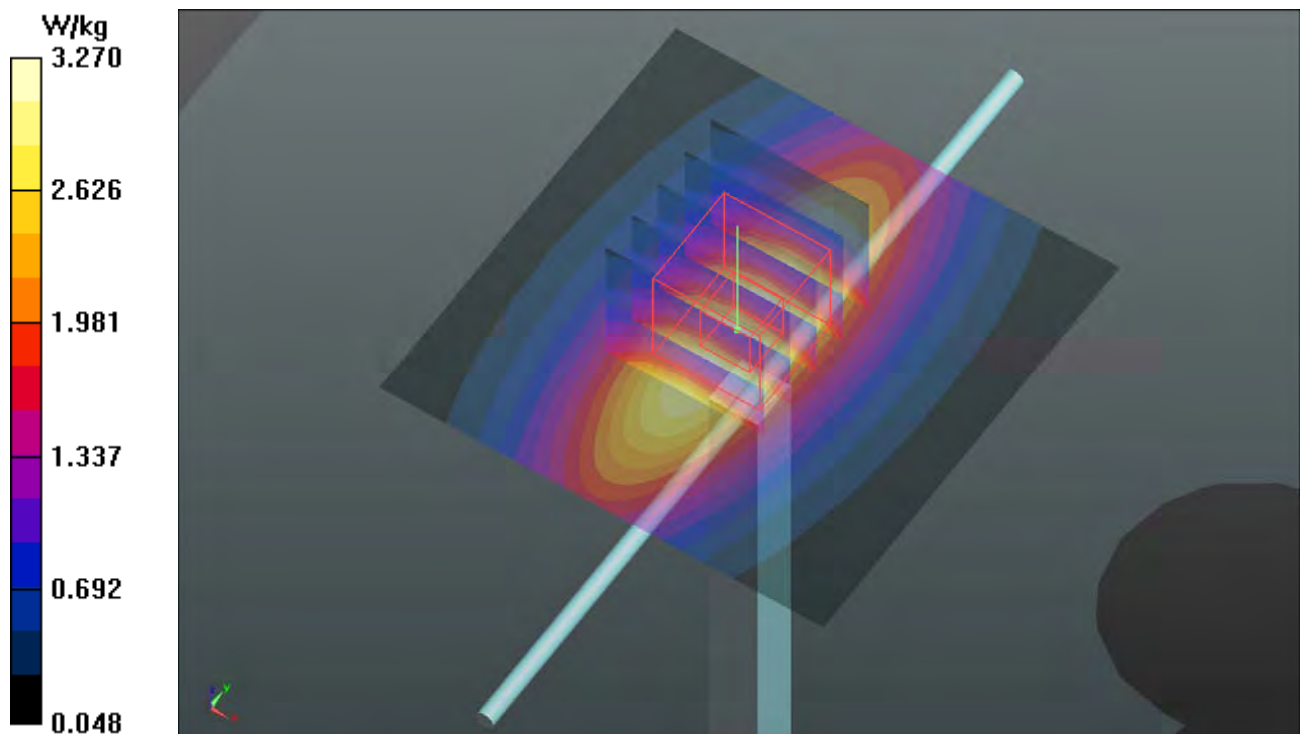
Pin=250mW/Zoom Scan (5x5x7)/Cube 0: Measurement grid: dx=8mm, dy=8mm, dz=5mm

Reference Value = 55.38 V/m; Power Drift = -0.01 dB

Peak SAR (extrapolated) = 3.88 W/kg

SAR(1 g) = 2.54 W/kg; SAR(10 g) = 1.63 W/kg

Maximum value of SAR (measured) = 3.27 W/kg



System Check_B1750_190301

DUT: Dipole 1750 MHz; Type: D1750V2; SN: 1055

Communication System: CW; Frequency: 1750 MHz; Duty Cycle: 1:1

Medium: B16T20N1_0301 Medium parameters used: $f = 1750$ MHz; $\sigma = 1.429$ S/m; $\epsilon_r = 51.922$; $\rho = 1000$ kg/m³

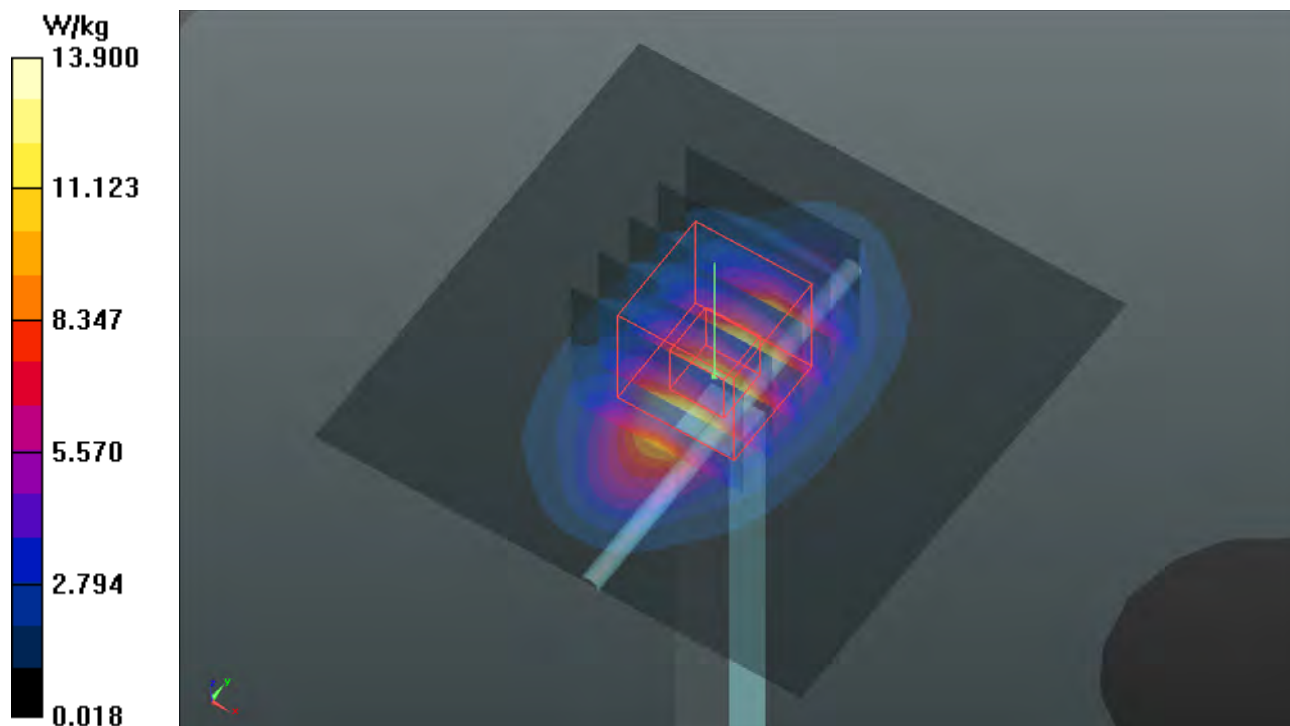
Ambient Temperature : 23.4 °C ; Liquid Temperature : 23.1 °C

DASY5 Configuration:

- Probe: EX3DV4 - SN3971; ConvF(8.34, 8.34, 8.34); Calibrated: 2018/03/26
- Sensor-Surface: 1.4mm (Mechanical Surface Detection)
- Electronics: DAE4 Sn861; Calibrated: 2018/05/30
- Phantom: Twin SAM Phantom_1496; Type: QD000P40CB;
- Measurement SW: DASY52, Version 52.10 (2); SEMCAD X Version 14.6.12 (7450)

Pin=250mW/Area Scan (61x61x1): Interpolated grid: dx=1.500 mm, dy=1.500 mm
Maximum value of SAR (interpolated) = 13.9 W/kg

Pin=250mW/Zoom Scan (5x5x7)/Cube 0: Measurement grid: dx=8mm, dy=8mm, dz=5mm
Reference Value = 95.45 V/m; Power Drift = -0.08 dB
Peak SAR (extrapolated) = 17.0 W/kg
SAR(1 g) = 8.91 W/kg; SAR(10 g) = 4.67 W/kg
Maximum value of SAR (measured) = 14.1 W/kg



System Check_B1900_190301

DUT: Dipole 1900 MHz; Type: D1900V2; SN: 5d018

Communication System: CW; Frequency: 1900 MHz; Duty Cycle: 1:1

Medium: B16T20N1_0301 Medium parameters used: $f = 1900$ MHz; $\sigma = 1.568$ S/m; $\epsilon_r = 51.543$; $\rho = 1000$ kg/m³

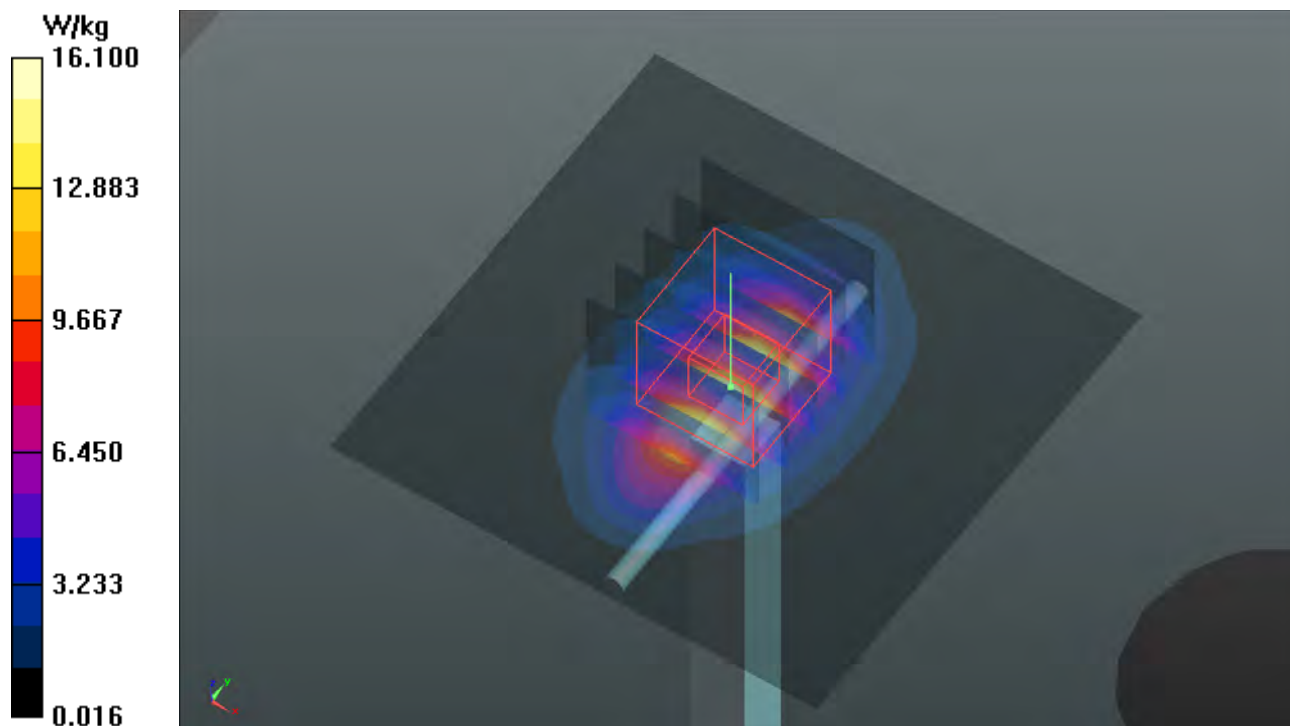
Ambient Temperature : 23.4 °C ; Liquid Temperature : 23.1 °C

DASY5 Configuration:

- Probe: EX3DV4 - SN3971; ConvF(8.08, 8.08, 8.08); Calibrated: 2018/03/26
- Sensor-Surface: 1.4mm (Mechanical Surface Detection)
- Electronics: DAE4 Sn861; Calibrated: 2018/05/30
- Phantom: Twin SAM Phantom_1496; Type: QD000P40CB;
- Measurement SW: DASY52, Version 52.10 (2); SEMCAD X Version 14.6.12 (7450)

Pin=250mW/Area Scan (61x61x1): Interpolated grid: dx=1.500 mm, dy=1.500 mm
Maximum value of SAR (interpolated) = 16.1 W/kg

Pin=250mW/Zoom Scan (5x5x7)/Cube 0: Measurement grid: dx=8mm, dy=8mm, dz=5mm
Reference Value = 98.12 V/m; Power Drift = -0.10 dB
Peak SAR (extrapolated) = 19.2 W/kg
SAR(1 g) = 10.1 W/kg; SAR(10 g) = 5.17 W/kg
Maximum value of SAR (measured) = 16.1 W/kg



System Check_B2450_190219

DUT: Dipole 2450 MHz; Type: D2450V2; SN: 737

Communication System: CW; Frequency: 2450 MHz; Duty Cycle: 1:1

Medium: B19T27N1_0219 Medium parameters used: $f = 2450$ MHz; $\sigma = 2.011$ S/m; $\epsilon_r = 51.429$; $\rho = 1000$ kg/m³

Ambient Temperature : 23.7 °C ; Liquid Temperature : 23.5 °C

DASY5 Configuration:

- Probe: EX3DV4 - SN7472; ConvF(7.84, 7.84, 7.84); Calibrated: 2018/08/29
- Sensor-Surface: 1.4mm (Mechanical Surface Detection)
- Electronics: DAE4 Sn1431; Calibrated: 2018/03/16
- Phantom: Twin SAM Phantom_1822; Type: QD000P40CD;
- Measurement SW: DASY52, Version 52.10 (2); SEMCAD X Version 14.6.12 (7450)

Pin=250mW/Area Scan (81x81x1): Interpolated grid: dx=1.200 mm, dy=1.200 mm
Maximum value of SAR (interpolated) = 18.1 W/kg

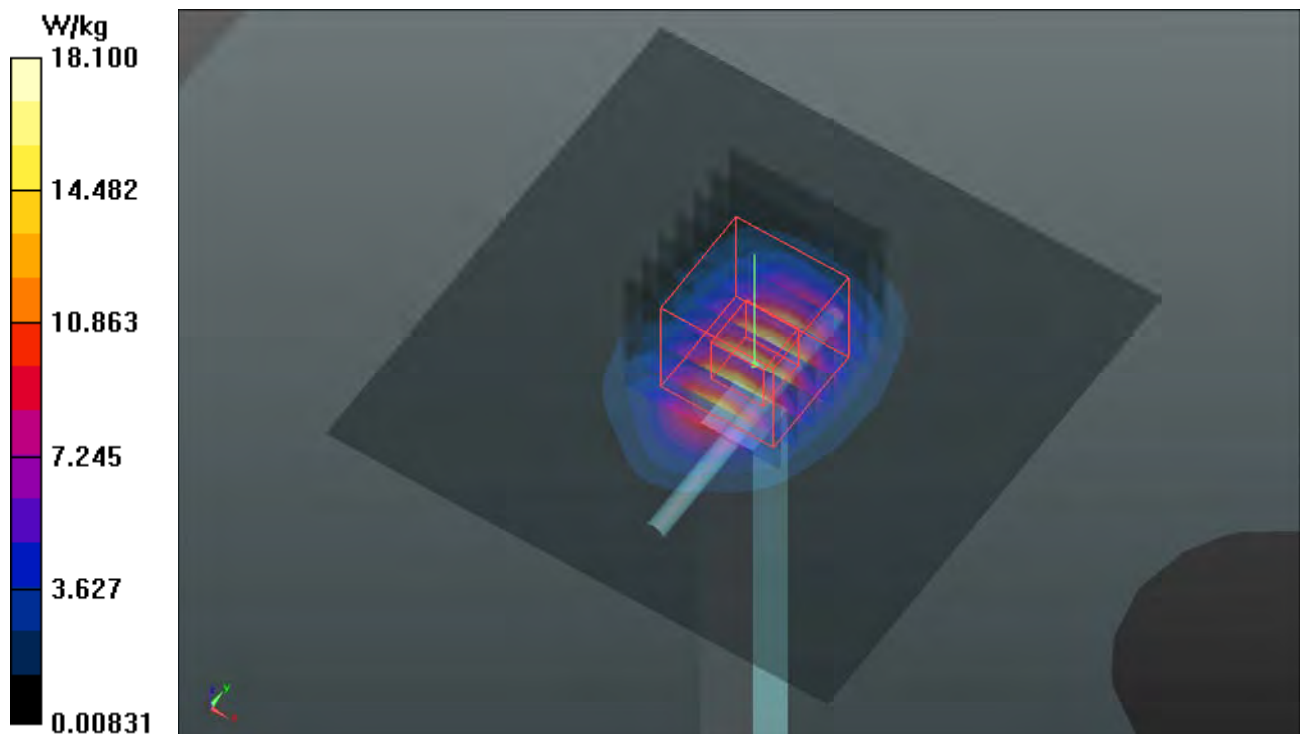
Pin=250mW/Zoom Scan (7x7x7)/Cube 0: Measurement grid: dx=5mm, dy=5mm, dz=5mm

Reference Value = 97.22 V/m; Power Drift = -0.02 dB

Peak SAR (extrapolated) = 24.1 W/kg

SAR(1 g) = 11.9 W/kg; SAR(10 g) = 5.51 W/kg

Maximum value of SAR (measured) = 18.2 W/kg



System Check_B2600_190227

DUT: Dipole 2600 MHz; Type: D2600V2; SN: 1020

Communication System: CW; Frequency: 2600 MHz; Duty Cycle: 1:1

Medium: B19T27N1_0227 Medium parameters used: $f = 2600$ MHz; $\sigma = 2.157$ S/m; $\epsilon_r = 50.441$; $\rho = 1000$ kg/m³

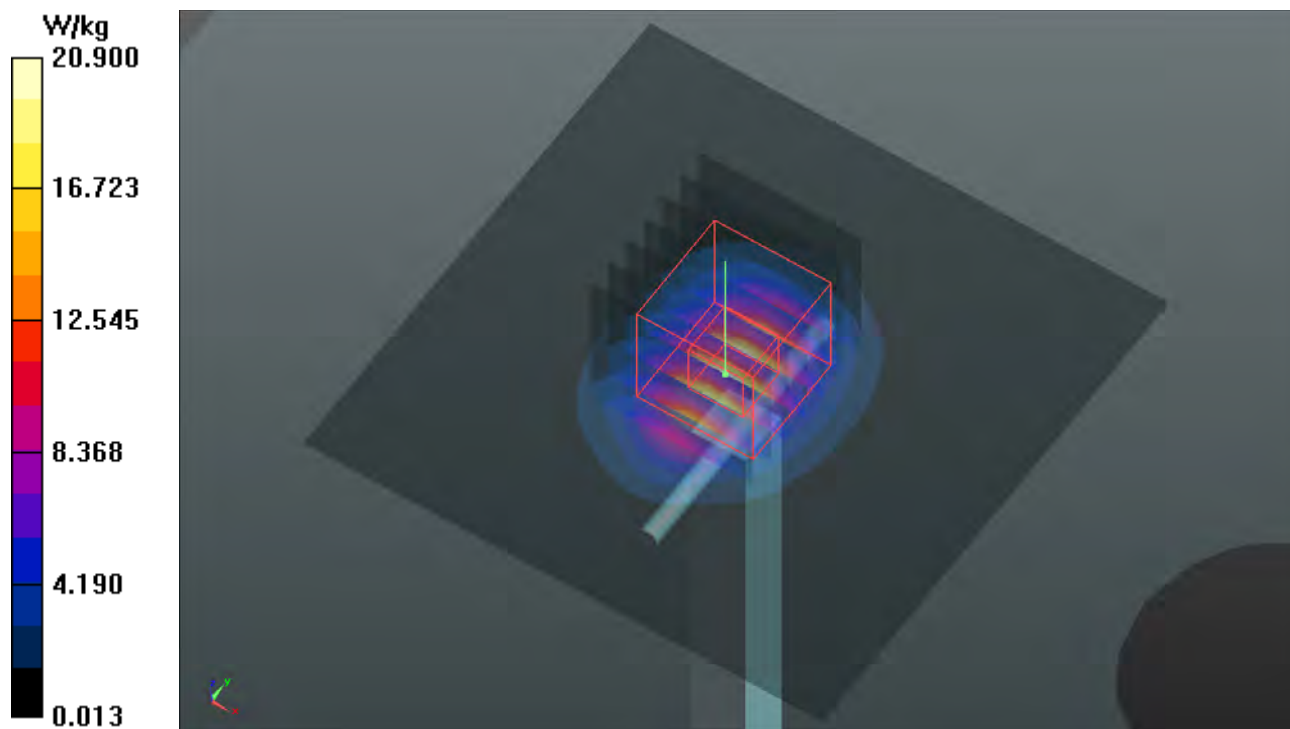
Ambient Temperature : 23.4 °C ; Liquid Temperature : 23.1 °C

DASY5 Configuration:

- Probe: EX3DV4 - SN3971; ConvF(7.36, 7.36, 7.36); Calibrated: 2018/03/26
- Sensor-Surface: 1.4mm (Mechanical Surface Detection)
- Electronics: DAE4 Sn861; Calibrated: 2018/05/30
- Phantom: Twin SAM Phantom_1496; Type: QD000P40CB;
- Measurement SW: DASY52, Version 52.10 (2); SEMCAD X Version 14.6.12 (7450)

Pin=250mW/Area Scan (81x81x1): Interpolated grid: dx=1.200 mm, dy=1.200 mm
Maximum value of SAR (interpolated) = 20.9 W/kg

Pin=250mW/Zoom Scan (7x7x7)/Cube 0: Measurement grid: dx=5mm, dy=5mm, dz=5mm
Reference Value = 100.9 V/m; Power Drift = -0.10 dB
Peak SAR (extrapolated) = 28.7 W/kg
SAR(1 g) = 13.5 W/kg; SAR(10 g) = 5.99 W/kg
Maximum value of SAR (measured) = 21.0 W/kg



System Check_B5250_190219

DUT: Dipole 5 GHz; Type: D5GHzV2; SN: 1019

Communication System: CW; Frequency: 5250 MHz; Duty Cycle: 1:1

Medium: B34T60N1_0219 Medium parameters used: $f = 5250$ MHz; $\sigma = 5.374$ S/m; $\epsilon_r = 46.851$; $\rho = 1000$ kg/m³

Ambient Temperature : 23.7 °C ; Liquid Temperature : 23.5 °C

DASY5 Configuration:

- Probe: EX3DV4 - SN7472; ConvF(4.9, 4.9, 4.9); Calibrated: 2018/08/29
- Sensor-Surface: 1.4mm (Mechanical Surface Detection)
- Electronics: DAE4 Sn1431; Calibrated: 2018/03/16
- Phantom: Twin SAM Phantom_1822; Type: QD000P40CD;
- Measurement SW: DASY52, Version 52.10 (2); SEMCAD X Version 14.6.12 (7450)

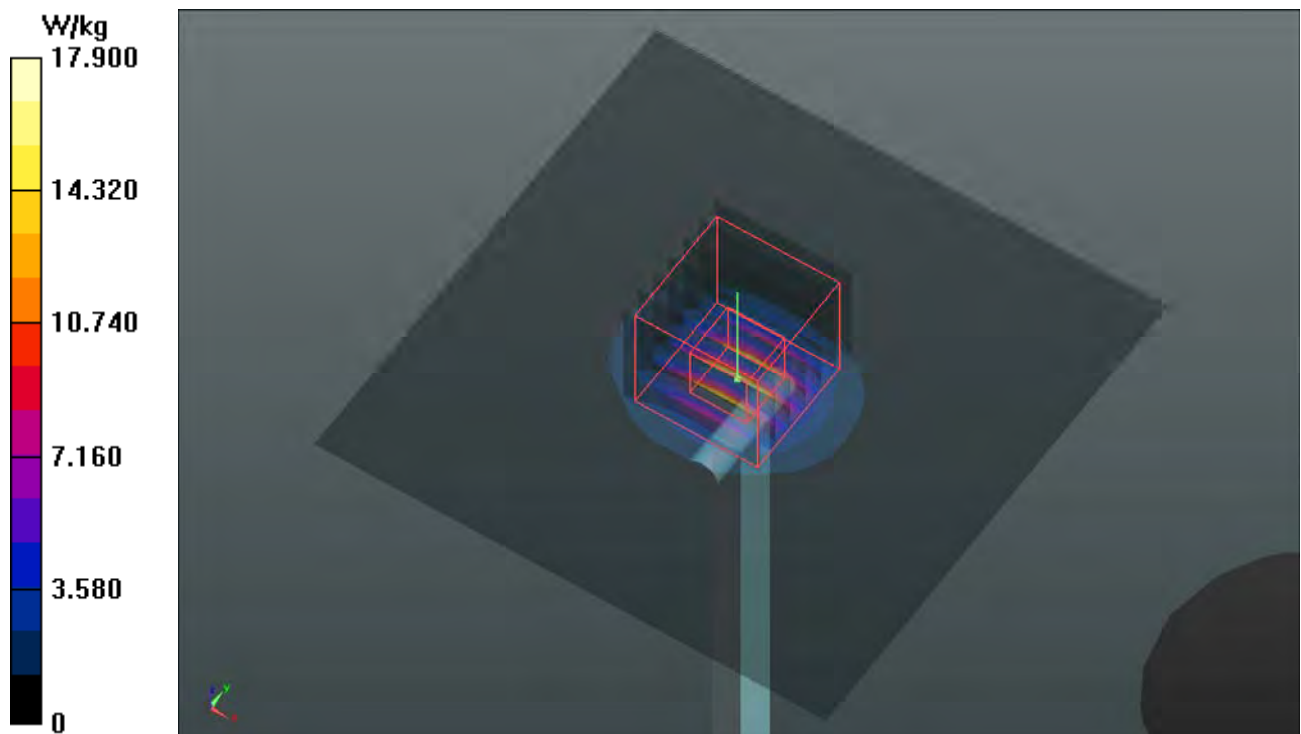
Pin=100mW/Area Scan (91x91x1): Interpolated grid: dx=1.000 mm, dy=1.000 mm
Maximum value of SAR (interpolated) = 17.9 W/kg

Pin=100mW/Zoom Scan (7x7x12)/Cube 0: Measurement grid: dx=4mm, dy=4mm, dz=2mm
Reference Value = 66.60 V/m; Power Drift = -0.03 dB

Peak SAR (extrapolated) = 34.2 W/kg

SAR(1 g) = 7.68 W/kg; SAR(10 g) = 2.16 W/kg

Maximum value of SAR (measured) = 19.9 W/kg



System Check_B5600_190219

DUT: Dipole 5 GHz; Type: D5GHzV2; SN: 1019

Communication System: CW; Frequency: 5600 MHz; Duty Cycle: 1:1

Medium: B34T60N1_0219 Medium parameters used: $f = 5600$ MHz; $\sigma = 5.82$ S/m; $\epsilon_r = 46.317$; $\rho = 1000$ kg/m³

Ambient Temperature : 23.7 °C ; Liquid Temperature : 23.5 °C

DASY5 Configuration:

- Probe: EX3DV4 - SN7472; ConvF(4.37, 4.37, 4.37); Calibrated: 2018/08/29
- Sensor-Surface: 1.4mm (Mechanical Surface Detection)
- Electronics: DAE4 Sn1431; Calibrated: 2018/03/16
- Phantom: Twin SAM Phantom_1822; Type: QD000P40CD;
- Measurement SW: DASY52, Version 52.10 (2); SEMCAD X Version 14.6.12 (7450)

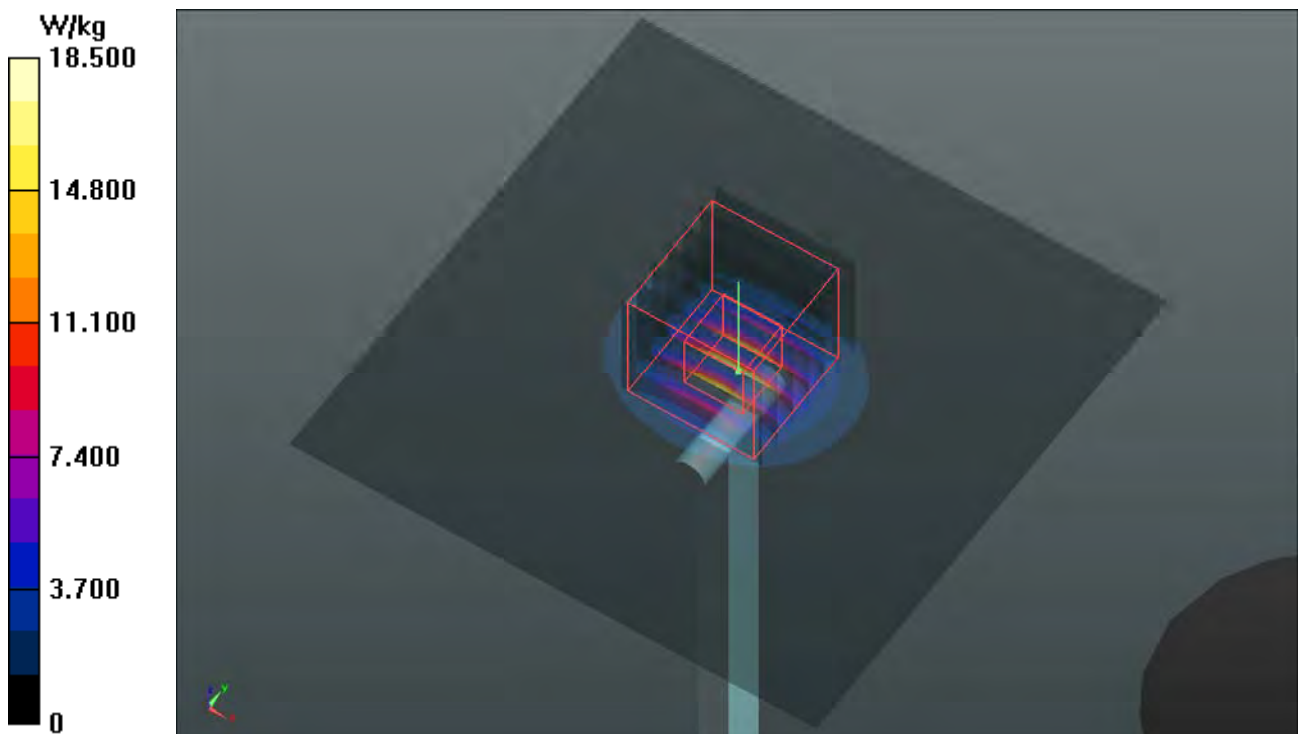
Pin=100mW/Area Scan (91x91x1): Interpolated grid: dx=1.000 mm, dy=1.000 mm
Maximum value of SAR (interpolated) = 18.5 W/kg

Pin=100mW/Zoom Scan (7x7x12)/Cube 0: Measurement grid: dx=4mm, dy=4mm, dz=2mm
Reference Value = 66.02 V/m; Power Drift = -0.09 dB

Peak SAR (extrapolated) = 33.9 W/kg

SAR(1 g) = 7.87 W/kg; SAR(10 g) = 2.22 W/kg

Maximum value of SAR (measured) = 19.8 W/kg



System Check_B5750_190219

DUT: Dipole 5 GHz; Type: D5GHzV2; SN: 1019

Communication System: CW; Frequency: 5750 MHz; Duty Cycle: 1:1

Medium: B34T60N1_0219 Medium parameters used: $f = 5750$ MHz; $\sigma = 5.989$ S/m; $\epsilon_r = 46.101$; $\rho = 1000$ kg/m³

Ambient Temperature : 23.7 °C ; Liquid Temperature : 23.5 °C

DASY5 Configuration:

- Probe: EX3DV4 - SN7472; ConvF(4.56, 4.56, 4.56); Calibrated: 2018/08/29
- Sensor-Surface: 1.4mm (Mechanical Surface Detection)
- Electronics: DAE4 Sn1431; Calibrated: 2018/03/16
- Phantom: Twin SAM Phantom_1822; Type: QD000P40CD;
- Measurement SW: DASY52, Version 52.10 (2); SEMCAD X Version 14.6.12 (7450)

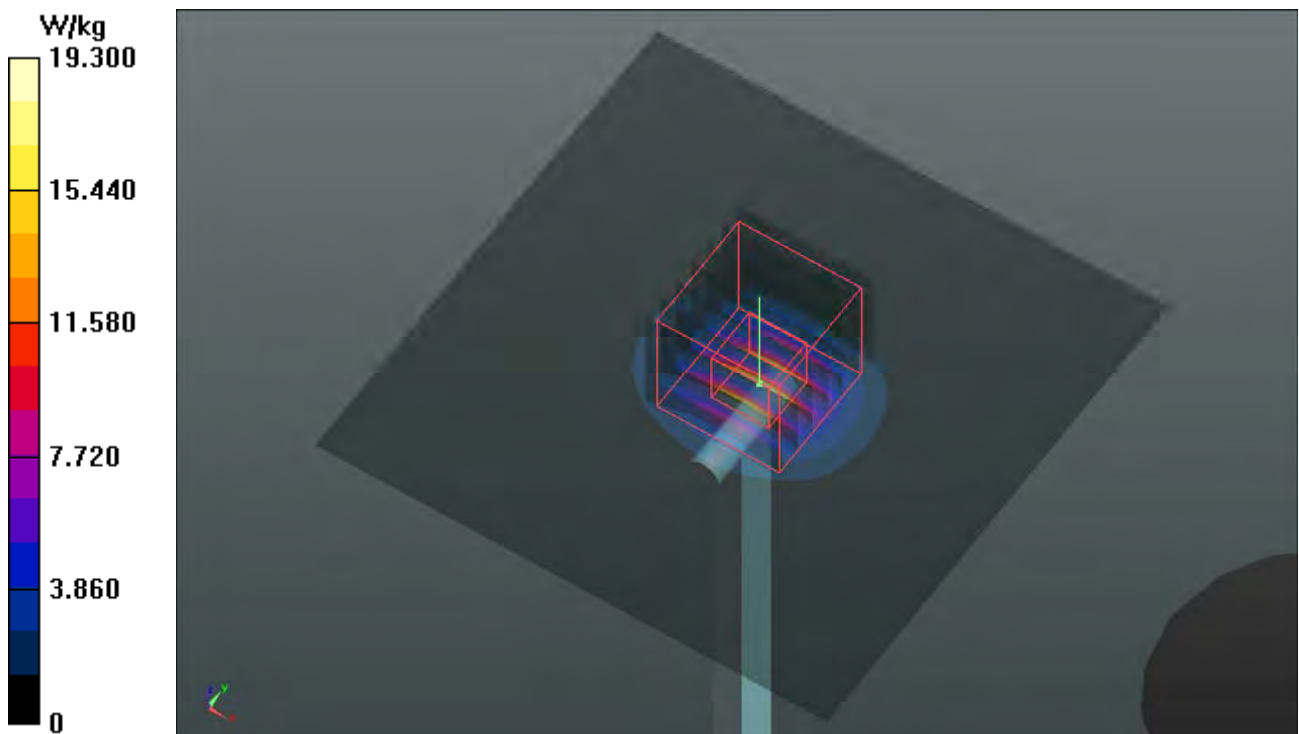
Pin=100mW/Area Scan (91x91x1): Interpolated grid: dx=1.000 mm, dy=1.000 mm
Maximum value of SAR (interpolated) = 19.3 W/kg

Pin=100mW/Zoom Scan (7x7x12)/Cube 0: Measurement grid: dx=4mm, dy=4mm, dz=2mm
Reference Value = 62.67 V/m; Power Drift = -0.07 dB

Peak SAR (extrapolated) = 34.7 W/kg

SAR(1 g) = 7.77 W/kg; SAR(10 g) = 2.22 W/kg

Maximum value of SAR (measured) = 20.1 W/kg



Appendix B. SAR Plots of SAR Measurement

The SAR plots for highest measured SAR in each exposure configuration, wireless mode and frequency band combination, and measured SAR > 1.5 W/kg are shown as follows.

P01 GSM850_GPRS12_Front Face_15mm_Ch251

DUT: 190211C01

Communication System: GPRS12; Frequency: 848.8 MHz; Duty Cycle: 1:2

Medium: B07T10N1_0221 Medium parameters used: $f = 848.8$ MHz; $\sigma = 0.996$ S/m; $\epsilon_r = 54$; $\rho = 1000$ kg/m³

Ambient Temperature : 23.6 °C ; Liquid Temperature : 23.4 °C

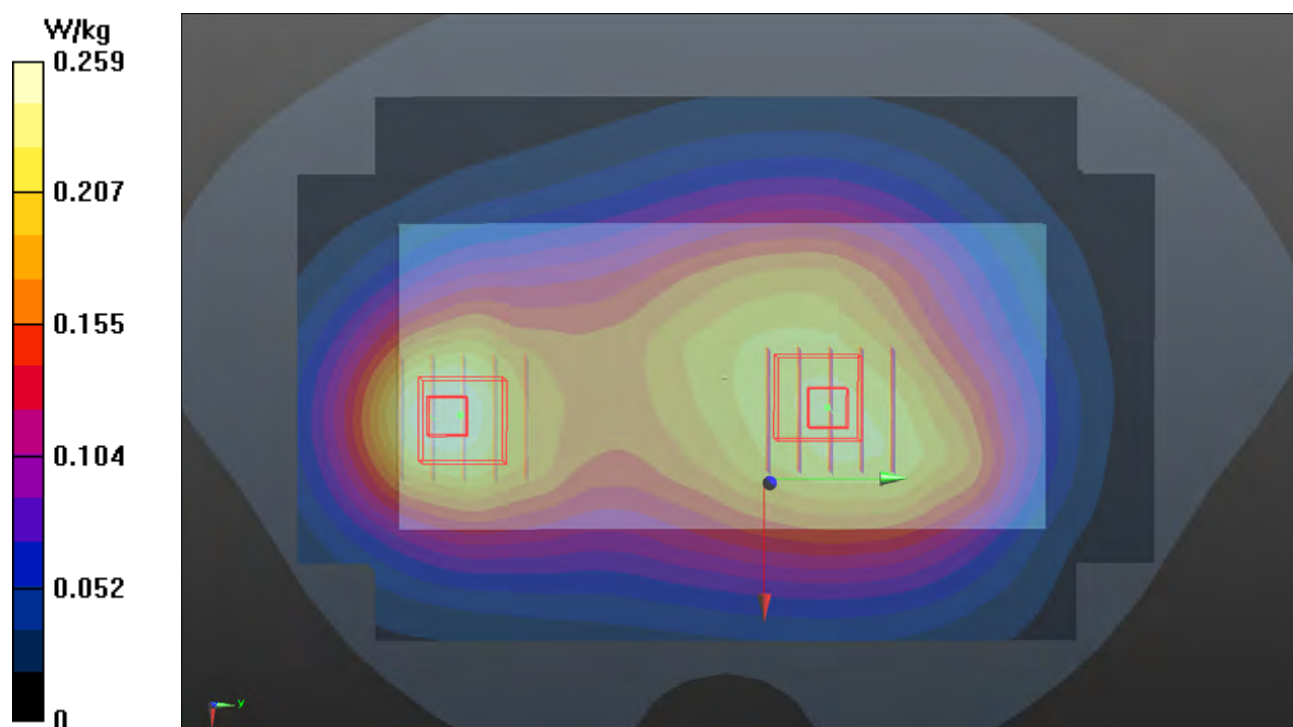
DASY5 Configuration:

- Probe: EX3DV4 - SN3971; ConvF(10.15, 10.15, 10.15); Calibrated: 2018/03/26
- Sensor-Surface: 1.4mm (Mechanical Surface Detection)
- Electronics: DAE4 Sn861; Calibrated: 2018/05/30
- Phantom: Twin SAM Phantom_1496; Type: QD000P40CB;
- Measurement SW: DASY52, Version 52.10 (2); SEMCAD X Version 14.6.12 (7450)

- **Area Scan (101x151x1):** Interpolated grid: dx=1.500 mm, dy=1.500 mm
Maximum value of SAR (interpolated) = 0.259 W/kg

- **Zoom Scan (5x5x7)/Cube 0:** Measurement grid: dx=8mm, dy=8mm, dz=5mm
Reference Value = 16.56 V/m; Power Drift = -0.00 dB
Peak SAR (extrapolated) = 0.290 W/kg
SAR(1 g) = 0.207 W/kg; SAR(10 g) = 0.130 W/kg
Maximum value of SAR (measured) = 0.259 W/kg

- **Zoom Scan (5x5x7)/Cube 1:** Measurement grid: dx=8mm, dy=8mm, dz=5mm
Reference Value = 16.56 V/m; Power Drift = 0.00 dB
Peak SAR (extrapolated) = 0.237 W/kg
SAR(1 g) = 0.196 W/kg; SAR(10 g) = 0.163 W/kg
Maximum value of SAR (measured) = 0.223 W/kg



P02 GSM1900_GPRS12_Front Face_15mm_Ch512

DUT: 190211C01

Communication System: GPRS12; Frequency: 1850.2 MHz; Duty Cycle: 1:2

Medium: B16T20N1_0221 Medium parameters used: $f = 1850.2$ MHz; $\sigma = 1.536$ S/m; $\epsilon_r = 50.784$; $\rho = 1000$ kg/m³

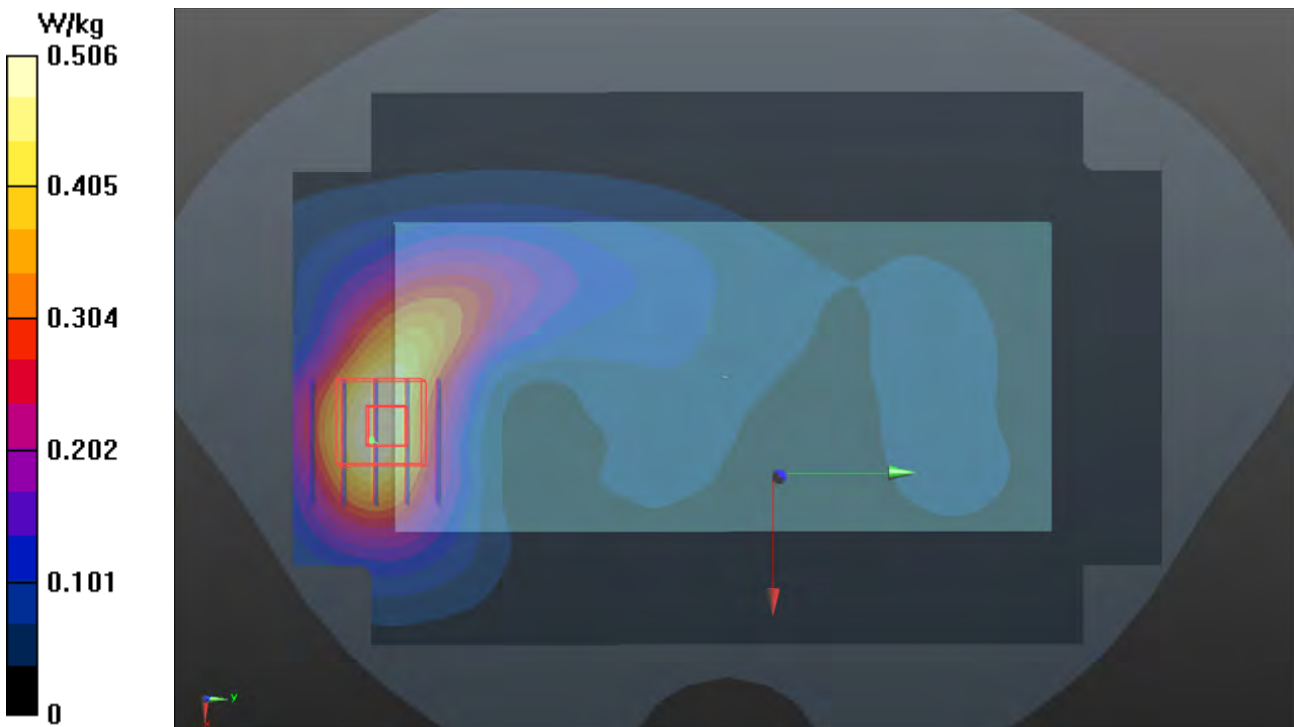
Ambient Temperature : 23.6 °C ; Liquid Temperature : 23.4 °C

DASY5 Configuration:

- Probe: EX3DV4 - SN3971; ConvF(8.08, 8.08, 8.08); Calibrated: 2018/03/26
- Sensor-Surface: 1.4mm (Mechanical Surface Detection)
- Electronics: DAE4 Sn861; Calibrated: 2018/05/30
- Phantom: Twin SAM Phantom_1496; Type: QD000P40CB;
- Measurement SW: DASY52, Version 52.10 (2); SEMCAD X Version 14.6.12 (7450)

- **Area Scan (101x151x1):** Interpolated grid: dx=1.500 mm, dy=1.500 mm
Maximum value of SAR (interpolated) = 0.506 W/kg

- **Zoom Scan (5x5x7)/Cube 0:** Measurement grid: dx=8mm, dy=8mm, dz=5mm
Reference Value = 18.61 V/m; Power Drift = -0.01 dB
Peak SAR (extrapolated) = 0.600 W/kg
SAR(1 g) = 0.315 W/kg; SAR(10 g) = 0.175 W/kg
Maximum value of SAR (measured) = 0.509 W/kg



P03 WCDMA II_RMC12.2K_Front Face_15mm_Ch9538

DUT: 190211C01

Communication System: WCDMA; Frequency: 1907.6 MHz; Duty Cycle: 1:1

Medium: B16T20N1_0221 Medium parameters used: $f = 1907.6$ MHz; $\sigma = 1.593$ S/m; $\epsilon_r = 50.697$; $\rho = 1000$ kg/m³

Ambient Temperature : 23.6 °C ; Liquid Temperature : 23.4 °C

DASY5 Configuration:

- Probe: EX3DV4 - SN3971; ConvF(8.08, 8.08, 8.08); Calibrated: 2018/03/26
- Sensor-Surface: 1.4mm (Mechanical Surface Detection)
- Electronics: DAE4 Sn861; Calibrated: 2018/05/30
- Phantom: Twin SAM Phantom_1496; Type: QD000P40CB;
- Measurement SW: DASY52, Version 52.10 (2); SEMCAD X Version 14.6.12 (7450)

- **Area Scan (101x151x1):** Interpolated grid: dx=1.500 mm, dy=1.500 mm

Maximum value of SAR (interpolated) = 0.577 W/kg

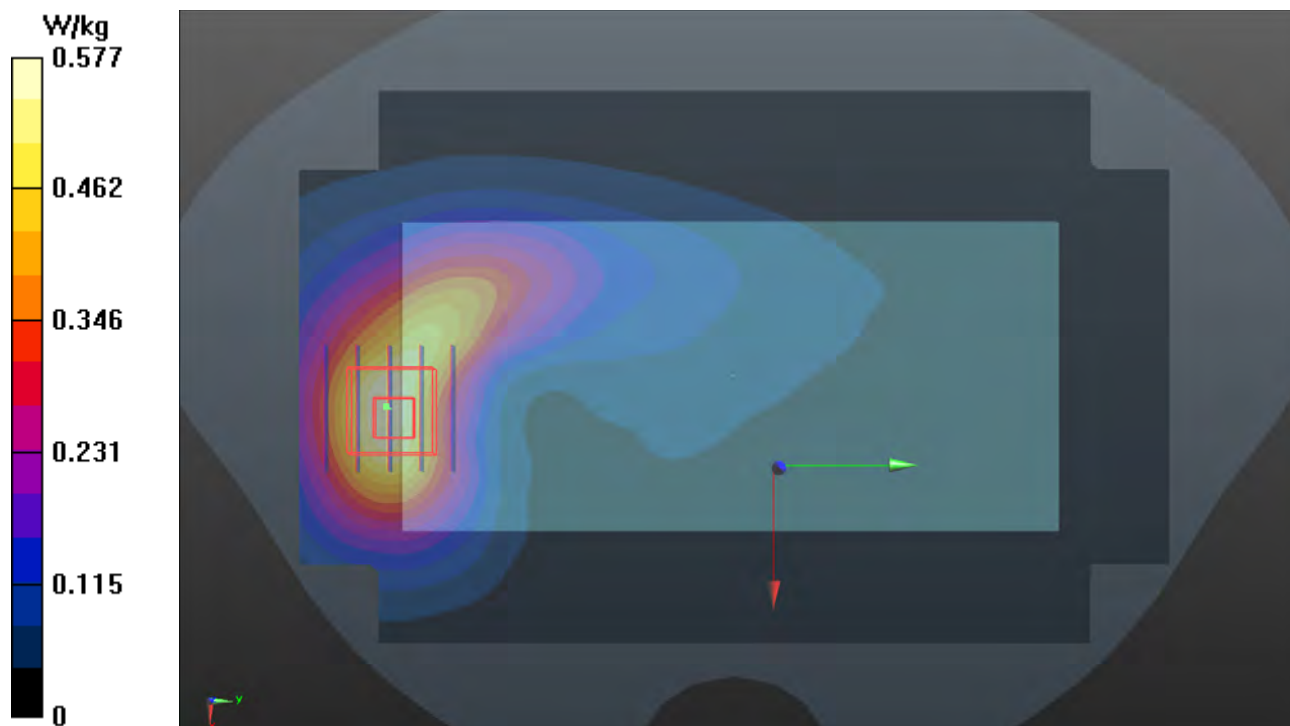
- **Zoom Scan (5x5x7)/Cube 0:** Measurement grid: dx=8mm, dy=8mm, dz=5mm

Reference Value = 19.50 V/m; Power Drift = -0.05 dB

Peak SAR (extrapolated) = 0.672 W/kg

SAR(1 g) = 0.369 W/kg; SAR(10 g) = 0.211 W/kg

Maximum value of SAR (measured) = 0.587 W/kg



P04 WCDMA IV_RMC12.2K_Front Face_15mm_Ch1513

DUT: 190211C01

Communication System: WCDMA; Frequency: 1752.6 MHz; Duty Cycle: 1:1

Medium: B16T20N1_0221 Medium parameters used: $f = 1752.6$ MHz; $\sigma = 1.457$ S/m; $\epsilon_r = 51.091$; $\rho = 1000$ kg/m³

Ambient Temperature : 23.6 °C ; Liquid Temperature : 23.4 °C

DASY5 Configuration:

- Probe: EX3DV4 - SN3971; ConvF(8.34, 8.34, 8.34); Calibrated: 2018/03/26
- Sensor-Surface: 1.4mm (Mechanical Surface Detection)
- Electronics: DAE4 Sn861; Calibrated: 2018/05/30
- Phantom: Twin SAM Phantom_1496; Type: QD000P40CB;
- Measurement SW: DASY52, Version 52.10 (2); SEMCAD X Version 14.6.12 (7450)

- **Area Scan (101x151x1):** Interpolated grid: dx=1.500 mm, dy=1.500 mm

Maximum value of SAR (interpolated) = 0.632 W/kg

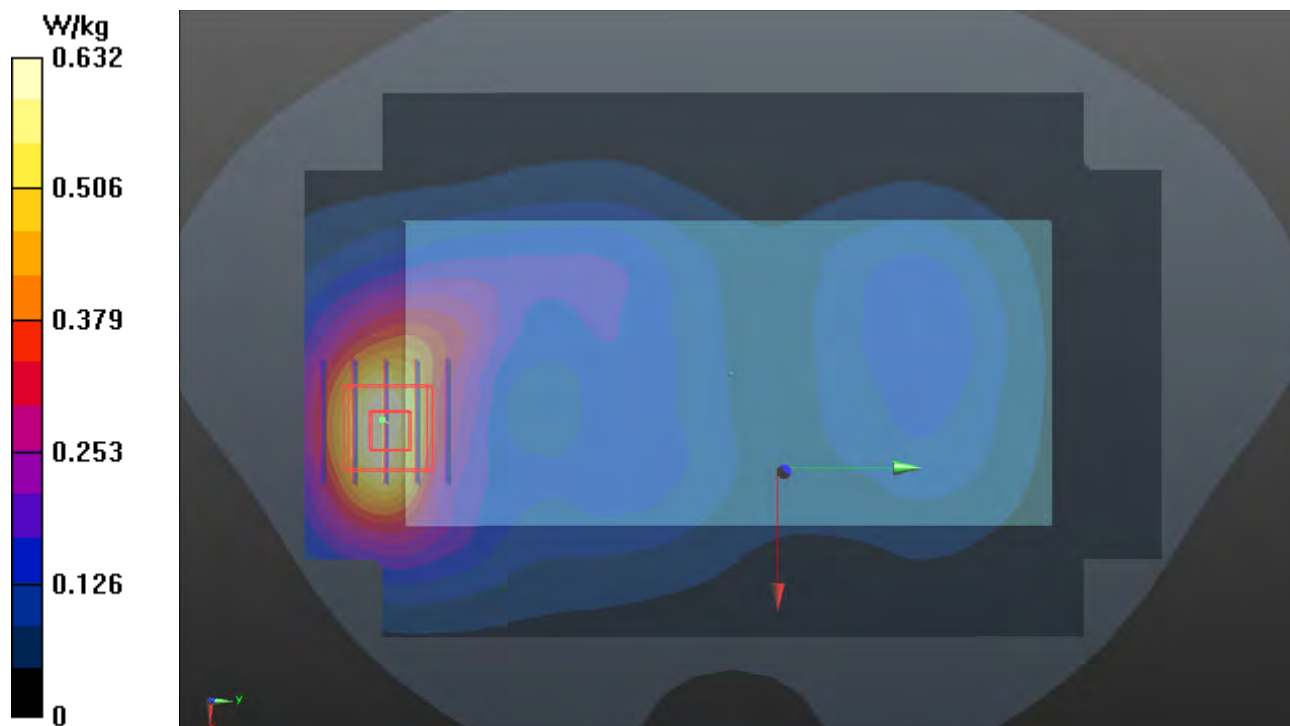
- **Zoom Scan (5x5x7)/Cube 0:** Measurement grid: dx=8mm, dy=8mm, dz=5mm

Reference Value = 21.38 V/m; Power Drift = -0.08 dB

Peak SAR (extrapolated) = 0.747 W/kg

SAR(1 g) = 0.421 W/kg; SAR(10 g) = 0.246 W/kg

Maximum value of SAR (measured) = 0.644 W/kg



P05 WCDMA V_RMC12.2K_Front Face_15mm_Ch4132

DUT: 190211C01

Communication System: WCDMA; Frequency: 826.4 MHz; Duty Cycle: 1:1

Medium: B07T10N1_0221 Medium parameters used: $f = 826.4 \text{ MHz}$; $\sigma = 0.975 \text{ S/m}$; $\epsilon_r = 54.225$; $\rho = 1000 \text{ kg/m}^3$

Ambient Temperature : $23.6 \text{ }^\circ\text{C}$; Liquid Temperature : $23.4 \text{ }^\circ\text{C}$

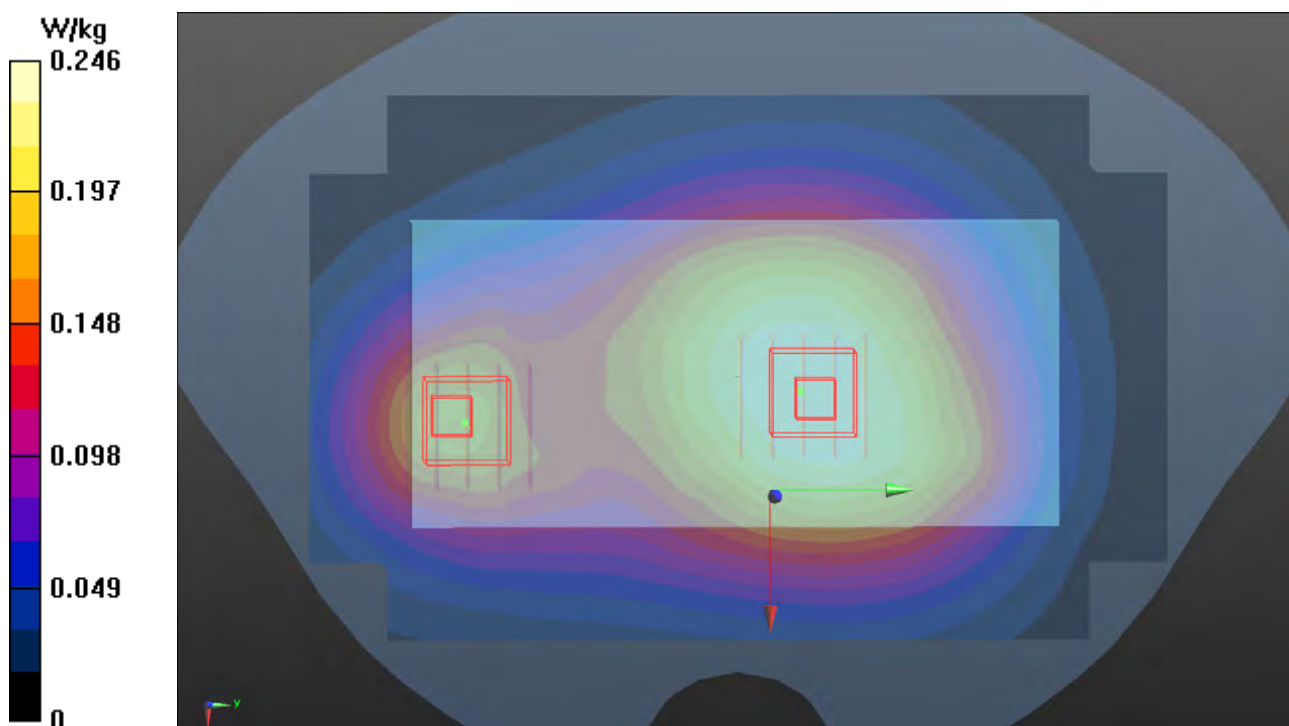
DASY5 Configuration:

- Probe: EX3DV4 - SN3971; ConvF(10.15, 10.15, 10.15); Calibrated: 2018/03/26
- Sensor-Surface: 1.4mm (Mechanical Surface Detection)
- Electronics: DAE4 Sn861; Calibrated: 2018/05/30
- Phantom: Twin SAM Phantom_1496; Type: QD000P40CB;
- Measurement SW: DASY52, Version 52.10 (2); SEMCAD X Version 14.6.12 (7450)

- **Area Scan (101x151x1):** Interpolated grid: $dx=1.500 \text{ mm}$, $dy=1.500 \text{ mm}$
Maximum value of SAR (interpolated) = 0.246 W/kg

- **Zoom Scan (5x5x7)/Cube 0:** Measurement grid: $dx=8\text{mm}$, $dy=8\text{mm}$, $dz=5\text{mm}$
Reference Value = 16.14 V/m ; Power Drift = -0.03 dB
Peak SAR (extrapolated) = 0.254 W/kg
SAR(1 g) = 0.202 W/kg ; SAR(10 g) = 0.128 W/kg
Maximum value of SAR (measured) = 0.239 W/kg

- **Zoom Scan (5x5x7)/Cube 1:** Measurement grid: $dx=8\text{mm}$, $dy=8\text{mm}$, $dz=5\text{mm}$
Reference Value = 16.14 V/m ; Power Drift = -0.03 dB
Peak SAR (extrapolated) = 0.210 W/kg
SAR(1 g) = 0.148 W/kg ; SAR(10 g) = 0.108 W/kg
Maximum value of SAR (measured) = 0.187 W/kg



P06 LTE 2_QPSK20M_Front Face_15mm_Ch19100_1RB_OS0

DUT: 190211C01

Communication System: LTE; Frequency: 1900 MHz; Duty Cycle: 1:1

Medium: B16T20N1_0221 Medium parameters used: $f = 1900$ MHz; $\sigma = 1.584$ S/m; $\epsilon_r = 50.723$; $\rho = 1000$ kg/m³

Ambient Temperature : 23.6 °C ; Liquid Temperature : 23.4 °C

DASY5 Configuration:

- Probe: EX3DV4 - SN3971; ConvF(8.08, 8.08, 8.08); Calibrated: 2018/03/26
- Sensor-Surface: 1.4mm (Mechanical Surface Detection)
- Electronics: DAE4 Sn861; Calibrated: 2018/05/30
- Phantom: Twin SAM Phantom_1496; Type: QD000P40CB;
- Measurement SW: DASY52, Version 52.10 (2); SEMCAD X Version 14.6.12 (7450)

- **Area Scan (101x151x1):** Interpolated grid: dx=1.500 mm, dy=1.500 mm

Maximum value of SAR (interpolated) = 0.565 W/kg

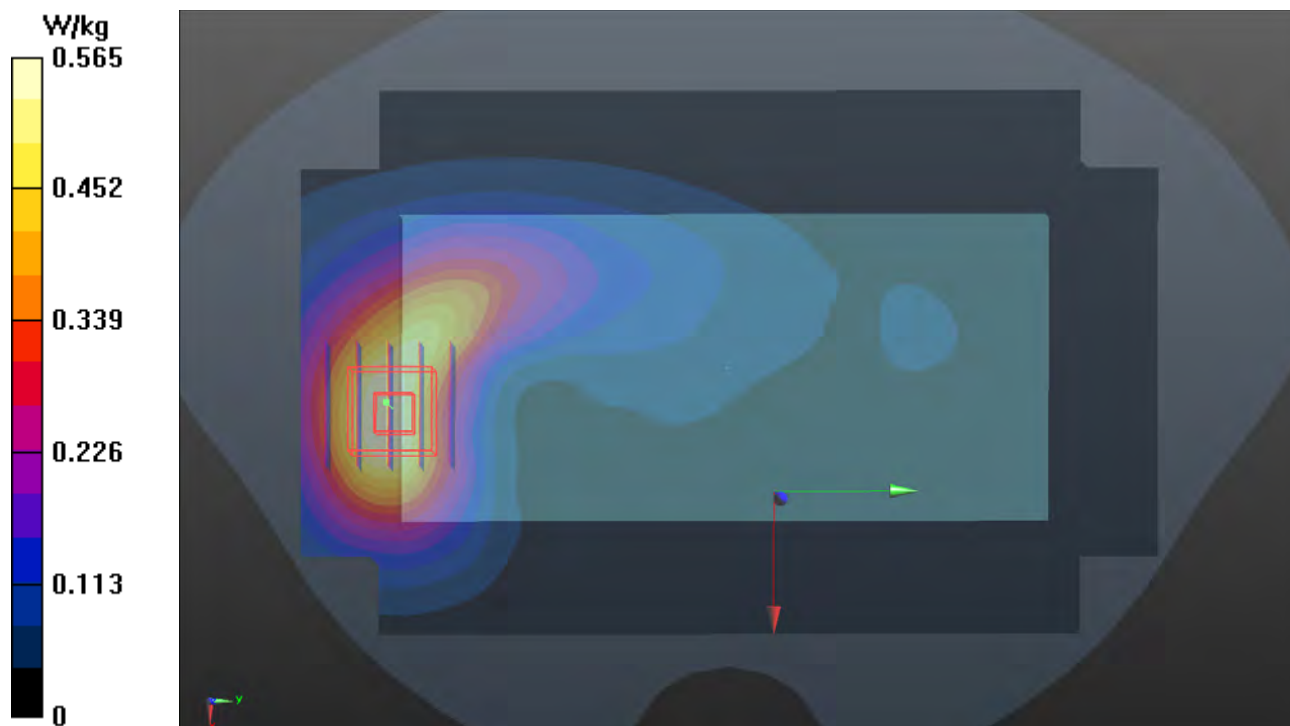
- **Zoom Scan (5x5x7)/Cube 0:** Measurement grid: dx=8mm, dy=8mm, dz=5mm

Reference Value = 19.58 V/m; Power Drift = 0.02 dB

Peak SAR (extrapolated) = 0.672 W/kg

SAR(1 g) = 0.371 W/kg; SAR(10 g) = 0.213 W/kg

Maximum value of SAR (measured) = 0.589 W/kg



P07 LTE 4_QPSK20M_Front Face_15mm_Ch20300_1RB_OS0

DUT: 190211C01

Communication System: LTE; Frequency: 1745 MHz; Duty Cycle: 1:1

Medium: B16T20N1_0221 Medium parameters used: $f = 1745$ MHz; $\sigma = 1.452$ S/m; $\epsilon_r = 51.122$; $\rho = 1000$ kg/m³

Ambient Temperature : 23.6 °C ; Liquid Temperature : 23.4 °C

DASY5 Configuration:

- Probe: EX3DV4 - SN3971; ConvF(8.34, 8.34, 8.34); Calibrated: 2018/03/26
- Sensor-Surface: 1.4mm (Mechanical Surface Detection)
- Electronics: DAE4 Sn861; Calibrated: 2018/05/30
- Phantom: Twin SAM Phantom_1496; Type: QD000P40CB;
- Measurement SW: DASY52, Version 52.10 (2); SEMCAD X Version 14.6.12 (7450)

- **Area Scan (101x151x1):** Interpolated grid: dx=1.500 mm, dy=1.500 mm

Maximum value of SAR (interpolated) = 0.644 W/kg

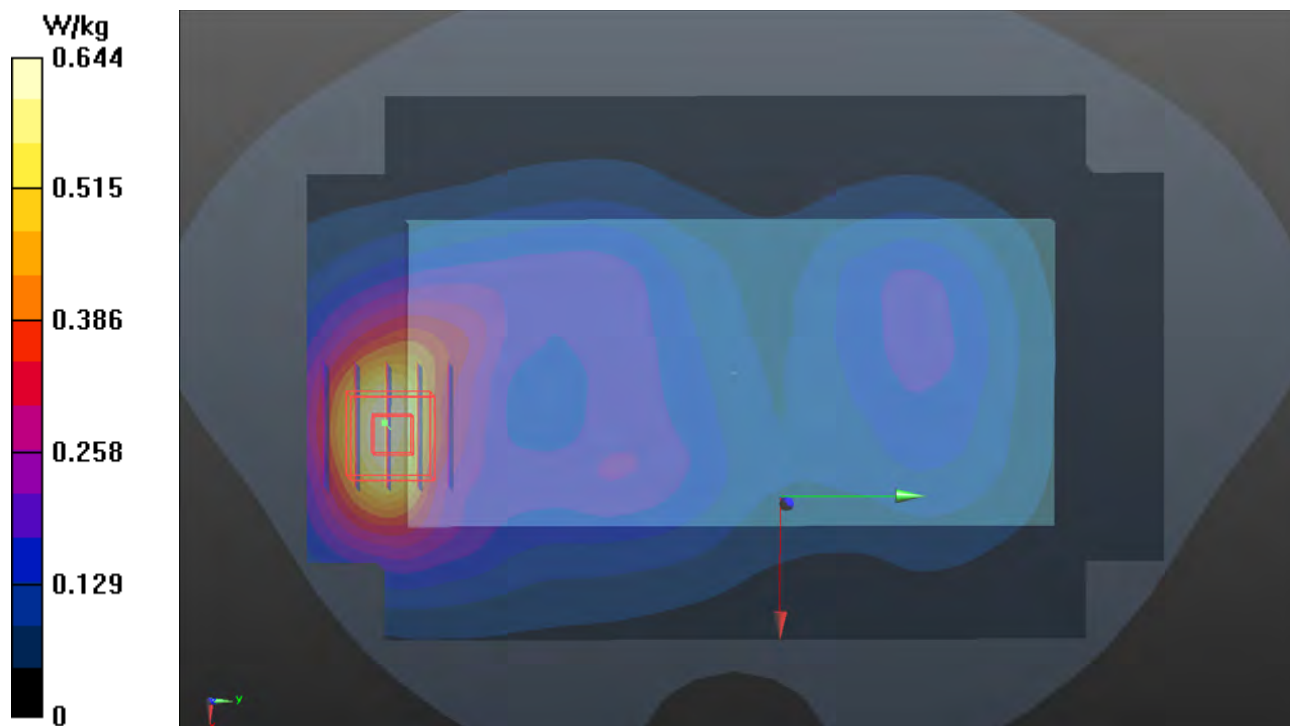
- **Zoom Scan (5x5x7)/Cube 0:** Measurement grid: dx=8mm, dy=8mm, dz=5mm

Reference Value = 21.60 V/m; Power Drift = -0.12 dB

Peak SAR (extrapolated) = 0.759 W/kg

SAR(1 g) = 0.432 W/kg; SAR(10 g) = 0.254 W/kg

Maximum value of SAR (measured) = 0.660 W/kg



P08 LTE 5_QPSK10M_Front Face_15mm_Ch20450_1RB_OS0

DUT: 190211C01

Communication System: LTE; Frequency: 829 MHz; Duty Cycle: 1:1

Medium: B07T10N1_0221 Medium parameters used: $f = 829$ MHz; $\sigma = 0.977$ S/m; $\epsilon_r = 54.208$; $\rho = 1000$ kg/m³

Ambient Temperature : 23.6 °C ; Liquid Temperature : 23.4 °C

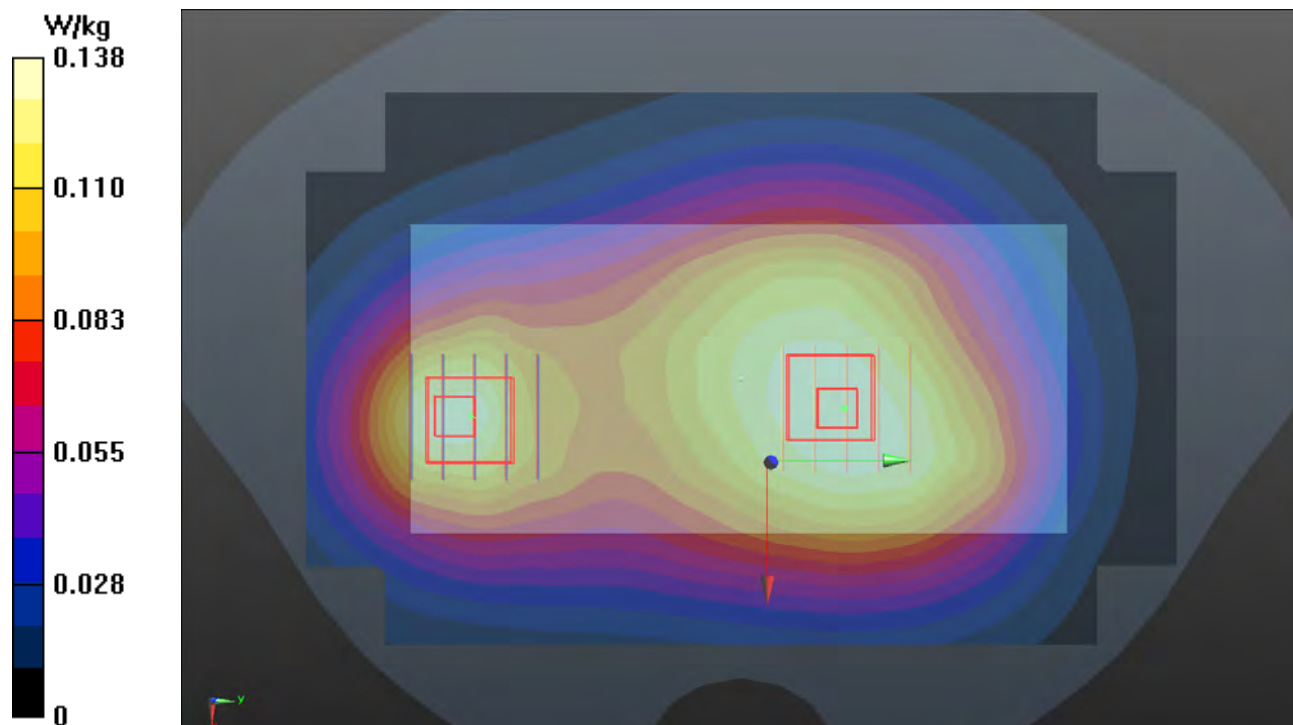
DASY5 Configuration:

- Probe: EX3DV4 - SN3971; ConvF(10.15, 10.15, 10.15); Calibrated: 2018/03/26
- Sensor-Surface: 1.4mm (Mechanical Surface Detection)
- Electronics: DAE4 Sn861; Calibrated: 2018/05/30
- Phantom: Twin SAM Phantom_1496; Type: QD000P40CB;
- Measurement SW: DASY52, Version 52.10 (2); SEMCAD X Version 14.6.12 (7450)

- **Area Scan (101x151x1):** Interpolated grid: dx=1.500 mm, dy=1.500 mm
Maximum value of SAR (interpolated) = 0.138 W/kg

- **Zoom Scan (5x5x7)/Cube 0:** Measurement grid: dx=8mm, dy=8mm, dz=5mm
Reference Value = 12.28 V/m; Power Drift = -0.05 dB
Peak SAR (extrapolated) = 0.146 W/kg
SAR(1 g) = 0.108 W/kg; SAR(10 g) = 0.079 W/kg
Maximum value of SAR (measured) = 0.138 W/kg

- **Zoom Scan (5x5x7)/Cube 1:** Measurement grid: dx=8mm, dy=8mm, dz=5mm
Reference Value = 12.28 V/m; Power Drift = -0.05 dB
Peak SAR (extrapolated) = 0.151 W/kg
SAR(1 g) = 0.083 W/kg; SAR(10 g) = 0.054 W/kg
Maximum value of SAR (measured) = 0.135 W/kg



P09 LTE 7_QPSK20M_Front Face_15mm_Ch21350_1RB_OS0

DUT: 190211C01

Communication System: LTE; Frequency: 2560 MHz; Duty Cycle: 1:1

Medium: B19T27N1_0221 Medium parameters used: $f = 2560$ MHz; $\sigma = 2.111$ S/m; $\epsilon_r = 51.094$; $\rho = 1000$ kg/m³

Ambient Temperature : 23.6 °C ; Liquid Temperature : 23.4 °C

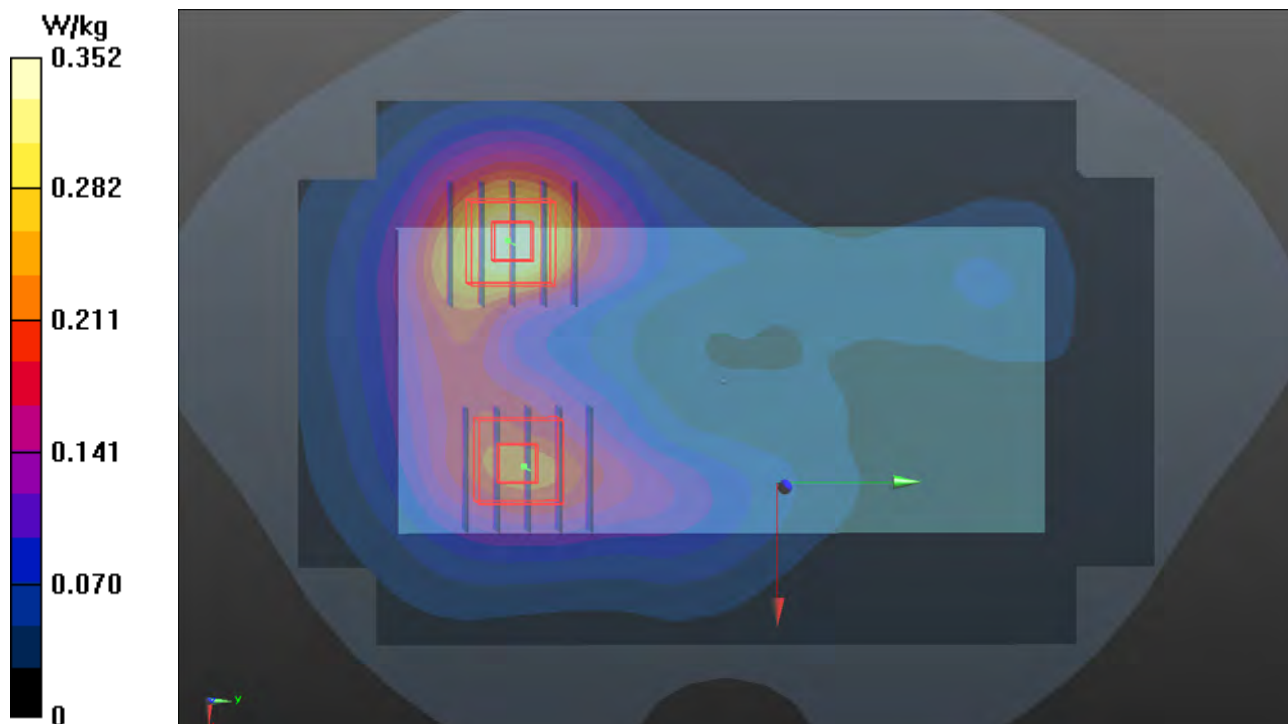
DASY5 Configuration:

- Probe: EX3DV4 - SN3971; ConvF(7.36, 7.36, 7.36); Calibrated: 2018/03/26
- Sensor-Surface: 1.4mm (Mechanical Surface Detection)
- Electronics: DAE4 Sn861; Calibrated: 2018/05/30
- Phantom: Twin SAM Phantom_1496; Type: QD000P40CB;
- Measurement SW: DASY52, Version 52.10 (2); SEMCAD X Version 14.6.12 (7450)

- **Area Scan (131x191x1):** Interpolated grid: dx=1.200 mm, dy=1.200 mm
Maximum value of SAR (interpolated) = 0.352 W/kg

- **Zoom Scan (5x5x7)/Cube 0:** Measurement grid: dx=8mm, dy=8mm, dz=5mm
Reference Value = 12.94 V/m; Power Drift = -0.09 dB
Peak SAR (extrapolated) = 0.411 W/kg
SAR(1 g) = 0.260 W/kg; SAR(10 g) = 0.162 W/kg
Maximum value of SAR (measured) = 0.355 W/kg

- **Zoom Scan (5x5x7)/Cube 1:** Measurement grid: dx=8mm, dy=8mm, dz=5mm
Reference Value = 12.94 V/m; Power Drift = -0.09 dB
Peak SAR (extrapolated) = 0.259 W/kg
SAR(1 g) = 0.173 W/kg; SAR(10 g) = 0.113 W/kg
Maximum value of SAR (measured) = 0.228 W/kg



P10 LTE 12_QPSK10M_Front Face_15mm_Ch23060_1RB_OS0

DUT: 190211C01

Communication System: LTE; Frequency: 704 MHz; Duty Cycle: 1:1

Medium: B06T09N1_0307 Medium parameters used: $f = 704 \text{ MHz}$; $\sigma = 0.92 \text{ S/m}$; $\epsilon_r = 54.412$; $\rho = 1000 \text{ kg/m}^3$

Ambient Temperature : $23.7 \text{ }^\circ\text{C}$; Liquid Temperature : $23.2 \text{ }^\circ\text{C}$

DASY5 Configuration:

- Probe: EX3DV4 - SN3971; ConvF(10.43, 10.43, 10.43); Calibrated: 2018/3/26
- Sensor-Surface: 1.4mm (Mechanical Surface Detection)
- Electronics: DAE4 Sn861; Calibrated: 2018/5/30
- Phantom: Twin SAM Phantom_1823; Type: QD 000 P40 CD; Serial: xxxx
- Measurement SW: DASY52, Version 52.10 (2); SEMCAD X Version 14.6.12 (7450)

- **Area Scan (81x151x1):** Interpolated grid: $dx=1.500 \text{ mm}$, $dy=1.500 \text{ mm}$

Maximum value of SAR (interpolated) = 0.155 W/kg

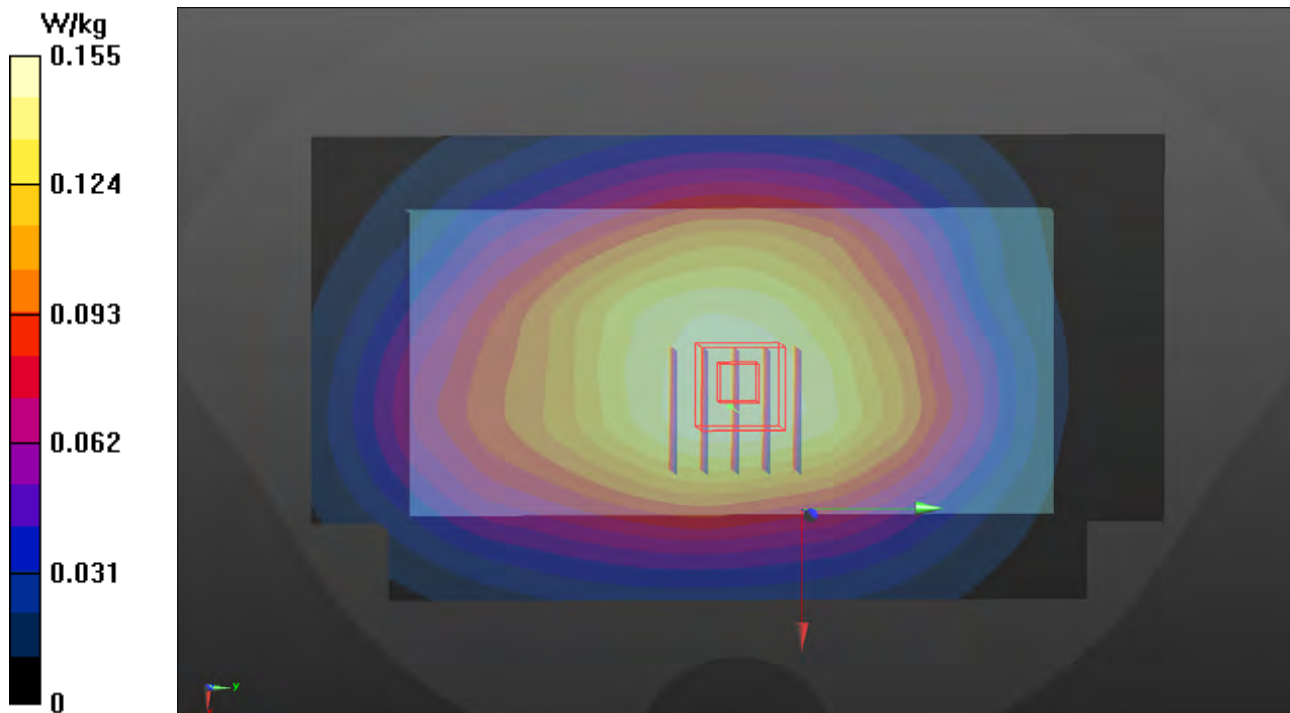
- **Zoom Scan (5x5x7)/Cube 0:** Measurement grid: $dx=8\text{mm}$, $dy=8\text{mm}$, $dz=5\text{mm}$

Reference Value = 13.82 V/m ; Power Drift = -0.13 dB

Peak SAR (extrapolated) = 0.162 W/kg

SAR(1 g) = 0.129 W/kg ; SAR(10 g) = 0.101 W/kg

Maximum value of SAR (measured) = 0.150 W/kg



P11 LTE 13_QPSK10M_Front Face_15mm_Ch23230_1RB_OS0

DUT: 190211C01

Communication System: LTE; Frequency: 782 MHz; Duty Cycle: 1:1

Medium: B06T09N1_0221 Medium parameters used: $f = 782 \text{ MHz}$; $\sigma = 1.003 \text{ S/m}$; $\epsilon_r = 54.837$; $\rho = 1000 \text{ kg/m}^3$

Ambient Temperature : $23.6 \text{ }^\circ\text{C}$; Liquid Temperature : $23.4 \text{ }^\circ\text{C}$

DASY5 Configuration:

- Probe: EX3DV4 - SN3971; ConvF(10.43, 10.43, 10.43); Calibrated: 2018/03/26
- Sensor-Surface: 1.4mm (Mechanical Surface Detection)
- Electronics: DAE4 Sn861; Calibrated: 2018/05/30
- Phantom: Twin SAM Phantom_1496; Type: QD000P40CB;
- Measurement SW: DASY52, Version 52.10 (2); SEMCAD X Version 14.6.12 (7450)

- **Area Scan (101x151x1):** Interpolated grid: $dx=1.500 \text{ mm}$, $dy=1.500 \text{ mm}$

Maximum value of SAR (interpolated) = 0.324 W/kg

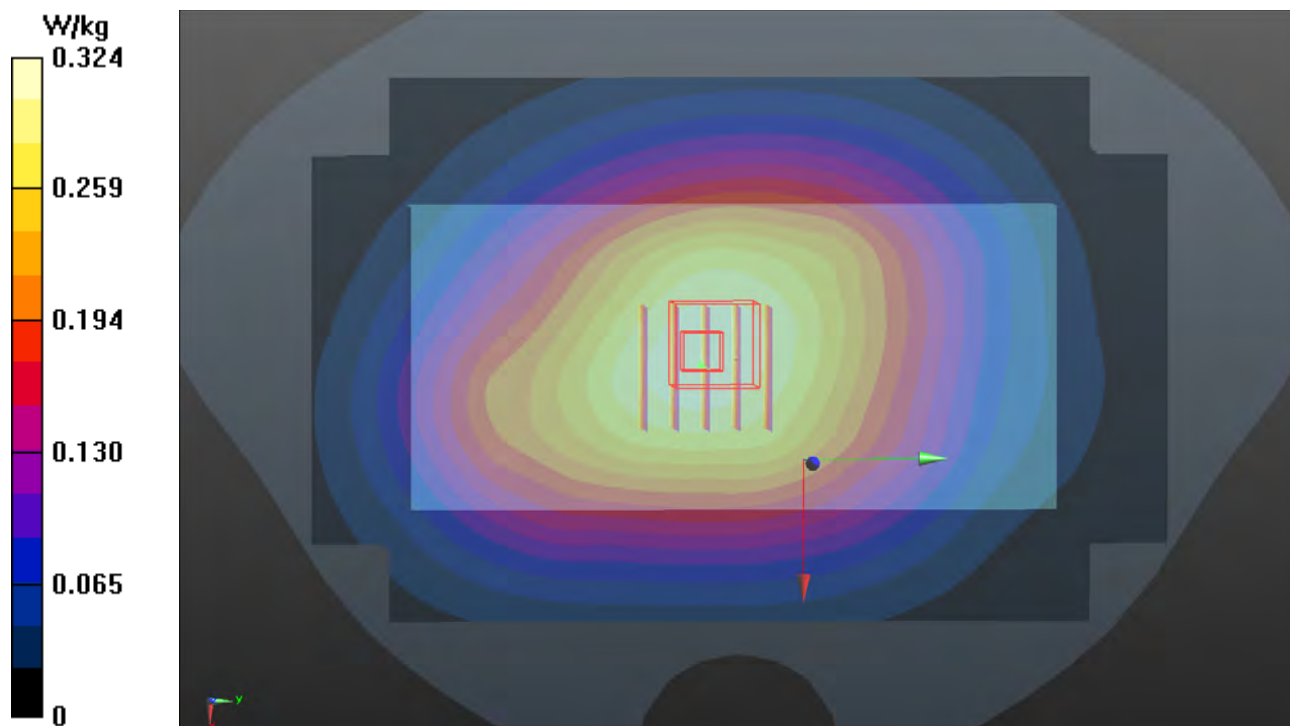
- **Zoom Scan (5x5x7)/Cube 0:** Measurement grid: $dx=8\text{mm}$, $dy=8\text{mm}$, $dz=5\text{mm}$

Reference Value = 18.22 V/m ; Power Drift = 0.11 dB

Peak SAR (extrapolated) = 0.344 W/kg

SAR(1 g) = 0.235 W/kg ; SAR(10 g) = 0.186 W/kg

Maximum value of SAR (measured) = 0.326 W/kg



P12 LTE 25_QPSK20M_Front Face_15mm_Ch26365_1RB_OS0

DUT: 190211C01

Communication System: LTE; Frequency: 1882.5 MHz; Duty Cycle: 1:1

Medium: B16T20N1_0221 Medium parameters used: $f = 1882.5$ MHz; $\sigma = 1.563$ S/m; $\epsilon_r = 50.76$; $\rho = 1000$ kg/m³

Ambient Temperature : 23.6 °C ; Liquid Temperature : 23.4 °C

DASY5 Configuration:

- Probe: EX3DV4 - SN3971; ConvF(8.08, 8.08, 8.08); Calibrated: 2018/03/26
- Sensor-Surface: 1.4mm (Mechanical Surface Detection)
- Electronics: DAE4 Sn861; Calibrated: 2018/05/30
- Phantom: Twin SAM Phantom_1496; Type: QD000P40CB;
- Measurement SW: DASY52, Version 52.10 (2); SEMCAD X Version 14.6.12 (7450)

- **Area Scan (101x151x1):** Interpolated grid: dx=1.500 mm, dy=1.500 mm

Maximum value of SAR (interpolated) = 0.565 W/kg

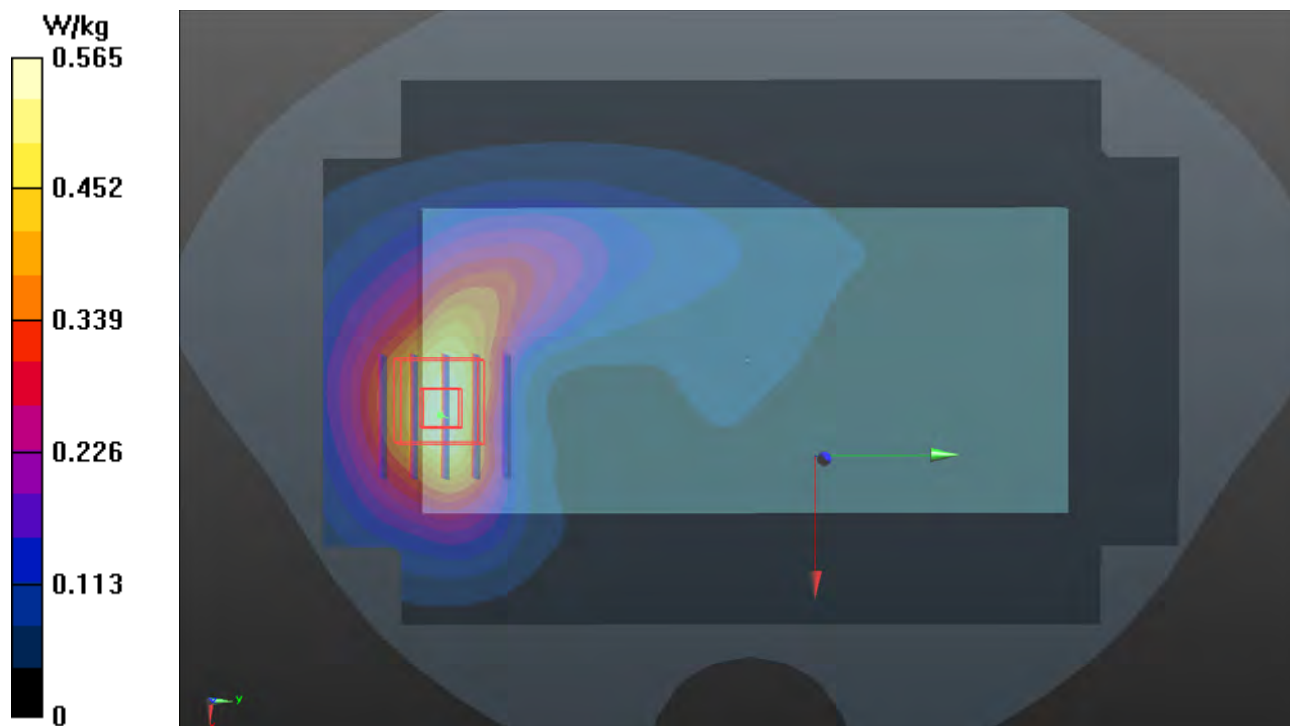
- **Zoom Scan (5x5x7)/Cube 0:** Measurement grid: dx=8mm, dy=8mm, dz=5mm

Reference Value = 16.98 V/m; Power Drift = 0.00 dB

Peak SAR (extrapolated) = 0.624 W/kg

SAR(1 g) = 0.388 W/kg; SAR(10 g) = 0.241 W/kg

Maximum value of SAR (measured) = 0.564 W/kg



P13 LTE 26_QPSK15M_Front Face_15mm_Ch26765_1RB_OS0

DUT: 190211C01

Communication System: LTE; Frequency: 821.5 MHz; Duty Cycle: 1:1

Medium: B07T10N1_0221 Medium parameters used: $f = 821.5$ MHz; $\sigma = 0.97$ S/m; $\epsilon_r = 54.269$; $\rho = 1000$ kg/m³

Ambient Temperature : 23.6 °C ; Liquid Temperature : 23.4 °C

DASY5 Configuration:

- Probe: EX3DV4 - SN3971; ConvF(10.15, 10.15, 10.15); Calibrated: 2018/03/26
- Sensor-Surface: 1.4mm (Mechanical Surface Detection)
- Electronics: DAE4 Sn861; Calibrated: 2018/05/30
- Phantom: Twin SAM Phantom_1496; Type: QD000P40CB;
- Measurement SW: DASY52, Version 52.10 (2); SEMCAD X Version 14.6.12 (7450)

- **Area Scan (101x151x1):** Interpolated grid: dx=1.500 mm, dy=1.500 mm

Maximum value of SAR (interpolated) = 0.198 W/kg

- **Zoom Scan (5x5x7)/Cube 0:** Measurement grid: dx=8mm, dy=8mm, dz=5mm

Reference Value = 14.65 V/m; Power Drift = 0.04 dB

Peak SAR (extrapolated) = 0.210 W/kg

SAR(1 g) = 0.122 W/kg; SAR(10 g) = 0.092 W/kg

Maximum value of SAR (measured) = 0.199 W/kg

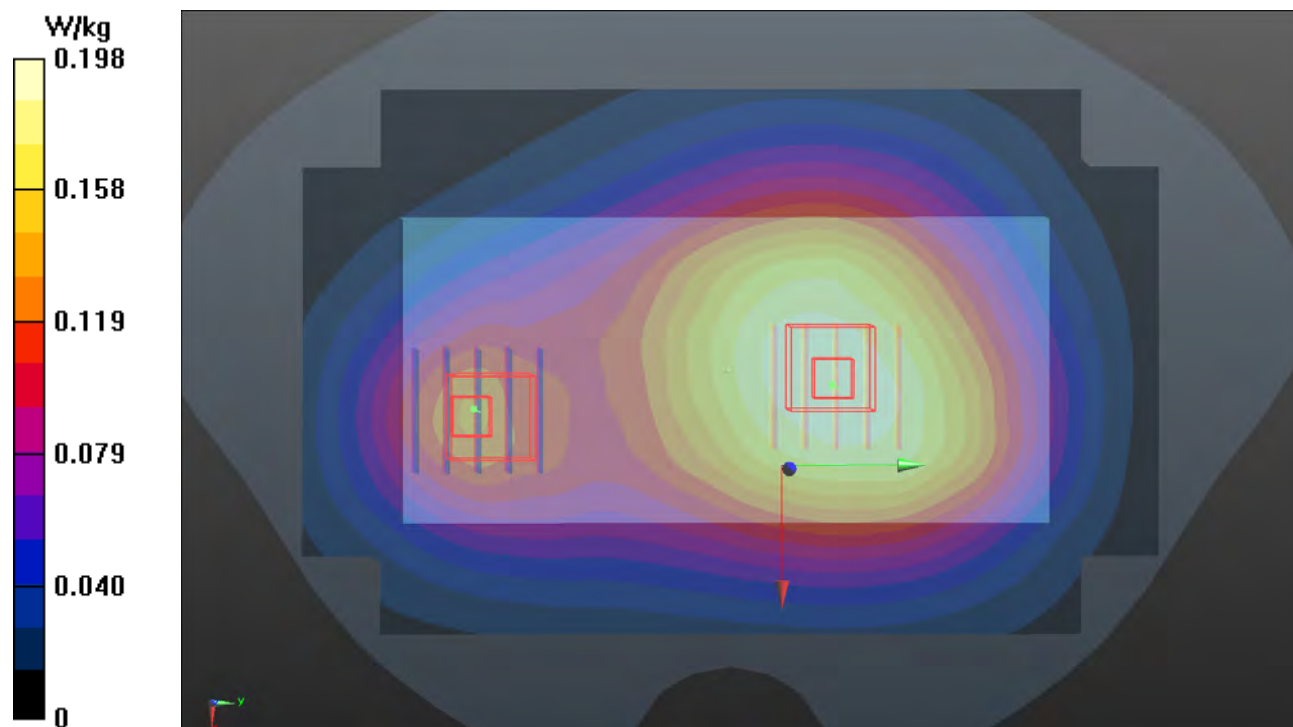
- **Zoom Scan (5x5x7)/Cube 1:** Measurement grid: dx=8mm, dy=8mm, dz=5mm

Reference Value = 14.65 V/m; Power Drift = 0.04 dB

Peak SAR (extrapolated) = 0.147 W/kg

SAR(1 g) = 0.103 W/kg; SAR(10 g) = 0.075 W/kg

Maximum value of SAR (measured) = 0.131 W/kg



P14 WLAN2.4G_802.11b_Front Face_15mm_Ch6

DUT: 190211C01

Communication System: WLAN_2.4G; Frequency: 2437 MHz; Duty Cycle: 1:1.03

Medium: B19T27N1_0226 Medium parameters used: $f = 2437$ MHz; $\sigma = 1.982$ S/m; $\epsilon_r = 52.584$; $\rho =$

1000 kg/m³

Ambient Temperature : 23.6 °C ; Liquid Temperature : 23.3 °C

DASY5 Configuration:

- Probe: EX3DV4 - SN7472; ConvF(7.84, 7.84, 7.84); Calibrated: 2018/08/29
- Sensor-Surface: 1.4mm (Mechanical Surface Detection)
- Electronics: DAE4 Sn1431; Calibrated: 2018/03/16
- Phantom: Twin SAM Phantom_1822; Type: QD000P40CD;
- Measurement SW: DASY52, Version 52.10 (2); SEMCAD X Version 14.6.12 (7450)

- **Area Scan (101x191x1):** Interpolated grid: dx=1.200 mm, dy=1.200 mm

Maximum value of SAR (interpolated) = 0.111 W/kg

- **Zoom Scan (5x5x7)/Cube 0:** Measurement grid: dx=8mm, dy=8mm, dz=5mm

Reference Value = 7.577 V/m; Power Drift = 0.10 dB

Peak SAR (extrapolated) = 0.129 W/kg

SAR(1 g) = 0.068 W/kg; SAR(10 g) = 0.035 W/kg

Maximum value of SAR (measured) = 0.0995 W/kg

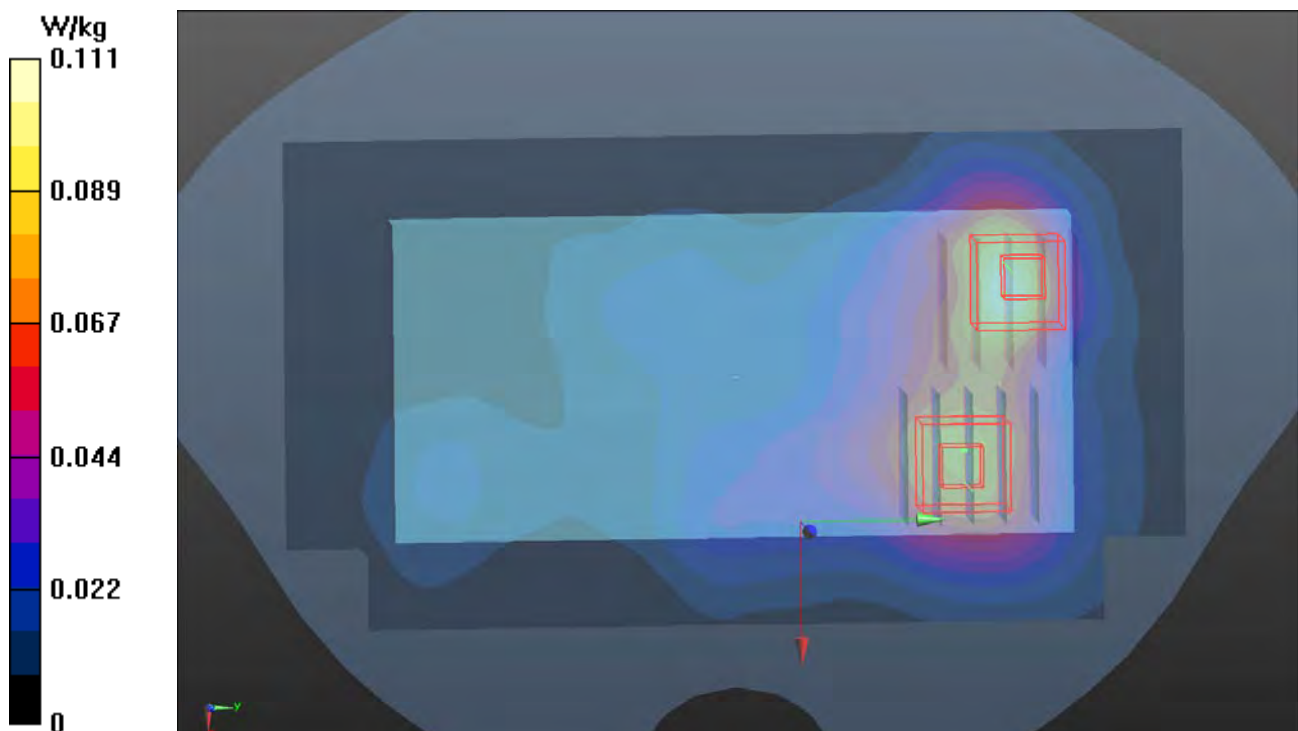
- **Zoom Scan (5x5x7)/Cube 1:** Measurement grid: dx=8mm, dy=8mm, dz=5mm

Reference Value = 7.577 V/m; Power Drift = 0.10 dB

Peak SAR (extrapolated) = 0.102 W/kg

SAR(1 g) = 0.059 W/kg; SAR(10 g) = 0.035 W/kg

Maximum value of SAR (measured) = 0.0847 W/kg



P15 WLAN5.3G_802.11n HT20_Front Face_15mm_Ch56

DUT: 190211C01

Communication System: WLAN_5G; Frequency: 5280 MHz; Duty Cycle: 1:1.16

Medium: B34T60N1_0226 Medium parameters used: $f = 5280$ MHz; $\sigma = 5.467$ S/m; $\epsilon_r = 47.638$; $\rho = 1000$ kg/m³

Ambient Temperature : 23.6 °C ; Liquid Temperature : 23.3 °C

DASY5 Configuration:

- Probe: EX3DV4 - SN7472; ConvF(4.9, 4.9, 4.9); Calibrated: 2018/08/29
- Sensor-Surface: 1.4mm (Mechanical Surface Detection)
- Electronics: DAE4 Sn1431; Calibrated: 2018/03/16
- Phantom: Twin SAM Phantom_1822; Type: QD000P40CD;
- Measurement SW: DASY52, Version 52.10 (2); SEMCAD X Version 14.6.12 (7450)

- **Area Scan (121x221x1):** Interpolated grid: dx=1.000 mm, dy=1.000 mm

Maximum value of SAR (interpolated) = 0.139 W/kg

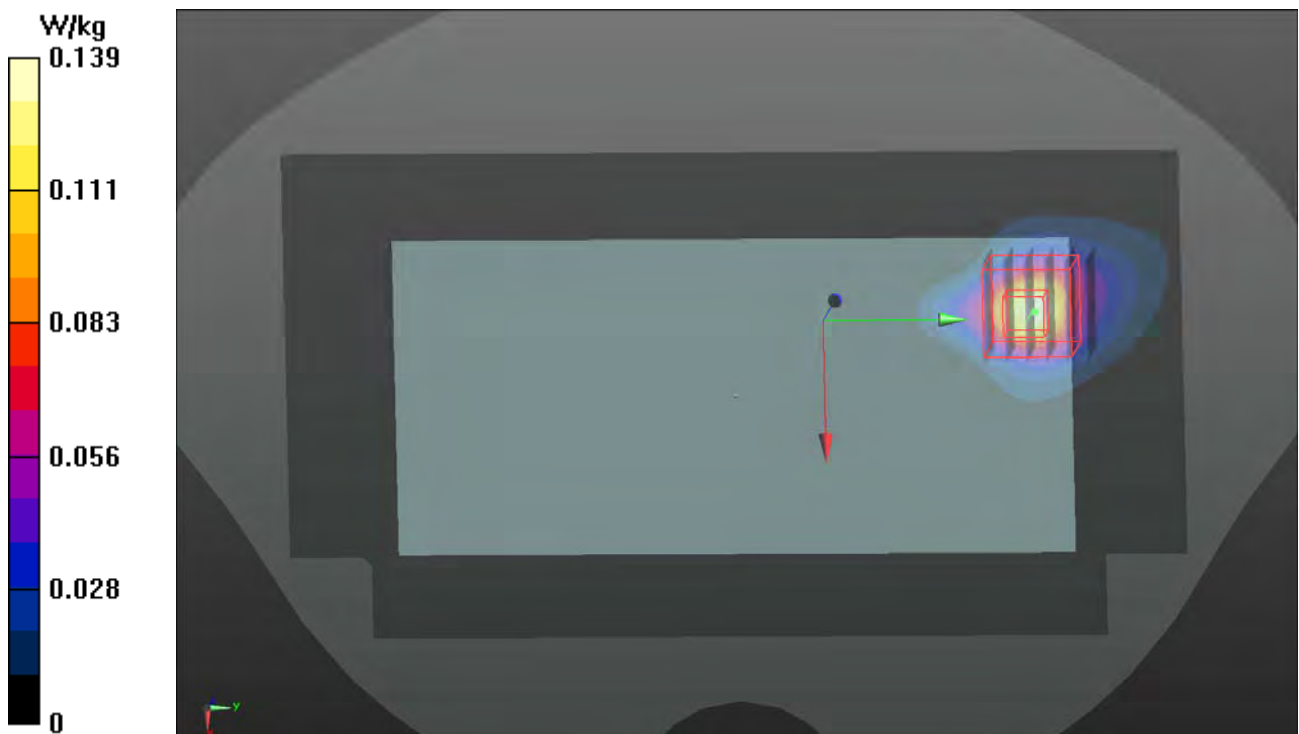
- **Zoom Scan (6x6x12)/Cube 0:** Measurement grid: dx=5mm, dy=5mm, dz=2mm

Reference Value = 5.496 V/m; Power Drift = -0.03 dB

Peak SAR (extrapolated) = 0.204 W/kg

SAR(1 g) = 0.054 W/kg; SAR(10 g) = 0.019 W/kg

Maximum value of SAR (measured) = 0.122 W/kg



P16 WLAN5.6G_802.11n HT20_Front Face_15mm_Ch116

DUT: 190211C01

Communication System: WLAN_5G; Frequency: 5580 MHz; Duty Cycle: 1:1.16

Medium: B34T60N1_0226 Medium parameters used: $f = 5580$ MHz; $\sigma = 5.9$ S/m; $\epsilon_r = 47.021$; $\rho = 1000$ kg/m³

Ambient Temperature : 23.6 °C ; Liquid Temperature : 23.3 °C

DASY5 Configuration:

- Probe: EX3DV4 - SN7472; ConvF(4.37, 4.37, 4.37); Calibrated: 2018/08/29
- Sensor-Surface: 1.4mm (Mechanical Surface Detection)
- Electronics: DAE4 Sn1431; Calibrated: 2018/03/16
- Phantom: Twin SAM Phantom_1822; Type: QD000P40CD;
- Measurement SW: DASY52, Version 52.10 (2); SEMCAD X Version 14.6.12 (7450)

- **Area Scan (121x221x1):** Interpolated grid: dx=1.000 mm, dy=1.000 mm

Maximum value of SAR (interpolated) = 0.333 W/kg

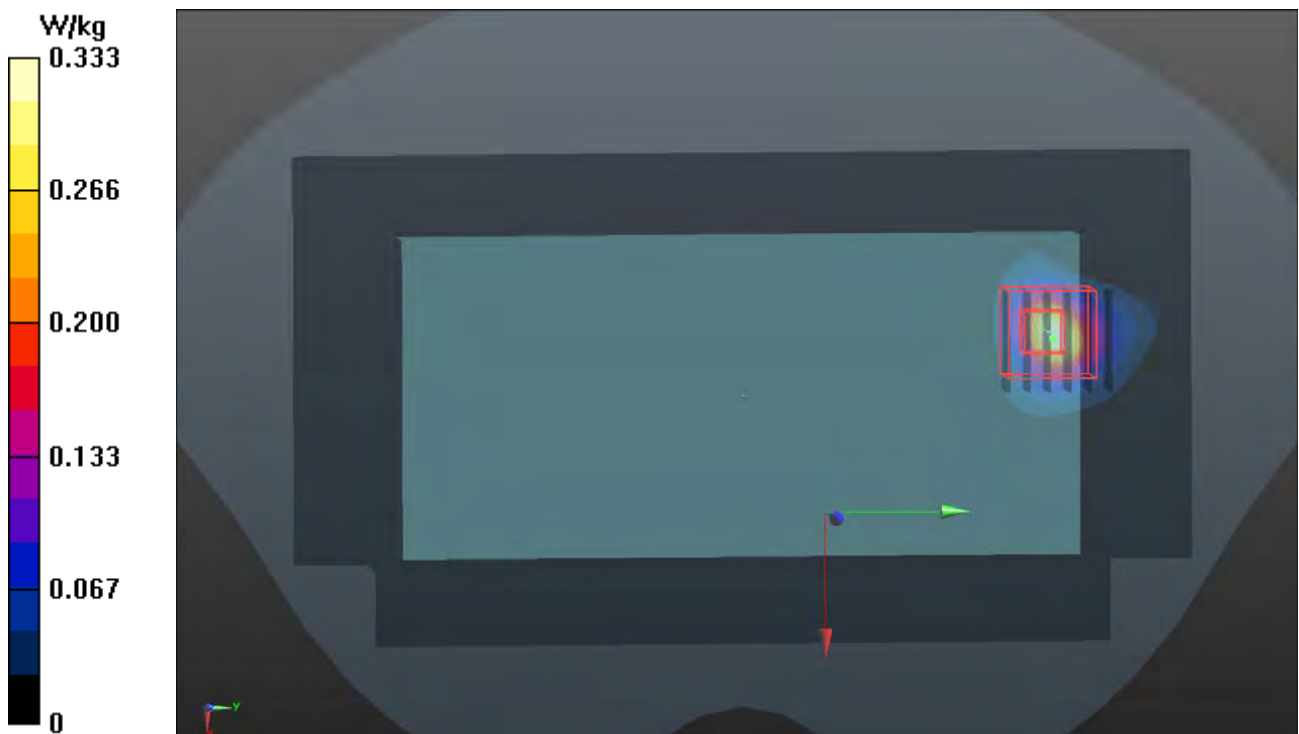
- **Zoom Scan (6x6x12)/Cube 0:** Measurement grid: dx=5mm, dy=5mm, dz=2mm

Reference Value = 6.433 V/m; Power Drift = -0.05 dB

Peak SAR (extrapolated) = 0.339 W/kg

SAR(1 g) = 0.089 W/kg; SAR(10 g) = 0.030 W/kg

Maximum value of SAR (measured) = 0.214 W/kg



P17 WLAN5.8G_802.11n HT40_Front Face_15mm_Ch151

DUT: 190211C01

Communication System: WLAN_5G; Frequency: 5755 MHz; Duty Cycle: 1:1.32

Medium: B34T60N1_0226 Medium parameters used: $f = 5755$ MHz; $\sigma = 6.131$ S/m; $\epsilon_r = 46.658$; $\rho = 1000$ kg/m³

Ambient Temperature : 23.6 °C ; Liquid Temperature : 23.3 °C

DASY5 Configuration:

- Probe: EX3DV4 - SN7472; ConvF(4.56, 4.56, 4.56); Calibrated: 2018/08/29
- Sensor-Surface: 1.4mm (Mechanical Surface Detection)
- Electronics: DAE4 Sn1431; Calibrated: 2018/03/16
- Phantom: Twin SAM Phantom_1822; Type: QD000P40CD;
- Measurement SW: DASY52, Version 52.10 (2); SEMCAD X Version 14.6.12 (7450)

- **Area Scan (121x221x1):** Interpolated grid: dx=1.000 mm, dy=1.000 mm

Maximum value of SAR (interpolated) = 0.295 W/kg

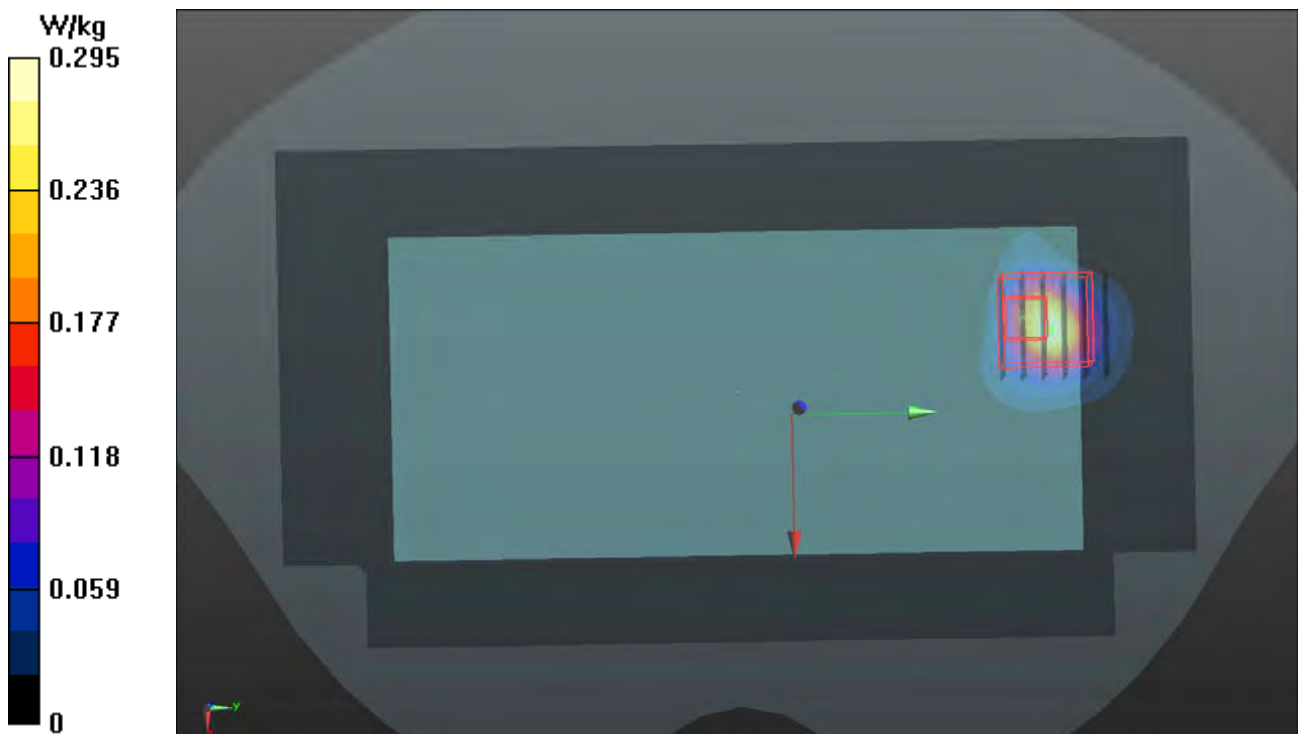
- **Zoom Scan (6x6x12)/Cube 0:** Measurement grid: dx=5mm, dy=5mm, dz=2mm

Reference Value = 6.355 V/m; Power Drift = -0.07 dB

Peak SAR (extrapolated) = 0.358 W/kg

SAR(1 g) = 0.080 W/kg; SAR(10 g) = 0.026 W/kg

Maximum value of SAR (measured) = 0.198 W/kg



P18 BT_BDR_Front Face_15mm_Ch0

DUT: 190211C01

Communication System: BT; Frequency: 2402 MHz; Duty Cycle: 1:1.31

Medium: B19T27N1_0226 Medium parameters used: $f = 2402$ MHz; $\sigma = 1.943$ S/m; $\epsilon_r = 52.684$; $\rho = 1000$ kg/m³

Ambient Temperature : 23.6 °C ; Liquid Temperature : 23.3 °C

DASY5 Configuration:

- Probe: EX3DV4 - SN7472; ConvF(7.84, 7.84, 7.84); Calibrated: 2018/08/29
- Sensor-Surface: 1.4mm (Mechanical Surface Detection)
- Electronics: DAE4 Sn1431; Calibrated: 2018/03/16
- Phantom: Twin SAM Phantom_1822; Type: QD000P40CD;
- Measurement SW: DASY52, Version 52.10 (2); SEMCAD X Version 14.6.12 (7450)

- **Area Scan (101x191x1):** Interpolated grid: dx=1.200 mm, dy=1.200 mm

Maximum value of SAR (interpolated) = 0.0273 W/kg

- **Zoom Scan (5x5x7)/Cube 0:** Measurement grid: dx=8mm, dy=8mm, dz=5mm

Reference Value = 2.910 V/m; Power Drift = -0.09 dB

Peak SAR (extrapolated) = 0.0160 W/kg

SAR(1 g) = 0.00936 W/kg; SAR(10 g) = 0.00381 W/kg

Maximum value of SAR (measured) = 0.0157 W/kg

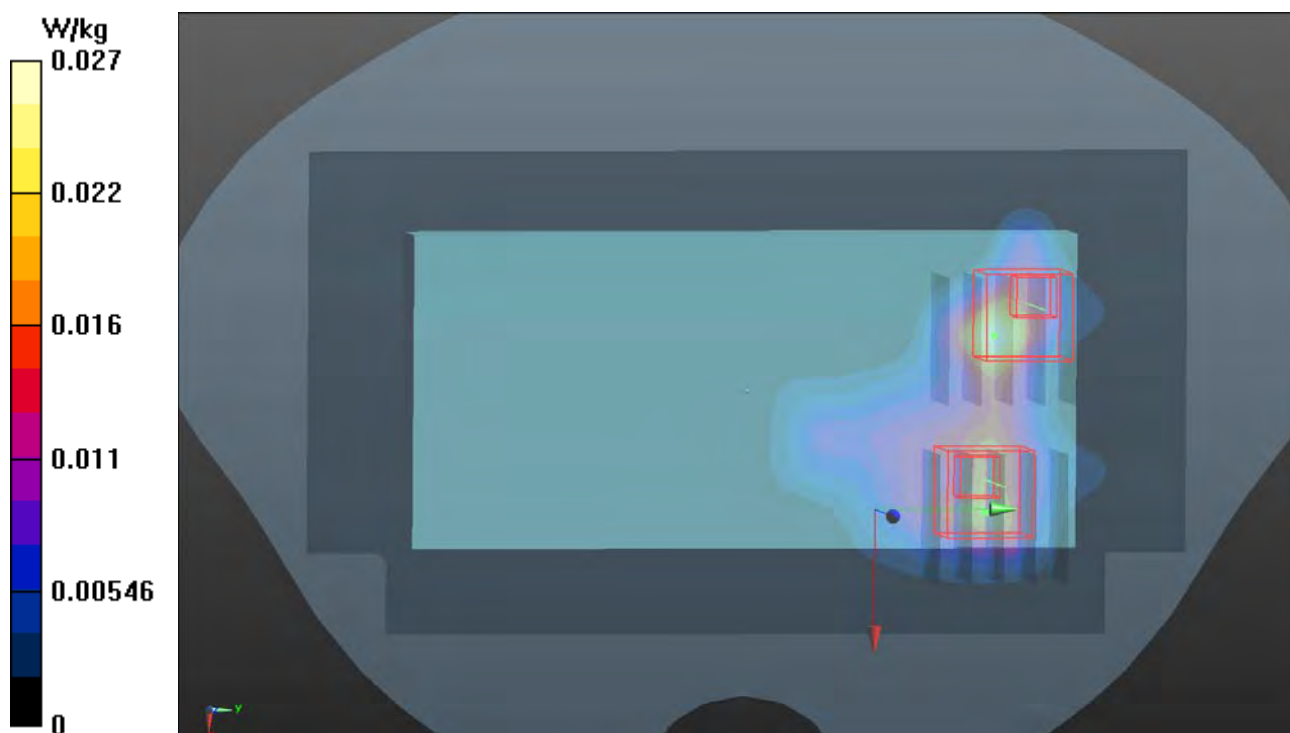
- **Zoom Scan (5x5x7)/Cube 1:** Measurement grid: dx=8mm, dy=8mm, dz=5mm

Reference Value = 2.910 V/m; Power Drift = -0.09 dB

Peak SAR (extrapolated) = 0.0220 W/kg

SAR(1 g) = 0.00904 W/kg; SAR(10 g) = 0.00479 W/kg

Maximum value of SAR (measured) = 0.0138 W/kg



P19 GSM850_GPRS12_Rear Face_0mm_Ch128

DUT: 190211C01

Communication System: GPRS12; Frequency: 824.2 MHz; Duty Cycle: 1:2

Medium: B07T10N1_0219 Medium parameters used: $f = 824.2$ MHz; $\sigma = 0.975$ S/m; $\epsilon_r = 55.843$; $\rho = 1000$ kg/m³

Ambient Temperature : 23.7 °C ; Liquid Temperature : 23.5 °C

DASY5 Configuration:

- Probe: EX3DV4 - SN7472; ConvF(10.35, 10.35, 10.35); Calibrated: 2018/08/29
- Sensor-Surface: 1.4mm (Mechanical Surface Detection)
- Electronics: DAE4 Sn1431; Calibrated: 2018/03/16
- Phantom: Twin SAM Phantom_1822; Type: QD000P40CD;
- Measurement SW: DASY52, Version 52.10 (2); SEMCAD X Version 14.6.12 (7450)

- **Area Scan (81x151x1):** Interpolated grid: dx=1.500 mm, dy=1.500 mm

Maximum value of SAR (interpolated) = 3.90 W/kg

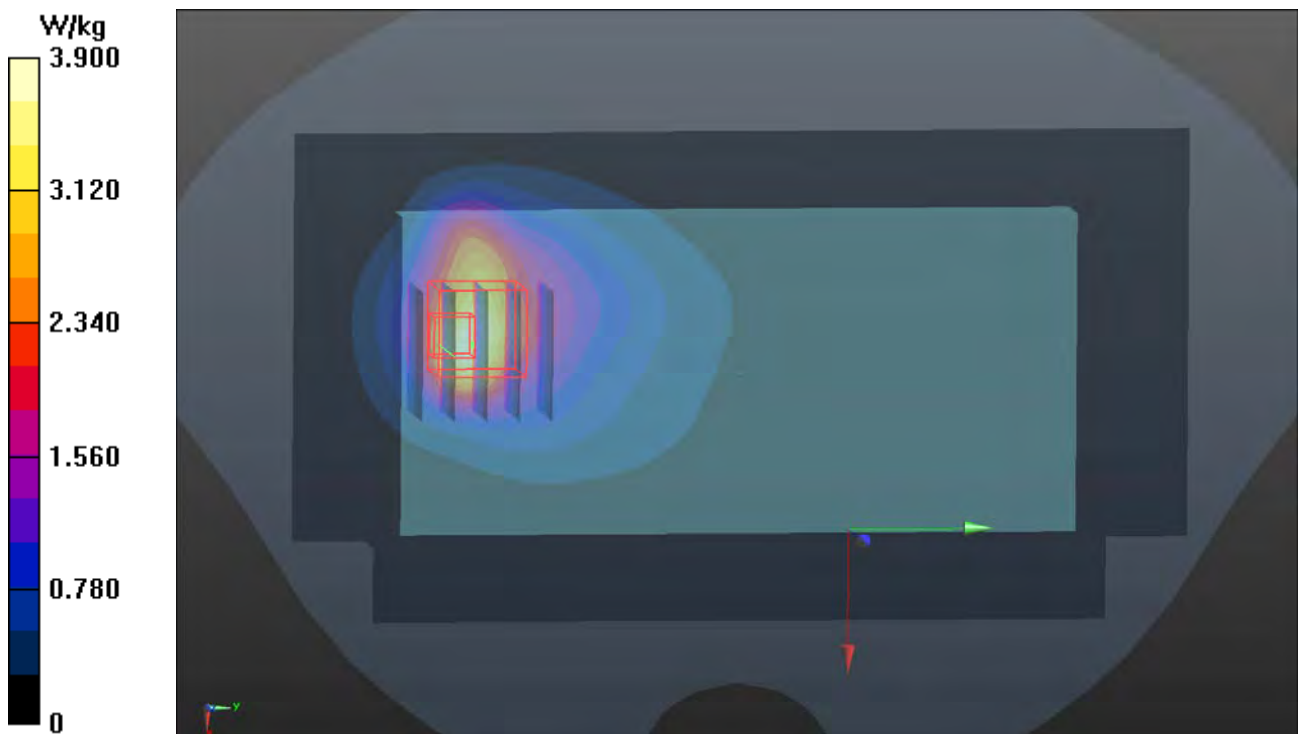
- **Zoom Scan (5x5x7)/Cube 0:** Measurement grid: dx=8mm, dy=8mm, dz=5mm

Reference Value = 57.16 V/m; Power Drift = 0.15 dB

Peak SAR (extrapolated) = 6.26 W/kg

SAR(1 g) = 2.5 W/kg; SAR(10 g) = 1.36 W/kg

Maximum value of SAR (measured) = 4.55 W/kg



P20 GSM1900_GPRS12_Rear Face_0mm_Ch512

DUT: 190211C01

Communication System: GPRS12; Frequency: 1850.2 MHz; Duty Cycle: 1:2

Medium: B16T20N2_0218 Medium parameters used: $f = 1850.2$ MHz; $\sigma = 1.546$ S/m; $\epsilon_r = 51.78$; $\rho = 1000$ kg/m³

Ambient Temperature : 23.8 °C ; Liquid Temperature : 23.2 °C

DASY5 Configuration:

- Probe: EX3DV4 - SN7472; ConvF(8.07, 8.07, 8.07); Calibrated: 2018/08/29
- Sensor-Surface: 1.4mm (Mechanical Surface Detection)
- Electronics: DAE4 Sn1431; Calibrated: 2018/03/16
- Phantom: Twin SAM Phantom_1822; Type: QD000P40CD;
- Measurement SW: DASY52, Version 52.10 (2); SEMCAD X Version 14.6.12 (7450)

- **Area Scan (81x151x1):** Interpolated grid: dx=1.500 mm, dy=1.500 mm

Maximum value of SAR (interpolated) = 6.29 W/kg

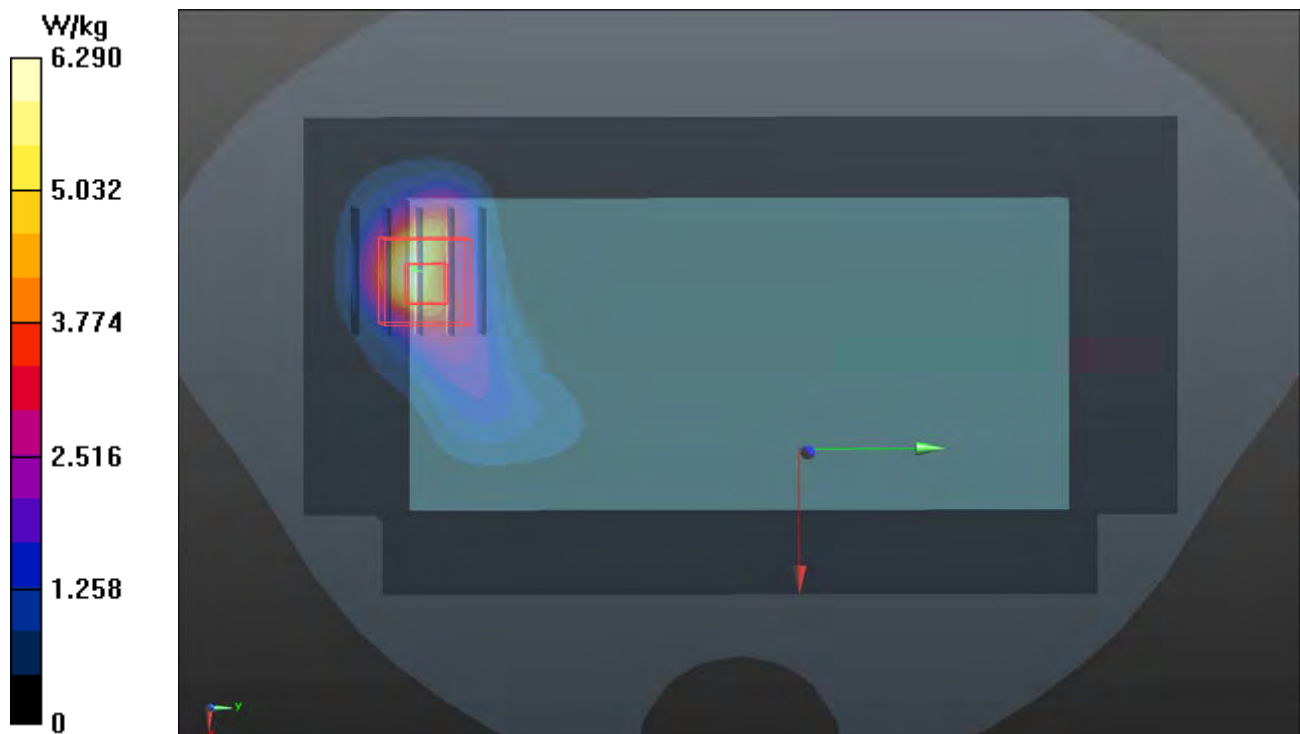
- **Zoom Scan (5x5x7)/Cube 0:** Measurement grid: dx=8mm, dy=8mm, dz=5mm

Reference Value = 53.68 V/m; Power Drift = -0.13 dB

Peak SAR (extrapolated) = 19.7 W/kg

SAR(1 g) = 8.68 W/kg; SAR(10 g) = 3.57 W/kg

Maximum value of SAR (measured) = 12.8 W/kg



P21 WCDMA II_RMC12.2K_Rear Face_0mm_Ch9538

DUT: 190211C01

Communication System: WCDMA; Frequency: 1907.6 MHz; Duty Cycle: 1:1

Medium: B16T20N2_0218 Medium parameters used: $f = 1908$ MHz; $\sigma = 1.585$ S/m; $\epsilon_r = 51.735$; $\rho =$

1000 kg/m³

Ambient Temperature : 23.8 °C ; Liquid Temperature : 23.2 °C

DASY5 Configuration:

- Probe: EX3DV4 - SN7472; ConvF(8.07, 8.07, 8.07); Calibrated: 2018/08/29

- Sensor-Surface: 1.4mm (Mechanical Surface Detection)

- Electronics: DAE4 Sn1431; Calibrated: 2018/03/16

- Phantom: Twin SAM Phantom_1822; Type: QD000P40CD;

- Measurement SW: DASY52, Version 52.10 (2); SEMCAD X Version 14.6.12 (7450)

- **Area Scan (81x151x1):** Interpolated grid: dx=1.500 mm, dy=1.500 mm

Maximum value of SAR (interpolated) = 16.8 W/kg

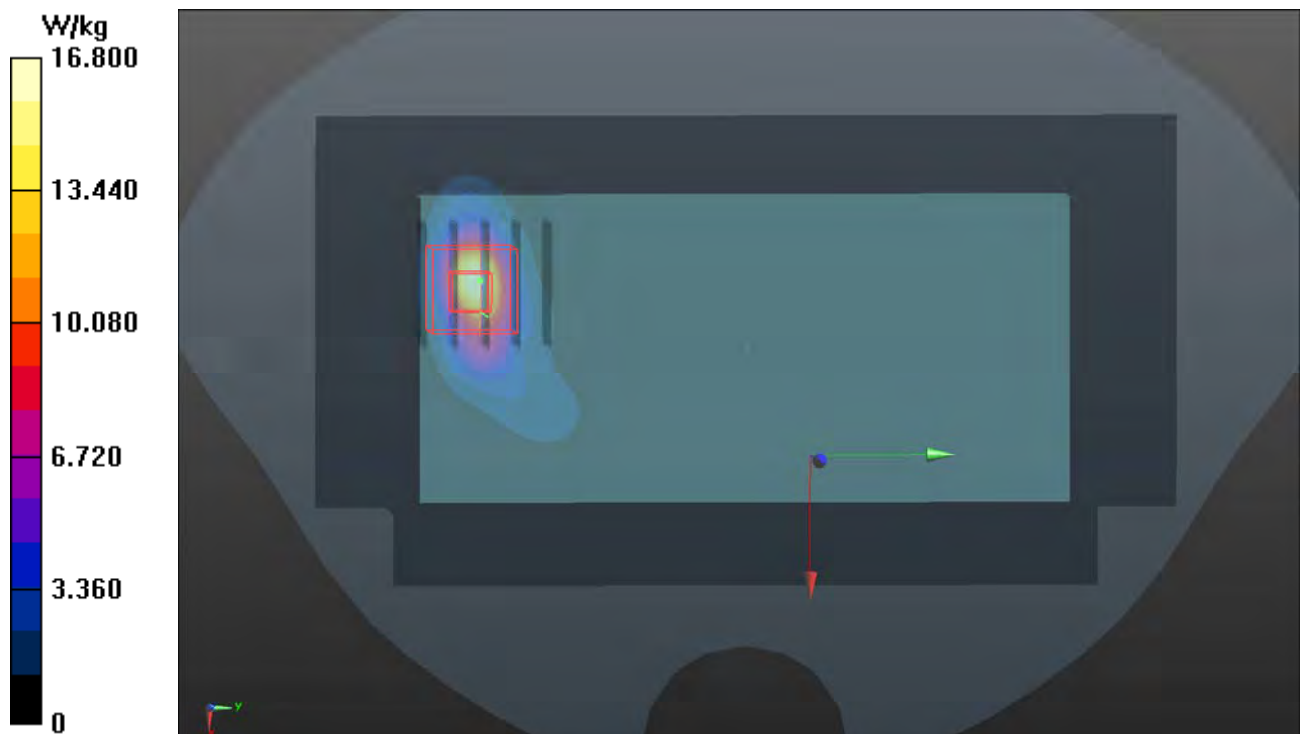
- **Zoom Scan (5x5x7)/Cube 0:** Measurement grid: dx=8mm, dy=8mm, dz=5mm

Reference Value = 106.2 V/m; Power Drift = -0.14 dB

Peak SAR (extrapolated) = 22.3 W/kg

SAR(1 g) = 9.11 W/kg; SAR(10 g) = 3.61 W/kg

Maximum value of SAR (measured) = 17.1 W/kg



P22 WCDMA IV_RMC12.2K_Rear Face_0mm_Ch1513

DUT: 190211C01

Communication System: WCDMA; Frequency: 1752.6 MHz; Duty Cycle: 1:1

Medium: B16T20N2_0218 Medium parameters used: $f = 1753$ MHz; $\sigma = 1.463$ S/m; $\epsilon_r = 52.029$; $\rho =$

1000 kg/m³

Ambient Temperature : 23.8 °C ; Liquid Temperature : 23.2 °C

DASY5 Configuration:

- Probe: EX3DV4 - SN7472; ConvF(8.42, 8.42, 8.42); Calibrated: 2018/08/29

- Sensor-Surface: 1.4mm (Mechanical Surface Detection)

- Electronics: DAE4 Sn1431; Calibrated: 2018/03/16

- Phantom: Twin SAM Phantom_1822; Type: QD000P40CD;

- Measurement SW: DASY52, Version 52.10 (2); SEMCAD X Version 14.6.12 (7450)

- **Area Scan (81x151x1):** Interpolated grid: dx=1.500 mm, dy=1.500 mm

Maximum value of SAR (interpolated) = 16.6 W/kg

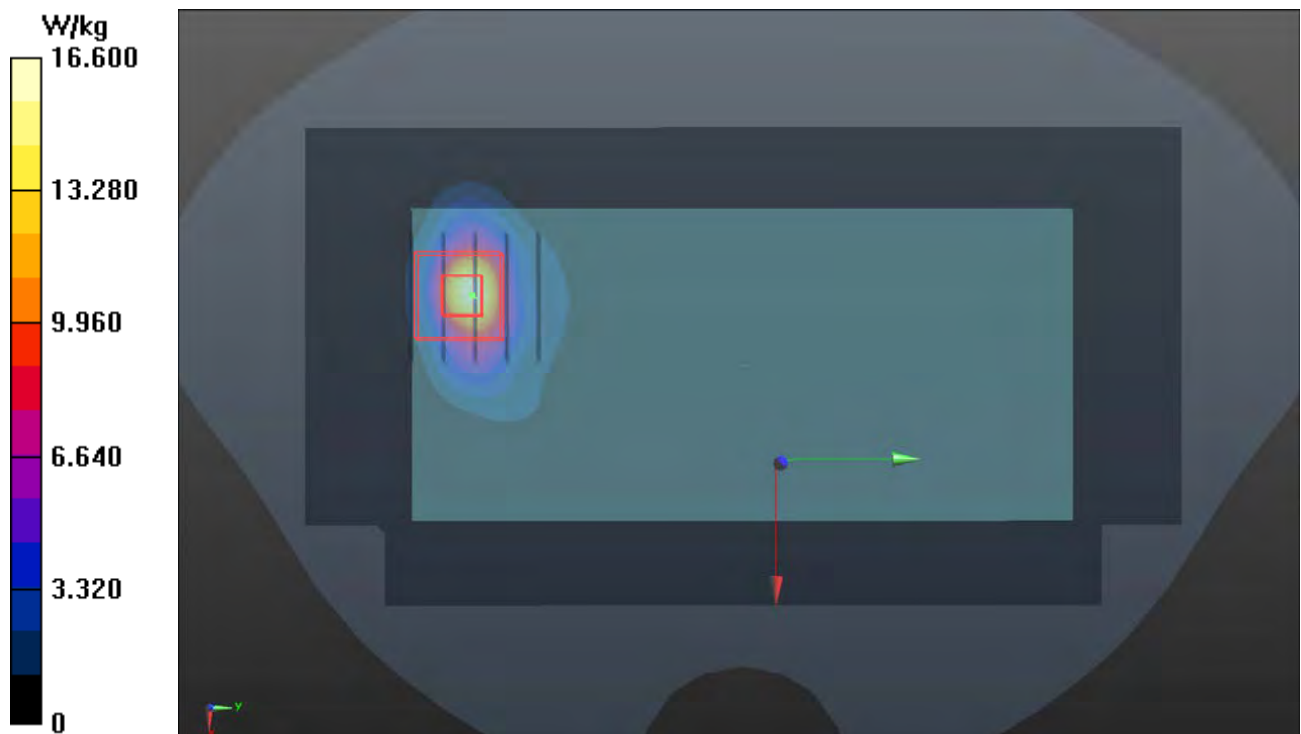
- **Zoom Scan (5x5x7)/Cube 0:** Measurement grid: dx=8mm, dy=8mm, dz=5mm

Reference Value = 109.4 V/m; Power Drift = -0.12 dB

Peak SAR (extrapolated) = 19.7 W/kg

SAR(1 g) = 8.61 W/kg; SAR(10 g) = 3.6 W/kg

Maximum value of SAR (measured) = 14.5 W/kg



P23 WCDMA V_RMC12.2K_Rear Face_0mm_Ch4132

DUT: 190211C01

Communication System: WCDMA; Frequency: 826.4 MHz; Duty Cycle: 1:1

Medium: B07T10N1_0219 Medium parameters used: $f = 826.4$ MHz; $\sigma = 0.977$ S/m; $\epsilon_r = 55.821$; $\rho = 1000$ kg/m³

Ambient Temperature : 23.7 °C ; Liquid Temperature : 23.5 °C

DASY5 Configuration:

- Probe: EX3DV4 - SN7472; ConvF(10.35, 10.35, 10.35); Calibrated: 2018/08/29
- Sensor-Surface: 1.4mm (Mechanical Surface Detection)
- Electronics: DAE4 Sn1431; Calibrated: 2018/03/16
- Phantom: Twin SAM Phantom_1822; Type: QD000P40CD;
- Measurement SW: DASY52, Version 52.10 (2); SEMCAD X Version 14.6.12 (7450)

- **Area Scan (81x151x1):** Interpolated grid: dx=1.500 mm, dy=1.500 mm

Maximum value of SAR (interpolated) = 2.54 W/kg

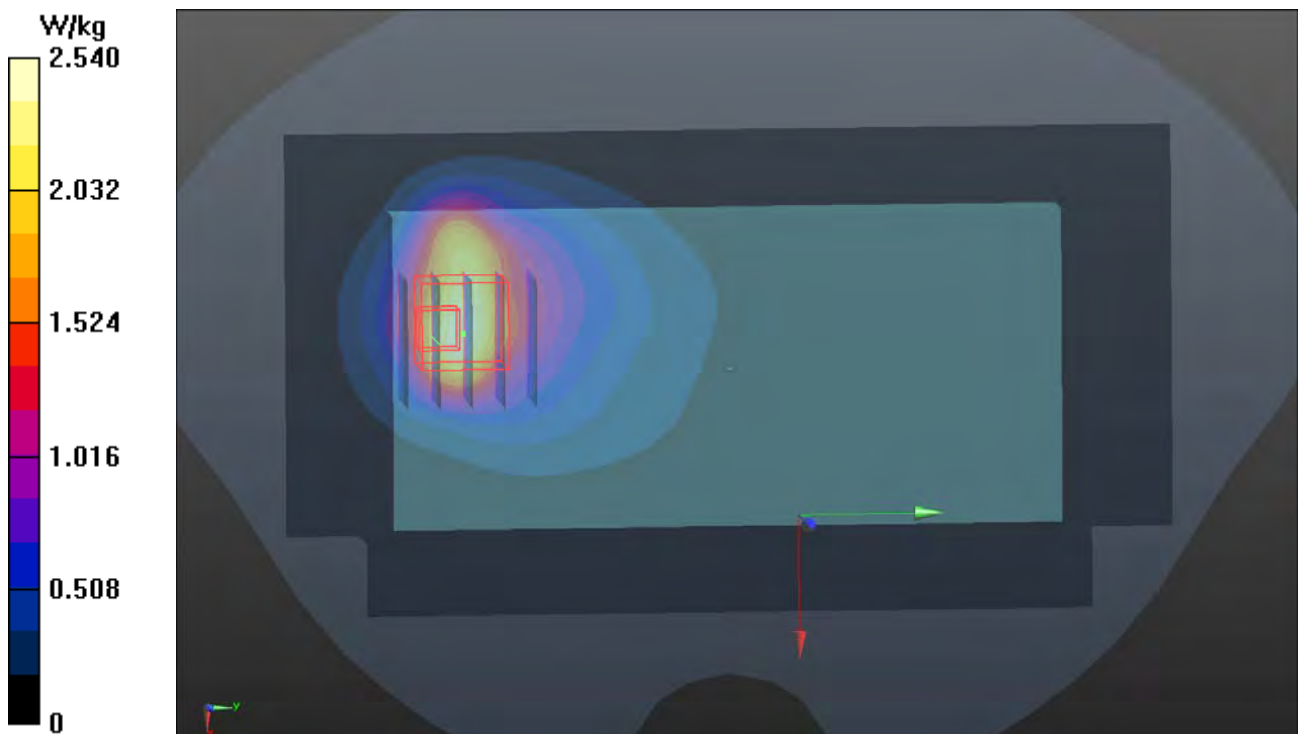
- **Zoom Scan (5x5x7)/Cube 0:** Measurement grid: dx=8mm, dy=8mm, dz=5mm

Reference Value = 48.69 V/m; Power Drift = -0.03 dB

Peak SAR (extrapolated) = 4.40 W/kg

SAR(1 g) = 1.76 W/kg; SAR(10 g) = 0.948 W/kg

Maximum value of SAR (measured) = 3.24 W/kg



P24 LTE 2_QPSK20M_Rear Face_0mm_Ch19100_1RB_OS0

DUT: 190211C01

Communication System: LTE; Frequency: 1900 MHz; Duty Cycle: 1:1

Medium: B16T20N2_0218 Medium parameters used: $f = 1900$ MHz; $\sigma = 1.578$ S/m; $\epsilon_r = 51.762$; $\rho = 1000$ kg/m³

Ambient Temperature : 23.8 °C ; Liquid Temperature : 23.2 °C

DASY5 Configuration:

- Probe: EX3DV4 - SN7472; ConvF(8.07, 8.07, 8.07); Calibrated: 2018/08/29
- Sensor-Surface: 1.4mm (Mechanical Surface Detection)
- Electronics: DAE4 Sn1431; Calibrated: 2018/03/16
- Phantom: Twin SAM Phantom_1822; Type: QD000P40CD;
- Measurement SW: DASY52, Version 52.10 (2); SEMCAD X Version 14.6.12 (7450)

- **Area Scan (81x151x1):** Interpolated grid: dx=1.500 mm, dy=1.500 mm

Maximum value of SAR (interpolated) = 12.6 W/kg

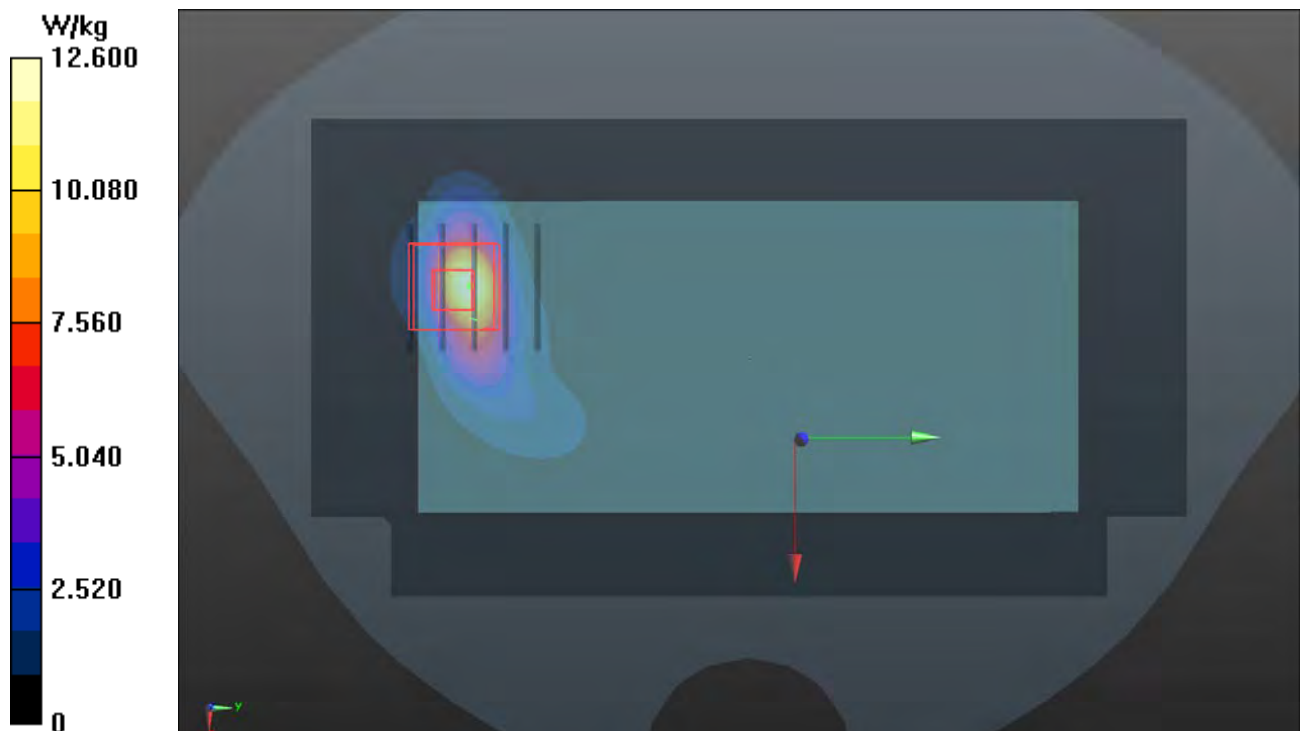
- **Zoom Scan (5x5x7)/Cube 0:** Measurement grid: dx=8mm, dy=8mm, dz=5mm

Reference Value = 93.79 V/m; Power Drift = -0.14 dB

Peak SAR (extrapolated) = 19.7 W/kg

SAR(1 g) = 8.58 W/kg; SAR(10 g) = 3.52 W/kg

Maximum value of SAR (measured) = 12.7 W/kg



P25 LTE 4_QPSK20M_Rear Face_0mm_Ch20300_1RB_OS0

DUT: 190211C01

Communication System: LTE; Frequency: 1745 MHz; Duty Cycle: 1:1

Medium: B16T20N2_0218 Medium parameters used: $f = 1745$ MHz; $\sigma = 1.457$ S/m; $\epsilon_r = 52.036$; $\rho = 1000$ kg/m³

Ambient Temperature : 23.8 °C ; Liquid Temperature : 23.2 °C

DASY5 Configuration:

- Probe: EX3DV4 - SN7472; ConvF(8.42, 8.42, 8.42); Calibrated: 2018/08/29
- Sensor-Surface: 1.4mm (Mechanical Surface Detection)
- Electronics: DAE4 Sn1431; Calibrated: 2018/03/16
- Phantom: Twin SAM Phantom_1822; Type: QD000P40CD;
- Measurement SW: DASY52, Version 52.10 (2); SEMCAD X Version 14.6.12 (7450)

- **Area Scan (81x151x1):** Interpolated grid: dx=1.500 mm, dy=1.500 mm

Maximum value of SAR (interpolated) = 10.7 W/kg

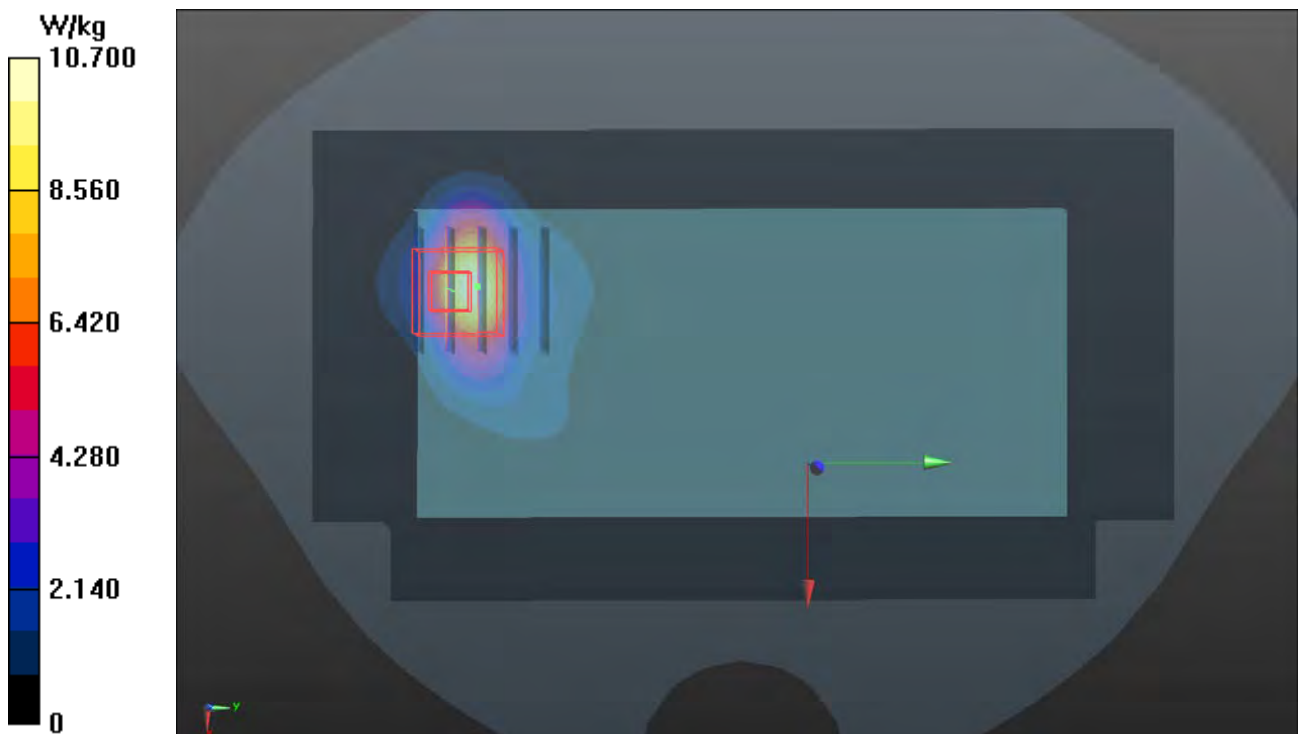
- **Zoom Scan (5x5x7)/Cube 0:** Measurement grid: dx=8mm, dy=8mm, dz=5mm

Reference Value = 89.01 V/m; Power Drift = -0.16 dB

Peak SAR (extrapolated) = 18.1 W/kg

SAR(1 g) = 8.04 W/kg; SAR(10 g) = 3.49 W/kg

Maximum value of SAR (measured) = 14.5 W/kg



P26 LTE 5_QPSK10M_Rear Face_0mm_Ch20450_1RB_OS0

DUT: 190211C01

Communication System: LTE; Frequency: 829 MHz; Duty Cycle: 1:1

Medium: B07T10N1_0219 Medium parameters used: $f = 829$ MHz; $\sigma = 0.979$ S/m; $\epsilon_r = 55.798$; $\rho = 1000$ kg/m³

Ambient Temperature : 23.7 °C ; Liquid Temperature : 23.5 °C

DASY5 Configuration:

- Probe: EX3DV4 - SN7472; ConvF(10.35, 10.35, 10.35); Calibrated: 2018/08/29
- Sensor-Surface: 1.4mm (Mechanical Surface Detection)
- Electronics: DAE4 Sn1431; Calibrated: 2018/03/16
- Phantom: Twin SAM Phantom_1822; Type: QD000P40CD;
- Measurement SW: DASY52, Version 52.10 (2); SEMCAD X Version 14.6.12 (7450)

- **Area Scan (81x151x1):** Interpolated grid: dx=1.500 mm, dy=1.500 mm

Maximum value of SAR (interpolated) = 2.24 W/kg

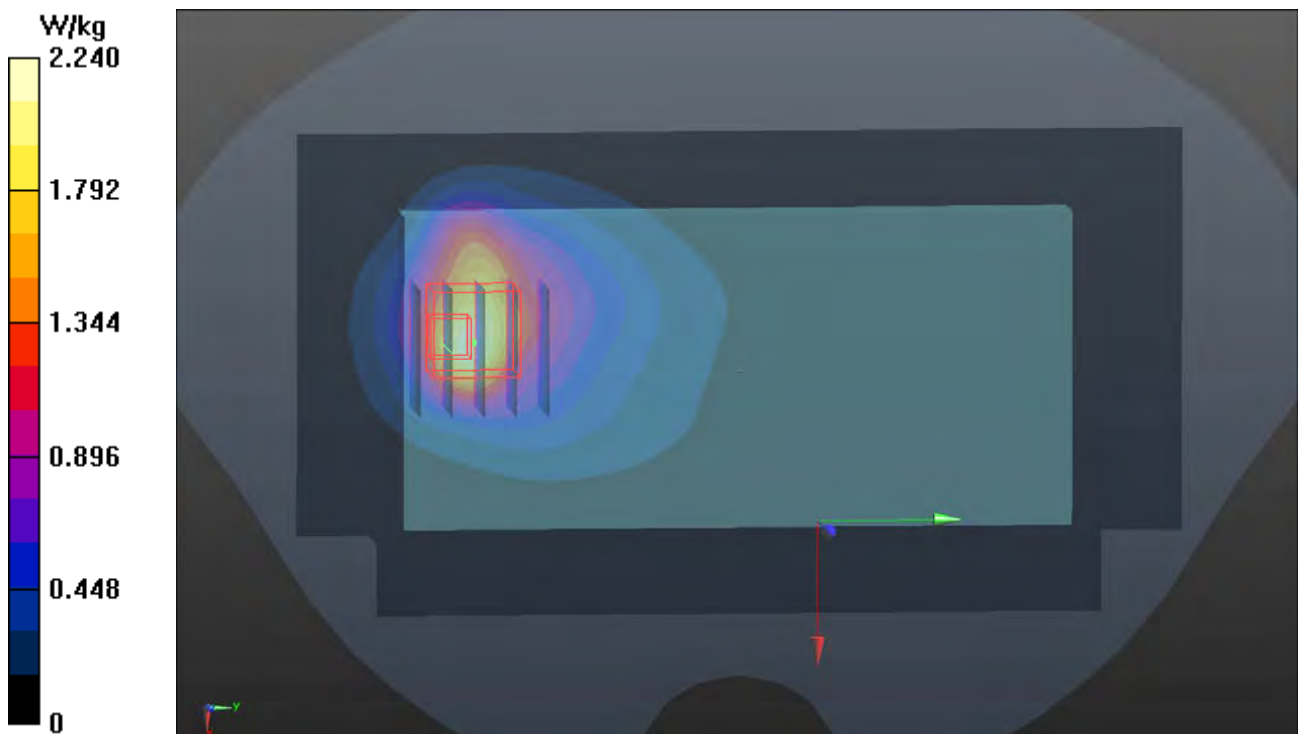
- **Zoom Scan (5x5x7)/Cube 0:** Measurement grid: dx=8mm, dy=8mm, dz=5mm

Reference Value = 43.82 V/m; Power Drift = 0.09 dB

Peak SAR (extrapolated) = 3.52 W/kg

SAR(1 g) = 1.43 W/kg; SAR(10 g) = 0.783 W/kg

Maximum value of SAR (measured) = 2.61 W/kg



P27 LTE 7_QPSK20M_Rear Face_0mm_Ch21350_1RB_OS0

DUT: 190211C01

Communication System: LTE; Frequency: 2560 MHz; Duty Cycle: 1:1

Medium: B19T27N1_0219 Medium parameters used: $f = 2560$ MHz; $\sigma = 2.135$ S/m; $\epsilon_r = 51.122$; $\rho = 1000$ kg/m³

Ambient Temperature : 23.7 °C ; Liquid Temperature : 23.5 °C

DASY5 Configuration:

- Probe: EX3DV4 - SN7472; ConvF(7.7, 7.7, 7.7); Calibrated: 2018/08/29
- Sensor-Surface: 1.4mm (Mechanical Surface Detection)
- Electronics: DAE4 Sn1431; Calibrated: 2018/03/16
- Phantom: Twin SAM Phantom_1822; Type: QD000P40CD;
- Measurement SW: DASY52, Version 52.10 (2); SEMCAD X Version 14.6.12 (7450)

- **Area Scan (101x191x1):** Interpolated grid: dx=1.200 mm, dy=1.200 mm

Maximum value of SAR (interpolated) = 5.09 W/kg

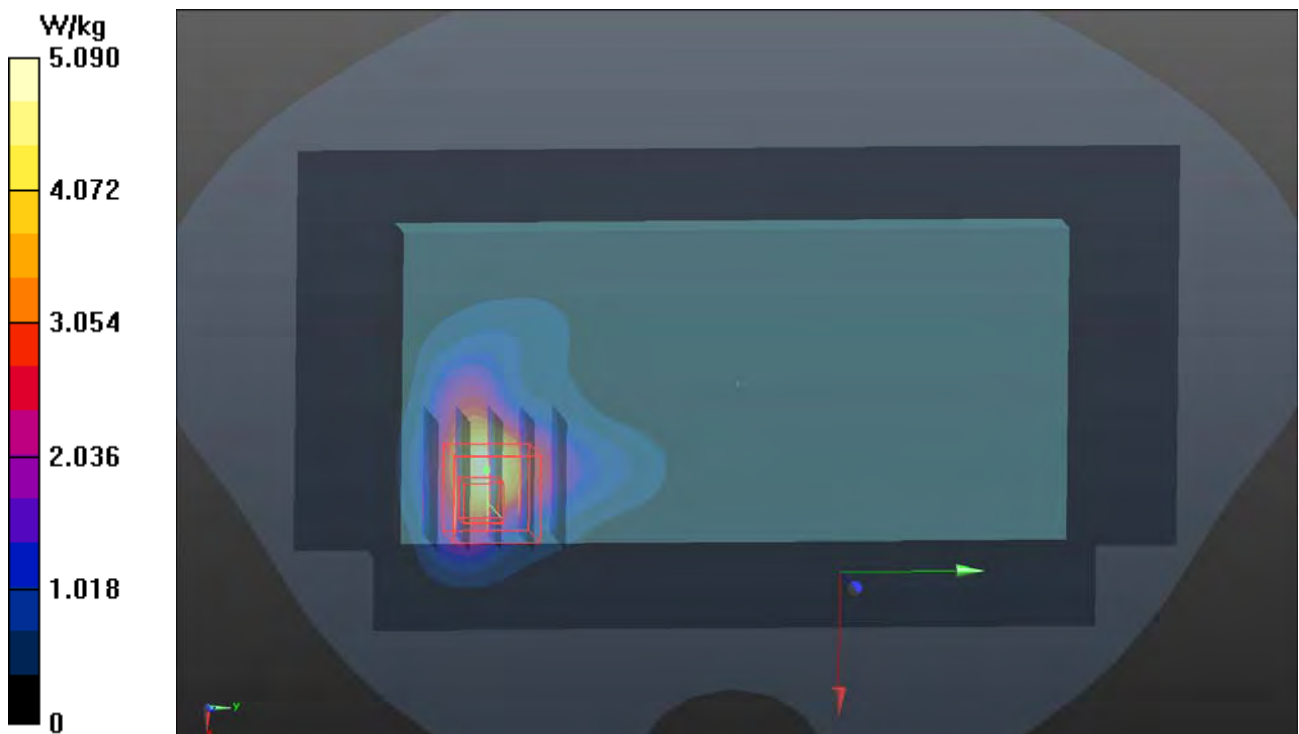
- **Zoom Scan (5x5x7)/Cube 0:** Measurement grid: dx=8mm, dy=8mm, dz=5mm

Reference Value = 41.80 V/m; Power Drift = -0.08 dB

Peak SAR (extrapolated) = 10.5 W/kg

SAR(1 g) = 4.23 W/kg; SAR(10 g) = 1.75 W/kg

Maximum value of SAR (measured) = 7.69 W/kg



P28 LTE 12_QPSK10M_Rear Face_0mm_Ch23060_1RB_OS0

DUT: 190211C01

Communication System: LTE; Frequency: 704 MHz; Duty Cycle: 1:1

Medium: B06T09N1_0307 Medium parameters used: $f = 704$ MHz; $\sigma = 0.92$ S/m; $\epsilon_r = 54.412$; $\rho = 1000$ kg/m³

Ambient Temperature : 23.7 °C ; Liquid Temperature : 23.2 °C

DASY5 Configuration:

- Probe: EX3DV4 - SN3971; ConvF(10.43, 10.43, 10.43); Calibrated: 2018/3/26
- Sensor-Surface: 1.4mm (Mechanical Surface Detection)
- Electronics: DAE4 Sn861; Calibrated: 2018/5/30
- Phantom: Twin SAM Phantom_1823; Type: QD 000 P40 CD; Serial: xxxx
- Measurement SW: DASY52, Version 52.10 (2); SEMCAD X Version 14.6.12 (7450)

- **Area Scan (81x151x1):** Interpolated grid: dx=1.500 mm, dy=1.500 mm

Maximum value of SAR (interpolated) = 1.16 W/kg

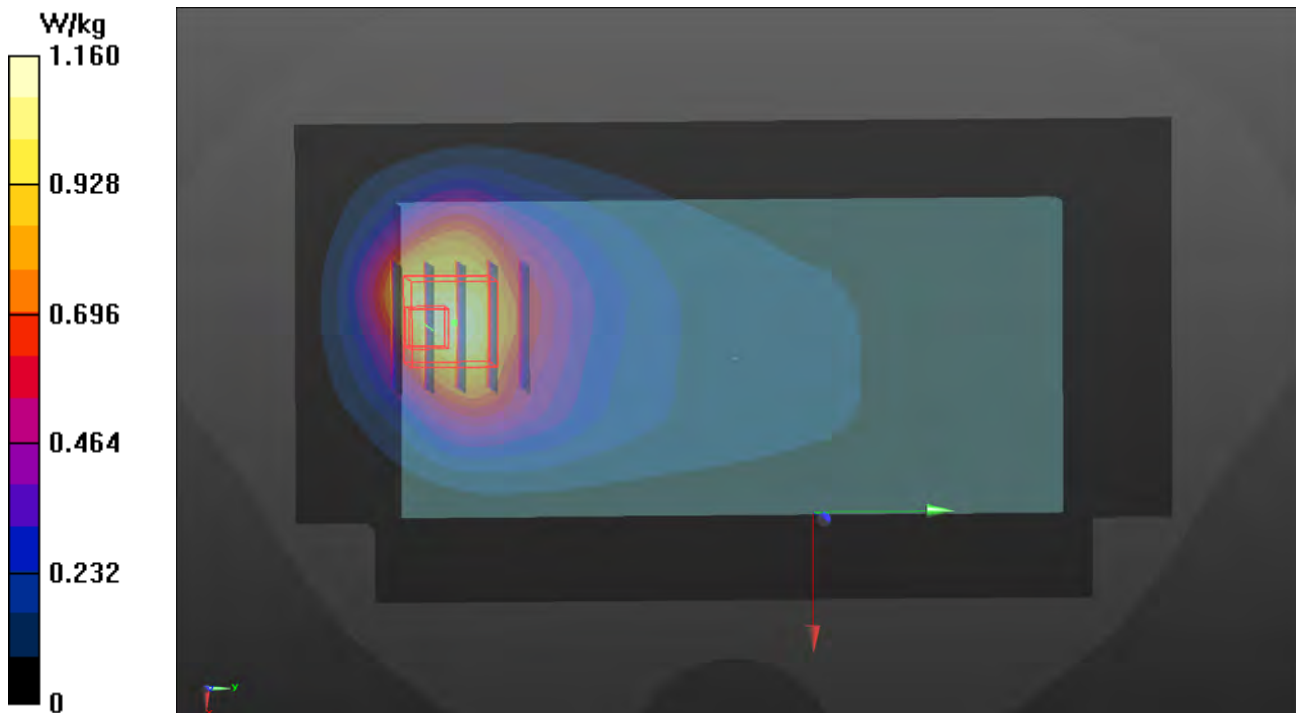
- **Zoom Scan (5x5x7)/Cube 0:** Measurement grid: dx=8mm, dy=8mm, dz=5mm

Reference Value = 34.58 V/m; Power Drift = -0.15 dB

Peak SAR (extrapolated) = 2.43 W/kg

SAR(1 g) = 1.04 W/kg; SAR(10 g) = 0.576 W/kg

Maximum value of SAR (measured) = 1.87 W/kg



P29 LTE 13_QPSK10M_Rear Face_0mm_Ch23230_1RB_OS0

DUT: 190211C01

Communication System: LTE; Frequency: 782 MHz; Duty Cycle: 1:1

Medium: B06T09N1_0219 Medium parameters used: $f = 782 \text{ MHz}$; $\sigma = 0.994 \text{ S/m}$; $\epsilon_r = 53.62$; $\rho = 1000 \text{ kg/m}^3$

Ambient Temperature : $23.7 \text{ }^\circ\text{C}$; Liquid Temperature : $23.5 \text{ }^\circ\text{C}$

DASY5 Configuration:

- Probe: EX3DV4 - SN7472; ConvF(10.66, 10.66, 10.66); Calibrated: 2018/08/29
- Sensor-Surface: 1.4mm (Mechanical Surface Detection)
- Electronics: DAE4 Sn1431; Calibrated: 2018/03/16
- Phantom: Twin SAM Phantom_1822; Type: QD000P40CD;
- Measurement SW: DASY52, Version 52.10 (2); SEMCAD X Version 14.6.12 (7450)

- **Area Scan (81x151x1):** Interpolated grid: $dx=1.500 \text{ mm}$, $dy=1.500 \text{ mm}$

Maximum value of SAR (interpolated) = 2.75 W/kg

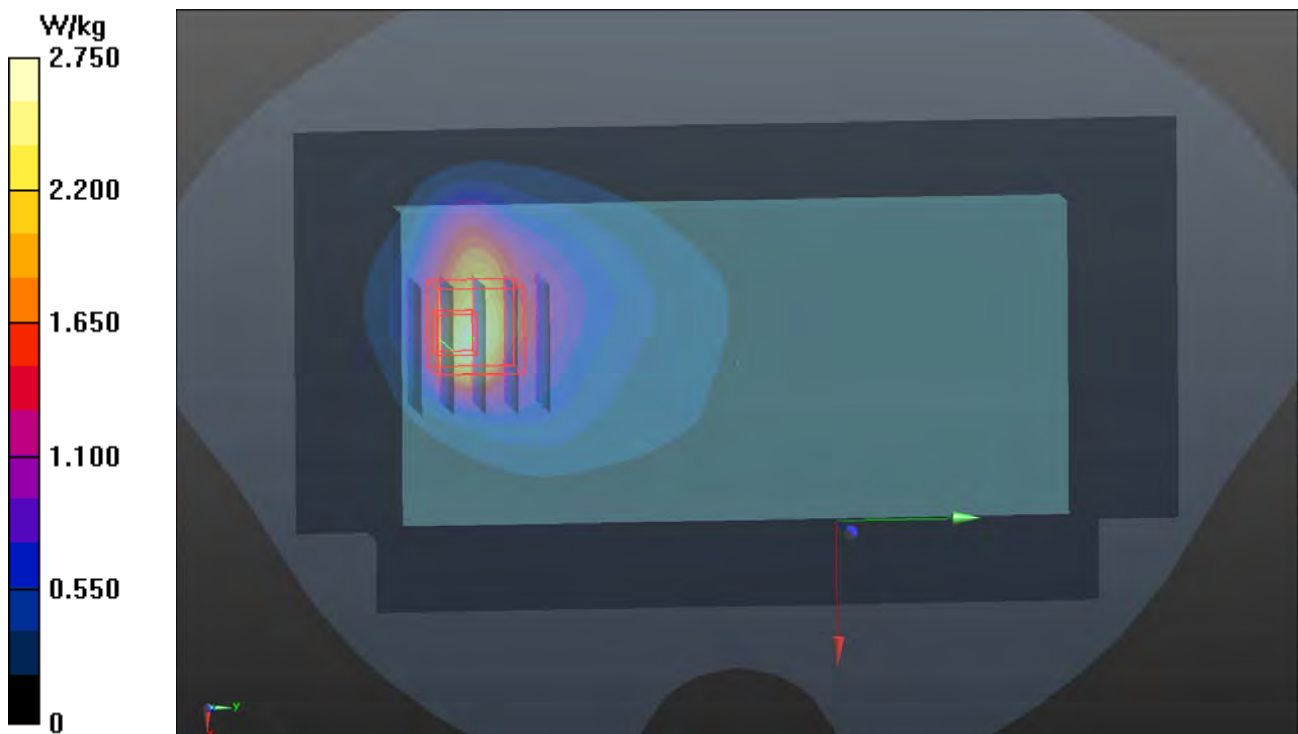
- **Zoom Scan (5x5x7)/Cube 0:** Measurement grid: $dx=8\text{mm}$, $dy=8\text{mm}$, $dz=5\text{mm}$

Reference Value = 47.44 V/m ; Power Drift = 0.03 dB

Peak SAR (extrapolated) = 4.52 W/kg

SAR(1 g) = 1.75 W/kg ; SAR(10 g) = 0.940 W/kg

Maximum value of SAR (measured) = 3.21 W/kg



P30 LTE 25_QPSK20M_Rear Face_0mm_Ch26590_1RB_OS0

DUT: 190211C01

Communication System: LTE; Frequency: 1905 MHz; Duty Cycle: 1:1

Medium: B16T20N2_0218 Medium parameters used: $f = 1905 \text{ MHz}$; $\sigma = 1.582 \text{ S/m}$; $\epsilon_r = 51.745$; $\rho = 1000 \text{ kg/m}^3$

Ambient Temperature : $23.8 \text{ }^\circ\text{C}$; Liquid Temperature : $23.2 \text{ }^\circ\text{C}$

DASY5 Configuration:

- Probe: EX3DV4 - SN7472; ConvF(8.07, 8.07, 8.07); Calibrated: 2018/08/29
- Sensor-Surface: 1.4mm (Mechanical Surface Detection)
- Electronics: DAE4 Sn1431; Calibrated: 2018/03/16
- Phantom: Twin SAM Phantom_1822; Type: QD000P40CD;
- Measurement SW: DASY52, Version 52.10 (2); SEMCAD X Version 14.6.12 (7450)

- **Area Scan (81x151x1):** Interpolated grid: $dx=1.500 \text{ mm}$, $dy=1.500 \text{ mm}$

Maximum value of SAR (interpolated) = 6.69 W/kg

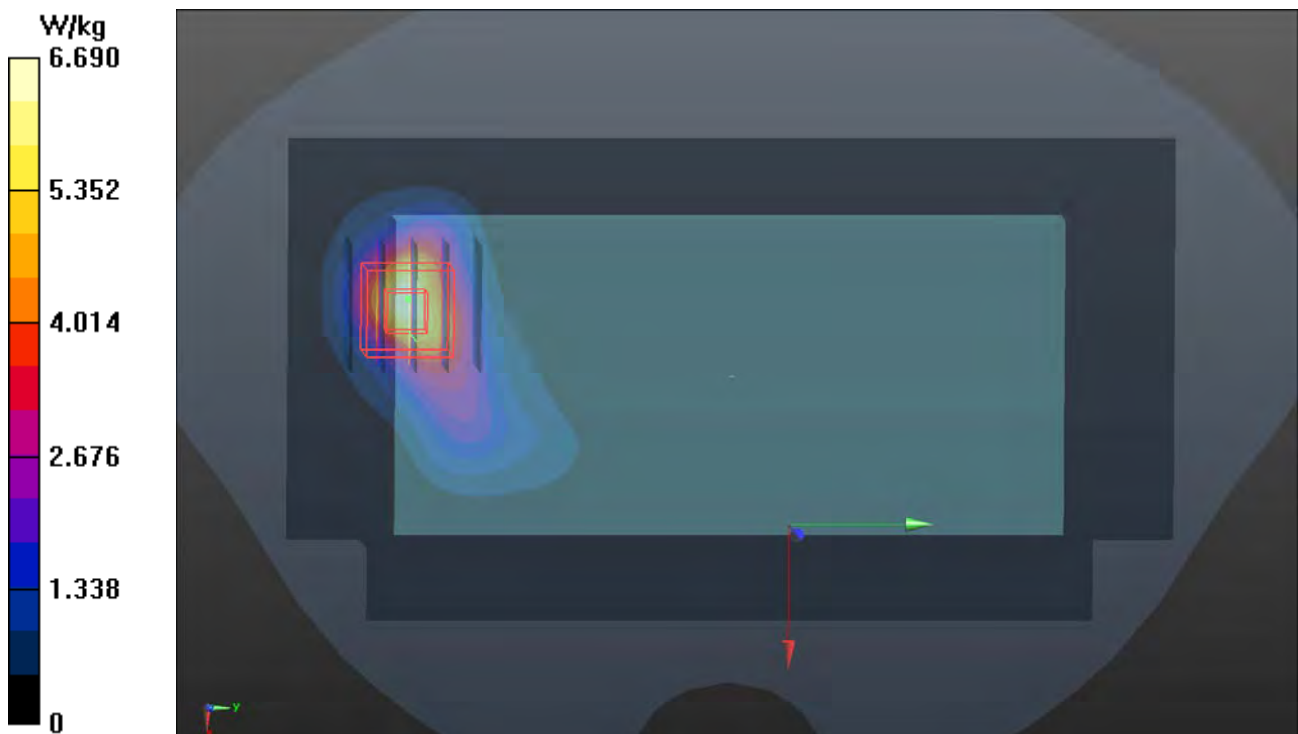
- **Zoom Scan (5x5x7)/Cube 0:** Measurement grid: $dx=8\text{mm}$, $dy=8\text{mm}$, $dz=5\text{mm}$

Reference Value = 51.09 V/m ; Power Drift = 0.11 dB

Peak SAR (extrapolated) = 20.0 W/kg

SAR(1 g) = 8.86 W/kg ; SAR(10 g) = 3.61 W/kg

Maximum value of SAR (measured) = 16.2 W/kg



P31 LTE 26_QPSK15M_Rear Face_0mm_Ch26765_1RB_OS0

DUT: 190211C01

Communication System: LTE; Frequency: 821.5 MHz; Duty Cycle: 1:1

Medium: B07T10N1_0219 Medium parameters used: $f = 821.5 \text{ MHz}$; $\sigma = 0.972 \text{ S/m}$; $\epsilon_r = 55.869$; $\rho = 1000 \text{ kg/m}^3$

Ambient Temperature : 23.7 °C ; Liquid Temperature : 23.5 °C

DASY5 Configuration:

- Probe: EX3DV4 - SN7472; ConvF(10.35, 10.35, 10.35); Calibrated: 2018/08/29
- Sensor-Surface: 1.4mm (Mechanical Surface Detection)
- Electronics: DAE4 Sn1431; Calibrated: 2018/03/16
- Phantom: Twin SAM Phantom_1822; Type: QD000P40CD;
- Measurement SW: DASY52, Version 52.10 (2); SEMCAD X Version 14.6.12 (7450)

- **Area Scan (81x151x1):** Interpolated grid: $dx=1.500 \text{ mm}$, $dy=1.500 \text{ mm}$

Maximum value of SAR (interpolated) = 2.69 W/kg

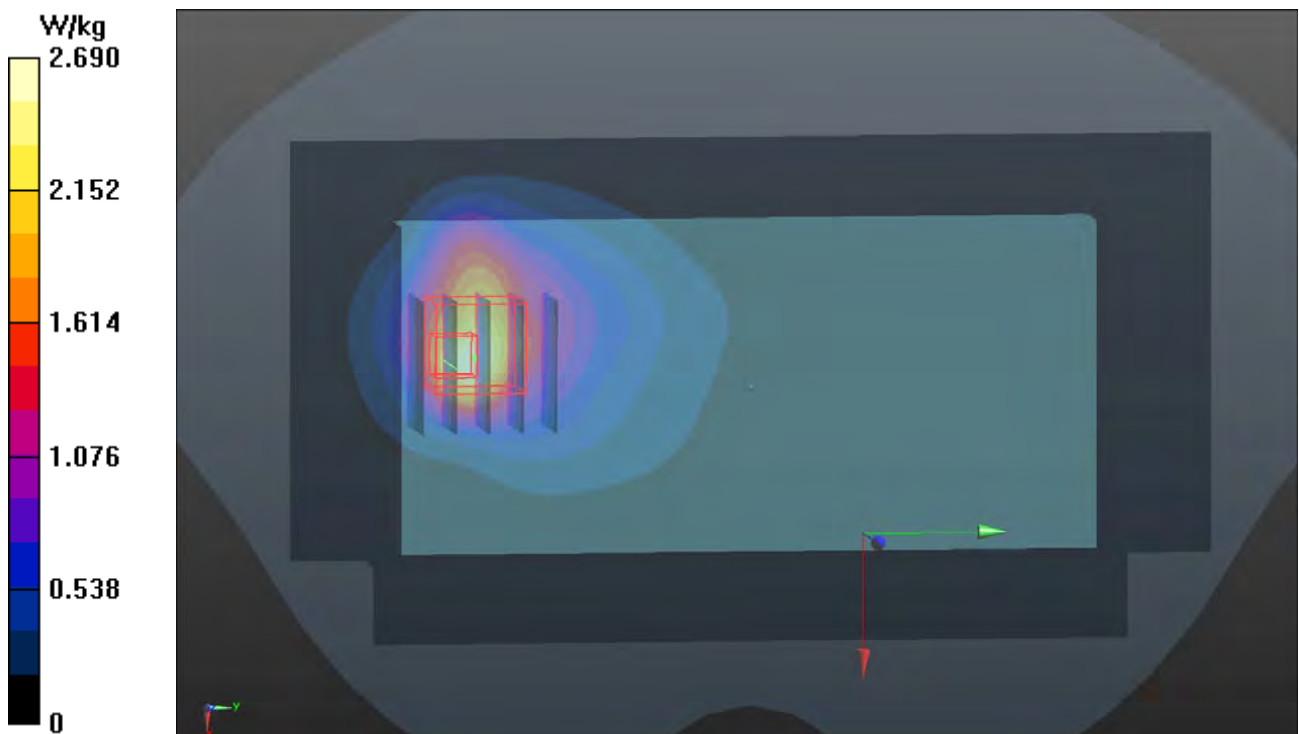
- **Zoom Scan (5x5x7)/Cube 0:** Measurement grid: $dx=8\text{mm}$, $dy=8\text{mm}$, $dz=5\text{mm}$

Reference Value = 48.13 V/m; Power Drift = -0.01 dB

Peak SAR (extrapolated) = 4.09 W/kg

SAR(1 g) = 1.65 W/kg; SAR(10 g) = 0.895 W/kg

Maximum value of SAR (measured) = 3.01 W/kg



P32 WLAN2.4G_802.11b_Front Face_0mm_Ch6

DUT: 190211C01

Communication System: WLAN_2.4G; Frequency: 2437 MHz; Duty Cycle: 1:1.03

Medium: B19T27N1_0219 Medium parameters used: $f = 2437$ MHz; $\sigma = 1.989$ S/m; $\epsilon_r = 51.429$; $\rho =$

1000 kg/m³

Ambient Temperature : 23.7 °C ; Liquid Temperature : 23.5 °C

DASY5 Configuration:

- Probe: EX3DV4 - SN7472; ConvF(7.84, 7.84, 7.84); Calibrated: 2018/08/29
- Sensor-Surface: 1.4mm (Mechanical Surface Detection)
- Electronics: DAE4 Sn1431; Calibrated: 2018/03/16
- Phantom: Twin SAM Phantom_1822; Type: QD000P40CD;
- Measurement SW: DASY52, Version 52.10 (2); SEMCAD X Version 14.6.12 (7450)

- **Area Scan (101x191x1):** Interpolated grid: dx=1.200 mm, dy=1.200 mm

Maximum value of SAR (interpolated) = 1.52 W/kg

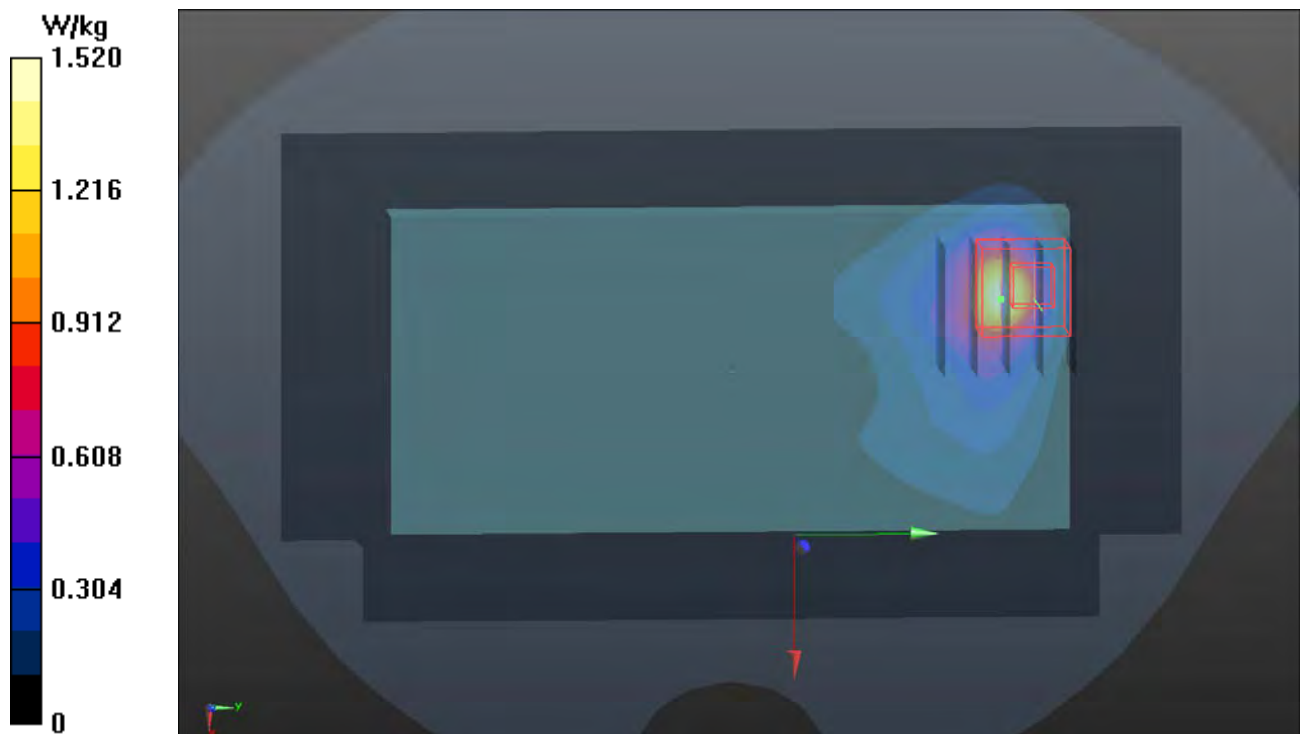
- **Zoom Scan (5x5x7)/Cube 0:** Measurement grid: dx=8mm, dy=8mm, dz=5mm

Reference Value = 26.63 V/m; Power Drift = 0.14 dB

Peak SAR (extrapolated) = 2.93 W/kg

SAR(1 g) = 1.05 W/kg; SAR(10 g) = 0.396 W/kg

Maximum value of SAR (measured) = 2.17 W/kg



P33 WLAN5.3G_802.11n HT20_Front Face_0mm_Ch56

DUT: 190211C01

Communication System: WLAN_5G; Frequency: 5280 MHz; Duty Cycle: 1:1.16

Medium: B34T60N1_0219 Medium parameters used: $f = 5280$ MHz; $\sigma = 5.421$ S/m; $\epsilon_r = 46.863$; $\rho = 1000$ kg/m³

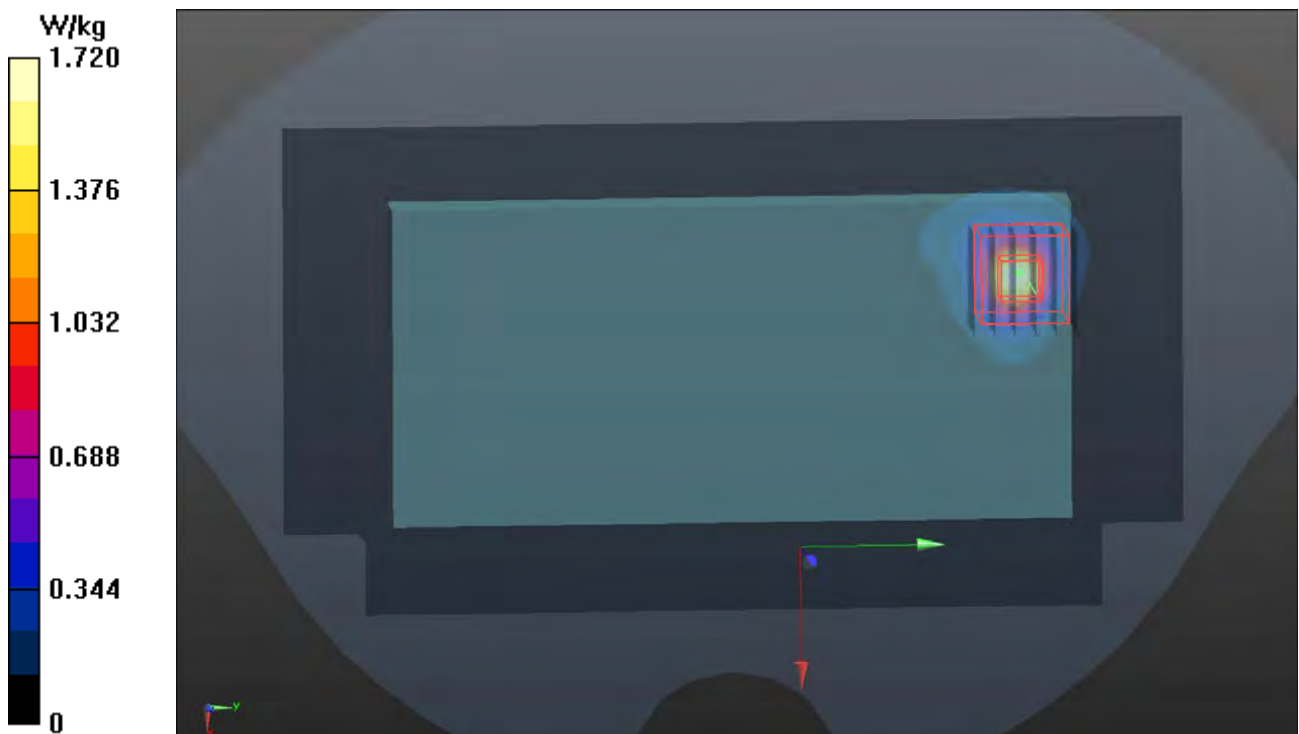
Ambient Temperature : 23.7 °C ; Liquid Temperature : 23.5 °C

DASY5 Configuration:

- Probe: EX3DV4 - SN7472; ConvF(4.9, 4.9, 4.9); Calibrated: 2018/08/29
- Sensor-Surface: 1.4mm (Mechanical Surface Detection)
- Electronics: DAE4 Sn1431; Calibrated: 2018/03/16
- Phantom: Twin SAM Phantom_1822; Type: QD000P40CD;
- Measurement SW: DASY52, Version 52.10 (2); SEMCAD X Version 14.6.12 (7450)

- **Area Scan (121x221x1):** Interpolated grid: dx=1.000 mm, dy=1.000 mm
Maximum value of SAR (interpolated) = 1.72 W/kg

- **Zoom Scan (6x6x12)/Cube 0:** Measurement grid: dx=5mm, dy=5mm, dz=2mm
Reference Value = 20.44 V/m; Power Drift = 0.07 dB
Peak SAR (extrapolated) = 3.04 W/kg
SAR(1 g) = 0.653 W/kg; SAR(10 g) = 0.160 W/kg
Maximum value of SAR (measured) = 1.58 W/kg



P34 WLAN5.6G_802.11n HT20_Front Face_0mm_Ch116

DUT: 190211C01

Communication System: WLAN_5G; Frequency: 5580 MHz; Duty Cycle: 1:1.16

Medium: B34T60N1_0219 Medium parameters used: $f = 5580$ MHz; $\sigma = 5.789$ S/m; $\epsilon_r = 46.3$; $\rho = 1000$ kg/m³

Ambient Temperature : 23.7 °C ; Liquid Temperature : 23.5 °C

DASY5 Configuration:

- Probe: EX3DV4 - SN7472; ConvF(4.37, 4.37, 4.37); Calibrated: 2018/08/29
- Sensor-Surface: 1.4mm (Mechanical Surface Detection)
- Electronics: DAE4 Sn1431; Calibrated: 2018/03/16
- Phantom: Twin SAM Phantom_1822; Type: QD000P40CD;
- Measurement SW: DASY52, Version 52.10 (2); SEMCAD X Version 14.6.12 (7450)

- **Area Scan (121x221x1):** Interpolated grid: dx=1.000 mm, dy=1.000 mm

Maximum value of SAR (interpolated) = 2.39 W/kg

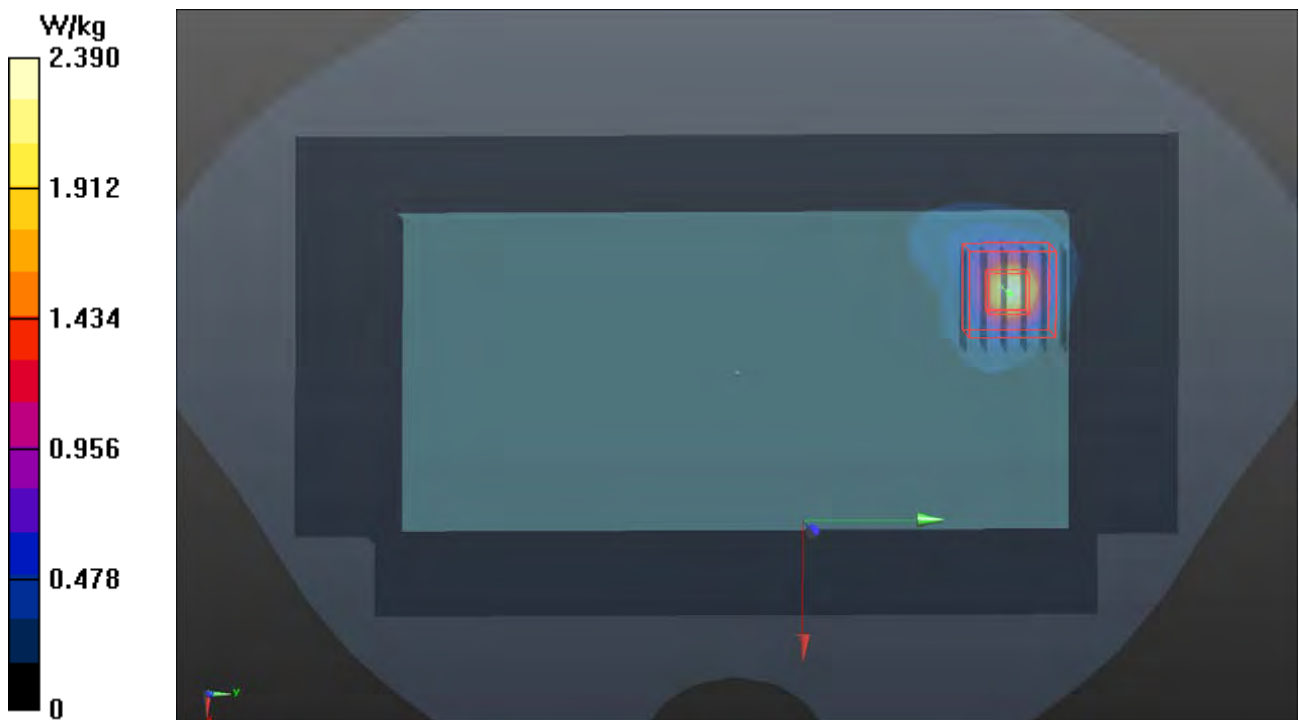
- **Zoom Scan (6x6x12)/Cube 0:** Measurement grid: dx=5mm, dy=5mm, dz=2mm

Reference Value = 23.04 V/m; Power Drift = -0.09 dB

Peak SAR (extrapolated) = 5.13 W/kg

SAR(1 g) = 0.950 W/kg; SAR(10 g) = 0.224 W/kg

Maximum value of SAR (measured) = 2.67 W/kg



P35 WLAN5.8G_802.11n HT40_Front Face_0mm_Ch151

DUT: 190211C01

Communication System: WLAN_5G; Frequency: 5755 MHz; Duty Cycle: 1:1.32

Medium: B34T60N1_0219 Medium parameters used: $f = 5755$ MHz; $\sigma = 5.992$ S/m; $\epsilon_r = 46.076$; $\rho =$

1000 kg/m³

Ambient Temperature : 23.7 °C ; Liquid Temperature : 23.5 °C

DASY5 Configuration:

- Probe: EX3DV4 - SN7472; ConvF(4.56, 4.56, 4.56); Calibrated: 2018/08/29
- Sensor-Surface: 1.4mm (Mechanical Surface Detection)
- Electronics: DAE4 Sn1431; Calibrated: 2018/03/16
- Phantom: Twin SAM Phantom_1822; Type: QD000P40CD;
- Measurement SW: DASY52, Version 52.10 (2); SEMCAD X Version 14.6.12 (7450)

- **Area Scan (121x221x1):** Interpolated grid: dx=1.000 mm, dy=1.000 mm

Maximum value of SAR (interpolated) = 1.97 W/kg

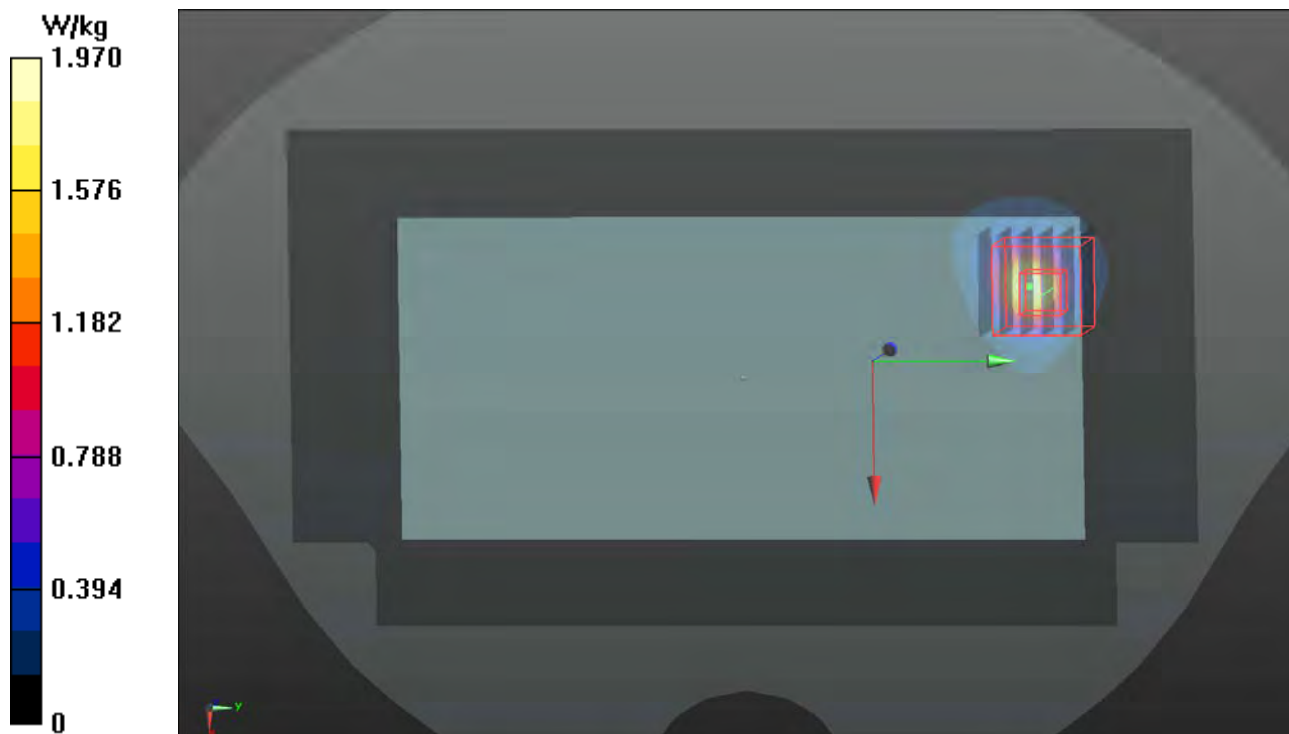
- **Zoom Scan (6x6x12)/Cube 0:** Measurement grid: dx=5mm, dy=5mm, dz=2mm

Reference Value = 20.55 V/m; Power Drift = 0.02 dB

Peak SAR (extrapolated) = 4.12 W/kg

SAR(1 g) = 0.749 W/kg; SAR(10 g) = 0.170 W/kg

Maximum value of SAR (measured) = 2.20 W/kg



P36 BT_BDR_Front Face_0mm_Ch0

DUT: 190211C01

Communication System: BT; Frequency: 2402 MHz; Duty Cycle: 1:1.31

Medium: B19T27N1_0219 Medium parameters used: $f = 2402$ MHz; $\sigma = 1.95$ S/m; $\epsilon_r = 51.715$; $\rho = 1000$ kg/m³

Ambient Temperature : 23.7 °C ; Liquid Temperature : 23.5 °C

DASY5 Configuration:

- Probe: EX3DV4 - SN7472; ConvF(7.84, 7.84, 7.84); Calibrated: 2018/08/29
- Sensor-Surface: 1.4mm (Mechanical Surface Detection)
- Electronics: DAE4 Sn1431; Calibrated: 2018/03/16
- Phantom: Twin SAM Phantom_1822; Type: QD000P40CD;
- Measurement SW: DASY52, Version 52.10 (2); SEMCAD X Version 14.6.12 (7450)

- **Area Scan (101x191x1):** Interpolated grid: dx=1.200 mm, dy=1.200 mm

Maximum value of SAR (interpolated) = 0.454 W/kg

- **Zoom Scan (5x5x7)/Cube 0:** Measurement grid: dx=8mm, dy=8mm, dz=5mm

Reference Value = 13.33 V/m; Power Drift = -0.02 dB

Peak SAR (extrapolated) = 0.556 W/kg

SAR(1 g) = 0.176 W/kg; SAR(10 g) = 0.066 W/kg

Maximum value of SAR (measured) = 0.393 W/kg





Appendix C. Calibration Certificate for Probe and Dipole

The SPEAG calibration certificates are shown as follows.



Accredited by the Swiss Accreditation Service (SAS)
The Swiss Accreditation Service is one of the signatories to the EA
Multilateral Agreement for the recognition of calibration certificates

Accreditation No.: **SCS 0108**

Client **B.V.ADT (Auden)**

Certificate No: **D750V3-1013_Aug18**

CALIBRATION CERTIFICATE

Object **D750V3 - SN:1013**

Calibration procedure(s) **QA CAL-05.v10
Calibration procedure for dipole validation kits above 700 MHz**

Calibration date: **August 23, 2018**

This calibration certificate documents the traceability to national standards, which realize the physical units of measurements (SI).
The measurements and the uncertainties with confidence probability are given on the following pages and are part of the certificate.

All calibrations have been conducted in the closed laboratory facility: environment temperature (22 ± 3)°C and humidity < 70%.

Calibration Equipment used (M&TE critical for calibration)

Primary Standards	ID #	Cal Date (Certificate No.)	Scheduled Calibration
Power meter NRP	SN: 104778	04-Apr-18 (No. 217-02672/02673)	Apr-19
Power sensor NRP-Z91	SN: 103244	04-Apr-18 (No. 217-02672)	Apr-19
Power sensor NRP-Z91	SN: 103245	04-Apr-18 (No. 217-02673)	Apr-19
Reference 20 dB Attenuator	SN: 5058 (20k)	04-Apr-18 (No. 217-02682)	Apr-19
Type-N mismatch combination	SN: 5047.2 / 06327	04-Apr-18 (No. 217-02683)	Apr-19
Reference Probe EX3DV4	SN: 7349	30-Dec-17 (No. EX3-7349_Dec17)	Dec-18
DAE4	SN: 601	26-Oct-17 (No. DAE4-601_Oct17)	Oct-18

Secondary Standards	ID #	Check Date (in house)	Scheduled Check
Power meter EPM-442A	SN: GB37480704	07-Oct-15 (in house check Oct-16)	In house check: Oct-18
Power sensor HP 8481A	SN: US37292783	07-Oct-15 (in house check Oct-16)	In house check: Oct-18
Power sensor HP 8481A	SN: MY41092317	07-Oct-15 (in house check Oct-16)	In house check: Oct-18
RF generator R&S SMT-06	SN: 100972	15-Jun-15 (in house check Oct-16)	In house check: Oct-18
Network Analyzer Agilent E8358A	SN: US41080477	31-Mar-14 (in house check Oct-17)	In house check: Oct-18

Calibrated by: **Michael Weber** Name: Michael Weber Function: Laboratory Technician

Signature:

Approved by: **Katja Pokovic** Name: Katja Pokovic Function: Technical Manager

Signature:

Issued: August 24, 2018

This calibration certificate shall not be reproduced except in full without written approval of the laboratory.



Accredited by the Swiss Accreditation Service (SAS)

The Swiss Accreditation Service is one of the signatories to the EA
Multilateral Agreement for the recognition of calibration certificates

Accreditation No.: **SCS 0108**

Glossary:

TSL	tissue simulating liquid
ConvF	sensitivity in TSL / NORM x,y,z
N/A	not applicable or not measured

Calibration is Performed According to the Following Standards:

- IEEE Std 1528-2013, "IEEE Recommended Practice for Determining the Peak Spatial-Averaged Specific Absorption Rate (SAR) in the Human Head from Wireless Communications Devices: Measurement Techniques", June 2013
- IEC 62209-1, "Measurement procedure for the assessment of Specific Absorption Rate (SAR) from hand-held and body-mounted devices used next to the ear (frequency range of 300 MHz to 6 GHz)", July 2016
- IEC 62209-2, "Procedure to determine the Specific Absorption Rate (SAR) for wireless communication devices used in close proximity to the human body (frequency range of 30 MHz to 6 GHz)", March 2010
- KDB 865664, "SAR Measurement Requirements for 100 MHz to 6 GHz"

Additional Documentation:

- DASY4/5 System Handbook

Methods Applied and Interpretation of Parameters:

- Measurement Conditions:** Further details are available from the Validation Report at the end of the certificate. All figures stated in the certificate are valid at the frequency indicated.
- Antenna Parameters with TSL:** The dipole is mounted with the spacer to position its feed point exactly below the center marking of the flat phantom section, with the arms oriented parallel to the body axis.
- Feed Point Impedance and Return Loss:** These parameters are measured with the dipole positioned under the liquid filled phantom. The impedance stated is transformed from the measurement at the SMA connector to the feed point. The Return Loss ensures low reflected power. No uncertainty required.
- Electrical Delay:** One-way delay between the SMA connector and the antenna feed point. No uncertainty required.
- SAR measured:** SAR measured at the stated antenna input power.
- SAR normalized:** SAR as measured, normalized to an input power of 1 W at the antenna connector.
- SAR for nominal TSL parameters:** The measured TSL parameters are used to calculate the nominal SAR result.

The reported uncertainty of measurement is stated as the standard uncertainty of measurement multiplied by the coverage factor $k=2$, which for a normal distribution corresponds to a coverage probability of approximately 95%.

Measurement Conditions

DASY system configuration, as far as not given on page 1.

DASY Version	DASY5	V52.10.1
Extrapolation	Advanced Extrapolation	
Phantom	Modular Flat Phantom	
Distance Dipole Center - TSL	15 mm	with Spacer
Zoom Scan Resolution	dx, dy, dz = 5 mm	
Frequency	750 MHz \pm 1 MHz	

Head TSL parameters

The following parameters and calculations were applied.

	Temperature	Permittivity	Conductivity
Nominal Head TSL parameters	22.0 °C	41.9	0.89 mho/m
Measured Head TSL parameters	(22.0 \pm 0.2) °C	40.9 \pm 6 %	0.89 mho/m \pm 6 %
Head TSL temperature change during test	< 0.5 °C	----	----

SAR result with Head TSL

SAR averaged over 1 cm³ (1 g) of Head TSL	Condition	
SAR measured	250 mW input power	2.05 W/kg
SAR for nominal Head TSL parameters	normalized to 1W	8.15 W/kg \pm 17.0 % (k=2)

SAR averaged over 10 cm³ (10 g) of Head TSL	condition	
SAR measured	250 mW input power	1.33 W/kg
SAR for nominal Head TSL parameters	normalized to 1W	5.30 W/kg \pm 16.5 % (k=2)

Body TSL parameters

The following parameters and calculations were applied.

	Temperature	Permittivity	Conductivity
Nominal Body TSL parameters	22.0 °C	55.5	0.96 mho/m
Measured Body TSL parameters	(22.0 \pm 0.2) °C	55.0 \pm 6 %	0.96 mho/m \pm 6 %
Body TSL temperature change during test	< 0.5 °C	----	----

SAR result with Body TSL

SAR averaged over 1 cm³ (1 g) of Body TSL	Condition	
SAR measured	250 mW input power	2.16 W/kg
SAR for nominal Body TSL parameters	normalized to 1W	8.62 W/kg \pm 17.0 % (k=2)

SAR averaged over 10 cm³ (10 g) of Body TSL	condition	
SAR measured	250 mW input power	1.43 W/kg
SAR for nominal Body TSL parameters	normalized to 1W	5.71 W/kg \pm 16.5 % (k=2)

Appendix (Additional assessments outside the scope of SCS 0108)

Antenna Parameters with Head TSL

Impedance, transformed to feed point	53.9 Ω + 0.1 j Ω
Return Loss	- 28.6 dB

Antenna Parameters with Body TSL

Impedance, transformed to feed point	48.6 Ω - 3.1 j Ω
Return Loss	- 29.2 dB

General Antenna Parameters and Design

Electrical Delay (one direction)	1.035 ns
----------------------------------	----------

After long term use with 100W radiated power, only a slight warming of the dipole near the feedpoint can be measured.

The dipole is made of standard semirigid coaxial cable. The center conductor of the feeding line is directly connected to the second arm of the dipole. The antenna is therefore short-circuited for DC-signals. On some of the dipoles, small end caps are added to the dipole arms in order to improve matching when loaded according to the position as explained in the "Measurement Conditions" paragraph. The SAR data are not affected by this change. The overall dipole length is still according to the Standard.

No excessive force must be applied to the dipole arms, because they might bend or the soldered connections near the feedpoint may be damaged.

Additional EUT Data

Manufactured by	SPEAG
Manufactured on	March 22, 2010

DASY5 Validation Report for Head TSL

Date: 22.08.2018

Test Laboratory: SPEAG, Zurich, Switzerland

DUT: Dipole 750 MHz; Type: D750V3; Serial: D750V3 - SN:1013

Communication System: UID 0 - CW; Frequency: 750 MHz

Medium parameters used: $f = 750$ MHz; $\sigma = 0.89$ S/m; $\epsilon_r = 40.9$; $\rho = 1000$ kg/m³

Phantom section: Flat Section

Measurement Standard: DASY5 (IEEE/IEC/ANSI C63.19-2011)

DASY52 Configuration:

- Probe: EX3DV4 - SN7349; ConvF(10.22, 10.22, 10.22) @ 750 MHz; Calibrated: 30.12.2017
- Sensor-Surface: 1.4mm (Mechanical Surface Detection)
- Electronics: DAE4 Sn601; Calibrated: 26.10.2017
- Phantom: Flat Phantom 4.9 (front); Type: QD 00L P49 AA; Serial: 1001
- DASY52 52.10.1(1476); SEMCAD X 14.6.11(7439)

Dipole Calibration for Head Tissue/Pin=250 mW, d=15mm/Zoom Scan (7x7x7)/Cube 0:

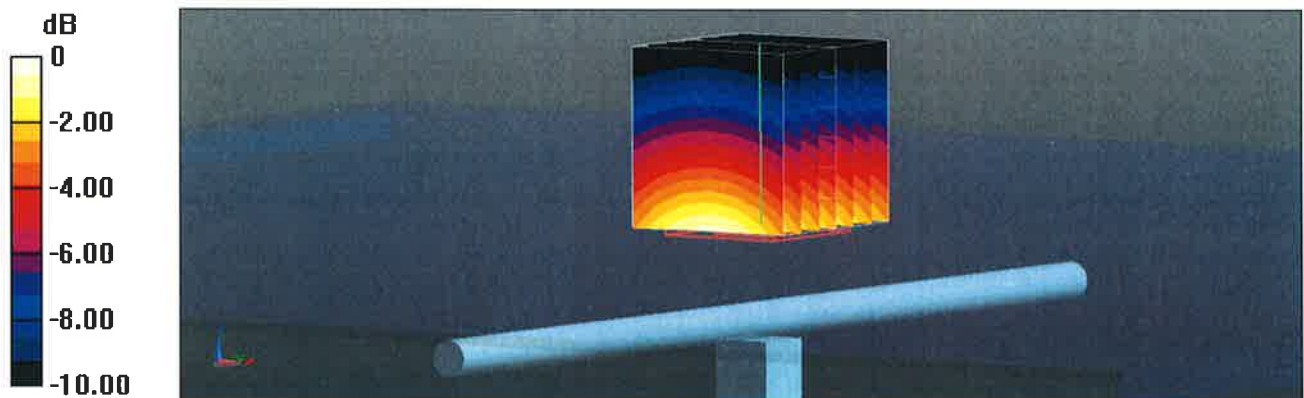
Measurement grid: dx=5mm, dy=5mm, dz=5mm

Reference Value = 59.09 V/m; Power Drift = -0.05 dB

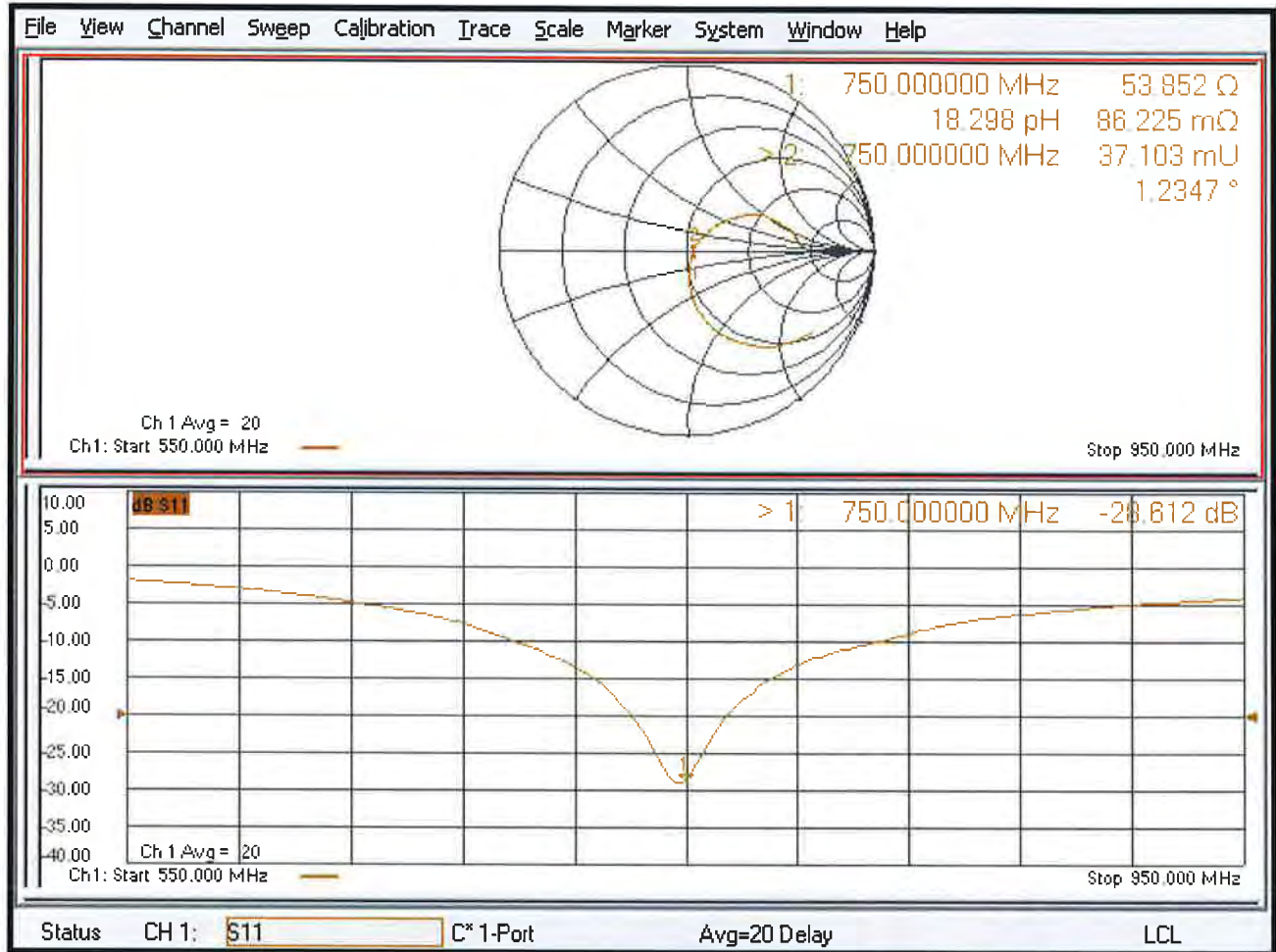
Peak SAR (extrapolated) = 3.09 W/kg

SAR(1 g) = 2.05 W/kg; SAR(10 g) = 1.33 W/kg

Maximum value of SAR (measured) = 2.75 W/kg



Impedance Measurement Plot for Head TSL



DASY5 Validation Report for Body TSL

Date: 23.08.2018

Test Laboratory: SPEAG, Zurich, Switzerland

DUT: Dipole 750 MHz; Type: D750V3; Serial: D750V3 - SN:1013

Communication System: UID 0 - CW; Frequency: 750 MHz

Medium parameters used: $f = 750$ MHz; $\sigma = 0.96$ S/m; $\epsilon_r = 55$; $\rho = 1000$ kg/m³

Phantom section: Flat Section

Measurement Standard: DASY5 (IEEE/IEC/ANSI C63.19-2011)

DASY52 Configuration:

- Probe: EX3DV4 - SN7349; ConvF(10.19, 10.19, 10.19) @ 750 MHz; Calibrated: 30.12.2017
- Sensor-Surface: 1.4mm (Mechanical Surface Detection)
- Electronics: DAE4 Sn601; Calibrated: 26.10.2017
- Phantom: Flat Phantom 4.9 (Back); Type: QD 00R P49 AA; Serial: 1005
- DASY52 52.10.1(1476); SEMCAD X 14.6.11(7439)

Dipole Calibration for Body Tissue/Pin=250 mW, d=15mm/Zoom Scan (7x7x7)/Cube 0:

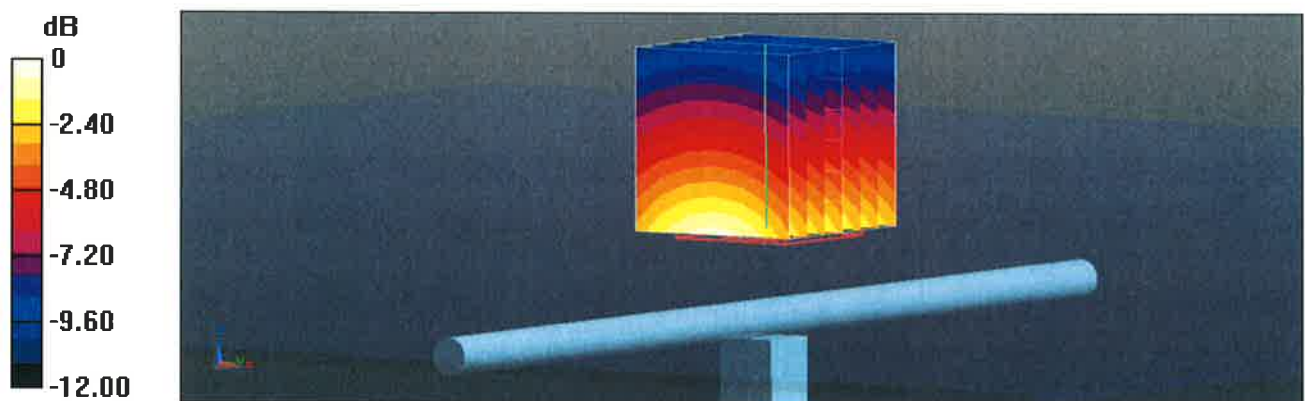
Measurement grid: dx=5mm, dy=5mm, dz=5mm

Reference Value = 57.93 V/m; Power Drift = -0.04 dB

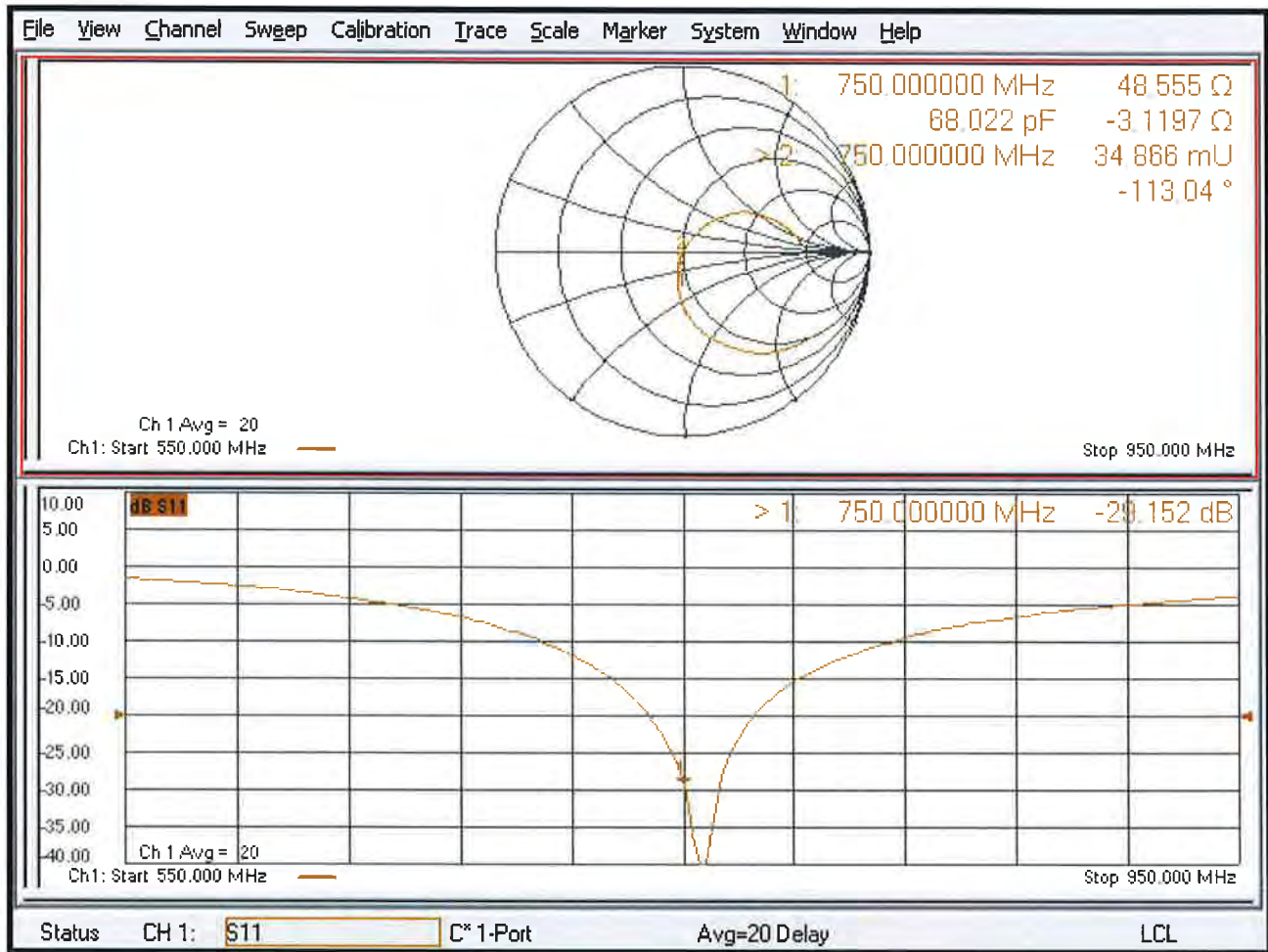
Peak SAR (extrapolated) = 3.18 W/kg

SAR(1 g) = 2.16 W/kg; SAR(10 g) = 1.43 W/kg

Maximum value of SAR (measured) = 2.85 W/kg



Impedance Measurement Plot for Body TSL





Accredited by the Swiss Accreditation Service (SAS)
The Swiss Accreditation Service is one of the signatories to the EA
Multilateral Agreement for the recognition of calibration certificates

Accreditation No.: **SCS 0108**

Client **B.V.ADT (Auden)**

Certificate No: **D835V2-4d121_Aug18**

CALIBRATION CERTIFICATE

Object **D835V2 - SN:4d121**

Calibration procedure(s) **QA CAL-05.v10
Calibration procedure for dipole validation kits above 700 MHz**

Calibration date: **August 23, 2018**

This calibration certificate documents the traceability to national standards, which realize the physical units of measurements (SI).
The measurements and the uncertainties with confidence probability are given on the following pages and are part of the certificate.

All calibrations have been conducted in the closed laboratory facility: environment temperature (22 ± 3)°C and humidity < 70%.

Calibration Equipment used (M&TE critical for calibration)

Primary Standards	ID #	Cal Date (Certificate No.)	Scheduled Calibration
Power meter NRP	SN: 104778	04-Apr-18 (No. 217-02672/02673)	Apr-19
Power sensor NRP-Z91	SN: 103244	04-Apr-18 (No. 217-02672)	Apr-19
Power sensor NRP-Z91	SN: 103245	04-Apr-18 (No. 217-02673)	Apr-19
Reference 20 dB Attenuator	SN: 5058 (20k)	04-Apr-18 (No. 217-02682)	Apr-19
Type-N mismatch combination	SN: 5047.2 / 06327	04-Apr-18 (No. 217-02683)	Apr-19
Reference Probe EX3DV4	SN: 7349	30-Dec-17 (No. EX3-7349_Dec17)	Dec-18
DAE4	SN: 601	26-Oct-17 (No. DAE4-601_Oct17)	Oct-18

Secondary Standards	ID #	Check Date (in house)	Scheduled Check
Power meter EPM-442A	SN: GB37480704	07-Oct-15 (in house check Oct-16)	In house check: Oct-18
Power sensor HP 8481A	SN: US37292783	07-Oct-15 (in house check Oct-16)	In house check: Oct-18
Power sensor HP 8481A	SN: MY41092317	07-Oct-15 (in house check Oct-16)	In house check: Oct-18
RF generator R&S SMT-06	SN: 100972	15-Jun-15 (in house check Oct-16)	In house check: Oct-18
Network Analyzer Agilent E8358A	SN: US41080477	31-Mar-14 (in house check Oct-17)	In house check: Oct-18

Calibrated by: **Michael Weber** Name: Michael Weber Function: Laboratory Technician

Signature:

Approved by: **Katja Pokovic** Name: Katja Pokovic Function: Technical Manager

Signature:

Issued: August 24, 2018

This calibration certificate shall not be reproduced except in full without written approval of the laboratory.



Accredited by the Swiss Accreditation Service (SAS)

Accreditation No.: **SCS 0108**

The Swiss Accreditation Service is one of the signatories to the EA
Multilateral Agreement for the recognition of calibration certificates

Glossary:

TSL	tissue simulating liquid
ConvF	sensitivity in TSL / NORM x,y,z
N/A	not applicable or not measured

Calibration is Performed According to the Following Standards:

- IEEE Std 1528-2013, "IEEE Recommended Practice for Determining the Peak Spatial-Averaged Specific Absorption Rate (SAR) in the Human Head from Wireless Communications Devices: Measurement Techniques", June 2013
- IEC 62209-1, "Measurement procedure for the assessment of Specific Absorption Rate (SAR) from hand-held and body-mounted devices used next to the ear (frequency range of 300 MHz to 6 GHz)", July 2016
- IEC 62209-2, "Procedure to determine the Specific Absorption Rate (SAR) for wireless communication devices used in close proximity to the human body (frequency range of 30 MHz to 6 GHz)", March 2010
- KDB 865664, "SAR Measurement Requirements for 100 MHz to 6 GHz"

Additional Documentation:

- DASY4/5 System Handbook

Methods Applied and Interpretation of Parameters:

- Measurement Conditions:** Further details are available from the Validation Report at the end of the certificate. All figures stated in the certificate are valid at the frequency indicated.
- Antenna Parameters with TSL:** The dipole is mounted with the spacer to position its feed point exactly below the center marking of the flat phantom section, with the arms oriented parallel to the body axis.
- Feed Point Impedance and Return Loss:** These parameters are measured with the dipole positioned under the liquid filled phantom. The impedance stated is transformed from the measurement at the SMA connector to the feed point. The Return Loss ensures low reflected power. No uncertainty required.
- Electrical Delay:** One-way delay between the SMA connector and the antenna feed point. No uncertainty required.
- SAR measured:** SAR measured at the stated antenna input power.
- SAR normalized:** SAR as measured, normalized to an input power of 1 W at the antenna connector.
- SAR for nominal TSL parameters:** The measured TSL parameters are used to calculate the nominal SAR result.

The reported uncertainty of measurement is stated as the standard uncertainty of measurement multiplied by the coverage factor $k=2$, which for a normal distribution corresponds to a coverage probability of approximately 95%.

Measurement Conditions

DASY system configuration, as far as not given on page 1.

DASY Version	DASY5	V52.10.1
Extrapolation	Advanced Extrapolation	
Phantom	Modular Flat Phantom	
Distance Dipole Center - TSL	15 mm	with Spacer
Zoom Scan Resolution	dx, dy, dz = 5 mm	
Frequency	835 MHz \pm 1 MHz	

Head TSL parameters

The following parameters and calculations were applied.

	Temperature	Permittivity	Conductivity
Nominal Head TSL parameters	22.0 °C	41.5	0.90 mho/m
Measured Head TSL parameters	(22.0 \pm 0.2) °C	40.7 \pm 6 %	0.92 mho/m \pm 6 %
Head TSL temperature change during test	< 0.5 °C	----	----

SAR result with Head TSL

SAR averaged over 1 cm³ (1 g) of Head TSL	Condition	
SAR measured	250 mW input power	2.41 W/kg
SAR for nominal Head TSL parameters	normalized to 1W	9.44 W/kg \pm 17.0 % (k=2)

SAR averaged over 10 cm³ (10 g) of Head TSL	condition	
SAR measured	250 mW input power	1.55 W/kg
SAR for nominal Head TSL parameters	normalized to 1W	6.10 W/kg \pm 16.5 % (k=2)

Body TSL parameters

The following parameters and calculations were applied.

	Temperature	Permittivity	Conductivity
Nominal Body TSL parameters	22.0 °C	55.2	0.97 mho/m
Measured Body TSL parameters	(22.0 \pm 0.2) °C	54.9 \pm 6 %	0.99 mho/m \pm 6 %
Body TSL temperature change during test	< 0.5 °C	----	----

SAR result with Body TSL

SAR averaged over 1 cm³ (1 g) of Body TSL	Condition	
SAR measured	250 mW input power	2.45 W/kg
SAR for nominal Body TSL parameters	normalized to 1W	9.64 W/kg \pm 17.0 % (k=2)

SAR averaged over 10 cm³ (10 g) of Body TSL	condition	
SAR measured	250 mW input power	1.60 W/kg
SAR for nominal Body TSL parameters	normalized to 1W	6.32 W/kg \pm 16.5 % (k=2)

Appendix (Additional assessments outside the scope of SCS 0108)

Antenna Parameters with Head TSL

Impedance, transformed to feed point	51.3 Ω - 2.3 j Ω
Return Loss	- 31.8 dB

Antenna Parameters with Body TSL

Impedance, transformed to feed point	47.2 Ω - 5.4 j Ω
Return Loss	- 24.1 dB

General Antenna Parameters and Design

Electrical Delay (one direction)	1.395 ns
----------------------------------	----------

After long term use with 100W radiated power, only a slight warming of the dipole near the feedpoint can be measured.

The dipole is made of standard semirigid coaxial cable. The center conductor of the feeding line is directly connected to the second arm of the dipole. The antenna is therefore short-circuited for DC-signals. On some of the dipoles, small end caps are added to the dipole arms in order to improve matching when loaded according to the position as explained in the "Measurement Conditions" paragraph. The SAR data are not affected by this change. The overall dipole length is still according to the Standard.

No excessive force must be applied to the dipole arms, because they might bend or the soldered connections near the feedpoint may be damaged.

Additional EUT Data

Manufactured by	SPEAG
Manufactured on	June 29, 2010

DASY5 Validation Report for Head TSL

Date: 22.08.2018

Test Laboratory: SPEAG, Zurich, Switzerland

DUT: Dipole 835 MHz; Type: D835V2; Serial: D835V2 - SN:4d121

Communication System: UID 0 - CW; Frequency: 835 MHz

Medium parameters used: $f = 835$ MHz; $\sigma = 0.92$ S/m; $\epsilon_r = 40.7$; $\rho = 1000$ kg/m³

Phantom section: Flat Section

Measurement Standard: DASY5 (IEEE/IEC/ANSI C63.19-2011)

DASY52 Configuration:

- Probe: EX3DV4 - SN7349; ConvF(9.9, 9.9, 9.9) @ 835 MHz; Calibrated: 30.12.2017
- Sensor-Surface: 1.4mm (Mechanical Surface Detection)
- Electronics: DAE4 Sn601; Calibrated: 26.10.2017
- Phantom: Flat Phantom 4.9 (front); Type: QD 00L P49 AA; Serial: 1001
- DASY52 52.10.1(1476); SEMCAD X 14.6.11(7439)

Dipole Calibration for Head Tissue/Pin=250 mW, d=15mm/Zoom Scan (7x7x7)/Cube 0:

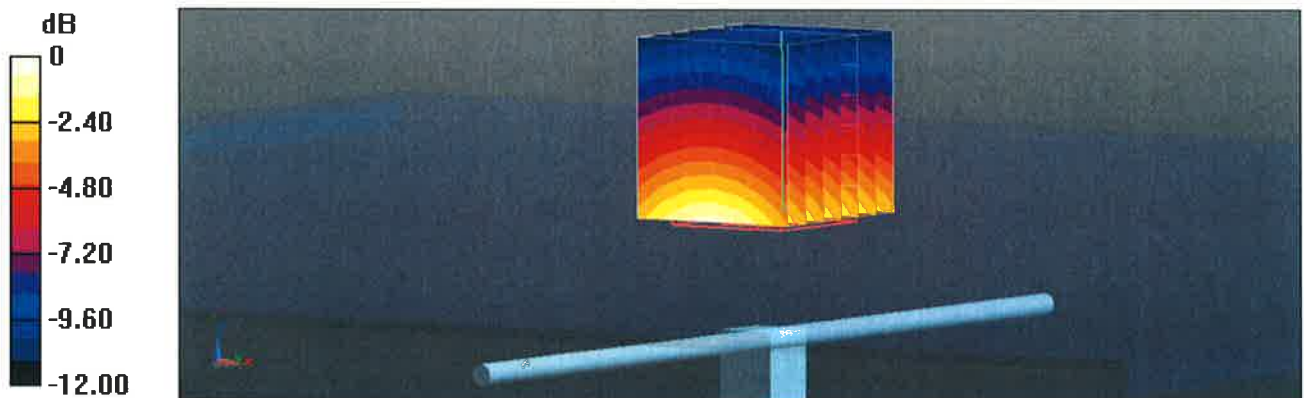
Measurement grid: dx=5mm, dy=5mm, dz=5mm

Reference Value = 63.11 V/m; Power Drift = -0.08 dB

Peak SAR (extrapolated) = 3.70 W/kg

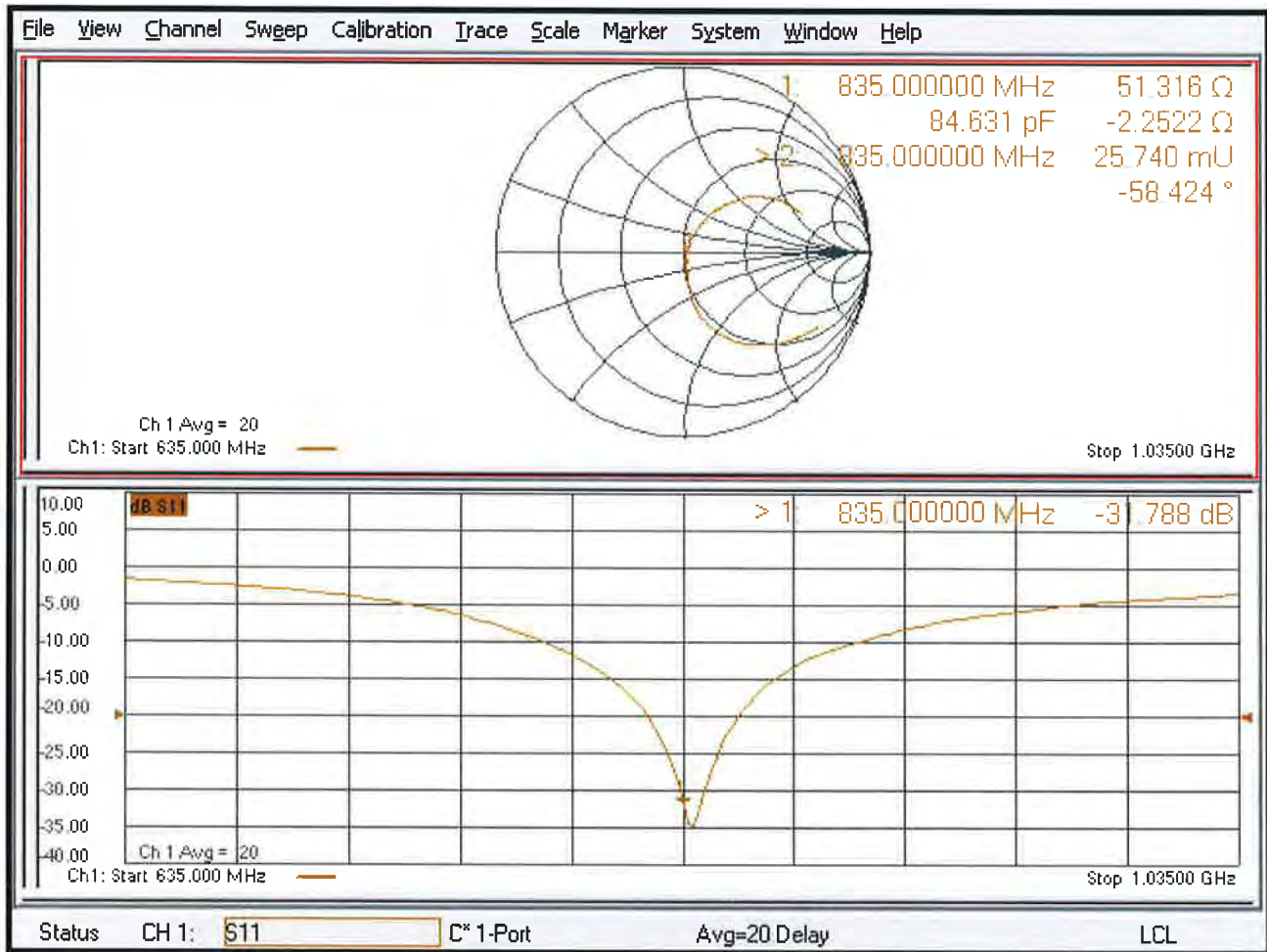
SAR(1 g) = 2.41 W/kg; SAR(10 g) = 1.55 W/kg

Maximum value of SAR (measured) = 3.26 W/kg



0 dB = 3.26 W/kg = 5.13 dBW/kg

Impedance Measurement Plot for Head TSL



DASY5 Validation Report for Body TSL

Date: 23.08.2018

Test Laboratory: SPEAG, Zurich, Switzerland

DUT: Dipole 835 MHz; Type: D835V2; Serial: D835V2 - SN:4d121

Communication System: UID 0 - CW; Frequency: 835 MHz

Medium parameters used: $f = 835$ MHz; $\sigma = 0.99$ S/m; $\epsilon_r = 54.9$; $\rho = 1000$ kg/m³

Phantom section: Flat Section

Measurement Standard: DASY5 (IEEE/IEC/ANSI C63.19-2011)

DASY52 Configuration:

- Probe: EX3DV4 - SN7349; ConvF(10.05, 10.05, 10.05) @ 835 MHz; Calibrated: 30.12.2017
- Sensor-Surface: 1.4mm (Mechanical Surface Detection)
- Electronics: DAE4 Sn601; Calibrated: 26.10.2017
- Phantom: Flat Phantom 4.9 (Back); Type: QD 00R P49 AA; Serial: 1005
- DASY52 52.10.1(1476); SEMCAD X 14.6.11(7439)

Dipole Calibration for Body Tissue/Pin=250 mW, d=15mm/Zoom Scan (7x7x7)/Cube 0:

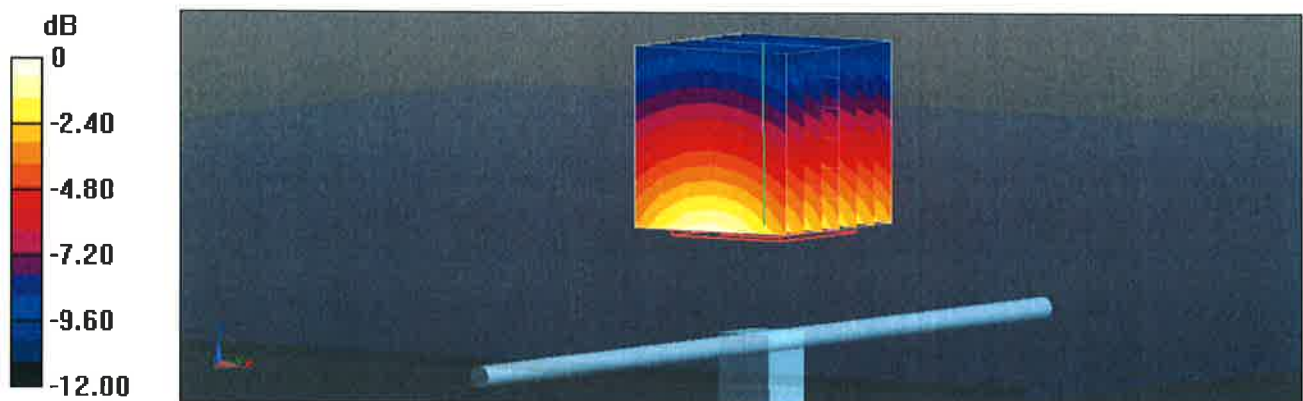
Measurement grid: dx=5mm, dy=5mm, dz=5mm

Reference Value = 61.20 V/m; Power Drift = -0.01 dB

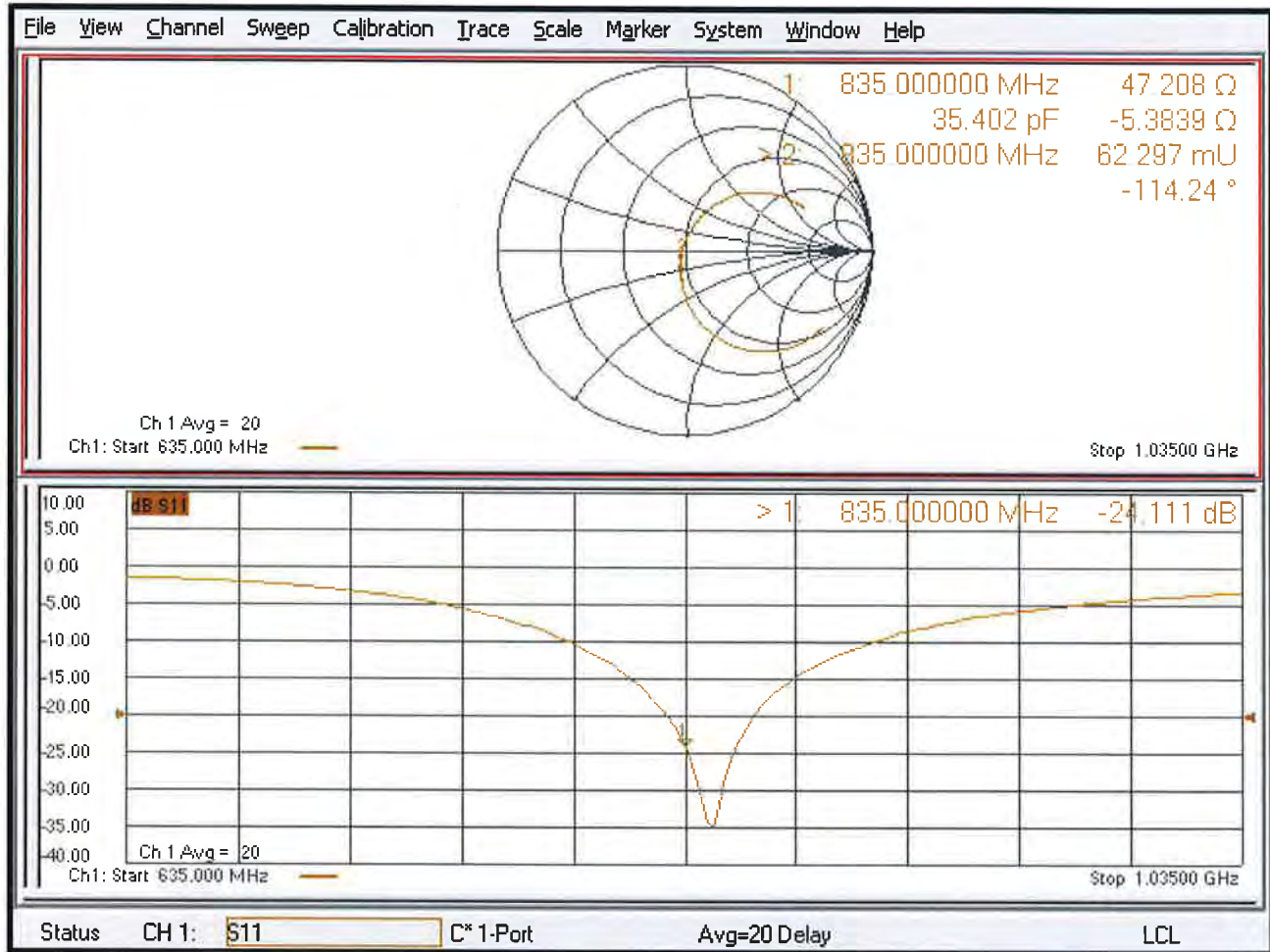
Peak SAR (extrapolated) = 3.64 W/kg

SAR(1 g) = 2.45 W/kg; SAR(10 g) = 1.6 W/kg

Maximum value of SAR (measured) = 3.26 W/kg



Impedance Measurement Plot for Body TSL





Accredited by the Swiss Accreditation Service (SAS)
The Swiss Accreditation Service is one of the signatories to the EA
Multilateral Agreement for the recognition of calibration certificates

Accreditation No.: **SCS 0108**

Client **B.V. ADT (Auden)**

Certificate No: **D1750V2-1055_Aug18**

CALIBRATION CERTIFICATE

Object **D1750V2 - SN:1055**

Calibration procedure(s) **QA CAL-05.v10
Calibration procedure for dipole validation kits above 700 MHz**

Calibration date: **August 27, 2018**

This calibration certificate documents the traceability to national standards, which realize the physical units of measurements (SI).
The measurements and the uncertainties with confidence probability are given on the following pages and are part of the certificate.

All calibrations have been conducted in the closed laboratory facility: environment temperature (22 ± 3)°C and humidity < 70%.

Calibration Equipment used (M&TE critical for calibration)

Primary Standards	ID #	Cal Date (Certificate No.)	Scheduled Calibration
Power meter NRP	SN: 104778	04-Apr-18 (No. 217-02672/02673)	Apr-19
Power sensor NRP-Z91	SN: 103244	04-Apr-18 (No. 217-02672)	Apr-19
Power sensor NRP-Z91	SN: 103245	04-Apr-18 (No. 217-02673)	Apr-19
Reference 20 dB Attenuator	SN: 5058 (20k)	04-Apr-18 (No. 217-02682)	Apr-19
Type-N mismatch combination	SN: 5047.2 / 06327	04-Apr-18 (No. 217-02683)	Apr-19
Reference Probe EX3DV4	SN: 7349	30-Dec-17 (No. EX3-7349_Dec17)	Dec-18
DAE4	SN: 601	26-Oct-17 (No. DAE4-601_Oct17)	Oct-18

Secondary Standards	ID #	Check Date (in house)	Scheduled Check
Power meter EPM-442A	SN: GB37480704	07-Oct-15 (in house check Oct-16)	In house check: Oct-18
Power sensor HP 8481A	SN: US37292783	07-Oct-15 (in house check Oct-16)	In house check: Oct-18
Power sensor HP 8481A	SN: MY41092317	07-Oct-15 (in house check Oct-16)	In house check: Oct-18
RF generator R&S SMT-06	SN: 100972	15-Jun-15 (in house check Oct-16)	In house check: Oct-18
Network Analyzer Agilent E8358A	SN: US41080477	31-Mar-14 (in house check Oct-17)	In house check: Oct-18

Calibrated by: **Manu Seitz** **Manu Seitz** **Manu Seitz**
Name Function Signature
Laboratory Technician

Approved by: **Katja Pokovic** **Katja Pokovic**
Technical Manager

Issued: August 28, 2018

This calibration certificate shall not be reproduced except in full without written approval of the laboratory.



Accredited by the Swiss Accreditation Service (SAS)

The Swiss Accreditation Service is one of the signatories to the EA Multilateral Agreement for the recognition of calibration certificates

Glossary:

TSL	tissue simulating liquid
ConvF	sensitivity in TSL / NORM x,y,z
N/A	not applicable or not measured

Calibration is Performed According to the Following Standards:

- IEEE Std 1528-2013, "IEEE Recommended Practice for Determining the Peak Spatial-Averaged Specific Absorption Rate (SAR) in the Human Head from Wireless Communications Devices: Measurement Techniques", June 2013
- IEC 62209-1, "Measurement procedure for the assessment of Specific Absorption Rate (SAR) from hand-held and body-mounted devices used next to the ear (frequency range of 300 MHz to 6 GHz)", July 2016
- IEC 62209-2, "Procedure to determine the Specific Absorption Rate (SAR) for wireless communication devices used in close proximity to the human body (frequency range of 30 MHz to 6 GHz)", March 2010
- KDB 865664, "SAR Measurement Requirements for 100 MHz to 6 GHz"

Additional Documentation:

- DASY4/5 System Handbook

Methods Applied and Interpretation of Parameters:

- Measurement Conditions:** Further details are available from the Validation Report at the end of the certificate. All figures stated in the certificate are valid at the frequency indicated.
- Antenna Parameters with TSL:** The dipole is mounted with the spacer to position its feed point exactly below the center marking of the flat phantom section, with the arms oriented parallel to the body axis.
- Feed Point Impedance and Return Loss:** These parameters are measured with the dipole positioned under the liquid filled phantom. The impedance stated is transformed from the measurement at the SMA connector to the feed point. The Return Loss ensures low reflected power. No uncertainty required.
- Electrical Delay:** One-way delay between the SMA connector and the antenna feed point. No uncertainty required.
- SAR measured:** SAR measured at the stated antenna input power.
- SAR normalized:** SAR as measured, normalized to an input power of 1 W at the antenna connector.
- SAR for nominal TSL parameters:** The measured TSL parameters are used to calculate the nominal SAR result.

The reported uncertainty of measurement is stated as the standard uncertainty of measurement multiplied by the coverage factor $k=2$, which for a normal distribution corresponds to a coverage probability of approximately 95%.

Measurement Conditions

DASY system configuration, as far as not given on page 1.

DASY Version	DASY5	V52.10.1
Extrapolation	Advanced Extrapolation	
Phantom	Modular Flat Phantom	
Distance Dipole Center - TSL	10 mm	with Spacer
Zoom Scan Resolution	dx, dy, dz = 5 mm	
Frequency	1750 MHz \pm 1 MHz	

Head TSL parameters

The following parameters and calculations were applied.

	Temperature	Permittivity	Conductivity
Nominal Head TSL parameters	22.0 °C	40.1	1.37 mho/m
Measured Head TSL parameters	(22.0 \pm 0.2) °C	38.9 \pm 6 %	1.34 mho/m \pm 6 %
Head TSL temperature change during test	< 0.5 °C	----	----

SAR result with Head TSL

SAR averaged over 1 cm³ (1 g) of Head TSL	Condition	
SAR measured	250 mW input power	9.15 W/kg
SAR for nominal Head TSL parameters	normalized to 1W	36.9 W/kg \pm 17.0 % (k=2)

SAR averaged over 10 cm³ (10 g) of Head TSL	condition	
SAR measured	250 mW input power	4.81 W/kg
SAR for nominal Head TSL parameters	normalized to 1W	19.3 W/kg \pm 16.5 % (k=2)

Body TSL parameters

The following parameters and calculations were applied.

	Temperature	Permittivity	Conductivity
Nominal Body TSL parameters	22.0 °C	53.4	1.49 mho/m
Measured Body TSL parameters	(22.0 \pm 0.2) °C	53.4 \pm 6 %	1.47 mho/m \pm 6 %
Body TSL temperature change during test	< 0.5 °C	----	----

SAR result with Body TSL

SAR averaged over 1 cm³ (1 g) of Body TSL	Condition	
SAR measured	250 mW input power	9.15 W/kg
SAR for nominal Body TSL parameters	normalized to 1W	36.9 W/kg \pm 17.0 % (k=2)

SAR averaged over 10 cm³ (10 g) of Body TSL	condition	
SAR measured	250 mW input power	4.89 W/kg
SAR for nominal Body TSL parameters	normalized to 1W	19.7 W/kg \pm 16.5 % (k=2)

Appendix (Additional assessments outside the scope of SCS 0108)

Antenna Parameters with Head TSL

Impedance, transformed to feed point	52.6 Ω + 2.1 j Ω
Return Loss	- 29.9 dB

Antenna Parameters with Body TSL

Impedance, transformed to feed point	47.3 Ω + 0.5 j Ω
Return Loss	- 31.1 dB

General Antenna Parameters and Design

Electrical Delay (one direction)	1.223 ns
----------------------------------	----------

After long term use with 100W radiated power, only a slight warming of the dipole near the feedpoint can be measured.

The dipole is made of standard semirigid coaxial cable. The center conductor of the feeding line is directly connected to the second arm of the dipole. The antenna is therefore short-circuited for DC-signals. On some of the dipoles, small end caps are added to the dipole arms in order to improve matching when loaded according to the position as explained in the "Measurement Conditions" paragraph. The SAR data are not affected by this change. The overall dipole length is still according to the Standard.

No excessive force must be applied to the dipole arms, because they might bend or the soldered connections near the feedpoint may be damaged.

Additional EUT Data

Manufactured by	SPEAG
Manufactured on	February 19, 2010

DASY5 Validation Report for Head TSL

Date: 27.08.2018

Test Laboratory: SPEAG, Zurich, Switzerland

DUT: Dipole 1750 MHz; Type: D1750V2; Serial: D1750V2 - SN:1055

Communication System: UID 0 - CW; Frequency: 1750 MHz

Medium parameters used: $f = 1750$ MHz; $\sigma = 1.34$ S/m; $\epsilon_r = 38.9$; $\rho = 1000$ kg/m³

Phantom section: Flat Section

Measurement Standard: DASY5 (IEEE/IEC/ANSI C63.19-2011)

DASY52 Configuration:

- Probe: EX3DV4 - SN7349; ConvF(8.5, 8.5, 8.5) @ 1750 MHz; Calibrated: 30.12.2017
- Sensor-Surface: 1.4mm (Mechanical Surface Detection)
- Electronics: DAE4 Sn601; Calibrated: 26.10.2017
- Phantom: Flat Phantom 5.0 (front); Type: QD 000 P50 AA; Serial: 1001
- DASY52 52.10.1(1476); SEMCAD X 14.6.11(7439)

Dipole Calibration for Head Tissue/Pin=250 mW, d=10mm/Zoom Scan (7x7x7)/Cube 0:

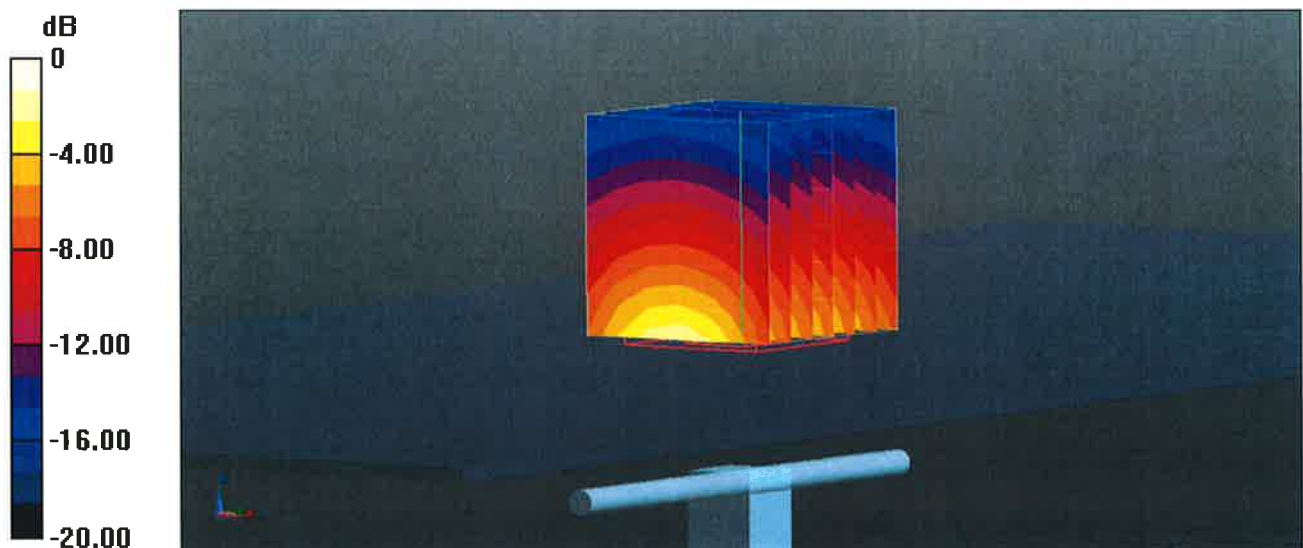
Measurement grid: dx=5mm, dy=5mm, dz=5mm

Reference Value = 107.6 V/m; Power Drift = -0.03 dB

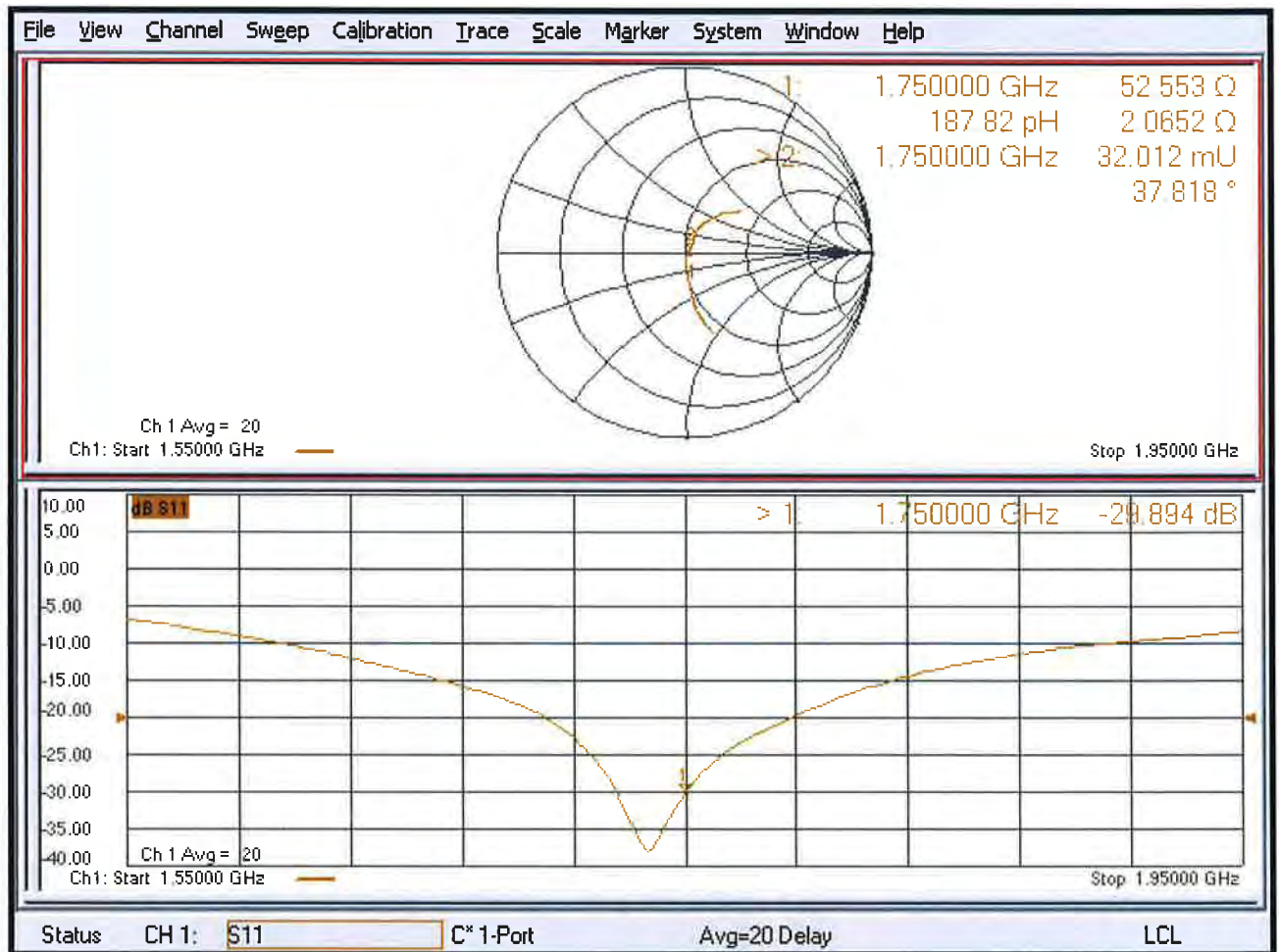
Peak SAR (extrapolated) = 16.9 W/kg

SAR(1 g) = 9.15 W/kg; SAR(10 g) = 4.81 W/kg

Maximum value of SAR (measured) = 14.2 W/kg



Impedance Measurement Plot for Head TSL



DASY5 Validation Report for Body TSL

Date: 27.08.2018

Test Laboratory: SPEAG, Zurich, Switzerland

DUT: Dipole 1750 MHz; Type: D1750V2; Serial: D1750V2 - SN:1055

Communication System: UID 0 - CW; Frequency: 1750 MHz

Medium parameters used: $f = 1750$ MHz; $\sigma = 1.47$ S/m; $\epsilon_r = 53.4$; $\rho = 1000$ kg/m³

Phantom section: Flat Section

Measurement Standard: DASY5 (IEEE/IEC/ANSI C63.19-2011)

DASY52 Configuration:

- Probe: EX3DV4 - SN7349; ConvF(8.35, 8.35, 8.35) @ 1750 MHz; Calibrated: 30.12.2017
- Sensor-Surface: 1.4mm (Mechanical Surface Detection)
- Electronics: DAE4 Sn601; Calibrated: 26.10.2017
- Phantom: Flat Phantom 5.0 (back); Type: QD 000 P50 AA; Serial: 1002
- DASY52 52.10.1(1476); SEMCAD X 14.6.11(7439)

Dipole Calibration for Body Tissue/Pin=250 mW, d=10mm/Zoom Scan (7x7x7)/Cube 0:

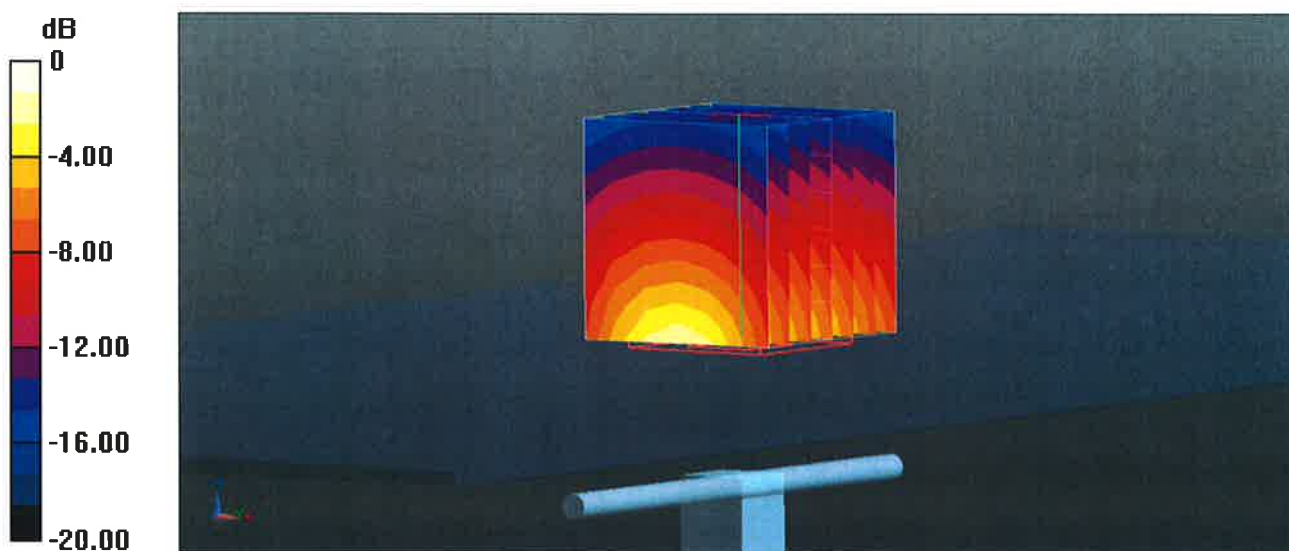
Measurement grid: dx=5mm, dy=5mm, dz=5mm

Reference Value = 102.2 V/m; Power Drift = -0.02 dB

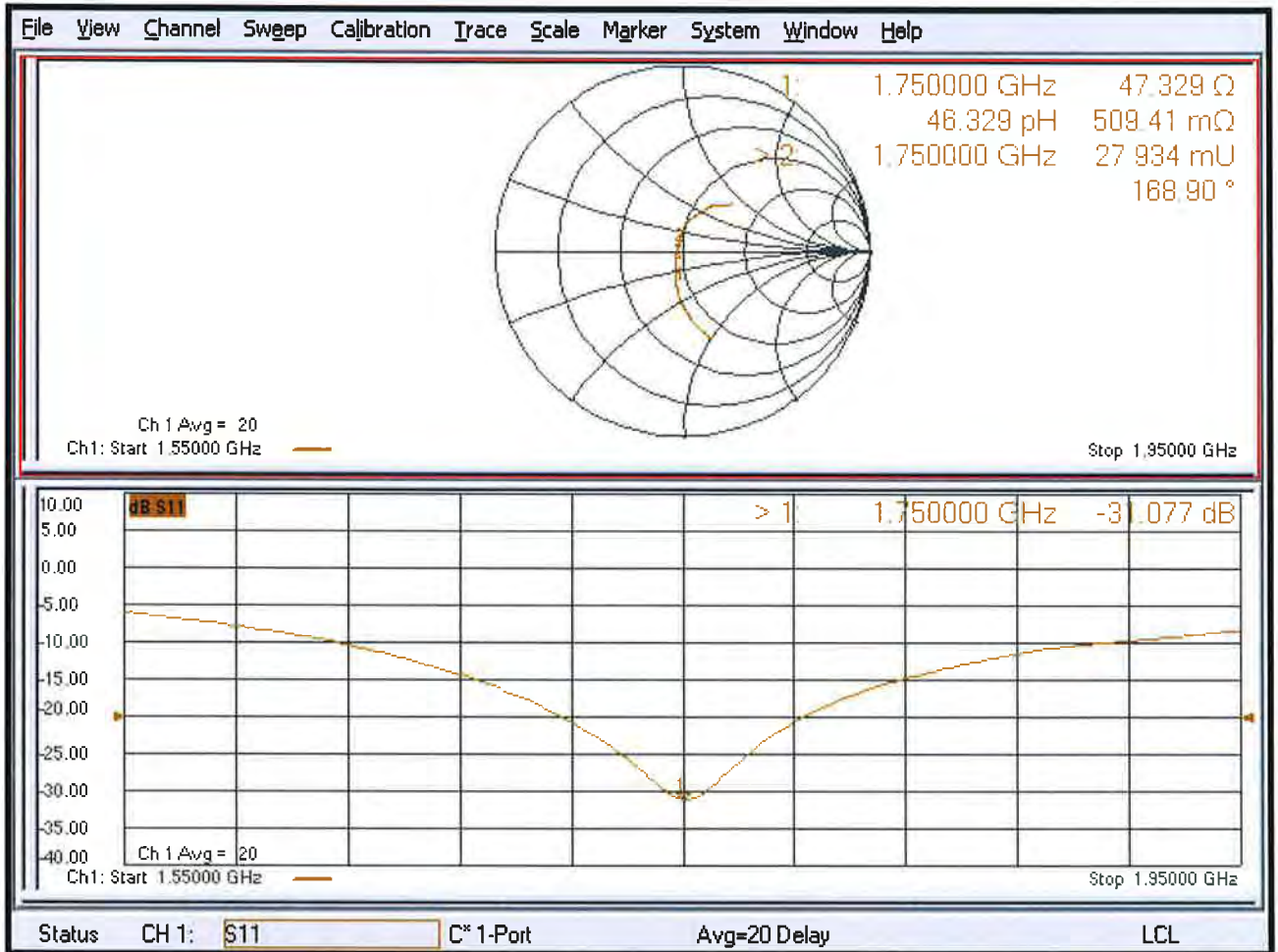
Peak SAR (extrapolated) = 16.1 W/kg

SAR(1 g) = 9.15 W/kg; SAR(10 g) = 4.89 W/kg

Maximum value of SAR (measured) = 13.9 W/kg



Impedance Measurement Plot for Body TSL





Accredited by the Swiss Accreditation Service (SAS)
The Swiss Accreditation Service is one of the signatories to the EA
Multilateral Agreement for the recognition of calibration certificates

Accreditation No.: **SCS 0108**

Client **Auden**

Certificate No: **D1900V2-5d018_Jun18**

CALIBRATION CERTIFICATE

Object **D1900V2 - SN:5d018**

Calibration procedure(s) **QA CAL-05.v10
Calibration procedure for dipole validation kits above 700 MHz**

Calibration date: **June 21, 2018**

This calibration certificate documents the traceability to national standards, which realize the physical units of measurements (SI).
The measurements and the uncertainties with confidence probability are given on the following pages and are part of the certificate.

All calibrations have been conducted in the closed laboratory facility: environment temperature (22 ± 3)°C and humidity < 70%.

Calibration Equipment used (M&TE critical for calibration)

Primary Standards	ID #	Cal Date (Certificate No.)	Scheduled Calibration
Power meter NRP	SN: 104778	04-Apr-18 (No. 217-02672/02673)	Apr-19
Power sensor NRP-Z91	SN: 103244	04-Apr-18 (No. 217-02672)	Apr-19
Power sensor NRP-Z91	SN: 103245	04-Apr-18 (No. 217-02673)	Apr-19
Reference 20 dB Attenuator	SN: 5058 (20k)	04-Apr-18 (No. 217-02682)	Apr-19
Type-N mismatch combination	SN: 5047.2 / 06327	04-Apr-18 (No. 217-02683)	Apr-19
Reference Probe EX3DV4	SN: 7349	30-Dec-17 (No. EX3-7349_Dec17)	Dec-18
DAE4	SN: 601	26-Oct-17 (No. DAE4-601_Oct17)	Oct-18
Secondary Standards	ID #	Check Date (in house)	Scheduled Check
Power meter EPM-442A	SN: GB37480704	07-Oct-15 (in house check Oct-16)	In house check: Oct-18
Power sensor HP 8481A	SN: US37292783	07-Oct-15 (in house check Oct-16)	In house check: Oct-18
Power sensor HP 8481A	SN: MY41092317	07-Oct-15 (in house check Oct-16)	In house check: Oct-18
RF generator R&S SMT-06	SN: 100972	15-Jun-15 (in house check Oct-16)	In house check: Oct-18
Network Analyzer HP 8753E	SN: US37390585	18-Oct-01 (in house check Oct-17)	In house check: Oct-18

Calibrated by:	Jeton Kastrati	Function Laboratory Technician	Signature
Approved by:	Katja Pokovic	Technical Manager	

Issued: June 21, 2018

This calibration certificate shall not be reproduced except in full without written approval of the laboratory.



Accredited by the Swiss Accreditation Service (SAS)

The Swiss Accreditation Service is one of the signatories to the EA
Multilateral Agreement for the recognition of calibration certificates

Accreditation No.: **SCS 0108**

Glossary:

TSL	tissue simulating liquid
ConvF	sensitivity in TSL / NORM x,y,z
N/A	not applicable or not measured

Calibration is Performed According to the Following Standards:

- IEEE Std 1528-2013, "IEEE Recommended Practice for Determining the Peak Spatial-Averaged Specific Absorption Rate (SAR) in the Human Head from Wireless Communications Devices: Measurement Techniques", June 2013
- IEC 62209-1, "Measurement procedure for the assessment of Specific Absorption Rate (SAR) from hand-held and body-mounted devices used next to the ear (frequency range of 300 MHz to 6 GHz)", July 2016
- IEC 62209-2, "Procedure to determine the Specific Absorption Rate (SAR) for wireless communication devices used in close proximity to the human body (frequency range of 30 MHz to 6 GHz)", March 2010
- KDB 865664, "SAR Measurement Requirements for 100 MHz to 6 GHz"

Additional Documentation:

- DASY4/5 System Handbook

Methods Applied and Interpretation of Parameters:

- Measurement Conditions:* Further details are available from the Validation Report at the end of the certificate. All figures stated in the certificate are valid at the frequency indicated.
- Antenna Parameters with TSL:* The dipole is mounted with the spacer to position its feed point exactly below the center marking of the flat phantom section, with the arms oriented parallel to the body axis.
- Feed Point Impedance and Return Loss:* These parameters are measured with the dipole positioned under the liquid filled phantom. The impedance stated is transformed from the measurement at the SMA connector to the feed point. The Return Loss ensures low reflected power. No uncertainty required.
- Electrical Delay:* One-way delay between the SMA connector and the antenna feed point. No uncertainty required.
- SAR measured:* SAR measured at the stated antenna input power.
- SAR normalized:* SAR as measured, normalized to an input power of 1 W at the antenna connector.
- SAR for nominal TSL parameters:* The measured TSL parameters are used to calculate the nominal SAR result.

The reported uncertainty of measurement is stated as the standard uncertainty of measurement multiplied by the coverage factor $k=2$, which for a normal distribution corresponds to a coverage probability of approximately 95%.

Measurement Conditions

DASY system configuration, as far as not given on page 1.

DASY Version	DASY5	V52.10.1
Extrapolation	Advanced Extrapolation	
Phantom	Modular Flat Phantom	
Distance Dipole Center - TSL	10 mm	with Spacer
Zoom Scan Resolution	dx, dy, dz = 5 mm	
Frequency	1900 MHz \pm 1 MHz	

Head TSL parameters

The following parameters and calculations were applied.

	Temperature	Permittivity	Conductivity
Nominal Head TSL parameters	22.0 °C	40.0	1.40 mho/m
Measured Head TSL parameters	(22.0 \pm 0.2) °C	40.6 \pm 6 %	1.35 mho/m \pm 6 %
Head TSL temperature change during test	< 0.5 °C	----	----

SAR result with Head TSL

SAR averaged over 1 cm ³ (1 g) of Head TSL	Condition	
SAR measured	250 mW input power	9.77 W/kg
SAR for nominal Head TSL parameters	normalized to 1W	40.1 W/kg \pm 17.0 % (k=2)

SAR averaged over 10 cm ³ (10 g) of Head TSL	condition	
SAR measured	250 mW input power	5.22 W/kg
SAR for nominal Head TSL parameters	normalized to 1W	21.2 W/kg \pm 16.5 % (k=2)

Body TSL parameters

The following parameters and calculations were applied.

	Temperature	Permittivity	Conductivity
Nominal Body TSL parameters	22.0 °C	53.3	1.52 mho/m
Measured Body TSL parameters	(22.0 \pm 0.2) °C	54.9 \pm 6 %	1.46 mho/m \pm 6 %
Body TSL temperature change during test	< 0.5 °C	----	----

SAR result with Body TSL

SAR averaged over 1 cm ³ (1 g) of Body TSL	Condition	
SAR measured	250 mW input power	9.75 W/kg
SAR for nominal Body TSL parameters	normalized to 1W	40.2 W/kg \pm 17.0 % (k=2)

SAR averaged over 10 cm ³ (10 g) of Body TSL	condition	
SAR measured	250 mW input power	5.24 W/kg
SAR for nominal Body TSL parameters	normalized to 1W	21.4 W/kg \pm 16.5 % (k=2)

Appendix (Additional assessments outside the scope of SCS 0108)

Antenna Parameters with Head TSL

Impedance, transformed to feed point	52.2 Ω + 1.6 j Ω
Return Loss	- 31.4 dB

Antenna Parameters with Body TSL

Impedance, transformed to feed point	47.1 Ω + 3.0 j Ω
Return Loss	- 27.3 dB

General Antenna Parameters and Design

Electrical Delay (one direction)	1.195 ns
----------------------------------	----------

After long term use with 100W radiated power, only a slight warming of the dipole near the feedpoint can be measured.

The dipole is made of standard semirigid coaxial cable. The center conductor of the feeding line is directly connected to the second arm of the dipole. The antenna is therefore short-circuited for DC-signals. On some of the dipoles, small end caps are added to the dipole arms in order to improve matching when loaded according to the position as explained in the "Measurement Conditions" paragraph. The SAR data are not affected by this change. The overall dipole length is still according to the Standard.

No excessive force must be applied to the dipole arms, because they might bend or the soldered connections near the feedpoint may be damaged.

Additional EUT Data

Manufactured by	SPEAG
Manufactured on	June 04, 2002