

### Label location

A payment terminal shall bear the label with FCC ID:B321000CTLS and 787C-1000CTLS on the device rear panel as shown below.



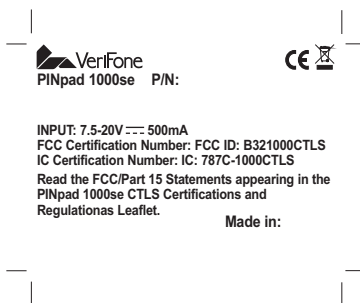
Label with FCC ID:B321000CTLS and IC:787C-1000CTLS will be placed here.

The part 15 statement required by FCC rules, paragraph 15.19 (a)(3), is inserted into the Certifications\_and\_Regulations\_19283\_PP and Certifications\_and\_Regulations\_19283\_Qx provided to the user together with each unit.

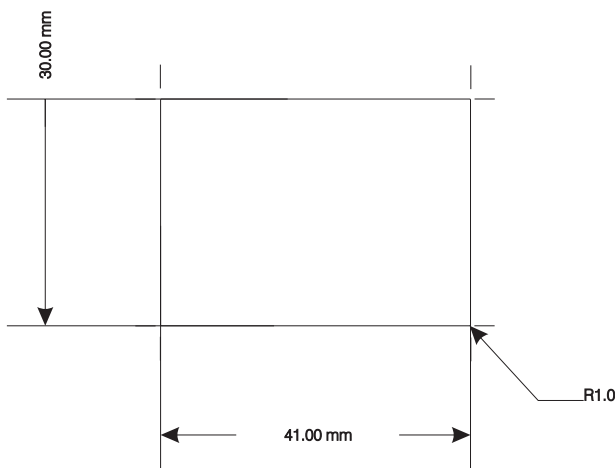
**REVISIONS**

ECN NO.	I.R	ZONE	LTR	DESCRIPTION	DATE	APPROVED

**GRAPHICS**




**DIMENSIONS:**



**PART No.: LBP115008-B**

MATERIAL	LBP115000-A
ADHESIVE	ON REVERSE SIDE OF LABEL
TEXT COLOR	BLACK
BACKGROUND COLOR	WHITE

CONTRACT NO.		SIGNATURE	DATE	 <b>TITLE</b> PP1000CTLS - UPDATE PRODUCT LABEL															
DRAWN	O.FRIEDMAN		05.03.09																
CHECK																			
DESIGN																			
DESIGN ACTIVITY																			
NEXT ASSY				<table border="1"> <tr> <td>SIZE</td> <td>DIR:</td> <td>115</td> <td>DWG NO.</td> <td>REV.</td> </tr> <tr> <td><b>B</b></td> <td>FILE:</td> <td>1158019</td> <td><b>1158019</b></td> <td>B00</td> </tr> <tr> <td>SCALE</td> <td>RELEASE DATE</td> <td>05.03.09</td> <td>SHEET</td> <td>1 OF 2</td> </tr> </table>	SIZE	DIR:	115	DWG NO.	REV.	<b>B</b>	FILE:	1158019	<b>1158019</b>	B00	SCALE	RELEASE DATE	05.03.09	SHEET	1 OF 2
SIZE	DIR:	115	DWG NO.	REV.															
<b>B</b>	FILE:	1158019	<b>1158019</b>	B00															
SCALE	RELEASE DATE	05.03.09	SHEET	1 OF 2															

**REVISIONS**

ECN NO.	I.R	ZONE	LTR	DESCRIPTION	DATE	APPROVED

**Product label sample**

**Production Barcode Serial No. For Example**

**Serial No. For Example**

**1000WW05C00 8800234123**

**S/N: 800-234-123**

Project Name (4 digits)

Country of Origin (2 digits)

Model No. (2 digits)

Production Version (3 digits)

Serial No. (10 digits)

Serial No. (9 digits)

**Notes:**

1. Marketing P/N & Production P/N are connected. Production P/N will be taken from the Marketing bill of material.
2. Made in “ ” will be printed according to customer request.

CONTRACT NO.		SIGNATURE	DATE	<p align="center"><b>TITLE</b></p> <p align="center"><b>PP1000CTLS - UPDATE PRODUCT LABEL</b></p>			
DRAWN	O.FRIEDMAN		05.03.09				
CHECK							
DESIGN							
DESIGN ACTIVITY				SIZE	DIR: 115	DWG NO.	REV.
NEXT ASSY				B	FILE: 1158019	1158019	A00
		SCALE		RELEASE DATE		SHEET	
				05.03.09		2 OF 2	

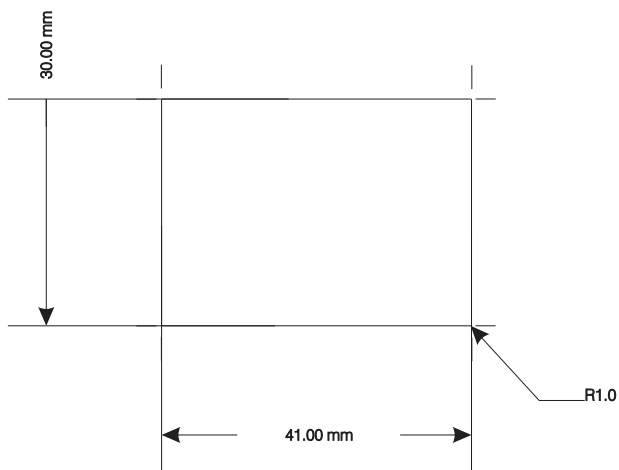
**REVISIONS**

ECN NO.	I.R	ZONE	LTR	DESCRIPTION	DATE	APPROVED

**GRAPHICS**




**DIMENSIONS:**



**PART No.: LBP115024-B**

MATERIAL	LBP115000-A
ADHESIVE	ON REVERSE SIDE OF LABEL
TEXT COLOR	BLACK
BACKGROUND COLOR	WHITE

CONTRACT NO.		SIGNATURE	DATE	 <b>TITLE</b> QX1000 - UPDATE PRODUCT LABEL															
DRAWN	O.FRIEDMAN		05.03.09																
CHECK																			
DESIGN																			
DESIGN ACTIVITY																			
NEXT ASSY				<table border="1"> <tr> <td>SIZE</td> <td>DIR:</td> <td>115</td> <td>DWG NO.</td> <td>REV.</td> </tr> <tr> <td>B</td> <td>FILE:</td> <td>1158044</td> <td>1158044</td> <td>B00</td> </tr> <tr> <td colspan="2">SCALE</td> <td>RELEASE DATE</td> <td>05.03.09</td> <td>SHEET 1 OF 2</td> </tr> </table>	SIZE	DIR:	115	DWG NO.	REV.	B	FILE:	1158044	1158044	B00	SCALE		RELEASE DATE	05.03.09	SHEET 1 OF 2
SIZE	DIR:	115	DWG NO.	REV.															
B	FILE:	1158044	1158044	B00															
SCALE		RELEASE DATE	05.03.09	SHEET 1 OF 2															

**REVISIONS**

ECN NO.	I.R	ZONE	LTR	DESCRIPTION	DATE	APPROVED

**Product label sample**

**Production Barcode Serial No. For Example**

**Serial No. For Example**

**1000WW05C00 8800234123**

**S/N: 800-234-123**

Project Name (4 digits)

Country of Origin (2 digits)

Model No. (2 digits)

Production Version (3 digits)

Serial No. (10 digits)

Serial No. (9 digits)

**Notes:**

1. Marketing P/N & Production P/N are connected. Production P/N will be taken from the Marketing bill of material.
2. Made in “ ” will be printed according to customer request.

CONTRACT NO.		SIGNATURE	DATE	<p><b>VeriFone</b></p> <p>TITLE</p> <p><b>QX1000 - UPDATE PRODUCT LABEL</b></p>								
DRAWN	O.FRIEDMAN		05.03.09									
CHECK												
DESIGN												
DESIGN ACTIVITY				<table border="1"> <tr> <td>SIZE</td> <td>DIR: 115</td> <td>DWG NO.</td> <td>REV.</td> </tr> <tr> <td>B</td> <td>FILE: 1158044</td> <td>1158044</td> <td>B00</td> </tr> </table>	SIZE	DIR: 115	DWG NO.	REV.	B	FILE: 1158044	1158044	B00
SIZE	DIR: 115	DWG NO.	REV.									
B	FILE: 1158044	1158044	B00									
NEXT ASSY				<table border="1"> <tr> <td>SCALE</td> <td>RELEASE DATE</td> <td>SHEET</td> </tr> <tr> <td></td> <td>05.03.09</td> <td>2 OF 2</td> </tr> </table>	SCALE	RELEASE DATE	SHEET		05.03.09	2 OF 2		
SCALE	RELEASE DATE	SHEET										
	05.03.09	2 OF 2										