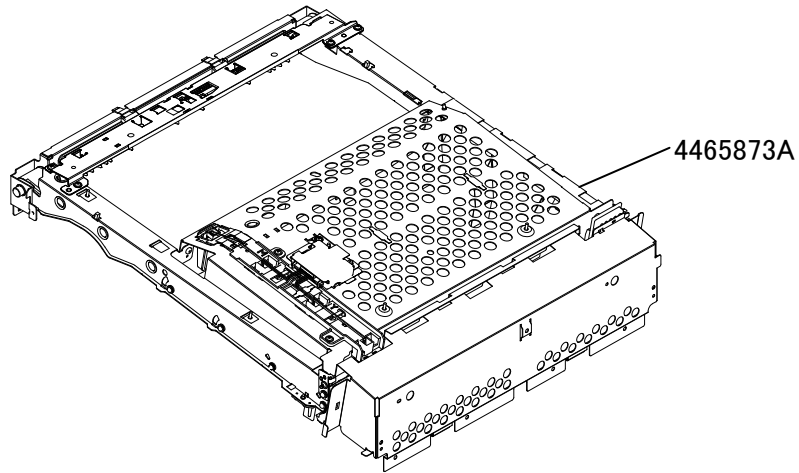
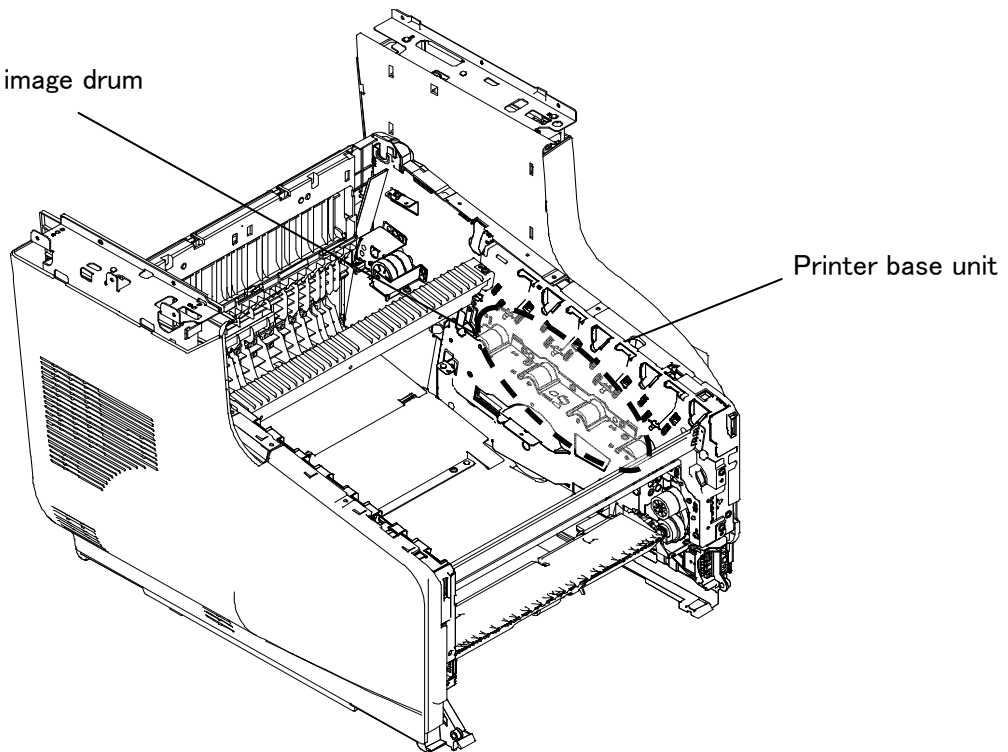


## 4465873A set up manual

4465873A are attached printer base unit according to the following figure.  
Function of 4465873A is next page.



Toner cartridges and image drum  
units set area



## FCC Requirement

### FCC WARNING

Changes or modifications not expressly approved by the party responsible for compliance could void the user's authority to operate the equipment.

### NOITCE

This equipment has been tested found to comply with the limits for a Class B digital device, pursuant to part 15 of the FCC Rules. These limits are designed to provide reasonable protection against harmful interference in a residential installation. This equipment generates, uses and can radiate radio frequency energy and, if not installed and used in accordance with the instructions, may cause harmful interference to radio communications. However, there is no guarantee that interference will not occur in a particular installation. If this equipment does cause harmful interference to radio or television reception, which can be determined by turning the equipment off and on, the user is encouraged to try to correct the interference by one or more of the following measures: -Reorient or relocate the receiving antenna –Increase the separation between the equipment and receiver. – Connect the equipment into an outlet on a circuit different from that to which the receiver is connected. –Consult the dealer or an experienced radio/ TV technician for help.

## IC Requirement

This device complies with Industry Canada licence-exempt RSS standard(s). Operation is subject to the following two conditions: (1) this device may not cause interference, and (2) this device must accept any interference, including interference that may cause undesired operation of the device.

A toner cartridge and image drum unit are equipped with RF-ID TAG.

If toner cartridges and image drum units are set to a printer, communication of RF-ID TAG and a RFID read writer module (4465873A) will be attained. The function of this system is the following.

-Management of the existence detection and toner residual quantity of a toner cartridge and image drum unit

