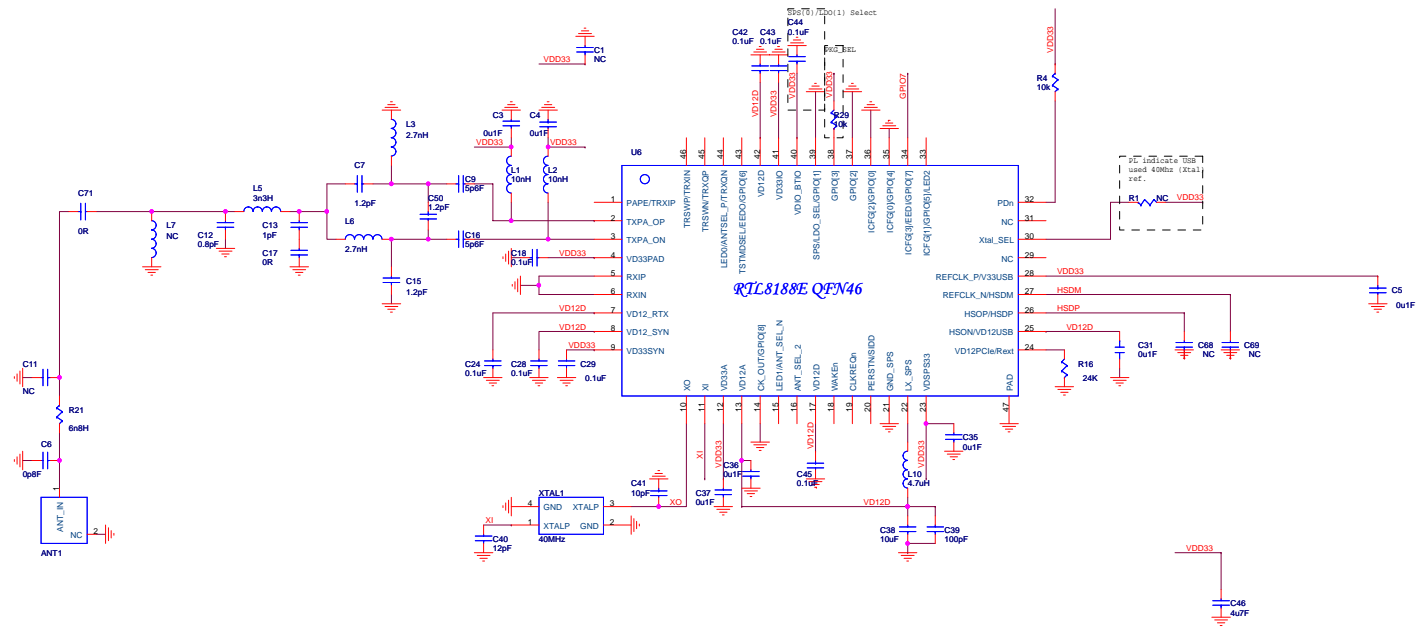
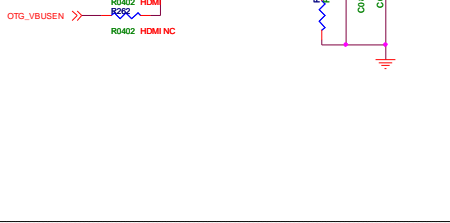
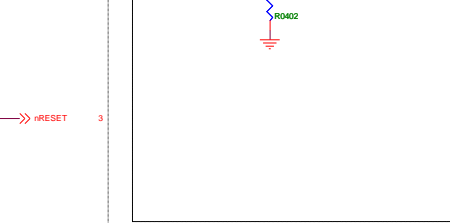
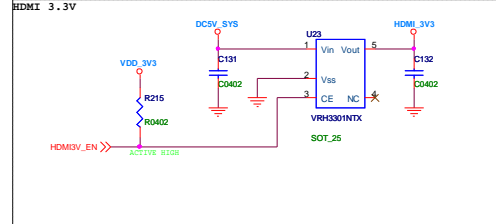
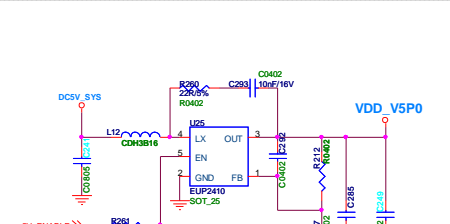
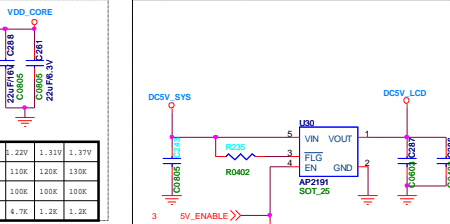
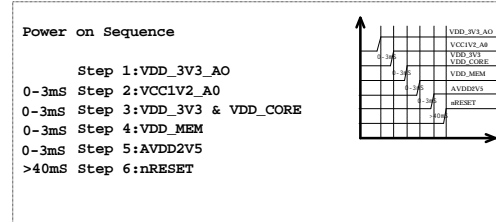
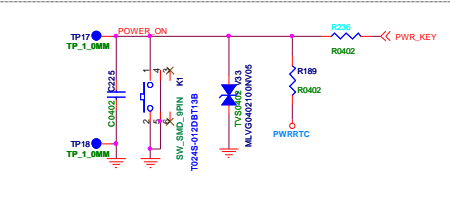
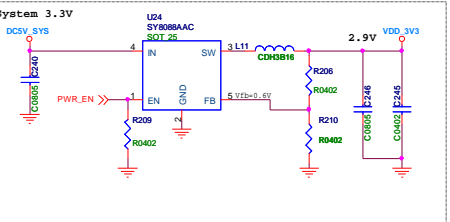
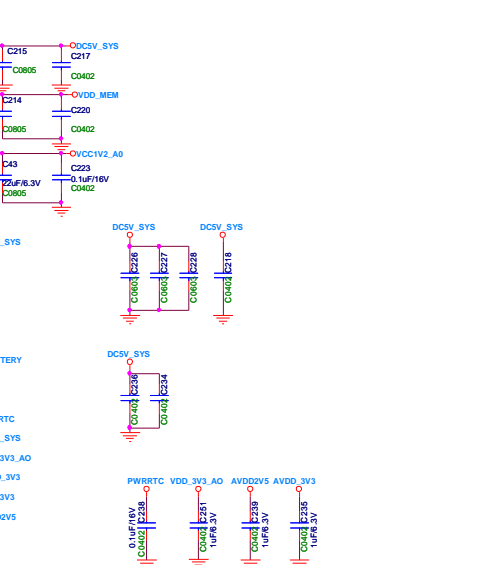
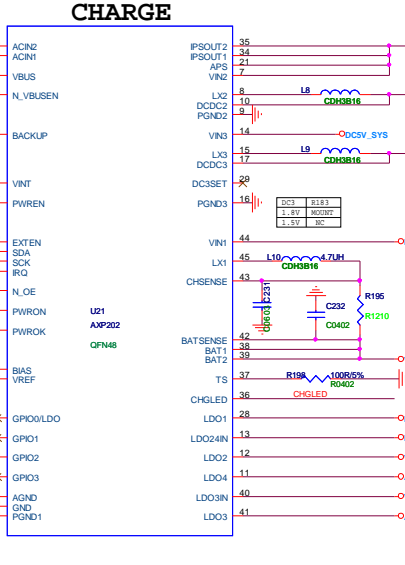
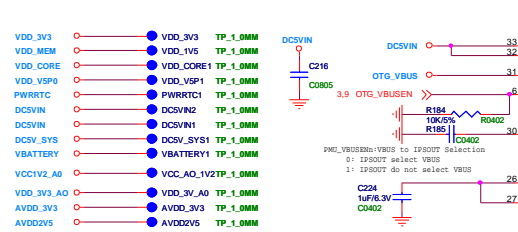
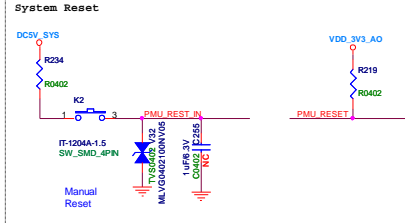
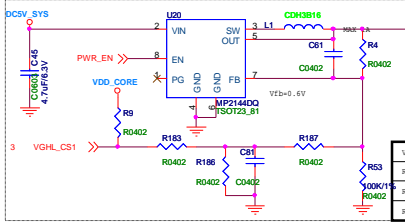
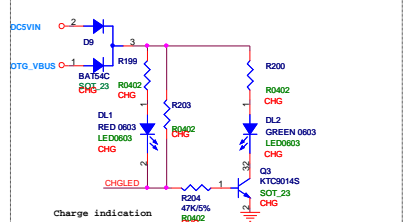
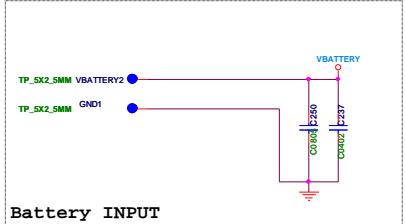
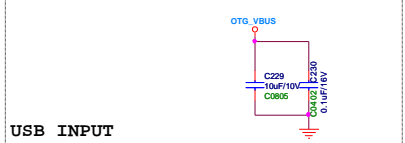
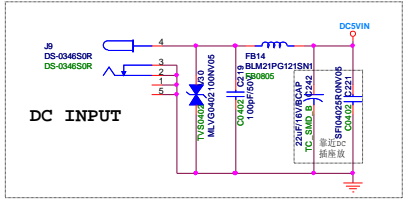
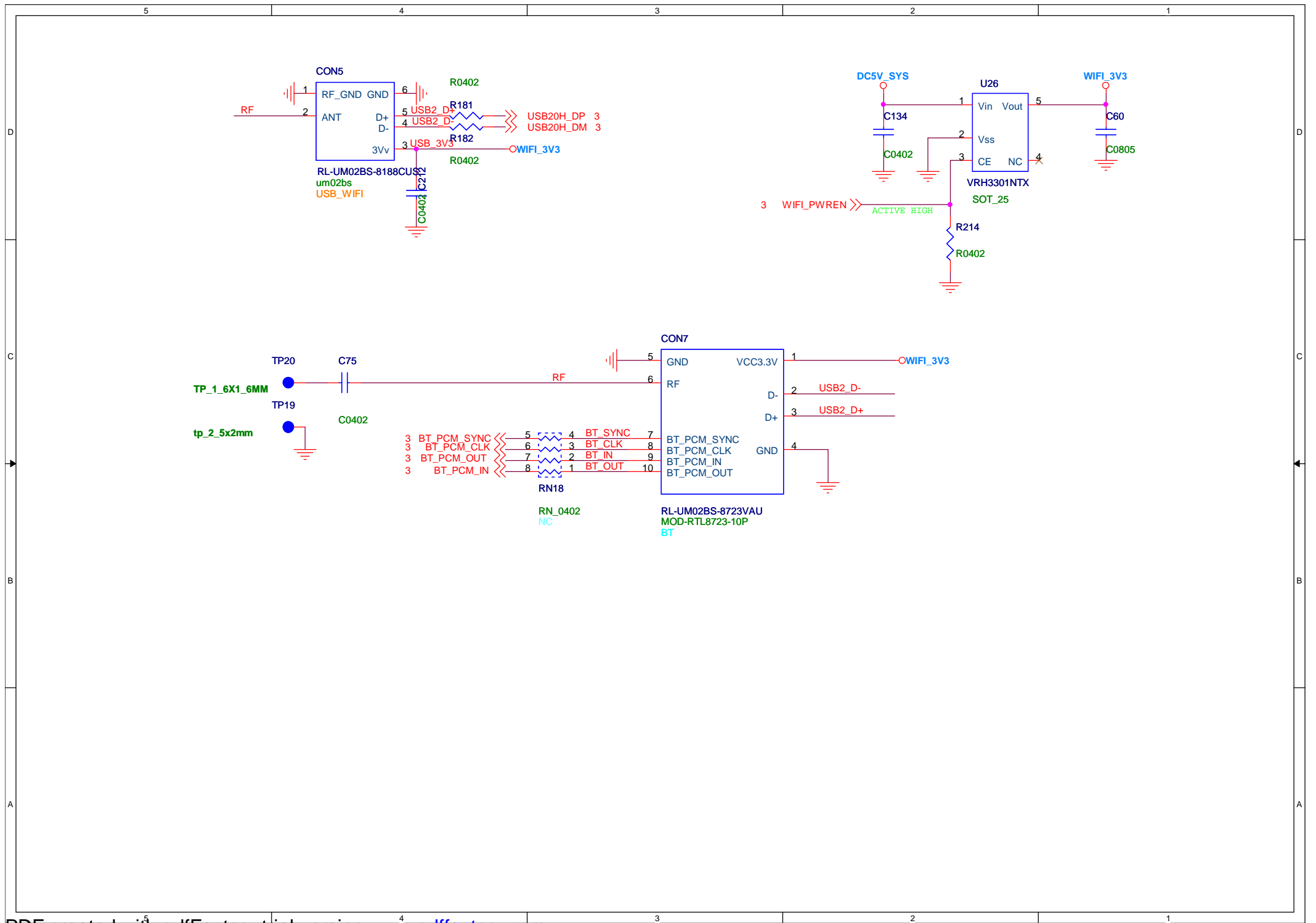


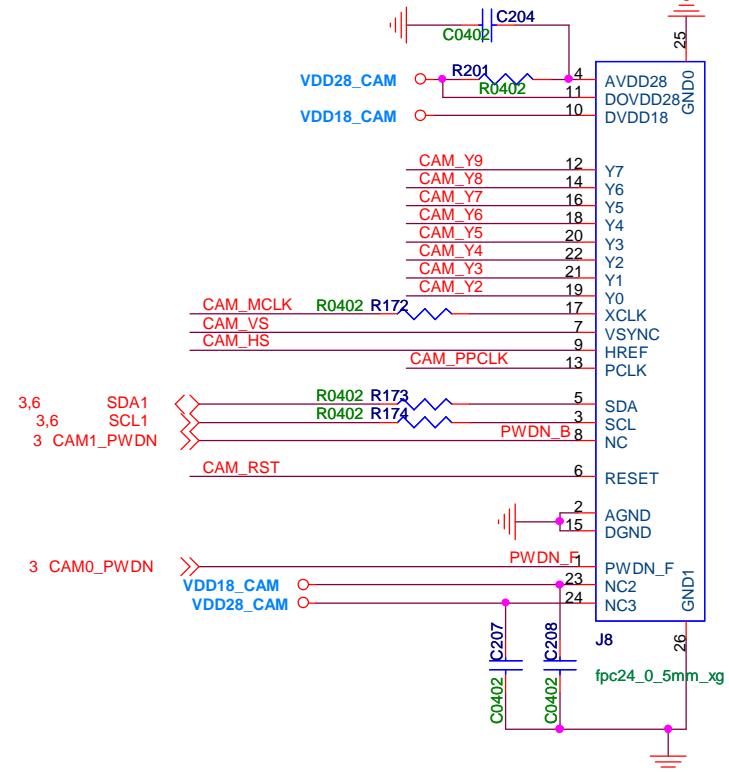
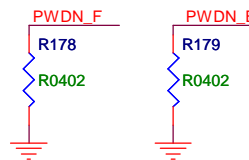
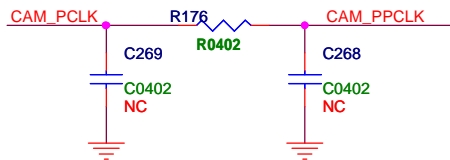
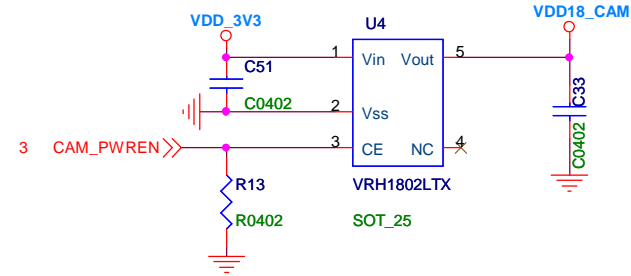
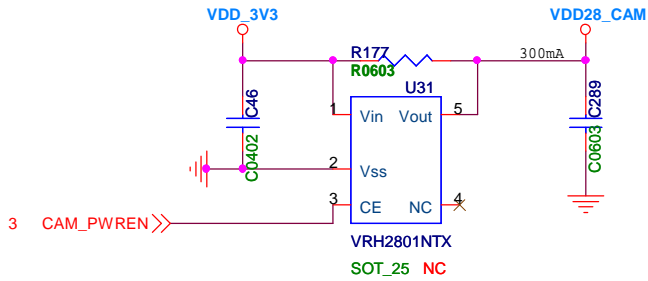
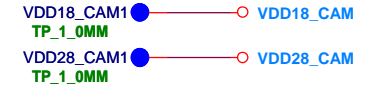
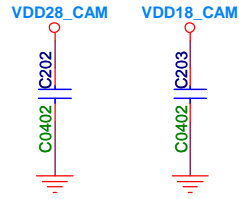
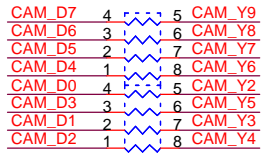
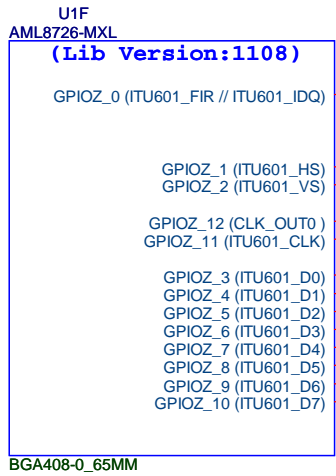
UD88E00-1V0	Initial	20120117
UD88E00-1V0	delete R3, R10, R11, R32, R40	20120210
UD88E00-1V0	add C30, C31	20120210
UD88E00-1V0	update ZNF matching value, L5, C1	20120325



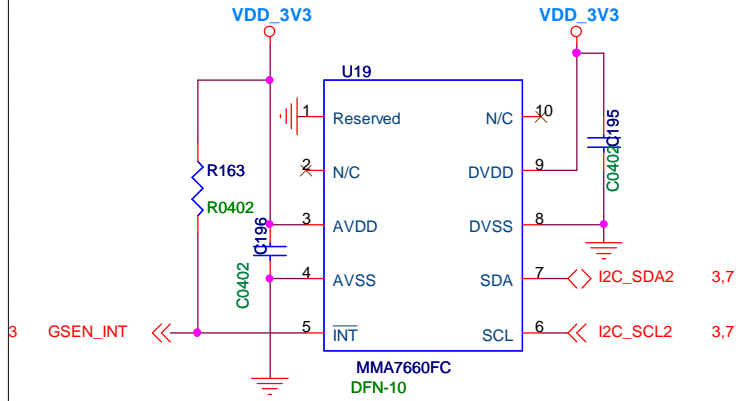
Title		
UD88E00-1V0		
Size	Document Number	Rev
Custom-Doc-		1V0
Date:	Thursday, April 05, 2012	Sheet 1 of 1







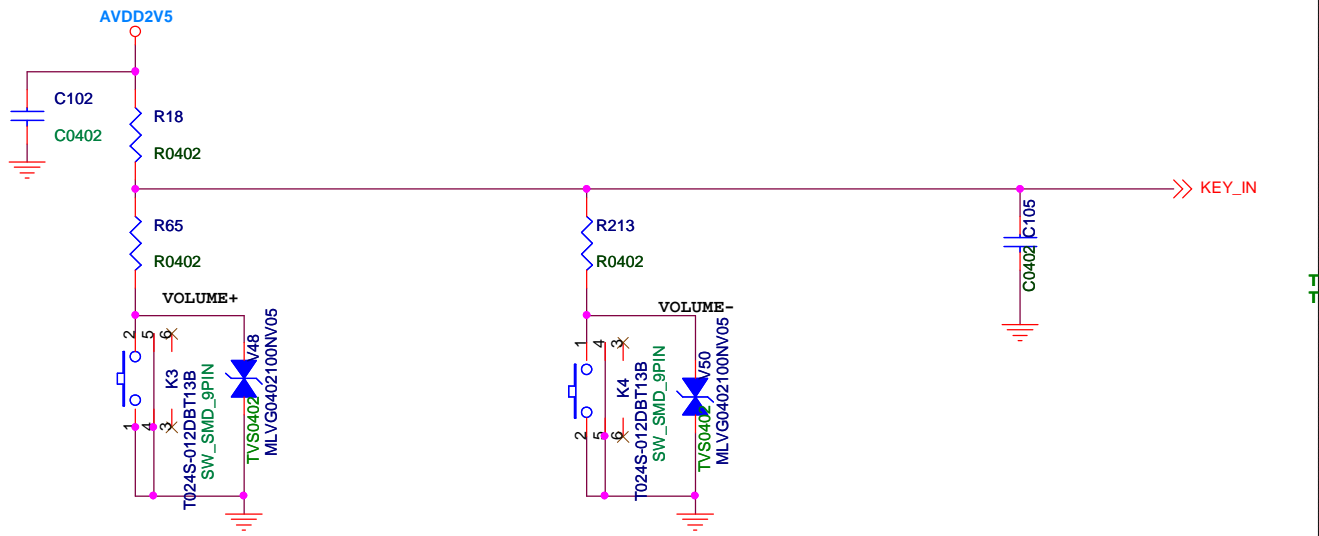
### G-SENSOR (1)



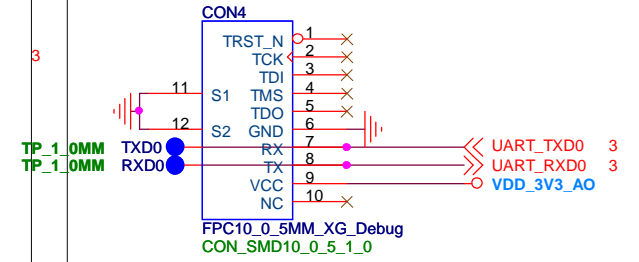
### G-SENSOR (2)



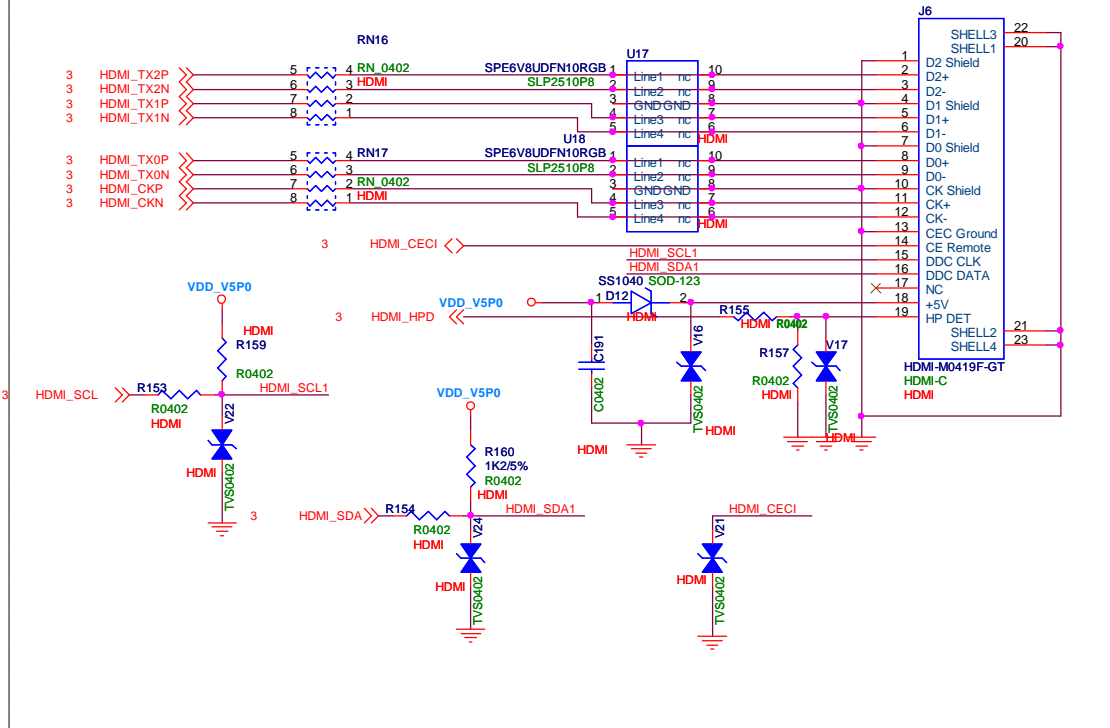
### KEY



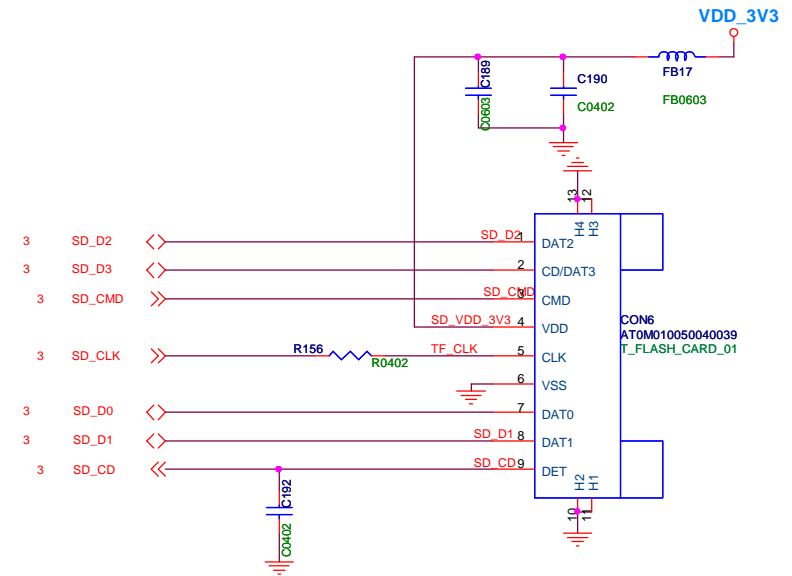
### UART



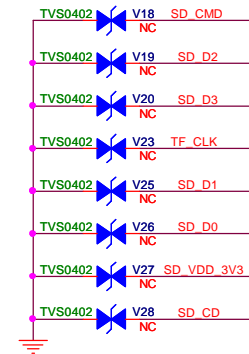
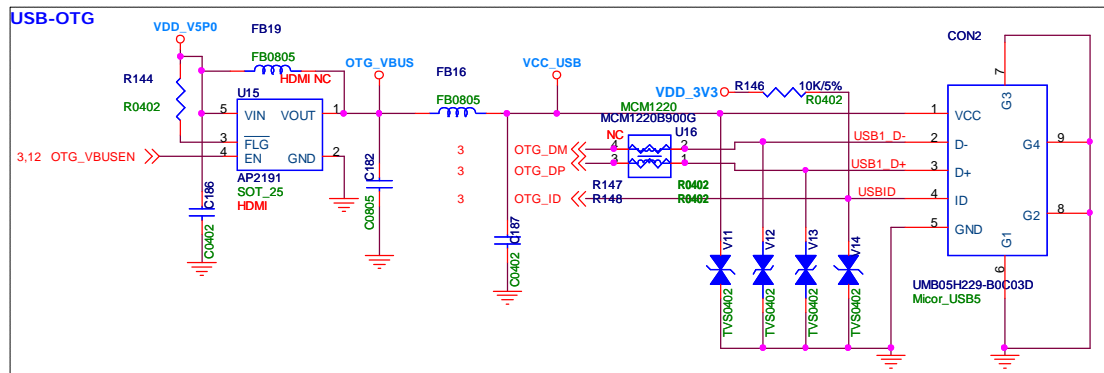
# HDMI

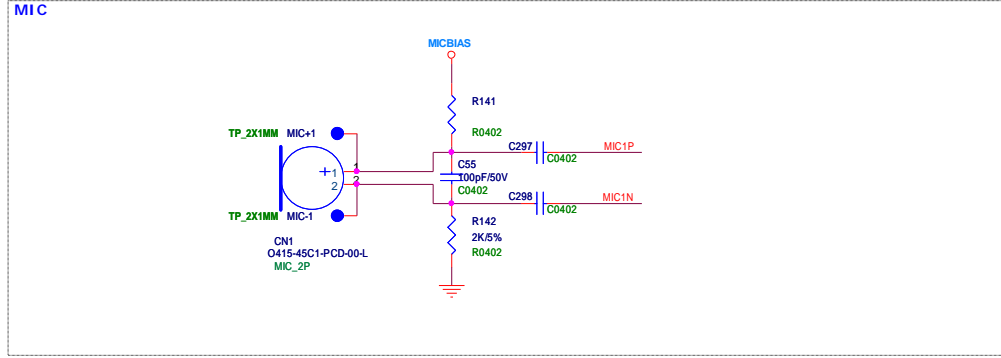
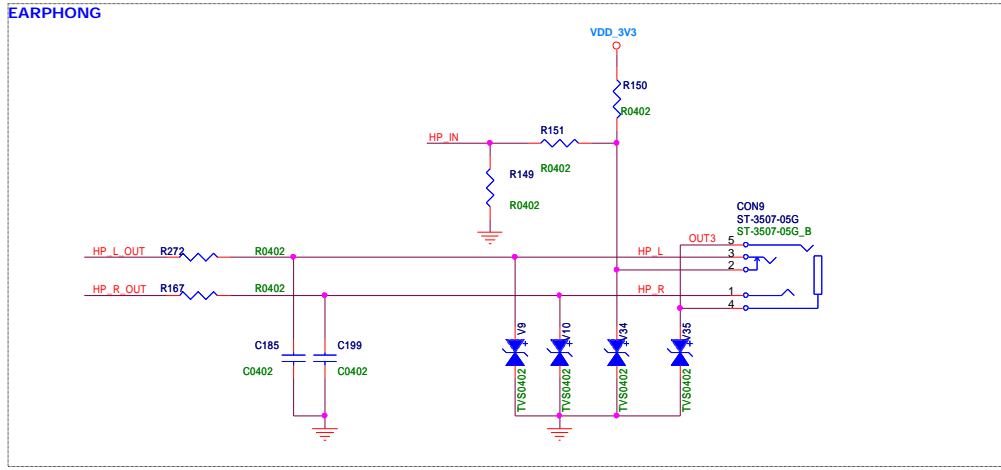
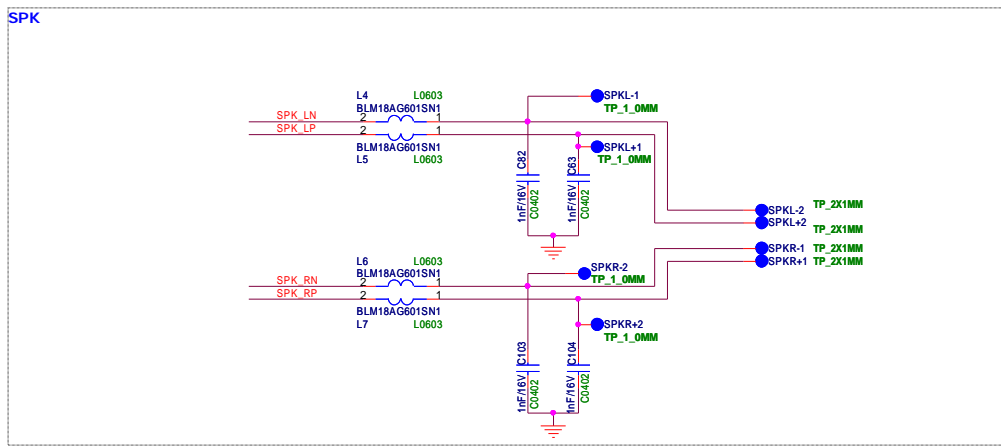
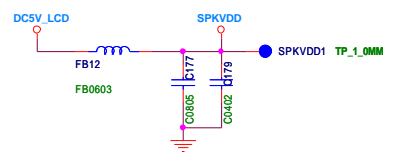
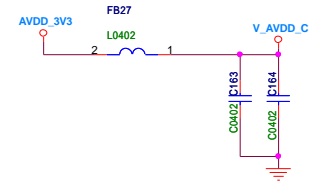
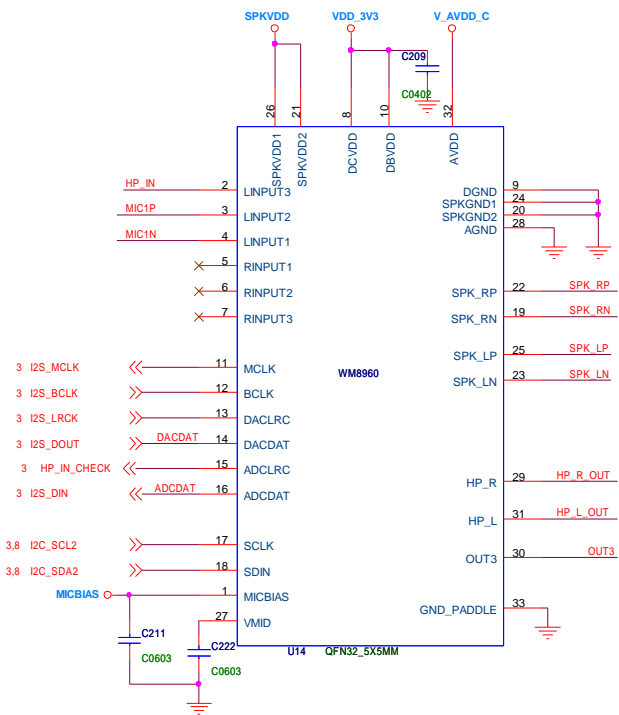


# TF CARD



# USB-OTG

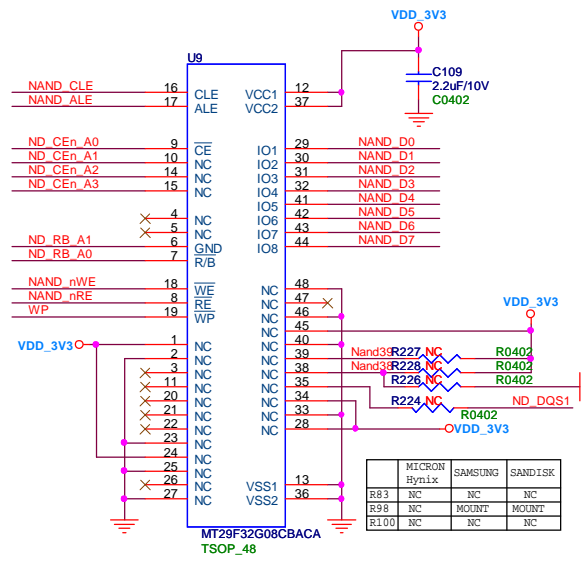
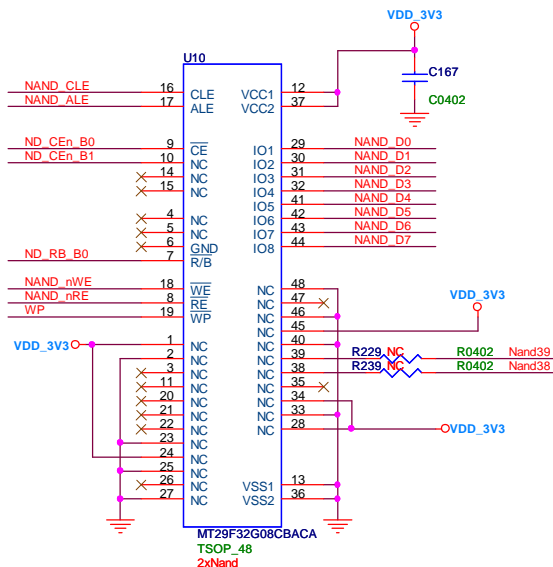
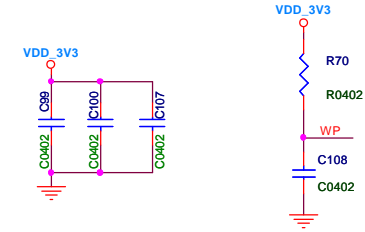
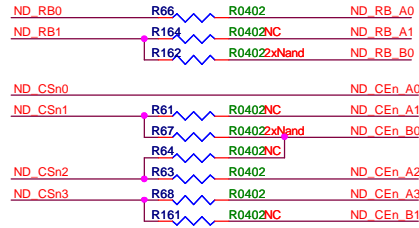
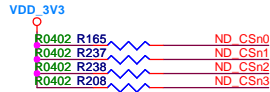
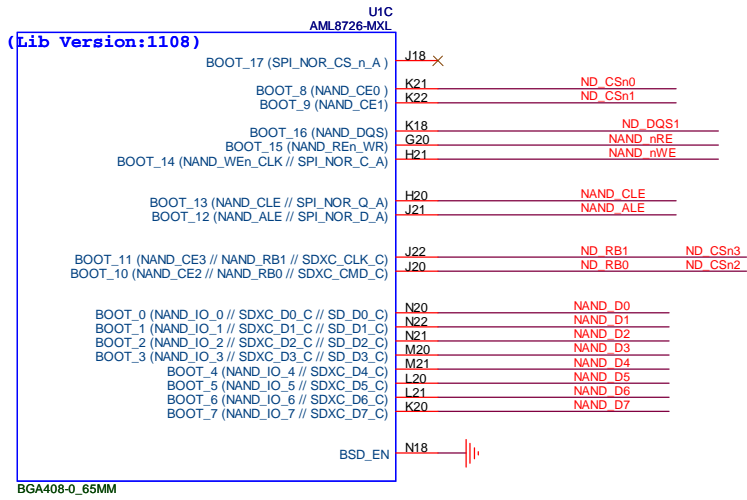




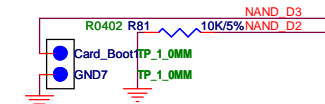
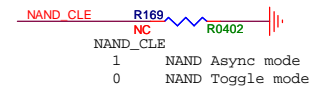




# NAND & INAND



place to easy welding place where can be weld when open the shell.



NAND_D4	NAND_D3	NAND_D2	
1	1	1	Boot from nand without RB
1	1	0	Nand with RB
1	0	X	SPI nor flash romboot

## Power ON Config

DDR3x4

