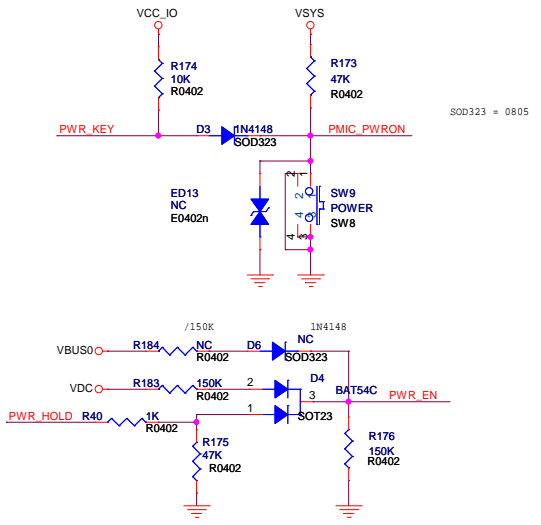
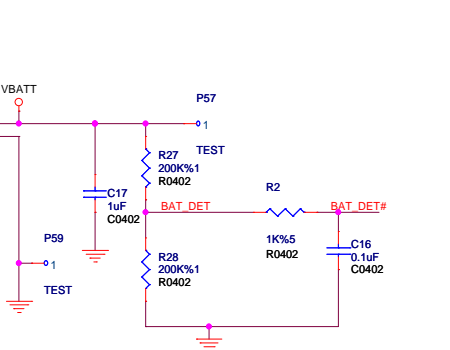


DC IN

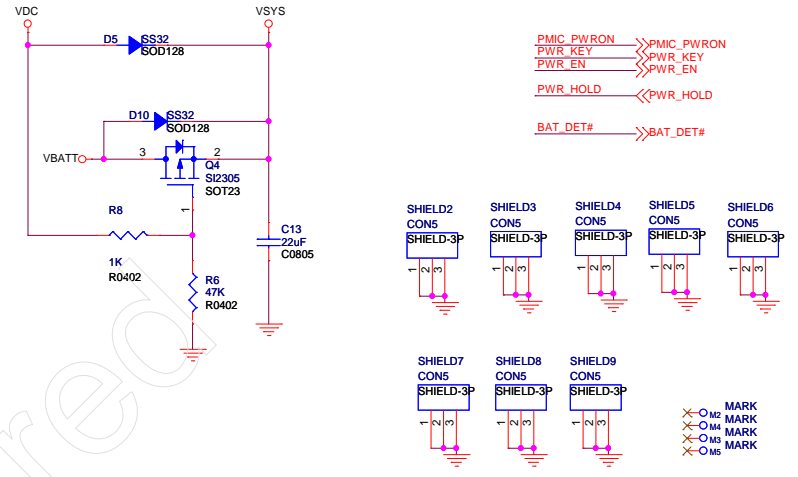


POWER CONTROL

Charging icon displayed if power key is long pressed when adapter or usb is exist!



BATTERY



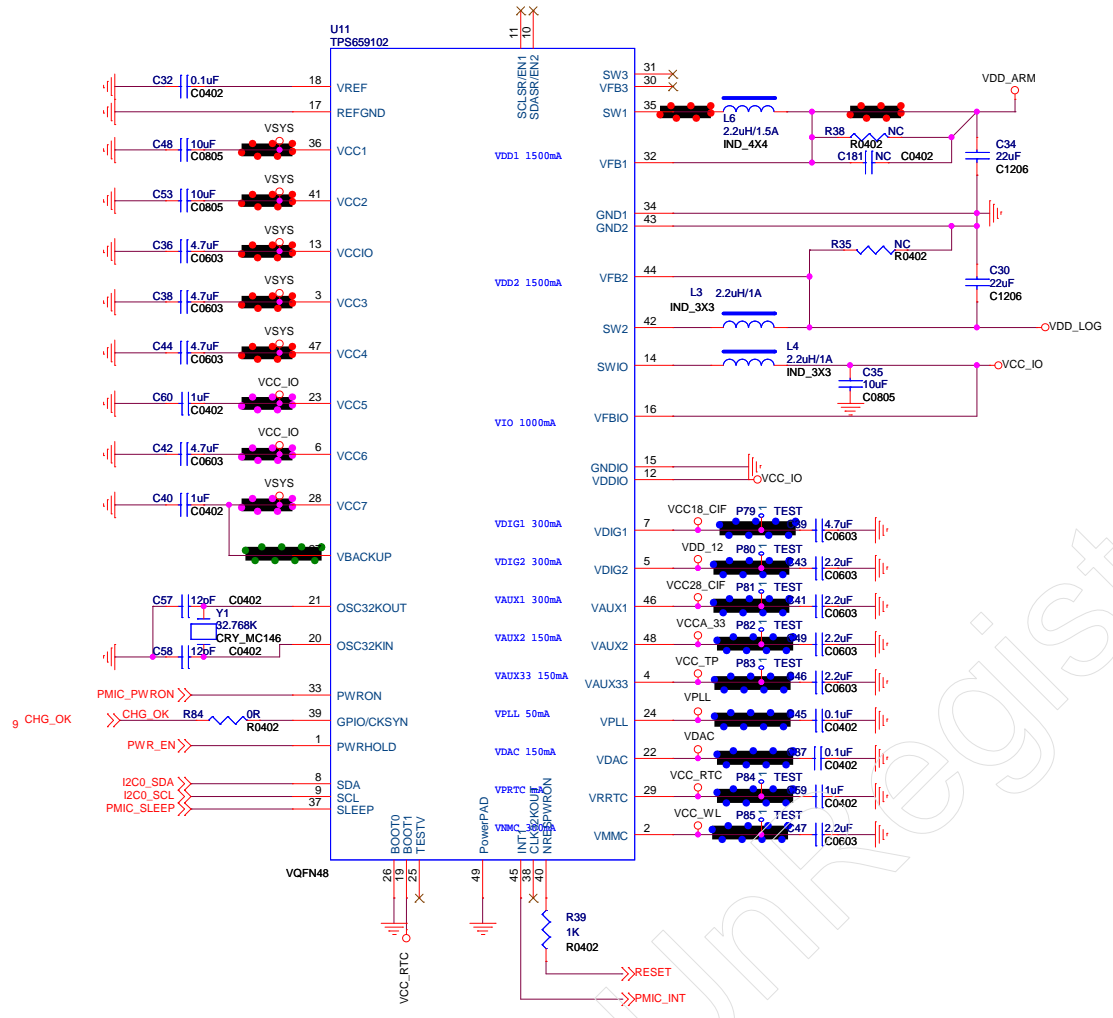
CHARGE

EMC5040/RT9505: Icharge=830V/Rset, Used R151, No used R149
 LP28011: Icharge=300X(2.5/Rset), Used R149, No used R151
 Don't suggest charging current more than 800 mA;

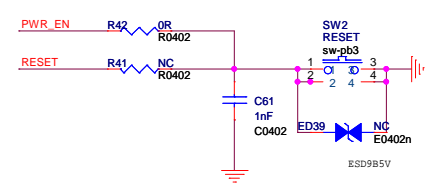
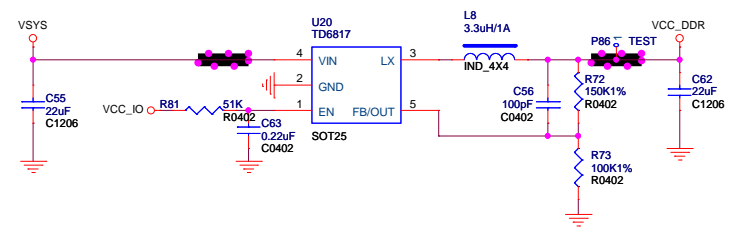
Rackchip 瑞芯微电子		福州瑞芯微电子有限公司	
Title: DC/Charge			
File: 86V-2926		REV: 1.1	
Create Date: Thursday, November 24, 2011	Page Num: 5		
Modify Date: Thursday, March 14, 2013	Page Total: 15		

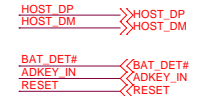
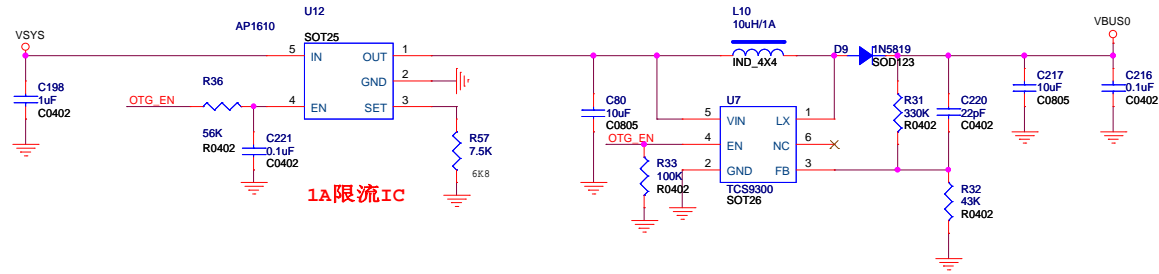
PCB POWER WIRE WIDTH INDICATE

	above 80 miles
	above 50 miles
	above 30 miles
	above 12 miles
No indicate	Under needs



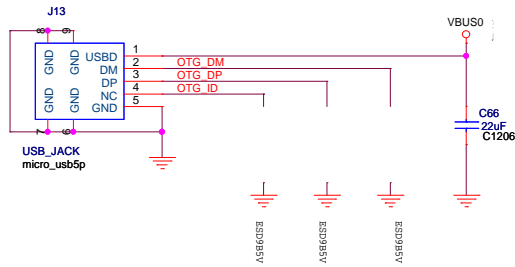
Note: Please use a 1.5A or above power supply IC.



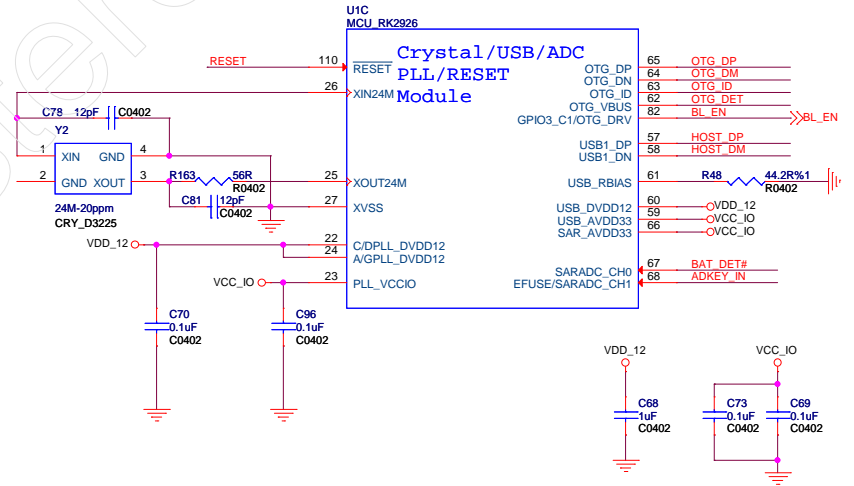


1A限流IC

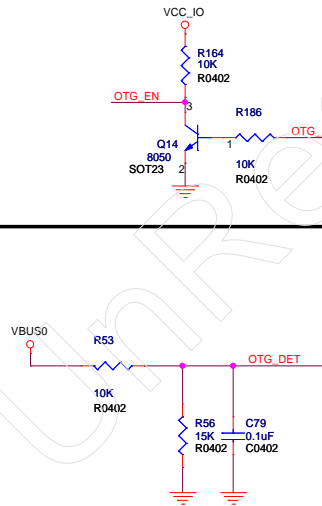
OTG POWER



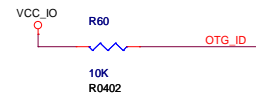
Note:
Adjusted the load capacitance
according to the crystal specification.



USB OTG CONNECTOR



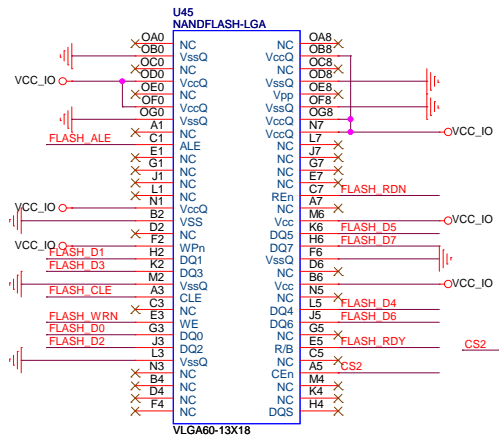
USB_DET



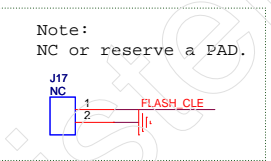
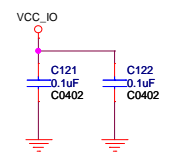
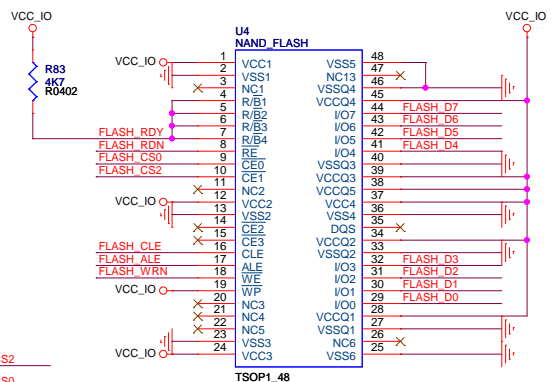
RK2926-C

VIBRATION

Rackchip 瑞芯微电子		福州瑞芯微电子有限公司	
Title: USB OTG			
File: 86V-2926			REV: 1.1
Create Date: Tuesday, November 29, 2011	Page Num: 7		
Modify Date: Monday, March 11, 2013	Page Total: 15		

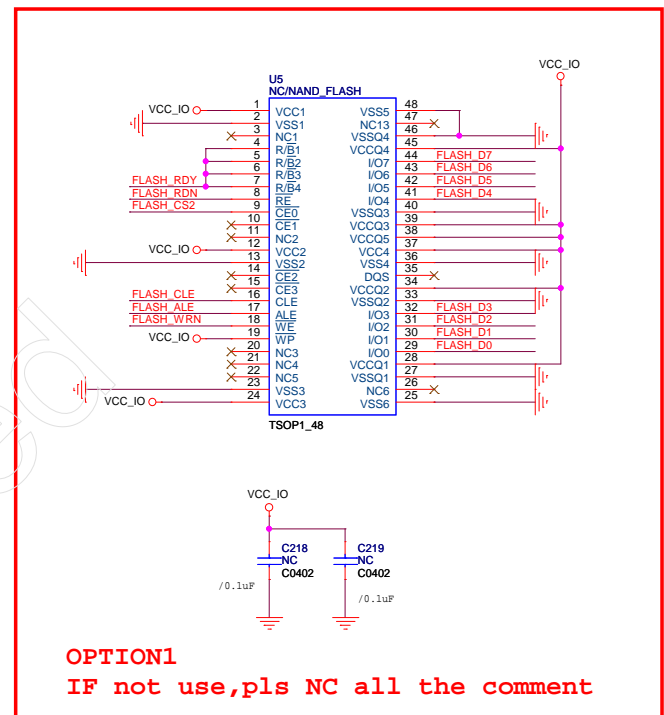


RK2926-D

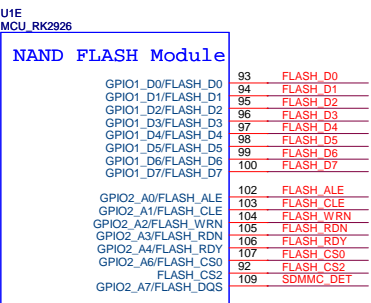
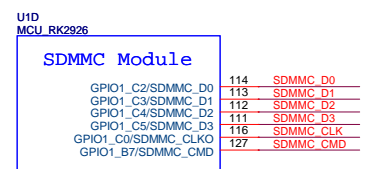


Note:
NC or reserve a PAD.

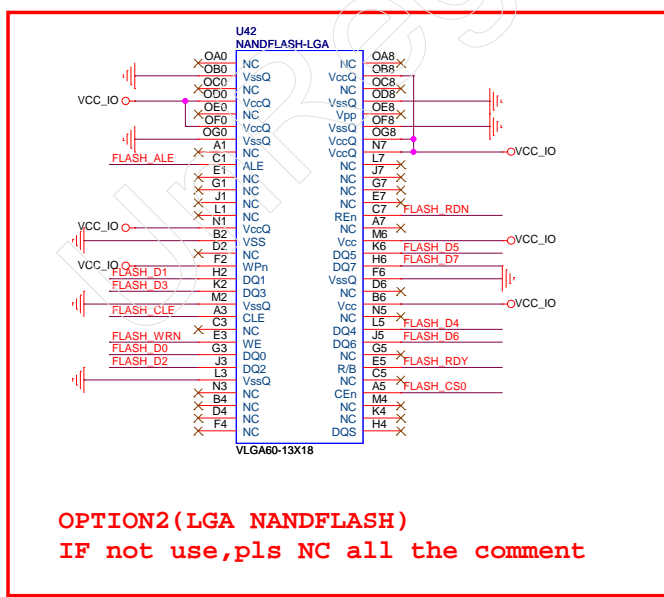
NAND FLASH



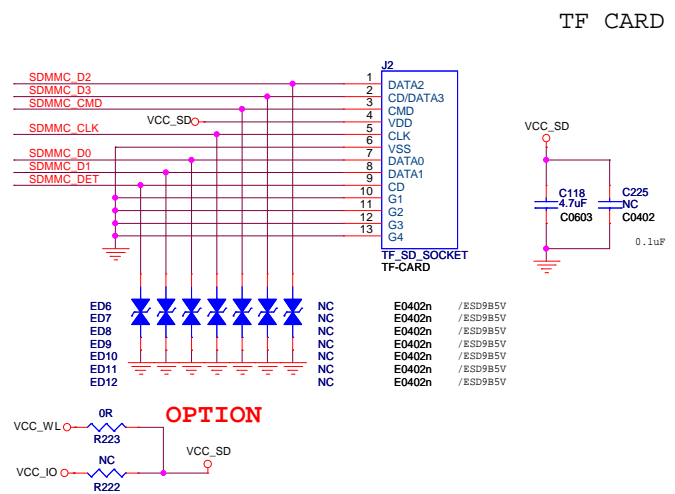
OPTION1
IF not use, pls NC all the comment



RK2926-E

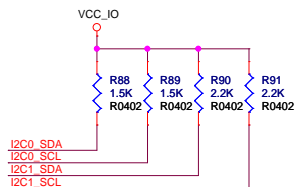


OPTION2(LGA NANDFLASH)
IF not use, pls NC all the comment



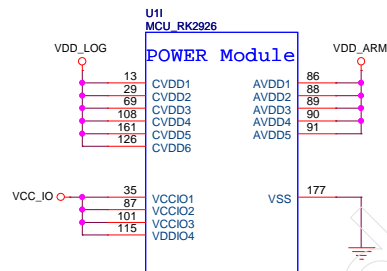
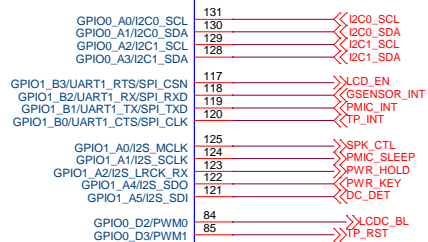
OPTION

Rackchip 福州瑞芯微电子有限公司	
Title: Flash/TF card	
File: 86V-2926	REV: 1.1
Create Date: Thursday, October 14, 2010	Page Num: 9
Modify Date: Monday, March 11, 2013	Page Total: 15



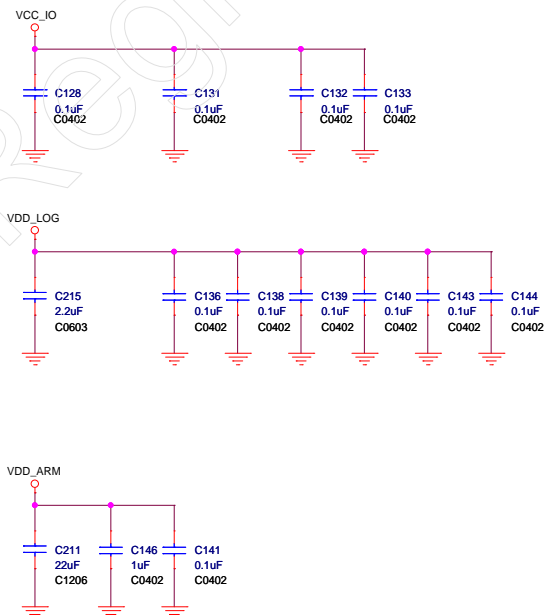
U1G
MCU_RK2926

**GPIO/UART/PWM
I2C/I2S Module**



Note:
Place these filter capacitors under CPU.

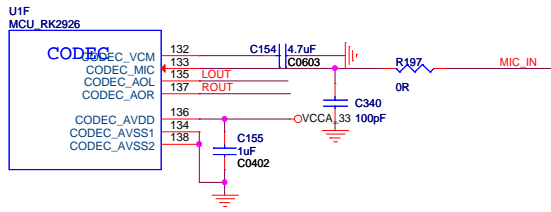
RK2926-I



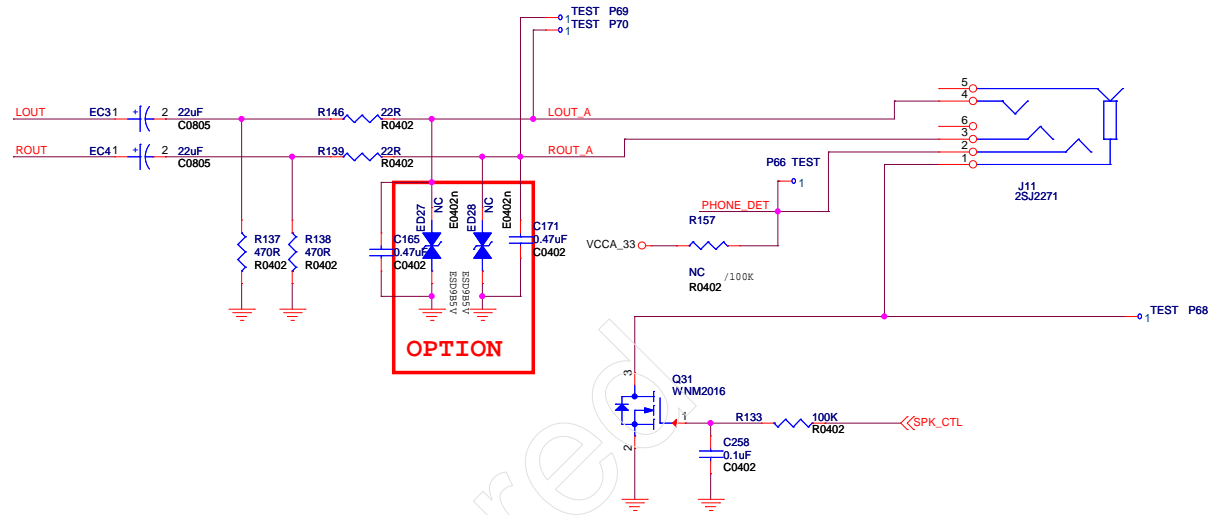
RK2928 CORE POWER FILTER

RK2926-G

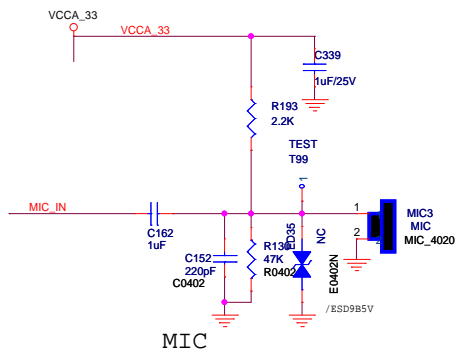
Rackchip 瑞芯微电子		福州瑞芯微电子有限公司	
Title: GPIO/POWER			
File: 86V-2926		REV: 1.1	
Create Date:	Monday, October 18, 2010	Page Num:	10
Modify Date:	Monday, March 11, 2013	Page Total:	15



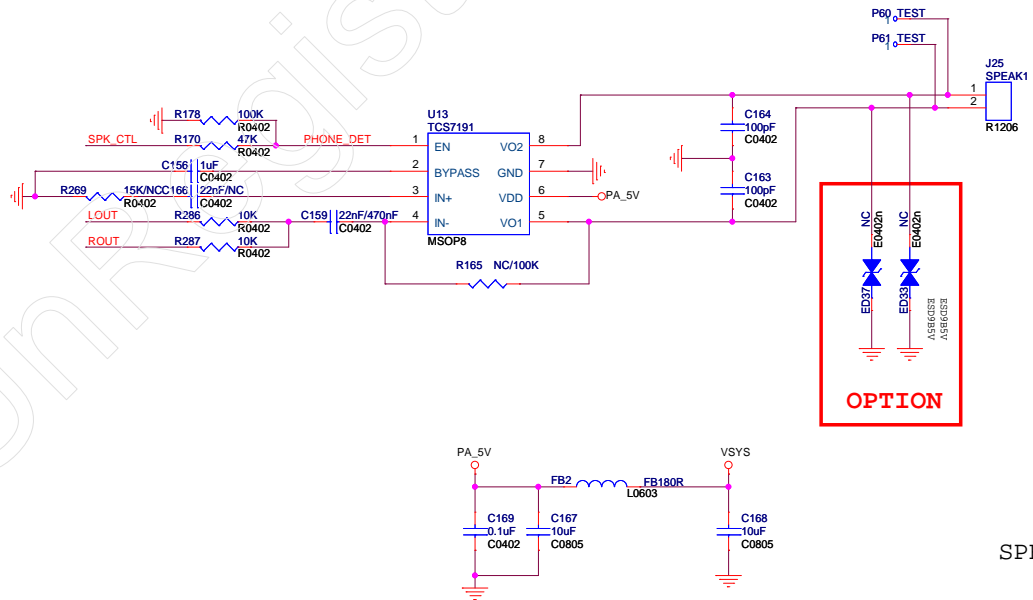
RK2926-F



HEADPHONE

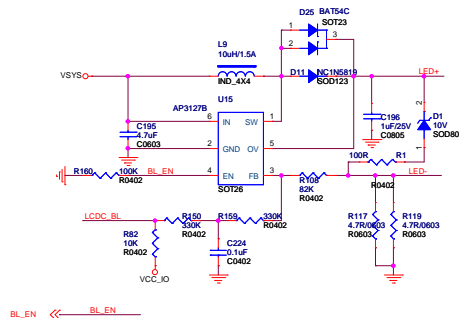
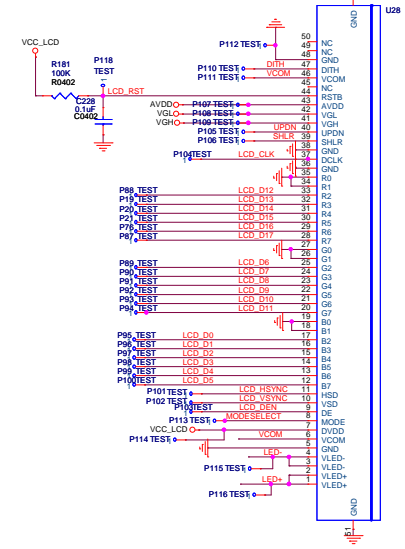
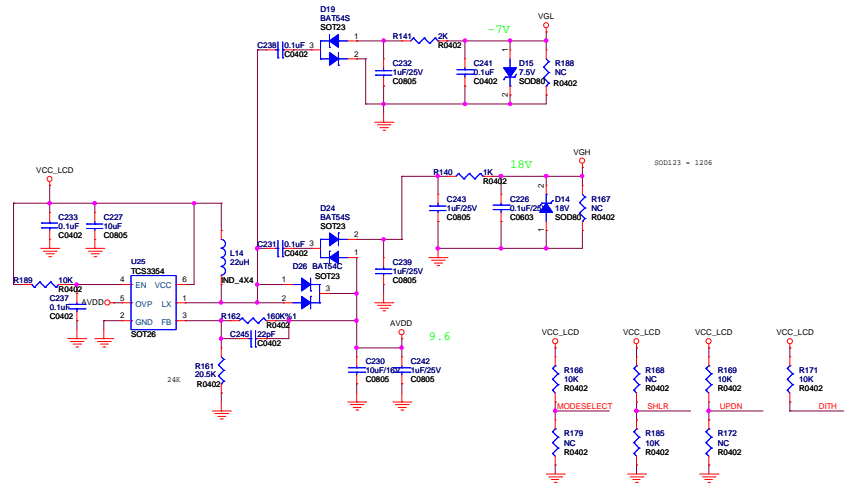
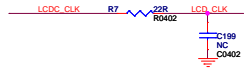


MIC



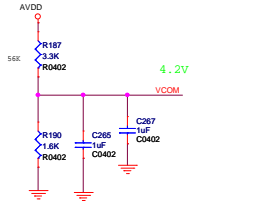
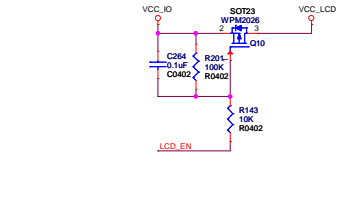
SPEAKER DRIVER

Rackchip 瑞芯微电子		福州瑞芯微电子有限公司	
Title: AUDIO			
File: A710_RK2928L_1CELL_V10			REV: 1.1
Create Date: Friday, May 04, 2012			Page Num: 11
Modify Date: Monday, March 11, 2013			Page Total: 15



BL_EN ← BL_EN

LCD PANEL CONNECTOR



U1A MCU RK2926

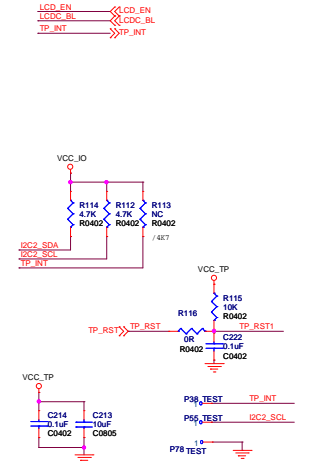
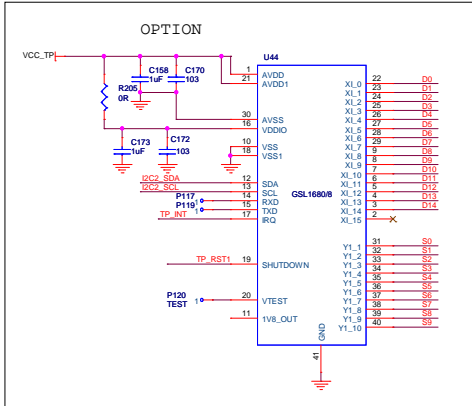
LCD Module

GPIO2_B0/LCD_DCLK	43	LCD_CK
GPIO2_B1/LCD_HSYNC	42	LCD_HSYNC
GPIO2_B2/LCD_VSYNC	41	LCD_VSYNC
GPIO2_B3/LCD_BEN	40	LCD_DEN
GPIO2_B4/LCD_BEN	39	LCD_DEN
LCD_D0/LVDS_TX0P	38	LCD_D0
LCD_D1/LVDS_TX1N	37	LCD_D1
LCD_D2/LVDS_TX1P	36	LCD_D2
LCD_D3/LVDS_TX1N	35	LCD_D3
LCD_D4/LVDS_TX2P	34	LCD_D4
LCD_D5/LVDS_TX2N	33	LCD_D5
LCD_D6/LVDS_TX2P	32	LCD_D6
LCD_D7/LVDS_TX2N	31	LCD_D7
LCD_D8/LVDS_TX3P	30	LCD_D8
LCD_D9/LVDS_TX3N	29	LCD_D9
LCD_D10/LVDS_CLKN	28	LCD_D10
GPIO2_B6/LCD_D11	38	LCD_D11
GPIO2_B7/LCD_D12	37	LCD_D12
GPIO2_B8/LCD_D13	36	LCD_D13
GPIO2_C0/LCD_D14	35	LCD_D14
GPIO2_C1/LCD_D15	34	LCD_D15
GPIO2_C2/LCD_D16	33	LCD_D16
GPIO2_C3/LCD_D17	32	LCD_D17
GPIO2_C4/DC2_SDA/LCD_D18	31	DC2_SDA
GPIO2_C5/DC2_SCL/LCD_D19	30	DC2_SCL
LVDS_XRES	45	
LVDS_VCC	46	VCC_LCD
LVDS_VCC	44	

Correspondence between LCDC DATA and RGB

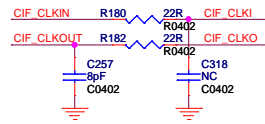
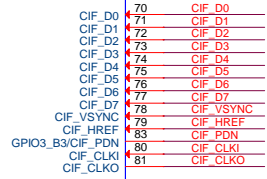
LCDC_D0	B2	LCDC_D9	G5
LCDC_D1	B3	LCDC_D10	G6
LCDC_D2	B4	LCDC_D11	G7
LCDC_D3	B5	LCDC_D12	R2
LCDC_D4	B6	LCDC_D13	R3
LCDC_D5	B7	LCDC_D14	R4
LCDC_D6	G2	LCDC_D15	R5
LCDC_D7	G3	LCDC_D16	R6
LCDC_D8	G4	LCDC_D17	R7

RK2926-A



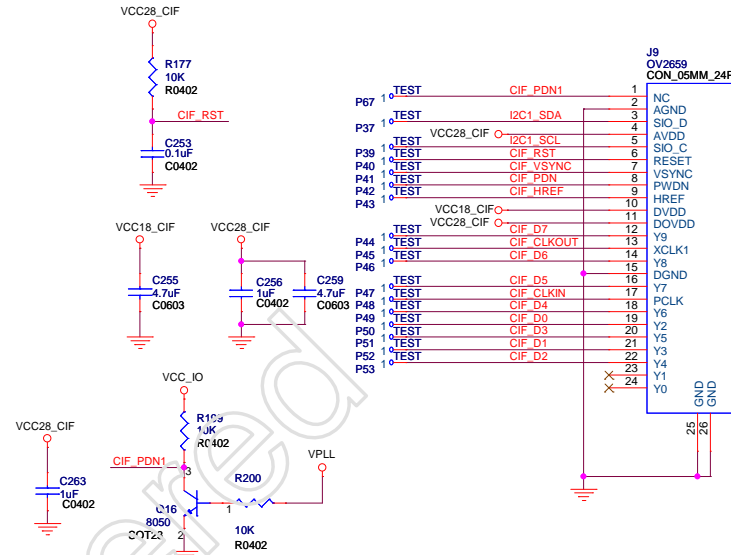
U1B
MCU_RK2926

VIP Module



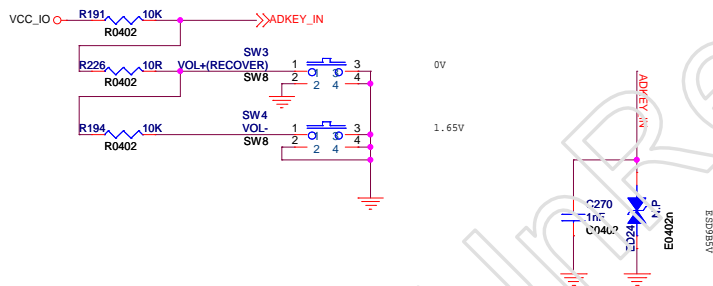
RK2926-B

I2C1_SCL << I2C1_SCL
I2C1_SDA << I2C1_SDA



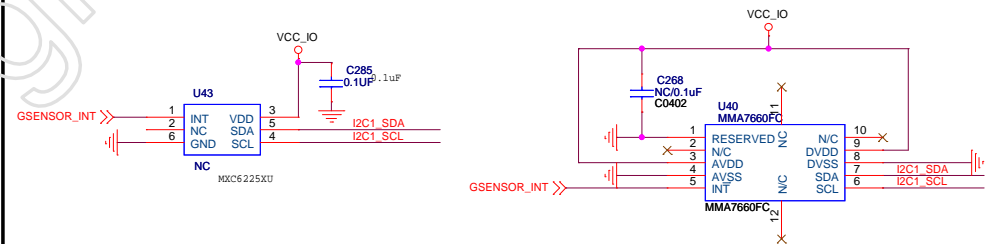
FRONT&REAR CAMERA

KEY BAORD

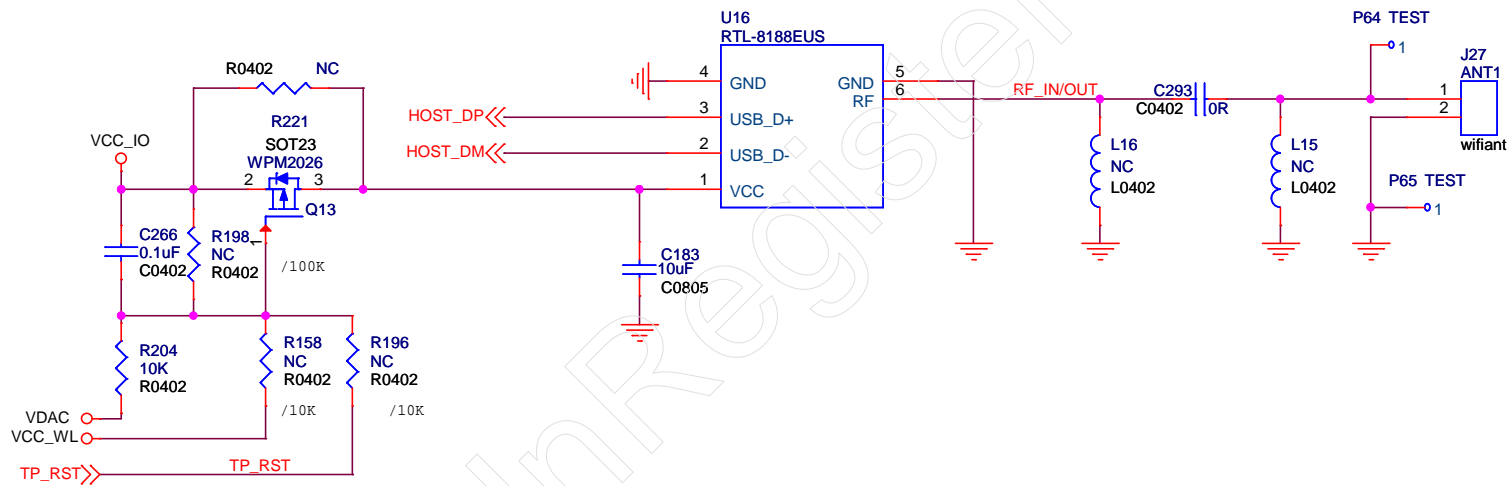


When the system power on, the Adkey_in level is 0V,
RK2928 enter into loader mode.

3D G-Sensor

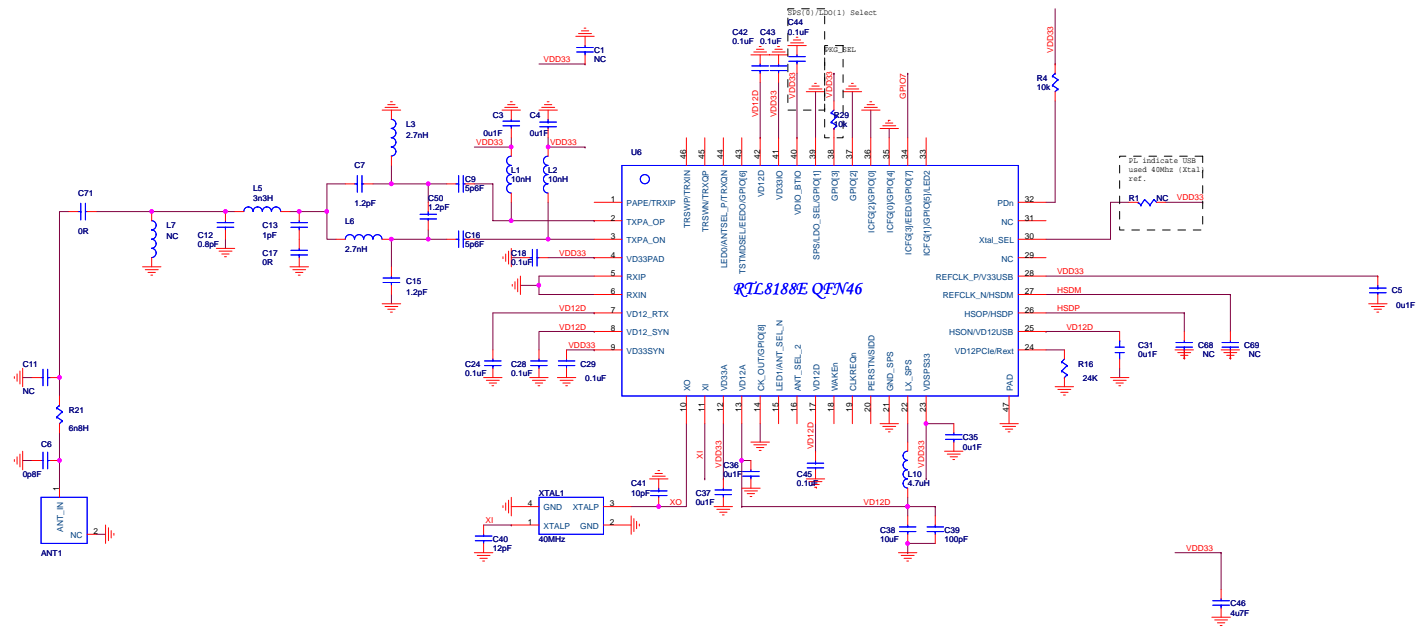


Note:
The first pin of G-sensor must be
place on the lower left corner of PCB.



 福州瑞芯微电子有限公司 瑞芯微电子	
Title: USB WIFI	
File:	REV: 1.1
Create Date: Friday, May 04, 2012	Page Num: 15
Modify Date: Monday, March 11, 2013	Page Total: 15

UD88E00-1V0	Initial	20120117
UD88E00-1V0	delete R3, R10, R11, R32, R40	20120210
UD88E00-1V0	add C30, C31	20120210
UD88E00-1V0	update ZNF matching value, L5, C1	20120325



Title		
UD88E00-1V0		
Size	Document Number	Rev
Custom-Doc-		1V0
Date:	Thursday, April 05, 2012	Sheet 1 of 1