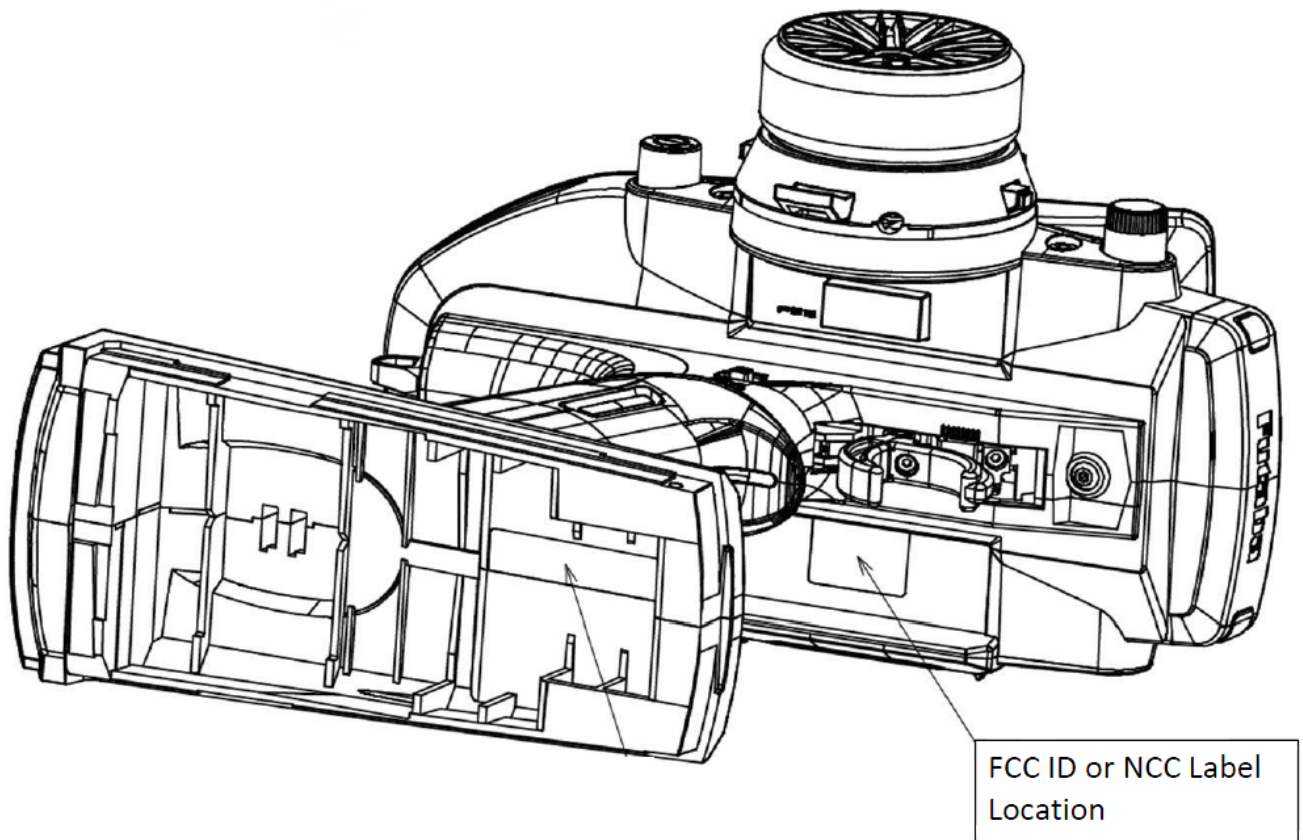


FCC ID Label Location

- Label Placement Location



FCC ID Label Placement Location

- FCC ID Label Format

FCC ID AZPT7PX-24G

This device complies with Part 15 of the FCC Rules. Operation is subject to the following two conditions: (1) this device may not cause harmful interference, and (2) this device must accept any interference received, including interference that may cause undesired operation.