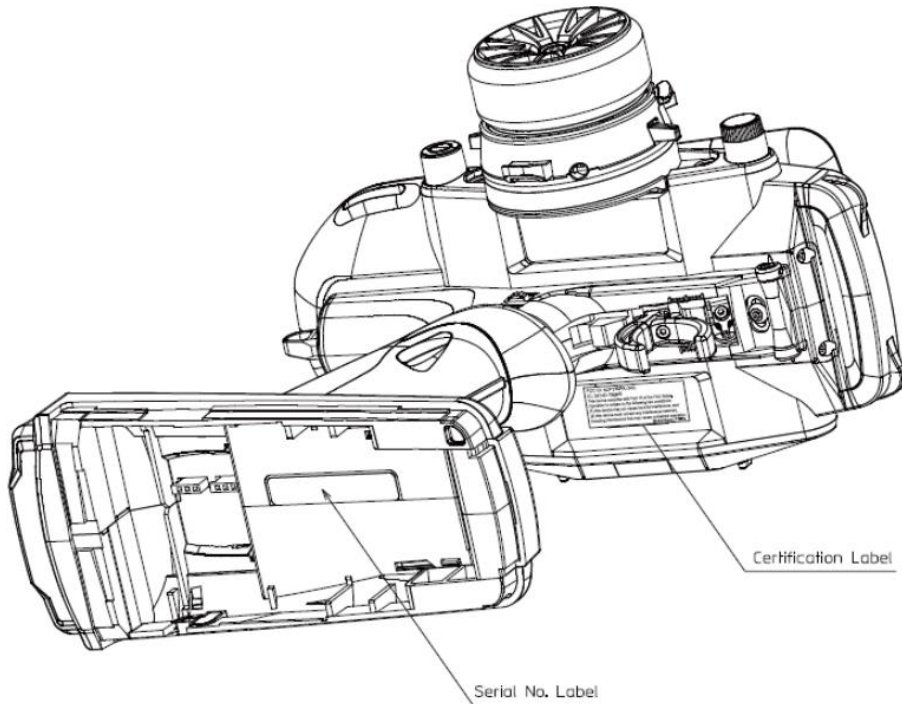


FCC ID/IC Label Location

- Label Placement Location



- FCC ID/IC Label Format

FCC ID: AZPT10PX-24G

IC: 2914D-T10PX

This device complies with Part 15 of the FCC Rules.

Operation is subject to the following two conditions:

(1) this device may not cause harmful interference, and

(2) this device must accept any interference received,

including interference that may cause undesired operation.

Model Name: T10PX