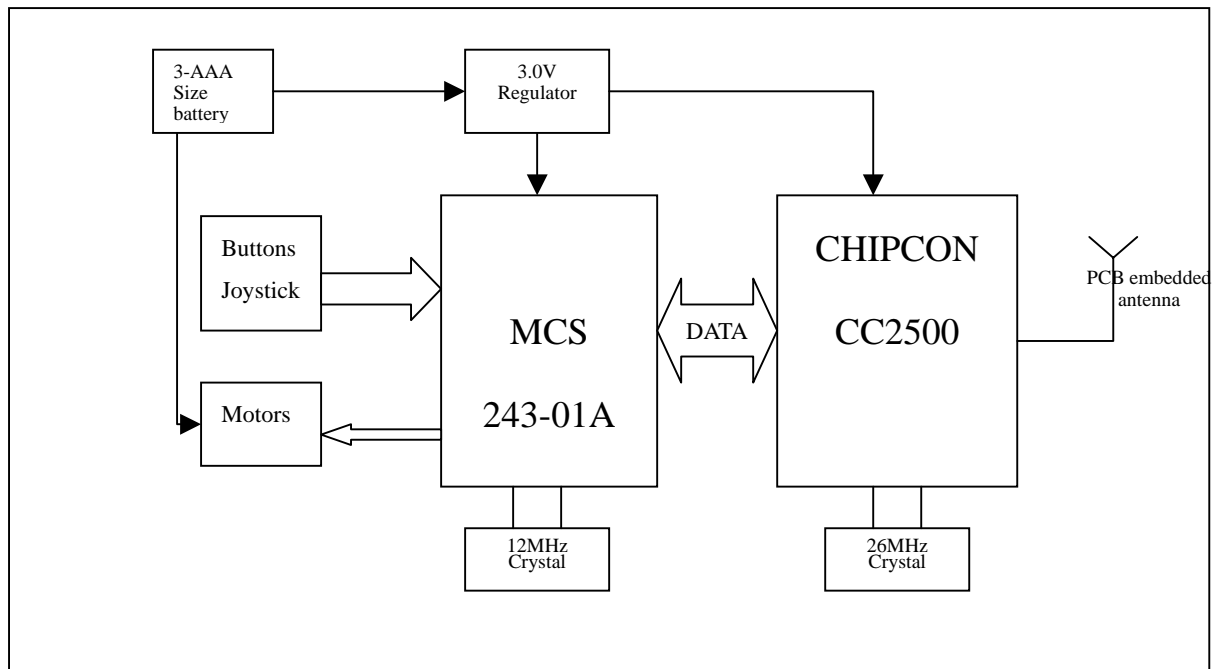


2. Controller side



Circuit Description

The 12MHz crystal oscillator drives the Host MCU to control the joystick's buttons and motors working. And the 26MHz crystal oscillator modulate IC (CC2500) to transmit the 2.4G signal to connect with receiver.

Antenna, Ground and Power Source The antenna consists of a 2cm long of the printed mass copper board. There is no external ground connection. The ground is only that of the printed circuit board.

4 AAA size batteries supply the 6V power and through regulator output 3V voltage for IC working.