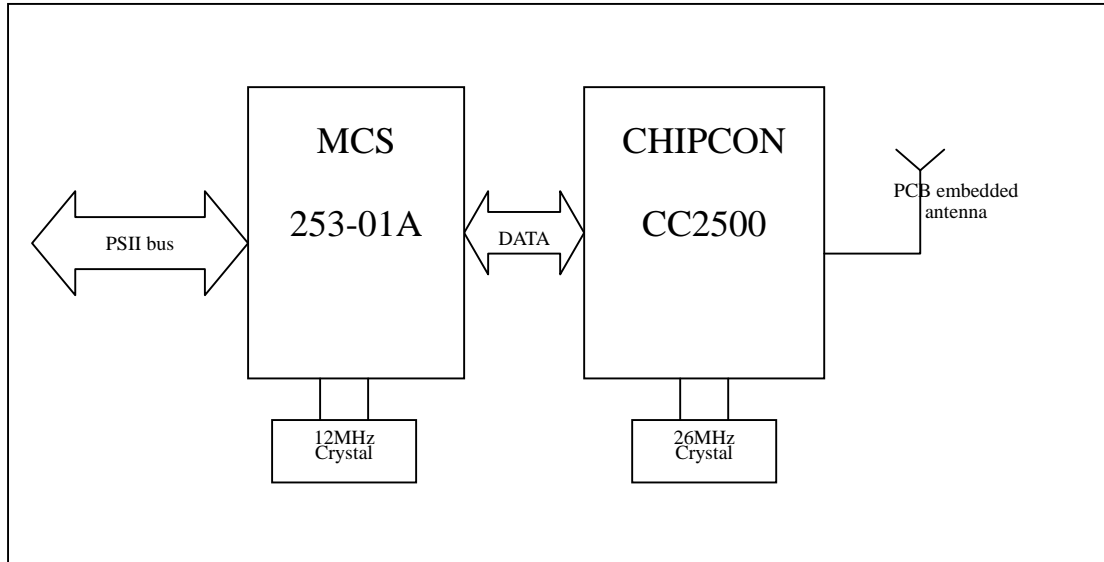


# Diagram

## 1. Host side



### Circuit Description

The 12MHz crystal oscillator drives the IC (MCS253-01A) to connect the PSII game console . And the 26MHz crystal oscillator modulate IC (CC2500) to transmit the 2.4G (2410MHz to 2470MHz) signal.

Antenna, Ground and Power Source the antenna consists of a 2cm long of the printed mass copper board. There is no external ground connection. The ground is only that of the printed circuit board.