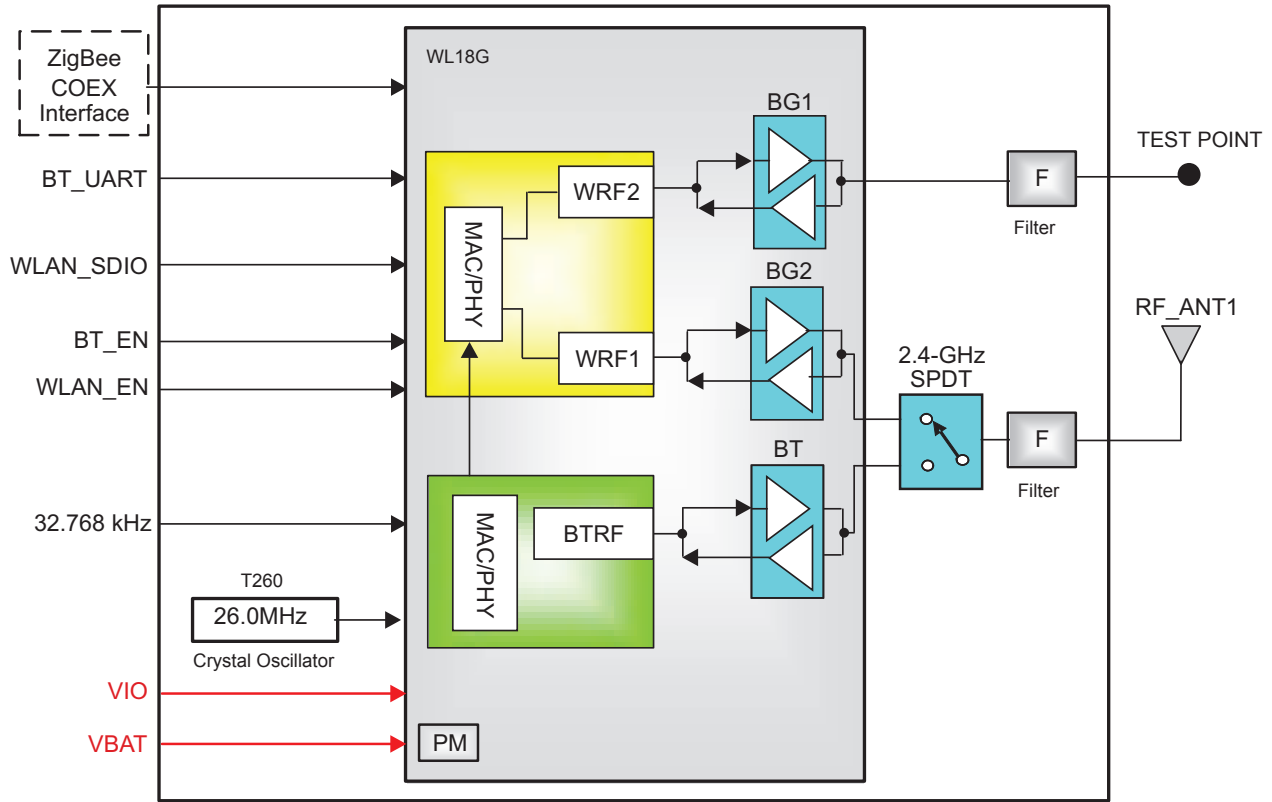


WL18MODGB Functional Block Diagram



Copyright © 2017, Texas Instruments Incorporated

NOTE: T32MZ Leverage BT conducted result from WL18MODGB (FCC ID: Z64-WL18SBMOD and IC: 4511-WL18SBMOD).

The 2.4G WLAN/BT module WL18MODGB (certified with mobile configuration), where only BT feature will be used in the aircraft controller.

Wi-Fi feature won't be used in according to the circuit designed.

LE (Bluetooth Low Energy) feature won't be used, because it has no software to driver.