

Letter Of Agency

Dec. 7,2000

Futaba Corporation
1080 Yabuzauka
Chosei, Chiba, 299-4395
Japan


American Telecommunications Certification Body, Inc.
6731 Whittier Avenue
Suite C110
McLean, VA 22101

To Whom It May Concern:

Please be advised that Futaba Corporation authorizes Senton GmbH to act on our behalf, until otherwise notified, for applications submitted to American Telecommunications Certification Body, Inc. (ATCB).

We certify that we are not subject to denial of federal benefits, that includes FCC benefits, pursuant to Section 5301 of the Anti-Drug Abuse ACT of 1988, U.S.C. 862. Further, no party, as defined in 47 CFR 1.2002(b), to the application is subject to denial of federal benefits, that includes FCC benefits.

Thank you for your attention to this matter.



Nobumitsu Kanetsuna
Product Manager
Radio Control Equipment Group
Futaba Corporation
JAPAN

Letter Of Agency

Dec. 7,2000

Futaba Corporation
1080 Yabuzauka
Chosei, Chiba, 299-4395
Japan

American Telecommunications Certification Body, Inc.
6731 Whittier Avenue
Suite C110
McLean, VA 22101

To Whom It May Concern:

Please be advised that Futaba Corporation authorizes Senton GmbH to act on our behalf, until otherwise notified, for applications submitted to American Telecommunications Certification Body, Inc. (ATCB).

We certify that we are not subject to denial of federal benefits, that includes FCC benefits, pursuant to Section 5301 of the Anti-Drug Abuse ACT of 1988, U.S.C. 862. Further, no party, as defined in 47 CFR 1.2002(b), to the application is subject to denial of federal benefits, that includes FCC benefits.

Thank you for your attention to this matter.



Nobumitsu Kanetsuna
Product Manager
Radio Control Equipment Group
Futaba Corporation
JAPAN

Manufacturer's Letter

Dec. 7, 2000

Attn:
American Telecommunications Certification Body, Inc.
6731 Whittier Avenue
Suite C110
McLean, VA 22101

Futaba Corporation
1080 Yabuzauka
Chosei, Chiba, 299-4395
Japan

RE: FRD1201U-R2 Certification Application (Scanning Receiver)
FCC ID: AZP-FRD1201U-R2

To Whom It May Concern:

Please be advised that the manufacturer will ensure that the above-referenced model will be manufactured in accordance with the FCC Rules and Regulations.

Thank you for your attention to this matter.



Nobumitsu Kanetsuna
Product Manager
Radio Control Equipment Group
Futaba Corporation
JAPAN

Manufacturer's Letter

Dec. 7, 2000

Attn:
American Telecommunications Certification Body, Inc.
6731 Whittier Avenue
Suite C110
McLean, VA 22101

Futaba Corporation
1080 Yabuzauka
Chosei, Chiba, 299-4395
Japan

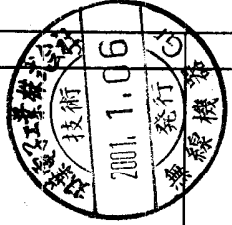
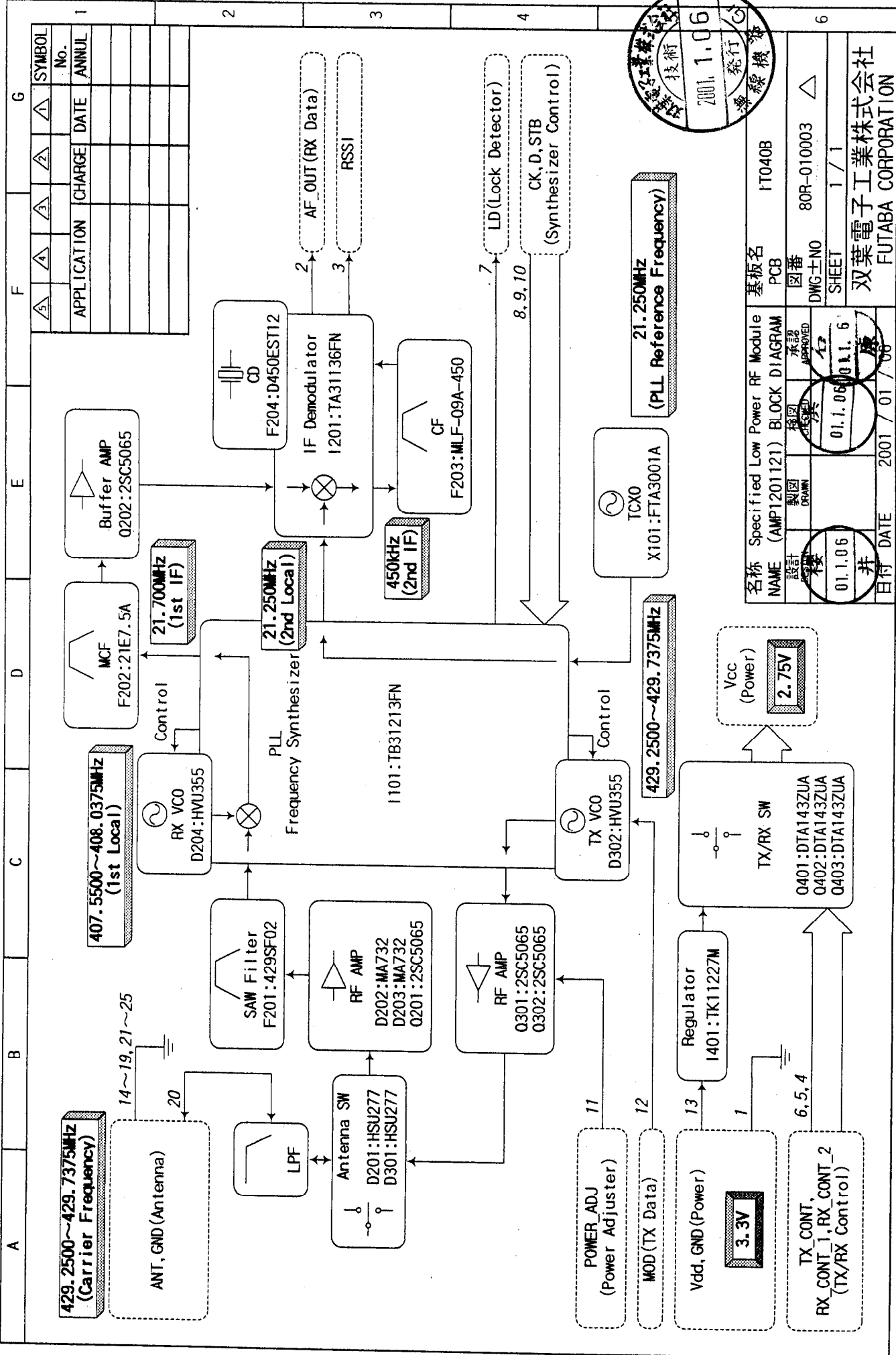
RE: FRD1201U-T2 Certification Application
FCC ID: AZP-FRD1201U-T2

To Whom It May Concern:

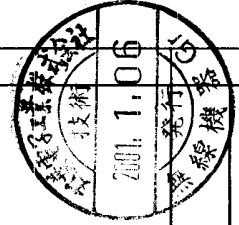
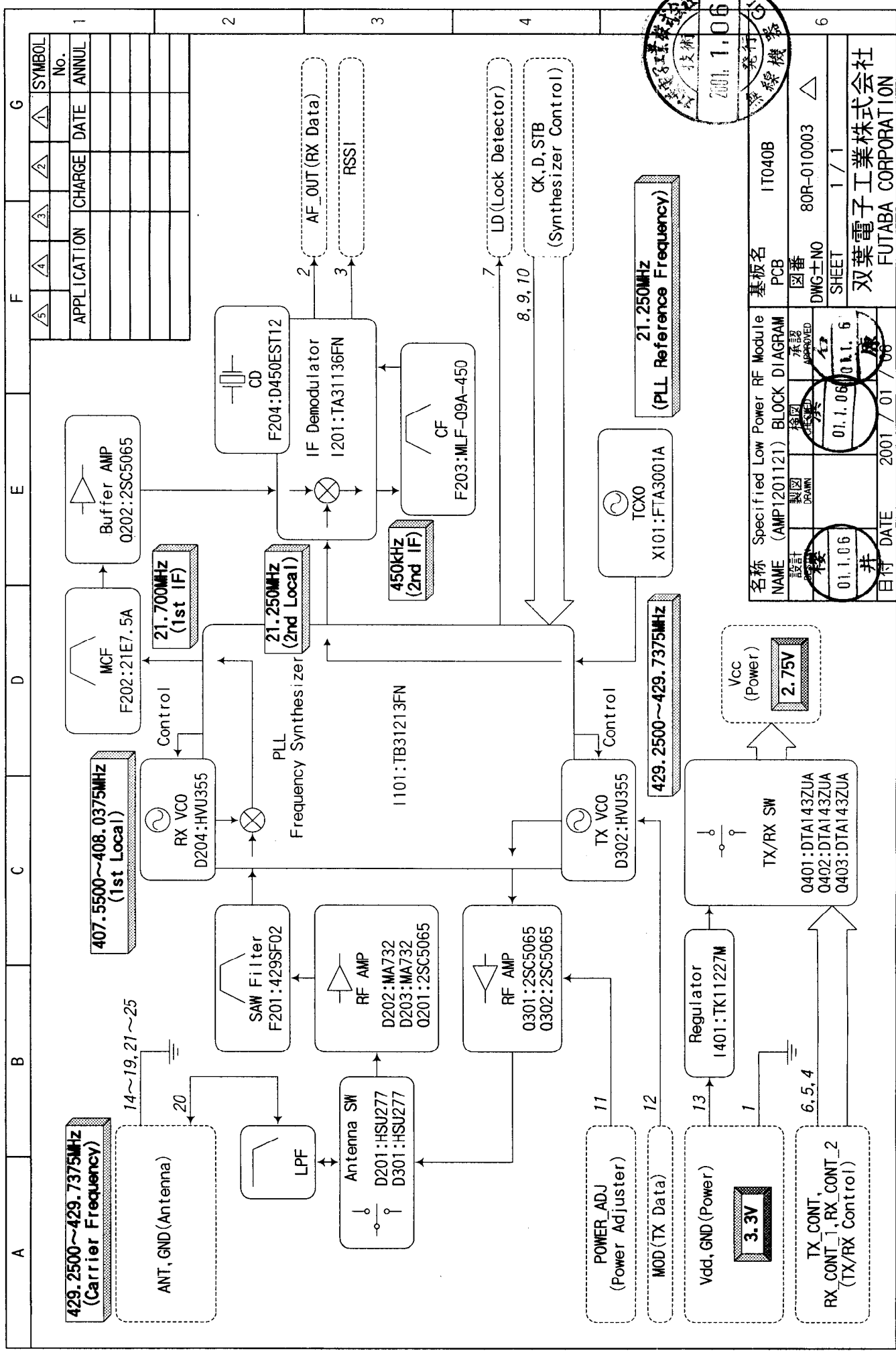
Please be advised that the manufacturer will ensure that the above-referenced model will be manufactured in accordance with the FCC Rules and Regulations.

Thank you for your attention to this matter.

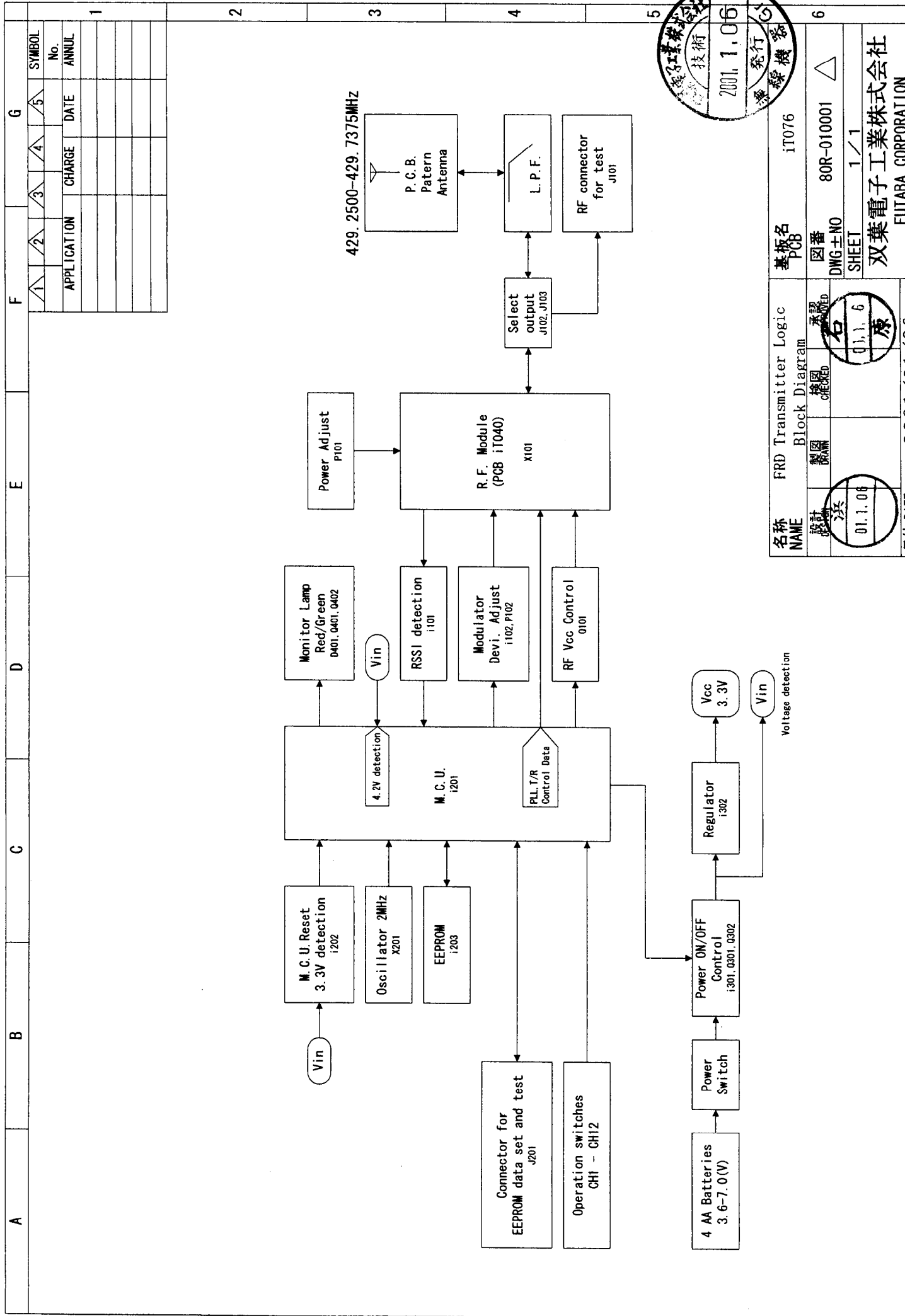

Nobumitsu Kanetsuna
Product Manager
Radio Control Equipment Group
Futaba Corporation
JAPAN



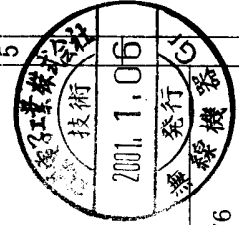
名称	Specified Low Power RF Module	基板名
NAME	(AMP1201121) BLOCK DIAGRAM	1T040B
設計	承認	PCB
校核	承認	図番
01.1.06	01.1.06	DWG ± NO
井	原	80R-010003
		SHEET
		1 / 1
日付	DATE	2001 / 01 / 06
		双葉電子工業株式会社
		FUTABA CORPORATION



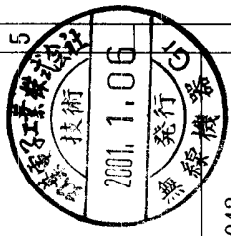
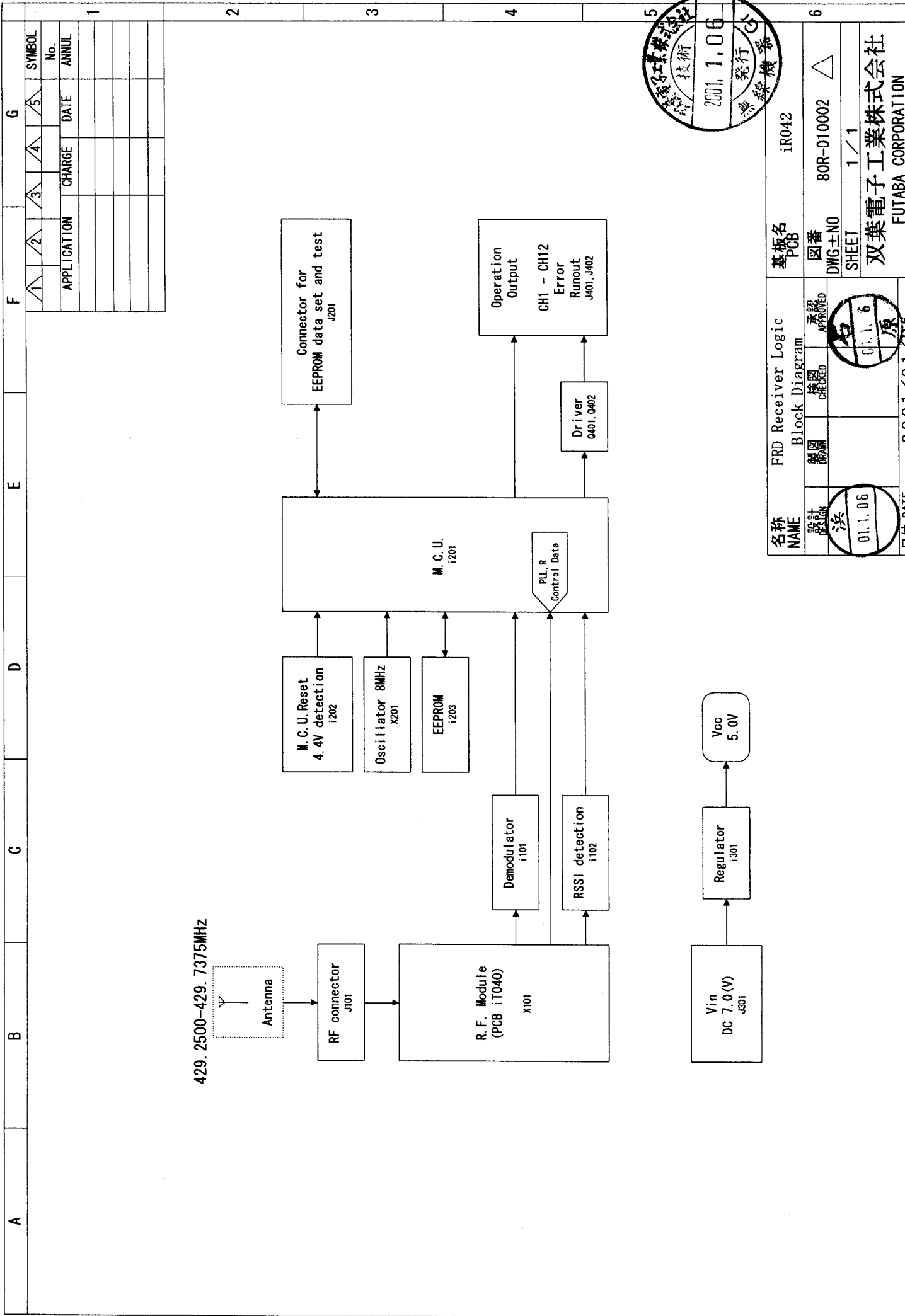
名称	Specified Low Power RF Module	基板名
名称	(AMP1201121) BLOCK DIAGRAM	IT040B
設計	描図	図番
承認	承認	DWG士NO
01.1.06	01.1.06	80R-010003
井	井	SHEET
		1 / 1
日付	DATE	2001 / 01 / 06
双葉電子工業株式会社 FUTABA CORPORATION		



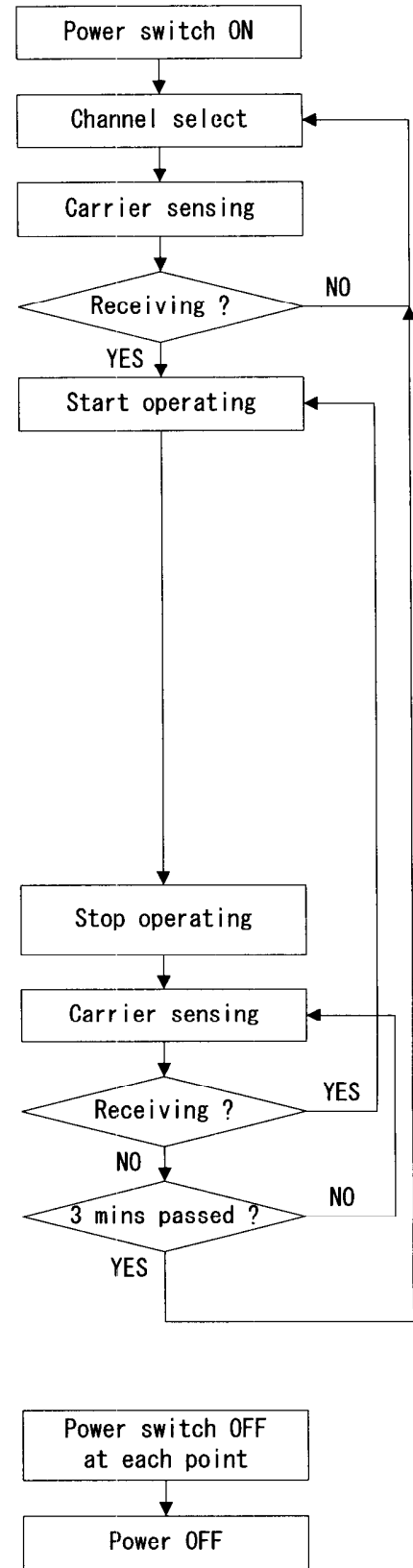
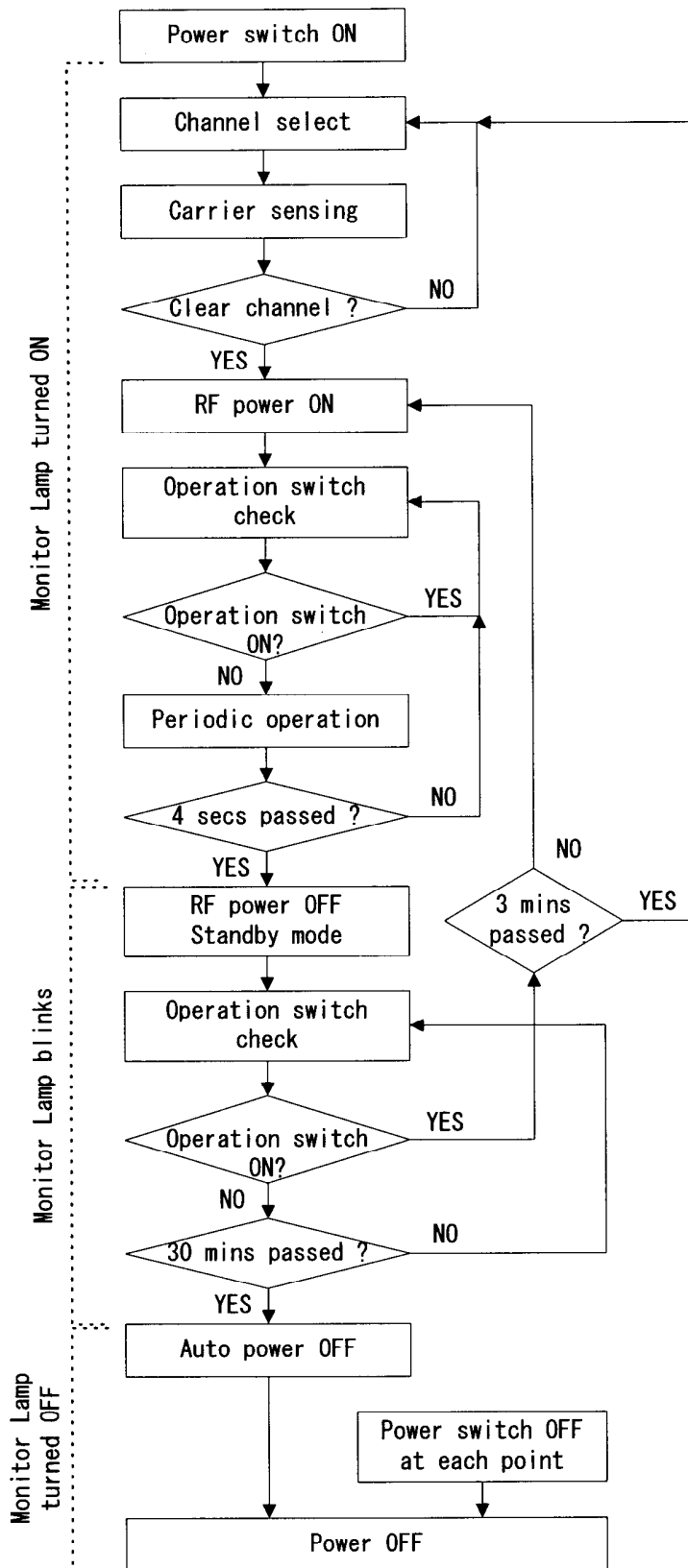
F		G	
1	2	3	4
APPLIATION	CHARGE	DATE	SYMBOL No.
			ANNUL



名称 NAME	FRD Transmitter Logic Block Diagram	基板名 PCB	iT076
設計 DESIGN	製圖 DRAWING	図番 DWG NO	80R-010001
承認 CHECKED	承認 CHECKED	SHEET	1 / 1
01.1.06			
双葉電子工業株式会社 FUTABA CORPORATION			



名称 NAME		FRD Receiver Logic Block Diagram		基板名 PCB	iR042
設計 DESIGN	製圖 DRAWING	檢圖 CHECKED	承認 APPROVED	圖番 DWG. NO.	80R-010002
法 01.1.06				SHEET	1 / 1
				双葉電子工業株式会社 FUTABA CORPORATION	



Transmitter : AZP-FRD1201U-T2

Receiver : AZP-FRD1201U-R2

Theory of Operation

