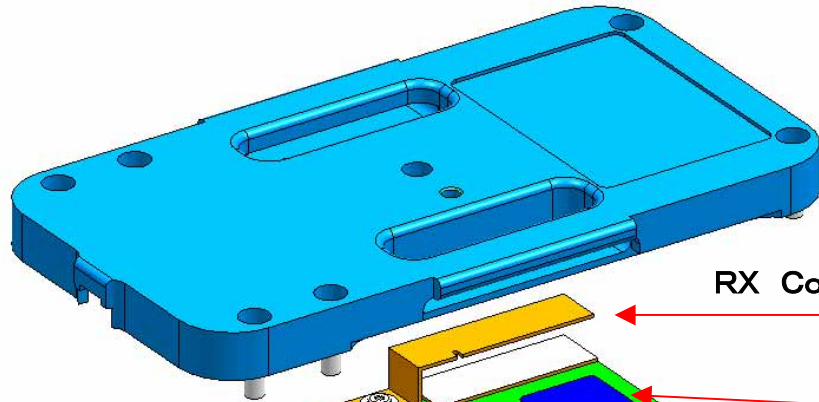


**Install Manual for RX PCB**

The following sentences are added to the label of end product.  
“Contains FCC ID : AZD5247, IC : 498J-5247”

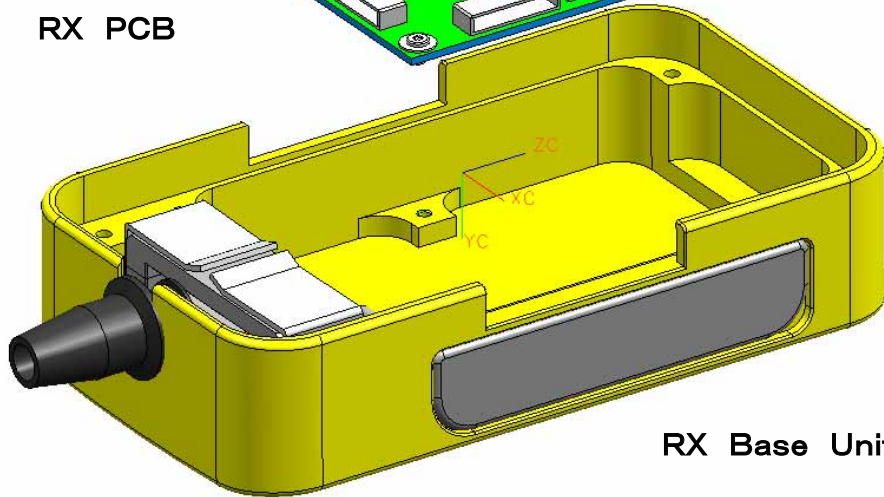


**RX Cover**

**ANTENNA**

**Bluetooth Chip**

**RX PCB**



**RX Base Unit**

**The following sentences shall be written in Operation Manual, manual to the end user.**

This transmitter must not be co-located or operated in conjunction with any other antenna or transmitter.

This equipment complies with FCC/IC radiation exposure limits set forth for an uncontrolled equipment and meets the FCC radio frequency (RF) Exposure Guidelines in Supplement C to OET65 and RSS-102 of the IC radio frequency (RF) Exposure rules. This equipment has very low levels of RF energy that are deemed to comply without testing of specific absorption ratio (SAR).