

Antenna Test Report

MANUFACTURER : **INPAQ (INPAQ TECHNOLOGY (SUZHOU) Co.,LTD.)**

EQUIPMENT : **ANTENNA**

BRAND NAME : **INPAQ**

MODEL NAME : **WIFI ANTENNA**

PART NUMBER : **MDA-LTE10LB-001**

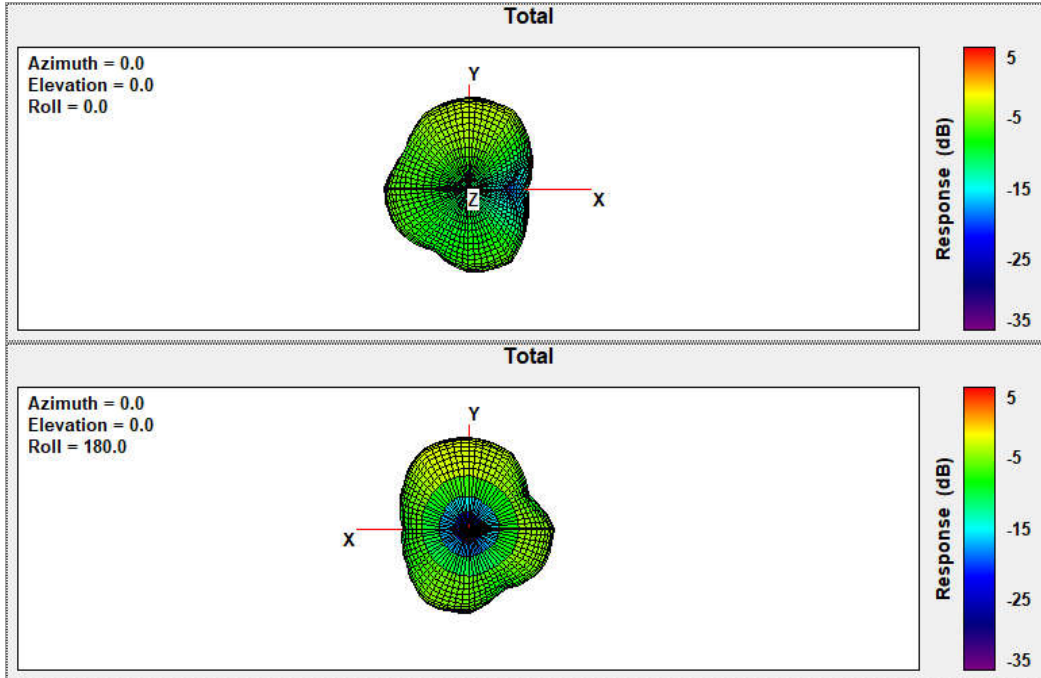
Table of Contents

- 1. 3
- 2. 4
- 3. 3

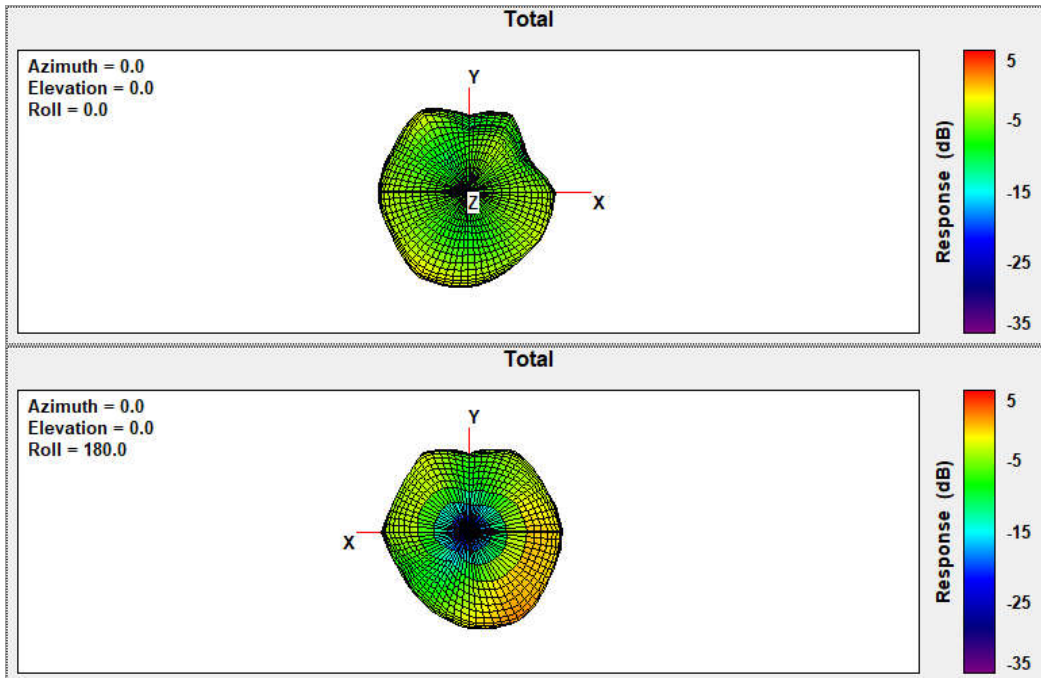
1. TX Antenna Peak Gain

Test / Position	FS				
bands	Frequency	TX Antenna Peak Gain			Average Gain (dB)
		Ant 1	Ant 2	Ant 3	Ant 1
WiFi 2.4G	2400-2500MHz	-2.4			-6.2
WiFi 5G W52	5180-5240MHz	1.8			-3.9
WiFi 5G W53	5260-5320MHz	1.5			-4.1
WiFi 5G W56	5500-5700MHz	0.4			-4.7
WiFi 5G U-NII-3	5725-5850MHz	-2.4			-6.6

2. Gain Plots

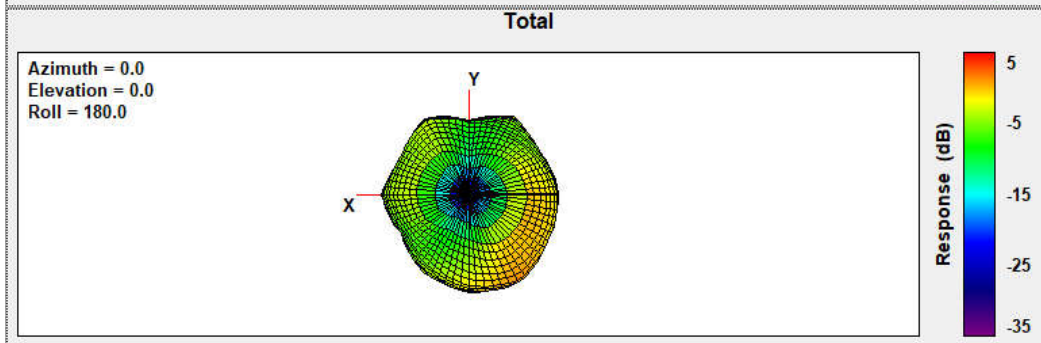
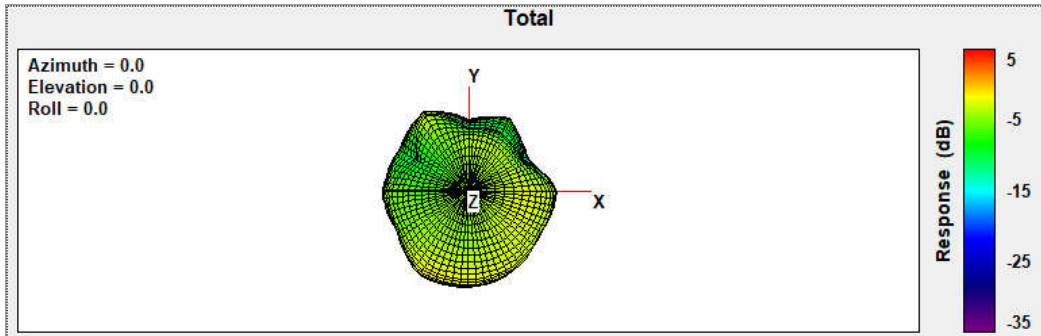


WIFI 2.4G

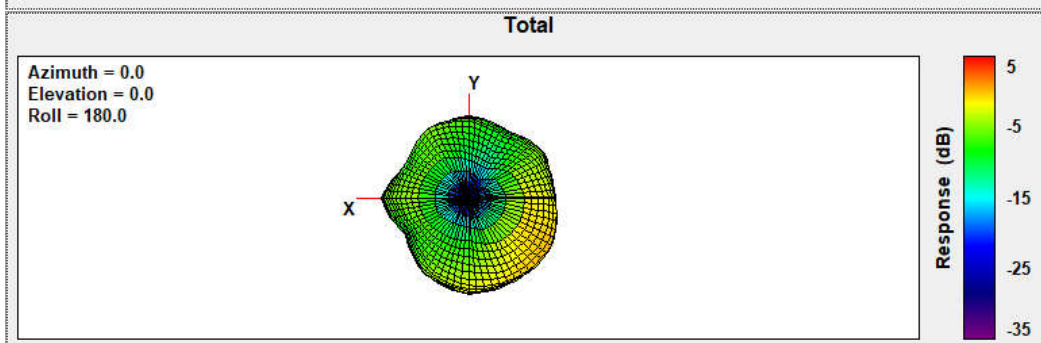
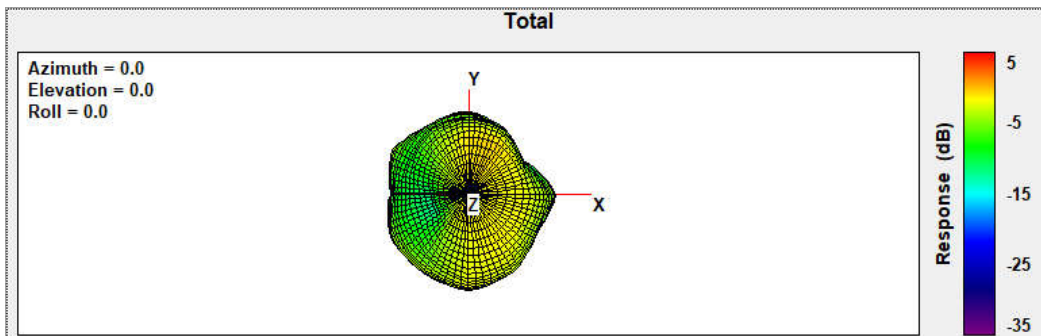


WIFI 5G W52

Antenna Report

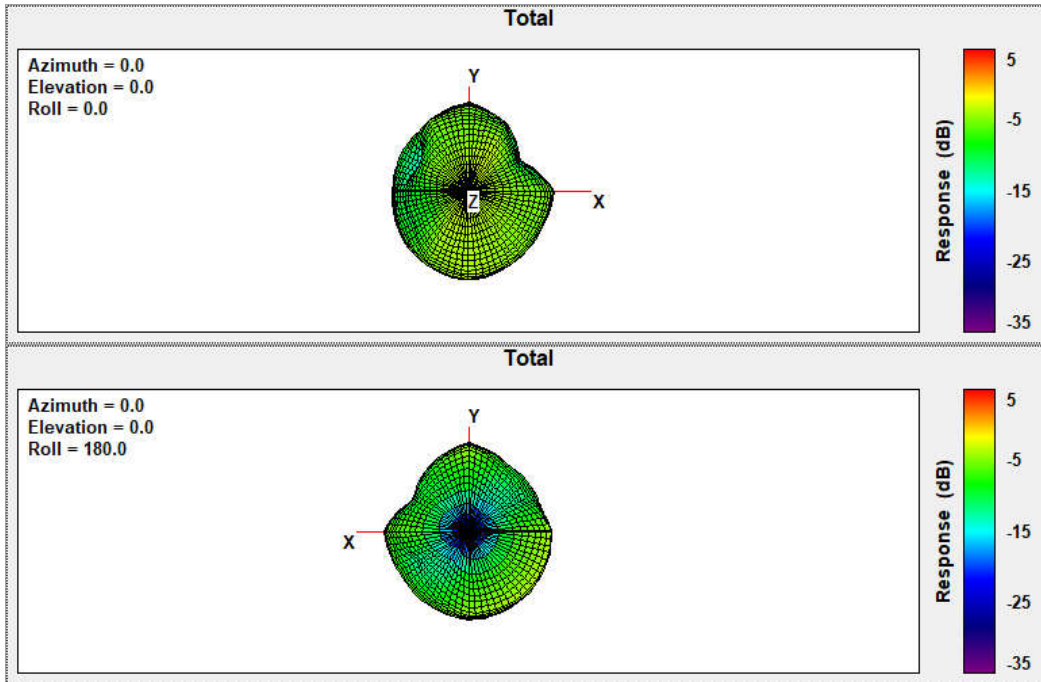


WIFI 5G W53



WIFI 5G W56

Antenna Report



WiFi 5G U-NII-3

3. Other information of antenna

Antenna manufacturer : Inpaq Technology (Suzhou) Co.,Ltd. (Address : No.5,Chunqiu Road,Panyang IndustrialParkHuangdai Town,Xiangcheng Zone,Suzhou)

Antenna model number : MDA-LTE10LB-001

Antenna Type and Antenna connector: PIFA antenna、 spring connector

Test environment :

- 1) Stand-alone:
Test equipment: ROHDE& SCHWARZ ZND
- 2) Bulding with device:
Test equipment: ETS-AMS-8923, Agilent E5071C
Test software EMQuest Data Acquisition and Analysis Software
- 3) Calibration status: last time 2023-11-6、 next time 2024-11-4

