



---

# Enhanced Single Band Mobile Radio Installation Manual

**APRIL 2020**

© 2020 Motorola Solutions, Inc. All rights reserved



MN005720A01-AB

# Contents

|  |           |
|--|-----------|
| <b>List of Figures</b> .....   | <b>7</b>  |
| <b>List of Tables</b> .....  | <b>11</b> |
| <b>Foreword</b> .....  | <b>12</b> |
| <b>Copyrights</b> .....  | <b>13</b> |
| <b>Notations Used in This Manual</b> .....                                   | <b>14</b> |
| <b>Related Publications</b> .....  | <b>15</b> |
| <b>Commercial Warranty</b> .....   | <b>16</b> |
| I. What This Warranty Covers And For How Long.....                           | 16        |
| II. General Provisions.....  | 16        |
| III. State Law Rights (Applicable Only in U.S.A.).....                       | 17        |
| IV. How To Get Warranty Service.....   | 17        |
| V. What This Warranty Does Not Cover.....                                    | 17        |
| VI. Patent And Software Provisions.....                                      | 18        |
| VII. Governing Law.....  | 18        |
| <b>Chapter 1: Introduction</b> .....   | <b>20</b> |
| 1.1 Mobile Radio Description.....  | 20        |
| 1.1.1 Dimensions.....  | 20        |
| 1.2 Standard Configurations.....   | 23        |
| 1.2.1 Dash Mount Configuration.....  | 23        |
| 1.2.2 Remote Mount Configuration.....  | 25        |
| 1.2.3 Multi Control Head.....  | 30        |
| 1.3 Motorcycle Configurations.....   | 30        |
| 1.4 Base/Control Stations.....   | 30        |
| 1.5 Tools Required for Radio Installations.....                              | 30        |
| <b>Chapter 2: Standard Configurations</b> .....                              | <b>32</b> |
| 2.1 Planning the Installation.....   | 32        |
| 2.1.1 Installation Examples.....   | 32        |
| 2.1.2 Wiring Diagrams.....   | 34        |
| 2.1.3 Radio Operation Wiring for Dash and Remote Configurations.....         | 45        |
| 2.1.3.1 Dash Mount: Power, Ignition, and Emergency Cable Installation.....   | 45        |
| 2.1.3.2 Remote Mount: Power, Ignition, and Emergency Cable Installation..... | 45        |
| 2.1.4 Ignition Sense Switch (Radio Wide Advance).....                        | 47        |
| 2.1.5 Siren/PA Configuration and Programming.....                            | 48        |
| 2.2 Radio Mounting.....  | 49        |
| 2.2.1 Dash Mount with Trunnion.....  | 50        |

|   |           |
|---|-----------|
| 2.2.2 Remote Mount with Trunnion.....                                   | 52        |
| 2.2.2.1 Remote Mount Control Head Installation.....                     | 52        |
| 2.2.2.2 Multiple Control Head Installation.....                         | 55        |
| 2.2.2.3 Cable Installation.....   | 56        |
| 2.2.2.4 Setting the Initial Control Head ID.....                        | 56        |
| 2.2.2.5 O3 Control Head and Remote Mount Cabling.....                   | 58        |
| 2.2.3 Radio Locking.....  | 60        |
| 2.2.3.1 Locking Kit.....  | 60        |
| 2.3 Power Cables (Transceiver and Control Head).....                    | 61        |
| 2.3.1 Optional Locking Feature for High-Power Chassis Power Cables..... | 61        |
| 2.3.2 O2, O3, O5, O7, O9 or E5 Control Head Power Cables.....           | 63        |
| 2.3.3 Battery Selector Switch.....                                      | 64        |
| 2.4 Antenna Installation.....   | 65        |
| 2.4.1 Antenna Installation on a Metal Body Vehicle.....                 | 65        |
| 2.4.2 Distance Between Antennas.....                                    | 66        |
| 2.4.3 Mini-UHF Connection.....  | 67        |
| 2.4.3.1 Installing Mini-UHF Connection.....                             | 68        |
| 2.4.4 GPS Antenna Placement.....  | 69        |
| 2.4.5 QMA Connection.....   | 69        |
| 2.4.6 GPS/GLONASS and Wi-Fi Antenna Connection.....                     | 70        |
| 2.5 Installing the Speaker.....   | 70        |
| 2.5.1 Internal Speaker Disassembly.....                                 | 71        |
| 2.6 Microphone Hang-Up Clip.....  | 73        |
| 2.7 RFID (Option).....  | 74        |
| 2.7.1 RFID Reading.....   | 74        |
| 2.7.2 Programming RFID (If Equipped).....                               | 76        |
| 2.8 Completing the Installation.....                                    | 77        |
| <b>Chapter 3: Universal Relay Controller Installation.....</b>          | <b>78</b> |
| 3.1 Universal Relay Controller Mounting.....                            | 78        |
| 3.2 O7/O9 Universal Relay Controller Cable Assembly.....                | 80        |
| 3.2.1 Installing the Power Cable.....                                   | 80        |
| 3.2.2 Installing Ground Cable.....                                      | 80        |
| 3.2.3 Installing the Wires.....   | 81        |
| 3.2.4 Installing the O7/O9 to URC Cable.....                            | 83        |
| <b>Chapter 4: Options and Accessories Installation.....</b>             | <b>84</b> |
| 4.1 Dash-Mount Accessory Installation.....                              | 84        |
| 4.1.1 Dash-Mount Emergency Pushbutton or Footswitch Installation.....   | 84        |
| 4.1.2 Dash-Mount Horn and Lights (External Alarms) Relays.....          | 85        |
| 4.2 Installing Remote-Mount Accessory.....                              | 85        |

|  |  |           |
|--|--|-----------|
| 4.2.1  | Installing Emergency Pushbutton or Footswitch.....                         | 86        |
| 4.2.2  | Horn (External Alarm) Relay Installation.....                              | 87        |
| 4.2.3  | Lights (External Alarm) Relay Installation.....                            | 87        |
| 4.2.4  | Gunlock Installation.....  | 87        |
| 4.2.5  | Horn-Ring Transfer.....  | 88        |
| 4.2.6  | Record Audio Out Jack of Transmit and Receive Audio.....                   | 89        |
| 4.2.7  | Earphone Jack.....   | 89        |
| 4.2.8  | USB Data Cables.....   | 89        |
| 4.2.9  | RS232 Cables.....  | 90        |
| 4.3  | Vehicle Interface Port Overview.....                                       | 90        |
| 4.3.1  | VIP Output Connections.....  | 90        |
| 4.3.2  | VIP Input Connections.....   | 92        |
| 4.4  | Compatibility of Emergency when Attaching a Siren.....                     | 92        |
| 4.5  | Accessory Connector Assembly Details (P2).....                             | 93        |
| 4.5.1  | Disassembly and Assembly.....  | 94        |
| 4.5.1.1  | Disassembly.....   | 94        |
| 4.5.1.2  | Assembly.....  | 94        |
| 4.5.2  | Adapter Cable.....   | 95        |
| 4.6  | Memory and Three-Day Secure Key Retention Option.....                      | 97        |
| <b>Chapter 5: Motorcycle Radio Installation.....</b> |  | <b>98</b> |
| 5.1  | Motorcycle Radio Description.....  | 98        |
| 5.1.1  | Transceiver Enclosure.....   | 98        |
| 5.1.2  | Control/Display Unit.....  | 98        |
| 5.1.3  | Control Head Cable.....  | 98        |
| 5.1.4  | Microphone.....  | 99        |
| 5.1.5  | External Speaker.....  | 99        |
| 5.1.6  | Headset Capability.....  | 99        |
| 5.1.7  | Antenna.....   | 99        |
| 5.1.8  | Ignition Sense (ACC) Wire.....   | 99        |
| 5.2  | Installation Overview.....   | 99        |
| 5.2.1  | Important Installation Hints.....  | 100       |
| 5.2.2  | Parts Identification.....  | 101       |
| 5.2.3  | Order of Installation.....   | 101       |
| 5.3  | Universal Mounting Plate.....  | 102       |
| 5.3.1  | Installing the Universal Mounting Plate.....                               | 102       |
| 5.4  | Speaker and Control Head Installation.....                                 | 103       |
| 5.4.1  | Handlebar Installation with Speaker and Control Head Mounted Together..... | 103       |
| 5.4.1.1  | Installing Handlebar with Speaker and Control Head Mounted Together.....   | 104       |

|  |            |
|--|------------|
| 5.4.2 Fuel Tank Console Installation with Speaker and Control Head Mounted Together.....   | 105        |
| 5.4.3 Handlebar Installation with Speaker and Control Head Mounted Separately.....         | 106        |
| 5.4.3.1 Installing Handlebar with Speaker and Control Head Mounted Separately.....         | 107        |
| 5.4.4 Fuel Tank Console Installation with Speaker and Control Head Mounted Separately..... | 107        |
| 5.5 Installing the Speaker.....  | 109        |
| 5.6 Microphone Hang-Up Clip Installation.....  | 109        |
| 5.6.1 Extension Bracket Mounting.....  | 109        |
| 5.6.2 Speaker/Control Head Bracket Side Mounting.....                                      | 110        |
| 5.6.3 Other Hang-Up Clip Mounting.....   | 110        |
| 5.7 Installing Antenna Base and Cables.....  | 110        |
| 5.8 Installing the Antenna.....  | 113        |
| 5.9 Cable Routing.....   | 113        |
| 5.10 Installing the Weather-Resistant Enclosure.....                                       | 115        |
| 5.11 Transceiver and Cabling Installation.....   | 116        |
| 5.11.1 Installing Cabling in the Enclosure.....  | 117        |
| 5.11.2 Installing the Transceiver.....   | 118        |
| 5.12 Installing the Emergency Switch Option.....   | 120        |
| 5.13 Installing the External Alarm Relay Option.....                                       | 120        |
| 5.14 Installing the Headset Accessory.....   | 120        |
| 5.15 Installing the O5 and E5 Control Head Sunshield.....                                  | 121        |
| 5.16 Horn/Lights Wiring.....   | 123        |
| 5.17 Emergency Switch Wiring.....  | 124        |
| <b>Chapter 6: Finishing the Installation.....</b>  | <b>125</b> |
| 6.1 Cable Connection.....  | 125        |
| 6.1.1 Connecting the Cables for O2 Control Head.....                                       | 125        |
| 6.1.2 Connecting the Cables for O3 Control Head.....                                       | 125        |
| 6.1.3 Connecting the Cables for O5, E5 and O7 Control Heads.....                           | 126        |
| 6.1.4 Connecting the Cables for O9 Control Head.....                                       | 126        |
| 6.2 Dust Cover Installation.....   | 126        |
| 6.3 Miscellaneous Information.....   | 128        |
| <b>Chapter 7: Best Practices: Installation and Troubleshooting.....</b>                    | <b>129</b> |
| 7.1 Checking the Wiring of Ignition and Radio Ignition Sensing.....                        | 129        |
| 7.2 Checking the Physical Installation of Radio Ground and Radio Accessory Wiring.....     | 130        |
| 7.3 Improving the Electrical Quality of the Power and Ignition Lines.....                  | 130        |
| 7.4 Minimizing the Effect of Poorly Grounded Antennas.....                                 | 131        |
| 7.5 Jump-Starting the Vehicle.....   | 131        |
| 7.6 Eliminating Noise/Howling from PA Speaker.....   | 131        |

|   |            |
|---|------------|
| <b>Appendix A: Replacement Parts Ordering</b> ..... | <b>132</b> |
| A.1 Service Information.....                        | 133        |
| A.2 Service Information – APAC.....                 | 134        |
| <b>Glossary</b> .....                               | <b>137</b> |

# List of Figures

|  |    |
|--|----|
| Figure 1: Front and Side View of O5 Control Head with Dash Mount Transceiver and Trunion.....  | 20 |
| Figure 2: Front and Side View of E5 Control Head with Dash Mount Transceiver and Trunion.....  | 20 |
| Figure 3: Front and Side View of O2 Control Head with Dash Mount Transceiver and Trunion.....  | 21 |
| Figure 4: Front and Side View of O7 Control Head with Dash Mount Transceiver and Trunion.....  | 21 |
| Figure 5: Front and Side View of O3 Control Head with Coiled Cable.....  | 21 |
| Figure 6: Front and Side View of O2 Control Head with Remote Mount and Trunion.....  | 22 |
| Figure 7: Front and Side View of O5 Control Head with Remote Mount and Trunion.....  | 22 |
| Figure 8: Front and Side View of E5 Control Head with Remote Mount and Trunion.....  | 22 |
| Figure 9: Front and Side View of O7 Control Head with Remote Mount and Trunion.....  | 22 |
| Figure 10: Front and Side View of O9 Control Head with Trunion.....  | 23 |
| Figure 11: Top and Side View of O9 Universal Relay Controller (URC) with Trunion (URC is an orderable accessory).....                                | 23 |
| Figure 12: Dash Mount Configuration for O2 Control Head.....   | 24 |
| Figure 13: Dash Mount Configuration for O3 Control Head.....   | 24 |
| Figure 14: Dash Mount Configuration for O5 Control Head.....   | 24 |
| Figure 15: Dash Mount Configuration for E5 Control Head.....   | 25 |
| Figure 16: Dash Mount Configuration for O7 Control Head.....   | 25 |
| Figure 17: Remote Mount Configuration with Mid Power Transceiver, Transceiver Interface Board, CHIB Rear Assembly, and O2 Control Head.....          | 26 |
| Figure 18: Remote Mount Configuration with Mid Power Transceiver, Transceiver Interface Board, and O3 Control Head.....                              | 26 |
| Figure 19: Remote Mount Configuration with Mid Power Transceiver, Transceiver Interface Board, CHIB Rear Assembly, and O5 Control Head.....          | 27 |
| Figure 20: Remote Mount Configuration with Mid Power Transceiver, Transceiver Interface Board, CHIB Rear Assembly, and E5 Control Head.....          | 27 |
| Figure 21: Remote Mount Configuration with Mid Power Transceiver, Transceiver Interface Board, CHIB Rear Assembly, and O7 Control Head.....          | 28 |
| Figure 22: Remote Mount Configuration with Mid Power Transceiver, Transceiver Interface Board, and O9 Control Head.....                              | 28 |
| Figure 23: Remote Mount Configuration with Mid Power Radio Transceiver, Universal Relay Controller (URC), and O7 Control Head (URC is optional)..... | 29 |
| Figure 24: Remote Mount Configuration with Mid Power Radio Transceiver, Universal Relay Controller (URC), and O9 Control Head (URC is optional)..... | 29 |
| Figure 25: Dash Mount Installation.....  | 32 |
| Figure 26: Remote Mount Installation.....  | 33 |
| Figure 27: Remote Mount Installation for Radio with O9 Control Head and Universal Relay Controller (URC is optional).....                            | 33 |
| Figure 28: Radio Installation (O2 Dash Mount).....   | 34 |
| Figure 29: Radio Installation (O3 Dash Mount).....   | 35 |

|   |    |
|---|----|
| Figure 30: Radio Installation (O5 Dash Mount).....  | 35 |
| Figure 31: Radio Installation (E5 Dash Mount).....  | 36 |
| Figure 32: Radio Installation (O7 Dash Mount).....  | 36 |
| Figure 33: Radio Installation (O2 Remote Mount).....  | 37 |
| Figure 34: Radio Installation (O3 Remote Mount).....  | 37 |
| Figure 35: Radio Installation (O5 Remote Mount).....  | 38 |
| Figure 36: Radio Installation (E5 Remote Mount).....  | 38 |
| Figure 37: Radio Installation (O7 Remote Mount).....  | 39 |
| Figure 38: Radio Installation of O9 Remote Mount with Transceiver (URC is optional).....  | 39 |
| Figure 39: Radio Installation (O9 Remote Mount with Pinouts).....   | 40 |
| Figure 40: Remote Control Head Pinouts.....   | 41 |
| Figure 41: Cabling Interconnect Diagram for Dash Mount .....  | 42 |
| Figure 42: Cabling Interconnect Diagram for Remote Mount.....   | 43 |
| Figure 43: Cabling Interconnect Diagram for O9 Remote Mount (URC is optional).....  | 44 |
| Figure 44: Enhanced Single Band Mobile Radio Trunnion Orientation.....  | 50 |
| Figure 45: Transmission Hump Trunnion Mounting.....   | 51 |
| Figure 46: Below Dash Trunnion Mounting.....  | 51 |
| Figure 47: O5 Control Head Installation Exploded View (Also applicable for O2, O7 and E5<br>Control Heads).....                       | 53 |
| Figure 48: O9 Control Head Installation Exploded View.....  | 54 |
| Figure 49: O5 Control Head Rear View (Also applicable for O2, O7 and E5 Control Heads).....   | 55 |
| Figure 50: O9 Control Head Rear View.....   | 55 |
| Figure 51: APX Mobile O5 Control Head Front View.....   | 57 |
| Figure 52: Radio Display with Current Control Head ID.....  | 57 |
| Figure 53: APX Mobile O5 Control Head Front View – Mode Knob.....   | 57 |
| Figure 54: O3 Control Head.....   | 58 |
| Figure 55: O3 Control Head Rear View.....   | 59 |
| Figure 56: Hang-Up Clip Installation Exploded View.....   | 59 |
| Figure 57: Locking Kit (Optional).....  | 60 |
| Figure 58: Inserting DC Cable to the Radio.....   | 61 |
| Figure 59: Installing the Locking Bracket.....  | 62 |
| Figure 60: Bracket Installation (Assembled State).....  | 62 |
| Figure 61: Bracket Uninstallation (1 of 2).....   | 62 |
| Figure 62: Bracket Uninstallation (2 of 2).....   | 63 |
| Figure 63: HKN6188_ Power Cable with External Speaker Connector.....  | 63 |
| Figure 64: HKN6187_ Power Cable with External Speaker Connector, Record Audio Output Jack<br>(2.5 mm) and Earphone Jack (2.5 mm)..... | 64 |
| Figure 65: Battery Selector Switch.....   | 65 |
| Figure 66: Multiple Antennas Separation for locations 1–6.....  | 66 |
| Figure 67: Mini-UHF Connection .....  | 68 |



|  |     |
|--|-----|
| Figure 68: Mini-UHF Connector Tool.....  | 69  |
| Figure 69: GPS/GLONASS and Wi-Fi Antenna Connector on the radio.....                             | 70  |
| Figure 70: Speaker Mounting.....   | 71  |
| Figure 71: Removing the screws on the Control Head.....  | 72  |
| Figure 72: Removing the Control Head.....  | 72  |
| Figure 73: Disconnecting the Speaker Connector.....  | 73  |
| Figure 74: Reattaching the Control Head.....   | 73  |
| Figure 75: RFID Location.....  | 74  |
| Figure 76: Read Angle for Enhanced Single Band Mobile Radio.....                                 | 74  |
| Figure 77: Tag Angle for Enhanced Single Band Mobile Radio.....                                  | 75  |
| Figure 78: Examples of Reader and Tag Aligned (Reader Orientation).....                          | 75  |
| Figure 79: Example of Reader and Tag Misalignment (Reader Orientation).....                      | 75  |
| Figure 80: Universal Relay Controller Orientation.....   | 78  |
| Figure 81: Universal Relay Controller Installation Exploded View.....                            | 79  |
| Figure 82: Power and Ground Cable Glands.....  | 81  |
| Figure 83: Cable Gland Assembly with Gasket.....   | 81  |
| Figure 84: Wires Installation.....   | 82  |
| Figure 85: Wire Installation with Black Stick.....   | 82  |
| Figure 86: O7/O9 to URC Cable Installation.....  | 83  |
| Figure 87: Emergency Switch Wiring Diagram.....  | 84  |
| Figure 88: Horn/Light Wiring Diagram.....  | 85  |
| Figure 89: Emergency Jumper Removal in Remote Mount.....   | 86  |
| Figure 90: Gunlock Switch Redundancy Diagram.....  | 88  |
| Figure 91: Siren/PA Horn-Ring Connections.....   | 89  |
| Figure 92: Remote Control Head Pinouts.....  | 90  |
| Figure 93: HKN6196_ VIP Connector Detail.....  | 90  |
| Figure 94: Relay Coil.....   | 91  |
| Figure 95: Field adjustment for Emergency Operation with Siren Accessory.....                    | 92  |
| Figure 96: Location for Pin 8.....   | 93  |
| Figure 97: Exploded View of Accessory Connector Assembly (HLN6863_).....                         | 95  |
| Figure 98: Rear Accessory Connector Audio Configuration.....                                     | 96  |
| Figure 99: Rear Accessory Connector Data Configuration.....                                      | 96  |
| Figure 100: Universal Mounting Plate Installation (Part of Radio Enclosure Kit).....             | 102 |
| Figure 101: Motorcycle Control Head Cabling (3075217A01).....                                    | 103 |
| Figure 102: Handlebar Installation with Speaker and Control Head Mounted Together.....           | 104 |
| Figure 103: Fuel Tank Console Installation with Speaker and Control Head Mounted Together.....   | 105 |
| Figure 104: Handlebar Installation with Speaker and Control Head Mounted Separately.....         | 106 |
| Figure 105: Fuel Tank Console Installation with Speaker and Control Head Mounted Separately..... | 108 |
| Figure 106: Location of Antenna Port.....  | 111 |

|  |     |
|--|-----|
| Figure 107: Enhanced Single Band Mobile Radio Antenna Band Identification..... | 111 |
| Figure 108: Routing the Coaxial Cable for GPS/Wi-Fi.....                       | 112 |
| Figure 109: Routing the Coaxial Cable for Antenna.....                         | 112 |
| Figure 110: Cable Routing.....   | 114 |
| Figure 111: Weather-Resistant Enclosure Installation.....                      | 116 |
| Figure 112: Installing Cables.....   | 117 |
| Figure 113: Installing the Transceiver.....                                    | 119 |
| Figure 114: Motorcycle Wiring Harness Rework.....                              | 121 |
| Figure 115: Remote Mount Trunnion with Sunshield.....                          | 121 |
| Figure 116: Position the Sunshield.....  | 122 |
| Figure 117: Slide the Control Head onto Trunnion.....                          | 122 |
| Figure 118: Position Control Head as Desired.....                              | 123 |
| Figure 119: Horn/Lights Wiring Diagram.....                                    | 123 |
| Figure 120: Emergency Switch Wiring Diagram.....                               | 124 |
| Figure 121: Dust Cover Installation Locations.....                             | 127 |

# List of Tables

|   |     |
|---|-----|
| Table 1: Tools Required for Radio Installations.....  | 30  |
| Table 2: Dash O2, O3, O5, O7, or O9 Radio Operations Dependent Upon A+ and Ignition Connections.....                    | 46  |
| Table 3: Remote O2, O3, O5, E5, O7, or O9 Radio Operations Dependent Upon A+ and Ignition Connections.....              | 46  |
| Table 4: Remote O2, O3, O5, E5, O7, or O9 Radio Operations Dependent Upon A+ and Ignition Connections.....              | 46  |
| Table 5: Ignition Sense Switch Settings in CPS.....   | 47  |
| Table 6: Power Level Configurations.....  | 49  |
| Table 7: Mid Power Trunnion Kit.....  | 51  |
| Table 8: Available CAN Cables.....  | 56  |
| Table 9: Ignition Interface Cables.....   | 56  |
| Table 10: Power Cables.....   | 61  |
| Table 11: Model Number Chart in 12-Digit ASCII Format.....  | 76  |
| Table 12: Serial Number with Radio Band/Tier/Power.....   | 76  |
| Table 13: VIP Output Connections.....   | 91  |
| Table 14: VIP Input Connections.....  | 92  |
| Table 15: Adapter Cable.....  | 95  |
| Table 16: Transceiver Installation Parts List.....  | 119 |
| Table 17: Service Information – Telephone Numbers and Addresses of the Asia and Pacific Motorola Solutions Centers..... | 134 |

# Foreword

This manual includes all the information necessary to maintain peak product performance and maximum working time, using levels 1 and 2 maintenance procedures.



**CAUTION:** These servicing instructions are for the use of qualified personnel only. To reduce the risk of electric shock, do not service parts other than those contained in the Operating Instructions unless you are qualified to do so. Refer all servicing to qualified service personnel.

# Copyrights

The Motorola Solutions products described in this document may include copyrighted Motorola Solutions computer programs. Laws in the United States and other countries preserve for Motorola Solutions certain exclusive rights for copyrighted computer programs. Accordingly, any copyrighted Motorola Solutions computer programs contained in the Motorola Solutions products described in this document may not be copied or reproduced in any manner without the express written permission of Motorola Solutions.

© 2020 Motorola Solutions, Inc. All Rights Reserved

No part of this document may be reproduced, transmitted, stored in a retrieval system, or translated into any language or computer language, in any form or by any means, without the prior written permission of Motorola Solutions, Inc.

Furthermore, the purchase of Motorola Solutions products shall not be deemed to grant either directly or by implication, estoppel or otherwise, any license under the copyrights, patents or patent applications of Motorola Solutions, except for the normal non-exclusive, royalty-free license to use that arises by operation of law in the sale of a product.

## Disclaimer

Please note that certain features, facilities, and capabilities described in this document may not be applicable to or licensed for use on a specific system, or may be dependent upon the characteristics of a specific mobile subscriber unit or configuration of certain parameters. Please refer to your Motorola Solutions contact for further information.

## Trademarks

MOTOROLA, MOTO, MOTOROLA SOLUTIONS, and the Stylized M Logo are trademarks or registered trademarks of Motorola Trademark Holdings, LLC and are used under license. All other trademarks are the property of their respective owners.

## European Union (EU) Waste of Electrical and Electronic Equipment (WEEE) directive



■ The European Union's WEEE directive requires that products sold into EU countries must have the crossed out trash bin label on the product (or the package in some cases).

As defined by the WEEE directive, this cross-out trash bin label means that customers and end-users in EU countries should not dispose of electronic and electrical equipment or accessories in household waste.

Customers or end-users in EU countries should contact their local equipment supplier representative or service centre for information about the waste collection system in their country.

# Notations Used in This Manual

Throughout the text in this publication, you will notice the use of warning, caution, and notice notations. These notations are used to emphasize that safety hazards exist, and due care must be taken and observed.



**WARNING:** WARNING indicates a potentially hazardous situation which, if not avoided, could result in death or injury.



**CAUTION:** CAUTION indicates a potentially hazardous situation which, if not avoided, might result in equipment damage.



**NOTICE:** NOTICE indicates an operational procedure, practice, or condition that is essential to emphasize.

## Related Publications

The following list contains part numbers and titles of related publications.

- 68012006035, *ASTRO APX Mobile Radio O2 Control Head User Guide*
- 6875946M01, *ASTRO APX Mobile Radio O3 Control Head User Guide*
- 6875947M01, *ASTRO APX Mobile Radio O5 Control Head User Guide*
- 68012006034, *ASTRO APX Mobile Radio O7 Control Head User Guide*
- 68007024014, *ASTRO APX Mobile Radio O9 Control Head User Guide*
- MN006147A01, *ASTRO APX Mobile Radio E5 Control Head User Guide*
- MN005718A01, *Enhanced Single Band Mobile Radio Basic Service Manual*
- MN005719A01, *Enhanced Single Band Mobile Radio Detailed Service Manual*
- PMLN6193, *ASTRO APX Mobile Radio O2 Quick Reference Card*
- PMLN5591, *ASTRO APX Mobile Radio O3 Quick Reference Card*
- PMLN5592, *ASTRO APX Mobile Radio O5 Quick Reference Card*
- PMLN6194, *ASTRO APX Mobile Radio O7 Quick Reference Card*
- PMLN5711, *ASTRO APX Mobile Radio O9 Quick Reference Card*
- MN006146A01, *ASTRO APX Mobile Radio E5 Quick Reference Card (EMEA)*
- MN006240A01, *ASTRO APX Mobile Radio E5 Quick Reference Card (NALA)*
- 6881095C99, *RF Energy Exposure Training and Product Safety Information for Mobile Two-Way Radios installed in Vehicles or as Fixed Site Control Stations*
- MN000770A01, *Dual-radio Control Head System Instruction Manual*

# Commercial Warranty

## Limited Warranty

For information on warranty terms, see the Support page at <https://www.motorolasolutions.com>.

## I. What This Warranty Covers And For How Long

Motorola Solutions Inc. ("Motorola Solutions") warrants the Motorola Solutions manufactured Communication Products listed below ("Product") against defects in material and workmanship under normal use and service for a period of time from the date of purchase as scheduled below:

|                     |          |
|---------------------|----------|
| Mobile Radios       | One Year |
| Product Accessories | One Year |

The radios additionally ship with a standard 1-year Repair Service Advantage (RSA) (for U.S. customers) or 1-year Extended Warranty (for Canada customers). However, at the time of order, you may choose to omit these warranties. For more RSA or Extended Warranty information, please refer to the price pages.

Motorola Solutions, at its option, will at no charge either repair the Product (with new or reconditioned parts), replace it (with a new or reconditioned Product), or refund the purchase price of the Product during the warranty period provided it is returned in accordance with the terms of this warranty. Replaced parts or boards are warranted for the balance of the original applicable warranty period. All replaced parts of Product shall become the property of Motorola Solutions.

This express limited warranty is extended by Motorola Solutions to the original end user purchaser only and is not assignable or transferable to any other party. This is the complete warranty for the Product manufactured by Motorola Solutions. Motorola Solutions assumes no obligations or liability for additions or modifications to this warranty unless made in writing and signed by an officer of Motorola Solutions. Unless made in a separate agreement between Motorola Solutions and the original end user purchaser, Motorola Solutions does not warrant the installation, maintenance or service of the Product.

Motorola Solutions cannot be responsible in any way for any ancillary equipment not furnished by Motorola Solutions which is attached to or used in connection with the Product, or for operation of the Product with any ancillary equipment, and all such equipment is expressly excluded from this warranty. Because each system which may use the Product is unique, Motorola Solutions disclaims liability for range, coverage, or operation of the system as a whole under this warranty.

## II. General Provisions

This warranty sets forth the full extent of Motorola Solutions responsibilities regarding the Product. Repair, replacement or refund of the purchase price, at Motorola Solutions option, is the exclusive remedy.

This warranty is given in lieu of all other express warranties, implied warranties, including without limitation, implied warranties of merchantability and fitness for a particular purpose, are limited to the duration of this limited warranty. In no event shall Motorola Solutions be liable for damages in excess of the purchase price of the product, for any loss of use, loss of time, inconvenience, commercial loss, lost profits or savings or other incidental, special or consequential damages arising out of the use or inability to use such product, to the full extent such may be disclaimed by law.



### III. State Law Rights (Applicable Only in U.S.A.)

Some states do not allow the exclusion or limitation of incidental or consequential damages or limitation on how long an implied warranty lasts, so the above limitation or exclusions may not apply.

This warranty gives specific legal rights, and there may be other rights which may vary from state to state.

### IV. How To Get Warranty Service

You must provide proof of purchase (bearing the date of purchase and Product item serial number) in order to receive warranty service and, also, deliver or send the Product item, transportation, and insurance prepaid, to an authorized warranty service location.

Warranty service will be provided by Motorola Solutions through one of its authorized warranty service locations. If you first contact the company which sold you the Product, it can facilitate your obtaining warranty service.

You can also call Motorola Solutions at 1-800-927-2744 US/Canada.

### V. What This Warranty Does Not Cover

This warranty does not cover the following conditions:

- Defects or damage resulting from use of the Product in other than its normal and customary manner.
- Defects or damage from misuse, accident, water, or neglect.
- Defects or damage from improper testing, operation, maintenance, installation, alteration, modification, or adjustment.
- Breakage or damage to antennas unless caused directly by defects in material workmanship.
- A Product subjected to unauthorized Product modifications, disassemblies or repairs (including, without limitation, the addition to the Product of non-Motorola Solutions supplied equipment) which adversely affect performance of the Product or interfere with Motorola Solutions normal warranty inspection and testing of the Product to verify any warranty claim.
- Product which has had the serial number removed or made illegible.
- Rechargeable batteries if:
  - Any of the seals on the battery enclosure or cells are broken or show evidence of tampering.
  - The damage or defect is caused by charging or using the battery in equipment or service other than the Product for which it is specified.
- Freight costs to the repair depot.
- A Product which, due to illegal or unauthorized alteration of the software/firmware in the Product, does not function in accordance with Motorola Solutions published specifications or the FCC type acceptance labeling in effect for the Product at the time the Product was initially distributed from Motorola Solutions.
- Scratches or other cosmetic damage to Product surfaces that does not affect the operation of the Product.
- Normal and customary wear and tear.



**WARNING:** The circuitry found on the control head and its associated interface boards is designed to function "as-is". Any attempt at modifying or altering the circuitry would void the warranty, and/or could result in radio malfunction or hazardous conditions for the radio and its associated vehicle.

## VI. Patent And Software Provisions

Motorola Solutions will defend, at its own expense, any suit brought against the end user purchaser to the extent that it is based on a claim that the Product or parts infringe a United States patent, and Motorola Solutions will pay those costs and damages finally awarded against the end user purchaser in any such suit which are attributable to any such claim.

But such defense and payments are conditioned on the following:

- Motorola Solutions will be notified promptly in writing by such purchaser of any notice of such claim.
- Motorola Solutions will have sole control of the defense of such suit and all negotiations for its settlement or compromise.
- Product or parts become, or in Motorola Solutions opinion be likely to become, the subject of a claim of infringement of a United States patent, that such purchaser will permit Motorola Solutions, at its option and expense, either to procure for such purchaser the right to continue using the Product or parts or to replace or modify the same so that it becomes noninfringing or to grant such purchaser a credit for the Product or parts as depreciated and accept its return. The depreciation will be an equal amount per year over the lifetime of the Product or parts as established by Motorola Solutions.

Motorola Solutions will have no liability with respect to any claim of patent infringement which is based upon the combination of the Product or parts furnished hereunder with software, apparatus or devices not furnished by Motorola Solutions, nor will Motorola Solutions have any liability for the use of ancillary equipment or software not furnished by Motorola Solutions which is attached to or used in connection with the Product. The foregoing states the entire liability of Motorola Solutions with respect to infringement of patents by the Product or any parts thereof.

Laws in the United States and other countries preserve for Motorola Solutions certain exclusive rights for copyrighted Motorola Solutions software such as the exclusive rights to reproduce in copies and distribute copies of such Motorola Solutions software. Motorola Solutions software may be used in only the Product in which the software was originally embodied and such software in such Product may not be replaced, copied, distributed, modified in any way, or used to produce any derivative thereof. No other use including, without limitation, alteration, modification, reproduction, distribution, or reverse engineering of such Motorola Solutions software or exercise of rights in such Motorola Solutions software is permitted. No license is granted by implication, estoppel or otherwise under Motorola Solutions patent rights or copyrights.

## VII. Governing Law

This Warranty is governed by the laws of the State of Illinois, USA.

## Notice

# Installation Requirements for Compliance with Radio Frequency (RF) Energy Exposure Safety Standards

**CAUTION:** This radio is intended for use in occupational/controlled conditions, where users have full knowledge of their exposure and can exercise control over their exposure to meet FCC limits. This radio device is NOT authorized for general population, consumer, or any other use.

To ensure compliance to RF Energy Safety Standards:

- Install only Motorola Solutions approved antennas and accessories.
- Be sure that antenna installation is per [Antenna Installation on page 65](#) of this manual.
- Be sure that the Product Safety and RF Safety Booklet enclosed with this radio is available to the end user upon completion of the installation of this radio.

Before using this product, read the guide enclosed with your radio which contains important operating instructions for safe usage and RF energy awareness and control for compliance with applicable standards and regulations.

For a list of Motorola Solutions-approved antennas and other accessories, visit <http://www.motorolasolutions.com>.



**WARNING:** This equipment is compliant with Class A of EN55032. In a residential environment, this equipment may cause radio interference.

## Chapter 1

# Introduction

This manual covers the installation procedures for ASTRO mobile and motorcycle radios with O2, O3, O5, E5, O7, and O9 control heads and accessories required to complete the radio system.

The radio system consists of a control head, radio, antenna, microphone, speaker, cabling, Universal Relay Controller (URC), and accessories.

### 1.1

## Mobile Radio Description

This chapter covers the basic dimension of the mobile radio.

### 1.1.1

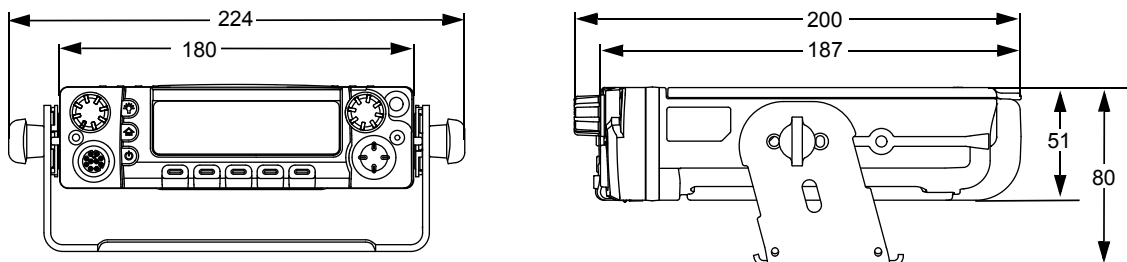
## Dimensions

When installing the radio, make sure to plan the installation carefully and leave extra room in the rear of the radio for cabling and accessory connections. Leave extra space in the front of the radio for access, controls, and cabling (if remote mount) and to the sides of the radio so that you can access and install the trunnion screws/wing screws.

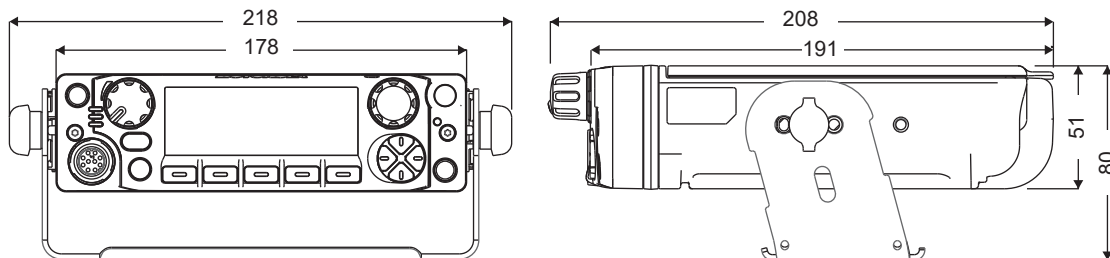


**NOTICE:** The rear accessory connector adds 0.75 in. to the overall length. The remote mount length is 244 mm.

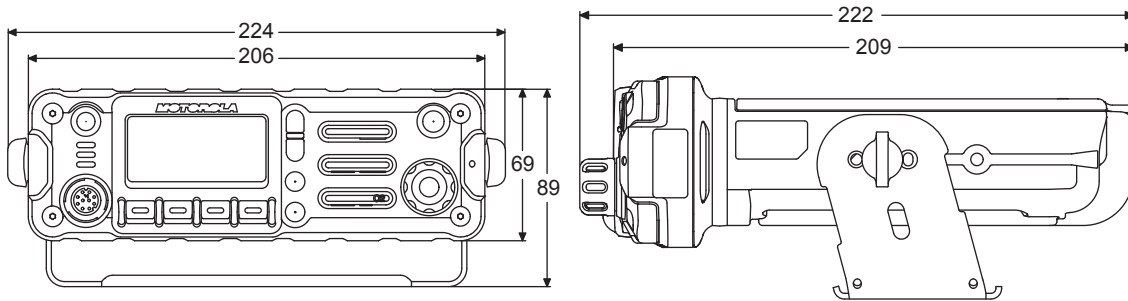
**Figure 1: Front and Side View of O5 Control Head with Dash Mount Transceiver and Trunnion**



**Figure 2: Front and Side View of E5 Control Head with Dash Mount Transceiver and Trunnion**

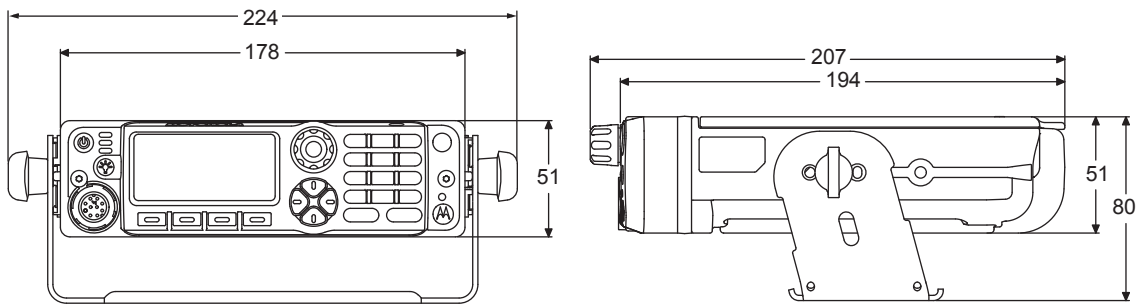


**Figure 3: Front and Side View of O2 Control Head with Dash Mount Transceiver and Trunnion**

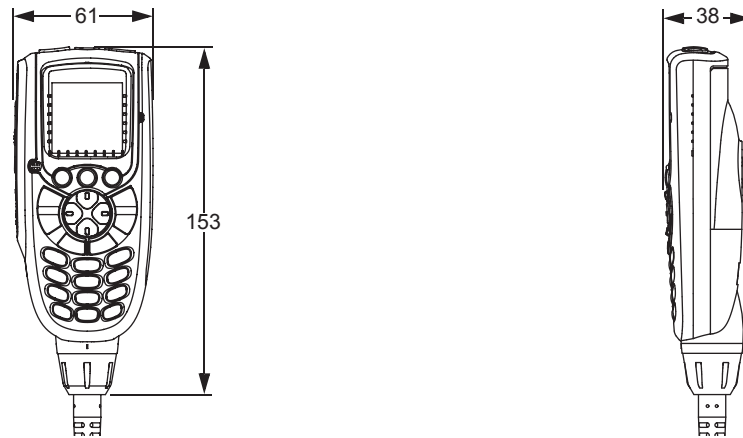


**NOTICE:** The rear accessory connector adds 0.75 in. to the overall length. The remote mount length is 194 mm.

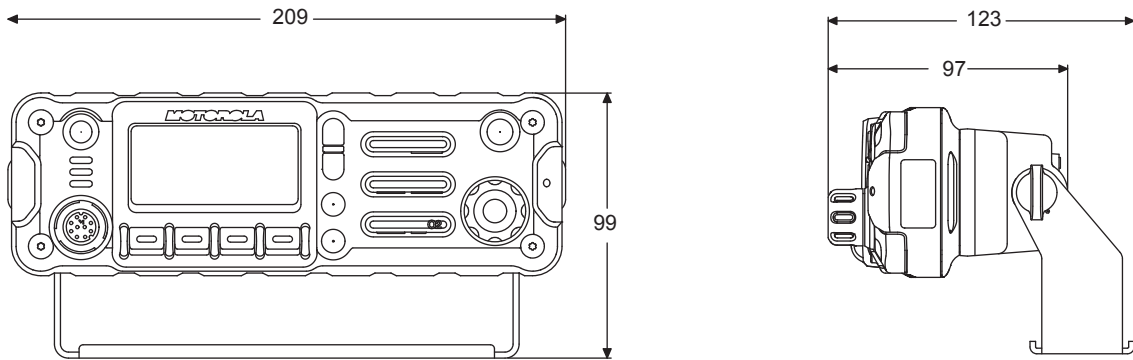
**Figure 4: Front and Side View of O7 Control Head with Dash Mount Transceiver and Trunnion**



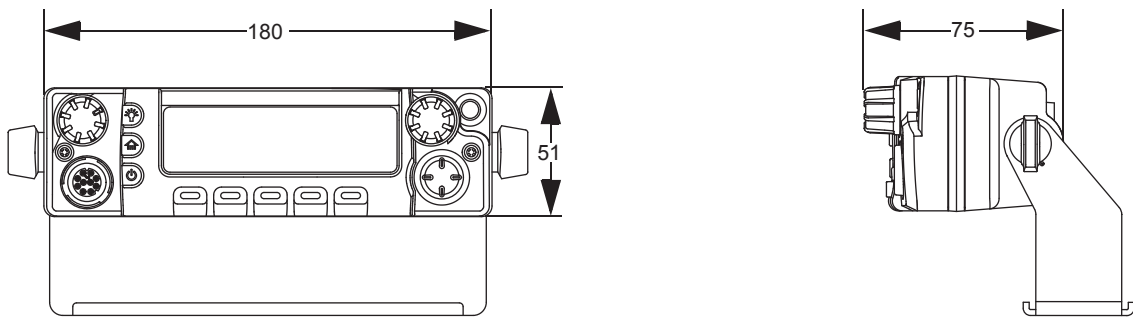
**Figure 5: Front and Side View of O3 Control Head with Coiled Cable**



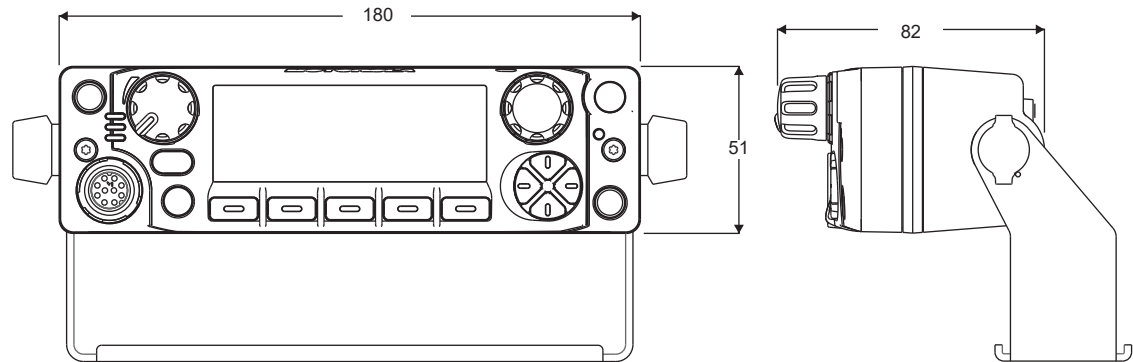
**Figure 6: Front and Side View of O2 Control Head with Remote Mount and Trunnion**



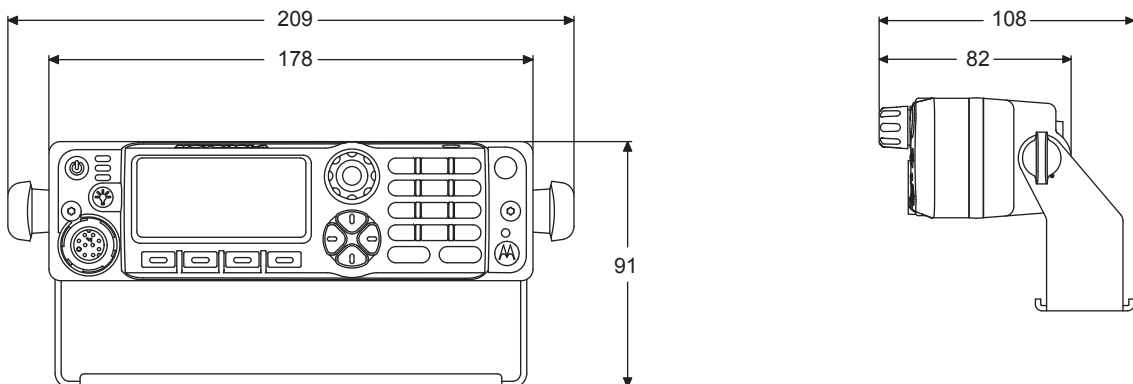
**Figure 7: Front and Side View of O5 Control Head with Remote Mount and Trunnion**



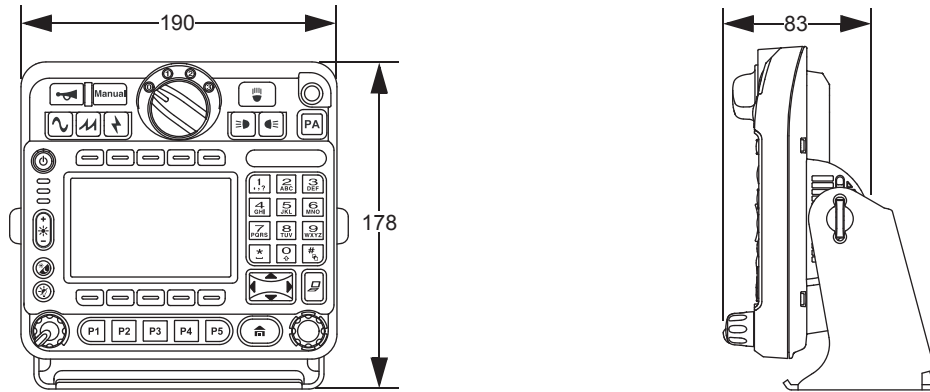
**Figure 8: Front and Side View of E5 Control Head with Remote Mount and Trunnion**



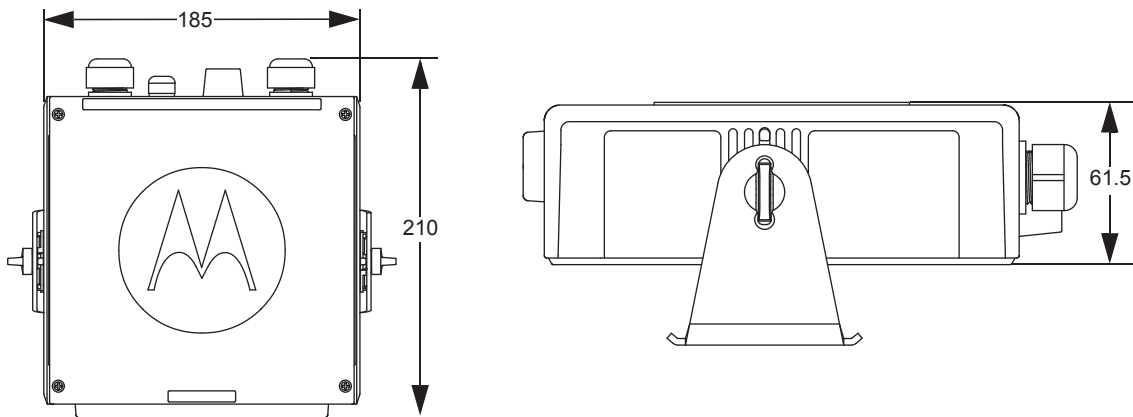
**Figure 9: Front and Side View of O7 Control Head with Remote Mount and Trunnion**



**Figure 10: Front and Side View of O9 Control Head with Trunnion**



**Figure 11: Top and Side View of O9 Universal Relay Controller (URC) with Trunnion (URC is an orderable accessory)**



## 1.2 Standard Configurations

This chapter covers the dash mount, remote mount, and multi-control head configurations.

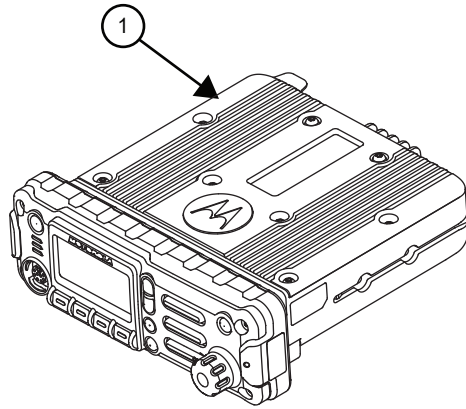
### 1.2.1 Dash Mount Configuration

There are two versions of the mobile dash mount.

The first are the O2, O5, E5, and O7 control heads which are mounted on the front of the transceiver housing. The second is the O3 control head which is connected to the transceiver through a coiled cable, which is plugged into the CAN connector on the transceiver.

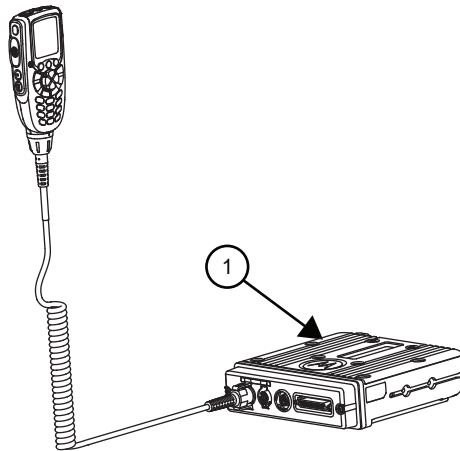
Electrical connection between the two takes place within the radio through a flexible circuit board between the connectors on the front of the transceiver and at the back of the control head for O2, O5, E5, and O7 and between the connectors on the front of the transceiver and at the back of the TIB for the O3.

**Figure 12: Dash Mount Configuration for O2 Control Head**



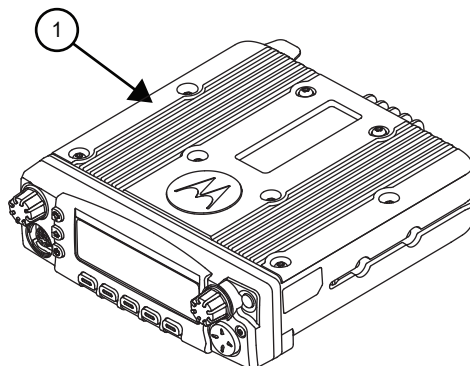
| No. | Description  |
|-----|--|
| 1   | ASTRO 25 Subscribers Enhanced Single Band Mobile Radio |

**Figure 13: Dash Mount Configuration for O3 Control Head**



| No. | Description  |
|-----|--|
| 1   | ASTRO 25 Subscribers Enhanced Single Band Mobile Radio |

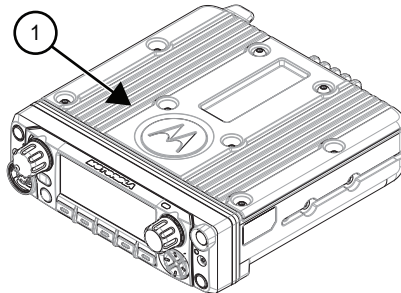
**Figure 14: Dash Mount Configuration for O5 Control Head**





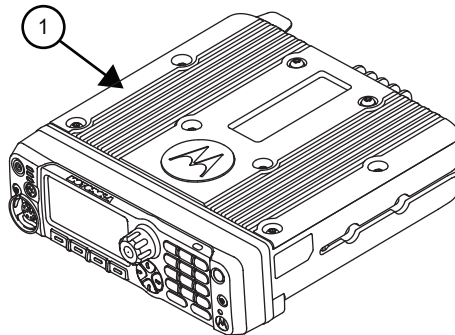
| No. | Description  |
|-----|--|
| 1   | ASTRO 25 Subscribers Enhanced Single Band Mobile Radio |

**Figure 15: Dash Mount Configuration for E5 Control Head**



| No. | Description  |
|-----|--|
| 1   | ASTRO 25 Subscribers Enhanced Single Band Mobile Radio |

**Figure 16: Dash Mount Configuration for O7 Control Head**



| No. | Description  |
|-----|--|
| 1   | ASTRO 25 Subscribers Enhanced Single Band Mobile Radio |

### 1.2.2

## Remote Mount Configuration

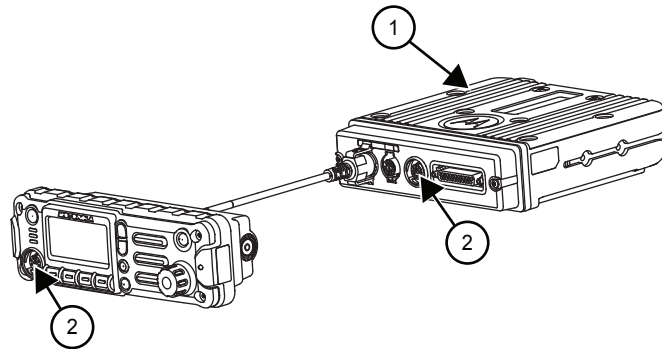
In the remote control version, the transceiver and the control head are mounted separately in the vehicle.

The O2, O5, E5, and O7 control heads are mounted in remote trunnions near the operator. The O3 and O9 control heads are also mounted near the operator using extension cables. The transceiver and control head are mounted using a trunnion or other mounting hardware. If the transceiver is located in a car trunk, ensure that it is mounted securely and that sufficient cooling is provided. Do not cover the transceiver with baggage, blankets, and others.



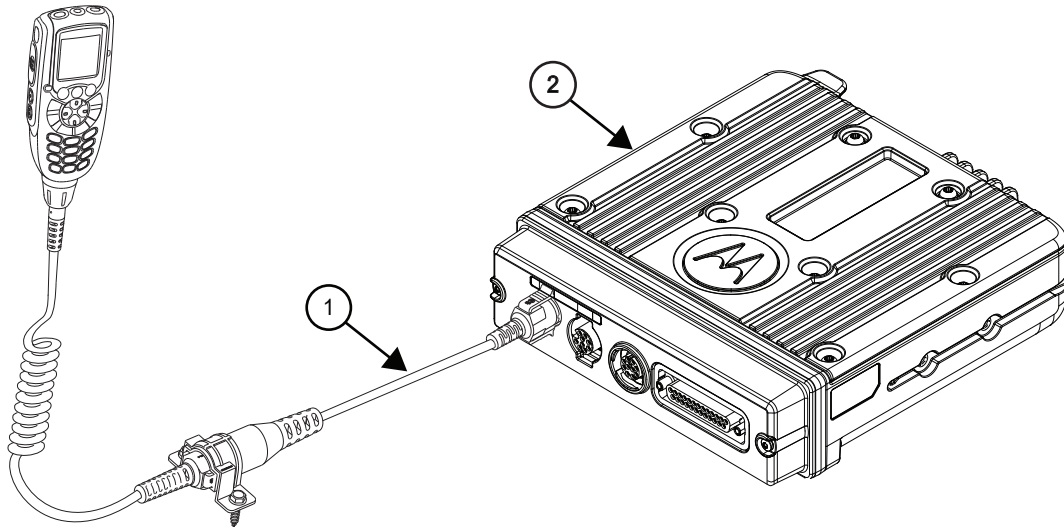
**NOTICE:** The keypad mic should only be plugged into the Modified Modular Plug (MMP) connector located on the control head, in either dash mount or remote mount configuration.

**Figure 17: Remote Mount Configuration with Mid Power Transceiver, Transceiver Interface Board, CHIB Rear Assembly, and O2 Control Head**



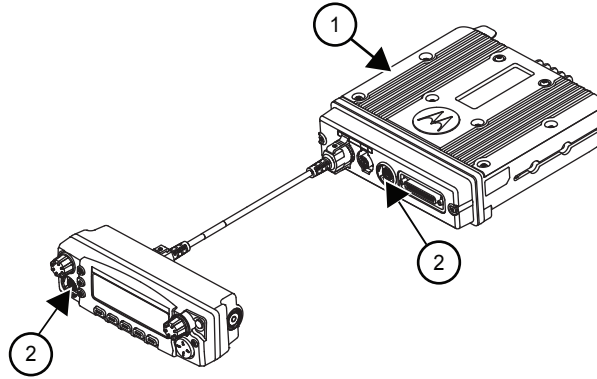
| No. | Description  |
|-----|--|
| 1   | ASTRO 25 Subscribers Enhanced Single Band Mobile Radio |
| 2   | MMP  |

**Figure 18: Remote Mount Configuration with Mid Power Transceiver, Transceiver Interface Board, and O3 Control Head**



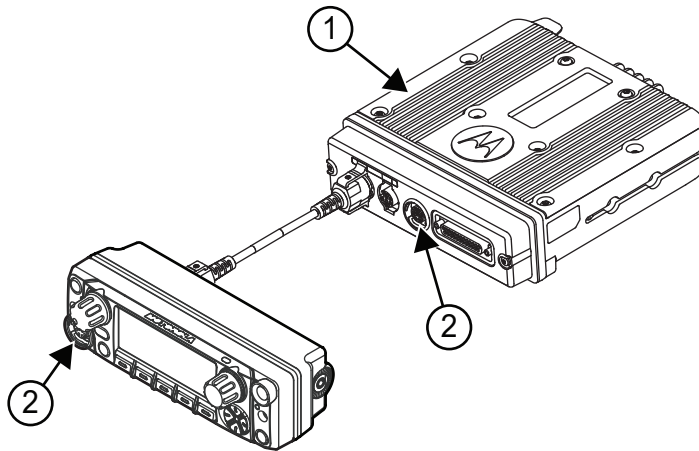
| No. | Description  |
|-----|--|
| 1   | 5 m (17 ft) Extension Cable                            |
| 2   | ASTRO 25 Subscribers Enhanced Single Band Mobile Radio |

**Figure 19: Remote Mount Configuration with Mid Power Transceiver, Transceiver Interface Board, CHIB Rear Assembly, and O5 Control Head**



| No. | Description  |
|-----|--|
| 1   | ASTRO 25 Subscribers Enhanced Single Band Mobile Radio |
| 2   | MMP  |

**Figure 20: Remote Mount Configuration with Mid Power Transceiver, Transceiver Interface Board, CHIB Rear Assembly, and E5 Control Head**



| No. | Description  |
|-----|--|
| 1   | ASTRO 25 Subscribers Enhanced Single Band Mobile Radio |
| 2   | MMP  |