

 <p>CERTIFICATE 2518.08</p> <p>MS ISO/IEC 17025          TESTING          SAMM NO. 0825</p>																																															
<p><b>MOTOROLA PENANG ADV. COMM. LABORATORY</b>          Motorola Solutions Malaysia SDN BHD,          Plot 2A, Medan Bayan Lepas,          Mukim 12 S.W.D, 11900 Bayan Lepas,          Penang, Malaysia.</p>	<p><b>FCC TEST REPORT</b>          Report Revision : Rev.B</p>																																															
<table border="0"> <tr> <td><b>Date/s Tested</b></td> <td>: 24-NOV-2020 - 8-DEC-2020</td> <td></td> </tr> <tr> <td><b>Report Issue Date</b></td> <td>: 7-JAN-2021</td> <td></td> </tr> <tr> <td><b>Manufacturer</b></td> <td>: Motorola Solutions Inc. (Schaumburg)</td> <td></td> </tr> <tr> <td><b>Manufacturer Address</b></td> <td>: Motorola Solutions Inc.                  1301 E. Algonquin Road, Bldg II02 Room 3035                  Schaumburg, Il 60196</td> <td></td> </tr> <tr> <td><b>Requestor</b></td> <td>: FEEMSTER MICHAEL</td> <td></td> </tr> <tr> <td><b>Product Type</b></td> <td>: Mobile</td> <td></td> </tr> <tr> <td><b>Product Version (PMN)</b></td> <td>: APX8500</td> <td></td> </tr> <tr> <td><b>Model Number (HVIN)</b></td> <td>: M37TXS9PW1AN (PHUW1001J)</td> <td></td> </tr> <tr> <td><b>Frequency Band</b></td> <td>: 136-174MHz</td> <td></td> </tr> <tr> <td><b>Max RF Output Power</b></td> <td>: 120 Watts</td> <td></td> </tr> <tr> <td><b>Applicant Name</b></td> <td>: Motorola Solutions Inc</td> <td></td> </tr> <tr> <td><b>Applicant Address</b></td> <td>: 8000 West Sunrise Boulevard,                  Fort Lauderdale, Florida 33322</td> <td></td> </tr> <tr> <td><b>ISED Registrations</b></td> <td>: MY0001</td> <td></td> </tr> <tr> <td><b>FCC Registrations</b></td> <td>: 461337</td> <td></td> </tr> <tr> <td><b>Firmware Version (FVIN)</b></td> <td>: R21.23.02</td> <td></td> </tr> </table> <div style="text-align: right; margin-top: 20px;">  </div> <p><b>The equipment was tested accordance to the requirement listed below:</b></p> <table border="0" style="width: 100%;"> <tr> <td style="width: 60%;">                 (LMR )                  FCC 47 CFR Part 2/ 22 / 74 / 80 / 90                  ISED RSS- Gen Issue 5 / 119 Issue 12             </td> <td style="width: 40%; text-align: center; vertical-align: middle;"> <b>PASS</b> </td> </tr> </table>		<b>Date/s Tested</b>	: 24-NOV-2020 - 8-DEC-2020		<b>Report Issue Date</b>	: 7-JAN-2021		<b>Manufacturer</b>	: Motorola Solutions Inc. (Schaumburg)		<b>Manufacturer Address</b>	: Motorola Solutions Inc. 1301 E. Algonquin Road, Bldg II02 Room 3035 Schaumburg, Il 60196		<b>Requestor</b>	: FEEMSTER MICHAEL		<b>Product Type</b>	: Mobile		<b>Product Version (PMN)</b>	: APX8500		<b>Model Number (HVIN)</b>	: M37TXS9PW1AN (PHUW1001J)		<b>Frequency Band</b>	: 136-174MHz		<b>Max RF Output Power</b>	: 120 Watts		<b>Applicant Name</b>	: Motorola Solutions Inc		<b>Applicant Address</b>	: 8000 West Sunrise Boulevard, Fort Lauderdale, Florida 33322		<b>ISED Registrations</b>	: MY0001		<b>FCC Registrations</b>	: 461337		<b>Firmware Version (FVIN)</b>	: R21.23.02		(LMR ) FCC 47 CFR Part 2/ 22 / 74 / 80 / 90 ISED RSS- Gen Issue 5 / 119 Issue 12	<b>PASS</b>
<b>Date/s Tested</b>	: 24-NOV-2020 - 8-DEC-2020																																															
<b>Report Issue Date</b>	: 7-JAN-2021																																															
<b>Manufacturer</b>	: Motorola Solutions Inc. (Schaumburg)																																															
<b>Manufacturer Address</b>	: Motorola Solutions Inc. 1301 E. Algonquin Road, Bldg II02 Room 3035 Schaumburg, Il 60196																																															
<b>Requestor</b>	: FEEMSTER MICHAEL																																															
<b>Product Type</b>	: Mobile																																															
<b>Product Version (PMN)</b>	: APX8500																																															
<b>Model Number (HVIN)</b>	: M37TXS9PW1AN (PHUW1001J)																																															
<b>Frequency Band</b>	: 136-174MHz																																															
<b>Max RF Output Power</b>	: 120 Watts																																															
<b>Applicant Name</b>	: Motorola Solutions Inc																																															
<b>Applicant Address</b>	: 8000 West Sunrise Boulevard, Fort Lauderdale, Florida 33322																																															
<b>ISED Registrations</b>	: MY0001																																															
<b>FCC Registrations</b>	: 461337																																															
<b>Firmware Version (FVIN)</b>	: R21.23.02																																															
(LMR ) FCC 47 CFR Part 2/ 22 / 74 / 80 / 90 ISED RSS- Gen Issue 5 / 119 Issue 12	<b>PASS</b>																																															
<p>This report shall not be reproduced without written approval from an officially designated representative of the Motorola Penang Adv. Comm. Laboratory. The results and statements contained in this report pertain only to the device(s) evaluated.</p>																																																
<p>Prepared By:</p> <div style="text-align: center; margin-top: 20px;">  </div> <hr style="width: 20%; margin: 0 auto;"/> <p><b>Putri Nur Sarah Sofia</b>          Test Personnel</p>	<p>Approved Signatory:</p> <div style="text-align: center; margin-top: 20px;">  </div> <hr style="width: 20%; margin: 0 auto;"/> <p><b>Vincent Foong Chuen Kit</b>          Responsible Engineer</p>																																															

# Table of Contents

Report Revision History .....	3
1.0 General Information.....	4
2.0 Summary of Test Results.....	5
3.0 Measurement Uncertainty.....	6
4.0 Equipment List.....	6
5.0 Test Condition.....	9
5.1. Transmitter Test Conditions .....	9
6.0 Transmitter Test Parameters .....	10
6.1. RF Output Power .....	10
6.1.1. Test Setup.....	10
6.1.2. Test Result .....	10
6.2. Frequency Stability .....	11
6.2.1. Test Setup.....	11
6.2.2. Test Result .....	12
6.2.3. Test Limit.....	13
6.3. Audio Frequency Response .....	14
6.3.1. Test Setup.....	14
6.3.2. Test Result .....	14
6.3.3. Test Limit.....	14
6.4. Audio Low Pass Filter Response .....	15
6.4.1. Test Setup.....	15
6.4.2. Test Result .....	15
6.4.3. Test Limit.....	16
6.5. Modulation Limiting.....	17
6.5.1. Test Setup.....	17
6.5.2. Test Result .....	17
6.5.3. Test Limit.....	17
6.6. Occupied Bandwidth.....	18
6.6.1. Test Setup (Analog) .....	18
6.6.2. Test Result (Analog).....	18
6.6.3. Test Setup (Digital).....	19
6.6.4. Test Result (Digital).....	19
6.6.5. Test Limit.....	19
6.7. Band Edge Conducted Spurious Emission (Part 22) .....	20
6.7.1. Test Setup (Analog) .....	20
6.7.2. Test Result (Analog).....	21
6.7.3. Test Setup (Digital).....	22
6.7.4. Test Result (Digital).....	23
6.7.5. Test Limit.....	24
6.8. Transient Frequency Behavior.....	25
6.8.1. Test Setup.....	25
6.8.2. Test Result .....	26
6.8.3. Test Limit.....	28

6.9. Adjacent Channel Power..... 29

6.9.1. Test Setup (Analog) ..... 29

6.9.2. Test Result ..... 29

6.9.3. Test Setup (Digital)..... 30

6.9.4. Test Result ..... 30

6.9.5. Test Limit..... 31

6.10. Conducted Spurious Emission ..... 33

6.10.1. Test Setup..... 33

6.10.2. Test Result (Analog)..... 34

6.10.3. Test Result (Digital)..... 42

6.10.4. Test Limit..... 58

6.11. Radiated Spurious Emission ..... 59

6.11.1. Test Setup..... 59

6.11.2. Test Result (Analog)..... 60

6.11.3. Test Result (Digital)..... 61

6.11.4. Test Limit..... 84

6.12. Effective Radiated Power (ERP) ..... 85

6.12.1. Test Setup..... 85

6.12.2. Test Result ..... 85

6.12.3. Test Limit..... 85

6.13. GNSS (EIRP for 1559 - 1610MHz)..... 86

6.13.1. Test Setup..... 86

6.13.1. Test Result ..... 86

6.13.2. Test Limit..... 86

**Report Revision History**

<b>Revision History</b>	<b>Description</b>	<b>Date</b>	<b>Originator</b>
Rev. A	Initial Report	9-DEC-2020	Putri Nur Sarah Sofia
Rev. B	Revised part 80 power	16-FEB-2021	Vincent Foong

## 1.0 General Information

### EUT Description:

<b>Technologies</b>	Land Mobile Radio (LMR)
<b>Modulation Type</b>	Analog, C4FM, Phase II

The EUT contains following accessory devices and data cable:

Item	Brand	Model or P/N
KEYPAD MICROPHONE	Motorola	HMN4079G
USB CABLE, MAP CONNECTOR (6 FT)	Motorola	HKN6163C
10 CAN CABLE REMOTE MOUNT	Motorola	HKN6170B
REMOTE CONTROL HEAD POWER AND SPEAKER	Motorola	HKN6188B
Control Head 07	Motorola	PMHN4194A
O2/O7 REMOTE CHIB	Motorola	PMUN1057B

### General Description of Applied Standards

The EUT is a RF Product. According to the specifications of the manufacturer, the EUT is to comply with the requirements of the following standards:

**ANSI C63.4-2014**

**ANSI C63.26-2015**

No modifications were done to the UUT to facilitate the tests in this report.

### Deviation from standard

Not applicable as no deviation from standard test method

### Selection of test modes

Some reports may contain a limited number of test points/modes, in which case all channels and modulations were evaluated and the worst case performance is presented in the report

## 2.0 Summary of Test Results

FCC General Rules Part (47CFR)	ISED General Rules Part	Test Item	Result	Remarks	Serial number tested
2.1046, 90.541, 22.565, 74.461, 74.534, 80.215	RSS-119	RF Power Output	Pass		G0P0WP0AVC
2.1055, 22.355, 74.464, 80.209	RSS-119	Frequency Stability	Pass		G0P0WP0AVC
-	-	Audio Frequency Response	NA		
-	-	Audio Low Pass Filter Response	NA		
-	-	Modulation limiting	NA		
-	-	Occupied Bandwidth	NA		
22.359 (a), (b)	RSS-119	Band Edge Conducted Spurious Emission	Pass		G0P0WP0AVC
90.214	RSS-119 (5.9)	Transient Frequency Behavior	Pass		G0P0WP0AVC
-	-	Adjacent Channel Power	NA		
2.1051, 22.359, 74.462, 80.211, 90.210	RSS-119	Conducted Spurious Emissions	Pass	Highest spur : -23.12dBm	G0P0WP0AVC
2.1051, 22.359, 74.462, 80.211, 90.210	RSS-119	Radiated Spurious Emission	Pass	Highest spur : -52.45dBm	PHUW1001H-CF2
-	-	GNSS (EIRP for 1559 – 1610MHz)	NA		
-	-	Effective Radiated Power (ERP)	NA		

NA → Not Applicable

### 3.0 Measurement Uncertainty

Measurement	Frequency	Expended Uncertainty (k=1.96) (±)
AC Power Line Conducted Spurious Emission	150KHz ~ 30MHz	3.43 dB
Radiated Emissions up to 1 GHz	30MHz ~ 200MHz	4.25 dB
	200MHz ~ 1000MHz	4.25 dB
Radiated Emissions above 1 GHz	1GHz ~ 18GHz	4.94 dB
	18GHz ~ 25GHz	4.94 dB
Conducted Spurious Emissions	9kHz ~ 12.75GHz	2.82 dB
Frequency Stability	9kHz ~ 12.75GHz	0.0085 ppm
Audio Frequency Response / Low Pass Filter Response	300Hz – 20kHz	4.09 %
Modulation Limiting	300Hz – 3kHz	1.15 %
Occupied Bandwidth	9kHz ~ 12.75GHz	2.82 dB
Band Edge Conducted Spurious Emission	9kHz ~ 12.75GHz	2.82 dB
Transient Frequency Behavior	9kHz ~ 12.75GHz	5.4 ms
Adjacent Channel Power	9kHz ~ 12.75GHz	2.82 dB

### 4.0 Equipment List

#### FCC Analog ATE#1: (SW version: 2.4.6 & FCC\_Frequency Stability 1.0.3 rev.)

Description	Model	Serial Number	Calibration Date	Calibration Due Date
CHAMBER	SH-641	92009188	06-Mar-20	06-Mar-21
DSA Dynamic Signal Analyzer	35670A	MY42507095	19-Jun-20	19-Jun-21
ANALYZER AUDIO	8903B	3514A15797	29-Oct-20	29-Oct-21
POWER METER	E4416A	MY45102699	26-Jun-20	26-Jun-21
POWER SENSOR	E9301B	MY41498918	12-Aug-20	12-Aug-21
POWER SUPPLY	6031A	3325A02771	13-Mar-20	13-Mar-21
SIGNAL GENERATOR	2042	119718/063	24-Jun-20	24-Jun-21
ANALYZER MODULATION	8901B	3122A03662	08-Jul-20	08-Jul-21
N to N RF Cable # 1	M17/128-RG400	NA	NA	NA
BNC to N RF Cable # 1	RG 58	NA	NA	NA
BNC to BNC RF Cable # 1	RG 58	NA	NA	NA
BNC to BNC RF Cable # 2	RG 58	NA	NA	NA
BNC to BNC RF Cable # 3	RG 58	NA	NA	NA
BNC to BNC RF Cable # 4	RG 58	NA	NA	NA
BNC to BNC RF Cable # 5	RG 58	NA	NA	NA
BNC to BNC RF Cable # 6	RG 58	NA	NA	NA
BNC to BNC RF Cable # 7	RG 58	NA	NA	NA
N to SMA RF Cable # 1	RG 58	NA	NA	NA
N to SMA RF Cable # 2	RG 58	NA	NA	NA
N to SMA RF Cable # 3	RG 58	NA	NA	NA
Aeroflex Attenuator 30dB	49-30-34-LIM	NA	NA	NA

**FCC Transient ATE #1: (SW version: FCC Transient ATE\_R1.1.3)**

Description	Model	Serial Number	Calibration Date	Calibration Due Date
SWITCH CONTROL UNIT	3488A	2719A36210	CNR	CNR
ATTENUATOR / SWITCH DRIVER	11713A	2508A10141	CNR	CNR
POWER METER	E4416A	GB41293866	26-Feb-19	26-Feb-21
POWER SUPPLY	6032A	MY41002067	22-Feb-20	22-Feb-21
SIGNAL GENERATOR	8657A	3250A05137	19-Jun-20	19-Jun-21
STEP ATTENUATOR	8494G	MY42143006	12-Jun-20	12-Jun-21
STEP ATTENUATOR	8496G	MY42143012	13-Jun-20	13-Jun-21
OSCILLOSCOPE	MSO8104A	MY45002372	26-Jun-20	26-Jun-21
ANALYZER MODULATION	8901B	3438A05093	23-Jun-20	23-Jun-21
ANALYZER AUDIO	8903B	3011A12671	11-Mar-20	11-Mar-21
ANALYZER AUDIO	8903B	3011A08952	29-Jul-20	29-Jul-21
SPECTRUM ANALYZER	E4440A	MY46181974	2-Aug-20	2-Aug-21
N to N RF Cable # 1	SF126/11N/11N	NA	NA	NA
N to N RF Cable # 2	M17/128-RG400	NA	NA	NA
N to N RF Cable # 3	M17/128-RG400	NA	NA	NA
N to N RF Cable # 4	M17/128-RG400	NA	NA	NA
N to N RF Cable # 5	M17/128-RG400	NA	NA	NA
N to N RF Cable # 6	M17/128-RG400	NA	NA	NA
N to N RF Cable # 7	M17/128-RG400	NA	NA	NA
N to N RF Cable # 8	M17/128-RG400	NA	NA	NA
N to N RF Cable # 9	M17/128-RG400	NA	NA	NA
BNC to BNC RF Cable # 1	RG 58	NA	NA	NA
BNC to BNC RF Cable # 2	RG 58	NA	NA	NA
BNC to BNC RF Cable # 3	RG 58	NA	NA	NA
BNC to BNC RF Cable # 4	RG 58	NA	NA	NA
BNC to BNC RF Cable # 5	RG 58	NA	NA	NA
BNC to BNC RF Cable # 6	RG 58	NA	NA	NA
BNC to N RF Cable # 1	RG 58	NA	NA	NA
Aeroflex Attenuator 10dB	49-10-43-LIM	NA	NA	NA
Aeroflex Attenuator 10dB	33-10-34-LIM	NA	NA	NA
SWITCH CONTROL UNIT	3488A	2719A36210	CNR	CNR

**CONDUCTED SPUR EMISSION ATE # 1 (SW version: Conducted Spur ATE\_rev 1.23.03)**

Description	Model	Serial Number	Calibration Date	Calibration Due Date
SWITCH CONTROL UNIT	3488A	2719A32735	CNR	CNR
ANALYZER SPECTRUM	E4440A	MY46185415	10-Jan-20	10-Jan-22
POWER SUPPLY	6031A	3543A03489	05-Jun-20	05-Jun-21
HIGH PASS FILTER SWITCH BOX	-	CS001	2-Jul-20	2-Jul-21
N to N RF Cable # 1	SF126/11N/11N	NA	NA	NA
N to N RF Cable # 2	SF126/11N/11N	NA	NA	NA
BNC to BNC RF Cable # 1	RG 58	NA	NA	NA
Aeroflex Attenuator 30dB	49-30-43-LIM	NA	NA	NA
Aeroflex Attenuator 10dB	33-10-34-LIM	NA	NA	NA

**EMC Chamber 1**

DESCRIPTION	MODEL	SERIAL NUMBER	CALIBRATION DATE	CALIBRATION DUE DATE
DRG HORN FREQ.	SAS-571	720	21-Mar-19	21-Mar-21
DRG HORN FREQ.	SAS-571	1143	14-Feb-19	14-Feb-21
POWER SUPPLY	6032A	2615A01178	21-May-20	21-May-21
SIGNAL GENERATOR	SMB 100A	181117	8-Nov-18	8-Nov-21
EMI TEST RECEIVER	ESW44	101731	3-Dec-19	3-Feb-21
EMI TEST RECEIVER	ESIB26	100017	19-Jul-19	19-Jan-21
5m SEMI-ANECHOIC CHAMBER	S800-HX	J2308	No Cal. Req'd	No Cal. Req'd
BILOG ANTENNA	CBL6112B	2964	23-Apr-19	23-Apr-21
BILOG ANTENNA	CBL6112B	2950	8-Jul-19	8-Jul-21
DATA LOGGER	SDL500	A.016776	4-Jun-20	4-Jun-21
SYSTEM CONTROLLER	SC104V	050806-1	CNR	CNR
TURNTABLE FLUSH MOUNT 2M	FM2011	NA	CNR	CNR
ANTENNA POSITIONING TOWER	TLT2	NA	CNR	CNR
BROAD-BAND HORN ANTENNA	BBHA9170	BBHA9170255	27-Jan-20	27-Jan-21
18 - 40GHz PREAMPLIFIER	MITEQ Hi GAIN SUCOFLEX	001	CNR	CNR
PREAMPLIFIER	PAM-0118	269	24-May-19	24-May-22
LOOP ANTENNA	6502	00203479	21-Jan-20	21-Jan-21
TEST SOFTWARE	EMC FCC IC BLUETOOTH RE TEST			
VERSION	EMC FCC RE v1.6.2			



## 5.0 Test Condition

### 5.1. Transmitter Test Conditions

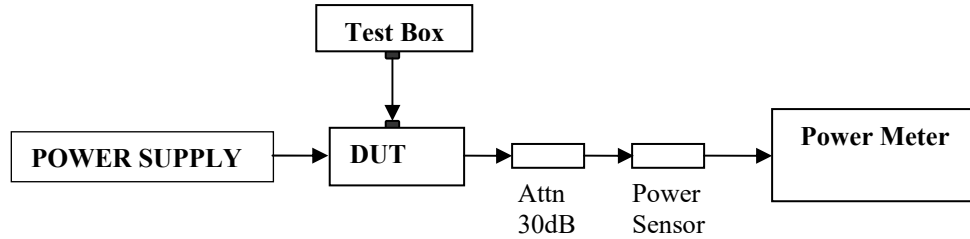
Test Item, (Channel Spacing)	Power (W)	Modulation	Test Frequency (MHz)	Tested By	Environmental conditions
RF Output Power	Low & Max	Analog	138.0125, 158.55, 161.7, 173.3875	Putri	23.4°C, 50%RH
Frequency Stability	Max	Analog	158.550	Putri	25.1°C, 54.3%RH, 60.3°C, 50%RH, -30.1°C, 51.2%RH
Audio Frequency Response (12.5kHz / 25kHz)	Max	Analog	NA		
Audio Low Pass Filter Response (12.5kHz / 25kHz)	Max	Analog	NA		
Modulation limiting (12.5kHz / 25kHz)	Max	Analog	NA		
Occupied Bandwidth (12.5kHz / 20kHz / 25kHz)	Max	Analog, C4FM, Phase II	NA		
Band Edge Conducted Spurious Emissions (Part 22) (12.5kHz / 20kHz / 25kHz)	Low / Max	Analog, C4FM, Phase II	157.77, 158.67	Putri	23.4°C, 50%RH
Transient Frequency Behavior (UHF & VHF Band) (12.5kHz / 25kHz)	Max	Analog, C4FM, Phase II	158.55	Putri	23.4°C, 50%RH
Adjacent Channel Power (700MHz Band) (12.5kHz / 25kHz)	Max	Analog, C4FM, Phase II	NA		
Conducted Spurious Emissions- (12.5kHz / 25kHz)	Low / Max	Analog, C4FM, Phase II	138.0125, 158.55, 161.7, 173.3875	Putri	23.4°C, 50%RH
Radiated Spurious Emission (12.5kHz / 25kHz)	Low / Max	Analog, C4FM, Phase II	138.0125, 158.55, 161.7, 173.3875	Nazrin&Fendi	23.9°C, 69.9%RH
GNSS (EIRP for 1559 - 1610MHz) (12.5kHz / 25kHz)	Max	Analog	NA		
Effective Radiated Power (ERP) (12.5kHz / 25kHz)	Max	Analog	NA		

NA → Not Applicable

## 6.0 Transmitter Test Parameters

### 6.1. RF Output Power

#### 6.1.1. Test Setup



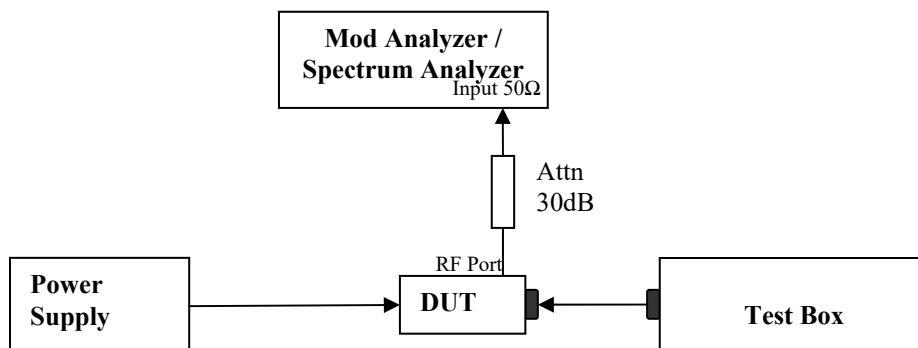
- 1) The DUT transmitter connected to Power Meter using the 30 dB attenuator and power sensor with above setup.
- 2) Path loss for the measurement included.
- 3) All the measurement was done at low, mid, high frequency for each band.
- 4) Record the power into the test report.

#### 6.1.2. Test Result

Temperature	25°C				REMARK
Voltage (V)	13.6V				
Frequency (MHz)	Low Power (W)	Current (A)	Max Power (W)	Current (A)	
138.01250	1.05	3.81	120.00	19.35	Not for FCC review  <b>Part 80</b>
158.55000	1.05	3.18	119.00	21.00	
158.55000	1.05	3.81	4.97	5.61	
161.70000	1.05	3.15	119.00	20.00	
173.38750	1.05	3.81	120.00	21.60	

## 6.2. Frequency Stability

### 6.2.1. Test Setup

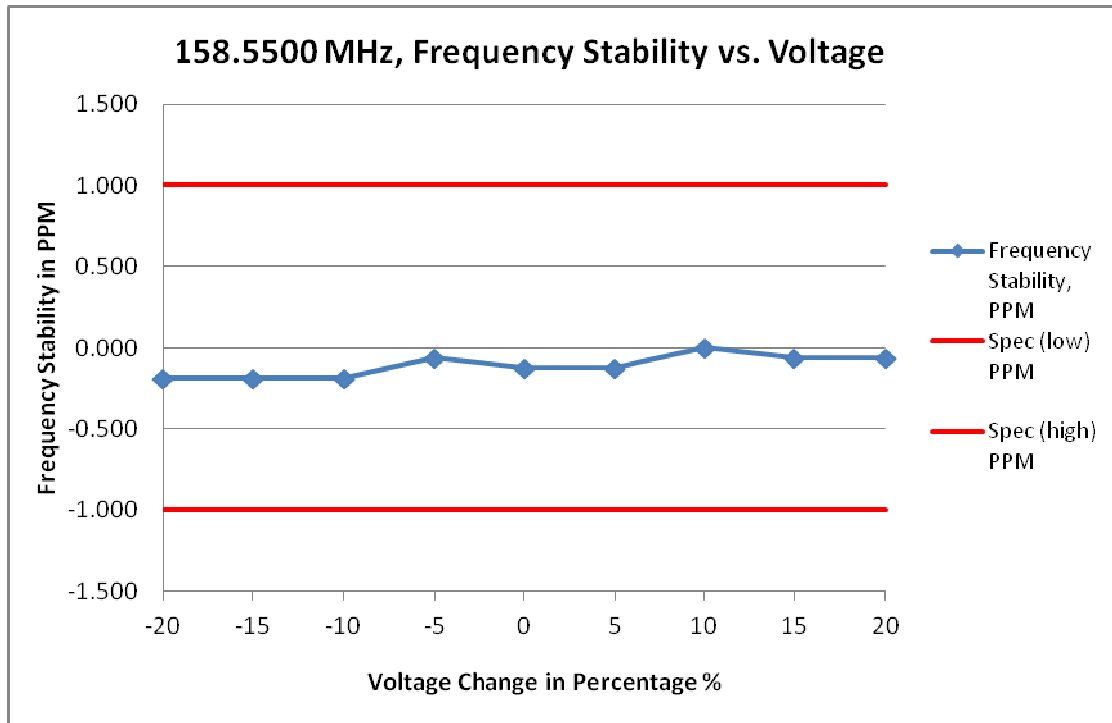


- 1) The DUT transmitter output port was connected to Modulation / Spectrum Analyzer.
- 2) Path loss for the measurement included.
- 3) Transmit the DUT and record the freq in  $MCF_{MHz}$ .
- 4) Test in 2 conditions:
  - Temperature: The frequency of the transmitter was measured from  $-30^{\circ}C$  to  $50^{\circ}C$ .
  - Supply Voltage:
    - Mobile: The frequency of the transmitter was measured from 85% to 115% of the nominal operating input voltage.
    - Portable: The frequency of the transmitter was measured from nominal  $\pm x\%$  as specified by the manufacturer
- 5) Calculate the ppm frequency error by the following:

$$ppm\ error = \left( \frac{MCF_{MHz}}{ACF_{MHz}} - 1 \right) * 10^6$$

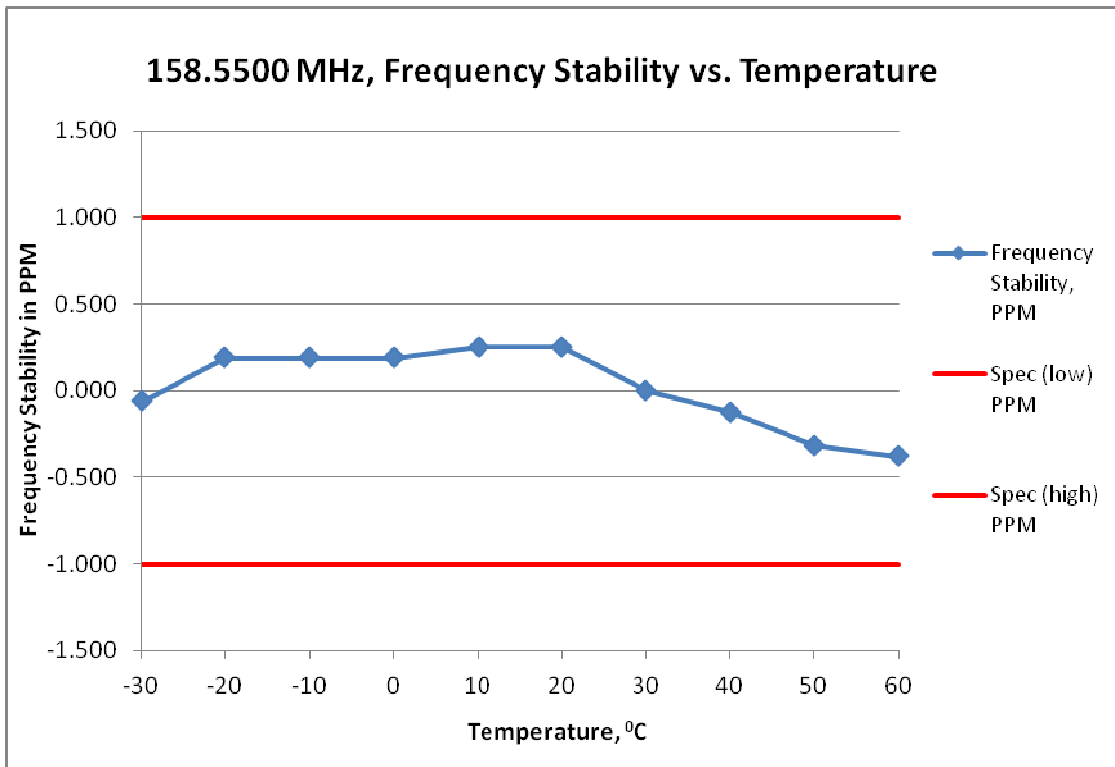
Where:  $MCF_{MHz}$  is the Measured Carrier Frequency in MHz  
 $ACF_{MHz}$  is the Assigned Carrier Frequency in MHz

### 6.2.2. Test Result



(i) Frequency Stability VS Voltage

Frequency / Channel Spacing	158.5500 MHz / 12.5 kHz				
Temperature, °C	25				
Voltage %	Voltage, V	Frequency, MHz	Frequency Stability, PPM	Spec (low) PPM	Spec (high) PPM
-20	11.560	158.549970	-0.189	-1.000	1.000
-15	12.240	158.549970	-0.189	-1.000	1.000
-10	12.920	158.549970	-0.189	-1.000	1.000
-5	13.600	158.549990	-0.063	-1.000	1.000
0	14.280	158.549980	-0.126	-1.000	1.000
5	14.960	158.549980	-0.126	-1.000	1.000
10	15.640	158.550000	0.000	-1.000	1.000
15	16.320	158.549990	-0.063	-1.000	1.000
20	16.320	158.549990	-0.063	-1.000	1.000



(ii) Frequency Stability VS temperature

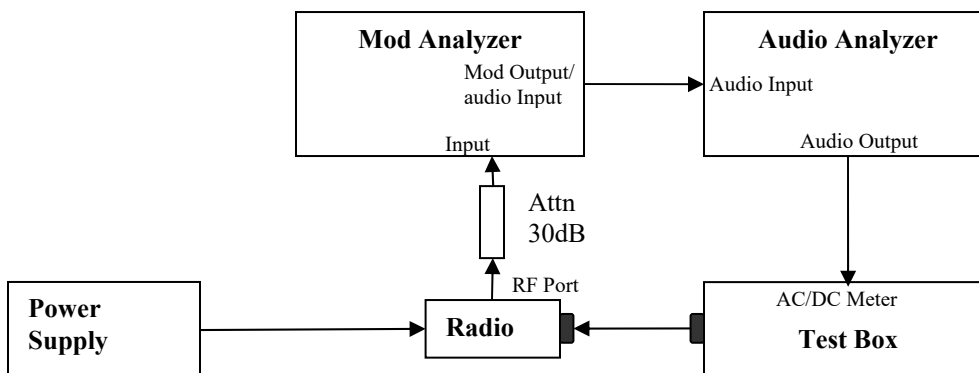
Frequency / Channel Spacing	158.5500 MHz / 12.5 kHz			
Voltage, V	13.6			
Temperature, °C	Frequency, MHz	Frequency Stability, PPM	Spec (low) PPM	Spec (high) PPM
-30	158.549990	-0.063	-1.000	1.000
-20	158.550030	0.189	-1.000	1.000
-10	158.550030	0.189	-1.000	1.000
0	158.550030	0.189	-1.000	1.000
10	158.550040	0.252	-1.000	1.000
20	158.550040	0.252	-1.000	1.000
30	158.550000	0.000	-1.000	1.000
40	158.549980	-0.126	-1.000	1.000
50	158.549950	-0.315	-1.000	1.000
60	158.549940	-0.378	-1.000	1.000

**6.2.3. Test Limit**

As per manufacturer declared spec +/- 1.0ppm

### 6.3. Audio Frequency Response

#### 6.3.1. Test Setup

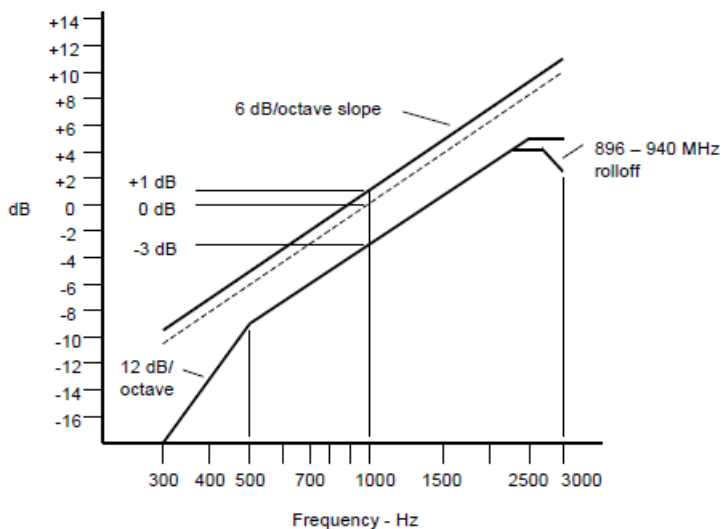


- 1) The DUT transmitter output port was connected to Modulation Analyzer.
- 2) Path loss for the measurement included.
- 3) Set the audio bandwidth filter to 15 kHz and 50 kHz.
- 4) Transmit the radio and set the audio analyzer to 1 kHz audio frequency and 20% of the Full rated system deviation.
- 5) On audio analyzer, set the rated level as reference to zero.
- 6) Vary the audio frequency from 300 Hz to 3 kHz. Record the change in dB on the audio analyzer.

#### 6.3.2. Test Result

Not Applicable.

#### 6.3.3. Test Limit

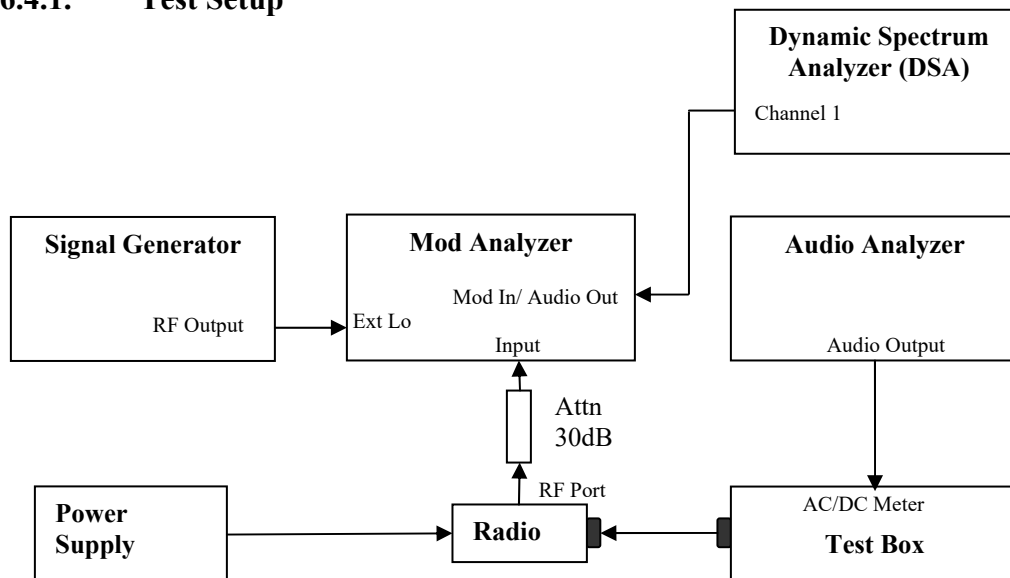


Note:

- o There are additional 6 dB per octave attenuation is allowed from 2.5KHz to 3KHz in equipment 25MHz to 869MHz radio.
- o Additional 6 dB per octave attenuation is allowed from 2.3KHz to 2.7KHz & additional 12 dB per octave attenuation is allowed from 2.7KHz to 3KHz in equipment 896MHz to 940MHz radio.

## 6.4. Audio Low Pass Filter Response

### 6.4.1. Test Setup

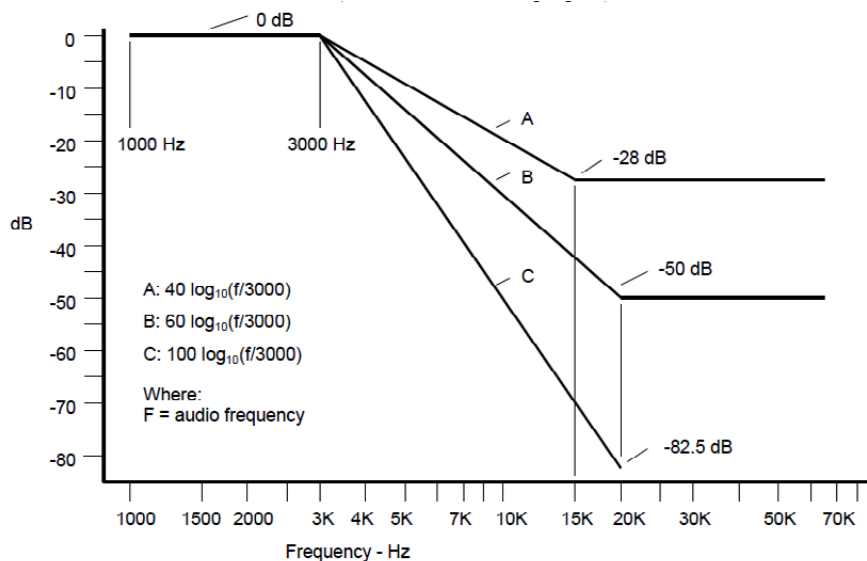


- 1) The DUT transmitter output port was connected to Modulation Analyzer.
- 2) Path loss for the measurement included.
- 3) Press 23.1SPCL on modulation analyzer to enable the external LO from Sigen.
- 4) Set the Sigen frequency to  $F_c + 1.5$  MHz, RF output level to 0dBm without modulation.
- 5) Transmit the radio and set the audio analyzer to 1 kHz audio frequency and 60% of the Full rated system deviation.
- 6) Up the amplitude by 20dB.
- 7) On DSA, get the reference point to 0dB.
- 8) Vary the frequency on audio analyzer from 3 kHz to 20 kHz, record the audio tone from DSA.

### 6.4.2. Test Result

Not Applicable.

### 6.4.3. Test Limit



For audio frequencies above 3000 Hz, the audio response of the post limiter low-pass filter shall meet or exceed the following requirements:

- a) For equipment operating on 20, 25 or 30 kHz channel bandwidth in the 25 MHz to 174 MHz range:

At frequencies from 3000 Hz through 15,000 Hz the attenuation shall be greater than the attenuation at 1000 Hz by at least:  $40 \log_{10}(f / 3000)$  dB

where:  $f$  is the audio frequency in Hz.

At frequencies above 15,000 Hz, the attenuation shall be greater than the attenuation at 1000 Hz, by at least: 28 dB.

- b) For equipment operating with 25 kHz bandwidth channels between 406 and 512 MHz through 896 MHz, and between 929 MHz through 930 MHz:

At frequencies from 3000 Hz through 20,000 Hz, the attenuation shall be greater than the attenuation at 1000 Hz by at least:  $60 \log_{10}(f / 3000)$  dB

where:  $f$  is the audio frequency in Hz.

At frequencies above 20,000 Hz the attenuation shall be greater than the attenuation at 1000 Hz by at least: 50 dB.

- c) For equipment operating on channels between 896 MHz through 901 MHz, between 935 MHz through 940 MHz, and 12.5 or 15 kHz spaced channels in the frequency range 138-174 MHz and 406-512 MHz.

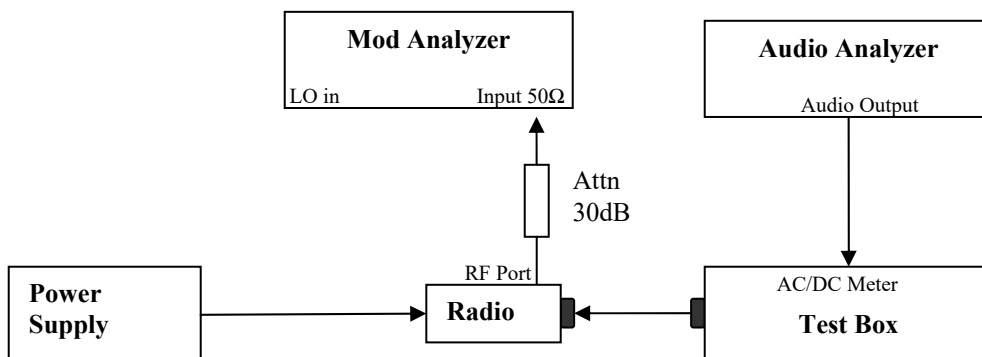
At frequencies from 3000 Hz through 20,000 Hz the attenuation shall be greater than the attenuation at 1000 Hz by at least:  $100 \log_{10}(f / 3000)$  dB

where:  $f$  is the audio frequency in Hz.



## 6.5. Modulation Limiting

### 6.5.1. Test Setup



- 1) The DUT transmitter output port was connected to Modulation Analyzer.
- 2) Path loss for the measurement included.
- 3) Set the audio bandwidth filter to 15 kHz.
- 4) Transmit the radio and set the audio analyzer to 1 kHz audio frequency and 60% of the Full rated system deviation.
- 5) Record the frequency deviation as 0dB input level at 1kHz audio frequency.
- 6) Repeat the step and record the frequency deviation from -20 dB to 20dB by 5 dB increments and different audio freq 300 Hz, 2.5 kHz and 3 kHz.

### 6.5.2. Test Result

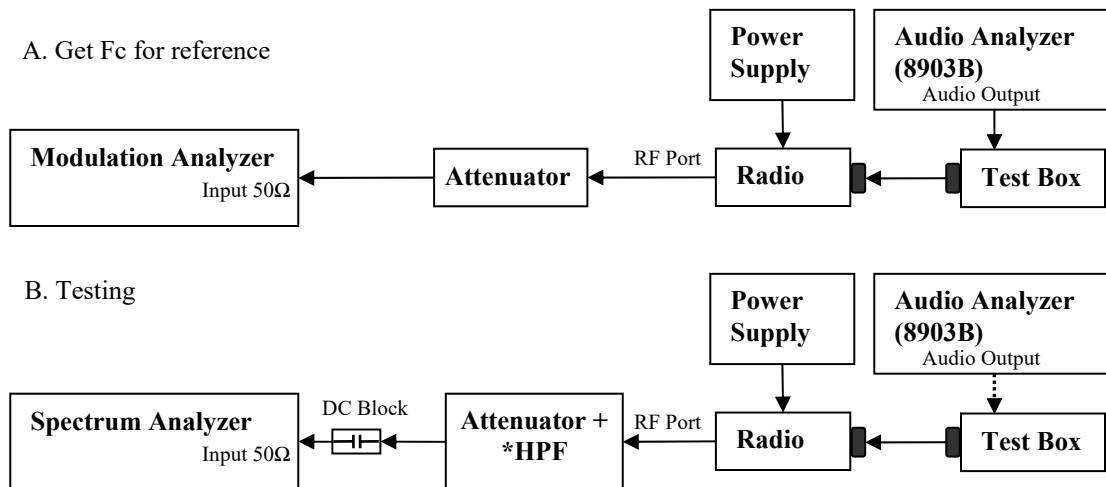
**Not Applicable.**

### 6.5.3. Test Limit

Modulation Limiting shall not exceed 100 percent.

## 6.6. Occupied Bandwidth

### 6.6.1. Test Setup (Analog)



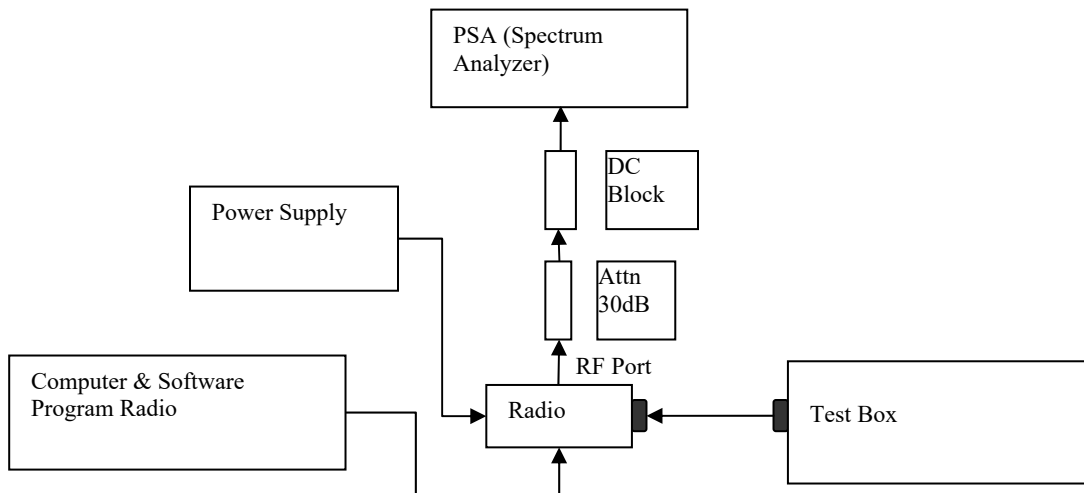
- 1) The DUT transmitter output port was connected to Modulation Analyzer.
- 2) Set the audio bandwidth filter to 15 kHz low pass filter and 50 kHz high pass filter.
- 3) Transmit the radio and set the audio analyzer to 2.5 kHz audio frequency and 50% of the rated deviation. Up the amplitude by 16 dB. Dekey the DUT.
- 4) Path loss for the measurement included.
- 5) Select the Occupied Bandwidth measurement for 99% Emissions Bandwidth Measurement.
- 6) Key in the Fc and Resolution Bandwidth (1 ~ 5 % of emission designator).
- 7) Transmit the DUT and record the occupied Bandwidth frequency.
- 8) Preset the spectrum analyzer for sideband spectrum measurement.
- 9) Set the span and Resolution Bandwidth (according to FCC/ ISED standard).
- 10) Save the screen shot as modulated signal
- 11) Remove the audio tone from audio analyzer to capture unmodulated signal.

\* Only HPF added for Mask 80.211 measurement with attenuator.

### 6.6.2. Test Result (Analog)

Not Applicable.

### 6.6.3. Test Setup (Digital)



- 1) Program and set radio to operate in desire test frequency and digital mode with modulation. (\*4FSK, C4FM or other digital modulation form).
- 2) Path loss for the measurement included.
- 3) Select the Occupied Bandwidth measurement for 99% Emissions Bandwidth Measurement.
- 4) Key in the Fc and Resolution Bandwidth (1 ~ 5 % of emission designator).
- 5) Transmit the DUT and record the occupied Bandwidth frequency.
- 6) Preset the spectrum analyzer for modulation emission spectrum measurement.
- 7) Set the span and Resolution Bandwidth (according to FCC/ ISED standard).
- 8) Capture the screen shot as modulated signal.

\*Note:

- For Digital Modulation, 12.5 kHz Data F1D & FXD would be the same. Therefore only measurements with F1D modulation shown below.
- For Digital Modulation, 12.5 kHz Data F1E & FXE would be the same. Therefore only measurements with F1E modulation shown below.

### 6.6.4. Test Result (Digital)

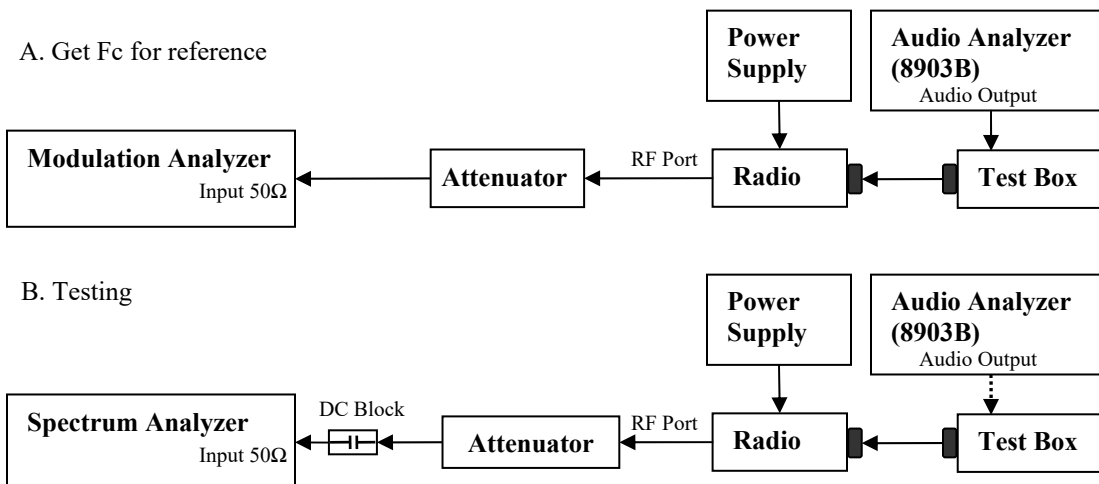
Not Applicable.

### 6.6.5. Test Limit

The 99% occupied bandwidth is the width of a frequency band such that, below the lower and above the upper frequency limits, the mean powers emitted are each equal to a specified percentage 0.5% of the total mean transmitted power.

## 6.7. Band Edge Conducted Spurious Emission (Part 22)

### 6.7.1. Test Setup (Analog)



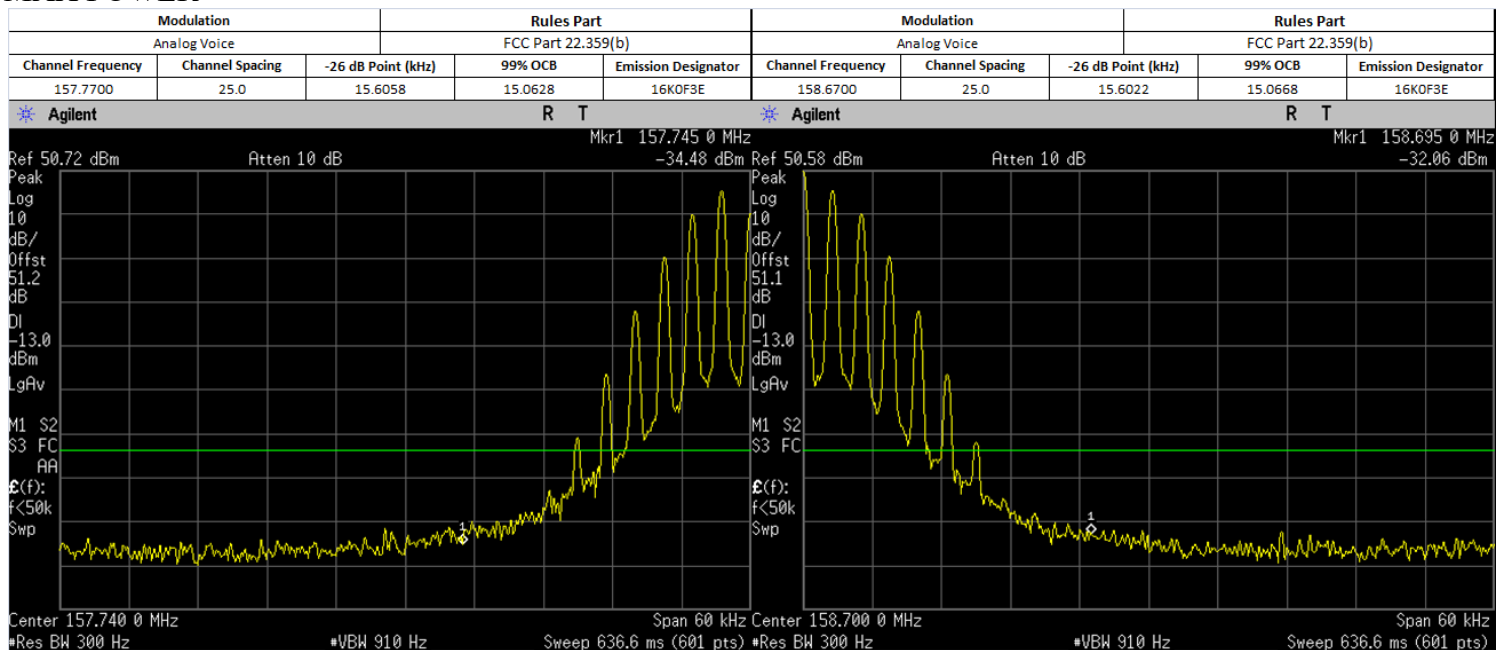
- 1) The DUT transmitter output port was connected to Modulation Analyzer.
- 2) Set the audio bandwidth filter to 15 kHz low pass filter and 50 kHz high pass filter.
- 3) Transmit the radio and set the audio analyzer to 2.5 kHz audio frequency and 50% of the rated deviation. Up the amplitude by 16 dB. Dekey the DUT.
- 4) Path loss for the measurement included.
- 5) Select the Occupied Bandwidth measurement for 99% and 26dB Emissions Bandwidth Measurement.
- 6) Key in the Fc and Resolution Bandwidth.
- 7) Transmit the DUT and record the occupied Bandwidth frequencies.
- 8) Preset the spectrum analyzer for band edge measurement.
- 9) The band edges of lowest and highest channels were measured.
- 10) Key in the Lowest and highest channel frequency, span is 60 kHz and Resolution Bandwidth is at least 1% of Emission Bandwidth.
- 11) Save the screen shot as modulated signal.
- 12) Remove the audio tone from audio analyzer to capture unmodulated signal.

\*Note:

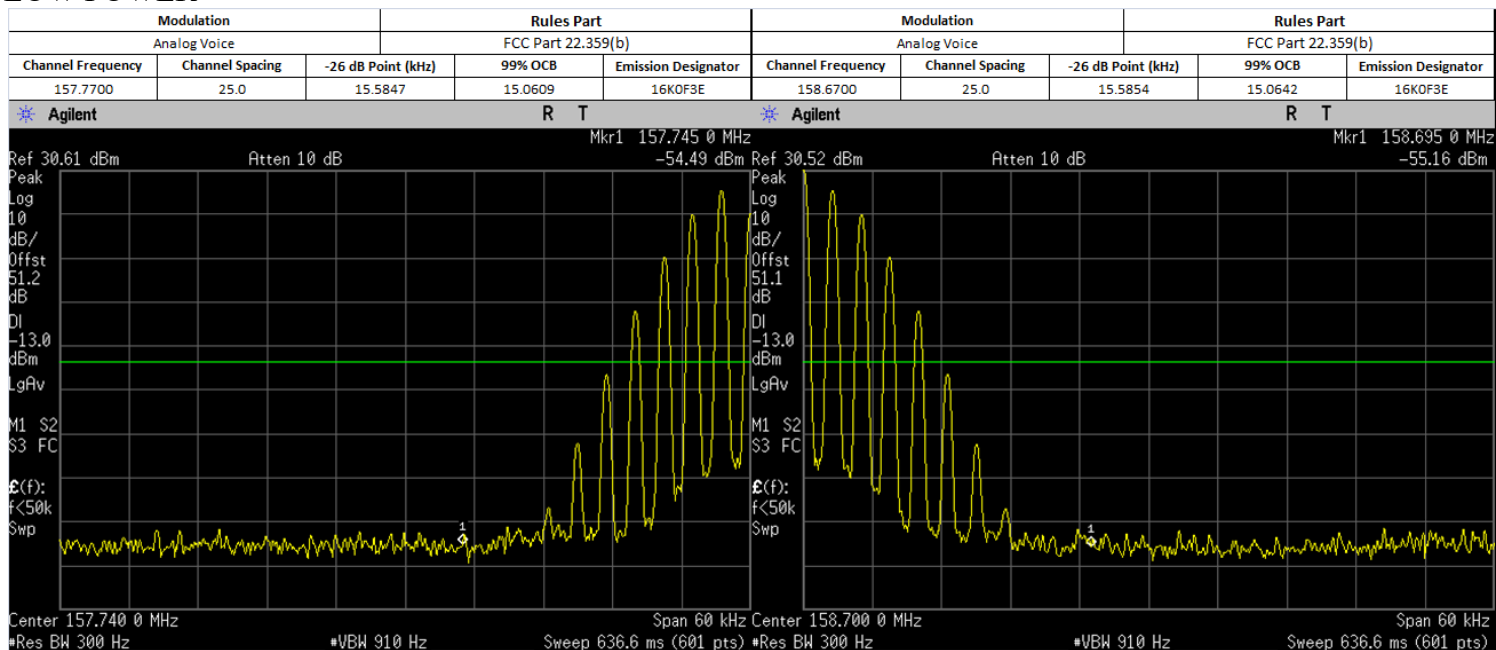
- For emission designator ending with F3E, 16K0F3E is the worst case and therefore only 16K0F3E will be shown.

### 6.7.2. Test Result (Analog)

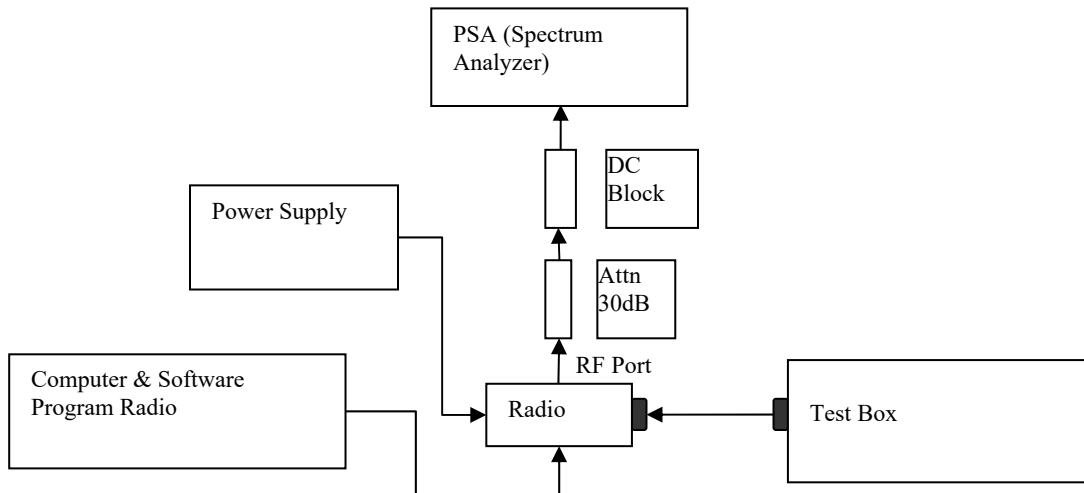
#### MAX POWER



#### LOW POWER



### 6.7.3. Test Setup (Digital)



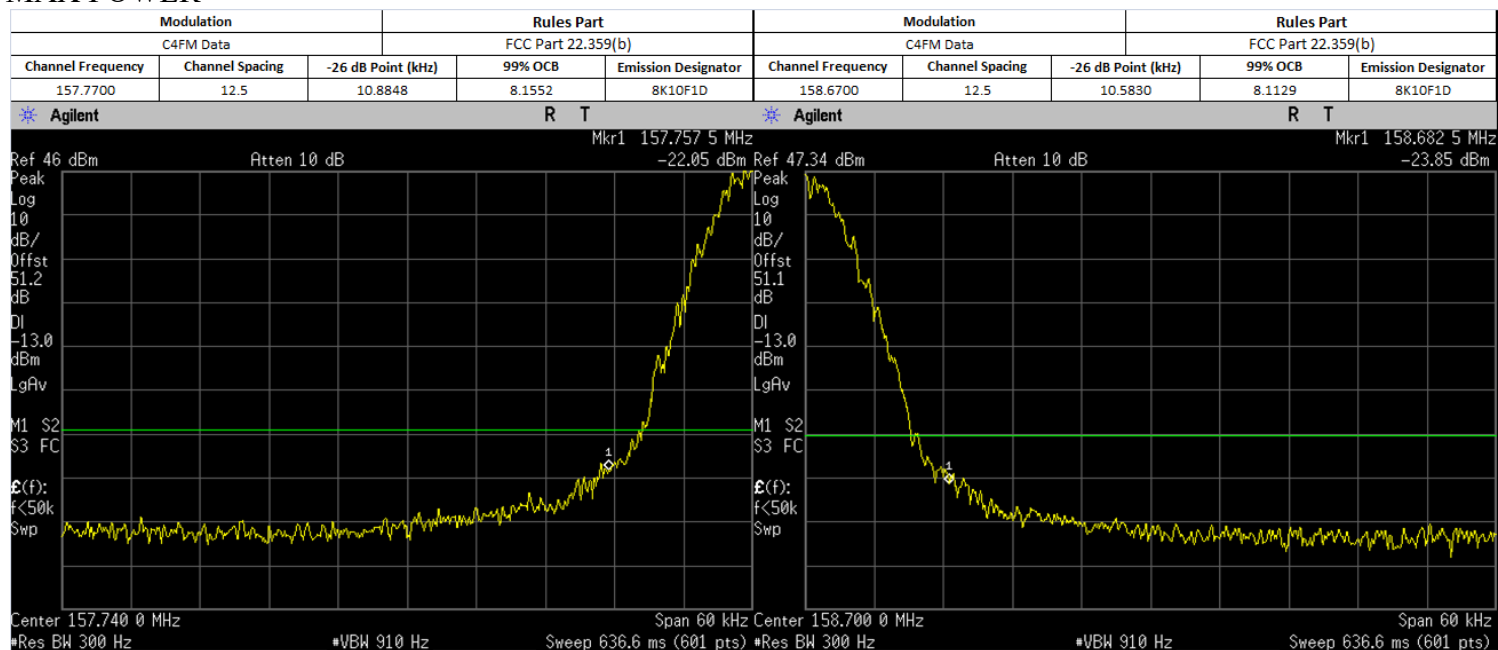
- 1) Program and set radio to operate in desire test frequency and digital mode with modulation. (\*4FSK, C4FM or other digital modulation form).
- 2) Path loss for the measurement included.
- 3) Select the Occupied Bandwidth measurement for 99% and 26dB Emissions Bandwidth Measurement.
- 4) Key in the Fc and Resolution Bandwidth.
- 5) Transmit radio record the occupied Bandwidth frequencies.
- 6) Preset the spectrum analyzer for band edge measurement.
- 7) Key in the lowest and highest channels frequency, span is 60 kHz and Resolution Bandwidth is at least 1% of Emission Bandwidth.
- 8) Save the screen shot.

\*Note:

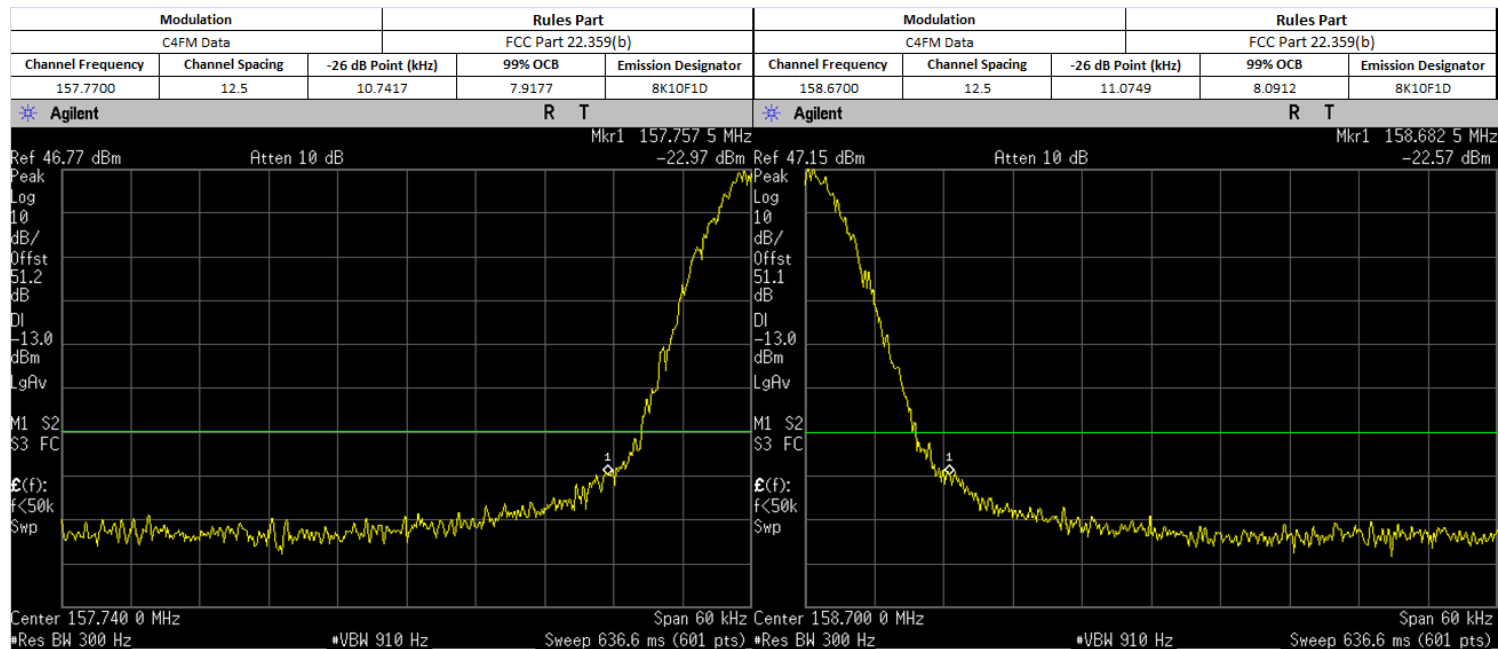
- For Digital Modulation, 12.5 kHz Data F1D & FXD would be the same. Therefore only measurements with F1D modulation shown below.
- For Digital Modulation, 12.5 kHz Data F1E & FXE would be the same. Therefore only measurements with F1E modulation shown below.

### 6.7.4. Test Result (Digital)

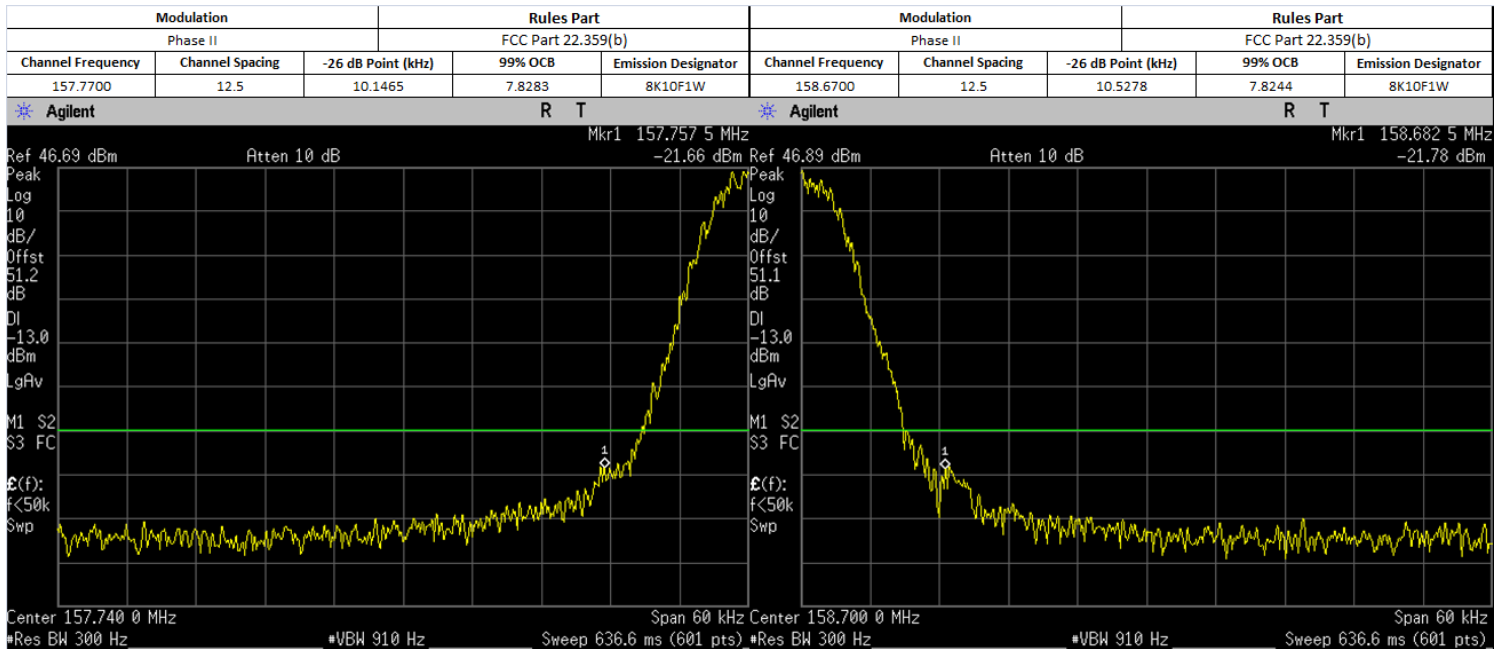
#### MAX POWER



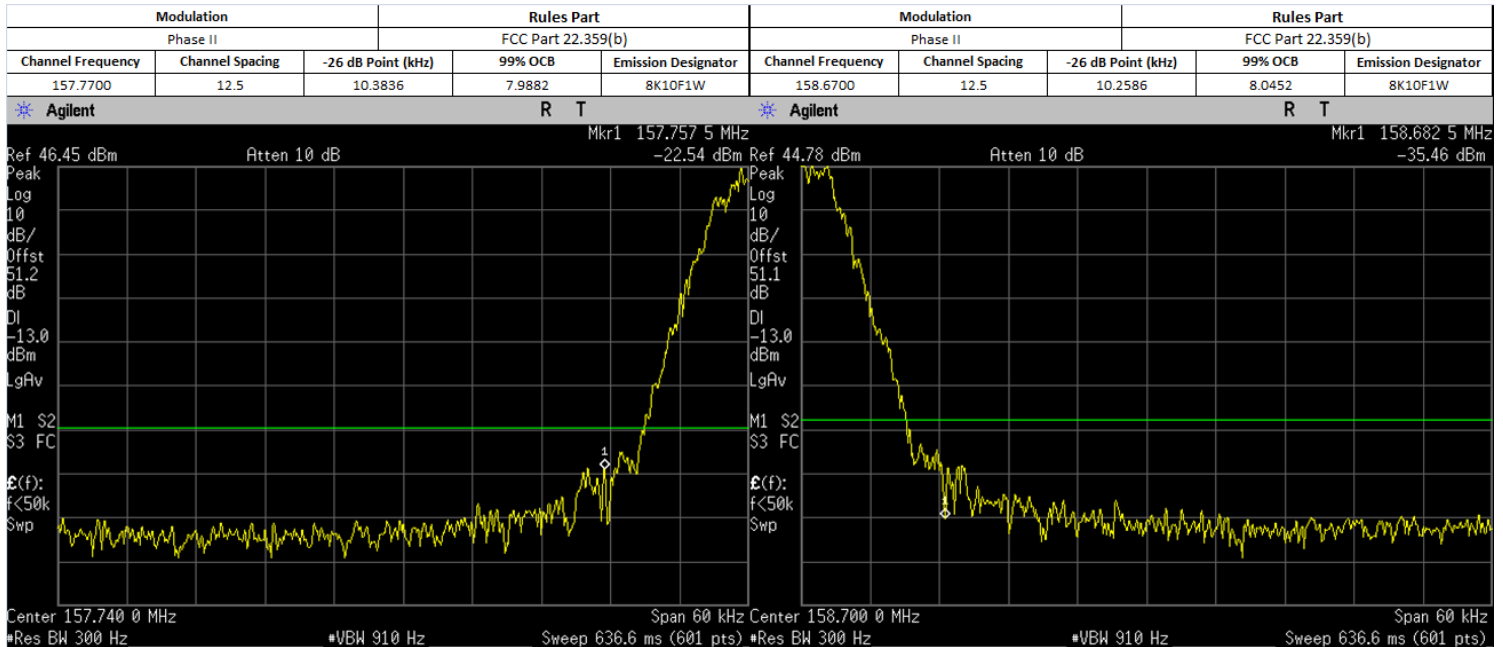
#### LOW POWER



### MAX POWER



### LOW POWER



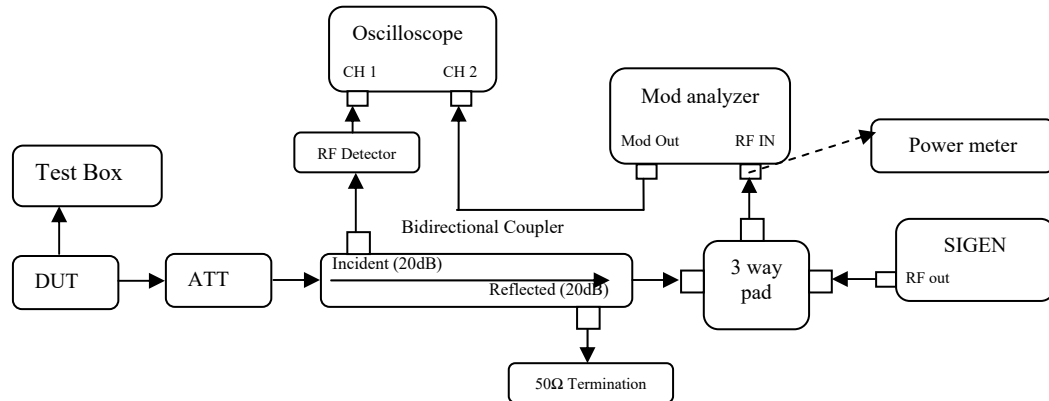
#### 6.7.5. Test Limit

The power of any emission outside of the authorized operating frequency ranges must be attenuated below the transmitting power (P) by a factor of at least  $43 + 10 \log(P)$  dB.



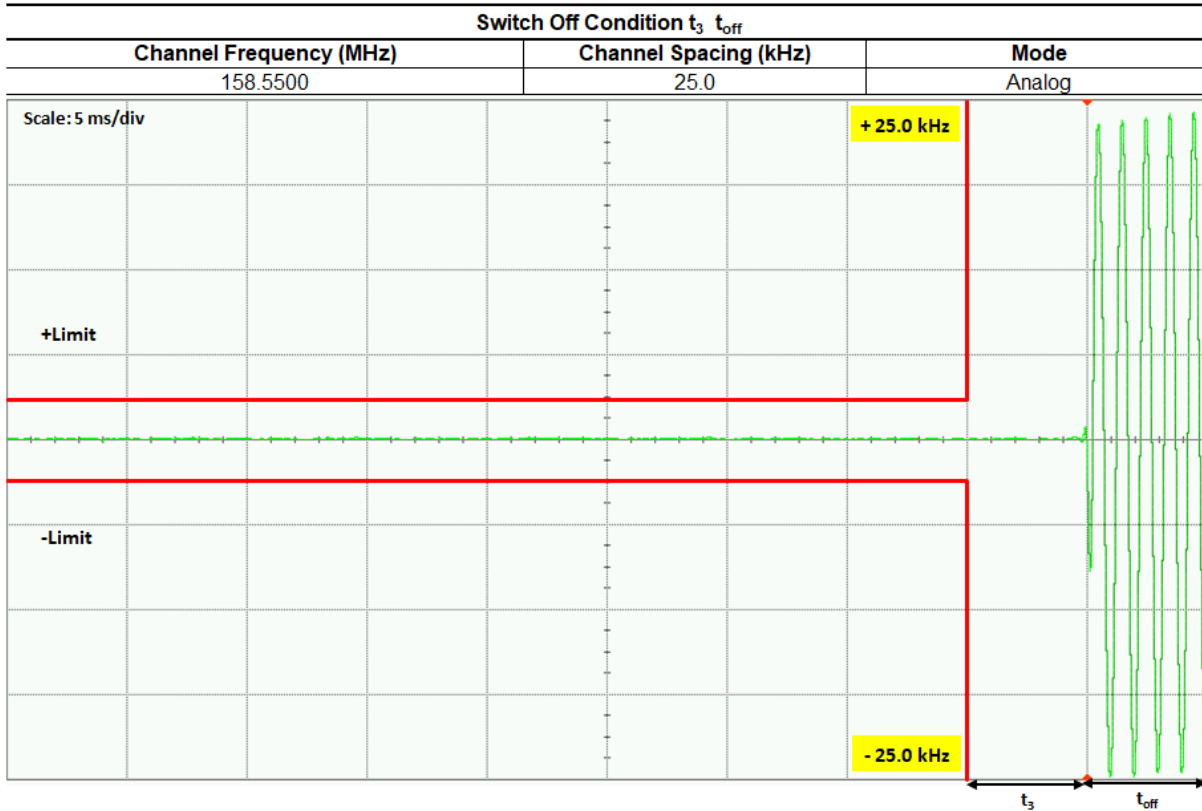
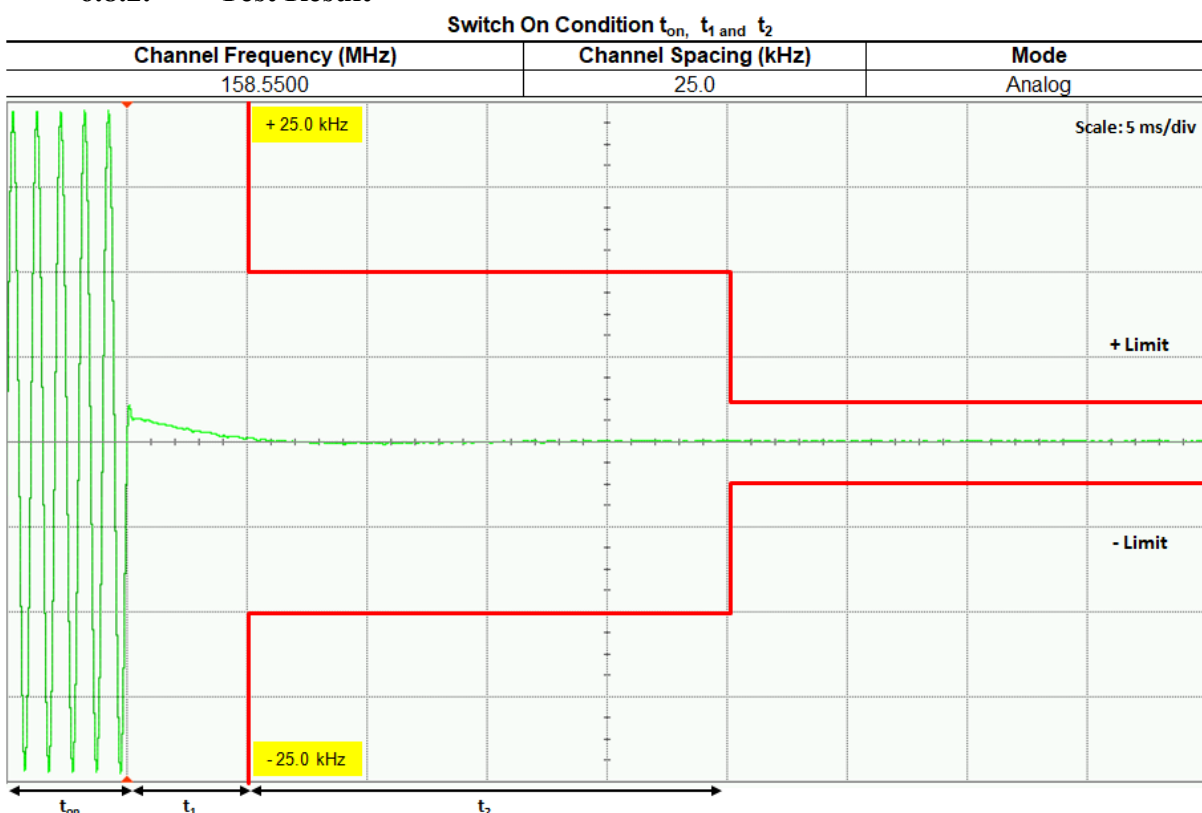
## 6.8. Transient Frequency Behavior

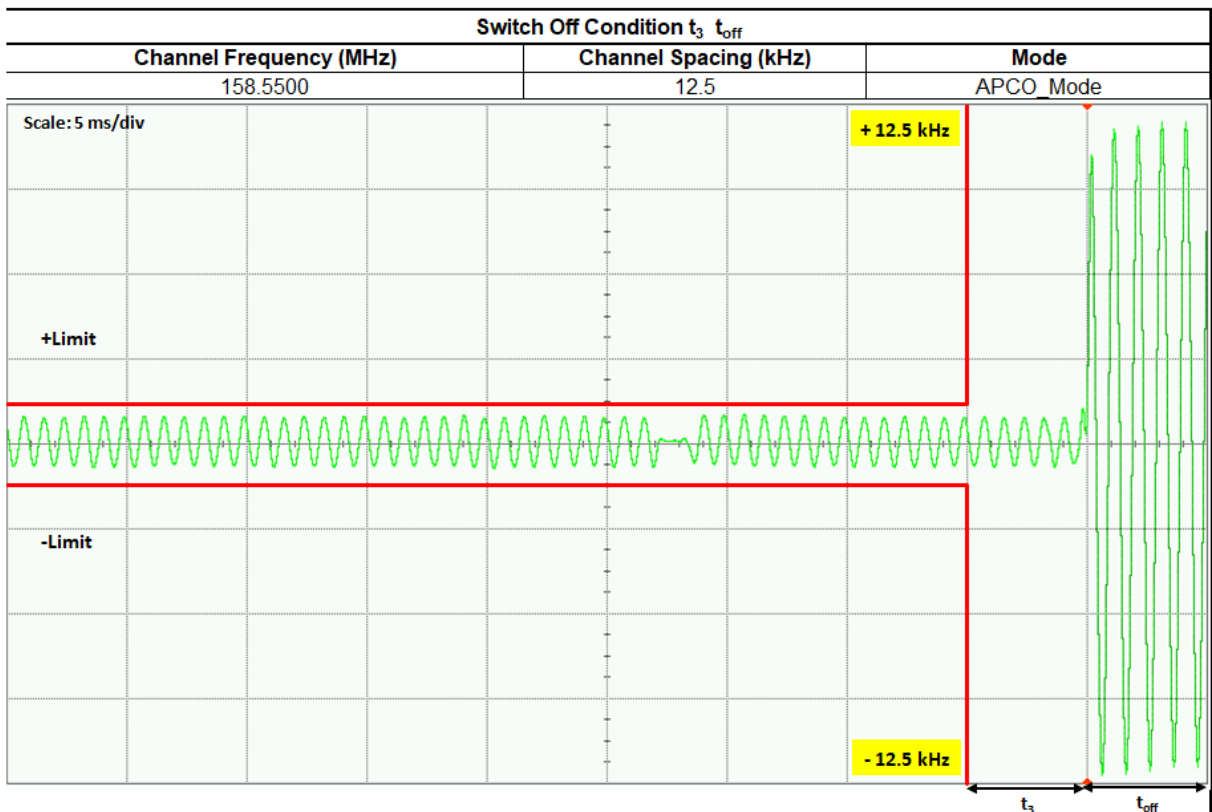
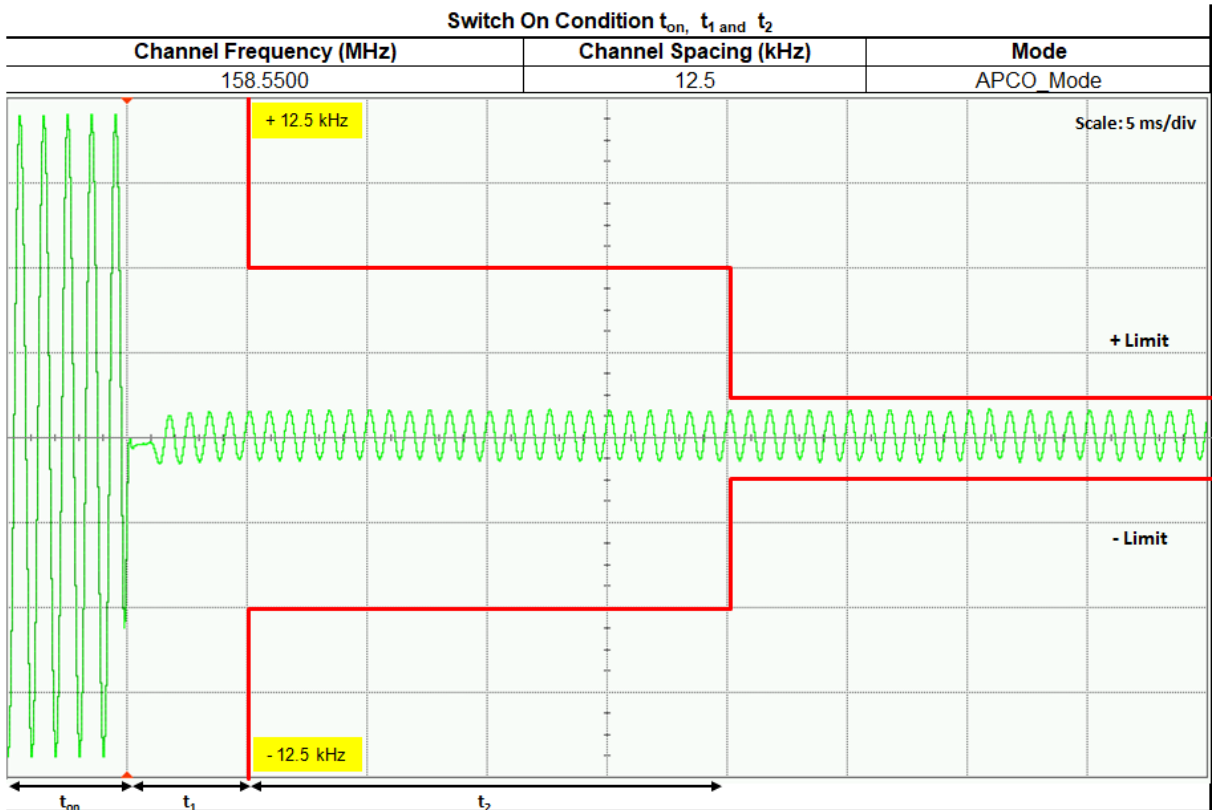
### 6.8.1. Test Setup



- 1) Connect the setup as figure above.
- 2) Path loss for the measurement included.
- 3) Set on Sigen with the assigned center frequency, internal 1 kHz FM tone.  
FM Deviation: Analog 25kHz Channel Spacing = 25 kHz  
Analog 12.5 kHz Channel Spacing = 12.5 kHz  
C4FM = 12.5 kHz
- 4) Turn on 50 kHz high pass filter and 15 kHz low pass filter on modulation analyzer.
- 5) Supply sufficient attenuation ATT to provide the output power of  $\leq -11$ dBm into power meter when DUT is keying up.
- 6) Note the power level on power meter and dekey the DUT.
- 7) Adjust the amplitude of the signal generator to the level power meter, maintained the amplitude throughout the rest of the measurement.
- 8) Connect the output to modulation analyzer.
- 9) Reduce 30dB attenuation and transmit the radio to get the trigger line.
- 10) Capture the screen shot for key-up (rising edge) and de-key (falling edge) mode.

### 6.8.2. Test Result





### 6.8.3. Test Limit

Transmitters designed to operate in the 150-174 MHz and 421-512 MHz frequency bands must maintain transient frequencies within the maximum frequency difference limits during the time intervals indicated:

Time intervals <sup>1 2</sup>	Maximum frequency difference <sup>3</sup>	All equipment	
		150 to 174 MHz	421 to 512 MHz
Transient Frequency Behavior for Equipment Designed to Operate on 25 kHz Channels			
t <sub>1</sub> <sup>4</sup>	±25.0 kHz	5.0 ms	10.0 ms
t <sub>2</sub>	±12.5 kHz	20.0 ms	25.0 ms
t <sub>3</sub> <sup>4</sup>	±25.0 kHz	5.0 ms	10.0 ms
Transient Frequency Behavior for Equipment Designed to Operate on 12.5 kHz Channels			
t <sub>1</sub> <sup>4</sup>	±12.5 kHz	5.0 ms	10.0 ms
t <sub>2</sub>	±6.25 kHz	20.0 ms	25.0 ms
t <sub>3</sub> <sup>4</sup>	±12.5 kHz	5.0 ms	10.0 ms
Transient Frequency Behavior for Equipment Designed to Operate on 6.25 kHz Channels			
t <sub>1</sub> <sup>4</sup>	±6.25 kHz	5.0 ms	10.0 ms
t <sub>2</sub>	±3.125 kHz	20.0 ms	25.0 ms
t <sub>3</sub> <sup>4</sup>	±6.25 kHz	5.0 ms	10.0 ms

<sup>1</sup> t<sub>on</sub> is the instant when a 1 kHz test signal is completely suppressed, including any capture time due to phasing.

t<sub>1</sub> is the time period immediately following t<sub>on</sub>.

t<sub>2</sub> is the time period immediately following t<sub>1</sub>.

t<sub>3</sub> is the time period from the instant when the transmitter is turned off until t<sub>off</sub>.

t<sub>off</sub> is the instant when the 1 kHz test signal starts to rise.

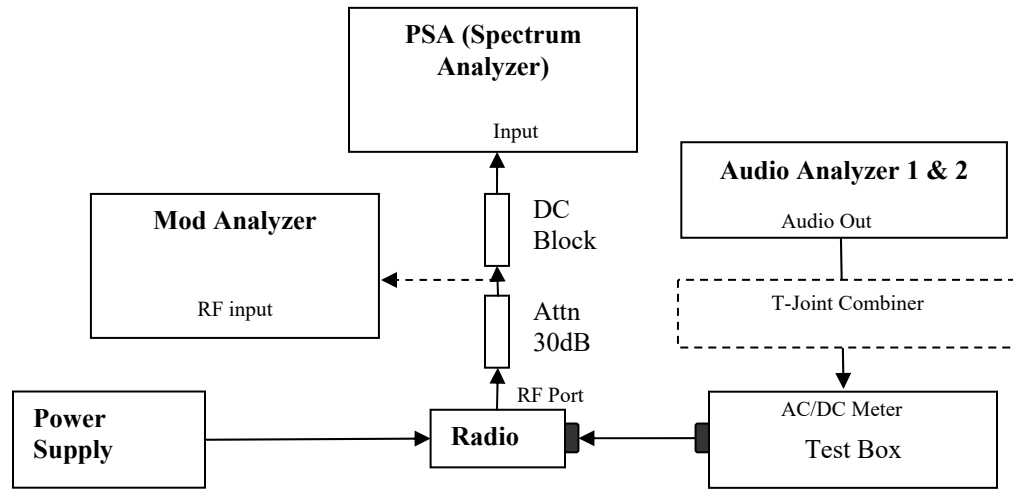
<sup>2</sup> During the time from the end of t<sub>2</sub> to the beginning of t<sub>3</sub>, the frequency difference must not exceed the limits specified in §90.213.

<sup>3</sup> Difference between the actual transmitter frequency and the assigned transmitter frequency.

<sup>4</sup> If the transmitter carrier output power rating is 6 watts or less, the frequency difference during this time period may exceed the maximum frequency difference for this time period.

## 6.9. Adjacent Channel Power

### 6.9.1. Test Setup (Analog)

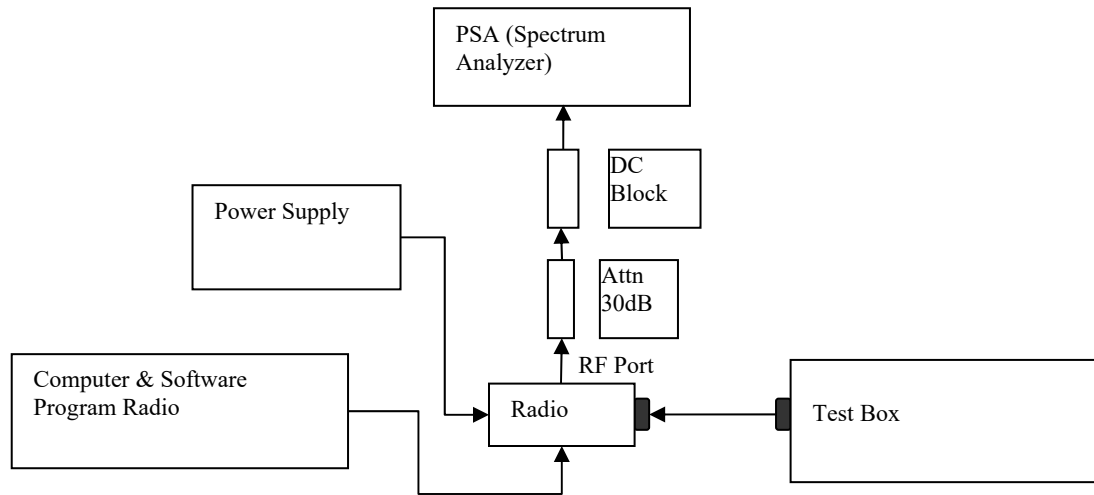


- 1) The DUT transmitter output port was connected to modulation analyzer.
- 2) Transmit the radio and turn on 1<sup>st</sup> audio analyzer with audio frequency 650Hz, 50% rated deviation, and record the amplitude value as AmpT1.
- 3) Turn off Audio analyzer 1 and turn on audio analyzer 2, set the audio frequency to 2.2 kHz and 50% deviation. Record the amplitude as AmpT2.
- 4) Turn both audio analyzers ON and up 10dB amplitude level.
- 5) Connect the output to PSA and set to assigned center frequency.
- 6) Set Span, Resolution Bandwidth and Video Bandwidth per rules part.
- 7) Transmit the radio and record the Adjacent Channel Power value in dBc.

### 6.9.2. Test Result

Not Applicable.

### 6.9.3. Test Setup (Digital)



- 1) Program and set radio to operate in desire test frequency and digital mode with modulation. (4FSK, C4FM or other digital modulation form).
- 2) Prepare setup as per picture.
- 3) Turn on the ACP Measurement – Press Measure, ACP.
- 4) Set Span, Resolution Bandwidth and Video Bandwidth as per rules part.
- 5) Transmit the radio and record the Adjacent Channel Power value in dBc.

### 6.9.4. Test Result

**Not Applicable.**

### 6.9.5. Test Limit

#### 12.5 kHz MOBILE TRANSMITTER ACP REQUIREMENTS

Offset from center frequency (kHz)	Measurement bandwidth (kHz)	Maximum ACP relative (dBc)
9.375	6.25	-40
15.625	6.25	-60
21.875	6.25	-60
37.50	25.00	-60
62.50	25.00	-65
87.50	25.00	-65
150.00	100	-65
250.00	100	-65
350.00	100	-65
>400 to 12 MHz	30 (s)	-75
12 MHz to paired receive band	30 (s)	-75
In the paired receive band	30 (s)	-100

#### 25 kHz MOBILE TRANSMITTER ACP REQUIREMENTS

Offset from center frequency (kHz)	Measurement bandwidth (kHz)	Maximum ACP relative (dBc)
15.625	6.25	-40
21.875	6.25	-60
37.50	25	-60
62.50	25	-65
87.50	25	-65
150.00	100	-65
250.00	100	-65
350.00	100	-65
>400 kHz to 12 MHz	30 (s)	-75
12 MHz to paired receive band	30 (s)	-75
In the paired receive band	30 (s)	-100

**12.5 kHz BASE TRANSMITTER ACP REQUIREMENTS**

Offset from center frequency (kHz)	Measurement bandwidth (kHz)	Maximum ACP (dBc)
9.375	6.25	-40
15.625	6.25	-60
21.875	6.25	-60
37.5	25	-60
62.5	25	-65
87.5	25	-65
150	100	-65
250	100	-65
350.00	100	-65
>400 kHz to 12 MHz	30 (s)	-80
12 MHz to paired receive band	30 (s)	-80
In the paired receive band	30 (s)	1-85

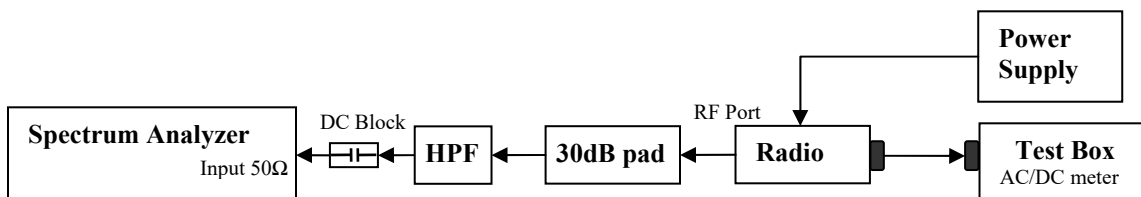
**25 kHz BASE TRANSMITTER ACP REQUIREMENTS**

Offset from center frequency (kHz)	Measurement bandwidth (kHz)	Maximum ACP (dBc)
15.625	6.25	-40
21.875	6.25	-60
37.5	25	-60
62.5	25	-65
87.5	25	-65
150	100	-65
250	100	-65
350	100.00	-65
>400 kHz to 12 MHz	30 (s)	-80
12 MHz to paired receive band	30 (s)	-80
In the paired receive band	30 (s)	1-85



## 6.10. Conducted Spurious Emission

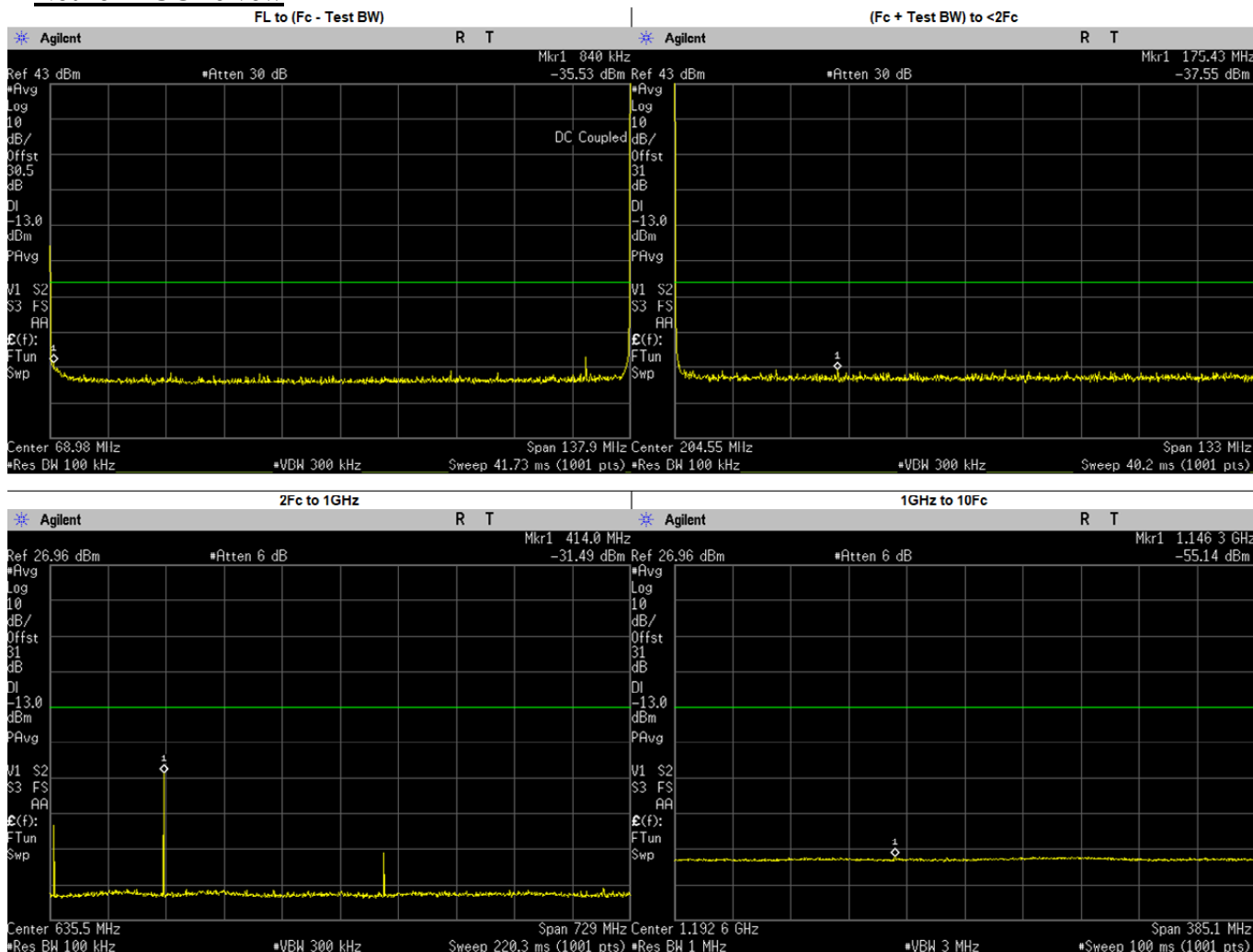
### 6.10.1. Test Setup



- 1) The DUT transmitter output port was connected to Spectrum Analyzer with above setup.
- 2) Program and set radio to operate in desire test frequency and mode. (Analog / digital modulation form).
- 3) Path loss for the measurement included.
- 4) Set the PSA Resolution Bandwidth as per rules part.
- 5) Set the Ref offset from the pathloss offset calibration file.
- 6) Adjust the center frequency of the spectrum analyzer for incremental coverage of the range from:
  - a. 9 KHz to  $F_c - \text{Test Bandwidth}$
  - b.  $F_c + \text{Test Bandwidth}$  to  $2F_c - 5\text{MHz}$ .
- 7) Key up the DUT, Peak Search the highest Spur and record the levels of spurious emissions
- 8) Dekey the DUT.
- 9) Turn On High Pass Filter path and Key up the DUT.
- 10) Adjust the PSA Freq for incremental coverage of range from  $2F_c$  to  $10F_c$
- 11) Key up the DUT and record the highest spur levels of spurious emissions.

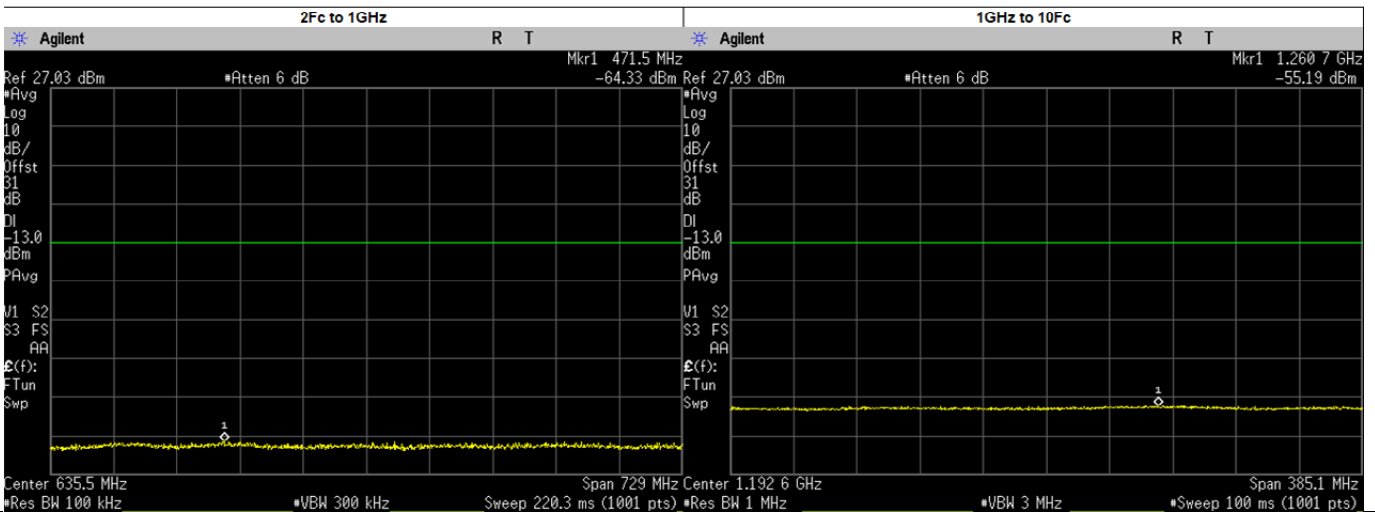
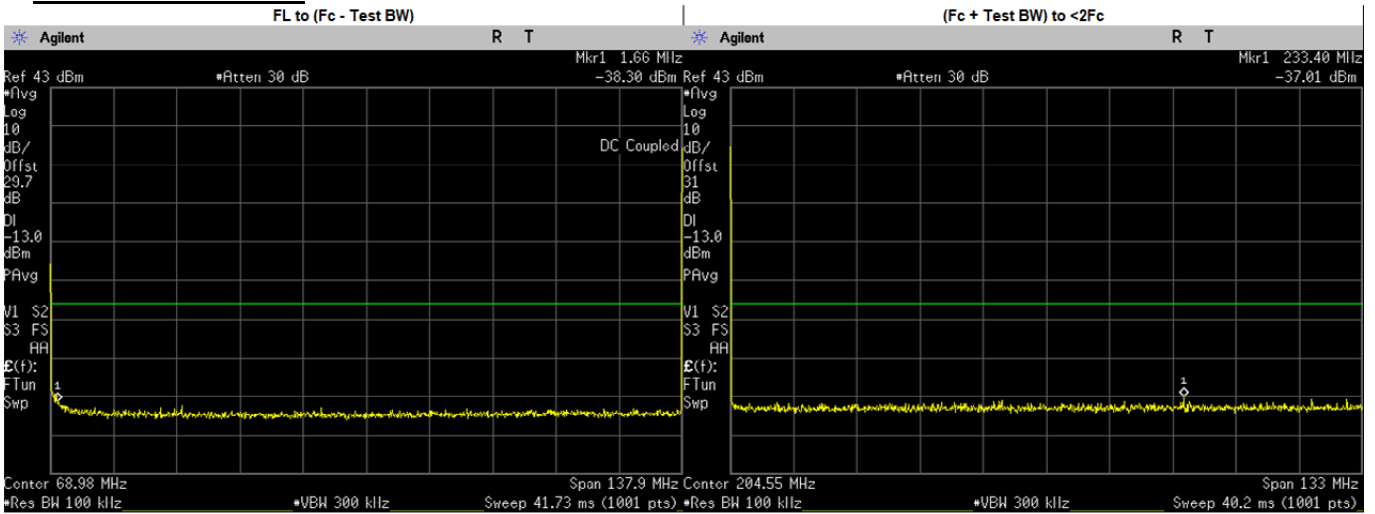
### 6.10.2. Test Result (Analog)

**Analog: 138.0125. MHz, 25. kHz Channel Spacing, Max. Power**  
**Not for FCC reivew**



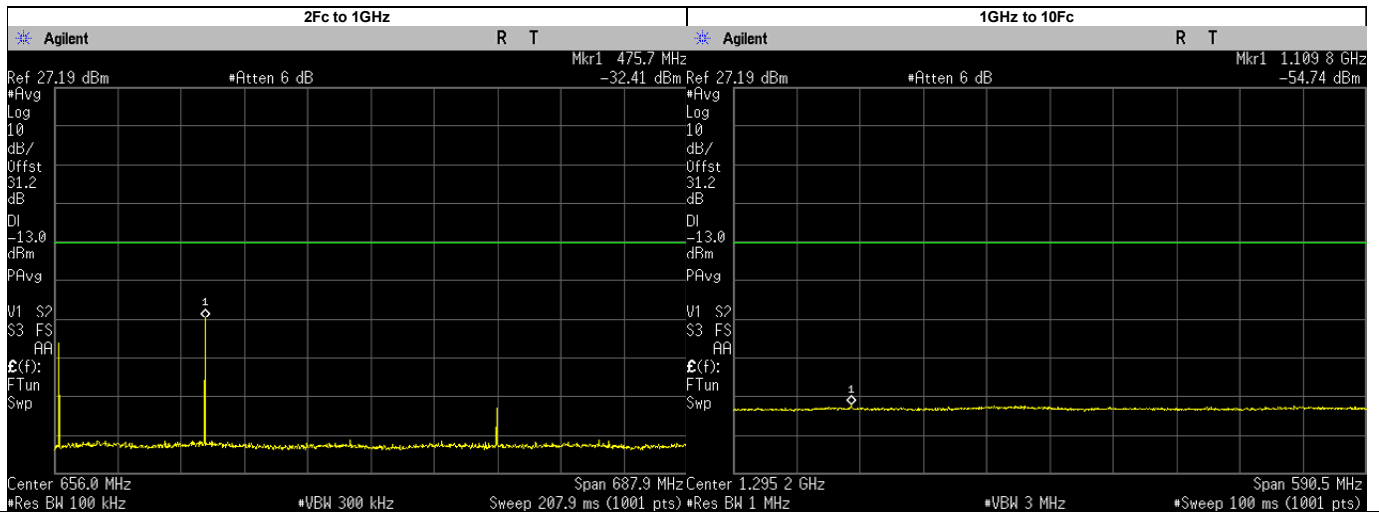
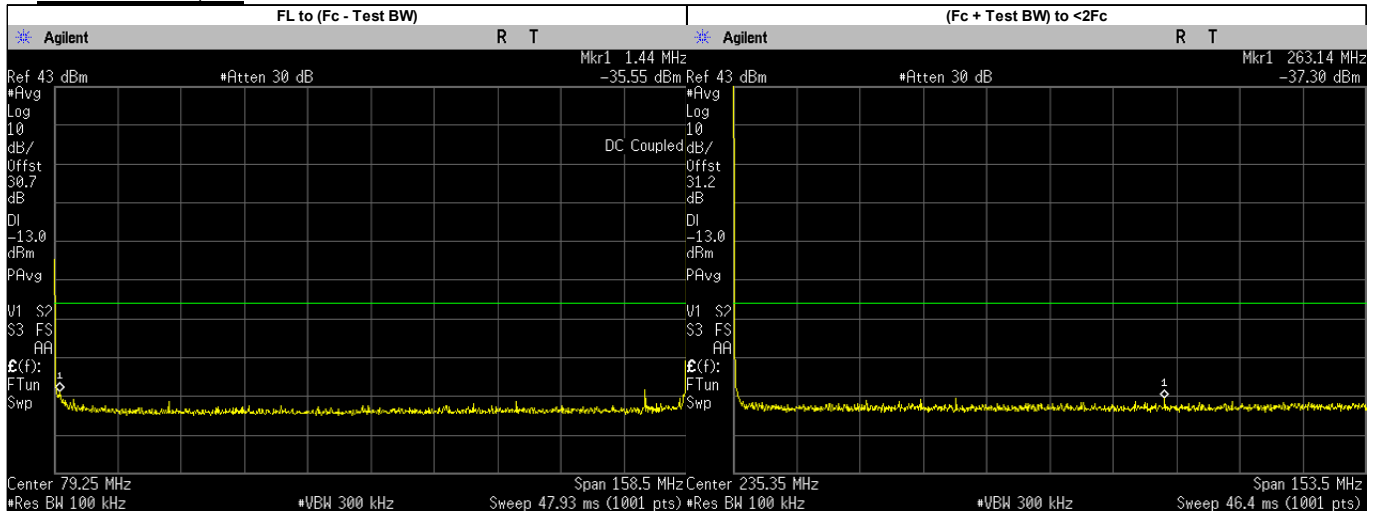
Frequency Range	Highest Spur Frequency (MHz)	Spurious Level (dBm)	Failing Limit (dBm)	Results
FL to (Fc - Test BW)	0.8400	-35.5330	-13.00	PASS
(Fc + Test BW) to <2Fc	175.4290	-37.5500	-13.00	PASS
2Fc to 1GHz	414.0000	-31.4900	-13.00	PASS
	276.0250	-49.2729	-13.00	PASS
	414.0375	-37.7641	-13.00	PASS
	552.0500	-65.0082	-13.00	PASS
	690.0625	-56.1547	-13.00	PASS
	828.0750	-65.5142	-13.00	PASS
	966.0875	-64.4102	-13.00	PASS
1GHz to 10Fc	1146.3480	-55.1400	-13.00	PASS
	1104.1000	-56.0265	-13.00	PASS
	1242.1120	-55.5086	-13.00	PASS
	1380.1250	-56.2160	-13.00	PASS

**Analog: 138.0125. MHz, 25. kHz Channel Spacing, Low. Power**  
**Not for FCC review**



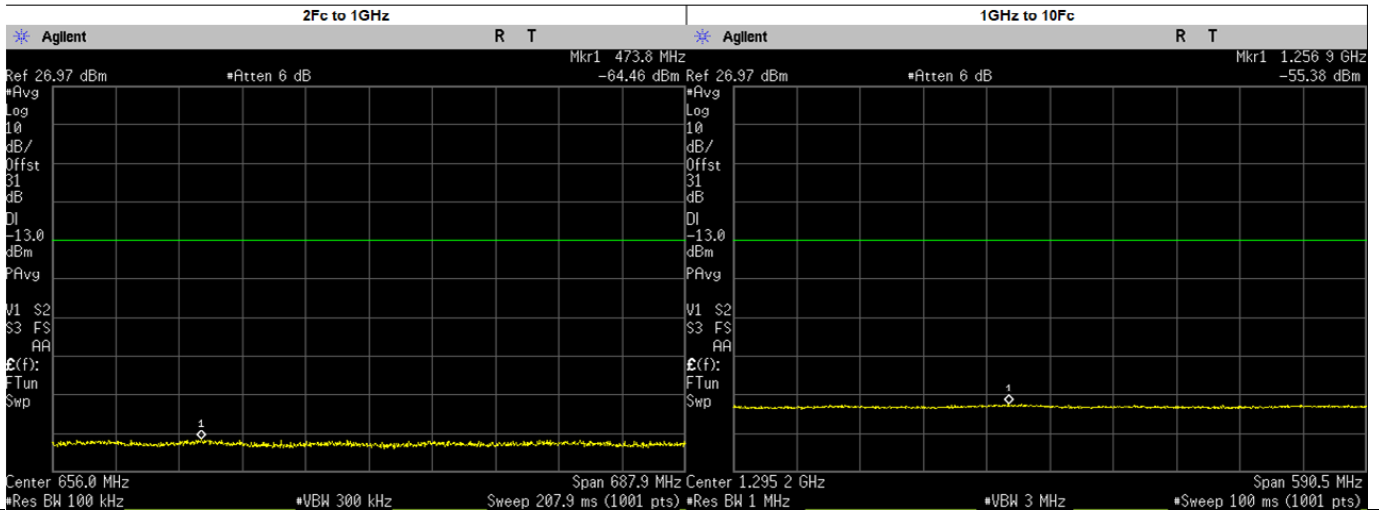
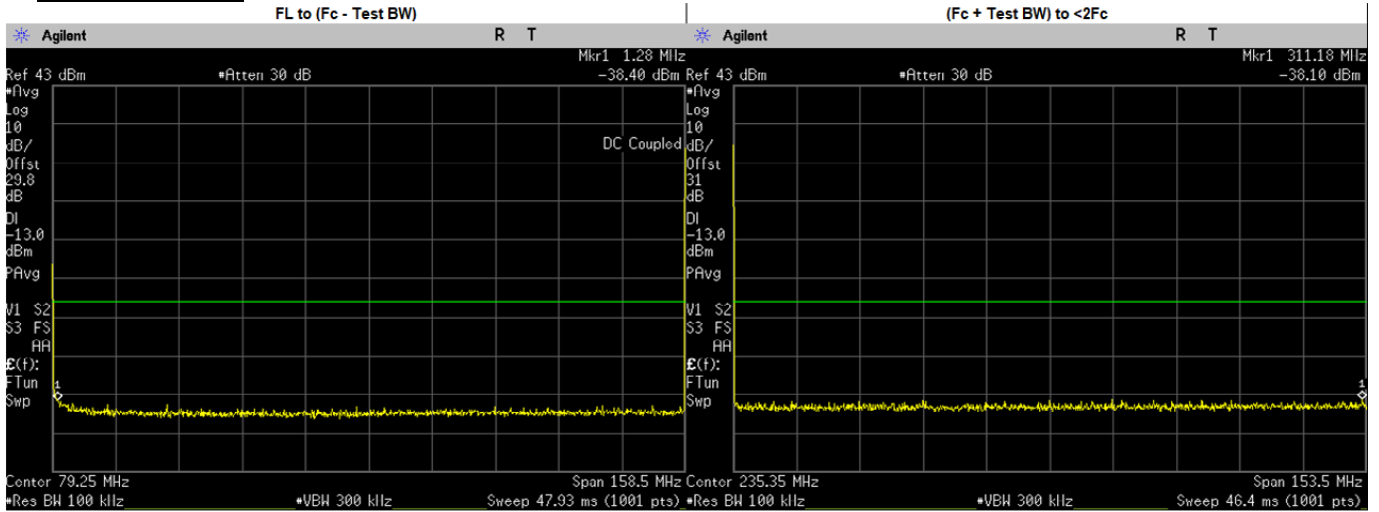
Frequency Range	Highest Spur Frequency (MHz)	Spurious Level (dBm)	Failing Limit (dBm)	Results
FL to (Fc - Test BW)	1.6600	-38.2960	-13.00	PASS
(Fc + Test BW) to <2Fc	233.3982	-37.0100	-13.00	PASS
2Fc to 1GHz	471.4931	-64.3300	-13.00	PASS
	276.0250	-66.3278	-13.00	PASS
	414.0375	-65.7768	-13.00	PASS
	552.0500	-65.7843	-13.00	PASS
	690.0625	-66.4765	-13.00	PASS
	828.0750	-65.9427	-13.00	PASS
	966.0875	-66.0188	-13.00	PASS
1GHz to 10Fc	1260.7300	-55.1900	-13.00	PASS
	1104.1000	-55.6673	-13.00	PASS
	1242.1120	-55.6066	-13.00	PASS
	1380.1250	-56.0462	-13.00	PASS

**Analog: 158.55. MHz, 25. kHz Channel Spacing, Max. Power  
 For Part 22, 80**



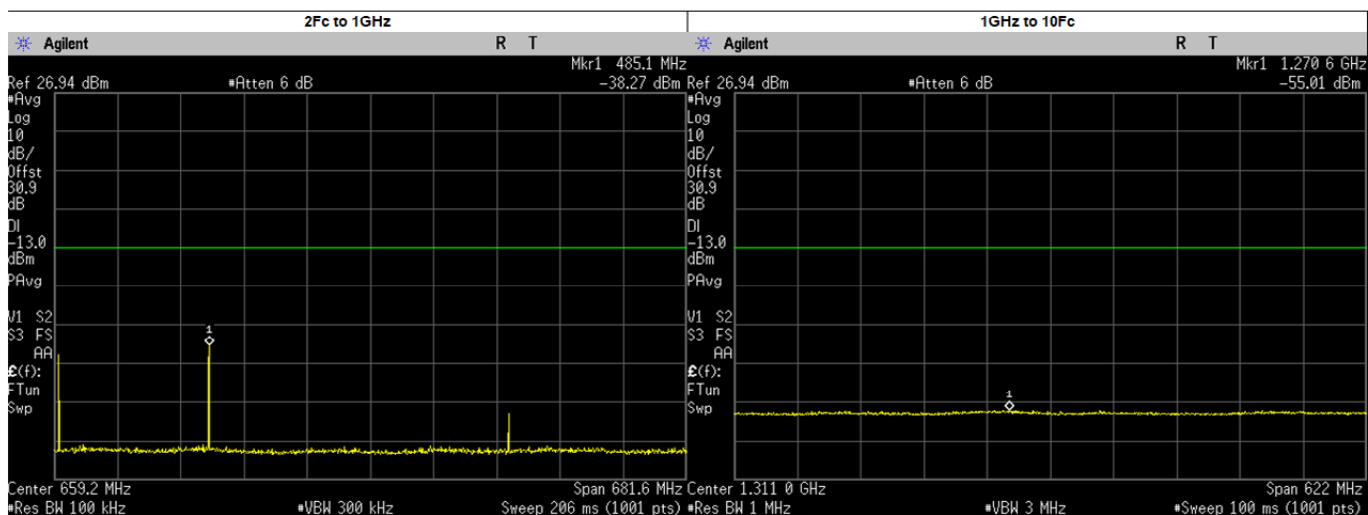
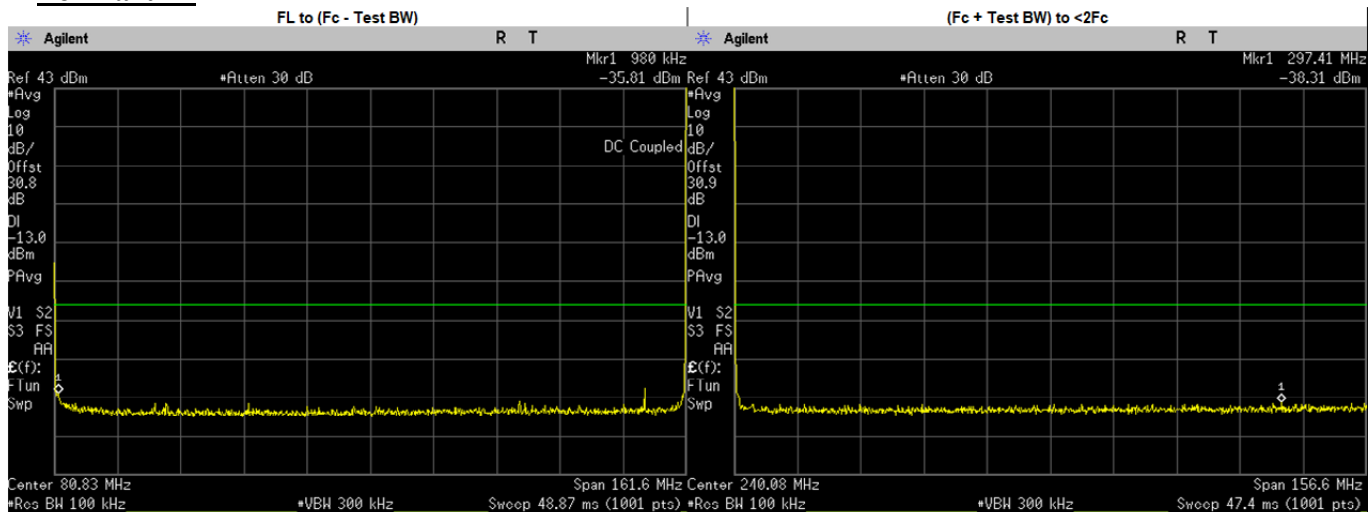
Frequency Range	Highest Spur Frequency (MHz)	Spurious Level (dBm)	Failing Limit (dBm)	Results
FL to (Fc - Test BW)	1.4400	-35.5530	-13.00	PASS
(Fc + Test BW) to <2Fc	263.1353	-37.3000	-13.00	PASS
2Fc to 1GHz	475.7000	-32.4100	-13.00	PASS
	317.1000	-46.0337	-13.00	PASS
	475.6500	-40.3172	-13.00	PASS
	634.2000	-64.4204	-13.00	PASS
	792.7500	-58.2111	-13.00	PASS
	951.3000	-65.7018	-13.00	PASS
1GHz to 10Fc	1109.8000	-54.7400	-13.00	PASS
	1109.8500	-54.7650	-13.00	PASS
	1268.4000	-55.5900	-13.00	PASS
	1426.9500	-55.8778	-13.00	PASS
	1585.5000	-55.6986	-13.00	PASS

**Analog: 158.55. MHz, 25. kHz Channel Spacing, Low. Power  
 For Part 22, 80**



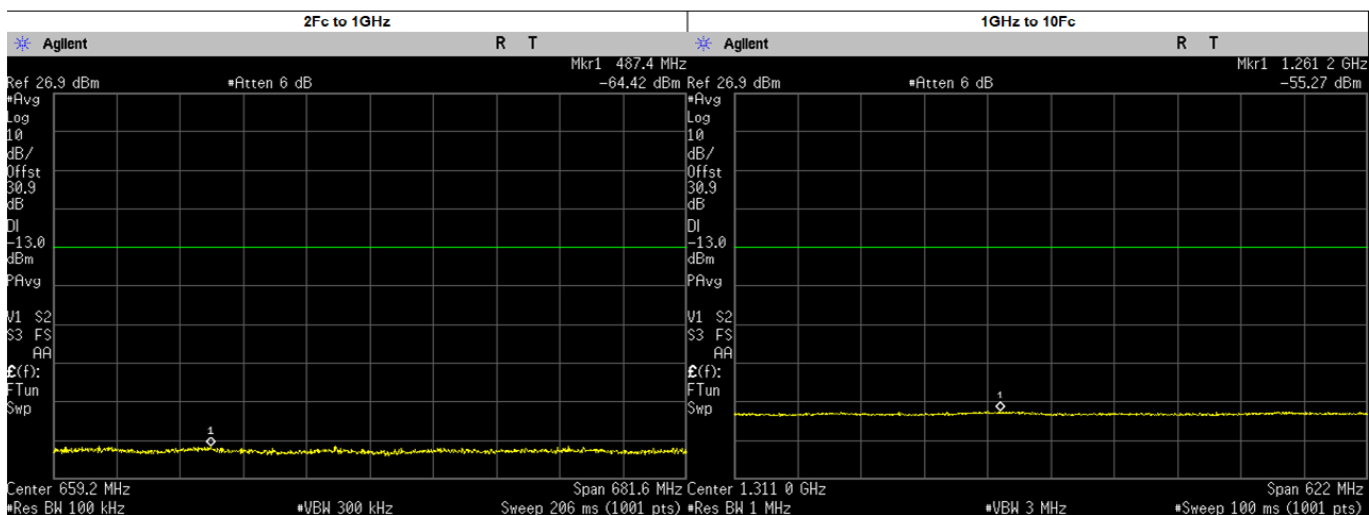
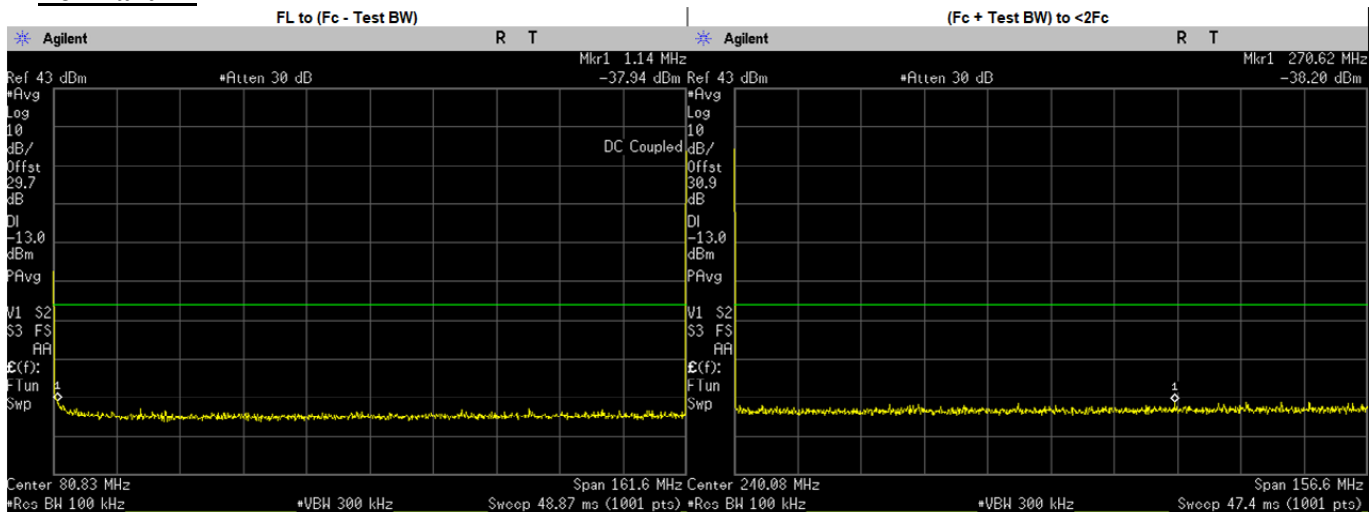
Frequency Range	Highest Spur Frequency (MHz)	Spurious Level (dBm)	Failing Limit (dBm)	Results
FL to (Fc - Test BW)	1.2800	-38.3960	-13.00	PASS
(Fc + Test BW) to <2Fc	311.1790	-38.1000	-13.00	PASS
2Fc to 1GHz	473.7565	-64.4600	-13.00	PASS
	317.1000	-65.7895	-13.00	PASS
	475.6500	-65.3255	-13.00	PASS
	634.2000	-65.1440	-13.00	PASS
	792.7500	-65.9212	-13.00	PASS
	951.3000	-66.0349	-13.00	PASS
1GHz to 10Fc	1256.8680	-55.3800	-13.00	PASS
	1109.8500	-55.8937	-13.00	PASS
	1268.4000	-55.5172	-13.00	PASS
	1426.9500	-56.1632	-13.00	PASS
	1585.5000	-55.8418	-13.00	PASS

**Analog: 161.7. MHz, 25.kHz Channel Spacing, Max. Power  
 For Part 74**



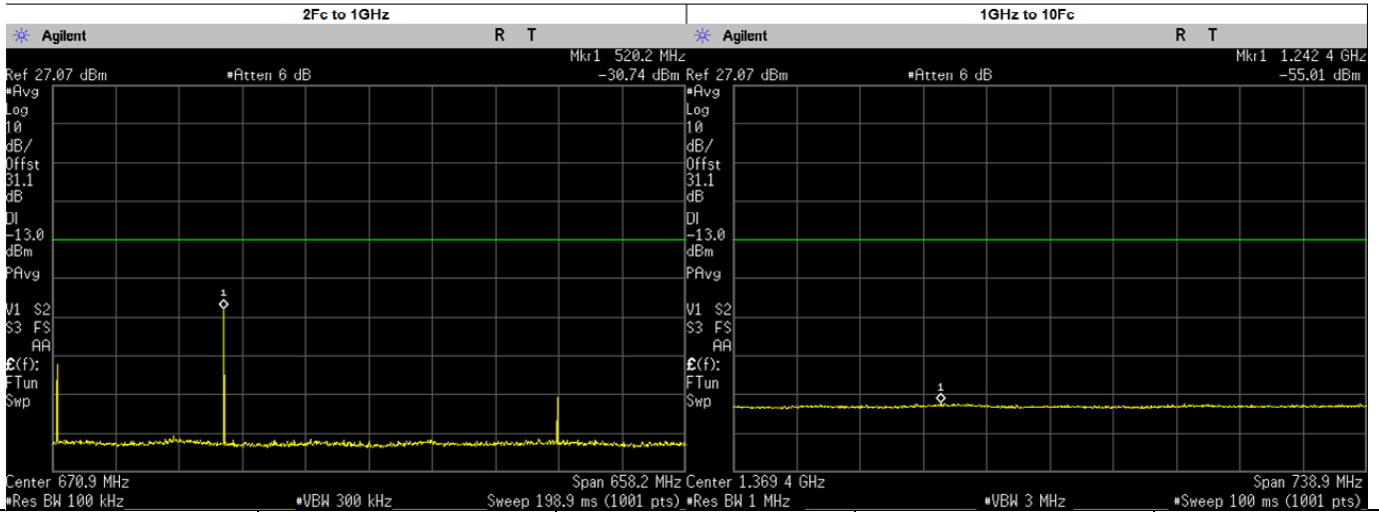
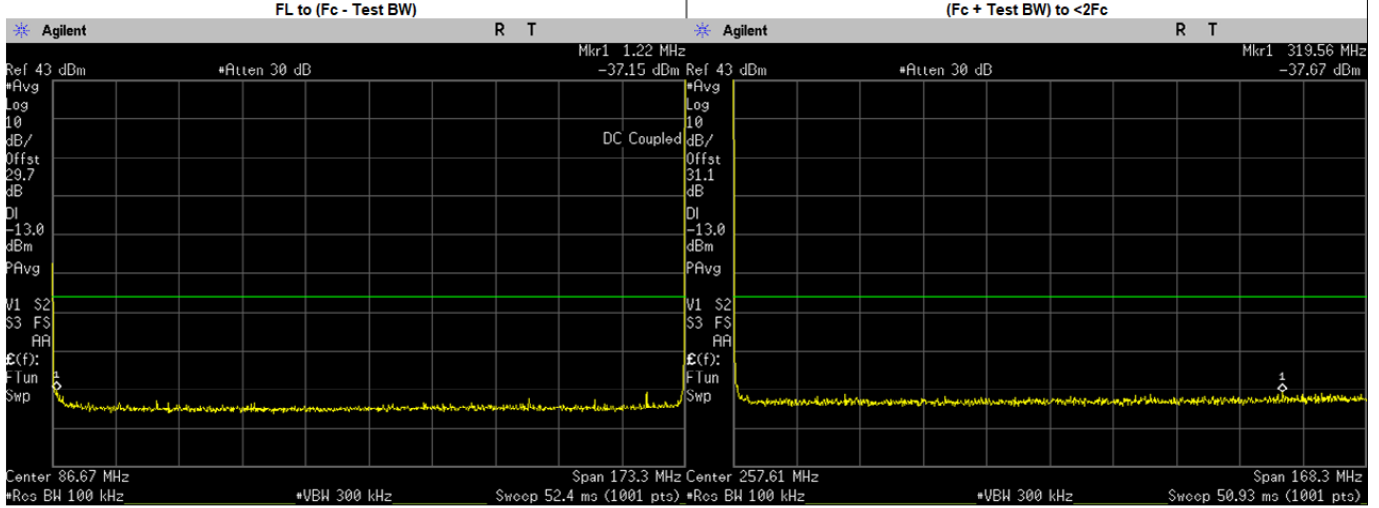
Frequency Range	Highest Spur Frequency (MHz)	Spurious Level (dBm)	Failing Limit (dBm)	Results
FL to (Fc - Test BW)	0.9800	-35.8140	-13.00	PASS
(Fc + Test BW) to <2Fc	297.4097	-38.3100	-13.00	PASS
2Fc to 1GHz	485.1000	-38.2700	-13.00	PASS
	323.4000	-48.6843	-13.00	PASS
	485.1000	-40.6177	-13.00	PASS
	646.8000	-65.4155	-13.00	PASS
	808.5000	-56.5385	-13.00	PASS
	970.2000	-65.4491	-13.00	PASS
1GHz to 10Fc	1270.5700	-55.0100	-13.00	PASS
	1131.9000	-55.5305	-13.00	PASS
	1293.6000	-56.0556	-13.00	PASS
	1455.3000	-56.1867	-13.00	PASS
	1617.0000	-56.0399	-13.00	PASS

**Analog: 161.7. MHz, 25.kHz Channel Spacing, Low. Power  
 For Part 74**



Frequency Range	Highest Spur Frequency (MHz)	Spurious Level (dBm)	Failing Limit (dBm)	Results
FL to (Fc - Test BW)	1.1400	-37.9400	-13.00	PASS
(Fc + Test BW) to <2Fc	270.6235	-38.2000	-13.00	PASS
2Fc to 1GHz	487.4368	-64.4200	-13.00	PASS
	323.4000	-65.2972	-13.00	PASS
	485.1000	-65.1550	-13.00	PASS
	646.8000	-65.9086	-13.00	PASS
	808.5000	-66.0572	-13.00	PASS
	970.2000	-65.7508	-13.00	PASS
1GHz to 10Fc	1261.2400	-55.2700	-13.00	PASS
	1131.9000	-56.3333	-13.00	PASS
	1293.6000	-56.0745	-13.00	PASS
	1455.3000	-56.2850	-13.00	PASS
	1617.0000	-55.8202	-13.00	PASS

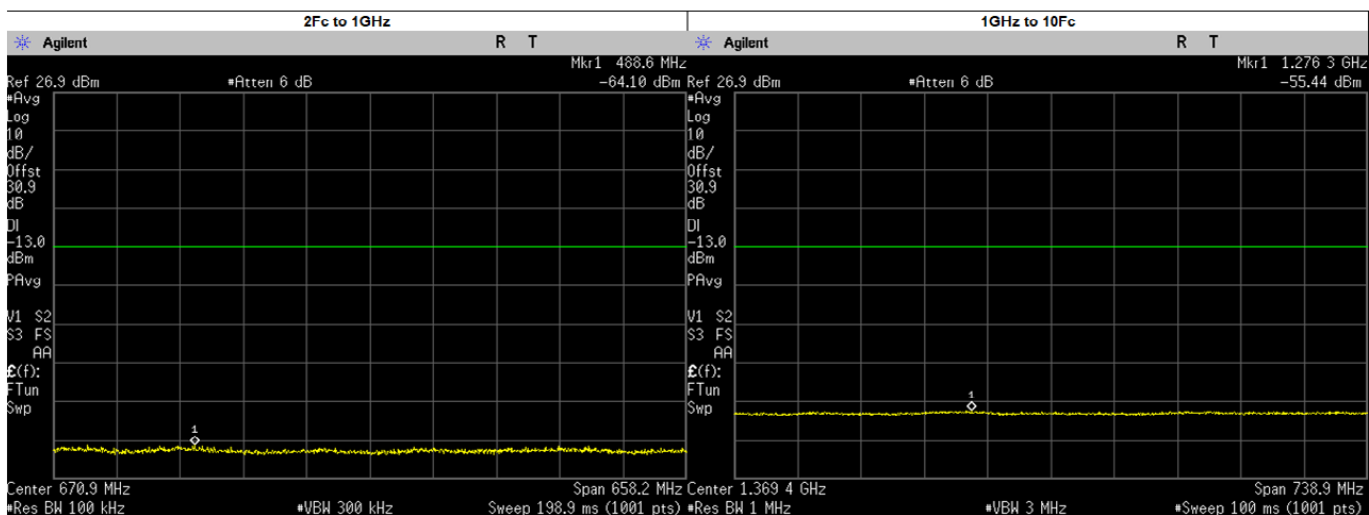
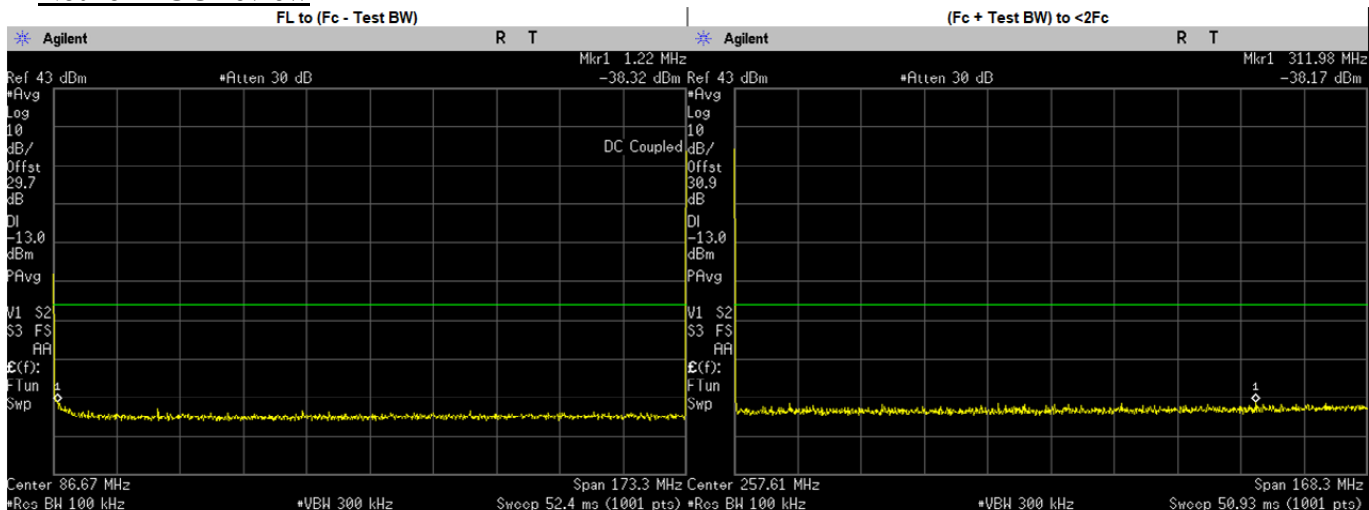
**Analog: 173.3875. MHz, 25.kHz Channel Spacing, Max. Power**  
**Not for FCC review**



Frequency Range	Highest Spur Frequency (MHz)	Spurious Level (dBm)	Failing Limit (dBm)	Results
FL to (Fc - Test BW)	1.2200	-37.1550	-13.00	PASS
(Fc + Test BW) to <2Fc	319.5552	-37.6700	-13.00	PASS
2Fc to 1GHz	520.2000	-30.7400	-13.00	PASS
	346.7750	-48.2221	-13.00	PASS
	693.5500	-65.2154	-13.00	PASS
	866.9375	-55.4862	-13.00	PASS
	520.1625	-31.1849	-13.00	PASS
1GHz to 10Fc	1242.3510	-55.0100	-13.00	PASS
	1040.3250	-56.0018	-13.00	PASS
	1213.7130	-55.3401	-13.00	PASS
	1387.1000	-55.8969	-13.00	PASS
	1560.4870	-55.7491	-13.00	PASS
	1733.8750	-55.6836	-13.00	PASS



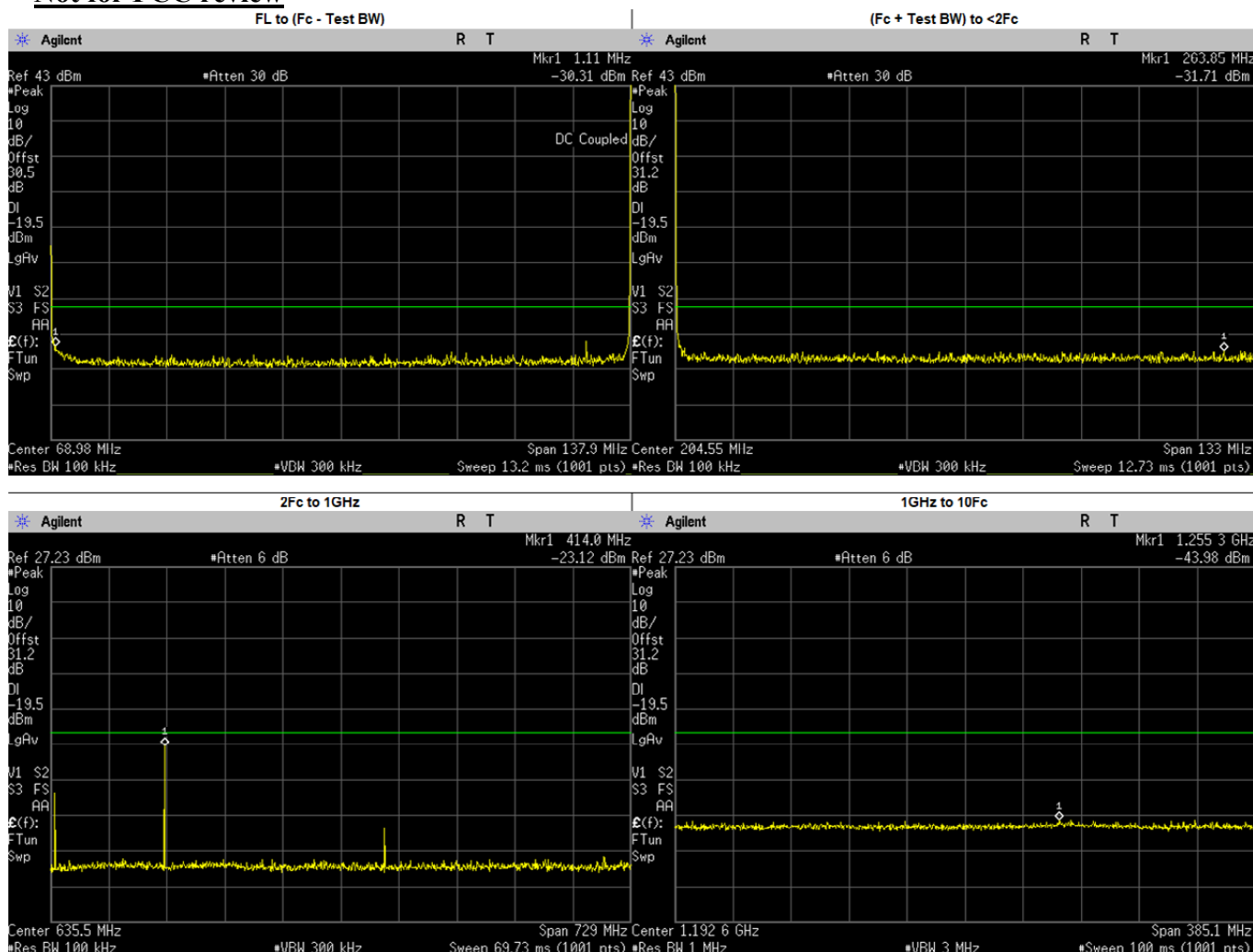
**Analog: 173.3875. MHz, 25.kHz Channel Spacing, Low. Power**  
**Not for FCC review**



Frequency Range	Highest Spur Frequency (MHz)	Spurious Level (dBm)	Failing Limit (dBm)	Results
FL to (Fc - Test BW)	1.2200	-38.3220	-13.00	PASS
(Fc + Test BW) to <2Fc	311.9803	-38.1700	-13.00	PASS
2Fc to 1GHz	488.5592	-64.1000	-13.00	PASS
	346.7750	-65.3505	-13.00	PASS
	520.1625	-65.4968	-13.00	PASS
	693.5500	-66.0148	-13.00	PASS
	866.9375	-64.7118	-13.00	PASS
1GHz to 10Fc	1276.3390	-55.4400	-13.00	PASS
	1040.3250	-56.3411	-13.00	PASS
	1213.7130	-56.0778	-13.00	PASS
	1387.1000	-56.0632	-13.00	PASS
	1560.4870	-55.8712	-13.00	PASS
	1733.8750	-56.0415	-13.00	PASS

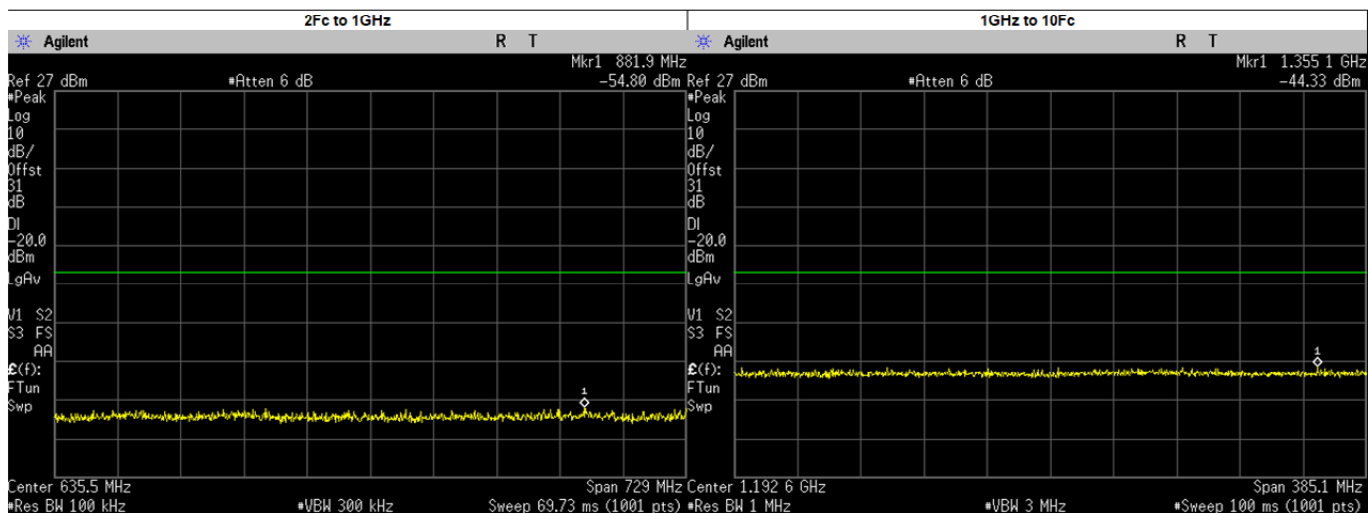
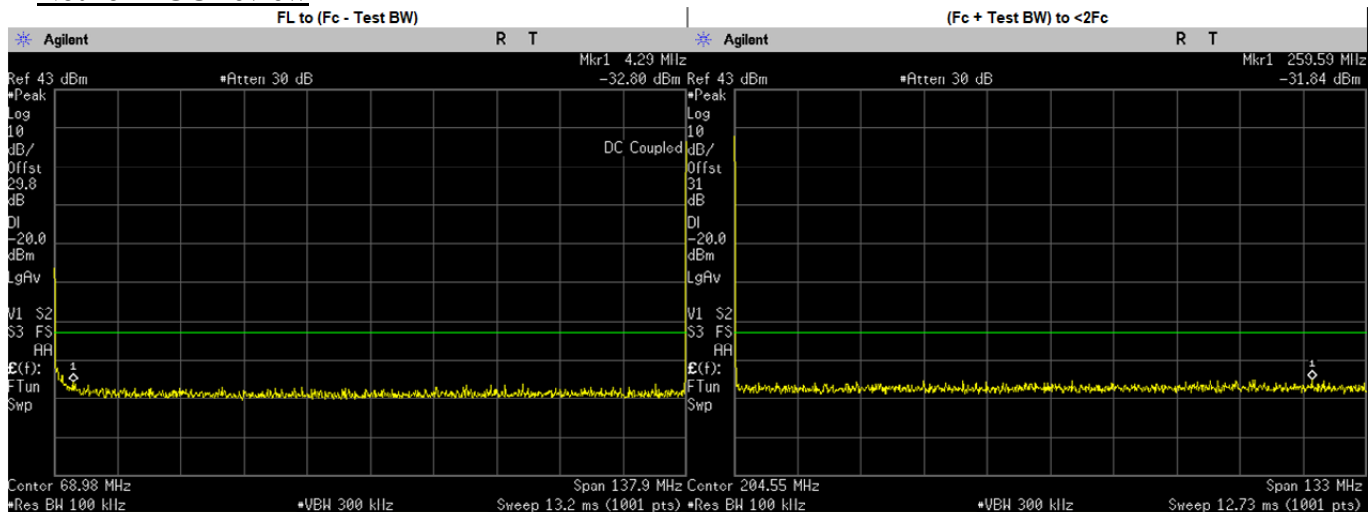
### 6.10.3. Test Result (Digital)

**Digital: 138.0125. MHz, 12.5 kHz Channel Spacing, Max. Power**  
**Not for FCC review**



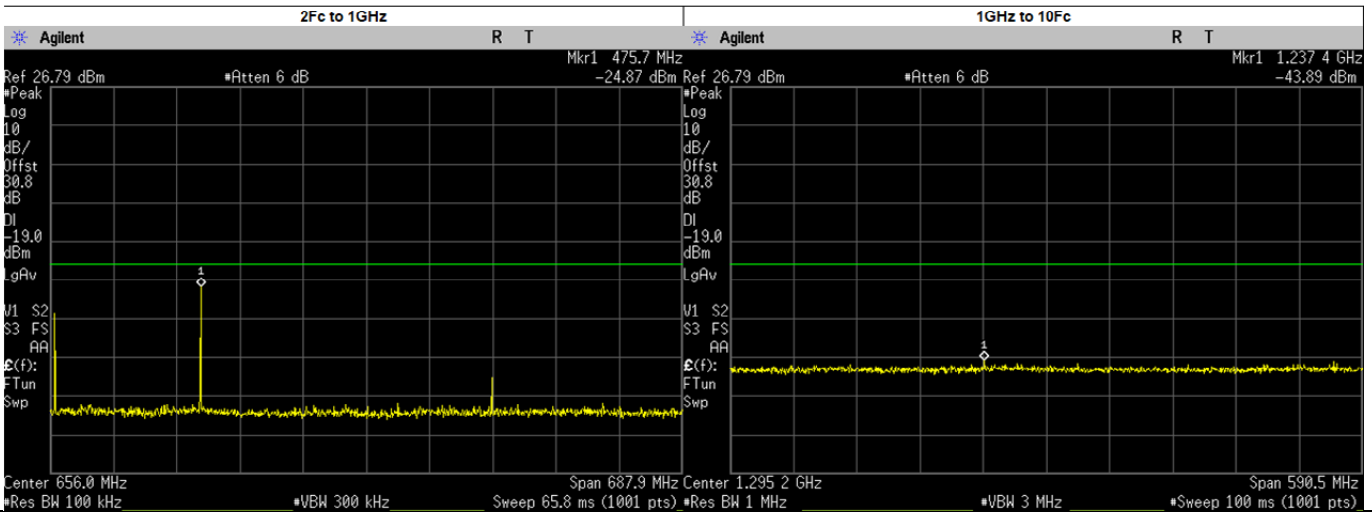
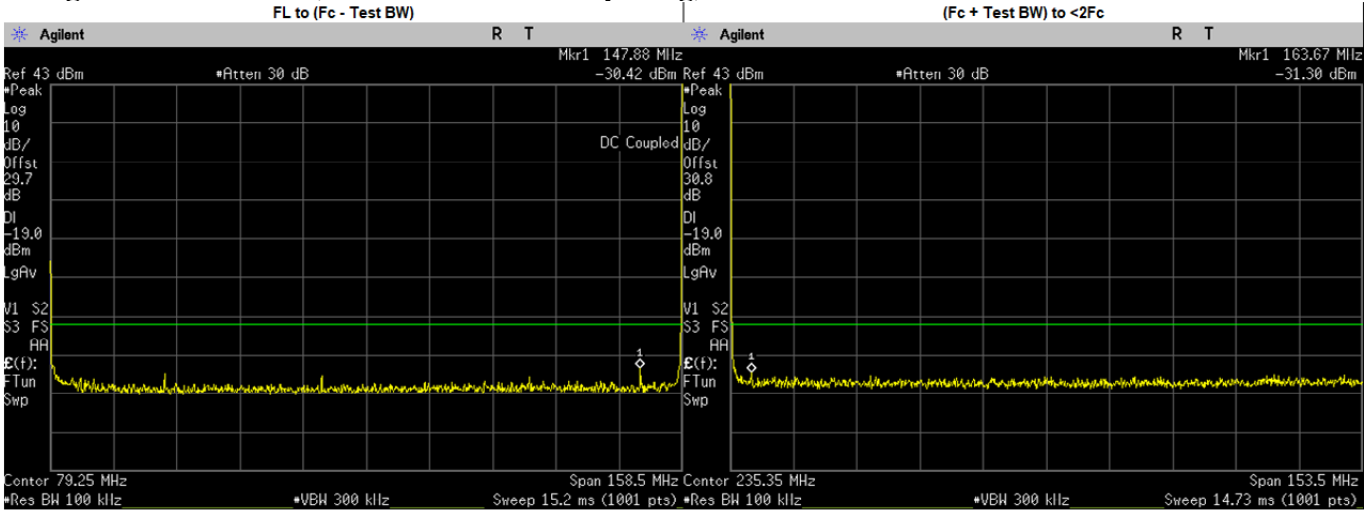
Frequency Range	Highest Spur Frequency (MHz)	Spurious Level (dBm)	Failing Limit (dBm)	Results
FL to (Fc - Test BW)	1.1100	-30.3130	-19.46	PASS
(Fc + Test BW) to <2Fc	263.8453	-31.7100	-19.46	PASS
2Fc to 1GHz	414.0000	-23.1200	-19.46	PASS
	276.0250	-39.5191	-19.46	PASS
	552.0500	-56.2668	-19.46	PASS
	690.0625	-48.4953	-19.46	PASS
	828.0750	-56.8630	-19.46	PASS
	966.0875	-54.4356	-19.46	PASS
	414.0375	-29.3913	-19.46	PASS
1GHz to 10Fc	1255.3380	-43.9800	-19.46	PASS
	1104.1000	-45.8331	-19.46	PASS
	1242.1120	-46.1328	-19.46	PASS
	1380.1250	-46.1817	-19.46	PASS

**Digital: 138.0125. MHz, 12.5 kHz Channel Spacing, Low. Power**  
**Not for FCC review**



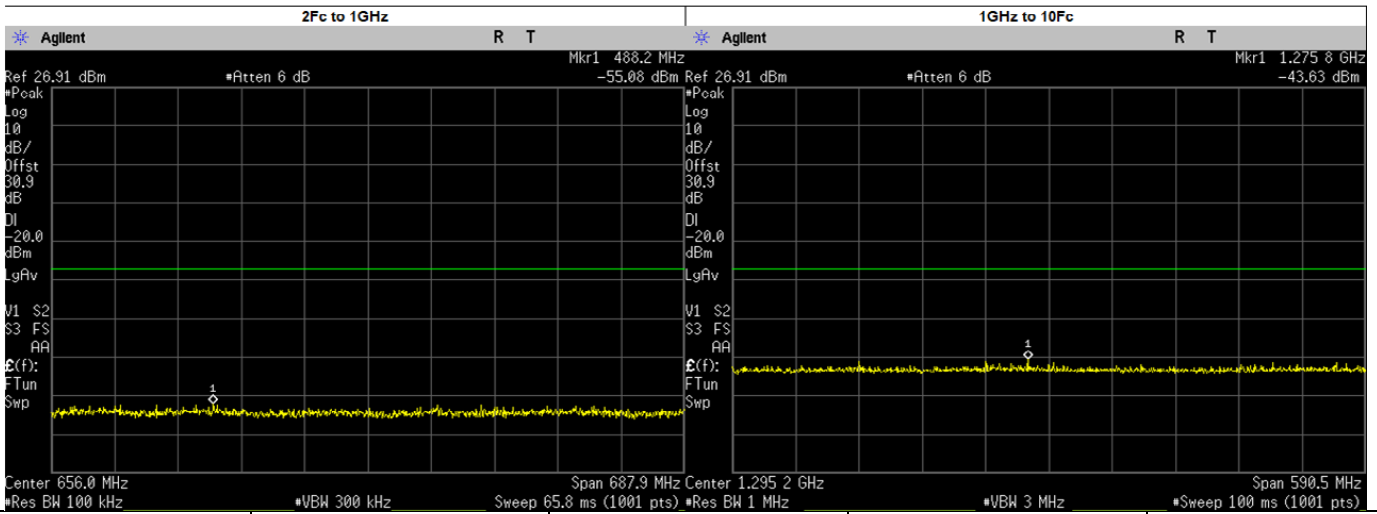
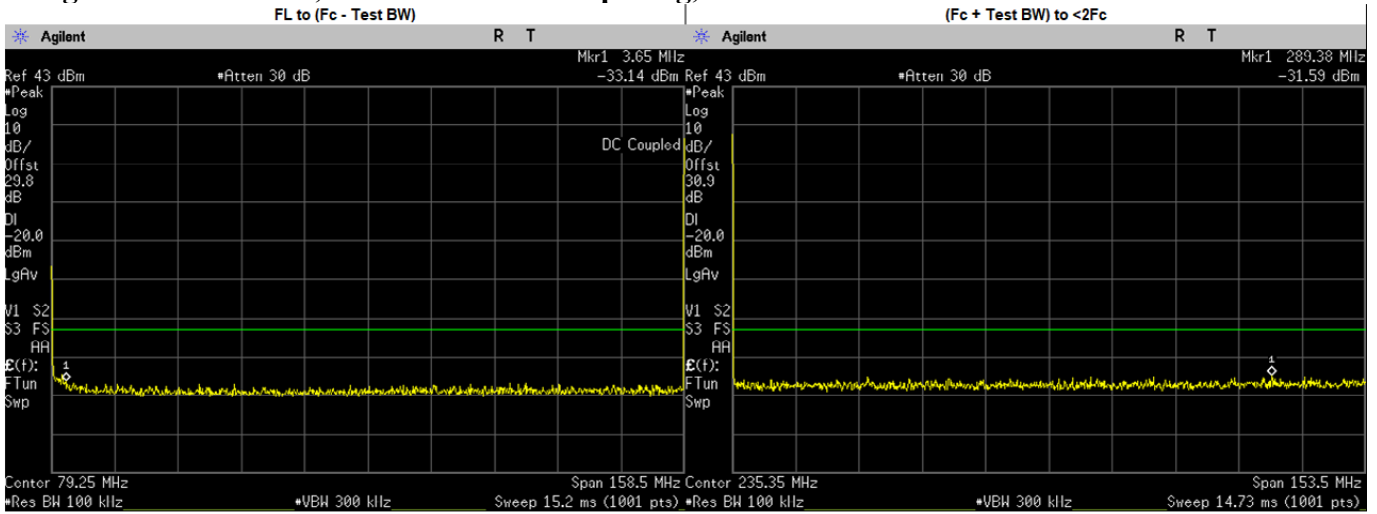
Frequency Range	Highest Spur Frequency (MHz)	Spurious Level (dBm)	Failing Limit (dBm)	Results
FL to (Fc - Test BW)	4.2900	-32.8010	-20.00	PASS
(Fc + Test BW) to <2Fc	259.5907	-31.8400	-20.00	PASS
2Fc to 1GHz	881.9061	-54.8000	-20.00	PASS
	276.0250	-58.0740	-20.00	PASS
	414.0375	-57.7722	-20.00	PASS
	552.0500	-57.7499	-20.00	PASS
	690.0625	-58.1965	-20.00	PASS
	828.0750	-57.6490	-20.00	PASS
	966.0875	-56.9454	-20.00	PASS
1GHz to 10Fc	1355.0850	-44.3300	-20.00	PASS
	1104.1000	-46.8183	-20.00	PASS
	1242.1120	-44.9913	-20.00	PASS
	1380.1250	-46.6386	-20.00	PASS

**Digital: 158.55. MHz, 12.5 kHz Channel Spacing, Max. Power**



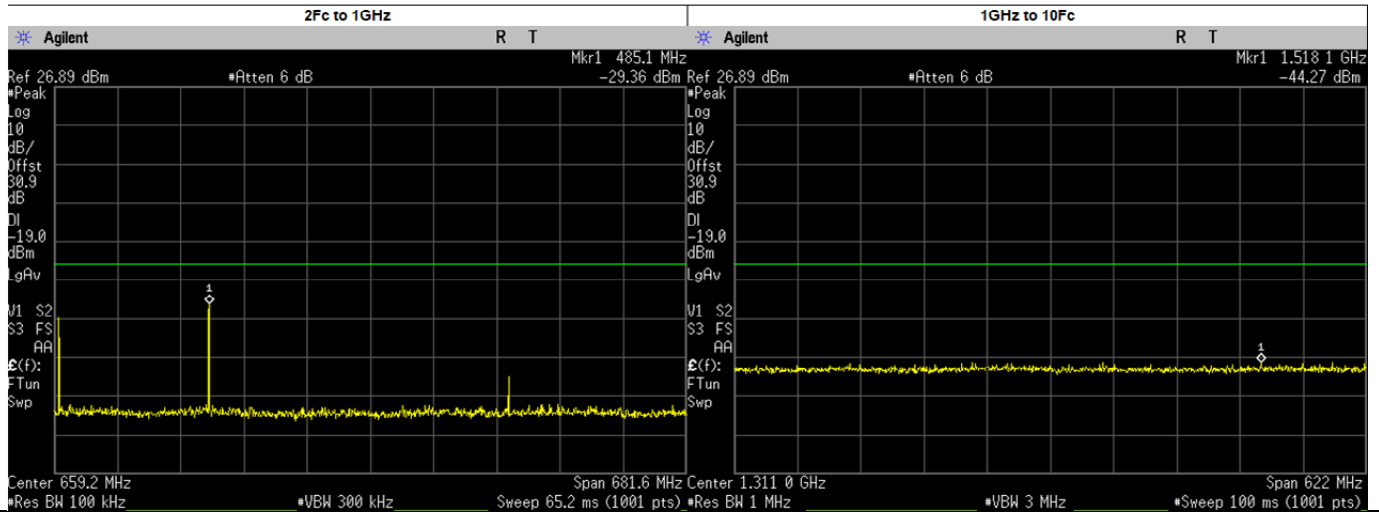
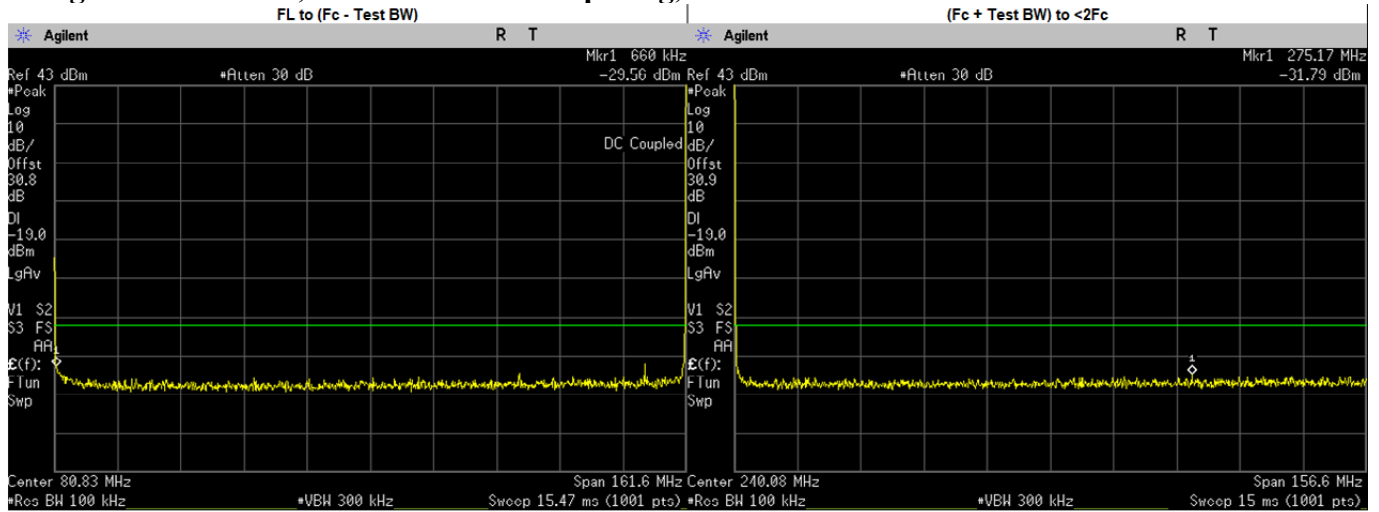
Frequency Range	Highest Spur Frequency (MHz)	Spurious Level (dBm)	Failing Limit (dBm)	Results
FL to (Fc - Test BW)	147.8800	-30.4150	-19.05	PASS
(Fc + Test BW) to <2Fc	163.6709	-31.3000	-19.05	PASS
2Fc to 1GHz	475.7000	-24.8700	-19.05	PASS
	634.2000	-55.9148	-19.05	PASS
	792.7500	-51.0622	-19.05	PASS
	951.3000	-57.5370	-19.05	PASS
	317.1000	-36.9477	-19.05	PASS
	475.6500	-31.4004	-19.05	PASS
1GHz to 10Fc	1237.3810	-43.8900	-19.05	PASS
	1109.8500	-45.7050	-19.05	PASS
	1268.4000	-45.6251	-19.05	PASS
	1426.9500	-46.3261	-19.05	PASS
	1585.5000	-46.5235	-19.05	PASS

**Digital: 158.55. MHz, 12.5 kHz Channel Spacing, Low. Power**



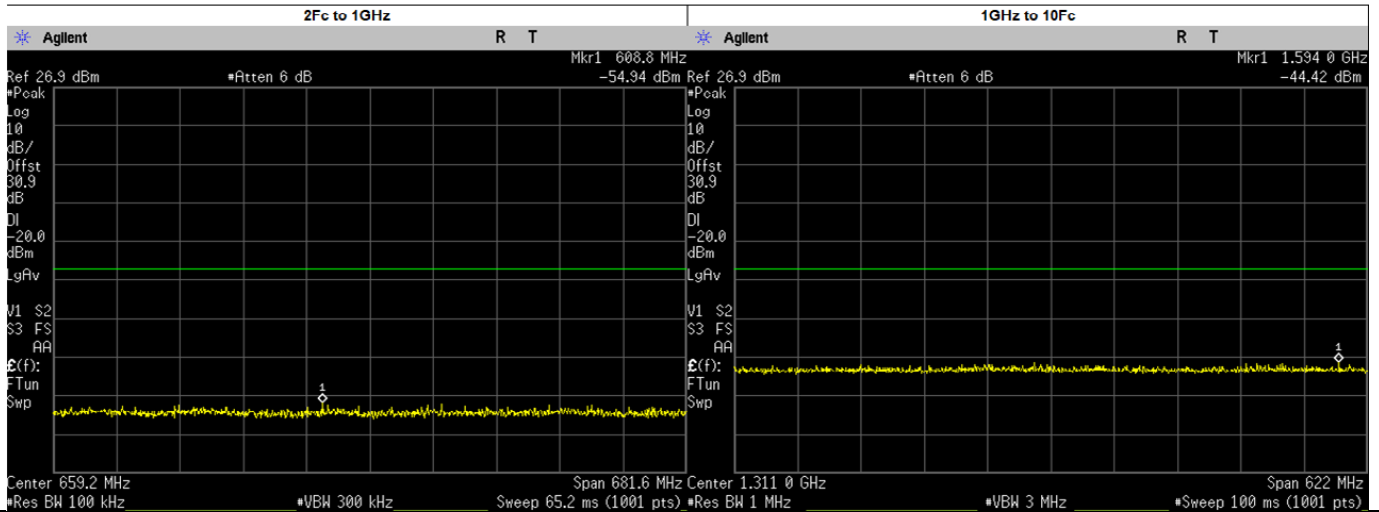
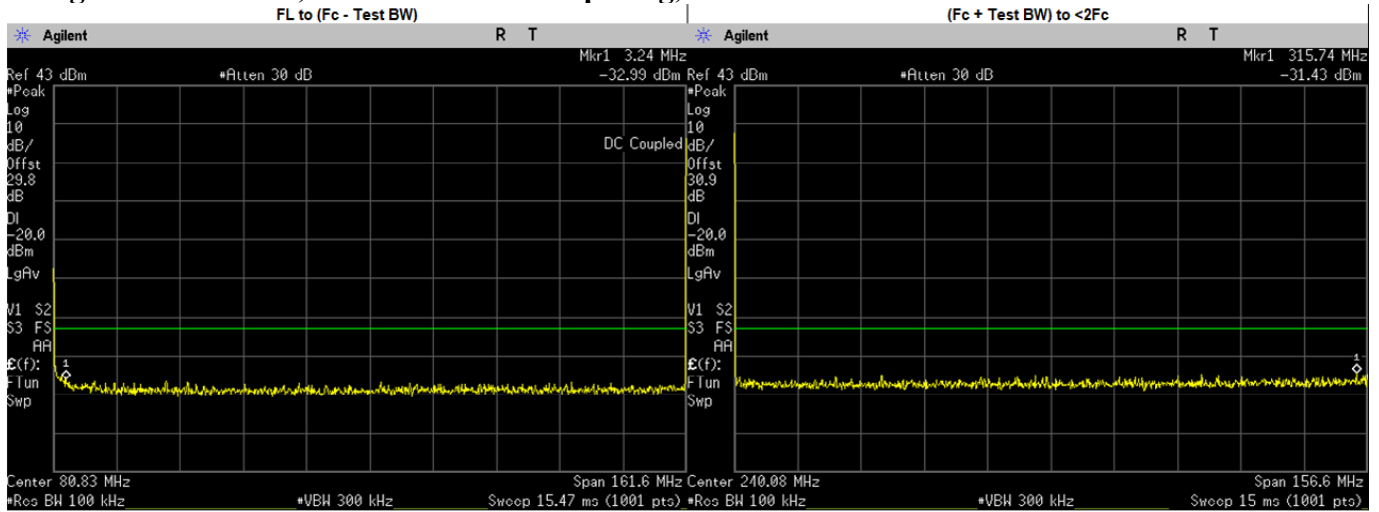
Frequency Range	Highest Spur Frequency (MHz)	Spurious Level (dBm)	Failing Limit (dBm)	Results
FL to (Fc - Test BW)	3.6500	-33.1430	-20.00	PASS
(Fc + Test BW) to <2Fc	289.3828	-31.5900	-20.00	PASS
2Fc to 1GHz	488.2024	-55.0800	-20.00	PASS
	317.1000	-57.3094	-20.00	PASS
	475.6500	-56.9537	-20.00	PASS
	634.2000	-57.8702	-20.00	PASS
	792.7500	-58.1878	-20.00	PASS
	951.3000	-57.9426	-20.00	PASS
1GHz to 10Fc	1275.7640	-43.6300	-20.00	PASS
	1109.8500	-45.9919	-20.00	PASS
	1268.4000	-45.9998	-20.00	PASS
	1426.9500	-46.7677	-20.00	PASS
	1585.5000	-45.6935	-20.00	PASS

### Digital: 161.7 MHz, 12.5 kHz Channel Spacing, Max. Power



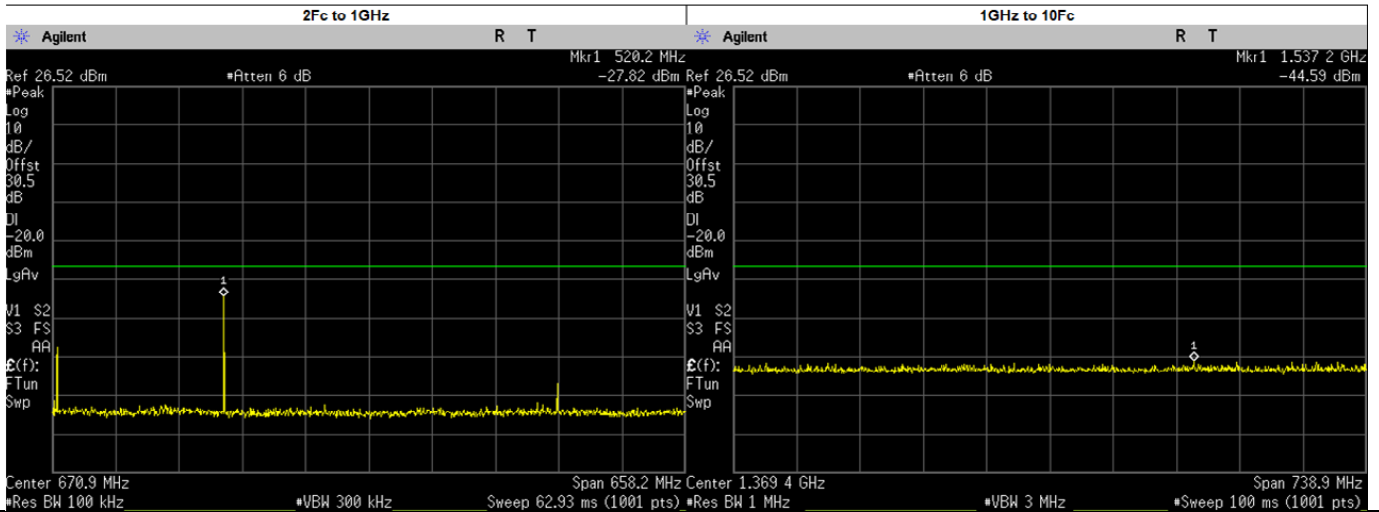
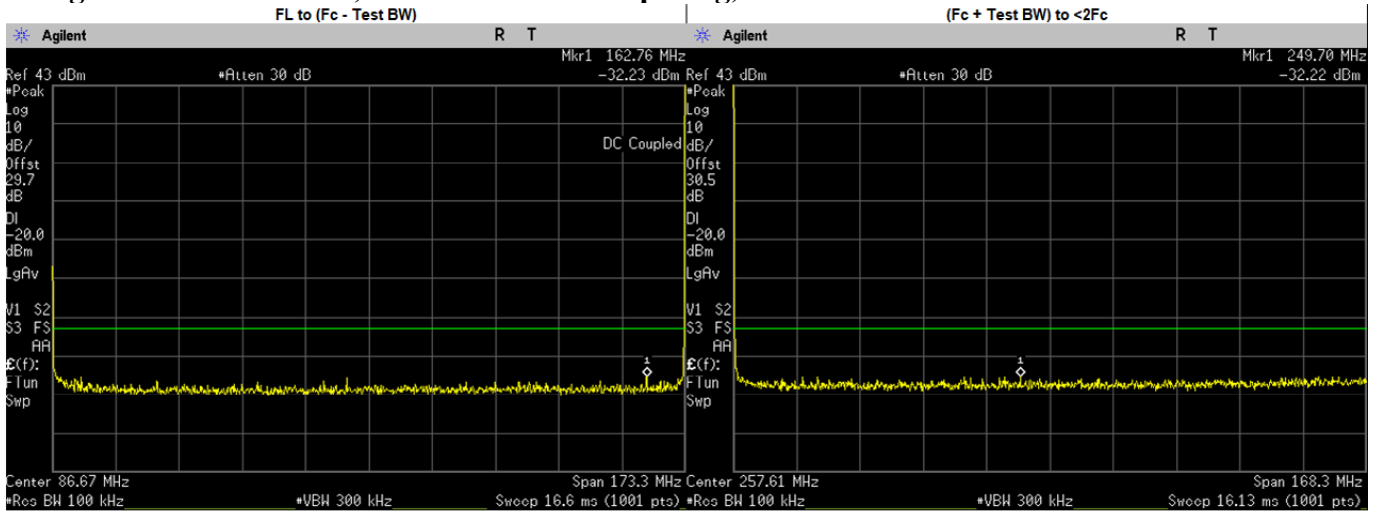
Frequency Range	Highest Spur Frequency (MHz)	Spurious Level (dBm)	Failing Limit (dBm)	Results
FL to (Fc - Test BW)	0.6600	-29.5580	-19.04	PASS
(Fc + Test BW) to <2Fc	275.1662	-31.7900	-19.04	PASS
2Fc to 1GHz	485.1000	-29.3600	-19.04	PASS
	808.5000	-48.3810	-19.04	PASS
	970.2000	-57.3068	-19.04	PASS
	484.7104	-31.4100	-19.04	PASS
	323.4000	-36.4854	-19.04	PASS
	485.1000	-30.2377	-19.04	PASS
1GHz to 10Fc	1518.1260	-44.2700	-19.04	PASS
	1131.9000	-46.7125	-19.04	PASS
	1293.6000	-46.4676	-19.04	PASS
	1455.3000	-46.2778	-19.04	PASS
	1617.0000	-46.6173	-19.04	PASS

**Digital: 161.7 MHz, 12.5 kHz Channel Spacing, Low. Power**



Frequency Range	Highest Spur Frequency (MHz)	Spurious Level (dBm)	Failing Limit (dBm)	Results
FL to (Fc - Test BW)	3.2400	-32.9900	-20.00	PASS
(Fc + Test BW) to <2Fc	315.7370	-31.4300	-20.00	PASS
2Fc to 1GHz	608.7616	-54.9400	-20.00	PASS
	323.4000	-57.8252	-20.00	PASS
	485.1000	-57.1229	-20.00	PASS
	646.8000	-56.1885	-20.00	PASS
	808.5000	-57.5717	-20.00	PASS
	970.2000	-57.1725	-20.00	PASS
1GHz to 10Fc	1594.0100	-44.4200	-20.00	PASS
	1131.9000	-46.8147	-20.00	PASS
	1293.6000	-46.4672	-20.00	PASS
	1455.3000	-46.9286	-20.00	PASS
	1617.0000	-45.7921	-20.00	PASS

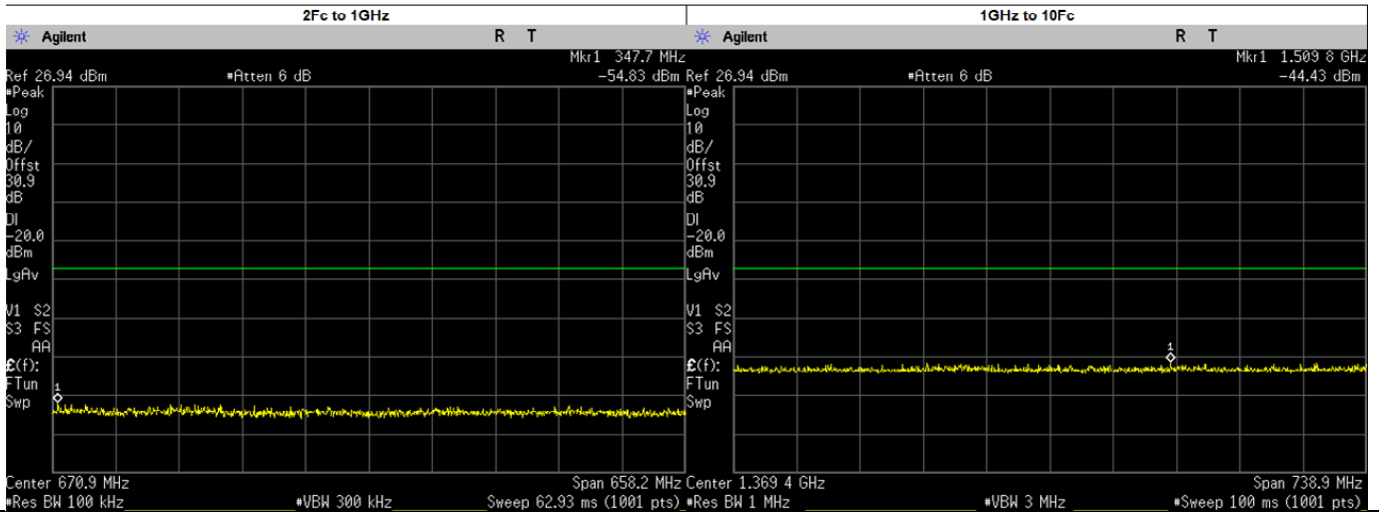
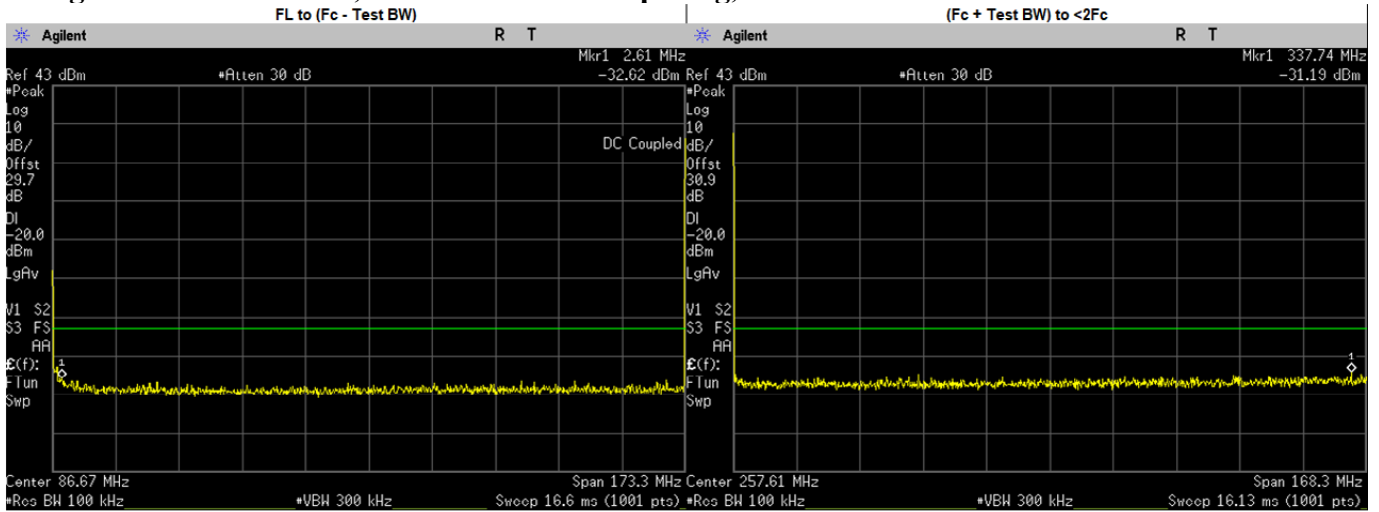
**Digital: 173.3875. MHz, 12.5 kHz Channel Spacing, Max. Power**



Frequency Range	Highest Spur Frequency (MHz)	Spurious Level (dBm)	Failing Limit (dBm)	Results
FL to (Fc - Test BW)	162.7600	-32.2320	-20.00	PASS
(Fc + Test BW) to <2Fc	249.6975	-32.2200	-20.00	PASS
2Fc to 1GHz	520.2000	-27.8200	-20.00	PASS
	346.7750	-42.3781	-20.00	PASS
	693.5500	-58.4467	-20.00	PASS
	866.9375	-51.2853	-20.00	PASS
	520.1625	-28.1942	-20.00	PASS
1GHz to 10Fc	1537.1620	-44.5900	-20.00	PASS
	1040.3250	-47.1378	-20.00	PASS
	1213.7130	-46.6504	-20.00	PASS
	1387.1000	-46.8497	-20.00	PASS
	1560.4870	-46.3563	-20.00	PASS
	1733.8750	-45.9970	-20.00	PASS

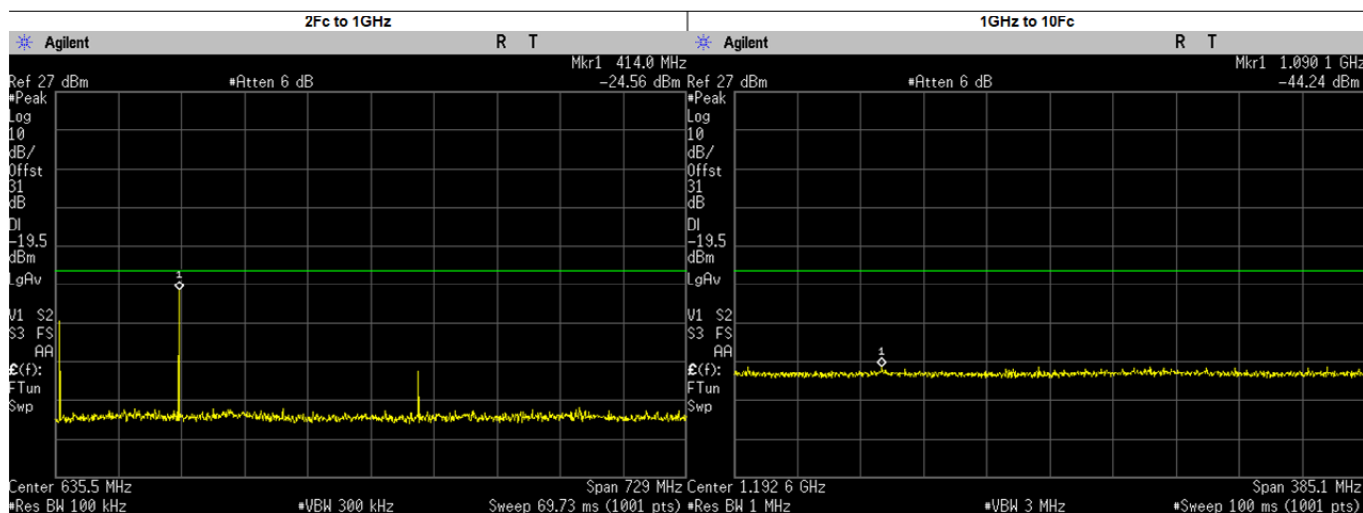
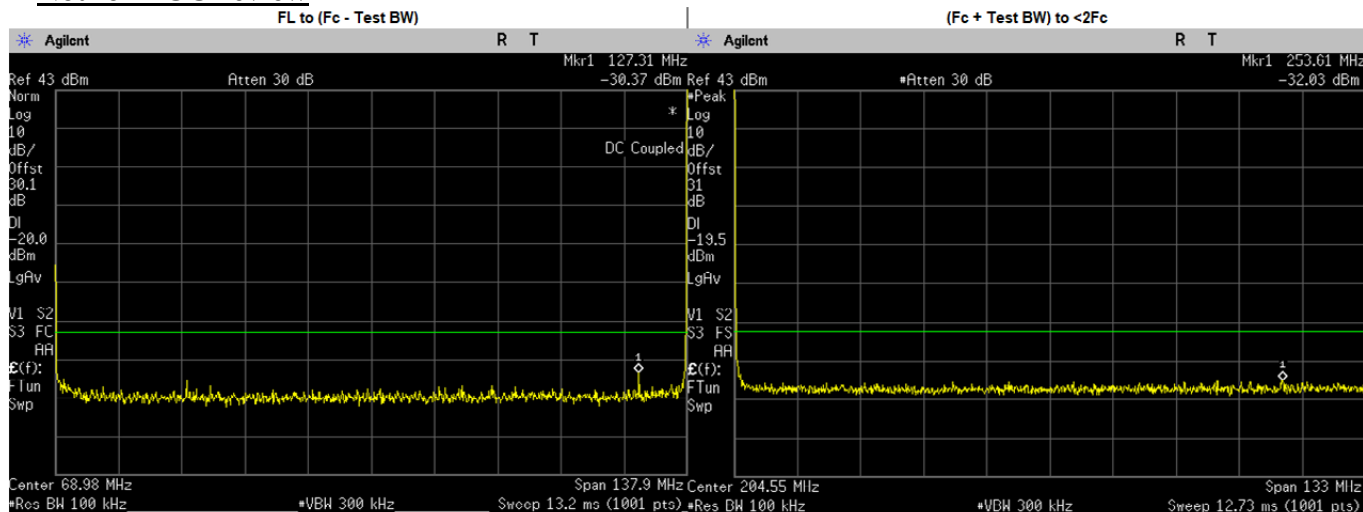


**Digital: 173.3875. MHz, 12.5 kHz Channel Spacing, Low. Power**



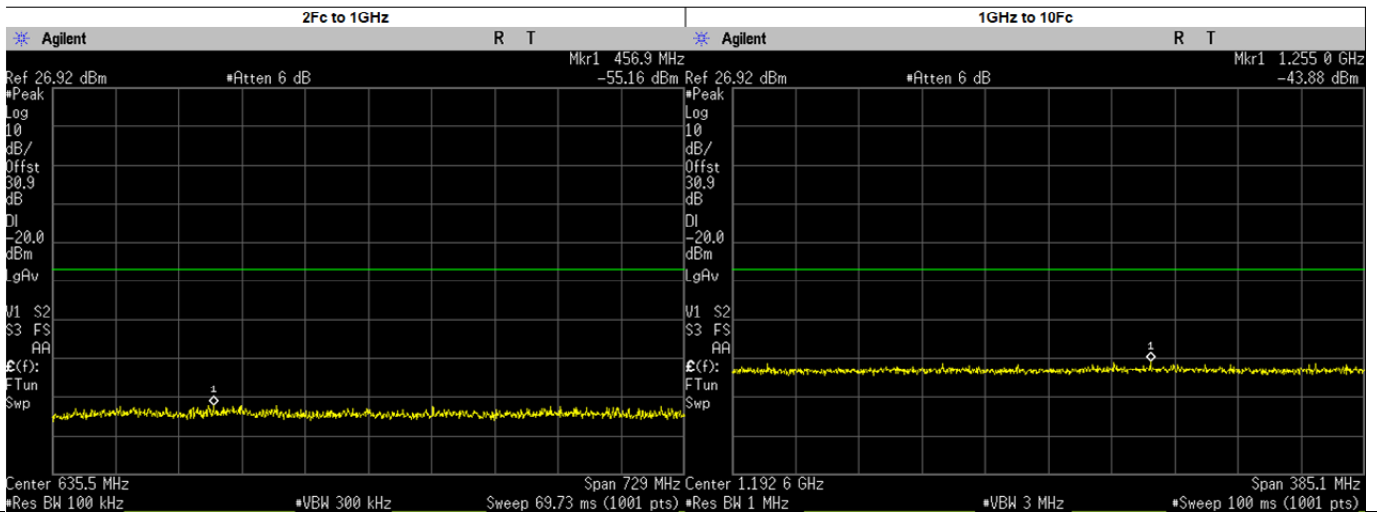
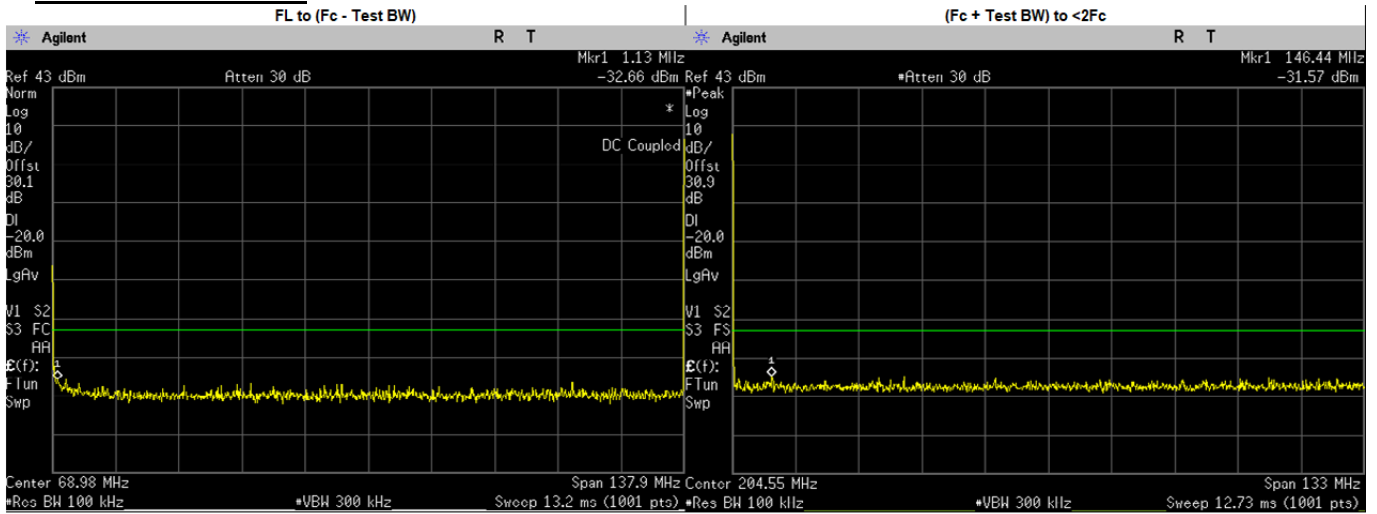
Frequency Range	Highest Spur Frequency (MHz)	Spurious Level (dBm)	Failing Limit (dBm)	Results
FL to (Fc - Test BW)	2.6100	-32.6160	-20.00	PASS
(Fc + Test BW) to <2Fc	337.7350	-31.2000	-20.00	PASS
2Fc to 1GHz	347.6990	-54.8300	-20.00	PASS
	346.7750	-56.5187	-20.00	PASS
	520.1625	-58.3383	-20.00	PASS
	693.5500	-57.8600	-20.00	PASS
	866.9375	-57.6254	-20.00	PASS
1GHz to 10Fc	1509.8240	-44.4300	-20.00	PASS
	1040.3250	-46.4879	-20.00	PASS
	1213.7130	-45.6681	-20.00	PASS
	1387.1000	-46.5321	-20.00	PASS
	1560.4870	-45.9332	-20.00	PASS
	1733.8750	-46.1371	-20.00	PASS

**Phase II: 138.0125 MHz, 12.5 kHz Channel Spacing, Max. Power**  
**Not for FCC review**



Frequency Range	Highest Spur Frequency (MHz)	Spurious Level (dBm)	Failing Limit (dBm)	Results
FL to (Fc - Test BW)	127.3100	-30.3700	-19.50	PASS
(Fc + Test BW) to <2Fc	253.6077	-32.0300	-19.50	PASS
2Fc to 1GHz	414.0000	-24.5600	-19.50	PASS
	552.0500	-56.8648	-19.50	PASS
	690.0625	-47.3241	-19.50	PASS
	828.0750	-57.9118	-19.50	PASS
	966.0875	-56.1573	-19.50	PASS
	276.0250	-36.0884	-19.50	PASS
	414.0375	-30.7099	-19.50	PASS
1GHz to 10Fc	1090.1190	-44.2400	-19.50	PASS
	1104.1000	-46.0006	-19.50	PASS
	1242.1120	-46.0026	-19.50	PASS
	1380.1250	-46.3419	-19.50	PASS

**Phase II: 138.0125 MHz, 12.5 kHz Channel Spacing, Low. Power**  
**Not for FCC review**



Frequency Range	Highest Spur Frequency (MHz)	Spurious Level (dBm)	Failing Limit (dBm)	Results
FL to (Fc - Test BW)	1.1300	-32.6600	-20.00	PASS
(Fc + Test BW) to <2Fc	146.4444	-31.5700	-20.00	PASS
2Fc to 1GHz	456.9136	-55.1600	-20.00	PASS
	276.0250	-57.9252	-20.00	PASS
	414.0375	-56.7770	-20.00	PASS
	552.0500	-57.2074	-20.00	PASS
	690.0625	-57.5113	-20.00	PASS
	828.0750	-58.2052	-20.00	PASS
	966.0875	-57.2569	-20.00	PASS
1GHz to 10Fc	1254.9530	-43.8800	-20.00	PASS
	1104.1000	-45.9592	-20.00	PASS
	1242.1120	-45.9232	-20.00	PASS
	1380.1250	-46.1140	-20.00	PASS