

**EXHIBIT 9**

**INTERNAL PHOTOGRAPHS**

(Pursuant to FCC Part 2.1033(b)(7), 2.1033(c)(14) and RSP 100 Sec 4)

The following photographs are attached.

**Exhibit**

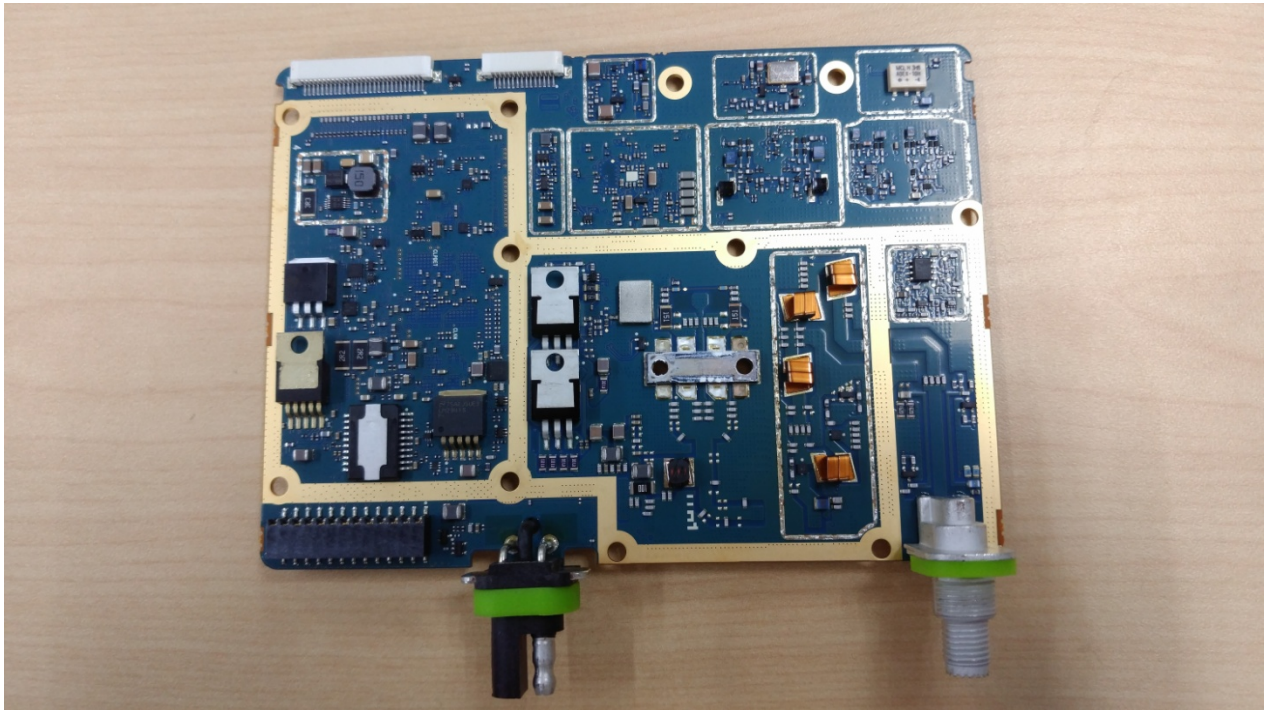
- |     |   |    |
|-----|---|----|
| 1.  | RF board with shields (Top)                   | 9A |
| 2.  | RF board without shields (Top)                | 9B |
| 3.  | RF board with shields (Bottom)                | 9C |
| 4.  | RF board without shields (Bottom)             | 9D |
| 5.  | Chassis and control heads (Top)               | 9E |
| 6.  | Chassis and control heads (Bottom)            | 9F |
| 7.  | GOB board with and without shields            | 9G |
| 8.  | Wifi/GPS/BT board with and without shields    | 9H |
| 9.  | Exploded view of radio                        | 9I |
| 10. | Exploded view of colour display control head  | 9J |
| 11. | Exploded view of numeric display control head | 9K |

**Exhibits 9A**



**RF board with shields (Top)**

**Exhibits 9B**



**RF board without shields (Top)**

**Exhibits 9C**



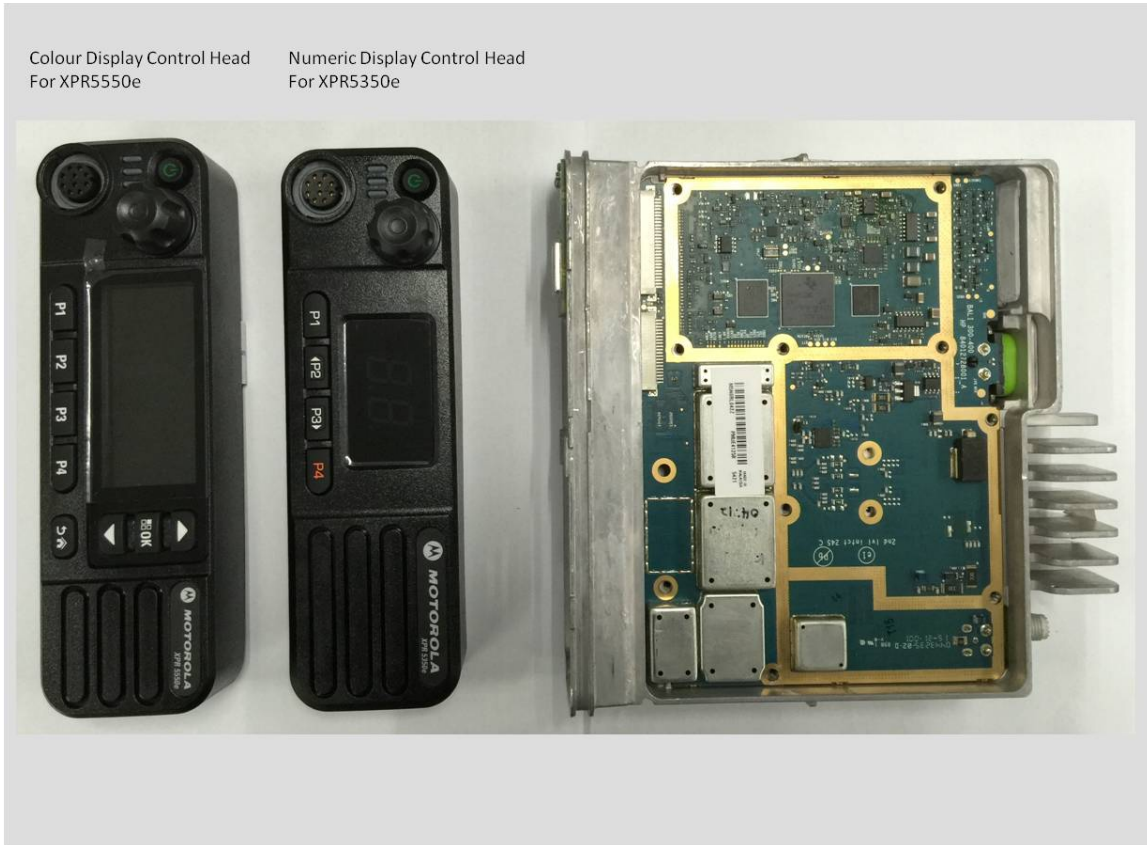
**RF board with shields (Bottom)**

**Exhibits 9D**



### RF board without shields (Bottom)

### Exhibits 9E



### Chassis and control heads (Top)

**Exhibits 9F**



**Chassis and control heads (Bottom)**

**Exhibits 9G**



**GOB board (Top)**

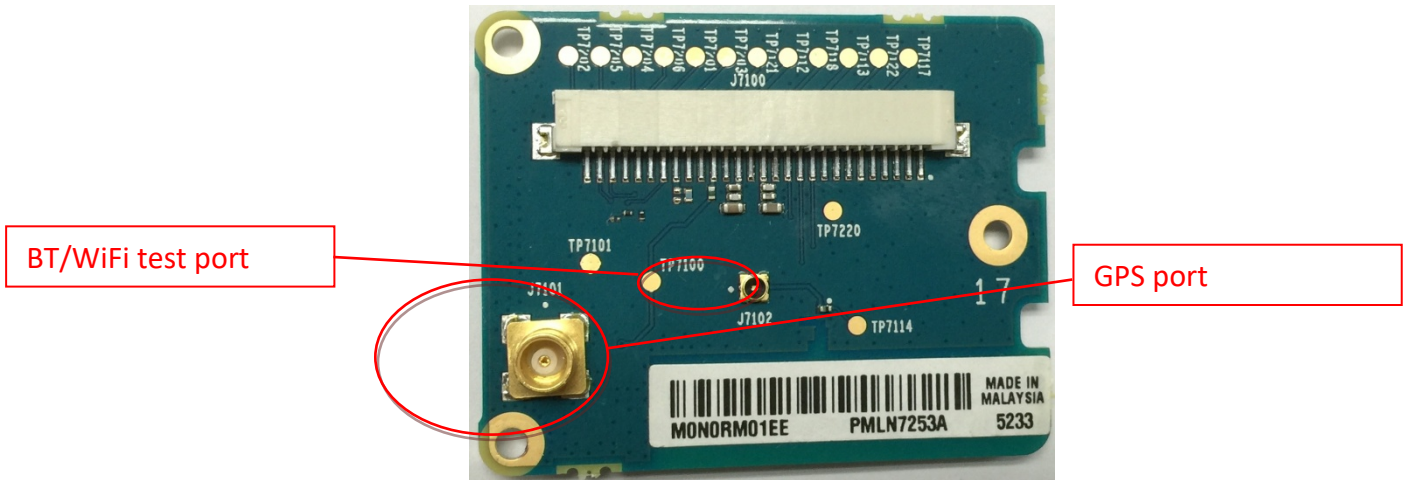


**GOB board with shield (Bottom)**

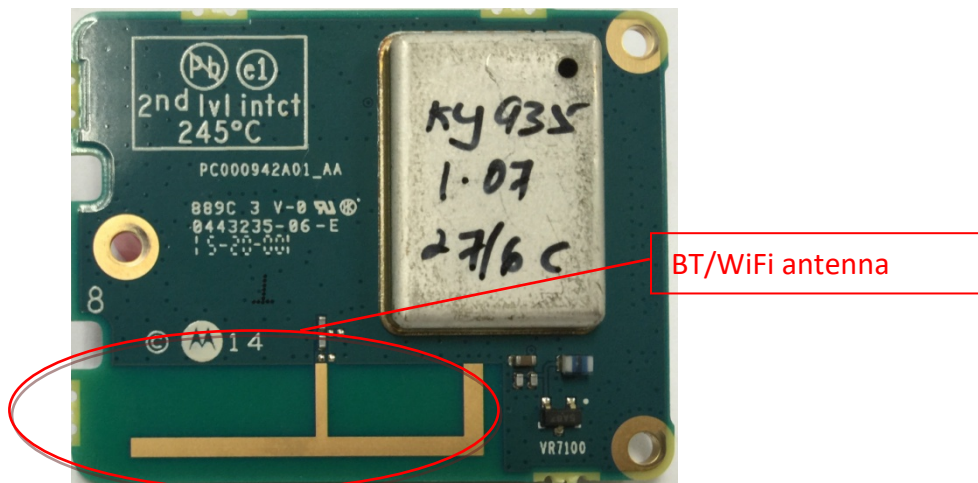


**GOB board without shield (Bottom)**

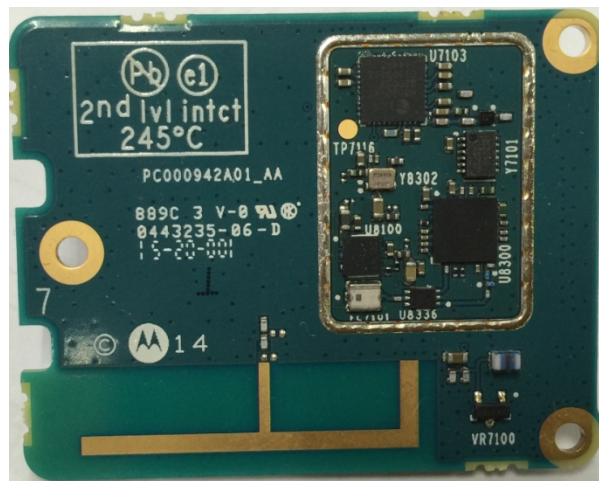
**Exhibits 9H**



**GPS/BT/Wifi board (Top)**

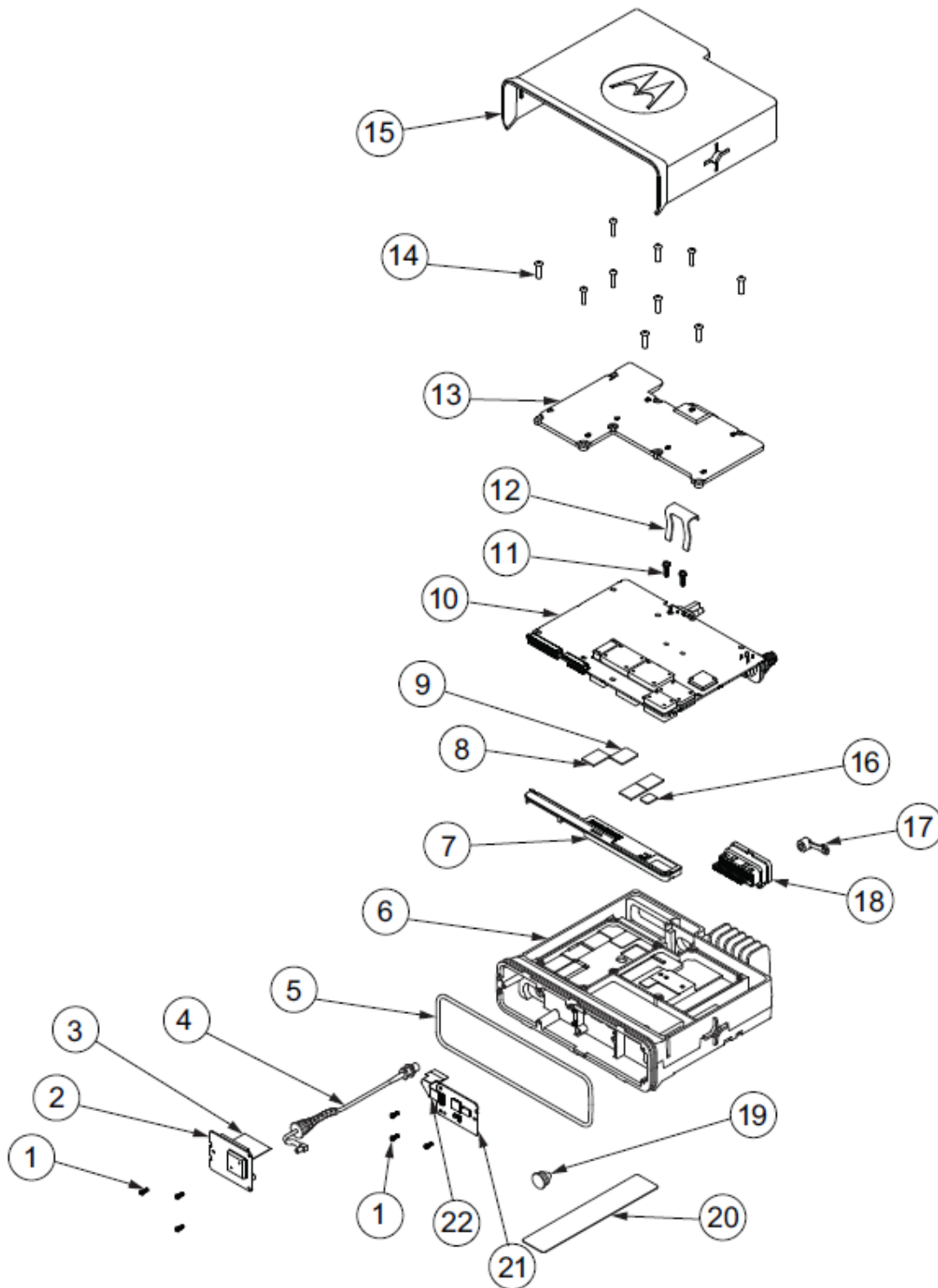


**GPS/BT/Wifi board with shield (Bottom)**



**GPS/BT/Wifi board without shield (Bottom)**

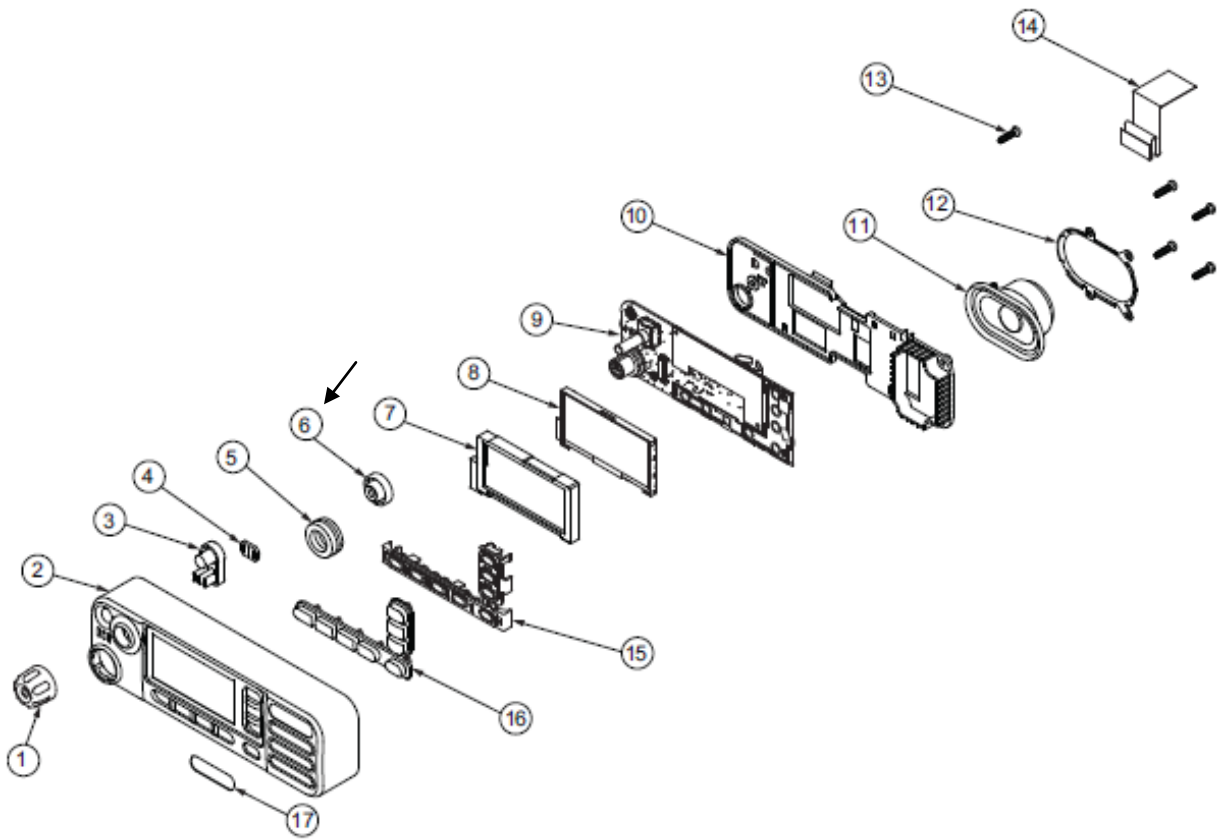
Exhibit 9I



Exploded View of Radio

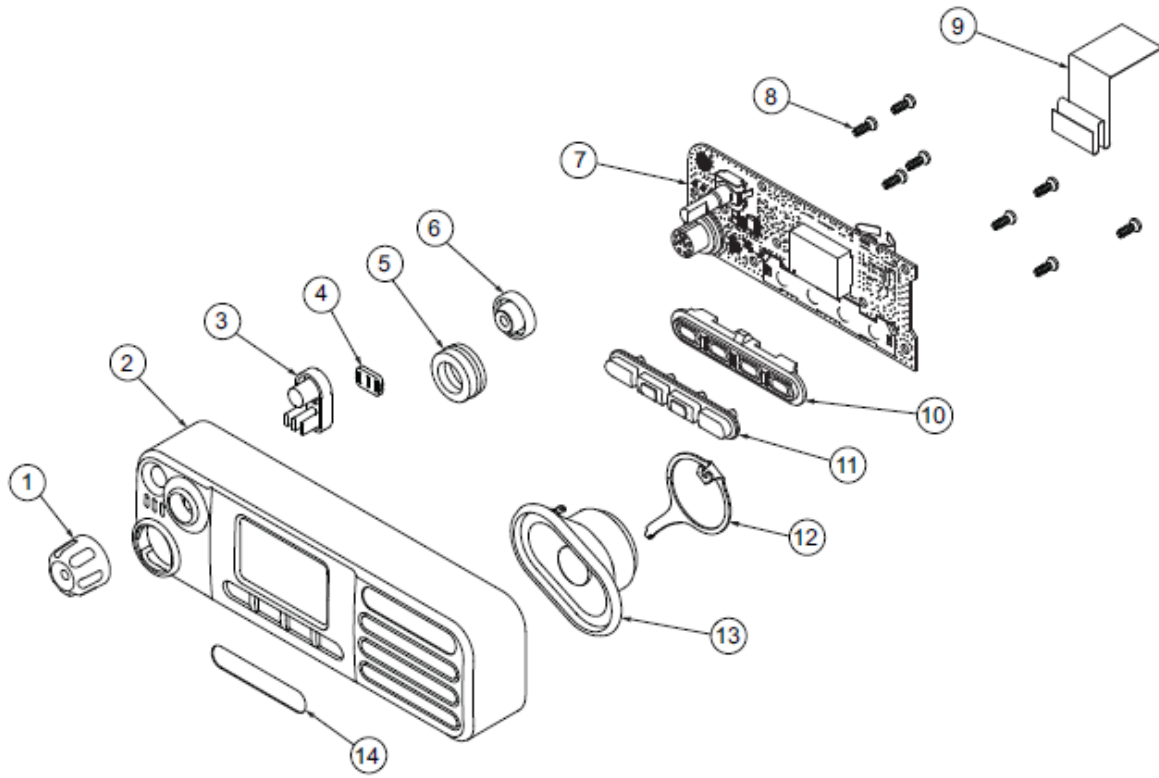


Exhibit 9J



Exploded view of colour display control head

Exhibit 9K



Exploded view of numeric display control head