




DECLARATION OF COMPLIANCE: MPE ASSESSMENT Part 1 of 2

<p>Motorola Solutions Inc. EME Test Laboratory Motorola Solutions Malaysia Sdn Bhd Plot 2A, Medan Bayan Lepas, Mukim 12 SWD 11900 Bayan Lepas Penang, Malaysia.</p>	<p>Date of Report: 1/28/2022 Report Revision: B</p>
---	--

Responsible Engineer:	Puteri Alifah Ilyana Binti Nor Rahim (EME Engineer)
Report author:	Alfred Hoe Kean Loon (EME Engineer)
Date(s) Tested:	2/17/2017-3/17/2017; 3/04/2021-3/11/2021
Manufacturer:	Motorola Solutions Inc.
Date submitted for test:	01/13/2017; 02/22/2021
DUT Description:	APX 6500 UHF R2 - Multiple HW Encryption WiFi Interoperability Data Modem Tethering via WiFi or Cable
Test TX mode(s):	Companion Device: DVR VHF (136-174 MHz), Digital Vehicular Repeater CW
Max. Power output:	APX 6500 UHF R2: 54W (450-485 MHz); 48W (485-512 MHz); 30W (512-520 MHz); 11.2 mW (Bluetooth); 6.3 mW (Bluetooth LE); 39.8 mW (WLAN 2.4GHz 802.11b), 15.8 mW (WLAN 2.4GHz 802.11g), 12.6mW (WLAN 2.4GHz 802.11n); 15.8mW (WLAN 5GHz 802.11a/n/ac) Companion Device: 6W (DVR VHF)
TX Frequency Bands:	APX 6500 UHF R2: 450-520 MHz; WLAN 2412-2462 MHz; WLAN 5180-5825 MHz; BT/BT LE 2402-2480 MHz Companion Device: 136-174 MHz
Signaling type:	FM, TDMA, FHSS (Bluetooth), 802.11b/g/n (WLAN 2.4 GHz), 802.11 a/n/ac (WLAN 5 GHz)
Model(s) Tested:	APX 6500 UHF R2: M25SSS9PW1BN
Model(s) Certified:	Companion Device: MOBEXCOM DVRS VHF (DQPM DV R3000P) M25SSS9PW1BN (PMUE5756A), M22SSS9PW1BN (PMUE5756A), M24SSS9PW1BN (PMUE5756A), M36SSS9PW1BN (PMUE5756A), MOBEXCOM DVRS VHF (DQPM DV R3000P)
Serial Number(s):	471TXD0188 (APX 6500 UHF R2), 16082232 (DVR VHF)
Classification:	Occupational/Controlled Environment
FCC ID:	APX 6500 UHF R2: AZ492FT4967 (450-512 MHz, 2402-2480 MHz, 2412-2462 MHz; 5180-5825 MHz) Companion Device: LO6-DVRSVHF (150.8-173.4MHz)
IC:	This report contains results that are immaterial for FCC equipment approval, which are clearly identified. APX 6500 UHF R2: 109U-92FT4967 Companion Device: 2098-DVRSVHF This report contains results that are immaterial for ISED Canada equipment approval, which are clearly identified.

The MPE results clearly demonstrate compliance with FCC Occupational/Controlled RF Exposure limits. FCC rules require compliance for Passengers and Bystanders to the FCC General Population/Uncontrolled limits.

Based on the information and the testing results provided herein, the undersigned certifies that when used as stated in the operating instructions supplied, said product complies with the national and international reference standards and guidelines listed in section 4.0 of this report (no deviation from standard methods). This report shall not be reproduced without written approval from an officially designated representative of the Motorola Solutions Inc. EME Laboratory.
 I attest to the accuracy of the data and assume full responsibility for the completeness of these measurements.
 This reporting format is consistent with the suggested guidelines of the TIA TSB-159 April 2006
 The results and statements contained in this report pertain only to the device(s) evaluated herein.


Saw Sun Hock (Approve Signatory)
Approval Date: 1/28/2022

Document Revision History

Date	Revision	Comments
12/15/2021	A	Initial release
1/28/2022	B	Update the model number

Table of Contents

Part 1 of 2

1.0	Introduction.....	5
2.0	FCC MPE Summary	5
3.0	Abbreviations / Definitions.....	5
4.0	Referenced Standards and Guidelines.....	6
5.0	Power Density Limits.....	6
6.0	N _c Test Channels.....	8
7.0	Measurement Equipment	8
8.0	Measurement System Uncertainty Levels.....	9
9.0	Product and System Description	10
10.0	Additional Options and Accessories	11
11.0	Test Set-Up Description.....	11
12.0	Method of Measurement with trunk mounted antenna(s).....	12
12.1	External/Bystander vehicle MPE measurements.....	12
12.2	Internal/Passenger vehicle MPE measurements	12
13.0	Method of Measurement APX 6500 UHF R2 Mobile radio with roof mounted antenna(s)	12
13.1	External/Bystander vehicle MPE measurements.....	13
13.2	Internal/Passenger vehicle MPE measurements	13
14.0	MPE Variability Requirement for External/Bystander vehicle MPE measurement	14
15.0	MPE Calculations	14
16.0	Antenna Summary.....	15
17.0	Test Results Summary	16
17.1	MPE Test Results Summary for APX 6500 UHF R2 Mobile radio and DVR VHF	16
17.2	MPE Test Results for Bluetooth and WLAN.....	17
17.3	Simultaneous Transmission.....	19
18.0	Conclusion	24
19.0	User Instructions Considerations	26
	Appendix A - Antenna Locations, Test Distances, and Cable Losses	27
	Appendix B - Probe Calibration Certificates	Error! Bookmark not defined.
	Appendix C - Photos of Assessed Antennas.....	52

Part 2 of 2

Appendices

Appendix D – MPE Test Results Summary for APX 6500 UHF R2.....3
Appendix E – MPE Test Results Summary for Companion Device (DVR VHF).....11
Appendix F – MPE Measurement Results for APX 6500 UHF R2.....19
Appendix G – MPE Measurement Results for Companion Device (DVR VHF).....28

1.0 Introduction

This report details the test setup, test equipment and test results of Maximum Permissible Exposure (MPE) performed at Motorola Solutions’ outside test site for APX 6500 UHF R2 M25SSS9PW1BN (PMUE5756A) and Companion Device DVRSVHF (FCC ID: LO6-DVRSVHF).

2.0 FCC MPE Summary

APX 6500 UHF R2 band (FCC ID: AZ492FT4967)					
Roof Mounted Antenna					
Equipment Class	Frequency Band (MHz)	Passenger		Bystander	
		Power Density (mw/cm²)	Highest % of Limit	Power Density (mw/cm²)	Highest % of Limit
TNB	LMR (450 - 512)	0.054	17.3%	0.044	14.7%
DTS	WLAN (2412 - 2462)	0.018	1.77%	0.018	1.77%
NII	WLAN (5180 - 5825)	0.007	0.67%	0.007	0.67%
DSS	BT (2402 - 2480)	0.005	0.5%	0.005	0.5%
Companion Mobile DVR VHF (FCC ID: LO6-DVRSVHF)					
Trunk Mounted Antenna					
Equipment Class	Frequency Band (MHz)	Passenger		Bystander	
		Power Density (mw/cm²)	Highest % of Limit	Power Density (mw/cm²)	Highest % of Limit
TNB	150.8-173.4	0.23	114.8%	0.042	21.0%
Simultaneous Transmissions					
Simultaneous Transmissions conditions	Passenger		Bystander		
	Highest Combine % of limit		Highest Combine % of limit		
APX 6500 (UHF R2) + WLAN + DVR VHF		133.87%		37.47%	

*Result in bold required SAR Simulation.

3.0 Abbreviations / Definitions

- CNR: Calibration Not Required
- CW: Continuous Wave
- DUT: Device Under Test
- EME: Electromagnetic Energy
- FHSS: Frequency Hopping Spread Spectrum
- FM: Frequency Modulation
- MPE: Maximum Permissible Exposure
- GPS: Global Positioning System
- LMR: Land Mobile Radio
- SAR: Specific Absorption Rate
- NA: Not Applicable
- BS: Bystander
- PB: Passenger Back seat

PF: Passenger Front seat
 PTT: Push to Talk
 WLAN: Wireless Local Area Network
 TDMA: Time Division Multiple Access

4.0 Referenced Standards and Guidelines

This product is designed to comply with the following applicable national and international standards and guidelines.

- United States Federal Communications Commission, Code of Federal Regulations; Rule Part 47CFR § 1.1310, § 2.1091 (d) and § 2.1093 for RF Exposure, where applicable.
- Federal Communications Commission, “Evaluating Compliance with FCC Guidelines for Human Exposure to Radio frequency Electromagnetic Fields”, OET Bulletin 65 (Edition 97-01), FCC, Washington, D.C.: August 1997.
- Institute of Electrical and Electronics Engineers (IEEE) C95.1-2019
- American National Standards Institute (ANSI) / Institute of Electrical and Electronics Engineers (IEEE) C95. 1-1992. Specific to FCC rules and regulations.
- Institute of Electrical and Electronics Engineers (IEEE) C95.3-2002
- International Commission on Non-Ionizing Radiation Protection (ICNIRP) 1998
- Ministry of Health (Canada) Safety Code 6 (2015), Limits of Human Exposure to Radio frequency Electromagnetic Fields in the Frequency Range from 3 kHz to 300 GHz
- RSS-102 (Issue 5) – Radio Frequency (RF) Exposure Compliance of Radio communication Apparatus (All Frequency Bands)
- FCC KDB – 447498 D01 General RF Exposure Guidance v06
- FCC KDB – 865664 D02 RF Exposure Reporting v01r02

5.0 Power Density Limits

Table 2 – Occupational / Controlled Exposure Limits

Frequency Range (MHz)	FCC Rule Part 47CFR § 1.1310	ICNIRP	IEEE C95.1 2019	RSS-102 Issue 5 2015
	mW/cm ²		W/m ²	W/m ²
10 – 20				10.0
20 – 48				$44.72 / f^{0.5}$
30 – 300	1.0			
48 – 100				6.455
10 – 400		10.0		
100 – 400			10.0	
100 – 6,000				$0.6455 f^{0.5}$
300 – 1,500	f/300			

Table 2 – Occupational / Controlled Exposure Limits (Con’t.)

Frequency Range (MHz)	FCC Rule Part 47CFR § 1.1310	ICNIRP	IEEE C95.1 2019	RSS-102 Issue 5 2015
	mW/cm ²			
400 – 2,000		f/40	f/40	
1,500 – 100,000	5.0			
2,000 – 300,000		50.0	50.0	
6,000 – 15,000				50.0
15000 – 150,000				50.0
150000 – 300,000				$3.33 \times 10^{-4} f$

Table 3 – General Population / Uncontrolled Exposure Limits

Frequency Range (MHz)	FCC Rule Part 47CFR § 1.1310	ICNIRP	IEEE C95.1 2019	RSS-102 Issue 5 2015
	mW/cm ²			
10 – 20				2.0
20 – 48				$8.944 / f^{0.5}$
30 – 300	0.2			
48 – 300				1.291
10 – 400		2.0		
100 – 300				
100 – 400			2.0	
300 – 1,500	f/1,500			
300 – 6000				$0.02619 f^{0.6834}$
400 – 2,000		f/200	f/200	
1,500 – 100,000	1.0			
2,000 – 300,000		10.0	10.0	
6,000 – 15,000				10.0
15,000 – 150,000				10.0
150,000 – 300,000				$6.67 \times 10^{-5} f$

6.0 N_c Test Channels

The number of test channels is determined by using Equation 1 below. This equation is available in FCC’s KDB 447498. The test channels are appropriately spaced across the antenna’s frequency range.

Equation 1 – Number of test channels

$$N_c = \text{Round} \{ [100(f_{\text{high}} - f_{\text{low}})/f_c]^{0.5} \times (f_c / 100)^{0.2} \}$$

where N_c is the number of test channels, f_{high} and f_{low} are the highest and lowest frequencies within the transmission band, f_c is the mid-band frequency, and frequencies are in MHz.

7.0 Measurement Equipment

Table 4 – Equipment

Equipment Type	Model #	SN	Calibration Date	Calibration Due Date
Automobile	Volvo 240-1988	NA	NA	NA
*Survey Meter	ETS Model HI-2200	00086887	05/06/2020	05/06/2021
*Probe – E-Field	ETS Model E100	00224511		
*Survey Meter	ETS Model HI-2200	00086887	05/06/2020	05/06/2021
*Probe – H-Field	ETS Model H200	00224521		
Survey Meter	ETS Model HI-2200	00086316	06/21/2021	06/21/2022
Probe – E-Field	ETS Model E100	00206767		
Survey Meter	ETS Model HI-2200	00086316	06/21/2021	06/21/2022
Probe – H-Field	ETS Model H200	00206937		

E-field measurements are in mW/cm².

H field measurements are in A/m.

Note: “*” Equipment is replaced with other before the due date.

8.0 Measurement System Uncertainty Levels

Table 5 – Uncertainty Budget for Near Field Probe Measurements

	Tol. (± %)	Prob. Dist.	Divisor	u_i (±%)		v_i
Measurement System						
Probe Calibration	7.1	N	1.00	7.1	50.4	∞
Survey Meter Calibration	0.0	N	1.00	0.0	0.0	∞
Hemispherical Isotropy	8.0	R	1.73	4.6	21.33	∞
Linearity	5.0	R	1.73	2.9	8.33	∞
Pulse Response	1.0	R	1.73	0.6	0.33	∞
RF Ambient Noise	3.0	R	1.73	1.7	3.00	∞
RF Reflections	8.0	R	1.73	4.6	21.33	∞
Probe Positioning	10.0	R	1.73	5.8	33.333	∞
Test sample Related					0.00	
Antenna Positioning	3.0	N	1.00	3.0	9.0	∞
Power drift	5.0	R	1.73	2.9	8.33	∞
Bystander measurement uncertainty	4.8	N	1.00	4.8	23.04	∞
Passenger measurement uncertainty	8.1	N	1.00	8.1	65.61	∞
Combined Standard Uncertainty		RSS		15.6	15.6	∞
Expanded Uncertainty (95% CONFIDENCE LEVEL)		$k=2$		31	31	

9.0 Product and System Description

APX 6500 UHF R2 operates in the LMR bands using either frequency modulation (FM) with 100% transmit duty cycle or TDMA signals with maximum of 50% transmit duty cycle. For conservative assessment, FM signal was tested. A duty factor of 50% applies for PTT operation mode.

This device also incorporates a Class 1 Bluetooth device which is a Frequency Hopping Spread Spectrum (FHSS) technology. The Bluetooth radio modem is used to wireless link audio accessories. The maximum actual transmission duty cycle is imposed by the Bluetooth standard. The maximum duty cycle for BT is 100%. Bluetooth Low Energy (BT LE) intended to reduce power consumption.

This device also contains WLAN technology for data capabilities over 802.11b/g/n 2.4 GHz and 802.11 a/n/ac 5 GHz wireless networks.

MOBEXCOM DVR VHF is Digital Vehicular Repeater (DVR) manufactured by Futurecom System Group. At standalone the DVR operates at a maximum power up to 20W, but when the DVR is interfaced to the APX 6500 UHF R2 Mobile radio, the maximum power is 6W as listed in Table 6. For more detailed information refer to the Product Safety and RF Energy Exposure Booklet for DVR.

Table 6 below summarizes the technologies, bands, maximum duty cycles and maximum output powers. Maximum output powers are defined as upper limit of the production line final test station.

Table 6 – Bands, Duty Cycle and Maximum Power

Technologies	Band (MHz)	Duty Cycle (%)	Max Power (W)
APX 6500 (UHF R2)	450 - 520 (UHF2 band)	50 (PTT)	54 (450-485 MHz) 48 (485-512 MHz) 30 (512-520 MHz)
	BT 2402 - 2480	100	0.0112
	BT LE 2402 - 2480	100	0.0063
	WLAN 2400 – 2462 (802.11b/g/n)	100	0.0398 (802.11b)
			0.0158 (802.11g)
WLAN 5180 - 5825 (802.11 a/n/ac)	100	0.0126 (802.11n) 0.0158	
DVR VHF	136-174	100	6

This test report covers the RF exposure performance of the APX 6500 UHF R2 FCC ID: AZ492FT4967 interfaced with, and transmitting simultaneously with Companion device (DVR VHF) FCC ID: LO6-DVRSVHF. DVR operate in repeater; transmit with duty cycle up to 100%. A duty factor of 50% applies for APX 6500 UHF R2 with PTT operating mode.

Table 7 – Simultaneous transmission conditions

Simultaneous transmission conditions	APX 6500 UHF R2	DVR VHF
APX 6500 UHF R2 + DVR VHF	X	X

Note:
x: Simultaneous transmitting antennas

This device will be marketed to and used by employees solely for work-related operations. User training is the responsibility of the organizations that employ the individuals using the occupational device. The Product Safety and RF Energy Exposure Booklet for Digital Vehicular Repeater Systems (DVRS) contains all the information necessary to inform the organization and its employees in safe usage and for creating training materials or conducting instructional sessions for those employees.

Accordingly this product is classified as Occupational/Controlled Exposure. However, in accordance with FCC requirements, the passengers inside the vehicle and the bystanders external to the vehicle are evaluated to the General Population/Uncontrolled Exposure Limits.

(Note that “Bystanders” as used herein are people other than operator)

10.0 Additional Options and Accessories

Not available.

11.0 Test Set-Up Description

Assessments were performed with APX 6500 UHF R2 Mobile radio and Companion device (DVR VHF) installed in the test vehicle, at the specified distances and test locations indicated in sections 12.0, 13.0 and Appendix A.

All antennas described in Table 8 were considered in order to develop the test plan for this product. Antennas were installed and tested per their appropriate mount locations (Roof / Trunk) and defined test channels. The DVR antenna mounted at center of the trunk (for external/bystander measurement) or toward the center of the trunk at a minimum 85 cm from backseat passenger (for Internal/passenger measurement), and the APX 6500 UHF R2 Mobile radio antennas are mounted at the center of the roof.

The system was tested using a low-loss 16’ Teflon RG58A/U cable attaching the radio to the transmit antenna. This cable is shorter and lower attenuation than the 17’ RG58A/U cables supplied in the customer kits for connecting the radio to the transmit antenna. The cable used in the test setup also has lower attenuation over the test frequency range than the cable provided in the customer kits. The use of a shorter cable with lower attenuation in the test setup ensures that the test data is more conservative with regards to the actual installation. Cable losses are reported in Appendix A.

12.0 Method of Measurement with trunk mounted antenna(s)

12.1 External/Bystander vehicle MPE measurements

Initially the DVR antenna is located at the center of the trunk. Refer to Appendix A for antenna location and distance.

MPE measurements for bystander (BS) conditions are determined by taking the average of (10) measurements in a 2 m vertical line for each of the (5) bystander test locations indicated in Appendix A with 20 cm height increments, with the distance of 90cm from the test vehicle's body, as stated in the user manual. The measurement probe is positioned orthogonal to antenna (typically parallel to ground with a vertically mounted antenna) and aimed directly at the antenna's axis. These measurements are representative of persons other than the operator standing next to the vehicle.

12.2 Internal/Passenger vehicle MPE measurements

The DVR antenna is located toward the center of the trunk at a minimum 85 cm from backseat passenger. Refer to Appendix A for antenna location and distance.

MPE measurements for passenger front seat (PF) and backseat (PB) conditions are determined by taking the average of the (3) measurements (Head, Chest, and Lower Trunk) inside the vehicle for both the front and back seats.

The backseat is a bench seat and therefore each position (Head, Chest & Lower Trunk) were scanned across (horizontally) the seat starting from the middle of the seat to the edge of the seat stopping 20 cm from the vehicle door. Similar process was used in the front bucket seat.

The probe handle is oriented parallel (horizontal) to the ground and pointed towards the back of the vehicle. The probe handle is not oriented normal to the seat surface. The probe head (incorporating the field sensors) is scanned continuously (using the max-hold function available in the meter) along three test axes which are parallel to the seat angle (intended as the line determined by the intersection of the plane of the seat and the plane of the backrest) and are 20 cm from the seat surface. One test axis is at the Head height, another is at the Chest height, and another is at the Lower Trunk height. The maximum field level value recorded for each test axis is logged. The MPE is determined by averaging these three maximum values regardless of the geometrical location where they were observed. For instance, the locations of the three maxima may lie on different vertical (relative to ground) lines.

This approach leads to results that are representative of the exposure of vehicle occupants since it is based on an average across the body portions closest to the antenna for trunk mount positions, and is conservatively biased because the highest results for each test axis are combined, e.g. the highest head exposure could be in the middle of the seat while the highest lower trunk exposure could be closer to the door.

13.0 Method of Measurement APX 6500 UHF R2 Mobile radio with roof mounted antenna(s)

The installation requirements for this radio indicate that in multiple single-band antenna configurations and the antennas should be installed at the center of the roof.

13.1 External/Bystander vehicle MPE measurements

Antenna is located at the center of the roof. (Refer to Appendix A for antenna location and distance)

MPE measurements for bystander (BS) conditions are determined by taking the average of (10) measurements in a 2m vertical line for each of the (5) bystander test locations indicated in Appendix A with 20 cm height increments at the test distance of 90cm from the test vehicle body.

The measurement probe is positioned orthogonal to antenna (typically parallel to ground with a vertically mounted antenna) and aimed directly at the antenna's axis. These measurements are representative of persons other than the operator standing next to the vehicle.

13.2 Internal/Passenger vehicle MPE measurements

Antenna is located at the center of the roof. (Refer to Appendix A for antenna location and distance)

MPE measurements for passenger front seat (PF) and backseat (PB) conditions are determined by taking the average of the (3) measurements (Head, Chest, and Lower Trunk) inside the vehicle for both the front and back seats.

The backseat is a bench seat and therefore each position (Head, Chest & Lower Trunk) were scanned across (horizontally) the seat starting from the middle of the seat to the edge of the seat stopping 20 cm from the vehicle door. Similar process was used in the front bucket seat.

The probe handle is oriented parallel (horizontal) to the ground and pointed towards the back of the vehicle. The probe handle is not oriented normal to the seat surface. The probe head (incorporating the field sensors) is scanned continuously (using the max-hold function available in the meter) along three test axes which are parallel to the seat angle (intended as the line determined by the intersection of the plane of the seat and the plane of the backrest) and are 20 cm from the seat surface. One test axis is at the Head height, another is at the Chest height, and another is at the Lower Trunk height. The maximum field level value recorded for each test axis is logged. The MPE is determined by averaging these three maximum values regardless of the geometrical location where they were observed. For instance, the locations of the three maxima may lie on different vertical (relative to ground) lines.

This approach leads to results that are representative of the exposure of vehicle occupants since it is based on an average across the body portions closest to the antenna for both trunk and roof mount positions, and is conservatively biased because the highest results for each test axis are combined, e.g. the highest head exposure could be in the middle of the seat while the highest lower trunk exposure could be closer to the door.

14.0 MPE Variability Requirement for External/Bystander vehicle MPE measurement

If all the MPE bystander measurements for a particular antenna are below 50% of the FCC MPE limit, no variability testing for that antenna is required.

If one or more MPE bystander measurements for a particular is between 50-80% of the MPE limit, with no results > 80%, variability testing shall be done on the single worst case for that antenna.

For any MPE bystander measurement above 80% of the MPE limit, variability testing shall be done for all of such configuration. When SAR simulation is performed for a particular antenna configuration to determine compliance, variability measurements are not required for that antenna configuration.

15.0 MPE Calculations

The final MPE results for APX 6500 UHF R2 Mobile radio and Companion device (DVR VHF) are presented in section 17.0. These results are based on 50% duty cycle for APX 6500 UHF R2 MHz (PTT operation) and 100% duty cycle for DVR VHF (repeater operation).

Below is an explanation of how the MPE results are calculated. Refer to Appendix F for APX 6500 UHF R2; Appendix G for Companion device (DVR VHF).

External to vehicle (Bystander) - 10 measurements are averaged over the body (*Avg_over_body*).
 Internal to vehicle (Passengers) - 3 measurements are averaged over the body (*Avg_over_body*).

The Average over Body test methodology is consistent with IEEE/ANSI C95.3-2002 guidelines.

Therefore;

Equation 2 – Power Density Calculation (*Calc. P.D.*)

$$Calc. P.D. = (Avg_over_body) * (probe_frequency_cal_factor) * (duty_cycle)$$

Note 1: The highest “average” cal factors from the calibration certificates were selected for the applicable frequency range. Linear interpretation was used to determine “probe_frequency_cal_factor” for the specific test frequencies.

Note 2: The E-field probe calibration certificate’s frequency cal factors were determined by measuring V/m. The survey meter’s results were measured in power density (mW/cm²) and therefore the “probe_frequency_cal_factor” was squared in equation 2 to account for these results.

Note 3: The H-field probe calibration certificate’s frequency cal factors were determined by measuring A/m. The survey meter’s results were measured in A/m and therefore the “Avg_over_body” A/m results were converted to power density (mW/cm²) using the equation 3. H-field measurements are only applicable to frequencies below 300MHz.

Equation 3 – Converting A/m to mW/cm²

$$mW/cm^2 = (A/m)^2 * 37.699$$

Equation 4 – Power Density Maximum Calculation

$$Max_Calc._P.D. = P.D._calc * \frac{max_output_power}{initial_output_power}$$

Note 4: For initial output power > max_output_power; max_output_power / initial output power = 1

16.0 Antenna Summary

Table below summarizes the tested or evaluated antennas and their descriptions, mount location (roof/trunk), overlap of FCC bands, number of test channels per FCC KDB 447498 (FCC Nc). This information was used to determine the test configurations presented in this report.

Table 8

Antenna No.	Antenna Model	Frequency Range (MHz)	Physical Length (cm)	Gain (dBi)	Remarks	Mount Location (Roof/Trunk)	Overlap FCC Bands (MHz)	FCC Nc
APX 6500 UHF R2								
1	HAE4003A	450-470	16	2.15	1/4 wave	R	450-470	3
2	HAE4011A	450-470	73.2	5.65	1/2 wave	R/T	450-470	3
3	HAE6013A	380-470	29	4.15	1/2 wave	R/T	450-470	3
4	HAE6016A	450-512	8.3	2.15	1/4 wave	R	450-512	5
5	HAE6031A	380-520	28	4.15	1/2 wave	R/T	450-512	5
6	*RAE4014ARB	445-470	92.7 (450.0125 MHz) 90.5 (460 MHz) 89.0 (469.9875 MHz)	7.15	5/8 wave	R/T	450-470	3
7	*RAE40416ARB	494-512	85.7 (494.9875 MHz) 83.6 (503.0000 MHz) 83.3 (511.9875 MHz)	7.15	5/8 wave	R/T	494-512	3
BT/WLAN								
8	PMAN5100A	2400-2500	5.7 (L) x 1.9 (W)	3.0	-	Glass mount	2412-2462	3
9	PMAN5101A	2400-2500 / 4900-5900	5.4 (L) x 1.32 (W)	2.7 / 0.2	-	Glass mount	2412-2462 ; 5180-5825	3
10	AN000163A01	2400-2500 / 4900-5900	7	3.5 / 3.3	Monopole	R/T	2412-2462 ; 5180-5825	3
11	AN000163A05	2400-2500 / 4900-5900	7	2.5 / 1.6	Monopole	R/T	2412-2462 ; 5180-5825	3
DVR VHF								
12	HAD4006A	136-144	52.0	2.15	1/4 wave	T	NA	0
13	HAD4007A	144-150.8	49.0	2.15	1/4 wave	T	150.8	1
14	HAD4008A	150.8-162	45.5	2.15	1/4 wave	T	150.8-162	3
15	HAD4009A	162-174	43.0	2.15	1/4 wave	T	162-173.4	3

Notes: * Antenna length trimmed to frequency.

17.0 Test Results Summary

17.1 MPE Test Results Summary for APX 6500 UHF R2 Mobile radio and DVR VHF

Refer to the following appendices for MPE test results for each test configuration: antenna location, test positions (BS1-Bystander test location #1, BS2-Bystander test location #2, BS3-Bystander test location #3, BS4-Bystander test location #4, BS5-Bystander test location #5, PB-Passenger Backseat, PF-Passenger Front seat), E/H field measurements, antenna model & freq. range, maximum output power, initial power, TX frequency, max calculated power density results, applicable specification limits and % of the applicable specification limits.

- Appendix D for APX 6500 UHF R2
- Appendix E for Companion Device (DVR VHF)

Table 9

Test Positions	APX 6500 (FCC ID: AZ492FT4967)		DVR VHF (FCC ID: AZ492FT4967)	
	Power Density (mw/cm ²)	Highest % of Limit	Power Density (mw/cm ²)	Highest % of Limit
FCC US				
Passenger, Front Seat (PF)	0.031	9.9%	0.036	18.0%
Passenger, Back Seat (PB)	0.054	17.3%	0.230	114.8%
Bystander #1 (BS-1)	0.044	14.7%	0.013	6.4%
Bystander #2 (BS-2)	0.041	13.4%	0.022	10.9%
Bystander #3 (BS-3)	0.030	9.9%	0.042	21.0%
Bystander #4 (BS-4)	0.017	5.7%	0.041	20.5%
Bystander #5 (BS-5)	0.016	5.3%	0.022	10.9%
ISED Canada				
Passenger, Front Seat (PF)	0.031	17.7%	0.036	27.8%
Passenger, Back Seat (PB)	0.054	31.0%	0.230	177.9%
Bystander #1 (BS-1)	0.044	26.0%	0.015	11.6%
Bystander #2 (BS-2)	0.041	23.7%	0.022	16.8%
Bystander #3 (BS-3)	0.030	17.5%	0.042	32.5%
Bystander #4 (BS-4)	0.017	10.1%	0.041	31.7%
Bystander #5 (BS-5)	0.016	9.3%	0.022	17.0%

17.2 MPE Test Results for Bluetooth and WLAN

Antenna PMAN5100A and PMAN5101A was intended for mounting on the windshield of the vehicle. These antennas should be installed close to the top, and on the front windshield only. Antennas AN000163A01 and AN000163A05 support WLAN 2.4 GHz / 5 GHz should be installed at roof or trunk of the vehicle. WLAN 2.4 GHz and 5 GHz will not transmit simultaneously.

MPE calculation was use to determine power density for these transmitters due to lower power. According to FCC’s OET Bulletin 65 Edition 97-01 Section 2, calculations can be made to predict RF field strength and power density levels around typical RF sources. Equation (5) is generally accurate in far-field of an antenna.

Equation 5 – Power Density Calculation

$$S = \frac{P_t G}{4\pi d^2 L} F$$

Equation (5) accounts for the maximum duty cycle of the signal, and the factor, F, to provide a worst-case prediction of power density per FCC OET Bulletin 65, Edition 97-01 1997.

- Where:
- S = power density
 - P_t = maximum output power scaled by the maximum duty cycle of the signal
 - G = power gain of the antenna in the direction of interest relative to an isotropic radiator
 - d = distance from antenna
 - F = Enhancement factor [1 or 2.56 for predicting ground-level field strength]

Table 10 summarized the MPE calculation for each standalone transmitter bands, Bluetooth and WLAN.

Table 10

Antenna #	Max Power (W)	Duty Cycle (%)	Tx Frequency (MHz)	Antenna Gain (dBi)	Cable Loss, L (dB)	Dist., d (cm)	Enhancement Factor, F	Max Calc. MPE (mW/cm ²)	MPE Spec Limit (mW/cm ²)					
									FCC	% To FCC Spec Limit	ICNIRP	% To ICNIRP Spec Limit	ISED limit	% To ISED Spec Limit
WLAN 2.4 GHz														
AN000163A01	0.040	100%	2412.0	3.50	0.00	20	1.00	0.018	1.00	1.77	1.00	1.77	0.54	3.30
AN000163A01	0.040	100%	2437.0	3.50	0.00	20	1.00	0.018	1.00	1.77	1.00	1.77	0.54	3.28
AN000163A01	0.040	100%	2462.0	3.50	0.00	20	1.00	0.018	1.00	1.77	1.00	1.77	0.54	3.26
AN000163A05	0.040	100%	2412.0	2.50	0.00	20	1.00	0.014	1.00	1.41	1.00	1.41	0.54	2.62
AN000163A05	0.040	100%	2437.0	2.50	0.00	20	1.00	0.014	1.00	1.41	1.00	1.41	0.54	2.61
AN000163A05	0.040	100%	2462.0	2.50	0.00	20	1.00	0.014	1.00	1.41	1.00	1.41	0.54	2.59
PMANS100A	0.040	100%	2412.0	3.00	0.00	20	1.00	0.016	1.00	1.58	1.00	1.58	0.54	2.94
PMANS100A	0.040	100%	2437.0	3.00	0.00	20	1.00	0.016	1.00	1.58	1.00	1.58	0.54	2.92
PMANS100A	0.040	100%	2462.0	3.00	0.00	20	1.00	0.016	1.00	1.58	1.00	1.58	0.54	2.90
PMANS101A	0.040	100%	2412.0	2.70	0.00	20	1.00	0.015	1.00	1.47	1.00	1.47	0.54	2.75
PMANS101A	0.040	100%	2437.0	2.70	0.00	20	1.00	0.015	1.00	1.47	1.00	1.47	0.54	2.73
PMANS101A	0.040	100%	2462.0	2.70	0.00	20	1.00	0.015	1.00	1.47	1.00	1.47	0.54	2.71
WLAN 5 GHz														
AN000163A01	0.016	100%	5180.0	3.30	0.00	20	1.00	0.007	1.00	0.67	1.00	0.67	0.90	0.75
AN000163A01	0.016	100%	5502.5	3.30	0.00	20	1.00	0.007	1.00	0.67	1.00	0.67	0.94	0.71
AN000163A01	0.016	100%	5825.0	3.30	0.00	20	1.00	0.007	1.00	0.67	1.00	0.67	0.98	0.69
AN000163A05	0.016	100%	5180.0	1.60	0.00	20	1.00	0.005	1.00	0.46	1.00	0.46	0.90	0.50
AN000163A05	0.016	100%	5502.5	1.60	0.00	20	1.00	0.005	1.00	0.46	1.00	0.46	0.94	0.48
AN000163A05	0.016	100%	5825.0	1.60	0.00	20	1.00	0.005	1.00	0.46	1.00	0.46	0.98	0.46
PMANS101A	0.016	100%	5180.0	0.20	0.00	20	1.00	0.003	1.00	0.33	1.00	0.33	0.90	0.36
PMANS101A	0.016	100%	5502.5	0.20	0.00	20	1.00	0.003	1.00	0.33	1.00	0.33	0.94	0.35
PMANS101A	0.016	100%	5825.0	0.20	0.00	20	1.00	0.003	1.00	0.33	1.00	0.33	0.98	0.34
Blue-tooth 2.4 GHz														
AN000163A01	0.011	100%	2402.0	3.50	0.00	20	1.00	0.005	1.00	0.50	1.00	0.50	0.54	0.93
AN000163A01	0.011	100%	2441.0	3.50	0.00	20	1.00	0.005	1.00	0.50	1.00	0.50	0.54	0.92
AN000163A01	0.011	100%	2480.0	3.50	0.00	20	1.00	0.005	1.00	0.50	1.00	0.50	0.55	0.91
AN000163A05	0.011	100%	2402.0	2.50	0.00	20	1.00	0.004	1.00	0.40	1.00	0.40	0.54	0.74
AN000163A05	0.011	100%	2441.0	2.50	0.00	20	1.00	0.004	1.00	0.40	1.00	0.40	0.54	0.73
AN000163A05	0.011	100%	2480.0	2.50	0.00	20	1.00	0.004	1.00	0.40	1.00	0.40	0.55	0.73
PMANS100A	0.011	100%	2402.0	3.00	0.00	20	1.00	0.004	1.00	0.45	1.00	0.45	0.54	0.83
PMANS100A	0.011	100%	2441.0	3.00	0.00	20	1.00	0.004	1.00	0.45	1.00	0.45	0.54	0.82
PMANS100A	0.011	100%	2480.0	3.00	0.00	20	1.00	0.004	1.00	0.45	1.00	0.45	0.55	0.81
PMANS101A	0.011	100%	2402.0	2.70	0.00	20	1.00	0.004	1.00	0.42	1.00	0.42	0.54	0.78
PMANS101A	0.011	100%	2441.0	2.70	0.00	20	1.00	0.004	1.00	0.42	1.00	0.42	0.54	0.77
PMANS101A	0.011	100%	2480.0	2.70	0.00	20	1.00	0.004	1.00	0.42	1.00	0.42	0.55	0.76

Notes:

- 1) Distance from antenna (d), 20cm for conservative distance estimation.
- 2) Cable loss (L), all cable loss include in antenna gain, so should be 0 dB.
- 3) Enhancement Factor (F), 1 (Ground reflection already factor in during antenna characterization)

17.3 Simultaneous Transmission

APX 6500 UHF R2 will transmit simultaneously with Companion device (DVR VHF); refer to Table 7 for all simultaneous transmission conditions.

The combine MPE results for APX 6500 UHF R2 and Companion device (DVR VHF) were calculated base on the percent of MPE limit for each applicable test channels according to the formula below. This is due to the signals emitted by each individual transmitter are statistically uncorrelated; the collective compliance of the transmitters is determined by summing the individual ratios between actual measured power density (S) and maximum allowed MPE exposure. Compliance is achieved if the total exposure (T) is less than one.

Formula:

$$T = \frac{S_1}{MPE_1} + \frac{S_2}{MPE_2} + \dots < 1$$

The highest combined power density percentage of the applicable specification limits are indicating in table 11.

Table 11 – Highest Combine MPE % of limits

Test Positions	APX 6500 (FCC ID: AZ492FT4967)		DVR VHF (FCC ID: LO6-DVRSVHF)	APX 6500 + WLAN + DVR VHF	
	UHF (450- 520MHz)	WLAN	VHF (136-174MHz)	[1]+[2]+[3] Combine % of Limit	Table No.
	[1] Highest % of Limit	[2] Highest % of Limit	[3] Highest % of Limit		
FCC US					
Passenger, Front Seat (PF)	9.9%	1.77%	18%	29.7%	-
Passenger, Back Seat (PB)	17.3%	1.77%	114.8%	133.9%	12
Bystander #1 (BS-1)	14.7%	1.77%	6.4%	22.9%	-
Bystander #2 (BS-2)	13.4%	1.77%	10.9%	26.1%	-
Bystander #3 (BS-3)	9.9%	1.77%	21.0%	32.7%	-
Bystander #4 (BS-4)	5.7%	1.77%	20.5%	28.0%	-
Bystander #5 (BS-5)	5.2%	1.77%	10.9%	18.0%	-
ISED Canada					
Passenger, Front Seat (PF)	17.7%	3.3%	27.8%	48.8%	-
Passenger, Back Seat (PB)	31.0%	3.3%	177.9%	212.2%	13
Bystander #1 (BS-1)	26.0%	3.3%	11.6%	40.9%	-
Bystander #2 (BS-2)	23.7%	3.3%	16.8%	43.8%	-
Bystander #3 (BS-3)	17.5%	3.3%	32.5%	53.3%	-
Bystander #4 (BS-4)	10.1%	3.3%	31.7%	45.1%	-
Bystander #5 (BS-5)	9.3%	3.3%	17.0%	29.6%	-

Note: Refer to indicated table no. for result in bold to determine configurations that require SAR simulations.

Table 12 (a) – Combined MPE % of FCC US limit (Passenger, Back Seat)
 (APX 6500 UHF R2_E Field & Companion Device DVR VHF_E Field)

		DVRS Antenna (Trunk Mounted)										
		E/H Field		E Field								
		DVRS Antenna		HAD4007A, 1/4 Wave (144- 150.8MHz)	HAD4008A, 1/4 Wave (150.8- 162MHz)	HAD4008A, 1/4 Wave (150.8- 162MHz)	HAD4008A, 1/4 Wave (150.8- 162MHz)	HAD4009A, 1/4 Wave (162- 174MHz)	HAD4009A, 1/4 Wave (162- 174MHz)	HAD4009A, 1/4 Wave (162- 174MHz)		
		DVR Freq (MHz)		150.8000	150.8000	156.4000	162.0000	162.0000	167.7000	173.4000		
Mobile (roof Mounted)	E/H Field	Mobile Antenna (Roof Mounted)	LMR Freq (MHz)	% of Limit	51.4	49.0	68.4	*114.8	86.2	80.3	92.3	
	E Field	HAE4003A, 450 MHz - 470 MHz	450.0125	16.3	67.7	65.3	84.7	*131.07	*102.47	96.6	*108.57	
		HAE4003A, 450 MHz - 470 MHz	460.0000		15.8	67.2	64.8	84.2	*130.57	*101.97	96.1	*108.07
		HAE4003A, 450 MHz - 470 MHz	469.9875		15.5	66.9	64.5	83.9	*130.27	*101.67	95.8	*107.77
		HAE4011A, 450 MHz - 470 MHz	450.0125		3.1	54.5	52.1	71.5	*117.87	89.3	83.4	95.4
		HAE4011A, 450 MHz - 470 MHz	460.0000		3.3	54.7	52.3	71.7	*118.07	89.5	83.6	95.6
		HAE4011A, 450 MHz - 470 MHz	469.9875		3.7	55.1	52.7	72.1	*118.47	89.9	84.0	96.0
		HAE6013A, 380 MHz - 470 MHz	450.0125		18.1	69.5	67.1	86.5	*132.87	*104.27	98.4	*110.37
		HAE6013A, 380 MHz - 470 MHz	460.0000		18.4	69.8	67.4	86.8	*133.17	*104.57	98.7	110.7
		HAE6013A, 380 MHz - 470 MHz	469.9875		16.8	68.2	65.8	85.2	*131.57	*102.97	97.1	109.1
		HAE6016A, 450 MHz - 512 MHz	450.0125		14.8	66.2	63.8	83.2	*129.57	*100.97	95.1	107.1
		HAE6016A, 450 MHz - 512 MHz	469.9875		12.6	64.0	61.6	81.0	*127.37	98.8	92.9	104.9
		HAE6016A, 450 MHz - 512 MHz	482.5000		17.5	68.9	66.5	85.9	*132.27	103.7	97.8	109.8
		HAE6016A, 450 MHz - 512 MHz	496.5000		6.8	58.2	55.8	75.2	*121.57	93.0	87.1	99.1
		HAE6016A, 450 MHz - 512 MHz	511.9875		5.5	56.9	54.5	73.9	*120.27	91.7	85.8	97.8
		HAE6031A, 380-520MHz	450.0125		18.3	69.7	67.3	86.7	*133.07	*104.47	98.6	*110.57
		HAE6031A, 380-520MHz	469.9875		19.1	70.5	68.1	87.5	*133.87	*105.27	99.4	*111.37
		HAE6031A, 380-520MHz	482.5000		18.3	69.7	67.3	86.7	*133.07	*104.47	98.6	*110.57
		HAE6031A, 380-520MHz	496.5000		9.2	60.6	58.2	77.6	*123.97	95.4	89.5	*101.47
		HAE6031A, 380-520MHz	511.9875		6.8	58.2	55.8	75.2	*121.57	93.0	87.1	99.1
		RAE4016AR B, 494 MHz - 512MHz	494.9875		2.6	54.0	51.6	71.0	*117.37	88.8	82.9	94.9
		RAE4016AR B, 494 MHz - 512MHz	503.0000		3.0	54.4	52.0	71.4	*117.77	89.2	83.3	95.3
		RAE4016AR B, 494 MHz - 512MHz	511.9875		2.5	53.9	51.5	70.9	*117.27	88.7	82.8	94.8
		RAE4014AR B, 445 - 470 MHz	450.0125		3.1	54.5	52.1	71.5	*117.87	89.3	83.4	95.4
		RAE4014AR B, 445 - 470 MHz	460.0000		5.3	56.7	54.3	73.7	*120.07	91.5	85.6	97.6
		RAE4014AR B, 445 - 470 MHz	469.9875		4.2	55.6	53.2	72.6	*118.97	90.4	84.5	96.5

Notes:
 * Configurations require SAR simulations.

Table 12 (b) – Combined MPE % of FCC US limit (Passenger, Back Seat)
 (APX 6500 UHF R2_E Field & Companion Device DVR VHF_H Field)

		DVRS Antenna (Trunk Mounted)									
		E/H Field		H Field							
		DVRS Antenna	HAD4007A, 1/4 Wave (144- 150.8MHz)	HAD4008A, 1/4 Wave (150.8- 162MHz)	HAD4008A, 1/4 Wave (150.8- 162MHz)	HAD4008A, 1/4 Wave (150.8- 162MHz)	HAD4009A, 1/4 Wave (162- 174MHz)	HAD4009A, 1/4 Wave (162- 174MHz)	HAD4009A, 1/4 Wave (162- 174MHz)		
		DVR Freq (MHz)	150.8000	150.8000	156.4000	162.0000	162.0000	167.7000	173.4000		
Mobile (roof Mounted)	E/H Field	Mobile Antenna (Roof Mounted)	LMR Freq (MHz)	% of Limit	47.9	37.8	71.2	87.3	59.5	79.3	46.5
	E Field		HAE4003A, 450 MHz - 470 MHz	450.0125	16.3	64.2	54.1	87.5	*103.57	75.8	95.6
		HAE4003A, 450 MHz - 470 MHz	460.0000	15.8	63.7	53.6	87.0	*103.07	75.3	95.1	62.3
		HAE4003A, 450 MHz - 470 MHz	469.9875	15.5	63.4	53.3	86.7	*102.77	75.0	94.8	62.0
		HAE4011A, 450 MHz - 470 MHz	450.0125	3.1	51.0	40.9	74.3	90.4	62.6	82.4	49.6
		HAE4011A, 450 MHz - 470 MHz	460.0000	3.3	51.2	41.1	74.5	90.6	62.8	82.6	49.8
		HAE4011A, 450 MHz - 470 MHz	469.9875	3.7	51.6	41.5	74.9	91.0	63.2	83.0	50.2
		HAE6013A, 380 MHz - 470 MHz	450.0125	18.1	66.0	55.9	89.3	*105.37	77.6	97.4	64.6
		HAE6013A, 380 MHz - 470 MHz	460.0000	18.4	66.3	56.2	89.6	*105.67	77.9	97.7	64.9
		HAE6013A, 380 MHz - 470 MHz	469.9875	16.8	64.7	54.6	88.0	*104.07	76.3	96.1	63.3
		HAE6016A, 450 MHz - 512 MHz	450.0125	14.8	62.7	52.6	86.0	*102.07	74.3	94.1	61.3
		HAE6016A, 450 MHz - 512 MHz	469.9875	12.6	60.5	50.4	83.8	99.9	72.1	91.9	59.1
		HAE6016A, 450 MHz - 512 MHz	482.5000	17.5	65.4	55.3	88.7	*104.77	77.0	96.8	64.0
		HAE6016A, 450 MHz - 512 MHz	496.5000	6.8	54.7	44.6	78.0	94.1	66.3	86.1	53.3
		HAE6016A, 450 MHz - 512 MHz	511.9875	5.5	53.4	43.3	76.7	92.8	65.0	84.8	52.0
		HAE6031A, 380-520MHz	450.0125	18.3	66.2	56.1	89.5	*105.57	77.8	97.6	64.8
		HAE6031A, 380-520MHz	469.9875	19.1	67.0	56.9	90.3	*106.37	78.6	98.4	65.6
		HAE6031A, 380-520MHz	482.5000	18.3	66.2	56.1	89.5	*105.57	77.8	97.6	64.8
		HAE6031A, 380-520MHz	496.5000	9.2	57.1	47.0	80.4	96.5	68.7	88.5	55.7
		HAE6031A, 380-520MHz	511.9875	6.8	54.7	44.6	78.0	94.1	66.3	86.1	53.3
		RAE4016AR B, 494 MHz - 512MHz	494.9875	2.6	50.5	40.4	73.8	89.9	62.1	81.9	49.1
		RAE4016AR B, 494 MHz - 512MHz	503.0000	3.0	50.9	40.8	74.2	90.3	62.5	82.3	49.5
		RAE4016AR B, 494 MHz - 512MHz	511.9875	2.5	50.4	40.3	73.7	89.8	62.0	81.8	49.0
		RAE4014AR B, 445 - 470 MHz	450.0125	3.1	51.0	40.9	74.3	90.4	62.6	82.4	49.6
		RAE4014AR B, 445 - 470 MHz	460.0000	5.3	53.2	43.1	76.5	92.6	64.8	84.6	51.8
		RAE4014AR B, 445 - 470 MHz	469.9875	4.2	52.1	42.0	75.4	91.5	63.7	83.5	50.7

Notes:
 * Configurations require SAR simulations.

Table 13 (a) – Combined MPE % of ISED Canada limit (Passenger, Back Seat)
 (APX 6500 UHF R2_E Field & Companion Device DVR VHF_E Field)

		DVRs Antenna (Trunk Mounted)												
		E/H Field		E Field										
		DVRs Antenna	HAD4006A, 1/4 Wave (136-144MHz)	HAD4006A, 1/4 Wave (136-144MHz)	HAD4007A, 1/4 Wave (144-150.8MHz)	HAD4007A, 1/4 Wave (144-150.8MHz)	HAD4008A, 1/4 Wave (150.8-162MHz)	HAD4008A, 1/4 Wave (150.8-162MHz)	HAD4008A, 1/4 Wave (150.8-162MHz)	HAD4009A, 1/4 Wave (162-174MHz)	HAD4009A, 1/4 Wave (162-174MHz)	HAD4009A, 1/4 Wave (162-174MHz)	HAD4009A, 1/4 Wave (162-174MHz)	
		DVR Freq (MHz)	140.0000	144.0000	144.0000	150.8000	150.8000	156.4000	162.0000	162.0000	167.7000	173.4000		
Mobile (roof Mounted)	E/H Field	Mobile Antenna (Roof Mounted)	LMR Freq (MHz)	% of Limit	*151.5	*129.8	*113	79.7	75.9	*106	*177.9	*133.6	*124.4	*143
	E Field	HAE4003A, 450 MHz - 470 MHz	450.0125	28.8	*180.3	*158.6	*141.8	*108.5	*104.7	*134.8	*206.7	*162.4	*153.2	*171.8
		HAE4003A, 450 MHz - 470 MHz	460.0000	28.0	*179.5	*157.8	*141	*107.7	*103.9	*134	*205.9	*161.6	*152.4	*171
		HAE4003A, 450 MHz - 470 MHz	469.9875	27.7	*179.2	*157.5	*140.7	*107.4	*103.6	*133.7	*205.6	*161.3	*152.1	*170.7
		HAE4011A, 450 MHz - 470 MHz	450.0125	5.7	*157.2	*135.5	*118.7	85.4	81.6	*111.7	*183.6	*139.3	*130.1	*148.7
		HAE4011A, 450 MHz - 470 MHz	460.0000	5.9	*157.4	*135.7	*118.9	85.6	81.8	*111.9	*183.8	*139.5	*130.3	*148.9
		HAE4011A, 450 MHz - 470 MHz	469.9875	6.6	*158.1	*136.4	*119.6	86.3	82.5	*112.6	*184.5	*140.2	*131	*149.6
		HAE6013A, 380 MHz - 470 MHz	450.0125	32.0	*183.5	*161.8	*145	*111.7	*107.9	*138	*209.9	*165.6	*156.4	*175
		HAE6013A, 380 MHz - 470 MHz	460.0000	32.7	*184.2	*162.5	*145.7	*112.4	*108.6	*138.7	*210.6	*166.3	*157.1	*175.7
		HAE6013A, 380 MHz - 470 MHz	469.9875	30.2	*181.7	*160	*143.2	*109.9	*106.1	*136.2	*208.1	*163.8	*154.6	*173.2
		HAE6016A, 450 MHz - 512 MHz	450.0125	26.2	*177.7	*156	*139.2	*105.9	*102.1	*132.2	*204.1	*159.8	*150.6	*169.2
		HAE6016A, 450 MHz - 512 MHz	469.9875	22.5	*174	*152.3	*135.5	*102.2	98.4	*128.5	*200.4	*156.1	*146.9	*165.5
		HAE6031A, 380-520MHz	450.0125	32.3	*183.8	*162.1	*145.3	*112	*108.2	*138.3	*210.2	*165.9	*156.7	*175.3
		HAE6031A, 380-520MHz	469.9875	34.2	*185.7	*164	*147.2	*113.9	*110.1	*140.2	212.1	*167.8	*158.6	*177.2
		RAE4014AR B, 445 - 470 MHz	450.0125	5.7	*157.2	*135.5	*118.7	85.4	81.6	*111.7	*183.6	*139.3	*130.1	*148.7
		RAE4014AR B, 445 - 470 MHz	460.0000	9.6	*161.1	*139.4	*122.6	89.3	85.5	*115.6	*187.5	*143.2	*134	*152.6
		RAE4014AR B, 445 - 470 MHz	469.9875	7.6	*159.1	*137.4	*120.6	87.3	83.5	*113.6	*185.5	*141.2	*132	*150.6

Notes:

* Configurations require SAR simulations.

Table 13 (b) – Combined MPE % of ISED Canada limit (Passenger, Back Seat)
 (APX 6500 UHF R2_E Field & Companion Device DVR VHF_H Field)

		DVRS Antenna (Trunk Mounted)												
		E/H Field		H Field										
		DVRS Antenna	HAD4006A, 1/4 Wave (136-144MHz)	HAD4006A, 1/4 Wave (136-144MHz)	HAD4007A, 1/4 Wave (144-150.8MHz)	HAD4007A, 1/4 Wave (144-150.8MHz)	HAD4008A, 1/4 Wave (150.8-162MHz)	HAD4008A, 1/4 Wave (150.8-162MHz)	HAD4008A, 1/4 Wave (150.8-162MHz)	HAD4009A, 1/4 Wave (162-174MHz)	HAD4009A, 1/4 Wave (162-174MHz)	HAD4009A, 1/4 Wave (162-174MHz)	HAD4009A, 1/4 Wave (162-174MHz)	
		DVR Freq (MHz)	140.0000	144.0000	144.0000	150.8000	150.8000	156.4000	162.0000	162.0000	167.0000	173.4000		
Mobile (roof Mounted)	E/H Field	Mobile Antenna (Roof Mounted)	LMR Freq (MHz)	% of Limit	85.8	72.2	57.6	74.2	58.6	*110.3	*135.2	92.2	*122.9	72.0
		E Field	HAE4003A, 450 MHz - 470 MHz	450.0125	28.8	*114.6	*101	86.4	*103	87.4	*139.1	*164	*121	*151.7
		HAE4003A, 450 MHz - 470 MHz	460.0000	28.0	*113.8	*100.2	85.6	*102.2	86.6	*138.3	*163.2	*120.2	*150.9	100.0
		HAE4003A, 450 MHz - 470 MHz	469.9875	27.7	*113.5	99.9	85.3	*101.9	86.3	*138	*162.9	*119.9	*150.6	99.7
		HAE4011A, 450 MHz - 470 MHz	450.0125	5.7	91.5	77.9	63.3	79.9	64.3	*116	*140.9	97.9	*128.6	77.7
		HAE4011A, 450 MHz - 470 MHz	460.0000	5.9	91.7	78.1	63.5	80.1	64.5	*116.2	*141.1	98.1	*128.8	77.9
		HAE4011A, 450 MHz - 470 MHz	469.9875	6.6	92.4	78.8	64.2	80.8	65.2	*116.9	*141.8	98.8	*129.5	78.6
		HAE6013A, 380 MHz - 470 MHz	450.0125	32.0	*117.8	*104.2	89.6	*106.2	90.6	*142.3	*167.2	*124.2	*154.9	*104
		HAE6013A, 380 MHz - 470 MHz	460.0000	32.7	*118.5	*104.9	90.3	*106.9	91.3	*143	*167.9	*124.9	*155.6	*104.7
		HAE6013A, 380 MHz - 470 MHz	469.9875	30.2	*116	*102.4	87.8	*104.4	88.8	*140.5	*165.4	*122.4	*153.1	*102.2
		HAE6016A, 450 MHz - 512 MHz	450.0125	26.2	*112	98.4	83.8	*100.4	84.8	*136.5	*161.4	*118.4	*149.1	98.2
		HAE6016A, 450 MHz - 512 MHz	469.9875	22.5	*108.3	94.7	80.1	96.7	81.1	*132.8	*157.7	*114.7	*145.4	94.5
		HAE6031A, 380-520MHz	450.0125	32.3	*118.1	*104.5	89.9	*106.5	90.9	*142.6	*167.5	*124.5	*155.2	*104.3
		HAE6031A, 380-520MHz	469.9875	34.2	*120	*106.4	91.8	*108.4	92.8	*144.5	*169.4	*126.4	*157.1	*106.2
		RAE4014AR B, 445 - 470 MHz	450.0125	5.7	91.5	77.9	63.3	79.9	64.3	*116	*140.9	97.9	*128.6	77.7
		RAE4014AR B, 445 - 470 MHz	460.0000	9.6	95.4	81.8	67.2	83.8	68.2	*119.9	*144.8	*101.8	*132.5	81.6
		RAE4014AR B, 445 - 470 MHz	469.9875	7.6	93.4	79.8	65.2	81.8	66.2	*117.9	*142.8	99.8	*130.5	79.6

Notes:
 * Configurations require SAR simulations.

18.0 Conclusion

The assessment for APX 6500 UHF R2 and Companion device (DVR VHF) were performed as indicates in section 17.1 with an output power range listed in Table 6. The maximum allowable output power is equal to the upper limit of the final test factory transmit power specification listed in Table 6. The highest power density results for APX 6500 UHF R2 and Companion device (DVR VHF) scaled to maximum allowable power output are indicated in Table 14 (FCC US) and Table 15 (ISED Canada) for internal/passenger of to the vehicle, and external/bystander to the vehicle.

These MPE results herein demonstrate compliance to FCC Occupation/Controlled Exposure limit. However, FCC rules required compliance for Passengers and Bystanders to FCC General Population / Uncontrolled limits. Maximum Combined MPE percentage in bold exceed General Population / Uncontrolled limit.

Table 14: Maximum MPE RF Exposure Summary (FCC US)

APX 6500 UHF R2 band (FCC ID: AZ492FT4967)					
Roof Mounted Antenna					
Equipment Class	Frequency Band (MHz)	Passenger		Bystander	
		Power Density (mw/cm²)	Highest % of Limit	Power Density (mw/cm²)	Highest % of Limit
TNB	LMR (450 - 512)	0.054	17.3%	0.044	14.7%
DTS	WLAN (2412 - 2462)	0.018	1.77%	0.018	1.77%
NII	WLAN (5180 - 5825)	0.007	0.67%	0.007	0.67%
DSS	BT (2402 - 2480)	0.005	0.5%	0.005	0.5%
Companion Mobile DVR VHF (FCC ID: LO6-DVRSVHF)					
Trunk Mounted Antenna					
Equipment Class	Frequency Band (MHz)	Passenger		Bystander	
		Power Density (mw/cm²)	Highest % of Limit	Power Density (mw/cm²)	Highest % of Limit
TNB	150.8-173.4	0.230	114.8%	0.042	21.0%
Simultaneous Transmissions					
Simultaneous Transmissions conditions	Passenger		Bystander		
	Highest Combine % of limit		Highest Combine % of limit		
APX 6500 (UHF R2) + WLAN + DVR VHF		133.87%		37.47%	

*Result in bold required SAR Simulation.

Table 15 – Maximum MPE RF Exposure Summary (ISED Canada)

APX 6500 UHF R2 band (ISED ID: 109U-92FT4967)					
Roof Mounted Antenna					
Equipment Class	Frequency Band (MHz)	Passenger		Bystander	
		Power Density (mw/cm²)	Highest % of Limit	Power Density (mw/cm²)	Highest % of Limit
TNB	LMR (450 - 470)	0.054	31.0%	0.044	26.0%
DTS	WLAN (2412 - 2462)	0.018	3.3%	0.018	3.3%
NII	WLAN (5180 - 5825)	0.007	0.75%	0.007	0.75%
DSS	BT (2402 - 2480)	0.005	0.93%	0.005	0.93%
Companion Mobile DVR VHF (ISED ID: 2098-DVRSVHF)					
Trunk Mounted Antenna					
Equipment Class	Frequency Band (MHz)	Passenger		Bystander	
		Power Density (mw/cm²)	Highest % of Limit	Power Density (mw/cm²)	Highest % of Limit
TNB	138 - 174	0.230	177.9%	0.042	32.50%
Simultaneous Transmissions					
Simultaneous Transmissions conditions	Passenger		Bystander		
	Highest Combine % of limit		Highest Combine % of limit		
APX 6500 (UHF R2) + WLAN + DVR VHF		212.2%		61.80%	

*Result in bold required SAR Simulation.

Although MPE is a convenient method of demonstrating RF Exposure requirements, SAR is recognized as the “basic restriction”. For those configurations indicate with “*” in Table 12, Table 13, compliance to the General Population / Uncontrolled SAR 1g limit of 1.6 W/kg is demonstrated through SAR computational analysis.

The computational results show that this APX 6500 UHF R2 device, when used with Companion device DVR VHF and specified antennas, exhibit a maximum combine SAR are indicated in the Table 16.

Table 16

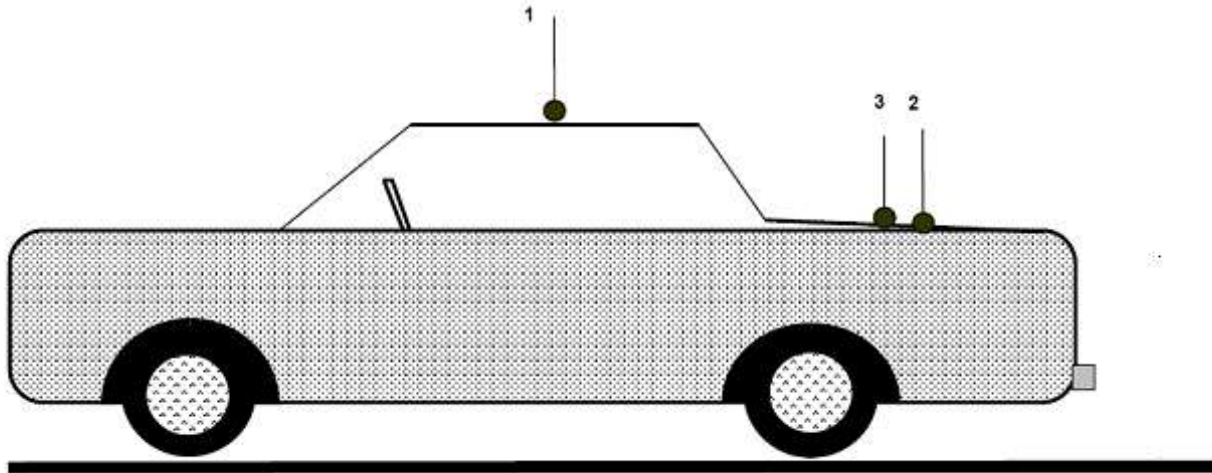
	Exposure Conditions	Combined SAR (W/kg)	
		1-g	WB
FCC US	Passenger Back	0.82	0.027
ISED Canada	Passenger Back	0.82	0.027

19.0 User Instructions Considerations

In order to facilitate the requirements for occupational exposure limits, the Safety Manual for this radio requires the radio operator to maintain 90 cm in all directions between the vehicle and external persons while transmitting.

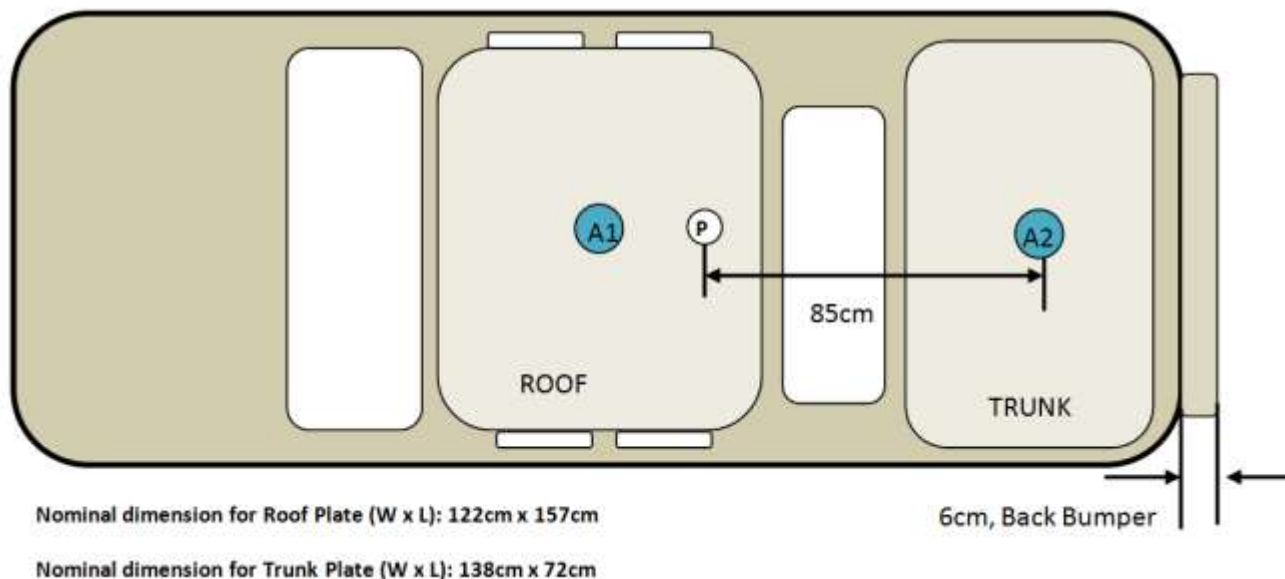
Appendix A - Antenna Locations, Test Distances, and Cable Losses

Antenna locations



1. Roof (20cm from center)
2. Trunk (85cm from back of the back seat)
3. Trunk (center)

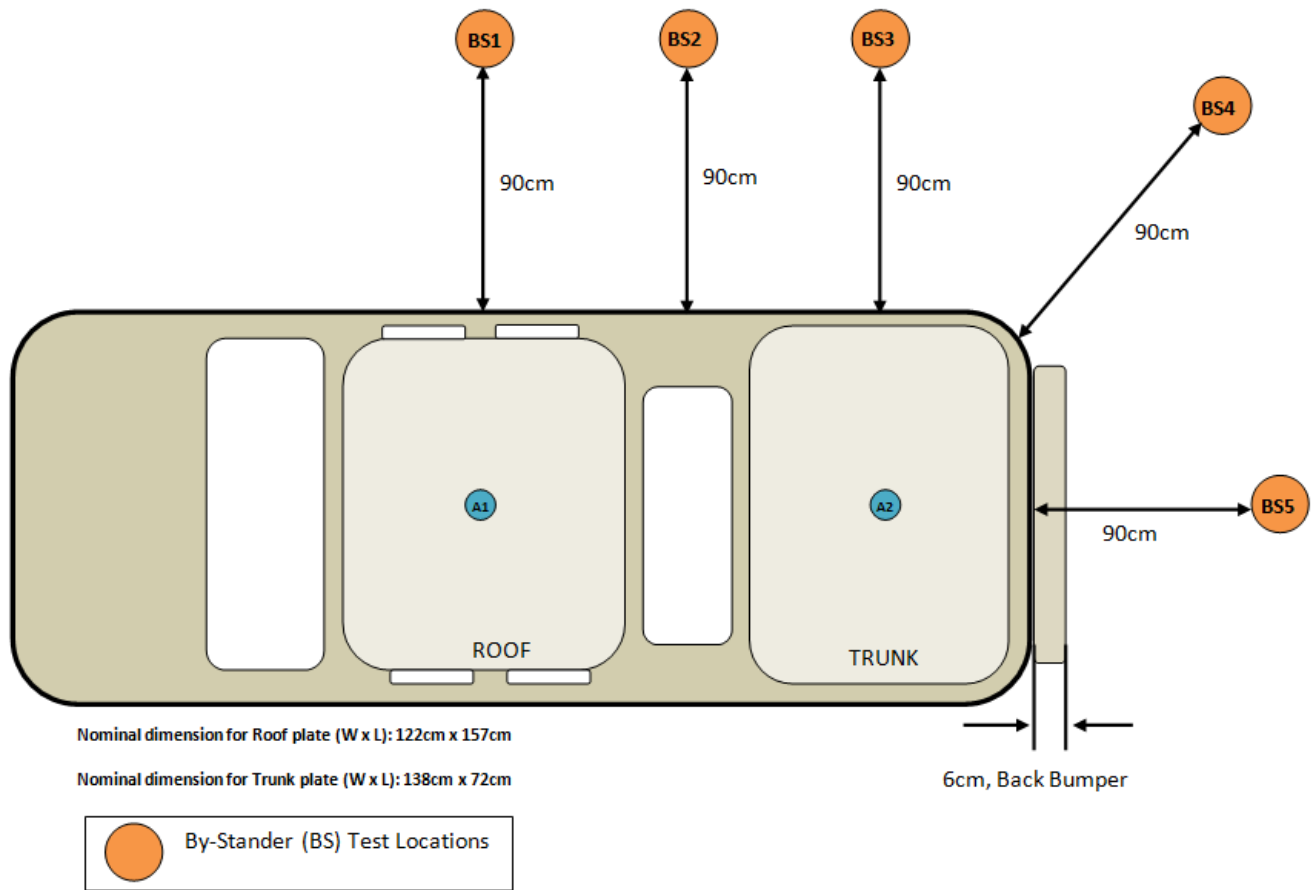
Passenger Antenna mounting



Notes:

1. Antenna location A1: APX mobile radio roof antenna mounting locations for passenger back and front testing.
2. Antenna location A2: DVR trunk antenna mounting locations for passenger back and front testing
3. Total distance between trunk mount antenna and rear passenger is 85cm

Bystander Antenna mounting



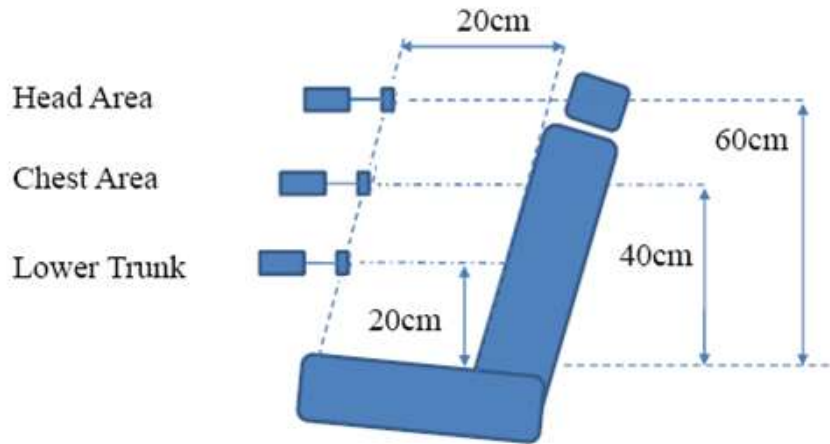
Note:

1. Antenna location A1: APX mobile radio roof antenna mounting locations for passenger and bystander testing
2. Antenna location A2: DVR trunk antenna mounting locations for bystander testing
3. Bystander location BS2: Center point of the bystander test location BS1 and test location BS3
4. Bystander location BS (1-5): 90cm away from the vehicle body. Apply for both roof and trunk testing

Seat scan areas (Applicable to both front and back seats)

Meter - Probe

 Probe diameter is 5.5cm



Cable Losses

Test Cable

Teflon RG58A/U Loss Per 100 Feet

160 MHz - 5 dB

450 MHz - 9 dB

1 GHz - 13.8 dB

Customer Cable

RG-58A/U Loss Per 100 Feet (For LMR)

136 MHz – 5.5 dB

450 MHz – 9.6 dB

900 MHz – 13.9 dB

PFP 240 Loss Per 100 Feet (For BT/WLAN)

2500 MHz - 12.9 dB

Appendix B - Probe Calibration Certificates



Cert I.D.: 134651



1301 Arrow Point Drive
Cedar Park, Texas 78613
(512) 531-6400



Certificate of Calibration Conformance

Page 1 of 3

The instrument identified below has been individually calibrated in compliance with the following standard(s):

IEEE 1309 - 2013, Institute of Electrical and Electronics Engineers, Standard for Calibration of Electromagnetic Field Sensors and Probes, Excluding Antennas from 9 kHz to 40 GHz

Environment: Laboratory MTE is maintained in a temperature controlled environment with ambient conditions from 18 to 28 C, relative humidity less than 90%. The instrument under test has been calibrated in a suitable environment using an EMCO TEM Cell 5101C, GTEM 5305/5402 and an RF Shielded EMC Chamber which is conducive to maintaining accurate and reliable measurement quality.

Manufacturer:	ETS-Lindgren	Operating Range:	100kHz - 5GHz
Model Number:	E100	Instrument Type:	Isotropic Probe > 1 GHz
Serial Number/ ID:	00224511	Date Code:	
Tracking Number:	S 000048638	Alternate ID:	MS10428
Date Completed:	06-May-20	Customer:	Motorola Solutions Malaysia Sdn Bhd - Plot 2A, Medan Bayan Lepas, Mukim 12 S.W.D. - Bayan Lepas - Penang 11900 - Malaysia
Test Type:	Standard Field, Field Strength		

Calibration Uncertainty: Std Field Method 100kHz - 6 GHz, +/-0.64 dB, Linearity +/- 0.95 dB, Isotropy +/- 0.86 k=2, (95% Confidence Level)

Test Remarks: Probe received in tolerance thus before and after data are the same. Calibration performed with customer's HI-2200 an 00068887.

Calibration Traceability: All Measuring and Test Equipment (MTE) identified below are traceable to the SI units through the National Institute for Standards and Technology (NIST) or other recognized National Metrology Institute. Calibration Laboratory and Quality System controls are compliant with ISO/IEC 17025-2017 and ANSI/NCCL Z540-1-1994.

Standards and Equipment Used:

Make / Model / Name / S/N / Calibration Date				
HP 8648C	Signal Generator	3836U02236	04-May-21	
Keysight E9304A	Power Sensor	MY56100039	16-Apr-21	
Hewlett Packard E4422B	Signal Generator	US40050591	09-Aug-20	
Agilent E9304A	Power Sensor	MY41499013	16-Apr-21	
Agilent E9304A	Power Sensor	MY41499012	16-Apr-21	
Rohde & Schwarz NRP-Z91	Power Sensor	100733	06-Mar-21	
Agilent E4419B	Power Meter	MY40510693	08-Aug-20	
Agilent N1913A	Power Meter	MY60000415	16-Mar-21	
Marconi 2024	Signal Generator	112343043	04-May-21	
Rohde & Schwarz NRVD	Power Meter	828110/019	09-Jan-21	
Hewlett Packard E4419B	Power Meter	US39250717	14-Aug-20	
Keysight E9304A	Power Sensor	MY56100005	16-Apr-21	
Rohde & Schwarz NRV-Z55	Thermal Power Sensor	100352	20-Sep-20	
Rohde & Schwarz NRV-Z55	Thermal Power Sensor	100037	22-Oct-20	
Rohde & Schwarz NRP-Z91	Power Sensor	100734	01-Aug-20	
Keysight N5183B	MXG Analog Signal Gener	MY53270789	08-Feb-21	

Condition of Instrument

Upon Receipt:
In Tolerance to Internal Quality Standards

On Release:
In Tolerance to Internal Quality Standards

Julio Aquino
Calibration Completed By
Julio A. Aquino, Calibration Technician

George Cisneros
Attested and Issued on 06-May-20
George Cisneros, Calibration Supervisor

This document provides traceability of measurements to recognized national standards using controlled processes at the ETS-Lindgren Calibration Laboratory. Uncertainties listed are derived from the methods described by NIST Tech Note 1297. This certificate and report may not be reproduced, except in full, without the written approval of ETS-Lindgren Calibration Laboratory in accordance with ISO/IEC 17025-2017 and ANSI/NCCL Z540-1-1994. The results in this document relate only to the item(s) listed and should not be considered representative of a population unless otherwise noted. QAF 1127 (03/11)

CALIBRATION REPORT

Electric Field Sensor

<i>Model</i>	<i>S/N</i>
E100	00224511
HI-2200	00086887

Date: 06 May 2020

- New Instrument
- Other
- Out of Tolerance
- Within Tolerance

Frequency Response

<i>Frequency Response</i>	<i>MHz</i>	<i>Nominal Field</i> <i>V/m</i>	<i>Cal Factor*</i> <i>(Eapplied/Eindicated)</i>	<i>Deviation</i> <i>dB</i>
1	0.1	20	1.45	-3.22
2	0.5	20	1.12	-1.01
3	1	20	1.05	-0.43
4	3	20	1.00	-0.03
5	15	20	1.00	0.00
6	27.12	20	1.01	-0.05
7	30	20	1.00	-0.04
8	75	20	1.01	-0.07
9	100	20	1.01	-0.11
10	150	20	1.01	-0.10
11	200	20	1.00	-0.03
12	250	20	1.00	-0.04
13	300	20	0.99	0.08
14	400	20	1.01	-0.05
15	500	20	1.05	-0.46
16	600	20	1.05	-0.43
17	700	20	1.08	-0.65
18	800	20	1.10	-0.81
19	900	20	1.05	-0.39
20	1000	20	1.00	0.00
21	2000	20	1.04	-0.32
22	2450	20	1.04	-0.38
23	3000	20	0.96	0.39
24	3500	20	0.90	0.91
25	4000	20	0.99	0.10
26	5000	20	1.01	-0.08
27	5500	20	1.25	-1.93
28	6000	20	1.33	-2.47

* Corrected electric field values (V/m) can be obtained by multiplying the Cal Factor with the indicated E field readings.

Linearity

maximum linearity deviation is 0.42 dB
(measurements taken from 0.3 V/m to 800 V/m at 27.12 MHz)

Test Conditions

Calibration performed at ambient room temperature: 23 ±3°C



PROBE ROTATIONAL RESPONSE

Model E100
S/N 00224511
Report S00048638
Date Date of Calibration 06 May 2020
Time 08:45:13 AM
Isotropy * + 0.308 dB/ -0.308 dB

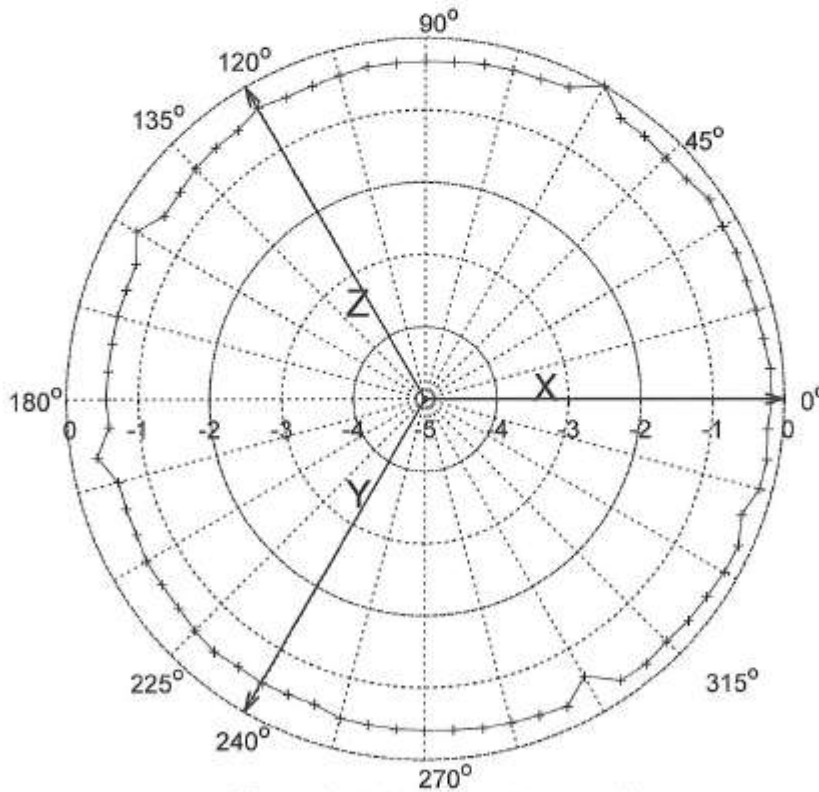


Figure 1: Probe Isotropic Response Chart.

Isotropic response is measured in a 20 V/m field at 400 MHz

*Isotropy is the maximum deviation from the geometric mean as defined by IEEE 1309-2013.



Certificate of Calibration

ISO/IEC 17025:2017 and ANSI/NC SL Z540.1-1994

Certificate Number 210607-142845-cd4f83



Model Number H200; HI-2200
Manufacturer ETS - Lindgren
Description Field Probe
Serial Number 00206937; 00086316
Customer Asset No. MSI0208; MSI0206

Customer
 Motorola Solutions Malaysia Sdn Bhd
 Plot 2A Medan Bayan Lepas Technoplex
 Industrial Park Mukim 12 SWD
 Bayan Lepas, Penang 11900
 MALAYSIA

Date of Calibration 06/21/2021
Temperature 23°C
Humidity 48% RH

Location of Calibration
 Keysight Technologies Inc.
 1346 Yellowwood Road
 Kimballton, IA 51543
 United States

This certifies that the equipment has been calibrated using applicable Keysight Technologies procedures and in compliance with ISO/IEC 17025:2017 and ANSI/NC SL Z540.1-1994 (R2002). The quality management system is registered to ISO 9001:2015.

Calibration Standard(s)	Calibration Method(s)	Calibration Procedure(s)
IEEE Std 1309-2013 Section 4.1 IEEE Std 1309-2013 Section 5 IEEE Std 1309-2013 Section 8.2 IEEE Std 1309-2013 Section Annex A IEEE Std 1309-2013 Section A.3	Substitution	287330

Calibration Software
 N/A

As Received Conditions
 The measured values of the equipment were observed in specification at the points tested.

Action Taken
 No action was taken.

As Completed Conditions
 The measured values of the equipment were observed in specification at the points tested.

Calibration Due
 Based on the customer's request, the next calibration is due on 21 Jun 2022

Remarks or Special Requirements
 Client declined isotropic response testing. A probe position document is included with this certificate. This calibration is valid only for the alignment/mounting position specified in this report.

This calibration report shall not be reproduced, except in full. The documented results relate to the equipment calibrated only.

The test limits stated in the report correspond to the published specifications of the equipment, at the points tested.

Keysight Technologies, Inc.
 1346 Yellowwood Road
 Kimballton, IA 51543
 United States


 Brandt Langer Iowa Service Center Manager

Issue Date 28 Jun 2021

Page 1 of 5



Certificate of Calibration
 ISO/IEC 17025:2017 and ANSI/NCSL Z540.1-1994
 Certificate Number 210607-142845-cd4f83



Traceability Information

Technician Name Dennis Bissen

Measurements are traceable to the International System of Units (SI) via national metrology institutes (www.keysight.com/find/NMI) that are signatories to the CIPM Mutual Recognition Arrangement.

Calibration Equipment Used

Manufacturer	Model Number	Model Description	Equipment ID	Cal Due Date	Certificate Number
AR	00W1000B	Amp	11546	NA	
EMCO	5302	G/TEM	10223	NA	2003121915
Hewlett-Packard	8648B	Signal Generator	10272	11/12/2021	201111-094600-5d28cd
IFI	CC 104	TEM	011521	NA	
AR	FI7000	Interface	11015	NA	700516
AR	FL7006	Isotropic Probe	10946	07/17/2021	2018030428-1
Holaday	HI-4422	Isotropic Probe	10022	10/06/2022	2020070063-1

Compliance with Specification

Unless otherwise noted, the calibration results are reported without factoring in the effect of uncertainty on the assessment of compliance/specification.

In Specification/Out of Specification Explanation

The standard criteria to determine the "In Specification/Out of Specification" status is based on one or more of the following conditions, as requested by the client:

1. If the manufacturer has a specified specification for the item being calibrated, then the calibration values are compared to this specification, and the values must fall within the manufacturer's specification. The specification may be obtained from the manufacturer's web site, data sheets, equipment manuals, etc.
2. Where specifications are called out in a published standard, the calibration results are compared to this specification, and the measured values must fall within the standard's specification.
3. In cases where the manufacturer, standard, or client does not identify any relevant specifications, applicable calibration results are compared to historical data with a +/- 3 dB specification.

Uncertainty of Measurement

The uncertainty evaluation has been performed in accordance with ISO/IEC Guide 98-3:2008(GUM). The reported expanded uncertainty of measurement is stated as the standard uncertainty of measurement multiplied by the coverage factor k such that the coverage probability corresponds to approximately 95%. This probability corresponds to a coverage factor of k=1 for a normal distribution.

Parameter	Range	MU (+/-)
RF Isotropic E-Field Probes - GTEM Cell - Frequency Response	10 kHz to 1000 MHz	0.97 dB
RF Isotropic E-Field Probes - TEM Cell - Linearity	5 kHz to 800 MHz	0.91 dB

2021_Frequency Response.txt

Date of Calibration: 21-June-2021
Date Printed: Monday, June 21, 2021
Customer Name: Motorola Solutions Malaysia Sdn Bhd
Probe Manufacturer: ETS - Lindgren
Probe Model: H200; HI-2200
Probe Serial No.: 00206937; 00086316
Temperature (Deg C): 23
Humidity (%): 48
Notes:
CAL CERT #: 210607-142845-cd4f83

Correction Factors

Freq in MHz	Mult	dB
5	1.87	5.45
6	1.80	5.10
7	1.77	4.98
8	1.76	4.90
9	1.75	4.88
10	1.76	4.89
13.6	1.75	4.87
15	1.75	4.86
20	1.72	4.72
27.1	1.66	4.39
30	1.62	4.18
40	1.48	3.42
50	1.34	2.53
60	1.22	1.70
70	1.11	0.91
75	1.06	0.51
80	1.01	0.05
90	0.91	-0.78
100	0.87	-1.23
150	0.76	-2.35
175	0.77	-2.30
200	0.80	-1.93
250	0.74	-2.62
300	0.76	-2.40

2021_Linearity.txt

Date of Calibration: 21-June-2021
 Date Printed: Monday, June 21, 2021
 Customer Name: Motorola Solutions Malaysia Sdn Bhd
 Probe Manufacturer: ETS - Lindgren
 Probe Model: H200; HI-2200
 Probe Serial No.: 00206937; 00086316
 Temperature (Deg C): 23
 Humidity (%): 48
 Notes:
 CAL CERT #: 210607-142845-cd4f83

Linearity

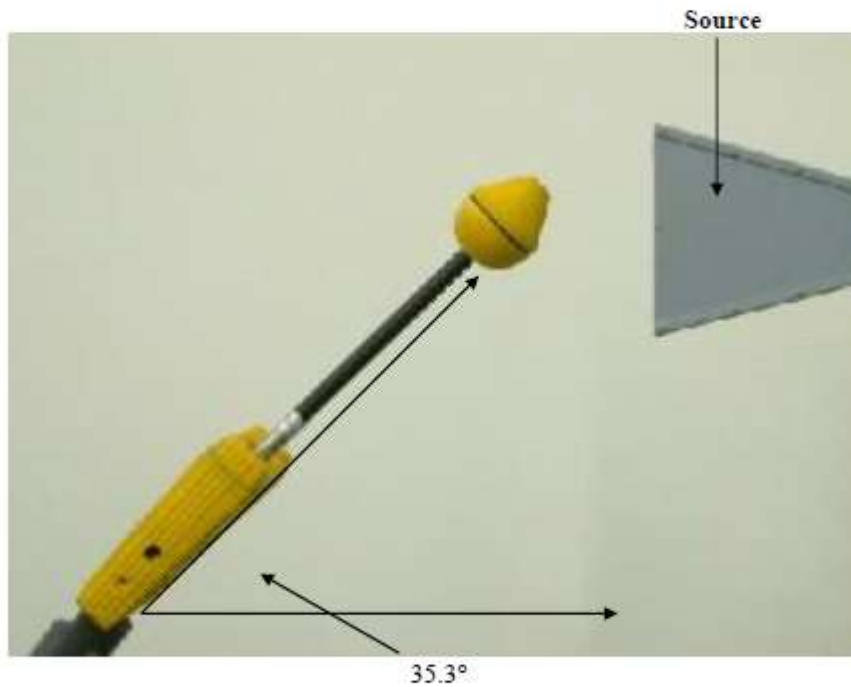
Freq MHz	Applied Field A/m	Indicated Field A/m	Max Dev dB
27.12	0.04	0.042	-0.43
27.12	0.05	0.056	-0.48
27.12	0.08	0.086	-0.54
27.12	0.13	0.147	-0.85
27.12	0.17	0.189	-0.81
27.12	0.27	0.296	-0.87
27.12	0.33	0.364	-0.76
27.12	0.54	0.584	-0.74
27.12	0.67	0.728	-0.77
27.12	0.80	0.876	-0.81
27.12	0.93	1.019	-0.82
27.12	1.07	1.178	-0.86
27.12	1.20	1.331	-0.92
27.12	1.33	1.498	-1.05
27.12	1.46	1.666	-1.16
27.12	1.60	1.851	-1.27

Probe Alignment/Mounting Position

The alignment/mounting position of the probe is critical. The correction factors given with calibration are valid only for the indicated alignment/mounting position. Deviation from indicated alignment/mounting position of calibration can produce errors in excess of 6 dB.

The probe was positioned with the probe wand at a 35.3° angle position with the probe head centered in front of the field source. The picture below is for probe positioning reference only. The equipment shown does not necessarily indicate the equipment used for calibration.

Side View





Certificate of Calibration

ISO/IEC 17025:2017 and ANSI/NCSL Z540.1-1994
Certificate Number 210607-143843-bf7150



Model Number E100; HI-2200
Manufacturer ETS - Lindgren
Description Field Probe
Serial Number 00206767; 00086316
Customer Asset No. N/A; MSI0206

Customer
Motorola Solutions Malaysia Sdn Bhd
Plot 2A Medan Bayan Lepas Technoplex
Industrial Park Mukim 12 SWD
Bayan Lepas, Penang 11900
MALAYSIA

Date of Calibration 06/21/2021
Temperature 23°C
Humidity 48% RH

Location of Calibration
Keysight Technologies Inc.
1346 Yellowwood Road
Kimballton, IA 51543
United States

This certifies that the equipment has been calibrated using applicable Keysight Technologies procedures and in compliance with ISO/IEC 17025:2017 and ANSI/NCSL Z540.1-1994 (R2002). The quality management system is registered to ISO 9001:2015.

Calibration Standard(s)	Calibration Method(s)	Calibration Procedure(s)
IEEE Std 1309-2013 Section 4.1 IEEE Std 1309-2013 Section 5 IEEE Std 1309-2013 Section 8.2 IEEE Std 1309-2013 Section Annex A IEEE Std 1309-2013 Section A.3	Calculated, Substitution	287330

Calibration Software
Probe Calculated Method 3.14

As Received Conditions
The measured values of the equipment were observed in specification at the points tested.

Action Taken
No action was taken.

As Completed Conditions
The measured values of the equipment were observed in specification at the points tested.

Calibration Due
Based on the customer's request, the next calibration is due on 21 Jun 2022

Remarks or Special Requirements
A probe position document is included with this certificate. This calibration is valid only for the alignment/mounting position specified in this report.

This calibration report shall not be reproduced, except in full. The documented results relate to the equipment calibrated only.

The test limits stated in the report correspond to the published specifications of the equipment, at the points tested.

Keysight Technologies, Inc.
1346 Yellowwood Road
Kimballton, IA 51543
United States


Brandt Langer Iowa Service Center Manager

Issue Date 28 Jun 2021

Page 1 of 7



Certificate of Calibration

ISO/IEC 17025:2017 and ANSI/NCSL Z540.1-1994
Certificate Number 210607-143843-bf7150



Traceability Information

Technician Name Dennis Bissen

Measurements are traceable to the International System of Units (SI) via national metrology institutes (www.keysight.com/find/NMI) that are signatories to the CIPM Mutual Recognition Arrangement.

Calibration Equipment Used

Manufacturer	Model Number	Model Description	Equipment ID	Cal Due Date	Certificate Number
AR	00W1000B	Amp	11546	NA	
AR	15T4G18	Amp	10888	NA	NA
EMCO	5302	G/TEM	10223	NA	2003121915
AR	75A250	Amp	10560	NA	N/A
Hewlett-Packard	83640L	Signal Generator	10039	11/18/2021	201111-115732-9e01be
Hewlett-Packard	8487A	Power Sensor	10577	12/09/2021	201207-122604-3951e9
Hewlett-Packard	8648B	Signal Generator	10272	11/12/2021	201111-094600-5d28cd
Schwarzbeck Mess-Elektronik	BBHA 9120D	Horn	10194	11/17/2022	201111-115541-0b3b6c
IFI	CC 104	TEM	011521	NA	
AR	DC7420	Directional Coupler	011173	10/01/2021	201001-095800-f9bab9
Agilent Technologies, Inc.	E4419B	EPM Series Power Meter	10458	10/06/2021	201001-100416-a7b5fd
AR	FI7000	Interface	11015	NA	700516
AR	FL7006	Isotropic Probe	10946	07/17/2021	2018030428-1
Holiday	HI-4422	Isotropic Probe	10022	10/06/2022	2020070063-1

Compliance with Specification

Unless otherwise noted, the calibration results are reported without factoring in the effect of uncertainty on the assessment of compliance/specification.

In Specification/Out of Specification Explanation

The standard criteria to determine the "In Specification/Out of Specification" status is based on one or more of the following conditions, as requested by the client:

1. If the manufacturer has a specified specification for the item being calibrated, then the calibration values are compared to this specification, and the values must fall within the manufacturer's specification. The specification may be obtained from the manufacturer's web site, data sheets, equipment manuals, etc.
2. Where specifications are called out in a published standard, the calibration results are compared to this specification, and the measured values must fall within the standard's specification.
3. In cases where the manufacturer, standard, or client does not identify any relevant specifications, applicable calibration results are compared to historical data with a +/- 3 dB specification.

Uncertainty of Measurement

The uncertainty evaluation has been performed in accordance with ISO/IEC Guide 98-3:2008(GUM). The reported expanded uncertainty of measurement is stated as the standard uncertainty of measurement multiplied by the coverage factor k such that the coverage probability corresponds to approximately 95%. This probability corresponds to a coverage factor of k=2 for a normal distribution.



Certificate of Calibration

ISO/IEC 17025:2017 and ANSI/NCSL Z540.1-1994

Certificate Number 210607-143843-bf7150



Parameter	Range	MU (+/-)
RF Isotropic E-Field Probes - GTEM Cell - Isotropic	10 kHz to 1000 MHz	0.97 dB
RF Isotropic E-Field Probes - Anechoic Chamber - Frequency Response	(450 to 18,000) MHz	1.1 dB
RF Isotropic E-Field Probes - GTEM Cell - Frequency Response	10 kHz to 1000 MHz	0.97 dB
RF Isotropic E-Field Probes - TEM Cell - Linearity	5 kHz to 800 MHz	0.91 dB

2021_Frequency Response.txt

Date of Calibration: 21-June-2021
 Date Printed: Monday, June 21, 2021
 Customer Name: Motorola Solutions Malaysia Sdn Bhd
 Probe Manufacturer: ETS - Lindgren
 Probe Model: E100; HI-2200
 Probe Serial No.: 00206767; 00086316
 Temperature (Deg C): 23
 Humidity (%): 48
 Notes:
 CAL CERT #: 210607-143843-bf7150

Frequency in MHz	Correction Factors	
	Multiplier	20V/m dB
0.1	1.47	3.34
0.5	1.27	2.11
1	1.17	1.40
3	1.07	0.62
15	1.07	0.63
27.12	1.09	0.72
30	1.09	0.77
75	1.13	1.09
100	1.14	1.12
150	1.15	1.25
200	1.17	1.37
250	1.19	1.48
300	1.21	1.63
400	0.93	-0.59
500	1.16	1.27
600	1.15	1.22
700	1.26	2.03
800	0.88	-1.08
900	1.08	0.65
1000	0.92	-0.70
2000	0.92	-0.70
2450	0.87	-1.26
3000	0.79	-2.06
3500	0.87	-1.17
4000	0.88	-1.10
5000	0.96	-0.36
5500	0.98	-0.21
6000	1.12	1.01

2021_Isotropic Response.txt

Date of Calibration: 21-June-2021
Date Printed: Monday, June 21, 2021
Customer Name: Motorola Solutions Malaysia Sdn Bhd
Probe Manufacturer: ETS - Lindgren
Probe Model: E100; HI-2200
Probe Serial No.: 00206767; 00086316
Temperature (Deg C): 23
Humidity (%): 48
Notes:
CAL CERT # 210607-143843-bf7150

Isotropic Response at 400 MHz at 20V/m

Deg	Response dB
0	0.00
45	-0.04
90	-0.04
135	-0.09
180	-0.04
225	-0.13
270	-0.17
315	-0.17
360	-0.09

Max Dev. 0.17

2021_Linearity.txt

Date of Calibration: 21-June-2021
Date Printed: Monday, June 21, 2021
Customer Name: Motorola Solutions Malaysia Sdn Bhd
Probe Manufacturer: ETS - Lindgren
Probe Model: E100; HI-2200
Probe Serial No.: 00206767; 00086316
Temperature (Deg C): 23
Humidity (%): 48
Notes:
CAL CERT #: 210607-143843-bf7150

Linearity

Freq	Applied Field	Indicated Field	Max Dev
MHz	V/m	V/m	dB
27.12	0.51	0.62	-1.70
27.12	1.01	1.15	-1.13
27.12	2.10	2.67	-2.09
27.12	4.02	4.60	-1.17
27.12	8.08	9.15	-1.08
27.12	15.08	15.80	-0.41
27.12	20.00	20.90	-0.38
27.12	30.50	31.80	-0.36
27.12	50.30	52.60	-0.39
27.12	65.00	68.40	-0.44
27.12	101.10	106.00	-0.41
27.12	125.90	132.00	-0.41
27.12	202.30	213.00	-0.45
27.12	251.30	265.00	-0.46
27.12	301.00	318.00	-0.48
27.12	350.00	368.00	-0.44
27.12	402.60	425.00	-0.47
27.12	451.70	481.00	-0.55
27.12	500.90	540.00	-0.65
27.12	550.10	601.00	-0.77
27.12	603.50	672.00	-0.93

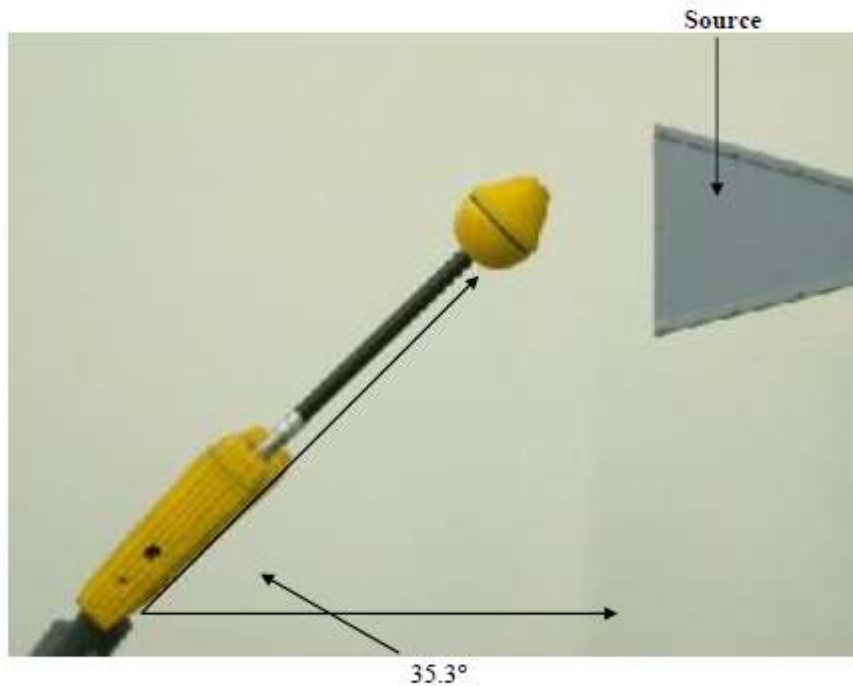
W&G_critical_angle.doc

Probe Alignment/Mounting Position

The alignment/mounting position of the probe is critical. The correction factors given with calibration are valid only for the indicated alignment/mounting position. Deviation from indicated alignment/mounting position of calibration can produce errors in excess of 6 dB.

The probe was positioned with the probe wand at a 35.3° angle position with the probe head centered in front of the field source. The picture below is for probe positioning reference only. The equipment shown does not necessarily indicate the equipment used for calibration.

Side View





Certificate of Calibration

ISO/IEC 17025:2017 and ANSI/NC SL Z540.1-1994

Certificate Number 210607-142845-cd4f83



Model Number H200; HI-2200
Manufacturer ETS - Lindgren
Description Field Probe
Serial Number 00206937; 00086316
Customer Asset No. MSI0208; MSI0206

Customer
 Motorola Solutions Malaysia Sdn Bhd
 Plot 2A Medan Bayan Lepas Technoplex
 Industrial Park Mukim 12 SWD
 Bayan Lepas, Penang 11900
 MALAYSIA

Date of Calibration 06/21/2021
Temperature 23°C
Humidity 48% RH

Location of Calibration
 Keysight Technologies Inc.
 1346 Yellowwood Road
 Kimballton, IA 51543
 United States

This certifies that the equipment has been calibrated using applicable Keysight Technologies procedures and in compliance with ISO/IEC 17025:2017 and ANSI/NC SL Z540.1-1994 (R2002). The quality management system is registered to ISO 9001:2015.

Calibration Standard(s)	Calibration Method(s)	Calibration Procedure(s)
IEEE Std 1309-2013 Section 4.1 IEEE Std 1309-2013 Section 5 IEEE Std 1309-2013 Section 8.2 IEEE Std 1309-2013 Section Annex A IEEE Std 1309-2013 Section A.3	Substitution	287330

Calibration Software
 N/A

As Received Conditions
 The measured values of the equipment were observed in specification at the points tested.

Action Taken
 No action was taken.

As Completed Conditions
 The measured values of the equipment were observed in specification at the points tested.

Calibration Due
 Based on the customer's request, the next calibration is due on 21 Jun 2022

Remarks or Special Requirements
 Client declined isotropic response testing. A probe position document is included with this certificate. This calibration is valid only for the alignment/mounting position specified in this report.

This calibration report shall not be reproduced, except in full. The documented results relate to the equipment calibrated only.

The test limits stated in the report correspond to the published specifications of the equipment, at the points tested.

Keysight Technologies, Inc.
 1346 Yellowwood Road
 Kimballton, IA 51543
 United States


 Brandt Langer Iowa Service Center Manager



Certificate of Calibration

ISO/IEC 17025:2017 and ANSI/NCSL Z540.1-1994
 Certificate Number 210607-142845-cd4f83



Traceability Information

Technician Name Dennis Bissen

Measurements are traceable to the International System of Units (SI) via national metrology institutes (www.keysight.com/find/NMI) that are signatories to the CIPM Mutual Recognition Arrangement.

Calibration Equipment Used

Manufacturer	Model Number	Model Description	Equipment ID	Cal Due Date	Certificate Number
AR	00W1000B	Amp	11546	NA	
EMCO	5302	G/TEM	10223	NA	2003121915
Hewlett-Packard	8648B	Signal Generator	10272	11/12/2021	201111-094600-5d28cd
IFI	CC 104	TEM	011521	NA	
AR	FI7000	Interface	11015	NA	700516
AR	FL7006	Isotropic Probe	10946	07/17/2021	2018030428-1
Holaday	HI-4422	Isotropic Probe	10022	10/06/2022	2020070063-1

Compliance with Specification

Unless otherwise noted, the calibration results are reported without factoring in the effect of uncertainty on the assessment of compliance/specification.

In Specification/Out of Specification Explanation

The standard criteria to determine the "In Specification/Out of Specification" status is based on one or more of the following conditions, as requested by the client:

1. If the manufacturer has a specified specification for the item being calibrated, then the calibration values are compared to this specification, and the values must fall within the manufacturer's specification. The specification may be obtained from the manufacturer's web site, data sheets, equipment manuals, etc.
2. Where specifications are called out in a published standard, the calibration results are compared to this specification, and the measured values must fall within the standard's specification.
3. In cases where the manufacturer, standard, or client does not identify any relevant specifications, applicable calibration results are compared to historical data with a +/- 3 dB specification.

Uncertainty of Measurement

The uncertainty evaluation has been performed in accordance with ISO/IEC Guide 98-3:2008(GUM). The reported expanded uncertainty of measurement is stated as the standard uncertainty of measurement multiplied by the coverage factor k such that the coverage probability corresponds to approximately 95%. This probability corresponds to a coverage factor of k=2 for a normal distribution.

Parameter	Range	MU (+/-)
RF Isotropic E-Field Probes - GTEM Cell - Frequency Response	10 kHz to 1000 MHz	0.97 dB
RF Isotropic E-Field Probes - TEM Cell - Linearity	5 kHz to 800 MHz	0.91 dB

2021_Frequency Response.txt

Date of Calibration: 21-June-2021
Date Printed: Monday, June 21, 2021
Customer Name: Motorola Solutions Malaysia Sdn Bhd
Probe Manufacturer: ETS - Lindgren
Probe Model: H200; HI-2200
Probe Serial No.: 00206937; 00086316
Temperature (Deg C): 23
Humidity (%): 48
Notes:
CAL CERT #: 210607-142845-cd4f83

Correction Factors

Freq in MHz	Mult	dB
5	1.87	5.45
6	1.80	5.10
7	1.77	4.98
8	1.76	4.90
9	1.75	4.88
10	1.76	4.89
13.6	1.75	4.87
15	1.75	4.86
20	1.72	4.72
27.1	1.66	4.39
30	1.62	4.18
40	1.48	3.42
50	1.34	2.53
60	1.22	1.70
70	1.11	0.91
75	1.06	0.51
80	1.01	0.05
90	0.91	-0.78
100	0.87	-1.23
150	0.76	-2.35
175	0.77	-2.30
200	0.80	-1.93
250	0.74	-2.62
300	0.76	-2.40

2021_Linearity.txt

Date of Calibration: 21-June-2021
Date Printed: Monday, June 21, 2021
Customer Name: Motorola Solutions Malaysia Sdn Bhd
Probe Manufacturer: ETS - Lindgren
Probe Model: H200; HI-2200
Probe Serial No.: 00206937; 00086316
Temperature (Deg C): 23
Humidity (%): 48
Notes:
CAL CERT #: 210607-142845-cd4f83

Linearity

Freq MHz	Applied Field A/m	Indicated Field A/m	Max Dev dB
27.12	0.04	0.042	-0.43
27.12	0.05	0.056	-0.48
27.12	0.08	0.086	-0.54
27.12	0.13	0.147	-0.85
27.12	0.17	0.189	-0.81
27.12	0.27	0.296	-0.87
27.12	0.33	0.364	-0.76
27.12	0.54	0.584	-0.74
27.12	0.67	0.728	-0.77
27.12	0.80	0.876	-0.81
27.12	0.93	1.019	-0.82
27.12	1.07	1.178	-0.86
27.12	1.20	1.331	-0.92
27.12	1.33	1.498	-1.05
27.12	1.46	1.666	-1.16
27.12	1.60	1.851	-1.27

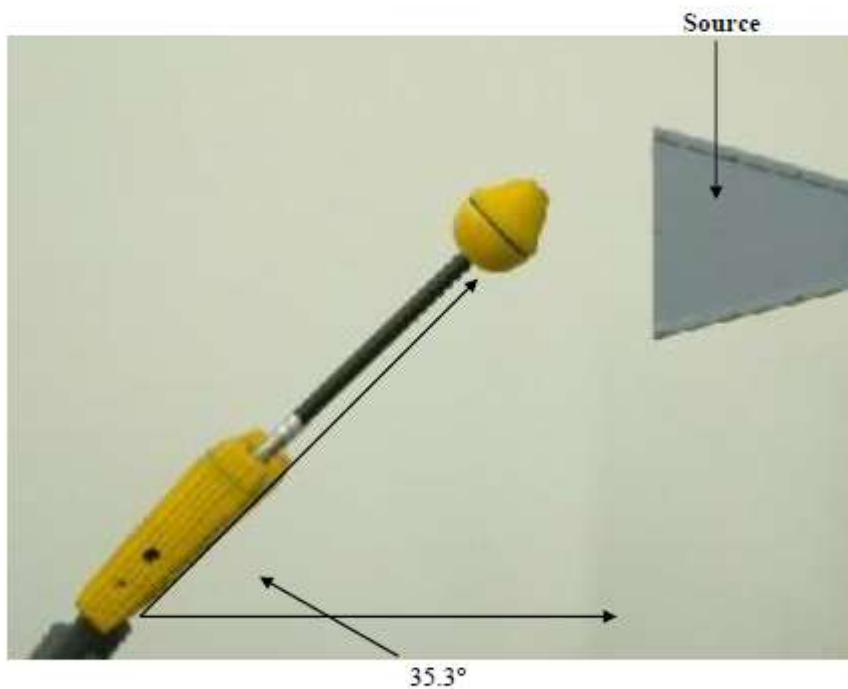
W&G_critical_angle.doc

Probe Alignment/Mounting Position

The alignment/mounting position of the probe is critical. The correction factors given with calibration are valid only for the indicated alignment/mounting position. Deviation from indicated alignment/mounting position of calibration can produce errors in excess of 6 dB.

The probe was positioned with the probe wand at a 35.3° angle position with the probe head centered in front of the field source. The picture below is for probe positioning reference only. The equipment shown does not necessarily indicate the equipment used for calibration.

Side View



Appendix C - Photos of Assessed Antennas
(All antennas mounted to the vehicle with the magnetic mount base)

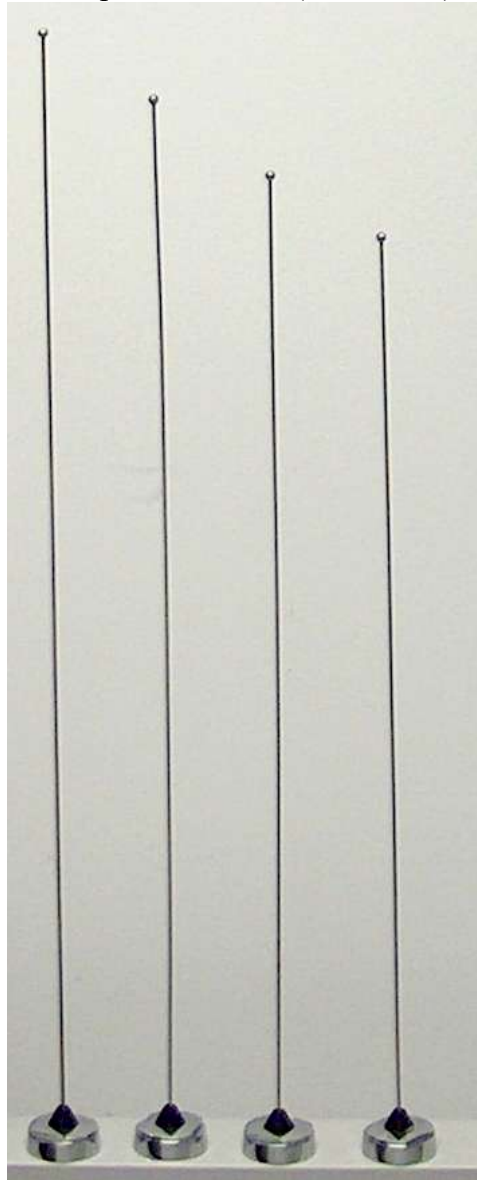


UHF R2 Antenna kit numbers: (From Left to Right)
HAE4003A, HAE6016A, HAE6013A, HAE6031A



UHF R2 Antenna kit numbers, from left to right
HAE4011A, RAE4014ARB (3pcs), RAE4016ARB (3pcs)

Companion Device (DVR VHF)



**VHF Antenna kit numbers, from left to right;
HAD4006A, HAD4007A, HAD4008A, HAD4009A**