



**ASTRO® XTL™ 5000**  
**Digital Mobile Radio**  
**Installation Manual**  
**(Mid-Power and 100W Radios)**

# Foreword

This manual covers all models of the ASTRO® XTL™ 5000 digital mobile radios (models W3, W4, W5, W7, and W9), unless otherwise specified. It includes all the information necessary to maintain peak product performance and maximum working time, using levels 1 and 2 maintenance procedures. This level of service goes down to the board replacement level and is typical of some local service centers, self-maintained customers, and distributors.

For details on radio operation or component-level troubleshooting, refer to the applicable manuals available separately. A list of related publications is provided in the section “[Related Publications](#),” on page vii.

## Product Safety and RF Exposure Compliance

See “[Installation Requirements for Compliance with Radio Frequency \(RF\) Energy Exposure Safety Standards](#),” on page iii.

## Manual Revisions

Changes which occur after this manual is printed are described in FMRs (Florida Manual Revisions). These FMRs provide complete replacement pages for all added, changed, and deleted items.

To obtain FMRs, go to <https://businessonline.motorola.com>.

## Parts Ordering

See [Appendix A: Replacement Parts Ordering](#) for information on how to obtain replacement parts. For part numbers, refer to the ASTRO XTL 5000 Digital Mobile Radio Basic Service Manual (Motorola publication part number 6881096C73).

## Computer Software Copyrights

The Motorola products described in this manual may include copyrighted Motorola computer programs stored in semiconductor memories or other media. Laws in the United States and other countries preserve for Motorola certain exclusive rights for copyrighted computer programs, including, but not limited to, the exclusive right to copy or reproduce in any form the copyrighted computer program. Accordingly, any copyrighted Motorola computer programs contained in the Motorola products described in this manual may not be copied, reproduced, modified, reverse-engineered, or distributed in any manner without the express written permission of Motorola. Furthermore, the purchase of Motorola products shall not be deemed to grant either directly or by implication, estoppel, or otherwise, any license under the copyrights, patents or patent applications of Motorola, except for the normal non-exclusive license to use that arises by operation of law in the sale of a product.

## Document Copyrights

No duplication or distribution of this document or any portion thereof shall take place without the express written permission of Motorola. No part of this manual may be reproduced, distributed, or transmitted in any form or by any means, electronic or mechanical, for any purpose without the express written permission of Motorola.

## Disclaimer

The information in this document is carefully examined, and is believed to be entirely reliable. However, no responsibility is assumed for inaccuracies. Furthermore, Motorola reserves the right to make changes to any products herein to improve readability, function, or design. Motorola does not assume any liability arising out of the applications or use of any product or circuit described herein; nor does it cover any license under its patent rights nor the rights of others.

## Trademarks

MOTOROLA, the Stylized M logo, FLASHport, and ASTRO are registered in the US Patent & Trademark Office. All other product or service names are the property of their respective owners.

© Motorola, Inc. 2004.

# Installation Requirements for Compliance with Radio Frequency (RF) Energy Exposure Safety Standards

## ATTENTION!

**This radio is intended for use in occupational/controlled conditions, where users have full knowledge of their exposure and can exercise control over their exposure to meet FCC limits. This radio device is NOT authorized for general population, consumer, or any other use.**

To ensure compliance to RF Energy Safety Standards:

- Install only Motorola approved antennas and accessories
- Be sure that antenna installation is per “[Antenna Installation](#),” on page 2-21 of this manual
- Be sure that Product Safety and RF Safety Booklet enclosed with this radio is available to the end user upon completion of the installation of this radio

Before using this product, the operator must be familiar with the RF energy awareness information and operating instructions in the Product Safety and RF Exposure booklet enclosed with each radio (Motorola Publication part number 68P81095C99) to ensure compliance with Radio Frequency (RF) energy exposure limits.

For a list of Motorola-approved antennas and other accessories, visit the following web site which lists approved accessories for your radio model: <http://www.motorola.com/cgiss/index.shtml>.

**This Page Intentionally Left Blank**

---

# Table of Contents

<b>Foreword</b> .....	<b>ii</b>
Product Safety and RF Exposure Compliance .....	ii
Manual Revisions .....	ii
Parts Ordering .....	ii
Computer Software Copyrights .....	ii
Document Copyrights .....	ii
Disclaimer .....	ii
Trademarks .....	ii
 <b>Installation Requirements for Compliance with Radio Frequency (RF) Energy Exposure Safety Standards</b> .....	 <b>iii</b>
 <b>Mobile Radio Model Numbering Scheme</b> .....	 <b>xi</b>
 <b>Commercial Warranty</b> .....	 <b>xiii</b>
Limited Warranty .....	xiii
MOTOROLA COMMUNICATION PRODUCTS .....	xiii
I. What This Warranty Covers And For How Long .....	xiii
II. General Provisions .....	xiii
III. State Law Rights .....	xiv
IV. How To Get Warranty Service .....	xiv
V. What This Warranty Does Not Cover .....	xiv
VI. Patent And Software Provisions .....	xv
VII. Governing Law .....	xv
 <b>Chapter 1 Introduction</b> .....	 <b>1-1</b>
1.1 Mobile Radio Description .....	1-1
1.1.1 Dimensions .....	1-1
1.2.1 Dash Mount Configuration .....	1-2
1.2.2 Remote Mount Configuration .....	1-2
1.2.3 Dual Control Configuration .....	1-3
1.3 Motorcycle Configurations .....	1-3
1.4 Base/Control Stations .....	1-3
1.5 Tools Required for XTL 5000 Installations .....	1-4
 <b>Chapter 2 Standard Configurations</b> .....	 <b>2-1</b>
2.1 Planning the Installation .....	2-1
2.2 Radio Mounting .....	2-7
2.2.2 Remote Mount with Trunnion .....	2-10
2.2.2.1 Transceiver .....	2-10
2.2.2.2 Control Head and Remote Mount Cabling .....	2-12
2.2.3 Locking Kit (Optional) .....	2-18
2.2.3.1 All Radios Except 100W .....	2-18

2.2.3.2	100W Radios .....	2-18
2.3	Power Cable .....	2-18
2.4	Ignition Sense Cable .....	2-21
2.5	Antenna Installation .....	2-21
2.5.1	Selecting an Antenna Site/Location on a Metal Body Vehicle .....	2-21
2.5.2	Mini-UHF Connection .....	2-22
2.6	Speaker .....	2-24
2.7	Microphone Hang-Up Clip .....	2-24
2.7.1	Standard Hang-Up Clip .....	2-24
2.7.2	Handheld Hang-Up Box (W3 Model) .....	2-25
2.8	Completing the Installation .....	2-25

## **Chapter 3 Options and Accessories Installation ..... 3-1**

3.1	VIP Overview .....	3-1
3.1.1	VIP Output Connections .....	3-1
3.1.2	VIP Input Connections .....	3-2
3.2	Remote-Mount Accessory Installations for W4/5/7/9 Models .....	3-2
3.2.1	Emergency Pushbutton, Footswitch, Horn Relay, and Light Relay Installation .....	3-3
3.2.1.1	Emergency Pushbutton or Footswitch Installation .....	3-3
3.2.1.2	Horn (External Alarm) Relay Installation .....	3-4
3.2.1.3	Lights (External Alarm) Relay Installation .....	3-4
3.3	Dash-Mount Accessory Installations for W4/5/7/9 Models .....	3-4
3.3.1	MDC Emergency Pushbutton or Footswitch Installation .....	3-5
3.3.2	Horn and Lights (External Alarms) Relays .....	3-5
3.4	Remote-Mount Accessory Installations for W3 Model .....	3-6
3.4.1	MDC Emergency Pushbutton or Footswitch Installation for W3 with Remote Cable Assembly .....	3-6
3.4.2	Horn and Lights (External Alarms) Relays Installation for W3 with Remote Cable Assembly .....	3-6
3.5	Accessory Connector Assembly Details (P2) .....	3-7
3.5.1	Installation into the Vehicle .....	3-7
3.5.2	Installation onto the Radio .....	3-8
3.5.3	Disassembly and Assembly .....	3-9
3.5.3.1	Disassembly .....	3-9
3.5.3.2	Assembly .....	3-9
3.5.4	Adapter Cable .....	3-10
3.5.5	Rear Accessory Jack Connection .....	3-11

## **Chapter 4 Motorcycle Radio Installation ..... 4-1**

4.1	Motorcycle Radio Description .....	4-1
4.1.1	Transceiver Enclosure .....	4-1
4.1.2	Control/Display Unit .....	4-1
4.1.3	Control Head Cable .....	4-1
4.1.4	Microphone .....	4-1
4.1.5	External Speaker .....	4-2
4.1.6	Headset Capability .....	4-2
4.1.7	Antenna .....	4-2
4.1.8	Ignition Wire .....	4-2
4.2	Installation Overview .....	4-2
4.2.1	General .....	4-2
4.2.2	Important Installation Hints .....	4-3

---

4.2.3	Parts Identification .....	4-3
4.2.4	Order of Installation .....	4-4
4.3	Installing the Universal Mounting Plate.....	4-4
4.4	Installing the Speaker and Control Head .....	4-5
4.4.1	Handlebar Installation with Speaker and Control Head Mounted Together.....	4-6
4.4.2	Fuel Tank Console Installation with Speaker and Control Head Mounted Together .....	4-7
4.4.3	Handlebar Installation with Speaker and Control Head Mounted Separately.....	4-9
4.4.4	Fuel Tank Console Installation with Speaker and Control Head Mounted Separately ...	4-10
4.5	Installing the Speaker .....	4-10
4.6	Installing the Microphone Hang-Up Clip .....	4-11
4.6.1	Extension Bracket Mounting .....	4-11
4.6.2	Speaker/Control Head Bracket Side Mounting .....	4-11
4.6.3	Other Hang-Up Clip Mounting .....	4-11
4.7	Installing Cables .....	4-12
4.8	Installing the Weather-Resistant Enclosure .....	4-13
4.9	Transceiver and Cabling Installation.....	4-14
4.9.1	Installing Cabling in the Enclosure.....	4-14
4.9.2	Installing the Transceiver.....	4-15
4.10	Installing the Antenna .....	4-18
4.11	Installing the Emergency Switch Option .....	4-18
4.12	Installing the External Alarm Relay Option .....	4-18
4.13	Installing the Headset Accessory.....	4-18
4.14	Horn/Lights Wiring .....	4-18
4.15	Emergency Switch Wiring.....	4-19
<b>Chapter 5</b>	<b>Finishing the Installation: Cable Connection .....</b>	<b>5-1</b>
<b>Appendix A</b>	<b>Replacement Parts Ordering.....</b>	<b>A-1</b>
A.1	Basic Ordering Information .....	A-1
A.2	Motorola Online .....	A-1
A.3	Mail Orders .....	A-1
A.5	Fax Orders.....	A-2
A.6	Parts Identification .....	A-2
A.7	Product Customer Service.....	A-2
<b>Glossary.....</b>	<b>Glossary-1</b>	
<b>Index.....</b>	<b>Index-1</b>	

## Related Publications

ASTRO XTL 5000 Digital Mobile Radio Model W3 User's Guide .....	6881096C67
ASTRO XTL 5000 Digital Mobile Radio Models W4, W5, W7, and W9 User's Guide .....	6881096C68
ASTRO XTL 5000 Digital Mobile Radio Basic Service Manual .....	6881096C73
CPS Programming Installation Guide .....	6881095C44
ASTRO Digital Spectra Mobile Radios Dual Control Head Radio System Service Manual.....	6881091C78
Spectra Control Station Installation Manual .....	6880101W87

## List of Figures

Figure 1-1. Front View of Dash Mount Radio (All but 100W Radios).....	1-1
Figure 1-2. Side View of Dash Mount Radio (All but 100W Radios).....	1-1
Figure 1-3. Front View of 100W Radio.....	1-1
Figure 1-4. Side View of 100W Radio.....	1-1
Figure 1-5. Dash Mount Configuration (All but 100W Radios).....	1-2
Figure 1-6. Remote Mount Configuration (Cannot Be Used for 100W Radios).....	1-2
Figure 1-7. Remote Mount Configuration (100W Only).....	1-3
Figure 2-1. Mounting Flexibility in Middle Console (Cannot Be Used for 100W Radios).....	2-2
Figure 2-2. On Top or Under Dash Mounting (Cannot Be Used for 100W Radios).....	2-2
Figure 2-3. Remote Mount–Control Head in Console.....	2-2
Figure 2-4. In Dash Mounting (Cannot Be Used for 100W Radios).....	2-2
Figure 2-5. Remote Mount–Control Head in Dash.....	2-2
Figure 2-6. Remote Mount–Control Head on Top or Under Dash.....	2-2
Figure 2-7. Radio Installation (Dash Mount) Using W4, W5, or W7 Control Heads (Cannot Be Used for 100W Radios).....	2-3
Figure 2-8. Radio Installation (Remote) Using W4, W5, W7, or W9 Control Heads.....	2-4
Figure 2-9. Radio Installation (Remote) Using W4, W5, W7, or W9 Control Heads (100W Only).....	2-4
Figure 2-10. Radio Installation (Dash Mount) Using W3 Control Heads (Cannot Be Used for 100W Radios).....	2-5
Figure 2-11. Radio Installation (Remote) Using W3 Control Heads.....	2-6
Figure 2-12. Radio Installation (Remote) Using W3 Control Heads (100W Only).....	2-6
Figure 2-13. Trunnion Orientation (Cannot Be Used for 100W Radios).....	2-7
Figure 2-14. Trunnion Orientation for 100W Radios (Quick Release Trunnion).....	2-8
Figure 2-15. Trunnion Orientation for 100W Radios (Screw-Mounted Trunnion).....	2-8
Figure 2-16. Transmission Hump Trunnion Mounting.....	2-9
Figure 2-17. Below Dash Trunnion Mounting.....	2-10
Figure 2-18. 100W Radio Mounting into Quick Release Trunnion.....	2-11
Figure 2-19. 100W Radio Mounting into Screw-Mounted Trunnion.....	2-11
Figure 2-20. W4, W5, W7, and W9 Control Heads.....	2-12
Figure 2-21. W4, W5, and W7 Control Head Installation Exploded View.....	2-13
Figure 2-22. W9 Control Head Installation Exploded View.....	2-14
Figure 2-23. W4, W5, and W7 Control Head Rear View.....	2-14
Figure 2-24. W3 Control Head.....	2-15
Figure 2-25. Fuseholder Assembly for Orange and Green Control Cables.....	2-16
Figure 2-26. Locking Kit (Optional) (Cannot Be Used for 100W Radios).....	2-18
Figure 2-27. Lock Supplied with 100W Quick Release Trunnion.....	2-18
Figure 2-28. Cabling Interconnect Diagram for Remote Mount.....	2-19
Figure 2-29. Cabling Interconnect Diagram for Dash Mount ( <i>Cannot Be Used for 100W Radios</i> ).....	2-20
Figure 2-30. Mini-UHF Connection (Cannot Be Used for 100W Radios).....	2-22
Figure 2-31. Mini-UHF Connection (100W Radios Only).....	2-22
Figure 2-32. Mini-UHF Connector Tool (Cannot Be Used for 100W Radios).....	2-23
Figure 2-33. Mini-UHF Connector Tool (100W Radios Only).....	2-23
Figure 2-34. Speaker Mounting.....	2-24
Figure 3-1. VIP Connector Detail.....	3-3
Figure 3-2. Emergency Switch Wiring Diagram for W4/5/7/9.....	3-5
Figure 3-3. Horn/Light Wiring Diagram for W4/5/7/9.....	3-6
Figure 3-4. Emergency Switch Wiring Diagram for W3.....	3-6
Figure 3-5. Horn/Light Wiring Diagram for W3.....	3-7
Figure 3-6. Exploded View of Accessory Connector Assembly (P2).....	3-9
Figure 3-7. Rear Accessory Connector Audio Configuration.....	3-10



---

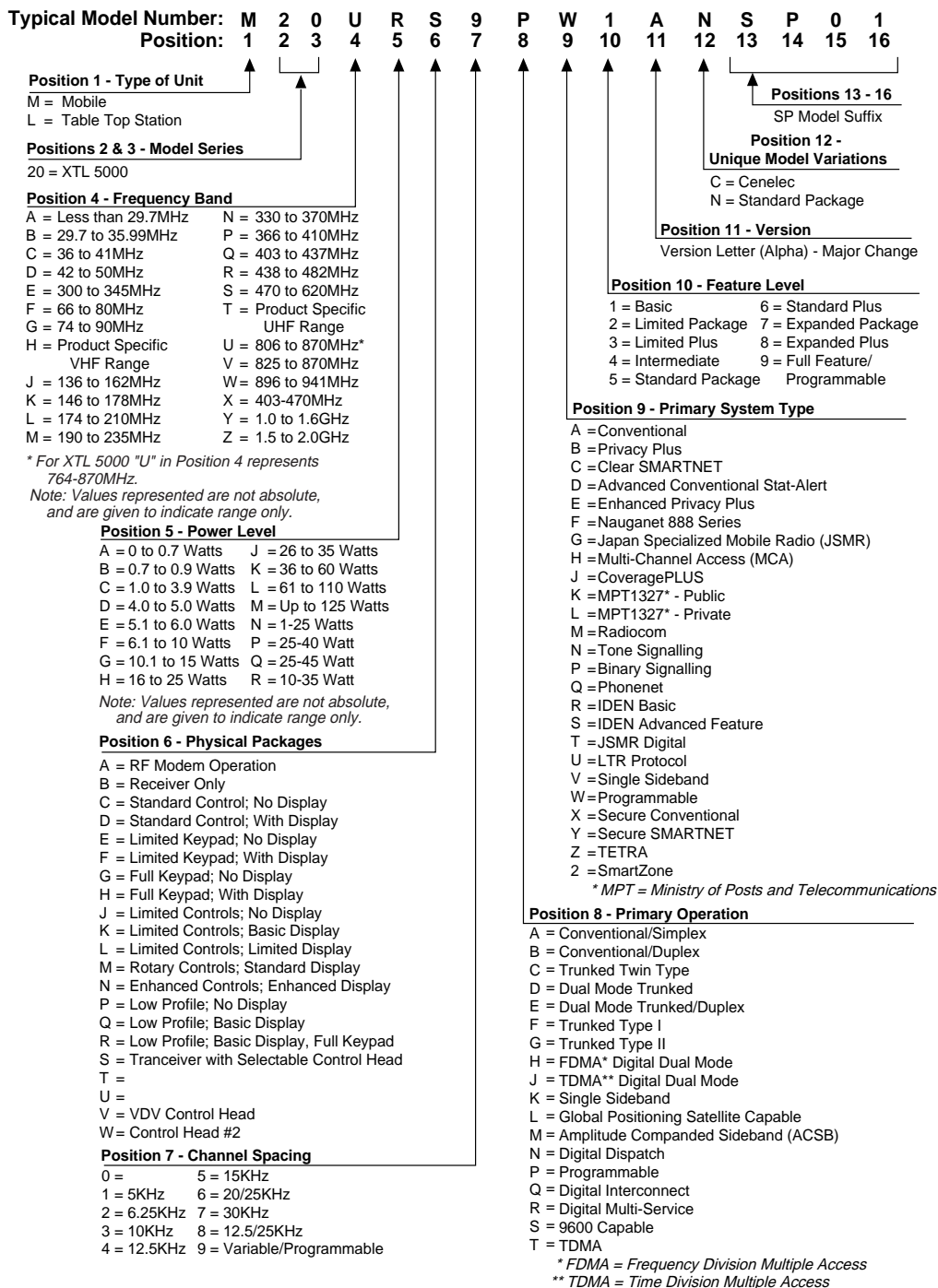
Figure 3-8. Rear Accessory Connector Data Configuration .....	3-10
Figure 3-9. Rear Accessory Jack Pin Configuration (J2) (Radio Side) .....	3-11
Figure 4-1. Universal Mounting Plate Installation (Part of Radio Enclosure Kit) .....	4-5
Figure 4-2. Handlebar Installation with Speaker and Control Head Mounted Together .....	4-6
Figure 4-3. Fuel Tank Console Installation with Speaker and Control Head Mounted Together .....	4-8
Figure 4-4. Handlebar Installation with Speaker and Control Head Mounted Separately .....	4-9
Figure 4-5. Fuel Tank Console Installation with Speaker and Control Head Mounted Separately .....	4-10
Figure 4-6. Cable Routing .....	4-12
Figure 4-7. Weather-Resistant Enclosure Installation .....	4-13
Figure 4-8. Installing Cables.....	4-15
Figure 4-9. Installing the Transceiver .....	4-17
Figure 4-10. Horn/Lights Wiring Diagram.....	4-18
Figure 4-11. Emergency Switch Wiring Diagram .....	4-19

---

## List of Tables

Table 2-1.	Radio Functions Connections .....	2-16
Table 2-2.	Fuse Assembly for Orange and Green Leads Parts List.....	2-17
Table 3-1.	VIP Output Connections .....	3-1
Table 3-2.	VIP Input Connections .....	3-2
Table 3-3.	Rear Accessory Jack Pin Functions.....	3-12
Table 3-4.	Rear Connector and Front Connector Naming Schemes .....	3-13
Table 3-5.	How to Connect to a Computer <sup>1</sup> (DTE Device).....	3-13
Table 4-1.	Transceiver Installation Parts List .....	4-16

# Mobile Radio Model Numbering Scheme



## Notes

# Commercial Warranty

## Limited Warranty

### MOTOROLA COMMUNICATION PRODUCTS

#### I. What This Warranty Covers And For How Long

MOTOROLA INC. ("MOTOROLA") warrants the MOTOROLA manufactured Communication Products listed below ("Product") against defects in material and workmanship under normal use and service for a period of time from the date of purchase as scheduled below:

ASTRO XTL 5000 Digital Mobile Radio	One (1) Year
Product Accessories	One (1) Year

Motorola, at its option, will at no charge either repair the Product (with new or reconditioned parts), replace it (with a new or reconditioned Product), or refund the purchase price of the Product during the warranty period provided it is returned in accordance with the terms of this warranty. Replaced parts or boards are warranted for the balance of the original applicable warranty period. All replaced parts of Product shall become the property of MOTOROLA.

This express limited warranty is extended by MOTOROLA to the original end user purchaser only and is not assignable or transferable to any other party. This is the complete warranty for the Product manufactured by MOTOROLA. MOTOROLA assumes no obligations or liability for additions or modifications to this warranty unless made in writing and signed by an officer of MOTOROLA. Unless made in a separate agreement between MOTOROLA and the original end user purchaser, MOTOROLA does not warrant the installation, maintenance or service of the Product.

MOTOROLA cannot be responsible in any way for any ancillary equipment not furnished by MOTOROLA which is attached to or used in connection with the Product, or for operation of the Product with any ancillary equipment, and all such equipment is expressly excluded from this warranty. Because each system which may use the Product is unique, MOTOROLA disclaims liability for range, coverage, or operation of the system as a whole under this warranty.

#### II. General Provisions

This warranty sets forth the full extent of MOTOROLA'S responsibilities regarding the Product. Repair, replacement or refund of the purchase price, at MOTOROLA's option, is the exclusive remedy. THIS WARRANTY IS GIVEN IN LIEU OF ALL OTHER EXPRESS WARRANTIES. IMPLIED WARRANTIES, INCLUDING WITHOUT LIMITATION, IMPLIED WARRANTIES OF MERCHANTABILITY AND FITNESS FOR A PARTICULAR PURPOSE, ARE LIMITED TO THE DURATION OF THIS LIMITED WARRANTY. IN NO EVENT SHALL MOTOROLA BE LIABLE FOR DAMAGES IN EXCESS OF THE PURCHASE PRICE OF THE PRODUCT, FOR ANY LOSS OF USE, LOSS OF TIME, INCONVENIENCE, COMMERCIAL LOSS, LOST PROFITS OR SAVINGS OR OTHER INCIDENTAL, SPECIAL OR CONSEQUENTIAL DAMAGES ARISING OUT OF THE USE OR INABILITY TO USE SUCH PRODUCT, TO THE FULL EXTENT SUCH MAY BE DISCLAIMED BY LAW.

### III. State Law Rights

SOME STATES DO NOT ALLOW THE EXCLUSION OR LIMITATION OF INCIDENTAL OR CONSEQUENTIAL DAMAGES OR LIMITATION ON HOW LONG AN IMPLIED WARRANTY LASTS, SO THE ABOVE LIMITATION OR EXCLUSIONS MAY NOT APPLY.

This warranty gives specific legal rights, and there may be other rights which may vary from state to state.

### IV. How To Get Warranty Service

You must provide proof of purchase (bearing the date of purchase and Product item serial number) in order to receive warranty service and, also, deliver or send the Product item, transportation and insurance prepaid, to an authorized warranty service location. Warranty service will be provided by Motorola through one of its authorized warranty service locations. If you first contact the company which sold you the Product, it can facilitate your obtaining warranty service. You can also call Motorola at 1-888-567-7347 US/Canada.

### V. What This Warranty Does Not Cover

- A. Defects or damage resulting from use of the Product in other than its normal and customary manner.
- B. Defects or damage from misuse, accident, water, or neglect.
- C. Defects or damage from improper testing, operation, maintenance, installation, alteration, modification, or adjustment.
- D. Breakage or damage to antennas unless caused directly by defects in material workmanship.
- E. A Product subjected to unauthorized Product modifications, disassemblies or repairs (including, without limitation, the addition to the Product of non-Motorola supplied equipment) which adversely affect performance of the Product or interfere with Motorola's normal warranty inspection and testing of the Product to verify any warranty claim.
- F. Product which has had the serial number removed or made illegible.
- G. Rechargeable batteries if:
  - any of the seals on the battery enclosure or cells are broken or show evidence of tampering.
  - the damage or defect is caused by charging or using the battery in equipment or service other than the Product for which it is specified.
- H. Freight costs to the repair depot.
- I. A Product which, due to illegal or unauthorized alteration of the software/firmware in the Product, does not function in accordance with MOTOROLA's published specifications or the FCC type acceptance labeling in effect for the Product at the time the Product was initially distributed from MOTOROLA.
- J. Scratches or other cosmetic damage to Product surfaces that does not affect the operation of the Product.
- K. Normal and customary wear and tear.

## VI. Patent And Software Provisions

MOTOROLA will defend, at its own expense, any suit brought against the end user purchaser to the extent that it is based on a claim that the Product or parts infringe a United States patent, and MOTOROLA will pay those costs and damages finally awarded against the end user purchaser in any such suit which are attributable to any such claim, but such defense and payments are conditioned on the following:

- A. that MOTOROLA will be notified promptly in writing by such purchaser of any notice of such claim;
- B. that MOTOROLA will have sole control of the defense of such suit and all negotiations for its settlement or compromise; and
- C. should the Product or parts become, or in MOTOROLA's opinion be likely to become, the subject of a claim of infringement of a United States patent, that such purchaser will permit MOTOROLA, at its option and expense, either to procure for such purchaser the right to continue using the Product or parts or to replace or modify the same so that it becomes noninfringing or to grant such purchaser a credit for the Product or parts as depreciated and accept its return. The depreciation will be an equal amount per year over the lifetime of the Product or parts as established by MOTOROLA.

MOTOROLA will have no liability with respect to any claim of patent infringement which is based upon the combination of the Product or parts furnished hereunder with software, apparatus or devices not furnished by MOTOROLA, nor will MOTOROLA have any liability for the use of ancillary equipment or software not furnished by MOTOROLA which is attached to or used in connection with the Product. The foregoing states the entire liability of MOTOROLA with respect to infringement of patents by the Product or any parts thereof.

Laws in the United States and other countries preserve for MOTOROLA certain exclusive rights for copyrighted MOTOROLA software such as the exclusive rights to reproduce in copies and distribute copies of such Motorola software. MOTOROLA software may be used in only the Product in which the software was originally embodied and such software in such Product may not be replaced, copied, distributed, modified in any way, or used to produce any derivative thereof. No other use including, without limitation, alteration, modification, reproduction, distribution, or reverse engineering of such MOTOROLA software or exercise of rights in such MOTOROLA software is permitted. No license is granted by implication, estoppel or otherwise under MOTOROLA patent rights or copyrights.

## VII. Governing Law

This Warranty is governed by the laws of the State of Illinois, USA.

## Notes



---

# Chapter 1 Introduction

This manual covers the installation procedures for ASTRO XTL 5000 mobile and motorcycle radios and accessories required to complete the radio system. The radio system consists of a control head, radio, antenna, microphone, speaker, cabling, and accessories.

## 1.1 Mobile Radio Description

### 1.1.1 Dimensions

Figure 1-1 and Figure 1-2 show the basic dimensions of the dash mount (mid-power) XTL 5000 radio, and Figure 1-3 and Figure 1-4 show the basic dimensions of the 100W (high-power) XTL 5000 radio. The transceiver portion of a remote mount XTL 5000 is sized similarly.

When installing the radio, make sure to plan the installation carefully and leave additional room in the rear of the radio for cabling and accessory connections; in the front of the radio for access, controls, and cabling (if remote mount); and to the sides of the radio so that you may access and install the trunnion wing screws.

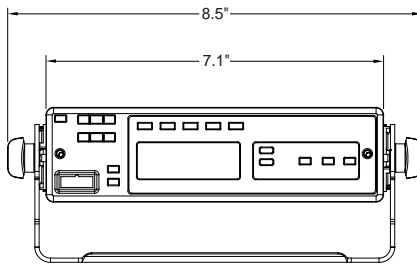


Figure 1-1. Front View of Dash Mount Radio (All but 100W Radios)

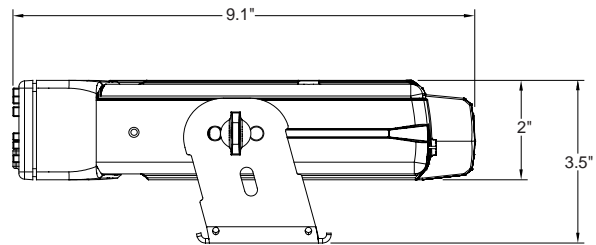


Figure 1-2. Side View of Dash Mount Radio (All but 100W Radios)

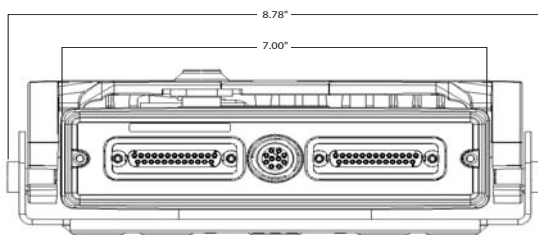


Figure 1-3. Front View of 100W Radio

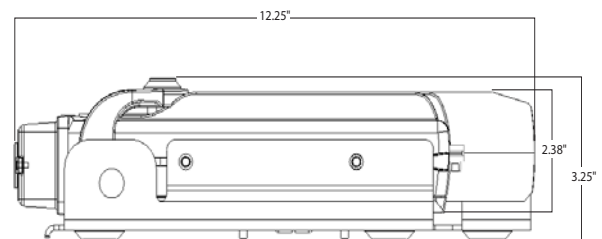


Figure 1-4. Side View of 100W Radio

**NOTE:** The rear accessory connector adds 0.75 in. to the overall length.

---

## 1.2 Standard Configurations

### 1.2.1 Dash Mount Configuration

**NOTE:** The dash mount configuration is not applicable for 100W radios.

In the dash mounting version of the XTL 5000, the control head is mounted on the front of the transceiver housing. Electrical connection between the two takes place within the radio via a flexible circuit board between the connectors on the front of the transceiver and at the back of the control head.

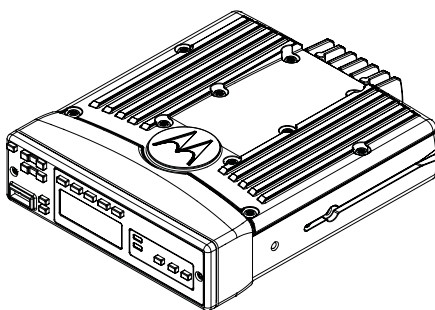


Figure 1-5. Dash Mount Configuration (All but 100W Radios)

For details on this configuration, see [Section 2.2.1 on page 2-9](#).

### 1.2.2 Remote Mount Configuration

In the remote control version, the transceiver and the control head are mounted separately in the vehicle. The control head is mounted in a remote trunnion near the operator. The transceiver is mounted by means of a trunnion or other mounting hardware. If the transceiver is located in a car trunk, be sure that secure mounting and sufficient cooling are provided. Do not cover the transceiver with baggage, blankets, etc.

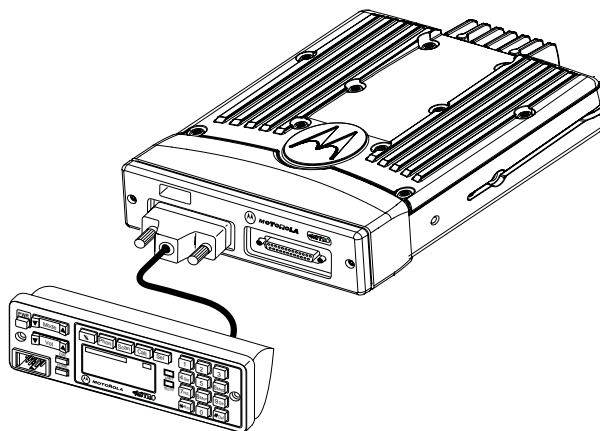


Figure 1-6. Remote Mount Configuration (Cannot Be Used for 100W Radios)

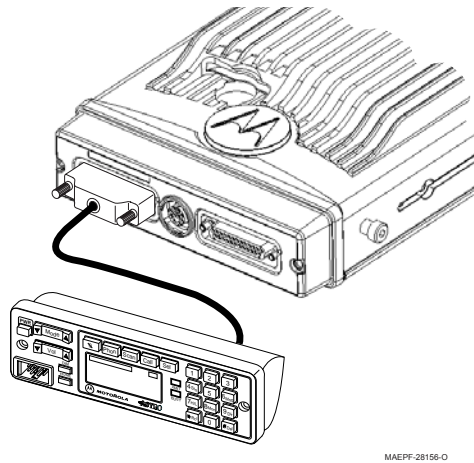


Figure 1-7. Remote Mount Configuration (100W Only)

For details on these configurations, see [Section 2.2.2 on page 2-10](#).

### 1.2.3 Dual Control Configuration

The dual control head option allows two, separate, remotely operated control heads to operate and control the radio. For example, a fire truck could have a control head located in the cab and on the rear of the truck so that the radio could be operated from outside the vehicle.

For details on this configuration, see the ASTRO Digital Spectra Mobile Radios Dual Control Head Radio System Service Manual (Motorola publication part number 6881091C78).

## 1.3 Motorcycle Configurations

**NOTE:** The motorcycle configurations are not applicable for 100W radios.

The ASTRO XTL 5000 motorcycle radio models provide most of the equipment needed for installing a standard ASTRO XTL 5000 radio on a motorcycle. Most of this radio system is standard equipment. See Chapter 4: Motorcycle Radio Installation for further information.

## 1.4 Base/Control Stations

**NOTE:** The base/control station option is not applicable for 100W radios.

The base/control station option provides the radio with a desk microphone and power supply for use at a fixed location. All operations are the same as the mobile, except for the desk microphone.

Choose a location for your base/control station as close as possible to where the antenna cable enters the building. Be sure an electric outlet is available. Make sure sufficient air can flow around the radio to permit adequate cooling.

The antenna should be installed outside of the building, but never within two feet (for radios with less than 50 watts power output) or within three feet (for radios with 50 watts or higher power output) of station operators or bystanders.

For more information, refer to the Spectra Control Station Installation Manual (Motorola publication part number 6880101W87).

## 1.5 Tools Required for XTL 5000 Installations

Tool	Part Number
11/32 hex driver	—
RF cable tool	HLN6695_
Regular slot screwdriver of Phillips #2	—
Pin removal tool	6680163F01
1/4 hex driver	—

---

## Chapter 2 Standard Configurations

### 2.1 Planning the Installation

The XTL 5000 radio operates only in negative ground electrical systems. Before starting the radio installation, make sure that the ground polarity of the vehicle is correct. Accidentally reversing the polarity will not damage the radio, but will cause the cable fuses to blow.

Planning is the key to fast, easy radio installation. Before starting the installation, inspect the vehicle and determine how and where you intend to mount the antenna, radio, and accessories. Plan wire and cable runs to provide maximum protection from inching, crushing, and overheating.

<p><b>CAUTION</b> Before installing any electrical equipment, check the vehicle manufacturer's user manual. The installation of this device should be completed by an authorized servicer or installer.</p>
---

### 2.1.1 Installation Examples

Your mobile two-way radio offers various methods of installation, including dash or remote mount. Except for 100W radios, all versions of the XTL 5000 can be either dash or remote mounted (see [Figure 2-1](#) through [Figure 2-6](#)). 100W radios can only be mounted remotely (see [Figure 2-3](#), [Figure 2-5](#), and [Figure 2-6](#)).

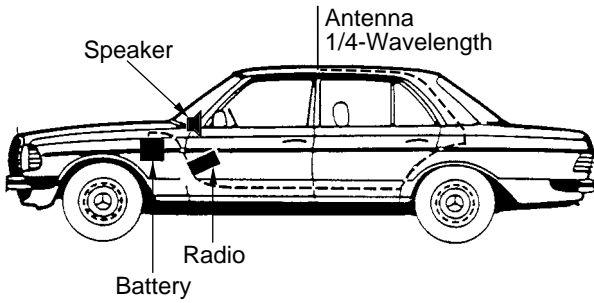


Figure 2-1. Mounting Flexibility in Middle Console (Cannot Be Used for 100W Radios)

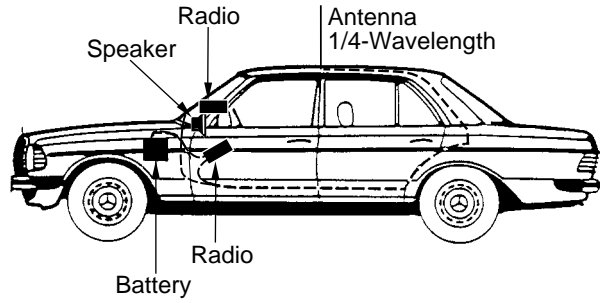


Figure 2-2. On Top or Under Dash Mounting (Cannot Be Used for 100W Radios)

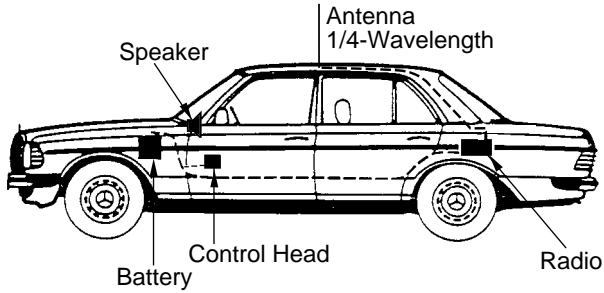


Figure 2-3. Remote Mount—Control Head in Console

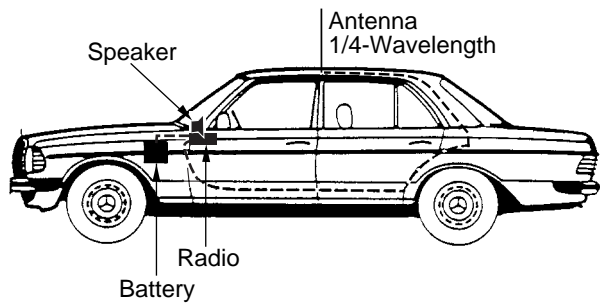


Figure 2-4. In Dash Mounting (Cannot Be Used for 100W Radios)

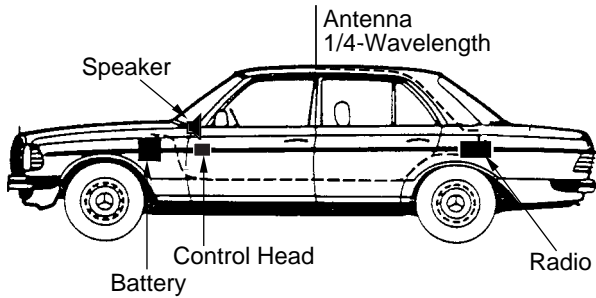


Figure 2-5. Remote Mount—Control Head in Dash

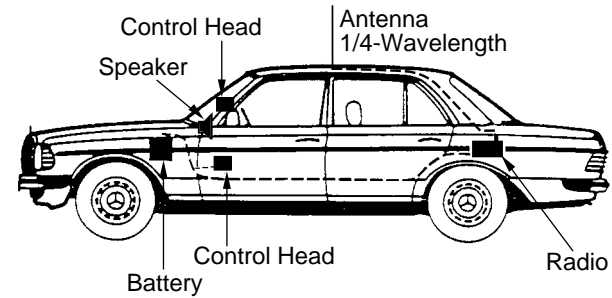


Figure 2-6. Remote Mount—Control Head on Top or Under Dash

### 2.1.2 Wiring Diagrams

Figure 2-7 through Figure 2-11 show the wiring diagrams for all the possible configurations. The title under each figure identifies which model control head is being shown. Identify which of these figures shows the configuration that you are installing, and use the diagram when planning the installation.

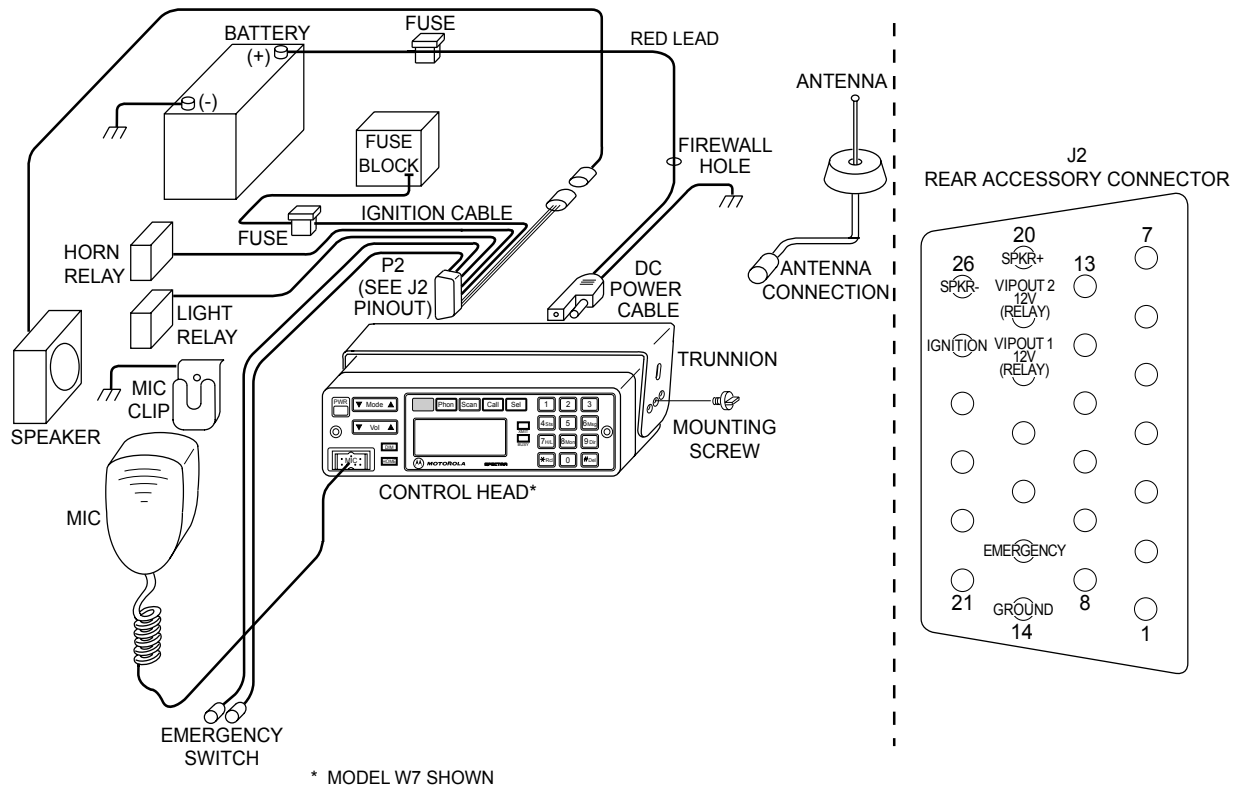


Figure 2-7. Radio Installation (Dash Mount) Using W4, W5, or W7 Control Heads  
 (Cannot Be Used for 100W Radios)  
 (For complete pin configuration, see Figure 3-9.)

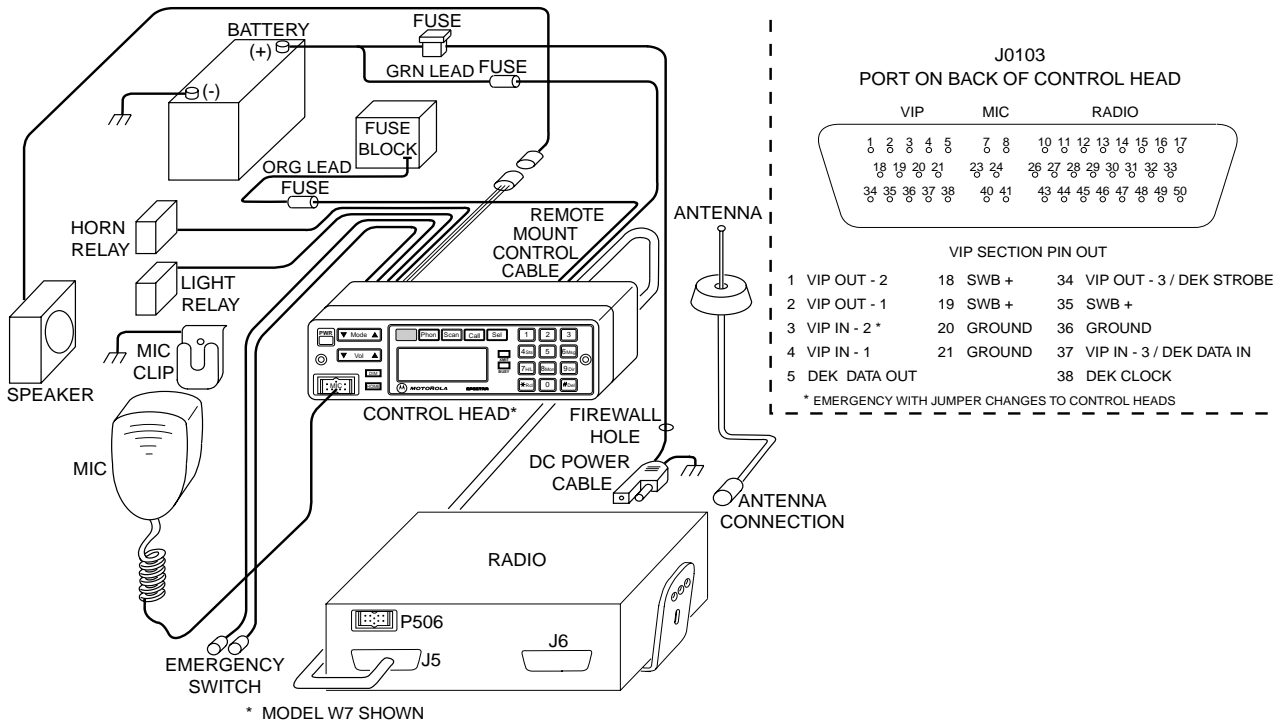


Figure 2-8. Radio Installation (Remote) Using W4, W5, W7, or W9 Control Heads

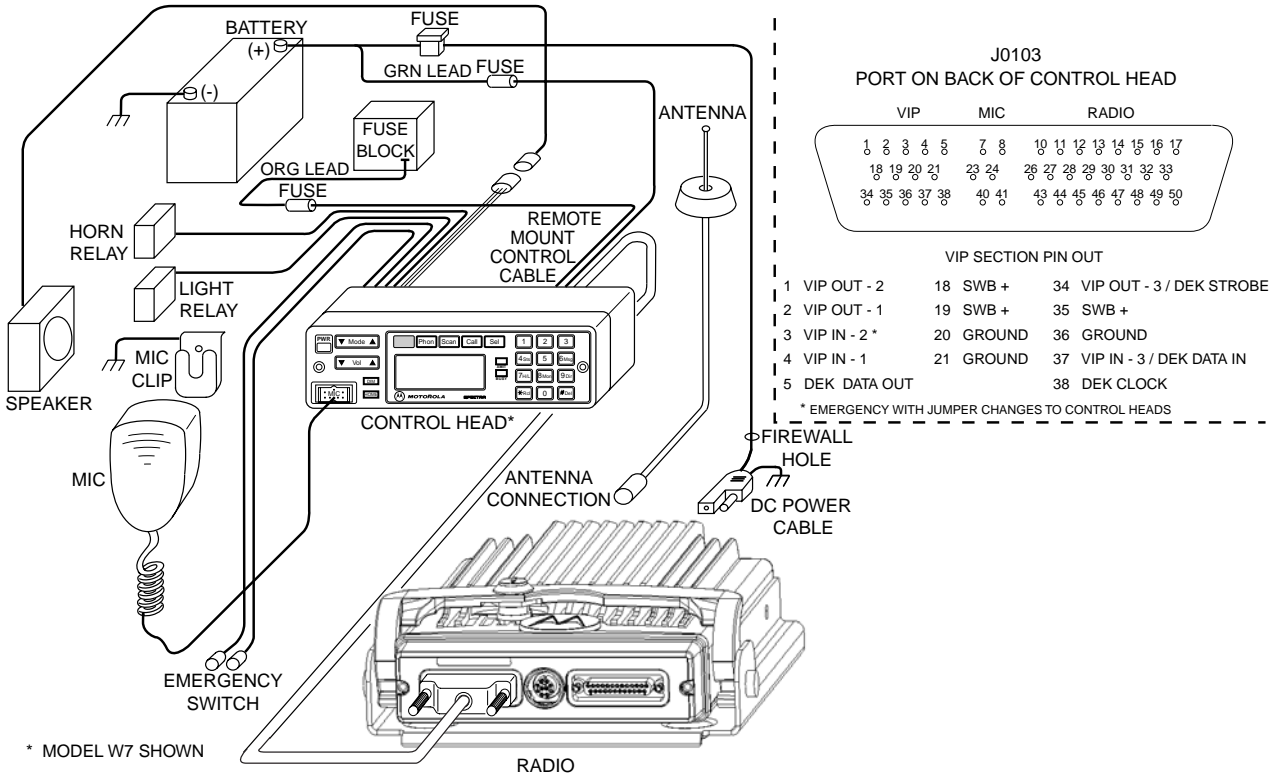
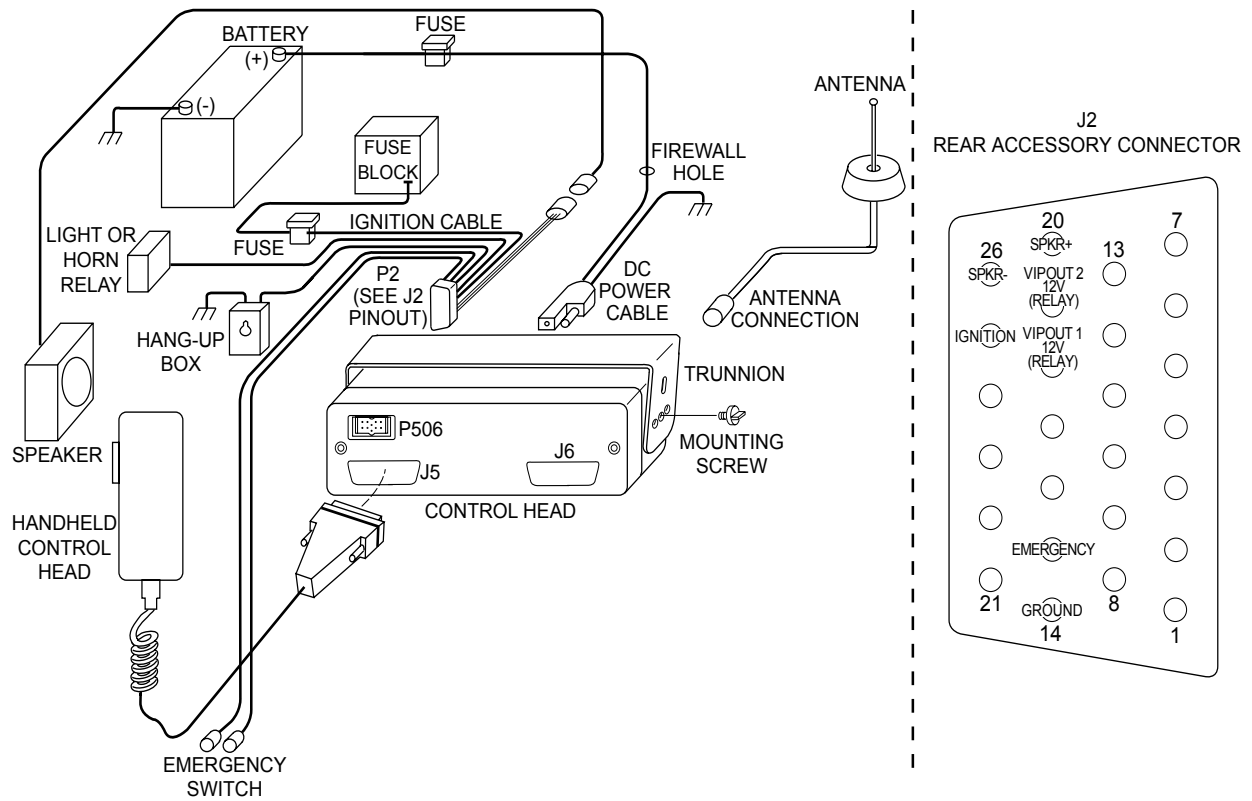


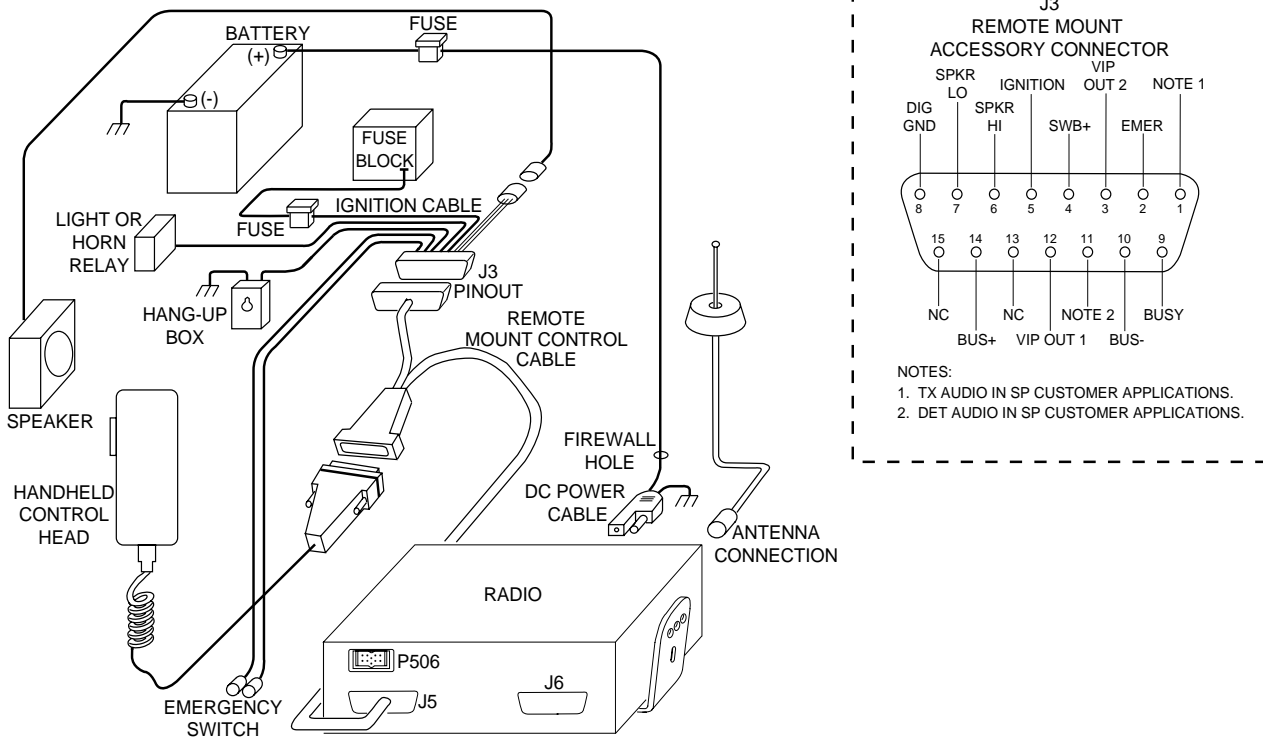
Figure 2-9. Radio Installation (Remote) Using W4, W5, W7, or W9 Control Heads (100W Only)





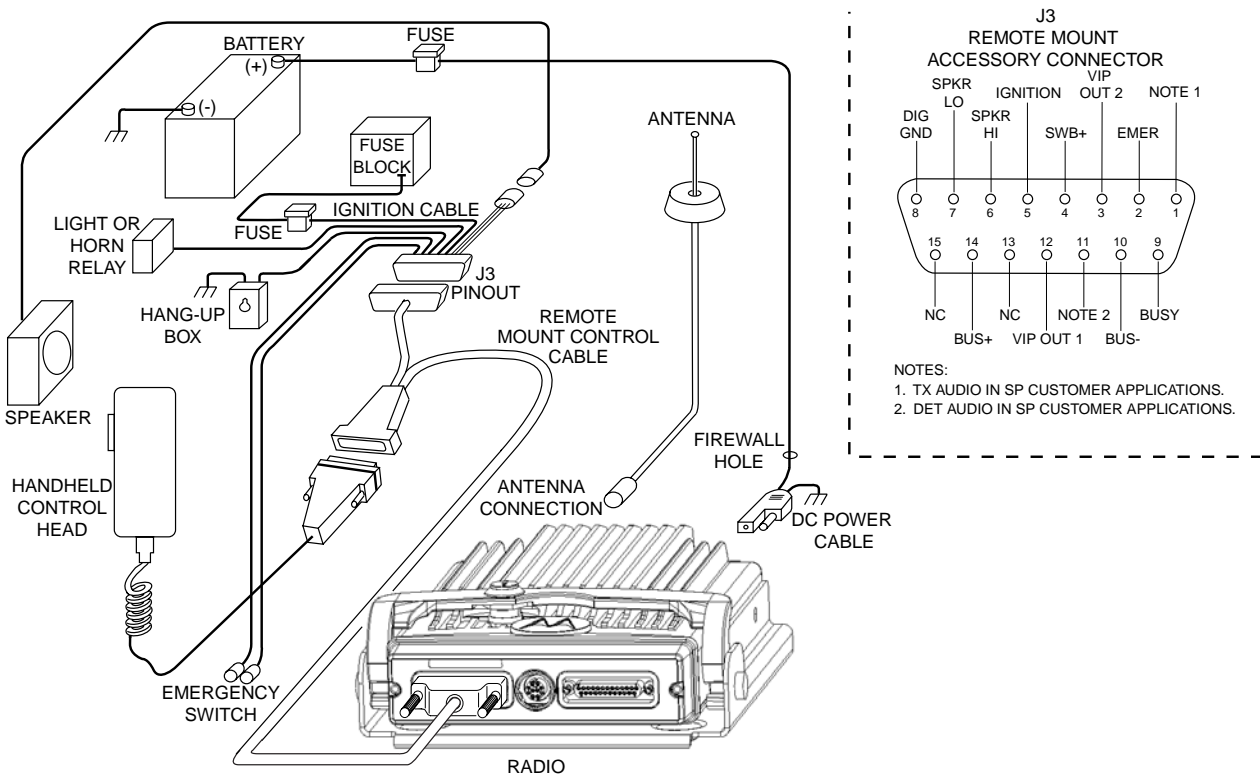
MAEPF-27614-O

Figure 2-10. Radio Installation (Dash Mount) Using W3 Control Heads  
 (Cannot Be Used for 100W Radios)  
 (For complete pin configuration, see [Figure 3-9.](#))



MAEPF-27615-O


Figure 2-11. Radio Installation (Remote) Using W3 Control Heads



MAEPF-28158-O

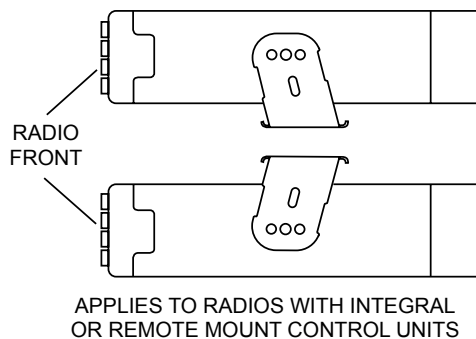
Figure 2-12. Radio Installation (Remote) Using W3 Control Heads (100W Only)

## 2.2 Radio Mounting

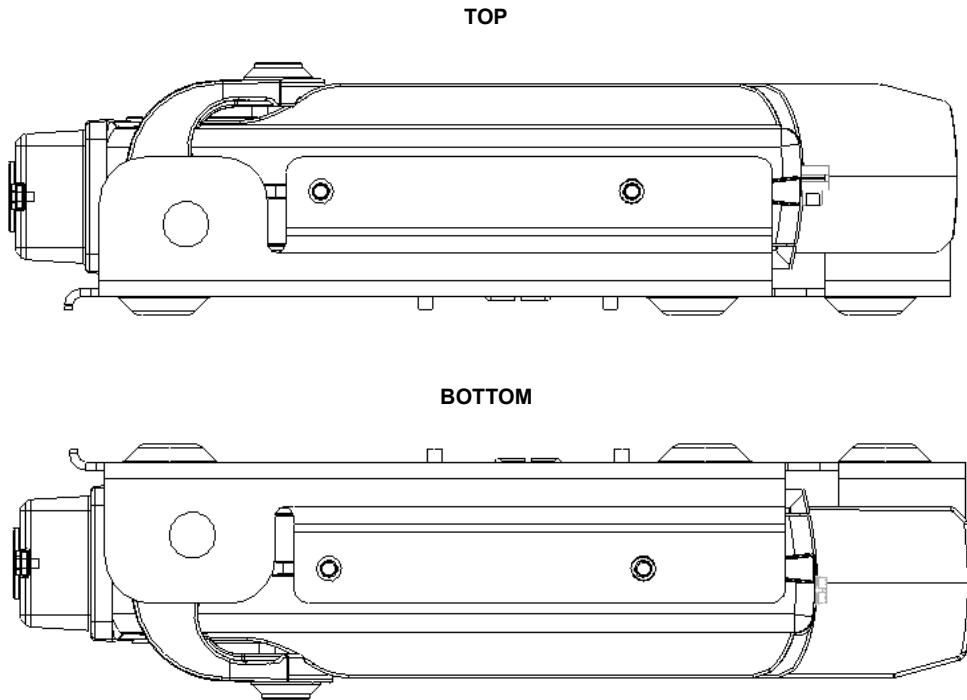
 <b>Caution</b>	<p><b>CAUTION:</b> DO NOT mount the radio on a plastic dashboard without first reinforcing the dashboard; the weight of the radio may crack or break the dashboard.</p> <p><b>CAUTION:</b> DO NOT mount the radio on a flat or concave surface where the radio could be partially submersed in water. This is especially important if the cab area of the vehicle is cleaned by spraying with water. If the radio sits in water for a length of time, moisture may seep inside the radio and damage the electronic components.</p> <p><b>CAUTION:</b> DO NOT allow water to stand in recessed areas of vertically mounted radios. Remove any moisture immediately to prevent it from seeping down into the radio.</p>
---	---

The mounting location must be accessible and visible. Select a location that will permit routing the RF antenna cable as directly as possible.

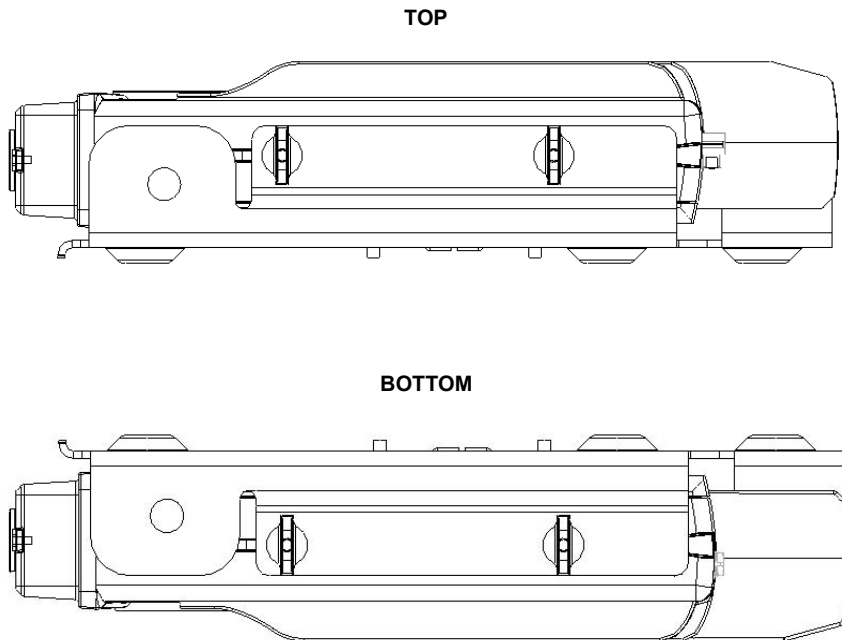
**NOTE:** For optimum radio performance, orient the mounting trunnion as shown in [Figure 2-11](#) or [Figure 2-12](#). For new or existing installations of all but 100W radios, use only the XTL 5000 trunnion, kit number HLN6861\_. For new or existing installations of 100W radios, use only the XTL 5000 trunnion, kit numbers HLN6909\_ or HLN6910\_.



*Figure 2-13. Trunnion Orientation (Cannot Be Used for 100W Radios)*



*Figure 2-14. Trunnion Orientation for 100W Radios (Quick Release Trunnion)*

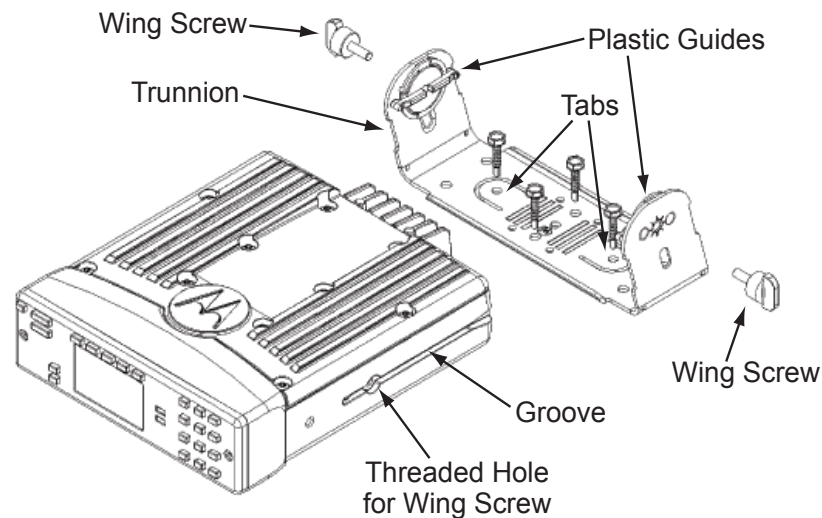


*Figure 2-15. Trunnion Orientation for 100W Radios (Screw-Mounted Trunnion)*

## 2.2.1 Dash Mount with Trunnion

**NOTE:** This configuration is not applicable for 100W radios.

1. Select the location to mount your radio on the transmission hump (see [Figure 2-16](#)) or under the dash (see [Figure 2-17](#)). When mounting the trunnion on the transmission hump take care the transmission housing is not affected.
2. Using the trunnion mounting bracket as a template, mark the positions of the holes on the mounting surface. Use the innermost four holes for a curved mounting surface such as the transmission hump, and the four outmost holes for a flat surface such as under the dash.
3. Center punch the spots you have marked and realign the trunnion in position.
4. Secure the trunnion mounting bracket with the four self-drilling screws provided (see [Figure 2-16](#) and [Figure 2-17](#)).
5. Ensure that the plastic guides are aligned (horizontal) to the grooves of the trunnion. Slide the radio into the grooves until it snaps into place (see [Figure 2-16](#)). Secure the radio with the two wing screws provided.



*Figure 2-16. Transmission Hump Trunnion Mounting*

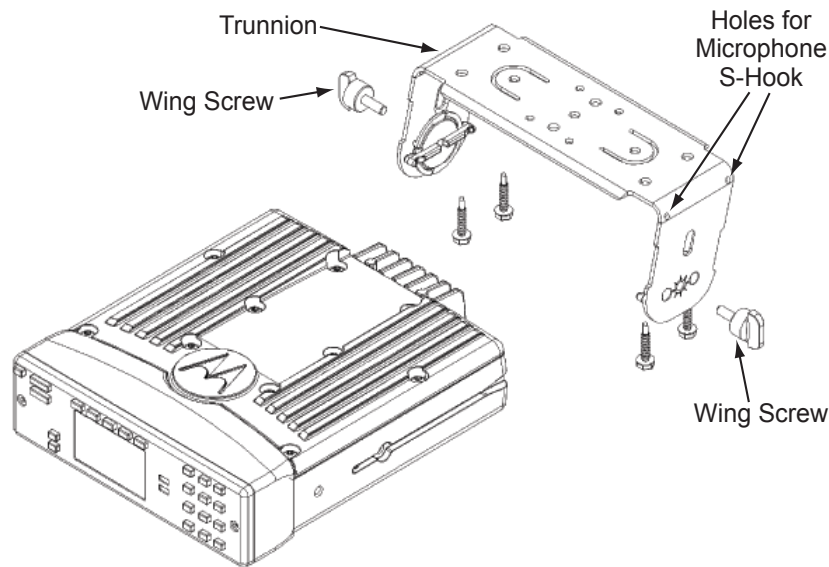


Figure 2-17. Below Dash Trunnion Mounting

## 2.2.2 Remote Mount with Trunnion

### 2.2.2.1 Transceiver

**CAUTION** Before installing any electrical equipment, check the vehicle manufacturer's user manual.  
The installation of this device should be completed by an authorized servicer or installer.

For a remote mount installation, the transceiver may be mounted anywhere in the vehicle, provided that the installation location is safe, follows the cautions mentioned at the beginning of this section, and is accessible for servicing/maintenance as well as cabling. A typical mounting location recommended by Motorola is in the vehicle's trunk. The trunnion provided may still be used to mount the transceiver, and the mounting process is the same as for the dash mount installation ([Section 2.2.1 on page 2-9](#)). However, for 100W radios you must follow the procedure detailed below in [Section 2.2.2.1.1](#). See [Figure 2-8](#) or [Figure 2-9](#) for a remote W4, W5, W7, and W9 installation, and [Figure 2-11](#) or [Figure 2-12](#) for a remote W3 installation.

#### 2.2.2.1.1 100W Radios Only

1. After selecting the mounting location, use the trunnion mounting bracket as a template and mark the positions of the holes on the mounting surface.
2. Center-punch the spots you have marked and realign the trunnion in position.
3. Secure the trunnion mounting bracket with the five self-drilling screws provided (see [Figure 2-14](#) and [Figure 2-15](#)).
4. A. *Quick release trunnion (HLN6909\_)*: See [Figure 2-18](#). After the trunnion has been mounted in the vehicle using the screws provided, insert the rear of the radio into the rear catches of the trunnion and rotate the radio down into place. Then push the handle towards the back of the radio to secure it. Using the keys provided, lock the handle in place and remove the keys.

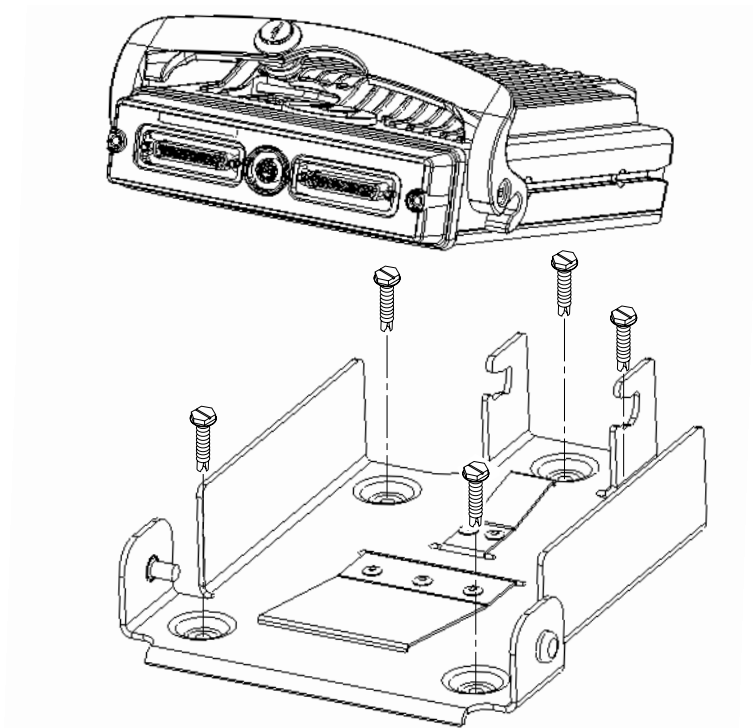


Figure 2-18. 100W Radio Mounting into Quick Release Trunnion

B. Screw-mounted trunnion (HLN6910\_): See [Figure 2-19](#). After mounting the trunnion to the vehicle using the screws provided, insert the rear of the radio into the rear catches of the trunnion and rotate the radio down into place. Secure the radio by installing the four wing screws provided.

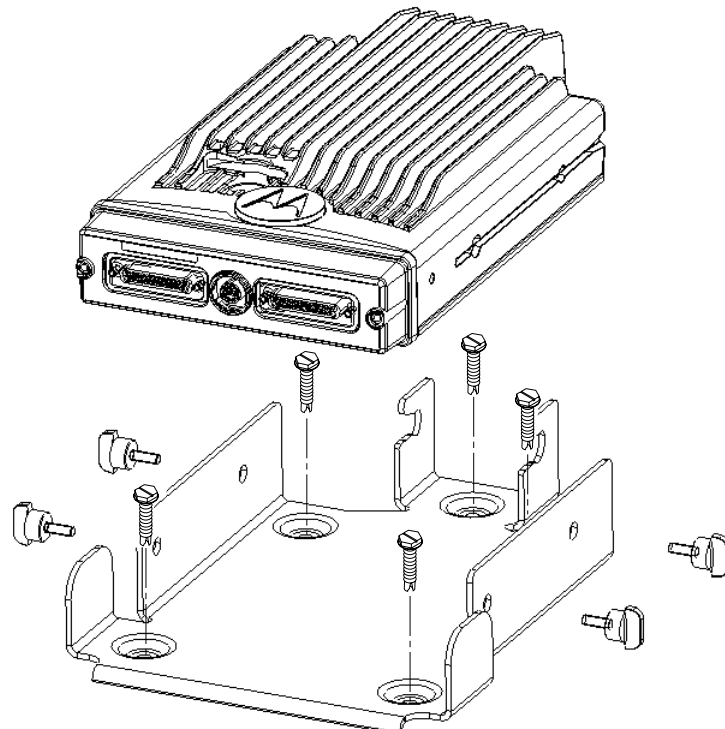


Figure 2-19. 100W Radio Mounting into Screw-Mounted Trunnion

### 2.2.2.2 Control Head and Remote Mount Cabling

For radios equipped with optional remote mount control heads, see [Figure 2-8](#) or [Figure 2-9](#). For radios equipped with remote handheld control heads, see [Figure 2-11](#) or [Figure 2-12](#). Choose a mounting location for the radio, considering accessibility, and control and antenna cable lengths.

#### 2.2.2.2.1 Remote W4, W5, W7, and W9 Model Control Head Installation

[Figure 2-20](#) shows each of the control head models.

If you are required to insert any of the replaceable buttons available with these radios, refer to the XTL 5000 Basic Service Manual (Motorola publication part number 6881096C73) for further information.



*Figure 2-20. W4, W5, W7, and W9 Control Heads*

The recommended mounting surfaces for the control unit are under the dashboard, on the transmission hump, or on the center console. [Figure 2-21](#) shows how the trunnion, control head, and cables should be installed for the W4, W5, and W7 control heads. [Figure 2-22](#) shows the installation for the W9 model control head.

**NOTE:** For control head models W4, W5, and W7 only: To seal the control head and meet U. S. MIL-STD-810D environmental specifications, covers are supplied for protection of the control head's rear connector pins. These covers are in the bag that is fastened to the remote control head's mounting trunnion.

If the VIP connector is not being used to connect options, the VIP protective cover should be installed as shown in [Figure 2-23](#). If the microphone is connected to the front of the control head, the MIC protective cover should be installed as shown in [Figure 2-23](#). Alternately, the microphone can be connected to the rear connector in place of the cover, and the control head will still be environmentally sealed.

An adjustable trunnion, which allows a number of mounting positions, is supplied for mounting the control unit. The installation must not interfere with the operation of the vehicle or its accessories, nor disturb passenger seating or leg room. The control head must be within convenient reach and viewing of the user.

If the trunnion is mounted on a plastic dashboard, all four mounting screws should penetrate the dashboard's supporting metal frame. If that is not possible, use a metal backing plate (not supplied) to strengthen the installation. Install the control unit as follows:

1. Use the control unit trunnion as a template to mark the mounting holes; drill 5/32" holes. If mounting on a plastic surface, use a metal backing plate.



2. Attach the trunnion bracket using all four 10-16" x 5/8" self-tapping screws provided.
3. Temporarily install the control head (adjusting for proper viewing angle) and fasten it to the trunnion with two wing screws. Test the installation to be sure the unit does not wobble or feel "spongy" when you press the buttons.

**NOTE:** Use all four mounting screws and be sure they are tightly screwed into metal — either a dashboard support bracket or a backing plate.

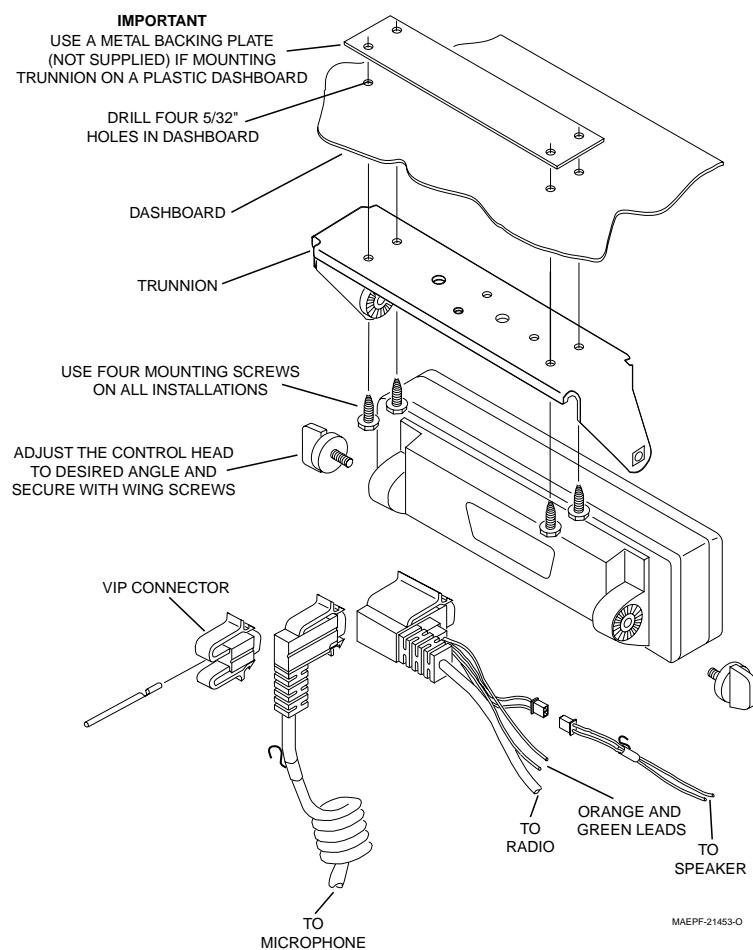
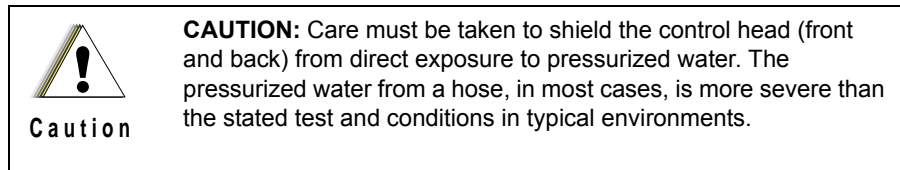


Figure 2-21. W4, W5, and W7 Control Head Installation Exploded View

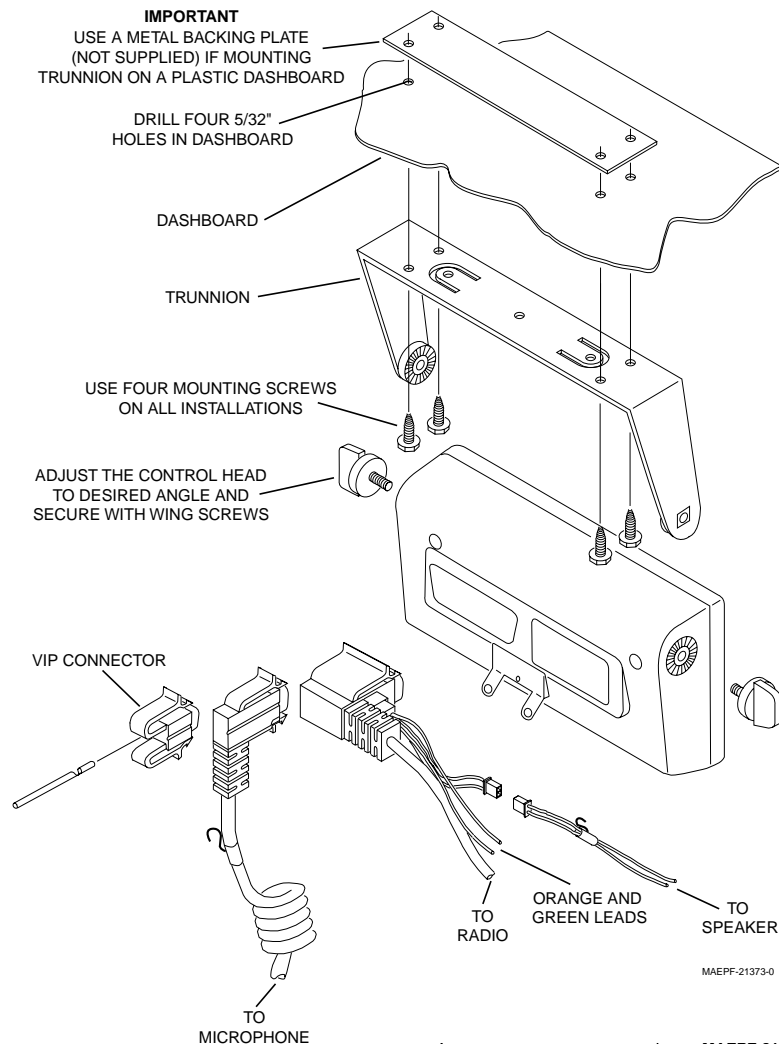


Figure 2-22. W9 Control Head Installation Exploded View

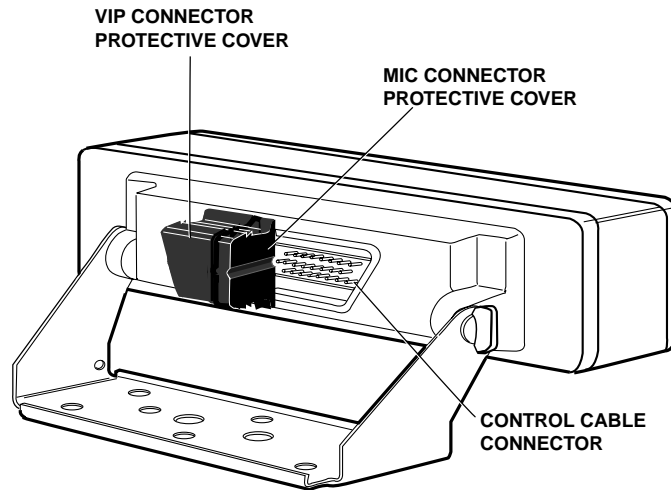


Figure 2-23. W4, W5, and W7 Control Head Rear View

### 2.2.2.2.2 Remote W3 Model Control Head Installation

Figure 2-24 shows the W3 control head model.



Figure 2-24. W3 Control Head

For the remote handheld control unit, mount the control cable with the screws provided. Connect the control cable as shown in Figure 2-11 or Figure 2-12. Connect the speaker to the accessory cable harness.

### 2.2.2.2.3 Remote Radio Control Cable Installation

The radio control cable should go from the rear of the control head to the radio. Route the cables in the vehicle's wiring troughs (where available) or route the cables where they are protected from pinching, sharp edges, or crushing. One suggested route is along one side of the driveshaft hump under the carpet. Use grommets in any holes where the cable passes through metal panels.

Figure 2-28 shows how the cables and components are connected.




Caution

**CAUTION:** To ensure a proper water seal, the jackscrews on the radio cable connector must be tight. If the accessory port on a remote mounted radio is not used, the cover gasket assembly (HLN6233\_) must be installed and torqued to 6 to 8 inch-pounds.

### 2.2.2.2.4 Transmit/Receive Control Cable Installation (W4, W5, W7, W9 Remote Control Heads)

The radio system includes two separate wires, one orange (66") and one green (106"). The HLN4952\_ Fuse Kit contains crimp-on ring tongue lugs and crimp-on spade lugs. The spade lugs allow connection to hot leads at the fuse block of the vehicle, and the ring tongue lugs permit attachment to screw terminals. Determine from Table 2-1 which radio functions are to be switched through the vehicle ignition switch.

A typical system allows the receiver to operate with the radio switched on while the ignition switch is in the off position, but the transmitter will not operate unless the ignition switch is in the on position. In this case, connect the orange wire to the accessory terminal of the ignition switch and the green wire to the ungrounded terminal of the battery or starter solenoid.



**Caution** **CAUTION:** DO NOT connect either lead to the ungrounded terminal of the battery until you have finalized the installation and have been instructed to do so.

Table 2-1. Radio Functions Connections

Conductor	Green	Orange	Green	Orange	Green	Orange
Connected to battery	X	X	X			
Connected to ignition switch				X	X	X
Ignition switch controls	No ignition switch control		Transmitter ignition switch controlled		Complete radio ignition switch controlled	
In any application, trim and strip wires. Crimp on ring lug for battery connections. For ignition switch connections, crimp on ring or spade lug (whichever is required).						

If either wire is to be connected in the vehicle's battery compartment, pass the end of the wire through the same firewall hole that the red radio power cable uses. At this point, install a fuseholder assembly in both wires (see [Figure 2-25](#)); the following procedures apply to both green and orange wires:

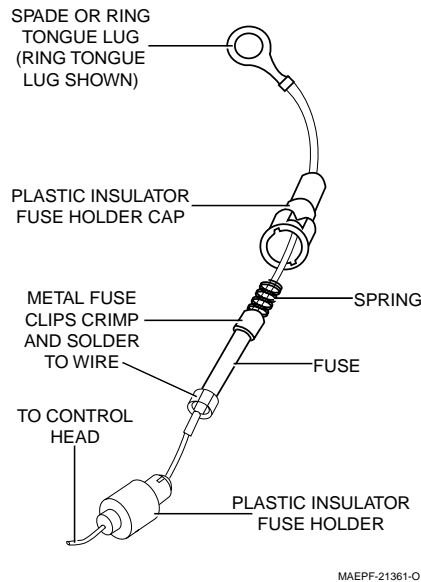


Figure 2-25. Fuseholder Assembly for Orange and Green Control Cables

- A fuse will need to be placed in-line for both the orange and green wires; consideration should be taken when deciding where to place the fuses so that they are easy to inspect. However, they should also be placed as close as possible to the battery or the vehicle's ignition switch terminal.
- After choosing the fuse locations, the fuse receptacles need to be installed. This is done by cutting the wire at the chosen location and stripping 1/8-inch of insulation on all loose ends. Make sure the wire will reach its intended destination.

- Slide the plastic insulator fuseholder over the end of the wire that is connected to the cable kit. Insert the stripped end of that wire into one of the metal fuse clips, and crimp it closed onto the exposed wire. Solder it for a better electrical contact.
- On the end of the loose wire, repeat the above crimping and soldering process with the remaining metal fuse clip.
- Temporarily, install the fuse into the fuse clips onto both sides of the fuse. Slide the spring over the remaining loose end of the wire. The spring should be followed by the plastic insulator fuseholder oriented as shown in [Figure 2-25](#). Slide the plastic insulator fuse holder together, by first making sure the spring slips inside the plastic insulator fuseholder cap. Now, twist the fuseholders until they lock together. After assembly proves successful, remove the fuses until instructed to install them later.

With the spring and plastic insulator fuseholder cap still in place on the loose portion of the wires (orange and green), insert the stripped end of the wire into the spade or ring tongue lug. Crimp and solder the lug as was done on the metal fuse clips above.

*Table 2-2. Fuse Assembly for Orange and Green Leads Parts List*

Motorola Part Number	Description
1482882A01	Insulator, Fuseholder Body
1482883A01	Insulator, Fuseholder Cap
2900136968	Lug
2900824456	Lug, Ring Tongue
2900865065	Lug, Ring Tongue
4182885A01	Spring, Compression; Fuse
4282884Q01	Clip, Fuse
6500020404	Fuse, 3-Amp 250V (Qty. 2)

#### 2.2.2.2.4.1 Transmitter Control Power Lead (Orange)

Connect the orange lead to the ignition switch (recommended) or directly to the battery hot supply (see [Figure 2-28](#)).

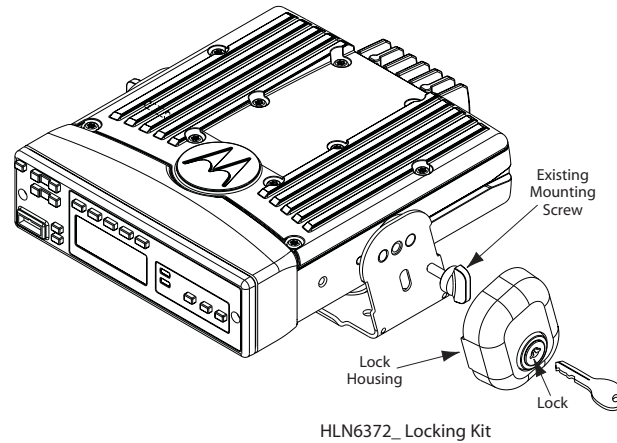
#### 2.2.2.2.4.2 Receiver Control Power Lead (Green)

Connect the green lead to the positive battery terminal (recommended) or the ignition switch (see [Figure 2-28](#)).

## 2.2.3 Locking Kit (Optional)

### 2.2.3.1 All Radios Except 100W

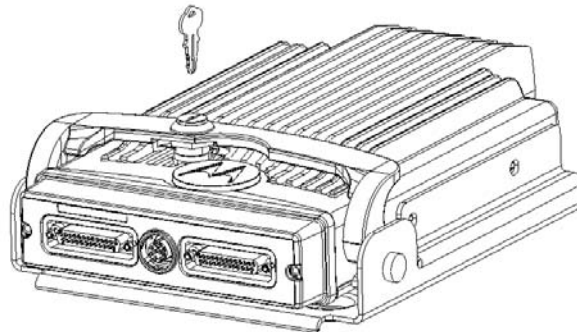
If an optional locking kit is used (shown in [Figure 2-26](#)), position the lock bottom housing on the trunnion before installing the radio mounting screws. Then slip the top lock housing on and remove the key. You can install the lock on either side of the radio, and by rotating it 180°, you can also install it on dash installations.



*Figure 2-26. Locking Kit (Optional) (Cannot Be Used for 100W Radios)*

### 2.2.3.2 100W Radios

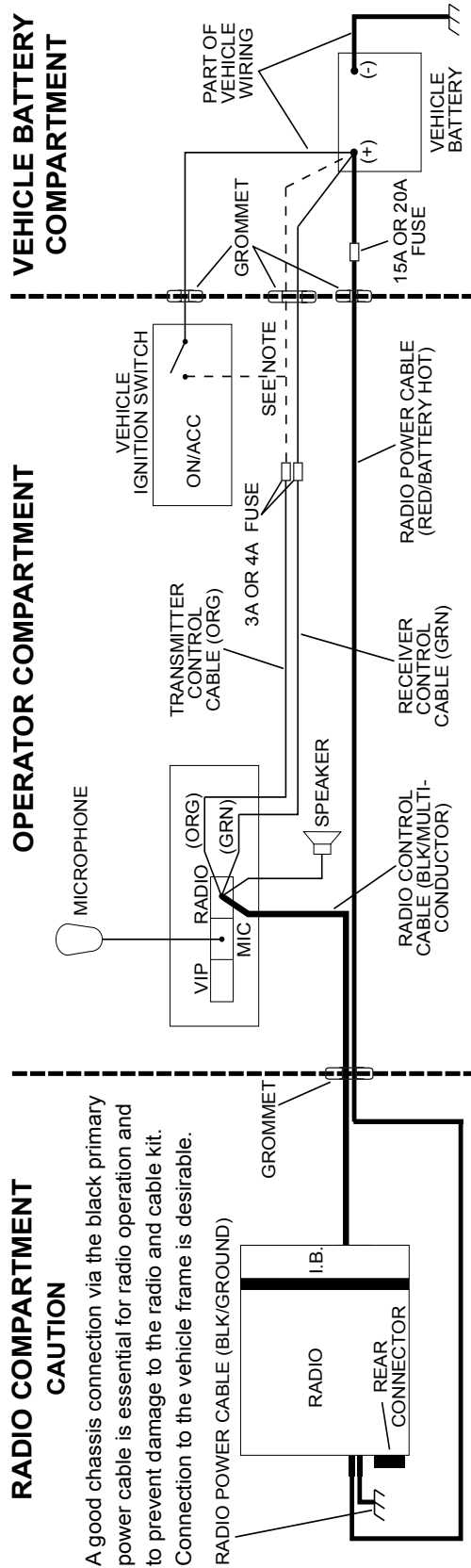
An integral lock is included in the quick release trunnion (HLN6909\_). The use of this lock is required for proper operation (see [Figure 2-27](#)).



*Figure 2-27. Lock Supplied with 100W Quick Release Trunnion*

## 2.3 Power Cable

Route the red radio power cable from the radio to the vehicle's battery compartment, using accepted industry methods and standards. Be sure to grommet the firewall hole to protect the cable. Remove the 15-amp (P/N 6580283E06) or 20-amp (P/N 6580283E07) fuse from the fuseholder and connect the red lead of the radio power cable to the positive battery terminal using the hardware provided as shown in [Figure 2-28](#) and [Figure 2-29](#). Connect the black lead to a convenient solid chassis ground point. DO NOT connect the black lead directly to the battery's negative terminal.



**RADIO COMPARTMENT**  
**CAUTION**

A good chassis connection via the black primary power cable is essential for radio operation and to prevent damage to the radio and cable kit. Connection to the vehicle frame is desirable.

**NOTE:**

For remote mount configurations, do not supply IGNITION at the radio's rear accessory connector. IGNITION should be supplied according to Table 2-1.

(See Table 2-1 for combinations of wiring the Green and Orange Cables)

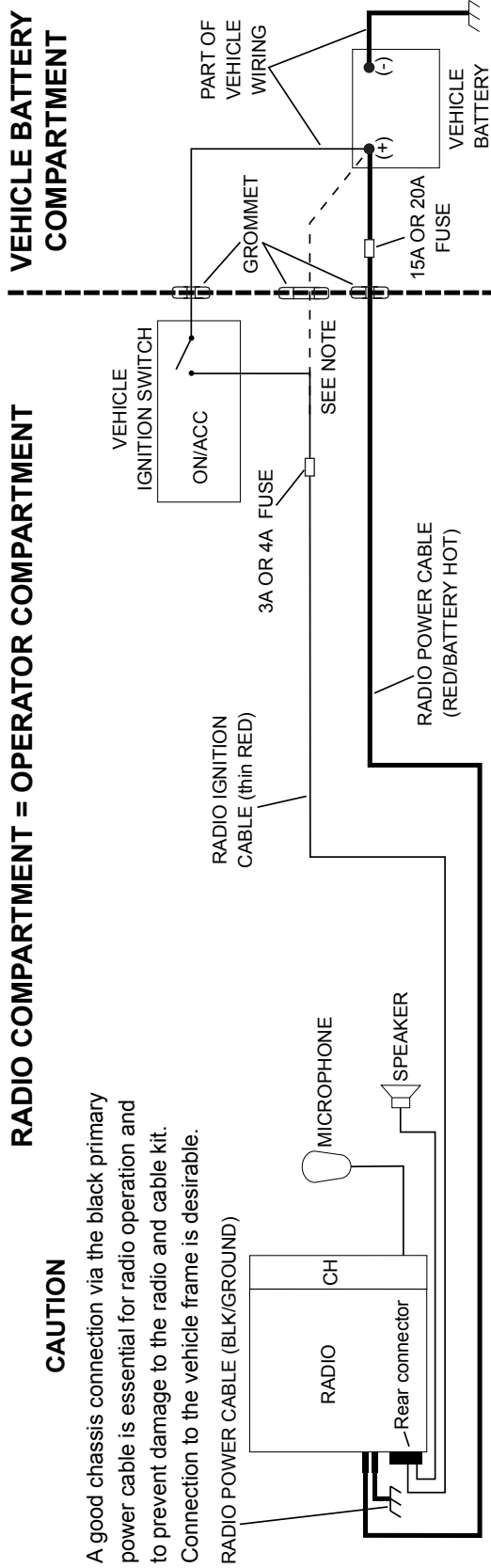
The orange and green power cables connect to either the vehicle battery or the ignition switch. Connect the green cable directly to the battery. The receiver operates when the control head is on. Connect the orange cable to the ignition switch. The transmitter operates only when the ignition switch is on.

**Alternate connections:**

Connecting both green and orange cables to the battery allows the control head to turn the receiver and transmitter on or off. Connecting both green and orange cables to the ignition switch allows the ignition switch to turn the receiver and transmitter on or off. (Alternator whine and other noise problems may occur. Isolate the green cable with a Motorola relay, part #59-00813674.)

MAEPF-27616-O

Figure 2-28. Cabling Interconnect Diagram for Remote Mount



**CAUTION**

A good chassis connection via the black primary power cable is essential for radio operation and to prevent damage to the radio and cable kit. Connection to the vehicle frame is desirable.

RADIO POWER CABLE (BLK/GROUND)

**NOTE:**

Caution: if you choose to connect the radio's IGNITION line directly to the car's battery, excess use of the radio when the car's ignition is not running (i.e. alternator running) could result in a slow discharge of the car's battery. This configuration allows the radio to operate with the car's ignition switch ON or OFF.

If the radio's IGNITION line is wired to the car's ignition switch, the radio will only function when the car's ignition switch is turned ON.

MAEPF-27646-O

Figure 2-29. Cabling Interconnect Diagram for Dash Mount (Cannot Be Used for 100W Radios)



## 2.4 Ignition Sense Cable

Motorola supplies an ignition sense cable and recommends that it be used with every *mobile* installation. The ignition sense cable allows the radio to be turned on and off with the vehicle ignition switch, and allows the radio to “remember” the state of the radio on/off switch, even if it is changed while the vehicle is off.

- For radio ON/OFF control independent of the ignition switch, connect the red ignition cable (orange for remote) (pin 25 of accessory connector) to “battery hot” at the vehicle fuse block (dash mount only).
- For radio ON/OFF control via the ignition switch, connect the red ignition cable (orange for remote) to “ignition” at the fuse block.

Note that for remote mount installations, the green and orange leads are connected, not the red lead from the rear of the radio. See [Table 2-1](#).

The ignition sense cable uses either a 3-amp (P/N 6580283E01) or 4-amp (P/N 6580283E02) fuse.

For other considerations when connecting the ignition cable, see the XTL 5000 Basic Service Manual (Motorola publication part number 6881096C73).

## 2.5 Antenna Installation

**IMPORTANT NOTE:** To assure optimum performance and compliance with RF Energy Safety standards, these antenna installation guidelines and instructions are limited to metal-body vehicles with appropriate ground planes and take into account the potential exposure of back seat passengers and bystanders outside the vehicle.

**NOTE:** For mobile radios with rated power of 7 watts or less, the only installation restrictions are to use only Motorola approved antennas and install the antenna externally on metal body vehicles. For mobile radios with rated power greater than 7 Watts, always adhere to all the guidelines and restrictions in section 2.5.1 below.

### 2.5.1 Selecting an Antenna Site/Location on a Metal Body Vehicle

1. **External installation** – Check the requirements of the antenna supplier and install the vehicle antenna external to a metal body vehicle in accordance with those requirements.
2. **Roof top** – For optimum performance and compliance with RF Energy Safety standards, mount the antenna in the center area of the roof.
3. **Trunk lid** – On some vehicles with clearly defined, flat trunk lids, the antennas of some radio models (see restrictions below) can also be mounted on the center area of the trunk lid. For vehicles without clearly defined, flat trunk lids (such as hatchback autos, sport utility vehicles, and pick-up trucks), mount the antenna in the center area of the roof.

**Before installing an antenna on the trunk lid,**

- Be sure that the distance from the antenna location on the trunk lid will be at least 85 cm (33 inches) from the front surface of the rear seat-back to assure compliance with RF Energy Safety standards.
- Ensure that the trunk lid is grounded by connecting grounding straps between the trunk lid and the vehicle chassis.

**IF THESE CONDITIONS CANNOT BE SATISFIED, THEN MOUNT THE ANTENNA ON THE ROOF TOP!**

#### 4. Mounting restrictions for certain radio models

**For 40 Watt UHF models and all 100W models, the 1/4 wave antenna** should be mounted **only in the center area of the roof**, not on the trunk lid, to assure compliance with **RF Energy Safety standards**.

5. Ensure that the antenna cable can be easily routed to the radio. Route the antenna cable as far away as possible from any vehicle electronic control units and associated wiring.
6. Check the antenna location for any electrical interference.
7. Ensure that any other mobile radio antenna on this vehicle is at least one foot (30.48 cm) away from this antenna.

**NOTE: Any two metal pieces rubbing against each other (such as seat springs, shift levers, trunk and hood lids, exhaust pipes, etc.) in close proximity to the antenna can cause severe receiver interference.**

### 2.5.2 Mini-UHF Connection

To ensure a secure connection of an antenna cable's mini-UHF plug to a radio's mini-UHF jack, their interlocking features must be properly engaged. If they are not properly engaged, the system will loosen. Using a tool (pliers or wrench) will not overcome a poor engagement, and is not recommended.

**NOTE:** Applying excessive force with a tool can cause damage to the antenna or the connector (e.g., stripping threads, deforming the collar or connector, or causing the connector to twist in the housing opening and break).

The mini-UHF connector tool (Motorola part number HLN6695\_) is designed to securely tighten the antenna plug–radio jack connection without damaging either the plug or the jack.

Motorola recommends the following sequence to ensure proper attachment of the system (see [Figure 2-30](#) and [Figure 2-31](#)):

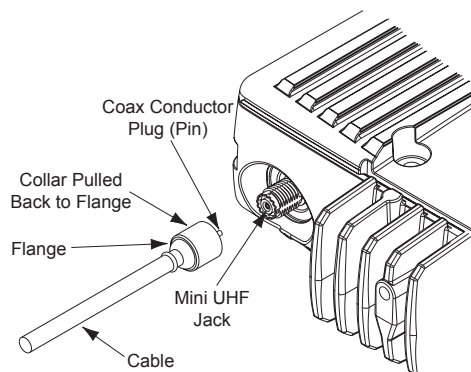


Figure 2-30. Mini-UHF Connection (Cannot Be Used for 100W Radios)

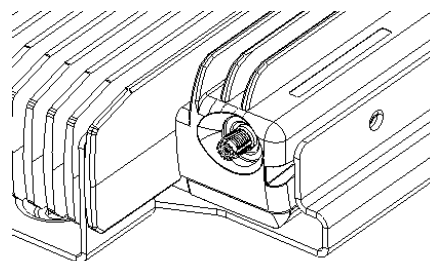


Figure 2-31. Mini-UHF Connection (100W Radios Only)

1. Make sure that there is sufficient slack in the antenna cable.
2. Make sure that the collar of the antenna cable plug is loose and does not bind.
3. Make sure that the mini-UHF jack is tight in the radio housing.
4. Slide the collar back against the flange. Insert the antenna cable plug's pin fully into the radio jack, but do not engage the threads.
5. Ensure that the plug's and jack's interlocking features are fully seated. Check this by grasping the crimp on the cable jack, rotating the cable, and noting any movement. If the features are seated correctly, there should be NO movement.
6. Finger-tighten the antenna cable plug's collar onto the radio's jack.
7. Give a final tug, by hand, to the collar, and retighten by hand as firmly as possible.
8. Slip the mini-UHF connector tool over the coaxial cable, using the gap between the tool's legs (see [Figure 2-32](#)). Then, slide the tool up onto the plug's knurled collar. Squeeze the two straight legs of the tool firmly together between your thumb and index finger and turn clockwise (as shown) to tighten the collar. It should take 1/4 turn or less. When you feel the tool slipping on the collar, the connection has been properly tightened. The tool can also be used to loosen a tight collar.

**NOTE:** DO NOT use pliers or any other device to grip the tightening tool. It has been designed to allow you to achieve the proper torque on the collar without overtightening. Overtightening the collar can damage the connector and the radio.

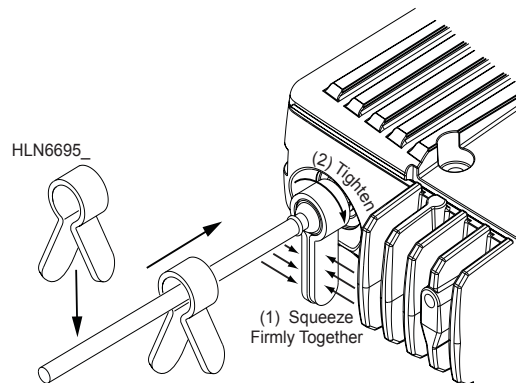


Figure 2-32. Mini-UHF Connector Tool (Cannot Be Used for 100W Radios)

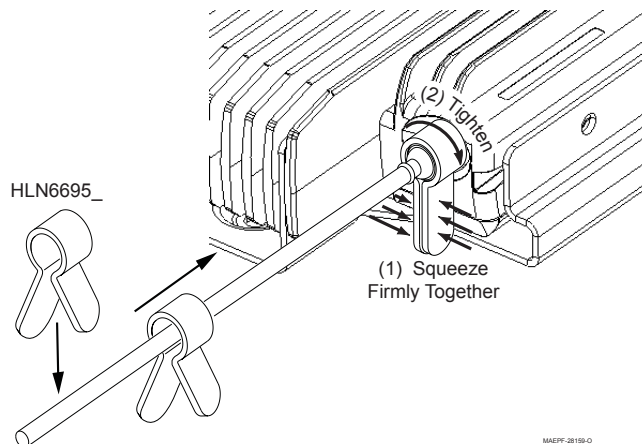
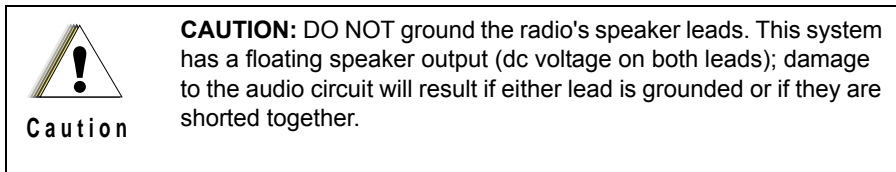


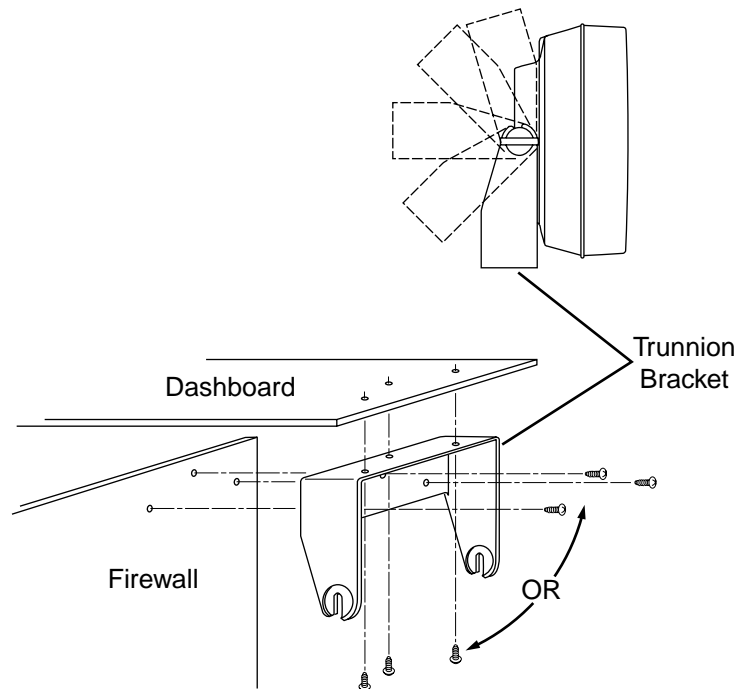
Figure 2-33. Mini-UHF Connector Tool (100W Radios Only)

## 2.6 Speaker



The speaker kit includes a trunnion bracket that allows the speaker to be mounted in a variety of ways. With the trunnion bracket, the speaker can mount permanently on the dashboard or in accessible firewall areas. The trunnion allows the speaker to tilt for best operation. Mount the speaker out of the way so that it will not be kicked or knocked around by the vehicle occupants. Mount the speaker as follows:

1. Use the speaker mounting bracket as a template to mark the mounting hole locations.
2. Use the self-drilling screws provided to fasten the trunnion.
3. Attach the speaker and fasten to the trunnion with two wing screws.
4. Route the speaker wires under the carpet or floor covering, or behind the kick panels. Be sure the wires are out of the way and will not be snagged and broken by the occupants of the vehicle.



MAEPF-25764-O

Figure 2-34. Speaker Mounting

## 2.7 Microphone Hang-Up Clip

### 2.7.1 Standard Hang-Up Clip

The hang-up clip must be within reach of the operator(s). Measure this distance before actually mounting the bracket. Since the bracket has a positive-detent action, the microphone can be mounted in any position. The microphone hang-up clip must be grounded.

---

Use the hang-up clip as a template to locate the mounting holes. To avoid interference when removing the microphone, install the flathead screw in the top clip hole.

### 2.7.2 Handheld Hang-Up Box (W3 Model)

Use the hang-up box (HUB) as a template to locate the mounting holes. Be sure the HUB will be within easy reach of the operator. Route the control wire with the male pin to the accessory cable connector at the rear of the radio or cable harness as shown in [Figure 2-10](#), [Figure 2-11](#), and [Figure 2-12](#). Open the accessory cable connector and connect the HUB control wire to location 3 of the accessory connector. Connect the other control wire from the HUB to a convenient solid chassis ground point.

## 2.8 Completing the Installation

Complete the installation by mounting the radio in its trunnion, connecting the speaker and power wires, and plugging in the microphone cable/handheld control unit. Be sure to connect the microphone S-hook to the holes in the trunnion provided (see [Figure 2-17](#)) for strain relief.

## Notes

---

## Chapter 3 Options and Accessories Installation

### 3.1 VIP Overview

The vehicle interface port (VIP) allows the control head to operate outside circuits and to receive inputs from outside the control head. There are three VIP outputs which are used for relay control. There are also three VIP inputs which accept inputs from switches.

#### 3.1.1 VIP Output Connections

The VIP output pins are on the back of the control head (J0103), or the rear accessory panel (J2). The pin information is shown in [Figure 2-8](#) and [Figure 3-9](#), respectively. Use these connections to wire control relays. One end of the relay should connect to switched B+ voltage, while the other side connects to a software controlled ON/OFF switch inside the control head. The relay can be normally on or normally off depending on the configuration of the VIP outputs. There are three VIP output connections, as follows:

*Table 3-1. VIP Output Connections*

	J0103		J2		J3	
VIP Number	SW B+ Pin Number	On/Off Switched Pin Number	SW B+ Pin Number	On/Off Switched Pin Number	SW B+ Pin Number	On/Off Switched Pin Number
1	19	2	24	18	4	12
2	18	1	24	19	4	3
3	35	34	NA	NA	NA	NA

The function of these VIP outputs can be field programmed in the control head. Typical applications for VIP outputs are external horn/lights alarm and horn ring transfer relay control. For further information on VIP outputs, see the control head programming manual.

---

### 3.1.2 VIP Input Connections

The VIP input pins are only available on the back of the control head. These connections control inputs from switches. One side of the switch connects to ground while the other side connects to a buffered input on the control head. The switch can be normally closed (NC) or normally open (NO) depending on the configuration of the VIP inputs. There are three VIP input connections, as follows:

Table 3-2. VIP Input Connections

	J0103		J2		J3	
VIP Number	SW B+ Pin Number	On/Off Switched Pin Number	SW B+ Pin Number	On/Off Switched Pin Number	SW B+ Pin Number	On/Off Switched Pin Number
1	21	4	NA	NA	NA	NA
2	20	3	NA	NA	NA	NA
3	36	37	NA	NA	NA	NA



#### Caution

**CAUTION:** XTL 5000 radios equipped with the following features are capable of transmitting automatically, even if the radio is turned off:

- MDC Status/Message
- MDC Emergency
- Trunking Products
- Automatic Vehicle Location
- Other Special Data Products

All XTL 5000 have accessory connector pins 14 and 15 connected together to allow the radio to power down. Opening this connection by REMOVING the accessory connector, or otherwise failing to maintain a normally closed path, could, if left unchecked, drain the vehicle battery, and possibly cause transmissions to occur.

## 3.2 Remote-Mount Accessory Installations for W4/5/7/9 Models

**NOTE:** Remove JU629 (J5 emergency to ground) and JU618 (emergency to pin 13 of J6) from the radio interconnect board. Do not remove JU628 (pin 13 of J6 to ground). Other options (such as siren/PA) may require this.

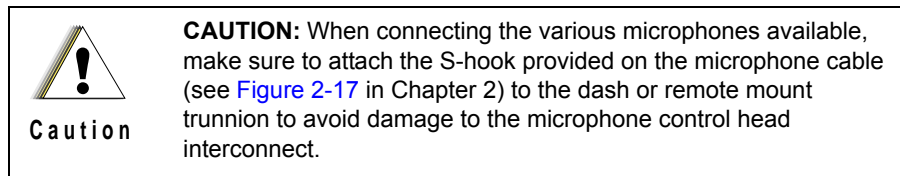
Remote-mount configurations offer more flexibility with accessories connections. There are two methods of terminations that can be combined in parallel:

1. The first and most convenient method is to connect to the rear of the control head using the J1003 connector. This connector, unlike the accessory connector assembly, has female terminals. These terminals are supplied crimped to wires in all Motorola-approved accessories.
  - a. Insert the female terminal into the J1003 connector housing in the appropriate location and connect the J1003 connector into the rear of the control head (see [Figure 3-1](#)). A removal tool is available through Motorola. ([See Appendix A: Replacement Parts Ordering.](#))



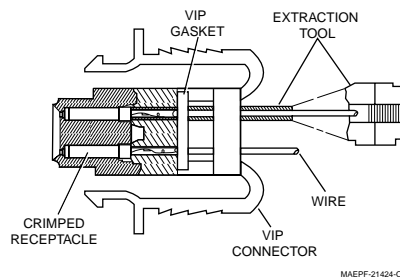
- b. Secure all wires using tie straps or appropriate electrical tape to insure the wire's safety. Any wires passing through the vehicle's metal panels must be protected with grommets. This will prevent the shaving of the wire's protective jacket, which will result in a short.
2. The second method is to use the accessory connector assembly (not supplied with the remote mount configuration). The process is similar to the dash mount process (see [Section 3.3 on page 3-4](#)). DO NOT connect two of the same accessories simultaneously at the rear of the control head and the accessory connector assembly (e.g., two emergency switches would both need to be engaged in order to operate).

### 3.2.1 Emergency Pushbutton, Footswitch, Horn Relay, and Light Relay Installation



Perform the following installation procedure:

1. Select an appropriate place to mount the option or accessory hardware.
2. Connect the male-pin control leads (wires) to the VIP connector in the appropriate location (see [Table 3-1](#) and [Table 3-2](#)). [Figure 3-1](#) shows how wires are plugged into the connector and how to use an extraction tool to remove wires.
3. Route the accessory-to-control head cables under floor coverings or behind panels so that the vehicle occupants do not snag or break the wires.



*Figure 3-1. VIP Connector Detail*

#### 3.2.1.1 Emergency Pushbutton or Footswitch Installation

Mount the switch using the hardware that comes with the kit. Connect the emergency switch wires to a ground pin and a VIP IN pin on the VIP connector.

##### 3.2.1.1.1 W9 Control Head

1. Remove JU23 (emergency to ground) from the W9 control head.
2. Connect a jumper wire between pin 27 (emergency) and pin 3 (VIP IN 2) of P103 inside the W9 control head.
3. Remove R84 (if installed) from the W9 control head.
4. Install the emergency switch between pins 3 (VIP IN 2) and 20 (ground) of the control head back connector.

#### 3.2.1.1.2 W4/5/7 Control Head

1. Remove JU1008 (emergency to ground) from the control head remote back housing (HLN6432\_).
2. Place JU1007 (emergency to VIP IN 2) on the control head remote back housing (HLN6432\_).
3. Remove R84 (if installed) from the W4/5/7 control head.
4. Install the emergency switch between pins 3 (VIP IN 2) and 20 (ground) of the control head back connector.

#### 3.2.1.2 Horn (External Alarm) Relay Installation

Mount the horn relay in a suitable location (normally under the dash). Connect the relay contacts across the horn ring switch, typically found in the steering column. Connect the two control wires to a SW B+ pin and a VIP OUT pin on the VIP connector.

#### 3.2.1.3 Lights (External Alarm) Relay Installation

Mount the light relay in a suitable location (normally under the dash). Connect the relay contacts across the headlamp ON/OFF switch. Connect the two control wires to a SW B+ pin and a VIP OUT pin on the VIP connector.

### 3.3 Dash-Mount Accessory Installations for W4/5/7/9 Models

**NOTE:** This configuration is not applicable for 100W radios.

For dash-mounted configurations, the accessories must be installed through the accessory connector assembly that is located on the rear of the radio, adjacent to the power connector. Motorola-approved accessories are supplied with male terminals crimped to a 20-gauge wire specifically designed to fit the plug of the accessory connector assembly.

Insert the male terminal into the accessory connector assembly in the appropriate location and connect the accessory connector assembly in the rear accessory port (see [Figure 3-9](#)). Do not use other generic terminals in the plug. Generic terminals can cause electrical intermittencies and may cause damage to the plug.

### 3.3.1 MDC Emergency Pushbutton or Footswitch Installation

Mount the footswitch using the hardware that comes with the kit. Open the accessory cable connector housing; remove the jumper wire. Connect the emergency switch wires to pins 14 and 15 (see Figure 3-2). Close the connector housing; route the finished cable from the switch location to the control head location.

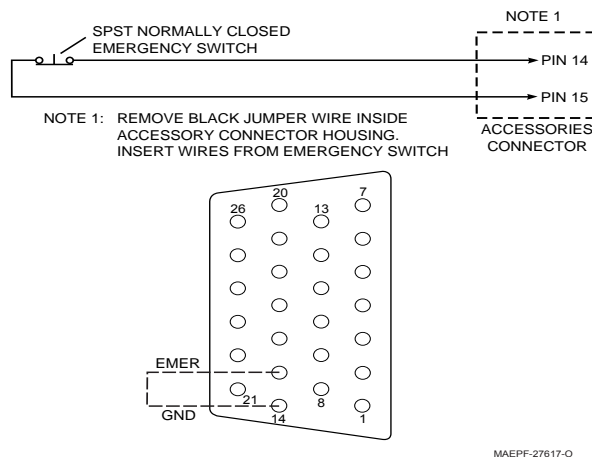


Figure 3-2. Emergency Switch Wiring Diagram for W4/5/7/9

### 3.3.2 Horn and Lights (External Alarms) Relays

For installations that use the horn/lights option, select a suitable location for mounting (normally under the dash) and, referring to Figure 3-3, perform the following procedure:

**NOTE:** The handheld control head can have a horn or light option, but not both. Control wires for either option should be connected to pins 18 and 24 of the accessory connector.

1. Horn Relay—Connect the relay contacts across the horn ring switch, typically found in the steering column. Open the accessory cable connector and connect the two control wires (male pins) into locations 18 and 24 of the connector.
2. Lights Relay—Connect the relay across the headlamp ON/OFF switch, typically found in the steering column. Open the accessory cable connector and connect the two control wires (male pins) into locations 19 and 24 of the accessory connector.

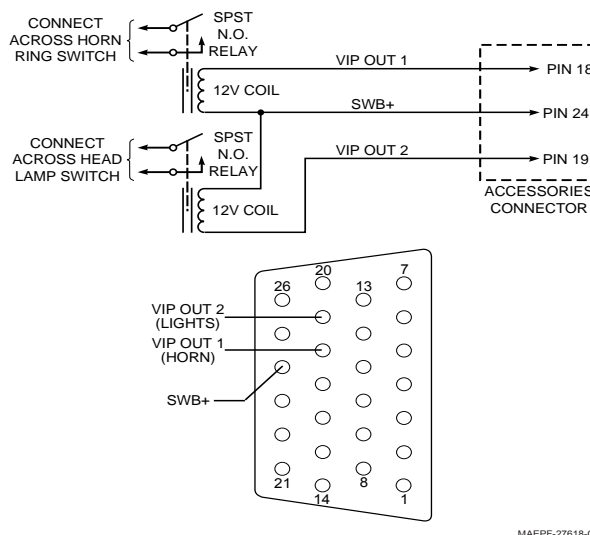


Figure 3-3. Horn/Light Wiring Diagram for W4/5/7/9

### 3.4 Remote-Mount Accessory Installations for W3 Model

Accessories for the W3 remote mount handheld control head are connected through the J3 connector located in the remote cable assembly. It requires a different P3 connector (supplied). This P3 connector is a 15 pin D-sub (see [Figure 2-11](#) in Chapter 2), unlike the 26-pin accessory connector assembly (see [Figure 3-9](#)). The terminals that are required are the same for both. Therefore all accessories will be compatible with all XTL 5000 radios.

1. Remove P3 connector from remote harness by pulling it out.
2. Remove the two screws holding the 15-pin D-sub.
3. Loosen the strain-relief screw located adjacent to the wire-exiting hole in the back of the connector cover.
4. Extract the D-sub by pushing the wires into the cover.
5. Route the accessory wires through the hole and insert the male pin into the appropriate location. A tool is available to remove the male terminals if service is required. (See [Appendix A: Replacement Parts Ordering](#).)
6. While holding the cover, pull each wire to achieve a uniform slack, then pull all wires until the D-sub is seated against the cover.
7. Reattach the two screws to secure the D-sub, and tighten them appropriately.
8. Tighten the strain-relief screw adjacent to the wire outlet hole appropriately.
9. Reconnect the P3 connector onto the remote cable assembly.
10. Secure all wires using tie straps or electrical tape to prevent damage or shorting.

#### 3.4.1 MDC Emergency Pushbutton or Footswitch Installation for W3 with Remote Cable Assembly

Mount the footswitch using the hardware that comes with the kit. Open the accessory cable connector housing; remove the jumper wire. Connect the emergency switch wires to pins 2 and 8 (see [Figure 3-4](#)). Close the connector housing; route the finished cable from the switch location to the J3 connector location.

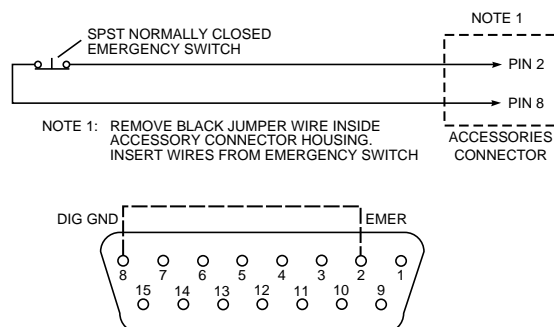


Figure 3-4. Emergency Switch Wiring Diagram for W3

#### 3.4.2 Horn and Lights (External Alarms) Relays Installation for W3 with Remote Cable Assembly

For installations that use the horn/lights option, select a suitable location for mounting (normally under the dash) and, referring to [Figure 3-5](#), perform the following procedure:

**NOTE:** The handheld control head can have a horn or light option, but not both. Control wires for either option should be connected to pins 12 and 4 of the accessory connector.

1. Horn Relay—Connect the relay contacts across the horn ring switch, typically found in the steering column. Open the accessory cable connector and connect the two control wires (male pins) into locations 12 and 4 of the connector.
2. Lights Relay—Connect the relay across the headlamp ON/OFF switch, typically found in the steering column. Open the accessory cable connector and connect the two control wires (male pins) into locations 3 and 4 of the accessory connector.

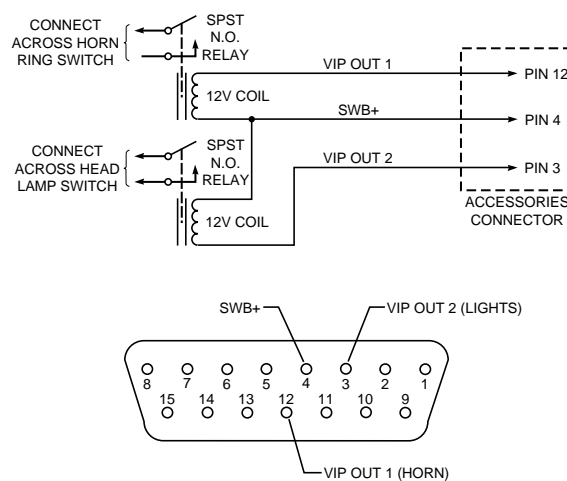


Figure 3-5. Horn/Light Wiring Diagram for W3

### 3.5 Accessory Connector Assembly Details (P2)

**NOTE:** This assembly is not applicable for 100W radios.

The XTL 5000 accessory connector assembly is mounted on the right rear of the radio, opposite the antenna and adjacent to the power connector. It is fastened to the radio via jackscrews and held together by the two cover screws. It is a multi-functional connector that allows for many different types of adaptations. All approved accessory wires are securely strain-relieved through the exiting slots at the back of the accessory connector assembly. The terminations that are supplied with all accessories are designed to be fully engaged and locked into the plug connector (P/N 6680163F01). They can also be detached for service with the assistance of a terminal removal tool. The accessory connector assembly can be serviced multiple times for future installation upgrades.

The accessory connector assembly, supplied with every XTL 5000 dash-mounted radio, is equipped with a 26-pin plug assembly, two covers, two jackscrews, two cover screws, one emergency jumper, one ignition sense cable assembly, and one speaker pigtail. The jumper is provided to complete the circuit for emergency mode. If this circuit becomes open, the radio will be set to emergency mode.

#### 3.5.1 Installation into the Vehicle

**CAUTION** Before installing any electrical equipment, check the vehicle manufacturer's user manual.  
The installation of this device should be completed by an authorized servicer or installer.

1. Disconnect the negative terminal from the vehicle's battery. Make sure that the battery cable is secured such that it will not power the vehicle's electrical system.
2. Place the accessory connector assembly in the approximate location for the permanent installation of the radio. Allocate a sufficient service loop for ease of removing and servicing the radio.

3. Route the ignition wire to either an ignition switch circuit or a power source that is always hot (see [Section 2.4 on page 2-21](#)). In either case, verify that the source will be capable of withstanding a load of 4 amps (see the wiring diagrams in the vehicle manufacturer's service manual). Always use the supplied fuse holder to prevent damage to the radio.
4. Secure wires with tie straps or electrical tape to prevent damage to or entanglement of the wire. If wires are passed through drilled holes through firewalls or through any other metal panels within the vehicle, the holes must be fitted with a rubber grommet (not supplied) to prevent shaving of the wire's protective jacket, which could cause electrical shorting.

**NOTE:** The speaker pigtail is connected to the speaker assembly. Be sure not to route the speaker pigtail or wires through any areas that could cause potential damage to them. The audio system is a floating ground; therefore, any speaker lines that come into contact with the ground can cause damage to the radio. Check all wires for electrical shorts; properly repair any electrical shorting issues immediately.

5. If there are no issues, reconnect the battery. Follow the vehicle manufacturer's instructions for the proper procedure.

### 3.5.2 Installation onto the Radio

The accessory connector assembly is fastened to the back of the radio by jackscrews. The radio should be fully mounted and secured in its trunnion prior to connecting the accessory connector assembly to the radio. Be sure when connecting the accessory connector assembly to the radio that there are no foreign materials in the mating surfaces. Do not force the connector on. It should slide on with very little resistance. Be sure that both jackscrews are engaged in their threaded holes before tightening them. Finger tighten the jackscrews securely to prevent loosening.

### 3.5.3 Disassembly and Assembly

#### 3.5.3.1 Disassembly

1. Disconnect the negative terminal from the vehicle's battery. Make sure that the battery cable is secured such that it will not power the vehicle's electrical system. See [Figure 3-6](#).
2. Unscrew both jackscrews completely.
3. Pull the accessory connector assembly out from the radio.
4. Loosen both cover screws, but do not remove them completely.
5. Pull the jackscrews away from the plug and hold them back.
6. Pry apart the accessory connector assembly covers.
7. Attach any new wire to its proper location by pushing in the male terminal. When you hear a pop, the wire is engaged. To verify that the wire is engaged, tug gently on the wire and be sure it does not come out. Do not overload the wire: severe damage will result to the plug.

#### 3.5.3.2 Assembly

1. Place the plug in one cover. Be sure that the flange of the plug is in the slot of the cover. See [Figure 3-6](#).
2. Push the jackscrew through the plug to hold it in.
3. Position each wire across the strain-relief features in the cover. Avoid damaging loads on the plug by allowing some slack in each wire in the accessory connector assembly's wire chamber.
4. Place the second cover onto the plug. Be sure that the flange is protruding through both covers.

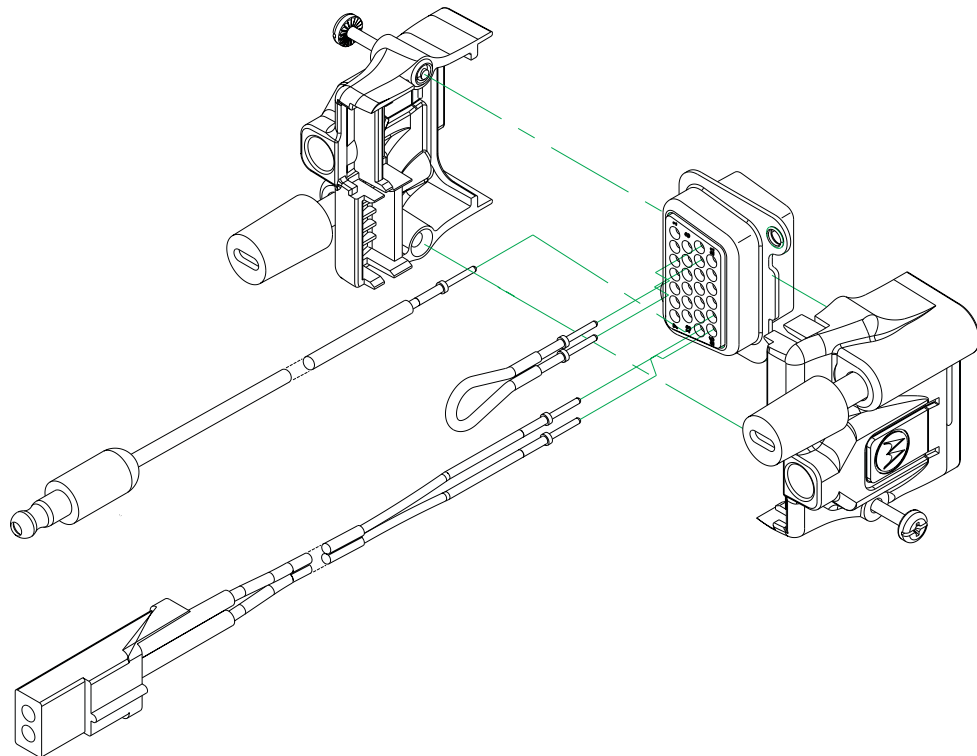


Figure 3-6. Exploded View of Accessory Connector Assembly (P2)

5. Squeeze the covers together bending the wires in the strain-relief features. You may need a pair of pliers to seat the assembly covers.
6. Once the covers are fully seated, fasten them with the cover screws. Tighten the screws firmly but do not over-tighten them. Be sure none of the wires are pinched.
7. Reattach the accessory connector assembly to the back of the radio and fasten it by finger-tightening the jackscrews to prevent any loosening.

### 3.5.4 Adapter Cable

If you are planning on installing an XTL 5000 radio as a replacement for an ASTRO Spectra radio, the following adapter cables are available:

HKN6158_	Cable, Audio Adapter Kit
HKN6159_	Cable, Data Adapter Kit

Use the HKN6158\_ audio adapter kit cable if your vehicle was formerly wired for an ASTRO Spectra or ASTRO Spectra Plus radio, and used the rear cable pins as shown in [Figure 3-7](#):

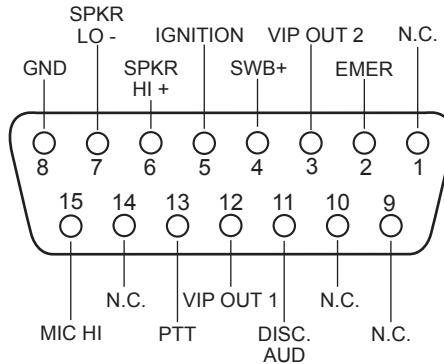


Figure 3-7. Rear Accessory Connector Audio Configuration

Use the HKN6159\_ data adapter kit cable if your vehicle was formerly wired for an ASTRO Spectra or ASTRO Spectra Plus radio, and used the rear cable pins as shown in [Figure 3-8](#):

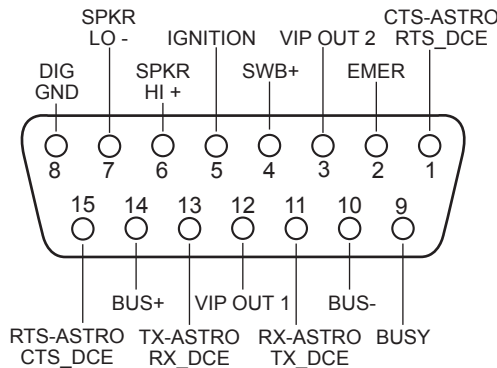


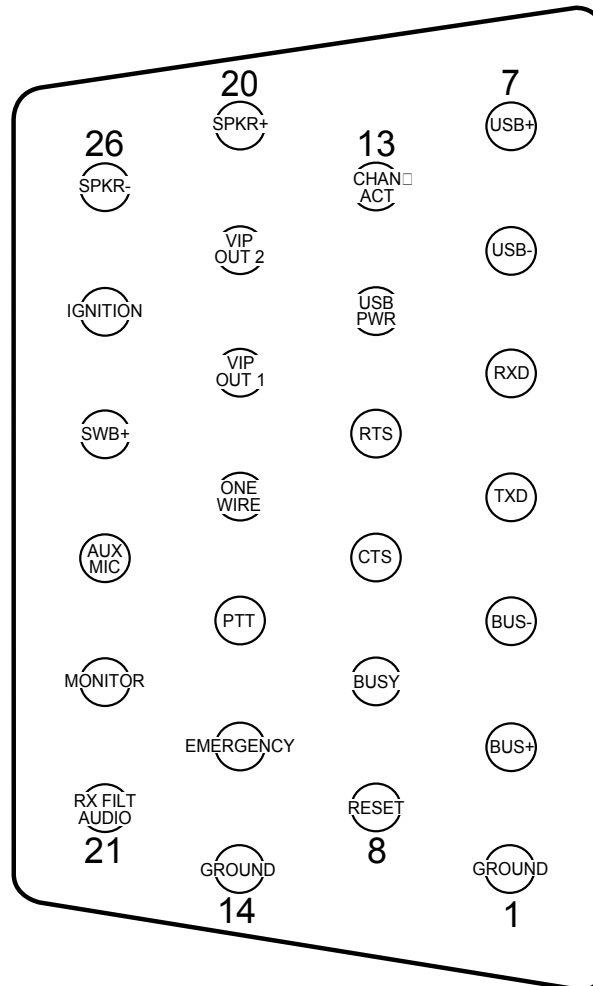
Figure 3-8. Rear Accessory Connector Data Configuration

It is highly recommended that you attach the correct adapter. Installing the wrong adapter may cause damage to the data communication circuitry inside your radio. If you are unsure of the pinout of your former wiring harness, please consult your ASTRO radio installation technician.



### 3.5.5 Rear Accessory Jack Connection

Figure 3-9 shows the complete pin configuration for the J2 rear accessory jack, and Table 3-3 explains the functions of each of the pins.



MAEPF-27619-O

Figure 3-9. Rear Accessory Jack Pin Configuration (J2) (Radio Side)

Table 3-3. Rear Accessory Jack Pin Functions

Pin No.	Pin Name	Pin Function	Pin No.	Pin Name	Pin Function
1	GND	Ground	14	GND	Ground
2	BUS+	SB9600 BUS+ Data	15	EMERGENCY	Emergency <sup>1</sup>
3	BUS-	SB9600 BUS- Data	16	PTT*	Push To Talk <sup>2</sup>
4	TXD	RS232 Transmit Data	17	ONE WIRE	One-Wire Data
5	RXD	RS232 Receive Data	18	VIP OUT 1	Vehicular Interface Output
6	USB-	USB - (Data)	19	VIP OUT 2	Vehicular Interface Output
7	USB+	USB + (Data)	20	SPKR+	Speaker + (3.2 ohm minimum impedance)
8	RESET	SB9600 RESET	21	RX FILT AUDIO	Receive Filtered Audio Out <sup>3</sup>
9	BUSY	SB9600 BUSY	22	MONITOR	Monitor Overrides PL <sup>4</sup>
10	CTS	RS232 Clear-To-Send	23	AUX MIC	Rear Microphone Input <sup>5</sup>
11	RTS	RS232 Request-To-Send	24	SW B+	Switched Battery Voltage
12	USB PWR	USB Power (5V from USB accessory/cable)	25	Ignition	Ignition Sense <sup>6</sup>
13	CHAN ACT	Channel Activity (qualified received signal)	26	SPKR-	Speaker - (3.2 ohm minimum impedance)

<sup>1</sup> This pin must be connected to ground by jumper on accessory cable if emergency is disabled, even if disabled by CPS. If enabled, this line must be grounded via a switch, which is normally closed. The emergency debounce time is programmable via CPS.

<sup>2</sup> Pulling this line to ground will activate PTT function, activating the AUX\_MIC input.

<sup>3</sup> Fixed level (independent of volume level) received audio signal, including alert tones. Flat or de-emphasis are programmed by CPS. Output voltage is approximately 100 mVrms per 1kHz of deviation. The DC offset is 1.4V.

<sup>4</sup> This output is used to detect when a rear microphone accessory is taken off-hook, to override PL to alert the user to busy traffic prior to transmitting.

<sup>5</sup> This microphone signal is independent of the microphone signal on the front microphone connector. The nominal input level is 80mVrms for 60% deviation when used for motorcycle, but can also support 300 mVrms for future APCO accessories. The DC impedance is 660 ohms and the AC impedance is 560 ohms.

<sup>6</sup> See [Table 2-1](#) in Chapter 2 for wiring options.

**Note:** Please see the XTL 5000 Basic Service manual (Motorola publication part number 6881096C73) for more detailed descriptions of these pins.

Table 3-4. Rear Connector and Front Connector Naming Schemes

J2 Pin Number	J2 Pin Name <sup>1</sup>	Pin Alternate Name	EIA Compatible Name at Rear Connector J2 <sup>2</sup>
J2-4	UARTA_TX	No change	TX_DCE
J2-5	UARTA_RX	No change	RX_DCE
J2-10	UARTA_CTS	Becomes RTS	RTS_DCE
J2-11	UARTA_RTS	Becomes CTS	CTS_DCE

<sup>1</sup> As indicated for front and rear connectors

<sup>2</sup> Pin function as a true "DCE" device according to EIA standard

Table 3-5. How to Connect to a Computer<sup>1</sup> (DTE Device)

Radio Pin Direction	DB9 (Female) Serial Port Connector <sup>2</sup> = DCE Interface	DB9 (Male) Serial Port Connector = DTE Interface	Data Device Pin Direction
Output	TX_DCE = pin 2	pin 2 = RX_DTE	Input
Input	RX_DCE = pin 3	pin 3 = TX_DTE	Output
Output	RTS_DCE = pin 8	pin 8 = CTS_DTE	Input
Input	CTS_DCE = pin 7	pin 7 = RTS_DTE	Output

<sup>1</sup> EIA standard

<sup>2</sup> The DB9 (female) serial port cable can be added to the P2 rear accessory cable (Figure 3-6).

**Note:** TX to RX and RTS to CTS, not "same to same" (e.g., not TX to TX).

## Notes

---

# Chapter 4 Motorcycle Radio Installation

**NOTE:** This installation is not applicable for 100W radios.

## 4.1 Motorcycle Radio Description

The motorcycle model includes all the same components in the standard radio, with the exceptions listed in the model charts in the XTL 5000 Basic Service Manual (Motorola publication part number 6881096C73). The following paragraphs describe the unique items provided with the motorcycle models.

**NOTE:** The XTL 5000 Basic Service Manual includes complete parts lists and parts numbers for all parts shown in the exploded views in this chapter.

### 4.1.1 Transceiver Enclosure

The transceiver is mounted in the weather-resistant enclosure that consists of a bottom housing and a hinged top cover. The top cover has a locking latch that requires a key to open. The enclosure is mounted above the rear motorcycle wheel, oriented so that the lock is forward and the hinged cover opens toward the rear of the motorcycle. The bottom housing has a grommeted hole for cable entry and weep holes to permit water drainage.

The enclosure is mounted on the motorcycle with a universal mounting plate and shock and vibration isolators. A large, braided ground-strap (installed between the mounting plate bolts and the motorcycle frame) grounds the transceiver.

### 4.1.2 Control/Display Unit

All radio functions, except push-to-talk (PTT), are activated from the control head, which also is weather-resistant. The control head and the external speaker are mounted for easy access near the center of the handlebars. The control head is positioned for unobstructed viewing, and it may be tilted on the horizontal axis for ease of viewing. The microphone cable port on the front of the control head is plugged and is not used.

### 4.1.3 Control Head Cable

The control-head cable connects the control head to the transceiver. This 2.8-meter cable is routed along the motorcycle's frame and has weather-resistant connections at both ends. Excess cable is coiled under the transceiver inside the weather-resistant enclosure.

Each end of the cable is strain-relieved with jackscrews at the control head and the transceiver. The cable is shielded to reduce the effects of radio frequency interference and ignition noise.

### 4.1.4 Microphone

A weather-resistant, palm microphone and coiled cord plug into a pigtail connector on the control cable. The microphone attaches to a hang-up bracket located within easy reach of the motorcycle rider. The coiled cord is long enough to be operated by someone standing next to the motorcycle, yet short enough to not interfere with the motorcycle's steering or operation.

---

### 4.1.5 External Speaker

A 3.2-ohm, 10-watt-rated-audio-power, external speaker is mounted on the front of the motorcycle. The speaker cable is routed along the motorcycle frame to the transceiver's rear accessory connector. A sealed, weather-resistant, speaker-muting (toggle) switch is mounted on top of the speaker.

The external speaker connects to the rear accessory connector of the transceiver.

### 4.1.6 Headset Capability

The motorcycle radio is compatible with headset accessories that would provide hands-free operation of the radio. Motorola does not manufacture headset equipment, but provides the interconnection for headset equipment with the motorcycle radio. Aftermarket headset equipment is available through Motorola (see [Appendix A: Replacement Parts Ordering](#)).

### 4.1.7 Antenna

The antenna is mounted on top of the transceiver's weather-resistant enclosure. The enclosure's metal lining acts as the antenna's ground plane.

### 4.1.8 Ignition Wire

The ignition wire connects to the motorcycle's fuse box and is routed along the motorcycle frame to the transceiver's rear accessory connector.

The radio is wired so that transmission is inhibited if the motorcycle's ignition switch is off. If the PTT switch is pressed with the ignition off, a low-frequency tone sounds. The receiver is controlled by the control head on/off switch.

## 4.2 Installation Overview

### 4.2.1 General

All XTL 5000 radios are tested and inspected before shipment. It is, however, suggested that the transmitter frequency, deviation, and power output be checked at the time of installation. It is the license holder's responsibility to ensure that the operating parameters of his station comply with applicable laws governing radio communications equipment. For tests and alignment procedures, refer to the appropriate service manual (refer to "[Related Publications](#)" on page v).

Generally, the installation of the motorcycle radio takes place in the following parts:

- Mounting the universal mounting plate and related hardware at the rear of the motorcycle;
- Mounting the control head, speaker, microphone, and related hardware forward on the motorcycle;
- Routing the power cable, control-head cable, speaker cable, and ignition cable to the weather-resistant enclosure;
- Mounting the weather-resistant enclosure and radio chassis, and connecting the cables;
- Mounting the antenna to the weather-resistant enclosure.

A universal mounting plate, supplied by Motorola, is first mounted to either a motorcycle carrier at the rear of the motorcycle or to the rear frame of the motorcycle itself. The mounting procedures for the universal mounting plate vary from motorcycle to motorcycle. Therefore, the procedures given in this manual for installing the mounting plate may not specifically apply, but are provided for guidance.

The control head, speaker, and microphone are mounted forward on the motorcycle, on or near the steering column. There are several possible mounting configurations which use a combination of Motorola and customer-built brackets. These configurations are outlined in this manual. Because of the large number of motorcycle makes and models in existence, the customer-built brackets are necessary to tailor the mounting of the Motorola equipment to the particular motorcycle being used. Suggestions for customer-built brackets are given in this manual.

The power cable, control-head cable, speaker cable, and ignition cable are routed to the weather-resistant enclosure position. The enclosure and the radio chassis are then mounted. Special care is required when connecting cables to the radio equipment within the enclosure.

## 4.2.2 Important Installation Hints

Consider the following when mounting the radio components:

- Excess lengths of control-head, power, ignition, and speaker cables must be routed in the enclosure as shown in [Figure 4-8](#).
- All components must be mounted securely in order to withstand the constant and sometimes severe vibration experienced on a motorcycle.
- No cantilever action, which could cause severe vibration, should be generated in the mounting hardware.
- The control head and microphone must be placed for ease of accessibility by the motorcycle operator.
- Forward components (control head, microphone, and speaker) should not interfere with visual or physical access to controls and instruments.
- Forward components should not interfere with the handling of the motorcycle.
- Cabling between the control head and the radio chassis should be run to minimize interference with operator movements.
- The weather-resistant enclosure should be placed to avoid any interference with the motorcycle operator.
- Electrical continuity must be present through the enclosure shock mounts to the motorcycle frame for proper electrical and RF grounding.
- The antenna is designed for mounting on the top of the weather-resistant enclosure.
- Only the supplied microphone mounting clip should be used to ensure secure mounting of the microphone. This clip has a very strong spring to ensure positive retention of the microphone over rough terrain. Also, there must be electrical continuity from this clip to the motorcycle frame for dc grounding.
- Direct access to the microphone should be provided from both sides of the motorcycle.
- Sufficient slack in the microphone coiled cord should be allowed so as not to impede steering.
- Mounting hardware must be stainless steel to prevent corrosion.

## 4.2.3 Parts Identification

The following installation procedures refer to [Figure 4-1](#) through [Figure 4-9](#). Detailed descriptions of the mounting hardware used in each procedure are provided in parts lists located in the exploded views located in the XTL 5000 Basic Service Manual (Motorola publication part number 6881096C73). Those parts supplied by Motorola are contained in one of the following kits:

- Motorcycle Weather-Resistant Microphone
- Motorcycle Weather-Resistant Speaker with Mute Switch
- Motorcycle Hardware Kit SECURENET or Motorcycle Hardware Kit

- Motorcycle Power Cable Kit
- Motorcycle Mounting Kit
- Weather-Resistant Enclosure (White)
- Weather-Resistant Enclosure (Black)

#### 4.2.4 Order of Installation

Before starting the installation, familiarize yourself with the mounting hardware (see [Figure 4-1](#) through [Figure 4-9](#)). Perform the installation procedures in the order that follows.

1. Install the universal mounting plate on the motorcycle.
2. Install the control head and speaker.
3. Install the microphone hang-up clip.
4. Install the cables.
5. Install the weather-resistant enclosure on the universal mounting plate.
6. Route the cables inside the weather-resistant enclosure.
7. Install the transceiver in the weather-resistant enclosure.
8. Install the antenna on the enclosure.

### 4.3 Installing the Universal Mounting Plate

The universal mounting plate, supplied with the motorcycle radio, must be mounted on the motorcycle first. It provides the base on which the weather-resistant enclosure is to be mounted. The method used for mounting the plate depends on the make and model of the motorcycle and whether the plate is mounted to a carrier or to the motorcycle chassis. After the plate has been securely mounted to the motorcycle, mounting the weather-resistant enclosure onto the plate is straightforward.

[Figure 4-1](#) illustrates the universal mounting plate mounted to a motorcycle carrier. Since there are so many makes and models of motorcycles and motorcycle carriers, it is impossible to give specific step-by-step instructions for mounting the universal mounting plate. However, noting the following considerations will aid in the installation procedure.

- A minimum of holes are predrilled into this plate as supplied. Mounting holes must be drilled as required for the particular motorcycle on which the plate is being mounted.
- The universal mounting plate should be mounted on the motorcycle in such a manner that the later mounting of the weather-resistant enclosure will not interfere with the motorcycle seat back, with any other obstacles, or with the motorcycle operator. The enclosure may be temporarily bolted to the universal mounting plate and the unit positioned on the motorcycle to ensure the above criteria are met.
- To ensure a good grounding path from the universal mounting plate to the motorcycle carrier or frame, stainless steel lockwashers must be used with the mounting hardware in two areas to score through the paint on the universal mounting plate and on the carrier or frame, thereby, providing good electrical contact with the underside of the motorcycle carrier or motorcycle frame.



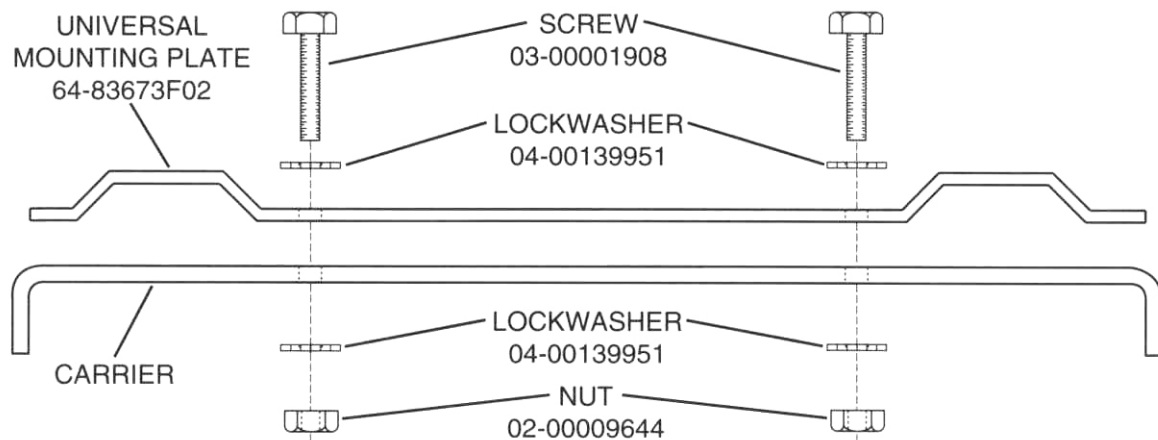


Figure 4-1. Universal Mounting Plate Installation (Part of Radio Enclosure Kit)

Follow the procedures below to mount the universal mounting plate to the motorcycle (see [Figure 4-1](#)).

1. Determine the mounting position for the mounting plate.
2. Determine whether stainless steel spacers are required for clearance in mounting the plate.
3. Drill four 9/32-inch holes in the mounting plate and the corresponding motorcycle carrier or chassis for mounting the plate.
4. Attach the universal mounting plate to the motorcycle using four machine screws, eight lockwashers, and four nuts. Tighten screws securely. The lockwashers must cut through the paint on the plate and motorcycle carrier or frame to ensure a good ground path.

## 4.4 Installing the Speaker and Control Head

The control head mounting location and configuration is determined largely by the make and model of motorcycle. Two different mounting configurations are described below. One involves mounting the speaker and control head together as a unit using the combination speaker/control-head bracket (shown in [Figure 4-2](#)) supplied by Motorola. Alternately, the control head may be mounted by itself using a smaller control-head bracket supplied by Motorola. In this case, the speaker is mounted elsewhere. This section outlines installation procedures for each configuration mentioned above. The customer (or installer) is in the best position to determine the most appropriate mounting configuration for the control head and speaker based on the particular motorcycle on which the equipment is to be mounted.



**Caution**

When determining its location, position the control head so that it is clearly visible and within easy reach of the motorcycle operator.

#### 4.4.1 Handlebar Installation with Speaker and Control Head Mounted Together

Figure 4-2 illustrates the combination speaker/control head bracket. This combination bracket is used only when the control head and speaker are to be mounted as a unit. Also illustrated in Figure 4-2 is a handlebar-mounting bracket which may be required if the combination speaker/control-head bracket cannot be easily mounted to the motorcycle. In this case the handlebar-mounting bracket is mounted to the motorcycle, and the combination bracket is then mounted to the handlebar-mounting bracket.

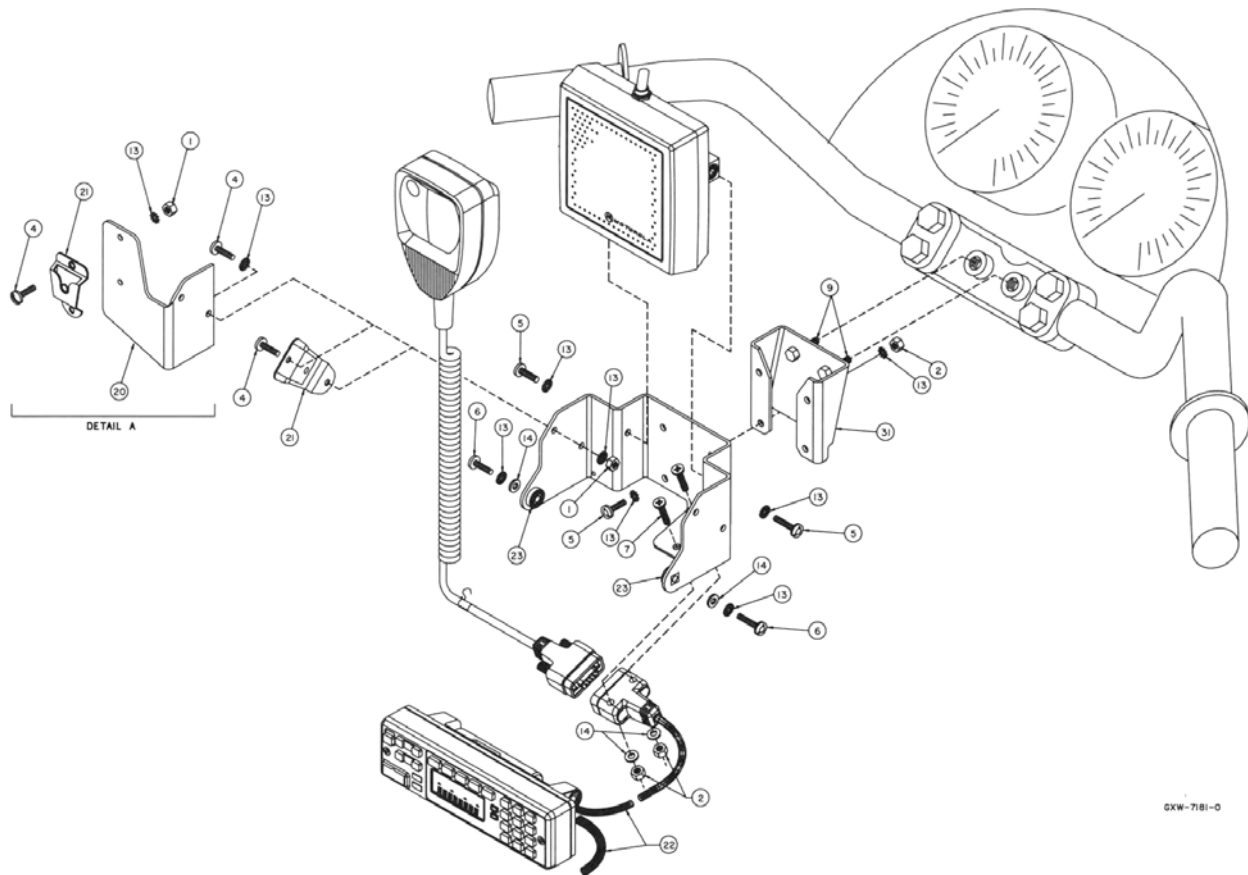


Figure 4-2. Handlebar Installation with Speaker and Control Head Mounted Together

Provision has been made on the combination speaker/control-head bracket for mounting the microphone hang-up clip. If that mounting is desired, the hang-up clip must be attached to the bracket before installing the control head and speaker. See [Section 4.6: "Installing the Microphone Hang-Up Clip"](#) on page 4-11 for the hang-up clip procedure. Install the speaker and control head as described below.

1. Determine the location where the speaker/control head is to be mounted. Consider how the speaker/control-head bracket may be mounted, and whether or not a handlebar-mounting bracket is needed. Take care to select a location that is not only mechanically convenient, but is located for ease of operation.

**NOTE:** The angle at which the handlebar-mounting bracket or the speaker/control-head bracket is mounted to the motorcycle determines the firing angle of the speaker.

2. If the handlebar-mounting bracket is needed, install it first.

3. Mount the speaker/control-head bracket, either directly to the motorcycle, or, if used, to the handlebar-mounting bracket, using four stainless-steel machine screws, lockwashers, and nuts.
4. Mount the 9-pin D-connector end of the motorcycle control-head cable to the speaker/control-head bracket, using two machine screws, flat washers, and nuts. (Cable routing directions appear later in this section.)
5. Mount the speaker on the speaker/control-head bracket, using two machine screws and lockwashers. Torque these screws to 20 in.-lbs.
6. Attach the control-head cable to the control head and tighten the locking screws on the connector. This connection must be made before you mount the control head in the bracket. (Cable routing directions appear later in this section.)
7. Mount the control head to the bracket, using two machine screws, lockwashers, and flat washers.
8. Adjust the control head viewing angle by loosening its mounting screws and rotating the control head to the desired angle. Then, retighten screws to 20 in.-lbs torque. This concludes the speaker/control-head installation.

#### 4.4.2 Fuel Tank Console Installation with Speaker and Control Head Mounted Together

Some motorcycles provide a console for mounting radio equipment. This console is attached to the top of the fuel tank. With the use of a mounting bracket, screws, nuts, and lockwashers, the combination speaker/control-head bracket can be mounted to this console. [Figure 4-3](#) illustrates this type of mounting.

The console attachment screws must be removed, and the console must be lifted slightly from the fuel tank to gain access in order to attach mounting hardware, and to route cables later.

In this installation, the microphone (mic), mic hang-up bracket, and mic extension bracket will interfere with handlebar travel.

Installation using this method is the same as in [Section 4.4.1: "Handlebar Installation with Speaker and Control Head Mounted Together"](#) on page 4-6.



### 4.4.3 Handlebar Installation with Speaker and Control Head Mounted Separately

It may be necessary to use the smaller control head bracket (part no. 07-80127N02) and mount the speaker and microphone hang-up clip in another location on the motorcycle.

Before installing the control head using the bracket described above, the control-head end of the control-head cable should be temporarily fastened to the control head, and the control head fastened to its bracket. Motorola-supplied spacers and the mic-cable bracket are required to mount the control head to the handlebar. This mic-cable bracket has holes to mount the microphone-cable connector.

Follow these procedures when mounting the smaller control-head bracket:

1. Determine the location at which the control head is to be mounted. Take care to choose a location that is not only mechanically convenient, but is located for ease of operation.
2. Securely mount the Motorola-supplied spacers, mic-cable bracket, and small control-head bracket to the handlebars.
3. Mount the 9-pin D-connector end of the motorcycle control-head cable to the mic-cable bracket, using two machine screws, flat washers, and nuts. (Cable routing directions appear later in this section.)
4. Attach the control-head end of the cable to the control head and tighten the locking screws on the connector.
5. Mount the control head to the small control-head bracket, at the proper viewing angle, using two wing screws. Tighten firmly. This concludes the control-head installation.

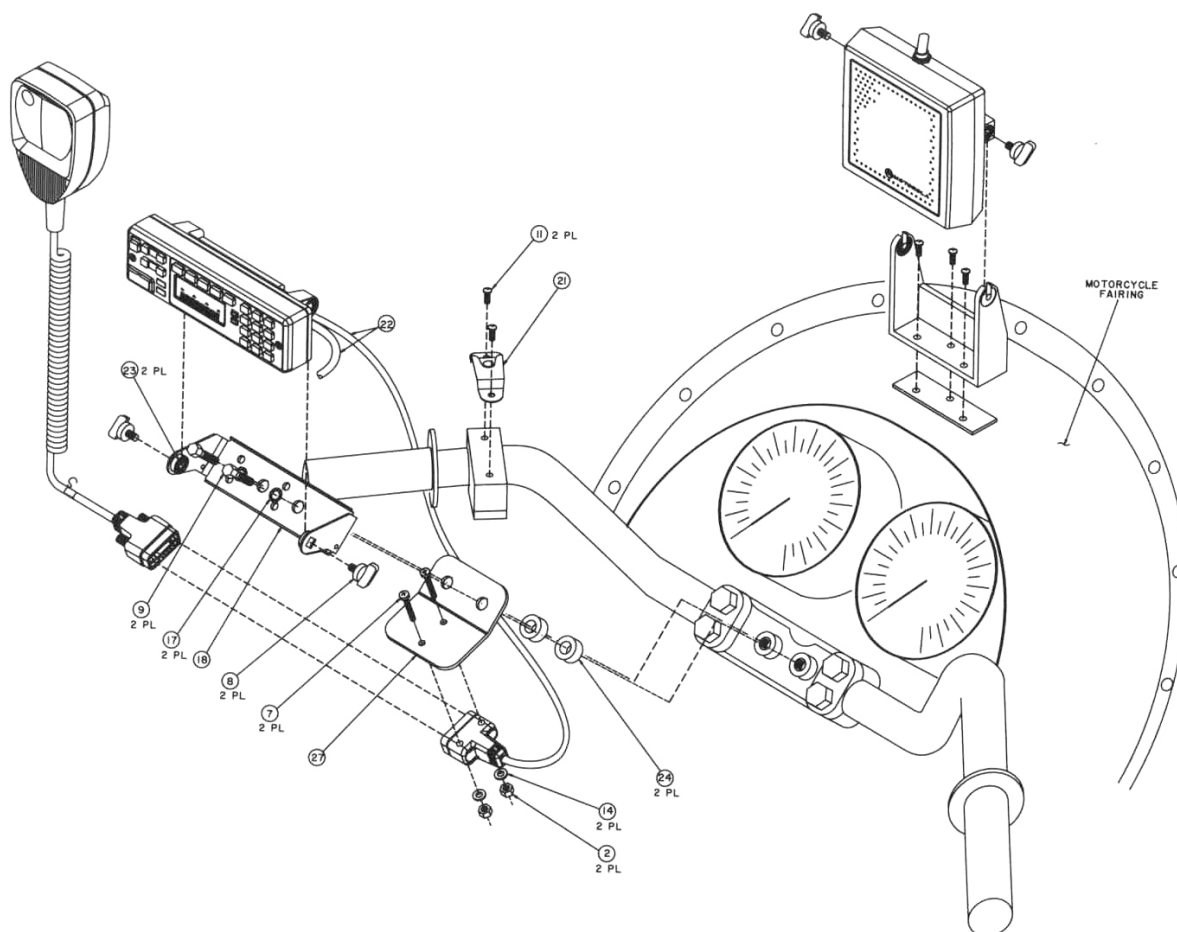


Figure 4-4. Handlebar Installation with Speaker and Control Head Mounted Separately

#### 4.4.4 Fuel Tank Console Installation with Speaker and Control Head Mounted Separately

The control head may be mounted to the fuel tank console using the smaller control-head bracket and spacers/hardware. In this configuration, the microphone cable connector may be attached directly to the console, eliminating the need for a custom bracket.

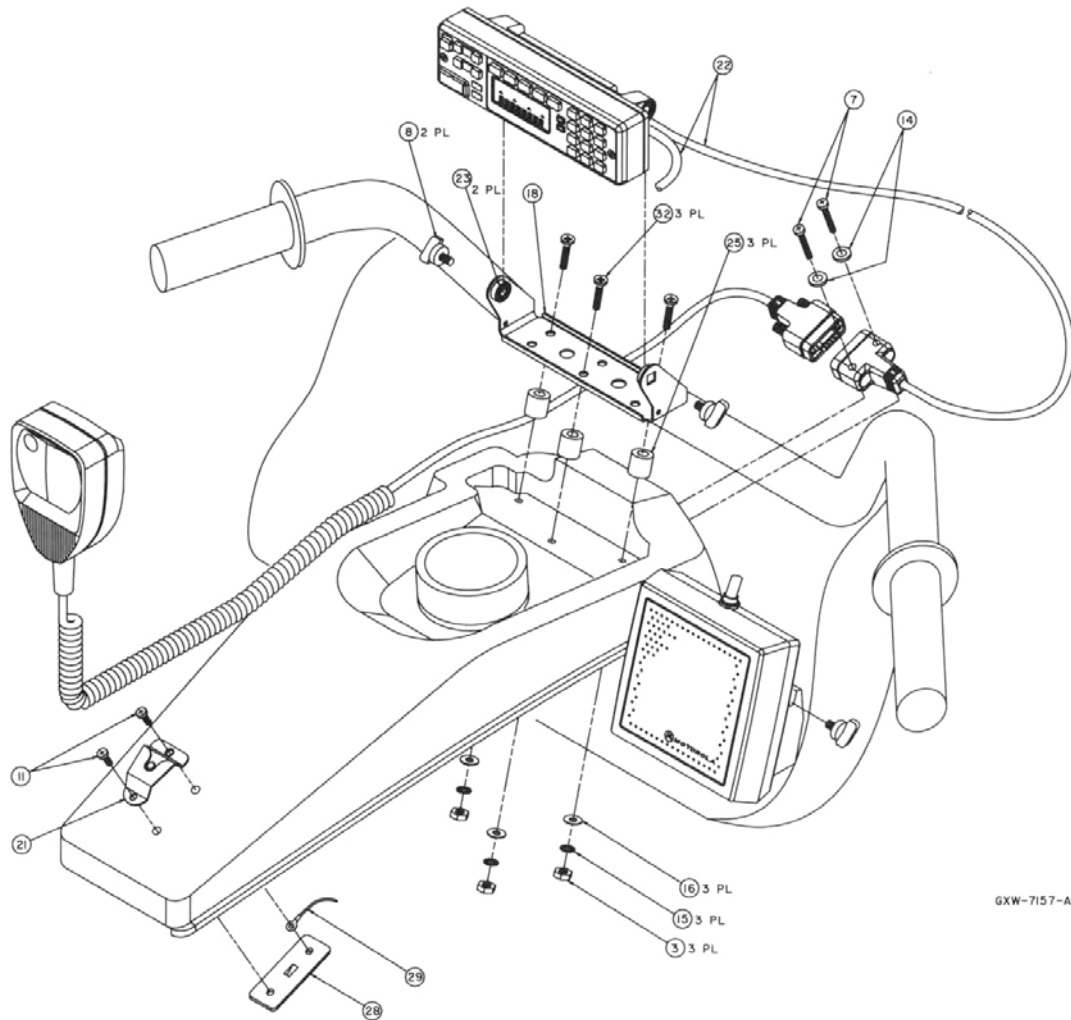


Figure 4-5. Fuel Tank Console Installation with Speaker and Control Head Mounted Separately

Installation is the same as detailed in [Section 4.4.2: “Fuel Tank Console Installation with Speaker and Control Head Mounted Together”](#) on page 4-7 and [Section 4.4.3: “Handlebar Installation with Speaker and Control Head Mounted Separately”](#) on page 4-9.

### 4.5 Installing the Speaker

Use the following procedure when the speaker is mounted separate from the control head. The speaker bracket supplied with the speaker may be used alone if a suitable location can be found, or if necessary, a customer-supplied bracket may be fabricated for mounting the speaker.

1. Determine the location in which the speaker is to be mounted and whether there is a requirement for a customer-supplied bracket.

2. Fabricate a bracket if required. Use the Motorola-supplied speaker bracket as a template for drilling mounting holes. Also drill holes in the fabricated bracket for mounting to the motorcycle.
3. Mount the fabricated bracket to the motorcycle chassis.
4. Mount the Motorola-supplied bracket to the fabricated bracket using two machine screws, flat washers, lockwashers, and nuts.
5. Mount the speaker to the speaker bracket using two wing screws. Directions for speaker cable routing appear later in this section. Speaker mounting is now complete.

## 4.6 Installing the Microphone Hang-Up Clip

Install the hang-up clip either on the supplied microphone extension bracket or on the side of the speaker/control head bracket. Both methods are shown in [Figure 4-2](#). Determine the mounting location and install as described in the following paragraphs.

**NOTE:** Wherever the hang-up clip is mounted, it must be DC grounded for proper operation. After mounting the clip, be sure there is electrical continuity between the clip and the motorcycle chassis.

### 4.6.1 Extension Bracket Mounting

Using this method, you can mount the clip so that it faces the operator.

1. Attach the bracket to the speaker/control-head bracket using two machine screws, four lockwashers, and two nuts as shown in [Figure 4-2](#), Detail A.
2. Torque nuts to 20 in.-lbs torque.
3. Fasten the hang-up clip to the extension bracket using two machine screws, lockwashers, and nuts as shown in [Figure 4-2](#), Detail A.
4. Torque nuts to 20 in.-lbs torque.

### 4.6.2 Speaker/Control Head Bracket Side Mounting

Attach the hang-up clip to the left side of the speaker/control-head bracket using two machine screws, lockwashers, and nuts as shown in [Figure 4-2](#). Torque nuts to 20 in.-lbs. torque.

### 4.6.3 Other Hang-Up Clip Mounting

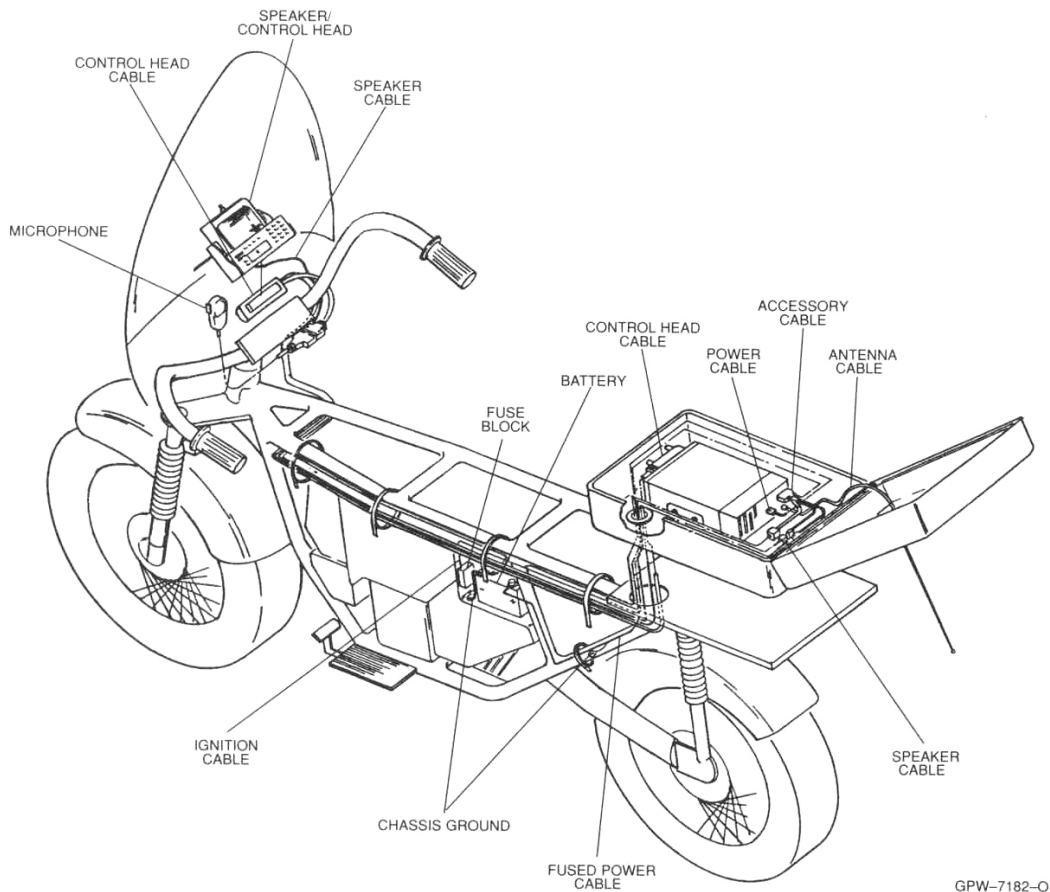
To mount the microphone hang-up clip in another location, a customer-supplied bracket may be used. Suggested locations include the handlebars, fuel-tank console, or any location which provides easy access to the microphone without blocking controls and indicators and without interfering with motorcycle handling. See [Figure 4-3](#), [Figure 4-4](#), and [Figure 4-5](#) for alternative microphone hang-up clip mounting methods.

1. Fabricate a bracket, then secure it to the motorcycle.
2. Use two machine screws, lockwashers, and nuts to secure the hang-up clip to the customer-supplied bracket. Ensure that the microphone clip is DC grounded to the motorcycle chassis (a grounding lug and strap are provided in the hang-up clip kit for this purpose) – this is essential for proper radio operation.

## 4.7 Installing Cables

Five cables must be installed to interconnect the components of the radio system as shown in [Figure 4-6](#). The antenna cable is routed away from the other cables inside the enclosure's hinged cover. (See the antenna installation instructions shipped with the antenna option for more antenna-routing information.) The four remaining cables, routed along the motorcycle frame, are described in the following paragraphs.

**NOTE:** Removal of the fuel tank and seat from the motorcycle will facilitate routing the cables along the frame. Motorcycles with consoles attached to fuel tanks require routing cables between console and fuel tank. In this case the tank is not removed.



*Figure 4-6. Cable Routing*

1. Speaker Cable — runs from the speaker to the accessory-cable connector inside the weather-resistant enclosure.
2. Control Cable — runs from the rear of the control head to the front of the transceiver inside the enclosure.
3. Ignition (Red) Wire Portion of Accessory Cable — runs from the ignition fuse terminal of the fuse box to the rear area inside the enclosure. The lug for attaching the ignition wire is contained on the accessory cable.
4. Power Cable — The red, unterminated end runs from the positive terminal of the battery to the power connector that plugs in the rear of the transceiver. Lugs for attaching the red and black leads are contained in the motorcycle power-cable kit. The black, unterminated end runs from a suitable motorcycle chassis ground to the power connector. **DO NOT** connect the black lead directly to the negative battery post.



You may route the cables in any order. As you route each cable, temporarily fasten it at both ends. When all cables have been run, permanently fasten the cables with appropriate cable tie wraps. Observe the following during routing and hook-up:

1. Route the cables so that none interfere with motorcycle operation.
2. Fasten the cables with supplied nylon tie wraps. The wraps should be firmly installed at frequent intervals along the cable length in such a manner that motorcycle vibration will not cause metal fatigue and subsequent breakage of the cable wires.
3. Take care to position cables away from parts of the motorcycle that get hot.

Bundle excess cable length inside the weather-resistant enclosure as discussed later in [Section 4.9: “Transceiver and Cabling Installation”](#) on page 4-14.

The fifth cable is the microphone with coiled cord. Plug the 9-pin D-connector end of the coiled cord into its mating connector, which was attached near the control head discussed in an earlier paragraph. Tighten the coiled-cord-retention screws. Insert the S-hook strain relief (terminated to the coiled cord) into the hole in the mounting bracket. Slide the microphone into the microphone hang-up bracket.

## 4.8 Installing the Weather-Resistant Enclosure

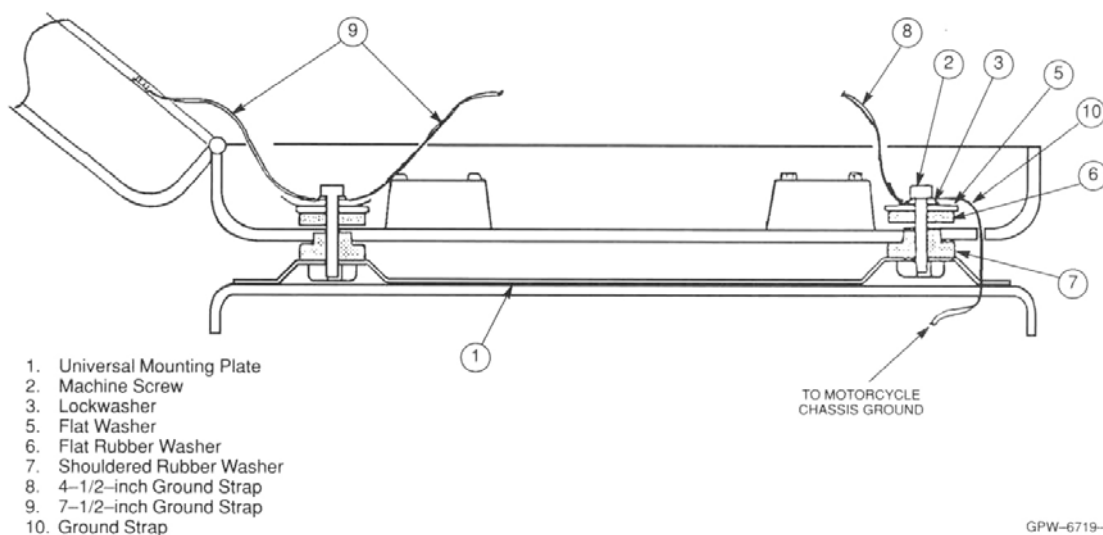
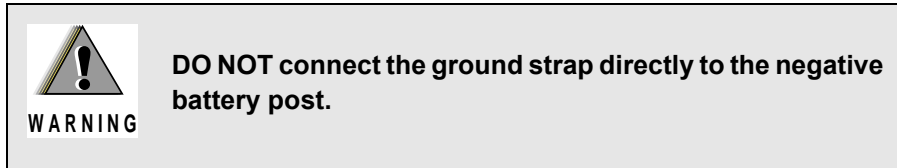


Figure 4-7. Weather-Resistant Enclosure Installation

1. Remove the radio-mounting plate by removing four screws, lock washers, and flat washers.
2. The weather-resistant enclosure is mounted to the universal mounting plate using shock mounts. Assemble the shock-mount components exactly as shown in [Figure 4-7](#). Be sure to install ground straps between the shock-mount and the transceiver trunnion mount, and install one 7-1/2-inch ground strap between the right rear mount and the enclosure lid's antenna ground plane 0 (shown in [Figure 4-7](#) and in [Figure 4-9](#)).
3. The order of assembly is important to ensure proper shock mount operation. All components are supplied with the mounting kit. The 4-1/2-inch ground straps are used on the front shock mounts. The three 7- 1/2-inch straps are used on the rear shock mounts—two from shock mount to trunnion, and one from the shock mount to the lid's antenna ground plane.

**NOTE:** Grounding through the power-supply cable is NOT sufficient. Whether the radio transceiver is mounted to a carrier or the chassis itself, the transceiver MUST be properly grounded to the motorcycle chassis. The ground strap supplied with the installation kit may have to be used to ensure a good RF ground path from the radio transceiver to the motorcycle chassis.

4. Install the 3-foot ground strap on one of the front shock mounts. Route it through the cable-routing hole and connect the other end to the motorcycle frame (see [Figure 4-7](#)).



5. The diagram of the shock mount is shown loosely assembled. After the hex screws are tightened, the rubber washers are compressed to fasten the weather-resistant enclosure securely to the universal mounting plate.
6. [Figure 4-9](#) is an exploded view of the enclosure; it shows details that will help to understand how the enclosure is mounted. After the enclosure is completely mounted, check for proper ground connection—continuity between the antenna ground plane and the motorcycle frame.

## 4.9 Transceiver and Cabling Installation

After the weather-resistant enclosure has been installed, the radio chassis (transceiver) is installed in the enclosure and then appropriate cables are connected. However, before the transceiver can be installed, the cabling must be properly positioned in the enclosure.

### 4.9.1 Installing Cabling in the Enclosure

Position the cabling in the weather-resistant enclosure as follows:

1. Run the speaker, power, control-head, and ignition cables into the enclosure.
2. Lay the excess cable length between the radio mounting bosses in an S configuration as shown in [Figure 4-8](#). Do not coil any excess cable. Use the supplied tie wraps to bundle cable as shown.

**NOTE:** If the extra cable length is not sufficient to match the illustrated cable routing, then match the illustration as closely as possible.

3. Connect the speaker cable to the accessory cable connector.

**NOTE:** The accessory-cable emergency connector is shipped with a shorting plug installed. The headset connector is also shipped with a shorting plug installed. The plugs must remain in if an emergency switch and/or headset is not used. If an emergency switch and/or headset is used, remove the shorting plug(s) and discard.

4. Install the mounting plate in position on top of the cables installed above. Take care not to damage or pinch the cables when securing the mounting plate in position.

**NOTE:** At this point, the control-head cable plug should be located at the forward end of the enclosure, and the power-cable, speaker-cable, and accessory-cable plugs should be located at the rear of the enclosure.

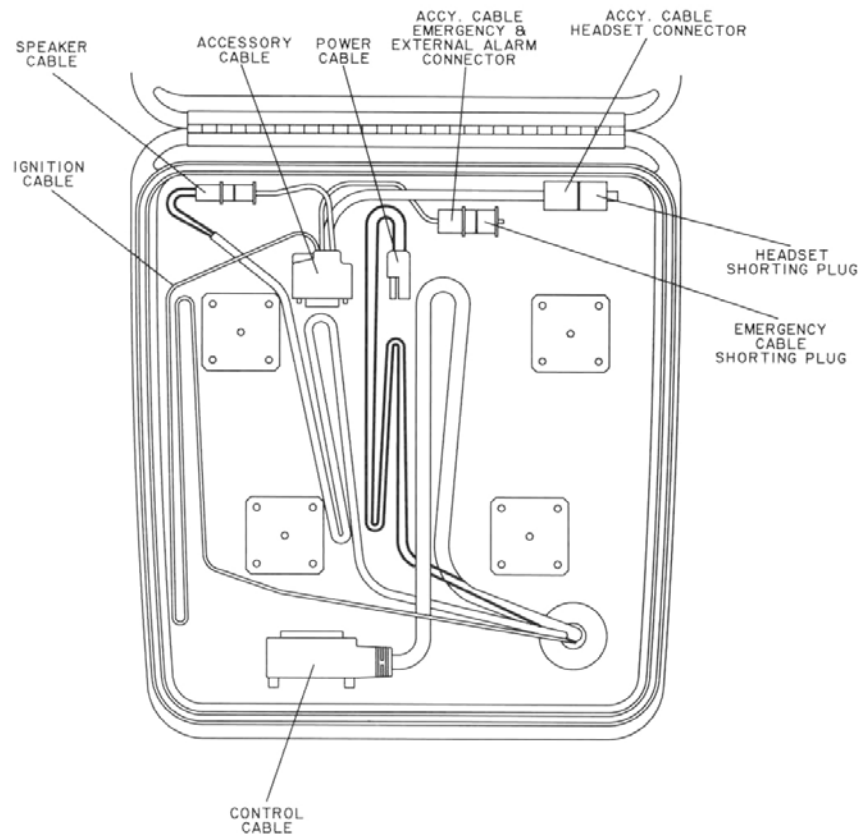


Figure 4-8. Installing Cables

## 4.9.2 Installing the Transceiver

Install the transceiver in the weather-resistant enclosure as follows (see [Figure 4-9](#)).

**NOTE:** For new or existing installations, use only the XTL 5000 trunnion (kit number: HLN6861\_).

1. Install the mounting trunnion and loose ends of the four ground straps to the radio-mounting plate, using four screws, flat washers, and external-tooth lockwashers (see [Figure 4-9](#)). The ground straps must be sandwiched between the flat washers and lockwashers. The lock washer must be against the trunnion. The flat washer must be under the screw head.
2. Attach the transceiver to the mounting trunnion and secure with two wing screws.
3. Connect the control cable to the front of the transceiver. Ensure the control-cable connector screws are tightened.
4. Attach the accessory connector to the transceiver. Plug in the power connector.
5. Install the grommet around the cables and push the grommet into the cable-routing hole of the weather-resistant enclosure.

*Table 4-1. Transceiver Installation Parts List*

1	Lockwasher
2	Flat washer (8 used)
3	Screw
4	Screw
5	Grommet
6	Screw
7	Lock catch
8	Radio mounting plate
9	Bottom housing
10	Ground shield plane
11	Top cover
12	Gasket
13	Hinge
14	Enclosure mounts
15	Transceiver
16	Wing screw
17	Trunnion
18	External tooth lockwasher (8 used)

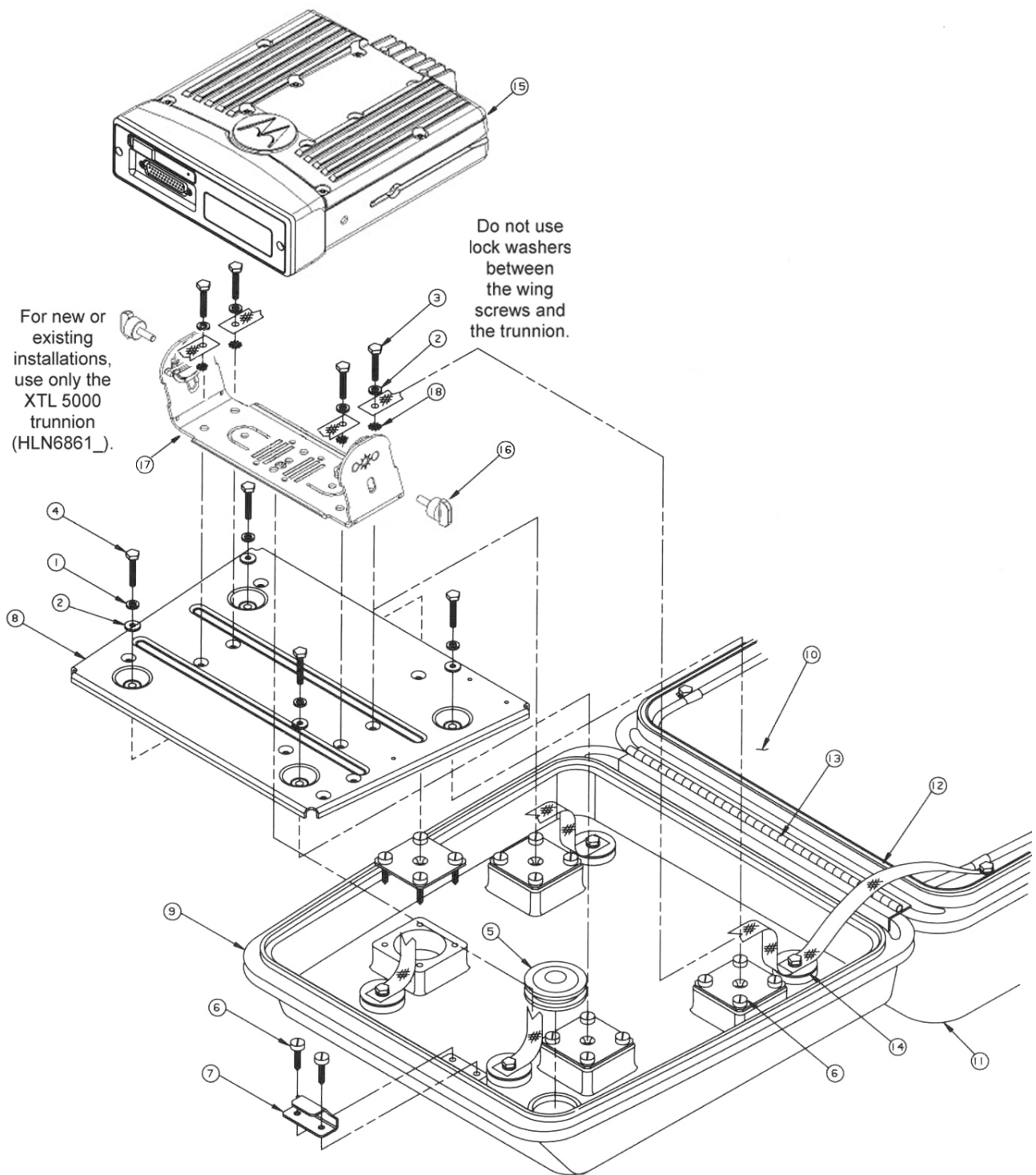


Figure 4-9. Installing the Transceiver

## 4.10 Installing the Antenna

Refer to the antenna installation instructions in the antenna option package.

## 4.11 Installing the Emergency Switch Option

Use the two-conductor, green/black cable which has as one end terminated with two contacts (part no. 3080221P02) and which is supplied with this W688 Motorcycle Emergency Push Button. Disconnect the emergency switch shorting plug from the accessory cable. Replace the shorting wire of the shorting plug with the terminated end of the green/black emergency cable. Reconnect the plug to the accessory cable.

## 4.12 Installing the External Alarm Relay Option

The motorcycle radio is offered with only one optional relay connection. If both horn and lights are required, wire a second relay coil parallel to the first relay. Use the two-conductor green/black cable which has one end terminated with two contacts (part no. 3080221P02) and which is supplied with this W116 Motorcycle Alarm Relay Option. Insert the contacts into positions 3 and 4 of the emergency shorting plug of the accessory cable. Refer to [Figure 4-10](#).

## 4.13 Installing the Headset Accessory

A six-position connector on the accessory cable has been made available for connecting a headset accessory. Headset manufacturers should be consulted for compatibility with the motorcycle radio prior to purchase and installation of the headset. To install, disconnect the headset shorting plug. Remove the headset shorting wire from the headset shorting plug. Terminate the contacts provided to the applicable wires of the headset cable. Insert the terminated wires into the headset shorting plug per the contact positions illustrated in the typical headset schematic found in this manual. Reconnect the terminated headset shorting plug to the accessory cable.

## 4.14 Horn/Lights Wiring

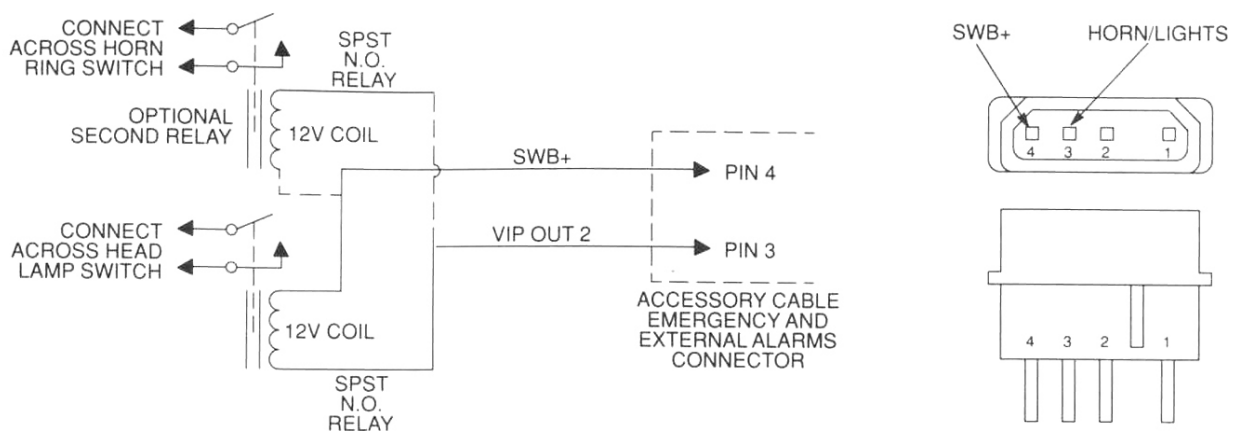


Figure 4-10. Horn/Lights Wiring Diagram

### 4.15 Emergency Switch Wiring

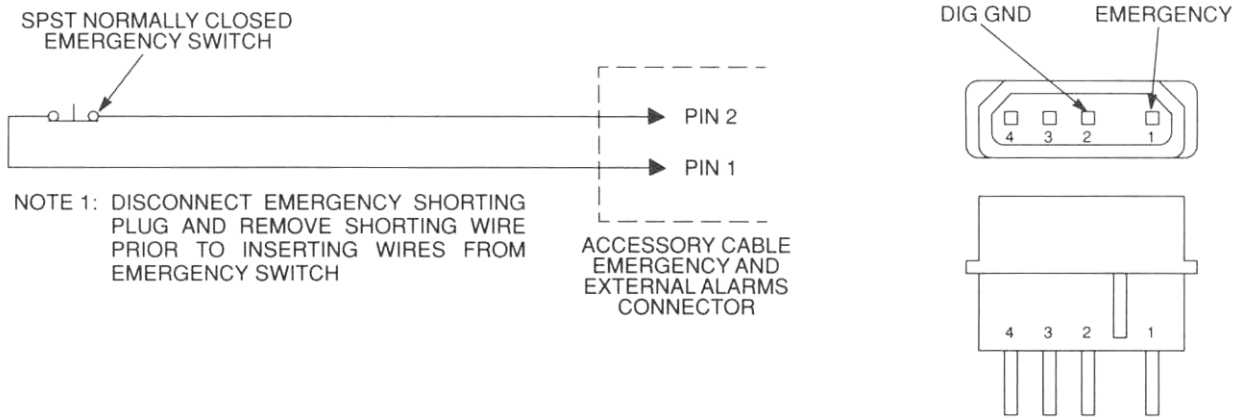


Figure 4-11. Emergency Switch Wiring Diagram



**Motorcycle products must have pins 1 and 2 connected together to allow the radio to power down. Opening this connection by REMOVING the emergency shorting plug, or pressing the emergency switch, will turn on the radio. Failure to maintain a normally-closed path could drain the vehicle battery if left unchecked.**



**EMERGENCY-equipped radios are capable of TRANSMITTING without warning.**

## Notes



---

## Chapter 5 Finishing the Installation: Cable Connection

Perform the following if it has not been previously done:

1. For all models except W3, remove the control head from its mounting trunnion. Plug the radio's control cable into the proper location on the back of the control head (see [Figure 2-21](#) and [Figure 2-22](#) in Chapter 2). The connectors "click" when snapped into place. W4, W5, and W7 control head models can have the microphone plugged into either the lower left corner of the control head front panel or in the middle section of the connector on the rear of the control head. W9 control head models have only the rear connection on the control head available. Connect the microphone cable S-hook (see [Figure 2-17](#) in Chapter 2) into the hole in the cable strain relief bracket on the back of the control head (W9 model) or on the mounting trunnion (W4, W5, and W7 models).
2. Connect the plug from the speaker lead to the mating connector coming out of the control cable connector or accessory cable harness (W3 model).
3. Plug the VIP connector into the remaining location on the back of the control head.
4. Connect the control cable to the radio and tighten the connector by tightening the jack screws.



Caution

**CAUTION:** For all except 100W radios: To ensure a proper water seal, the jackscrews on the radio cable connector must be tight. If the accessory port on a remote-mounted radio is not used, the cover gasket assembly (HLN6233\_) must be installed and torqued to 6 to 8 inch-pounds.

5. Be sure the control head and microphone PTT switches are OFF. Install the 15- or 20-amp fuse in the radio power cable fuseholder and the 3- or 4-amp fuse(s) in the ignition cable fuseholder(s).
  6. Turn the radio ON at the control head and verify proper operation of all controls and indicators. Radio operation in some installations require turning on the ignition. Perform a complete operational check of the radio.
  7. Dress the control and power cables out of the way to prevent damage (pull any excess cable into the trunk area) securing with clamps and tie wraps where necessary.
-

## Notes

---

# Appendix A Replacement Parts Ordering

## A.1 Basic Ordering Information

When ordering replacement parts or equipment information, the complete identification number should be included. This applies to all components, kits, and chassis. If the component part number is not known, the order should include the number of the chassis or kit of which it is a part, and sufficient description of the desired component to identify it.

Crystal orders should specify the crystal type number, crystal and carrier frequency, and the model number in which the part is used.

The ASTRO XTL 5000 Digital Mobile Radio Basic Service Manual (Motorola publication part number 6881096C73) includes complete parts lists and parts numbers.

## A.2 Motorola Online

Motorola Online users can access our online catalog at

<https://www.motorola.com/businessonline>

To register for online access:

- Domestic customers: please call 800-814-0601 (U.S. and Canada).
- International customers: please go to <https://www.motorola.com/businessonline> and click on "Sign Up Now."

## A.3 Mail Orders

Send written orders to the following addresses:

**Replacement Parts/  
Test Equipment/Manuals/  
Crystal Service Items:**

Motorola Inc.  
Radio Products and Services  
Division\*  
Attention: Order Processing  
2200 Galvin Drive  
Elgin, IL 60123  
U.S.A.

**Federal Government Orders:**

Motorola Inc.  
U.S. Federal Government  
Markets Division  
Attention: Order Processing  
7230 Parkway Drive  
Landover, MD 21076  
U.S.A.

**International Orders:**

Motorola Inc.  
Radio Products and Services  
Division\*  
Attention: Order Processing  
2200 Galvin Drive  
Elgin, IL 60123  
U.S.A.

---

## **A.4 Telephone Orders**

Radio Products and Services Division\*  
(United States and Canada)  
7:00 AM to 7:00 PM (Central Standard Time)  
Monday through Friday (Chicago, U.S.A.)  
1-800-422-4210  
1-847-538-8023 (International Orders)

U.S. Federal Government Markets Division (USFGMD)  
1-800-826-1913 Federal Government Parts - Credit Cards Only  
8:30 AM to 5:00 PM (Eastern Standard Time)

## **A.5 Fax Orders**

Radio Products and Services Division\*  
(United States and Canada)  
1-800-622-6210  
1-847-576-3023 (International)

USFGMD  
(Federal Government Orders)  
1-800-526-8641 (For Parts and Equipment Purchase Orders)

## **A.6 Parts Identification**

Radio Products and Services Division\*  
(United States and Canada)  
1-800-422-4210, menu 3

## **A.7 Product Customer Service**

Customer Response Center  
(Non-technical Issues)  
1-800-247-2346  
FAX:1-800-247-2347

\*The Radio Products and Services Division (RPSD) was formerly known as the Customer Care and Services Division (CCSD) and/or the Accessories and Aftermarket Division (AAD).

---

# Glossary

This glossary contains an alphabetical listing of terms and their definitions that are applicable to ASTRO portable and mobile subscriber radio products.

Term	Definition
<b>A/D</b>	<i>See analog-to-digital conversion.</i>
<b>Abacus IC</b>	A custom integrated circuit providing a digital receiver intermediate frequency (IF) backend.
<b>ADC</b>	<i>See analog-to-digital converter.</i>
<b>ADDAG</b>	<i>See Analog-to-Digital, Digital-to-Analog and Glue.</i>
<b>ALC</b>	<i>See automatic level control.</i>
<b>analog</b>	Refers to a continuously variable signal or a circuit or device designed to handle such signals. <i>See also digital.</i>
<b>Analog-to-Digital, Digital-to-Analog and Glue</b>	An integrated circuit designed to be an interface between the radio's DSP, which is digital, and the analog transmitter and receiver ICs.
<b>analog-to-digital conversion</b>	Conversion of an instantaneous dc voltage level to a corresponding digital value. <i>See also D/A.</i>
<b>analog-to-digital converter</b>	A device that converts analog signals into digital data. <i>See also DAC.</i>
<b>APCO 25</b>	A standard of digital two-way radio communications, developed by the Association of Public-Safety Communications Officials, providing maximum radio spectrum efficiency; competition in system life cycle procurements; effective, efficient and reliable intra-agency and inter-agency communications; and "user friendly" equipment. <i>See also Association of Public-Safety Communications Officials.</i>
<b>Association of Public-Safety Communications Officials</b>	An association dedicated to an industry-wide effort (known as APCO 25 or Project 25) to set the recommended voluntary standards of uniform digital two-way radio technology for public safety organizations. This allows radio interoperability with multiple vendor products which are all APCO 25 compatible. <i>See also APCO 25.</i>
<b>automatic level control</b>	A circuit in the transmit RF path that controls RF power amplifier output, provides leveling over frequency and voltage, and protects against high VSWR.
<b>band</b>	Frequencies allowed for a specific purpose.

---

Term	Definition
<b>BBP</b>	<i>See baseband interface port.</i>
<b>baseband interface port</b>	Synchronous serial interface to the transceiver board used to transfer transmit and receive audio data.
<b>BGA</b>	<i>See ball grid array.</i>
<b>ball grid array</b>	A type of IC package characterized by solder balls arranged in a grid that are located on the underside of the package.
<b>CODEC</b>	<i>See coder/decoder.</i>
<b>coder/decoder</b>	A device that encodes or decodes a signal.
<b>CPS</b>	<i>See Customer Programming Software.</i>
<b>Customer Programming Software</b>	Software with a graphical user interface containing the feature set of an ASTRO radio.
<b>D/A</b>	<i>See digital-to-analog conversion.</i>
<b>DAC</b>	<i>See digital-to-analog converter.</i>
<b>DCE</b>	Data communication equipment: The EIA definition for device (i.e., radio) data communications using the RS232 protocol. The correct data communication wiring requires the device's TX pins (output) to connect to the RX pins (input) and the RTS pins (output) to connect to the CTS pins (input). It is incorrect to attach the "same name" to "same name".
<b>default</b>	A pre-defined set of parameters.
<b>digital</b>	Refers to data that is stored or transmitted as a sequence of discrete symbols from a finite set; most commonly this means binary data represented using electronic or electromagnetic signals. <i>See also analog.</i>
<b>digital-to-analog conversion</b>	Conversion of a digital signal to a voltage that is proportional to the input value. <i>See also A/D.</i>
<b>digital-to-analog converter</b>	A device that converts digital data into analog signals. <i>See also ADC.</i>
<b>Digital Private-Line</b>	A type of digital communications that utilizes privacy call, as well as memory channel and busy channel lock out to enhance communication efficiency.
<b>digital signal processor</b>	A microcontroller specifically designed for performing the mathematics involved in manipulating analog information, such as sound, that has been converted into a digital form. DSP also implies the use of a data compression technique.

Term	Definition
<b>digital signal processor code</b>	Object code executed by the Digital Signal Processor in an ASTRO subscriber radio. The DSP is responsible for computation-intensive tasks, such as decoding ASTRO signaling.
<b>DPL</b>	<i>See Digital Private-Line. See also PL.</i>
<b>DSP</b>	<i>See digital signal processor.</i>
<b>DSP code</b>	<i>See digital signal processor code.</i>
<b>DTE</b>	Data terminal equipment: i.e., a computer.
<b>DTMF</b>	<i>See dual tone multi-frequency.</i>
<b>dual tone multi-frequency</b>	The system used by touch-tone telephones. DTMF assigns a specific frequency, or tone, to each key so that it can easily be identified by a microprocessor.
<b>EEPOT</b>	Electrically Programmable Digital Potentiometer.
<b>EEPROM</b>	<i>See Electrically Erasable Programmable Read-Only Memory.</i>
<b>Electrically Erasable Programmable Read-Only Memory</b>	A special type of PROM that can be erased by exposing it to an electrical charge. An EEPROM retains its contents even when the power is turned off.
<b>FCC</b>	Federal Communications Commission.
<b>firmware</b>	Code executed by an embedded processor such as the Host or DSP in a subscriber radio. This type of code is typically resident in non-volatile memory and as such is more difficult to change than code executed from RAM.
<b>FGU</b>	<i>See frequency generation unit.</i>
<b>flash</b>	A non-volatile memory device similar to an EEPROM. Flash memory can be erased and reprogrammed in blocks instead of one byte at a time.
<b>FLASHcode</b>	A 13-digit code which uniquely identifies the System Software Package and Software Revenue Options that are enabled in a particular subscriber radio. FLASHcodes are only applicable for radios which are upgradeable through the FLASHport process.
<b>FLASHport</b>	A Motorola term that describes the ability of a radio to change memory. Every FLASHport radio contains a FLASHport EEPROM memory chip that can be software written and rewritten to, again and again.
<b>FMR</b>	<i>See Florida Manual Revision.</i>
<b>Florida Manual Revision</b>	A publication that provides supplemental information for its parent publication before it is revised and reissued.

Term	Definition
<b>frequency</b>	Number of times a complete electromagnetic-wave cycle occurs in a fixed unit of time (usually one second).
<b>frequency generation unit</b>	This unit generates ultra-stable, low-phase noise master clock and other derived synchronization clocks that are distributed throughout the communication network.
<b>General-Purpose Input/Output</b>	Pins whose function is programmable.
<b>GPIO</b>	<i>See General-Purpose Input/Output.</i>
<b>host code</b>	Object code executed by the host processor in an ASTRO subscriber radio. The host is responsible for control-oriented tasks such as decoding and responding to user inputs.
<b>IC</b>	<i>See integrated circuit.</i>
<b>IF</b>	Intermediate Frequency.
<b>IMBE</b>	A sub-band, voice-encoding algorithm used in ASTRO digital voice.
<b>inbound signaling word</b>	Data transmitted on the control channel from a subscriber unit to the central control unit.
<b>integrated circuit</b>	An assembly of interconnected components on a small semiconductor chip, usually made of silicon. One chip can contain millions of microscopic components and perform many functions.
<b>ISW</b>	<i>See inbound signaling word.</i>
<b>key-variable loader</b>	A device used to load encryption keys into a radio.
<b>kHz</b>	<i>See kilohertz.</i>
<b>kilohertz</b>	One thousand cycles per second. Used especially as a radio-frequency unit.
<b>KVL</b>	<i>See key-variable loader.</i>
<b>LCD</b>	<i>See liquid-crystal display.</i>
<b>LED</b>	<i>See light emitting diode.</i>
<b>light emitting diode</b>	An electronic device that lights up when electricity is passed through it.
<b>liquid-crystal display</b>	An LCD uses two sheets of polarizing material with a liquid-crystal solution between them. An electric current passed through the liquid causes the crystals to align so that light cannot pass through them.
<b>LO</b>	Local oscillator.
<b>low-speed handshake</b>	150-baud digital data sent to the radio during trunked operation while receiving audio.



Term	Definition
<b>LSH</b>	<i>See low-speed handshake.</i>
<b>Master In Slave Out</b>	SPI data line from a peripheral to the MCU.
<b>Master Out Slave In</b>	SPI data line from the MCU to a peripheral.
<b>MCU</b>	<i>See microcontroller unit.</i>
<b>MDC</b>	Motorola Digital Communications.
<b>MDI</b>	MCU/DSP Interface internal to the Patriot IC.
<b>MHz</b>	<i>See Megahertz.</i>
<b>Megahertz</b>	One million cycles per second. Used especially as a radio-frequency unit.
<b>microcontroller unit</b>	Also written as $\mu\text{C}$ . A microprocessor that contains RAM and ROM components, as well as communications and programming components and peripherals.
<b>MISO</b>	<i>See Master In Slave Out.</i>
<b>MOSI</b>	<i>See Master Out Slave In.</i>
<b>multiplexer</b>	An electronic device that combines several signals for transmission on some shared medium (e.g., a telephone wire).
<b>MUX</b>	<i>See multiplexer.</i>
<b>NiCd</b>	Nickel-cadmium.
<b>NiMH</b>	Nickel-metal-hydride.
<b>OMPAC</b>	<i>See over-molded pad-array carrier.</i>
<b>open architecture</b>	A controller configuration that utilizes a microprocessor with extended ROM, RAM, and EEPROM.
<b>oscillator</b>	An electronic device that produces alternating electric current and commonly employs tuned circuits and amplifying components.
<b>OSW</b>	<i>See outbound signaling word.</i>
<b>OTAR</b>	<i>See over-the-air rekeying.</i>
<b>outbound signaling word</b>	Data transmitted on the control channel from the central controller to the subscriber unit.
<b>over-molded pad-array carrier</b>	A Motorola custom IC package, distinguished by the presence of solder balls on the bottom pads.
<b>over-the-air rekeying</b>	Allows the dispatcher to remotely reprogram the encryption keys in the radio.
<b>PA</b>	Power amplifier.

Term	Definition
<b>paging</b>	One-way communication that alerts the receiver to retrieve a message.
<b>Patriot IC</b>	A dual-core processor that contains an MCU and a DSP in one IC package.
<b>PC Board</b>	Printed Circuit Board. Also referred to as a PCB.
<b>phase-locked loop</b>	A circuit in which an oscillator is kept in phase with a reference, usually after passing through a frequency divider.
<b>PL</b>	<i>See private-line tone squelch.</i>
<b>PLL</b>	<i>See phase-locked loop.</i>
<b>private-line tone squelch</b>	A continuous sub-audible tone that is transmitted along with the carrier. <i>See also DPL.</i>
<b>Programmable Read-Only Memory</b>	A memory chip on which data can be written only once. Once data has been written onto a PROM, it remains there forever.
<b>programming cable</b>	A cable that allows the CPS to communicate directly with the radio using RS232.
<b>Project 25</b>	<i>See APCO 25.</i>
<b>PROM</b>	<i>See Programmable Read-Only Memory.</i>
<b>PTT</b>	<i>See Push-to-Talk.</i>
<b>Push-to-Talk</b>	The switch or button usually located on the left side of the radio which, when pressed, causes the radio to transmit. When the PTT is released, the unit returns to receive operation.
<b>radio frequency</b>	The portion of the electromagnetic spectrum between audio sound and infrared light (approximately 10 kHz to 10 GHz).
<b>radio frequency power amplifier</b>	Amplifier having one or more active devices to amplify radio signals.
<b>Radio Interface Box</b>	Not used with XTL 5000. The radio communicates directly to the computer via a single programming cable. <i>See programming cable.</i>
<b>Radio Service Software</b>	Not used with XTL 5000. <i>See Customer Programming Software.</i>
<b>RAM</b>	<i>See random access memory.</i>
<b>random access memory</b>	A type of computer memory that can be accessed randomly; that is, any byte of memory can be accessed without touching the preceding bytes.
<b>read-only memory</b>	A type of computer memory on which data has been prerecorded. Once data has been written onto a ROM chip, it cannot be removed and can only be read.

Term	Definition
<b>real-time clock</b>	A module that keeps track of elapsed time even when a computer is turned off.
<b>receiver</b>	Electronic device that amplifies RF signals. A receiver separates the audio signal from the RF carrier, amplifies it, and converts it back to the original sound waves.
<b>registers</b>	Short-term data-storage circuits within the microcontroller unit or programmable logic IC.
<b>repeater</b>	Remote transmit/receive facility that re-transmits received signals in order to improve communications range and coverage (conventional operation).
<b>repeater/talkaround</b>	A conventional radio feature that permits communication through a receive/transmit facility, which re-transmits received signals in order to improve communication range and coverage.
<b>RESET</b>	Reset line: an input to the microcontroller that restarts execution.
<b>RF</b>	<i>See radio frequency.</i>
<b>RF PA</b>	<i>See radio frequency power amplifier.</i>
<b>RIB</b>	<i>See Radio Interface Box.</i>
<b>ROM</b>	<i>See read-only memory.</i>
<b>RPCIC</b>	Regulator/power control IC.
<b>RPT/TA</b>	<i>See repeater/talkaround.</i>
<b>RS232</b>	A common interface standard for data communications equipment.
<b>RSS</b>	<i>See Radio Service Software.</i>
<b>RTC</b>	<i>See real-time clock.</i>
<b>RX</b>	Receive.
<b>RX DATA</b>	Recovered digital data line.
<b>SAP</b>	<i>See Serial Audio CODEC Port.</i>
<b>SCI IN</b>	Serial Communications Interface Input line.
<b>Serial Audio CODEC Port</b>	SSI to and from the GCAP II IC CODEC used to transfer transmit and receive audio data.
<b>Serial Communication Interface Input Line</b>	A full-duplex (receiver/transmitter) asynchronous serial interface.
<b>SCI IN</b>	<i>See Serial Communication Interface Input Line.</i>

Term	Definition
<b>Serial Peripheral Interface</b>	How the microcontroller communicates to modules and ICs through the CLOCK and DATA lines.
<b>signal</b>	An electrically transmitted electromagnetic wave.
<b>Signal Qualifier mode</b>	An operating mode in which the radio is muted, but still continues to analyze receive data to determine RX signal type.
<b>softpot</b>	<i>See software potentiometer.</i>
<b>software</b>	Computer programs, procedures, rules, documentation, and data pertaining to the operation of a system.
<b>software potentiometer</b>	A computer-adjustable electronic attenuator.
<b>spectrum</b>	Frequency range within which radiation has specific characteristics.
<b>SPI</b>	<i>See Serial Peripheral Interface.</i>
<b>squelch</b>	Muting of audio circuits when received signal levels fall below a pre-determined value. With carrier squelch, all channel activity that exceeds the radio's preset squelch level can be heard.
<b>SRAM</b>	<i>See static RAM.</i>
<b>SRIB</b>	Smart Radio Interface Box. <i>See RIB.</i>
<b>SSI</b>	<i>See Synchronous Serial Interface.</i>
<b>Standby mode</b>	An operating mode in which the radio is muted but still continues to monitor data.
<b>static RAM</b>	A type of memory used for volatile, program/data memory that does not need to be refreshed.
<b>Synchronous Serial Interface</b>	DSP interface to peripherals that consists of a clock signal line, a frame synchronization signal line, and a data line.
<b>system central controllers</b>	Main control unit of the trunked dispatch system; handles ISW and OSW messages to and from subscriber units ( <i>See ISW and OSW</i> ).
<b>system select</b>	The act of selecting the desired operating system with the system-select switch (also, the name given to this switch).
<b>thin small-outline package</b>	A type of dynamic random-access memory (DRAM) package that is commonly used in memory applications.
<b>time-out timer</b>	A timer that limits the length of a transmission.
<b>TOT</b>	<i>See time-out timer.</i>
<b>transceiver</b>	Transmitter-receiver. A device that both transmits and receives analog or digital signals. Also abbreviated as XCVR.

Term	Definition
<b>transmitter</b>	Electronic equipment that generates and amplifies an RF carrier signal, modulates the signal, and then radiates it into space.
<b>TSOP</b>	<i>See thin small-outline package.</i>
<b>TX</b>	Transmit.
<b>UART</b>	<i>See also Universal Asynchronous Receiver Transmitter.</i>
<b>UHF</b>	Ultra-High Frequency.
<b>Universal Asynchronous Receiver Transmitter</b>	A microchip with programming that controls a computer's interface to its attached serial devices.
<b>Universal Serial Bus</b>	An external bus standard that supports data transfer rates of 12 Mbps.
<b>USB</b>	<i>See Universal Serial Bus.</i>
<b>VCO</b>	<i>See voltage-controlled oscillator.</i>
<b>vector sum excited linear predictive coding</b>	Not used with XTL 5000. Replaced with the APCO 25 standard. <i>See APCO 25.</i>
<b>VHF</b>	Very-High Frequency.
<b>VIP</b>	Vehicle Interface Port.
<b>VOCON</b>	<i>See vocoder/controller.</i>
<b>vocoder</b>	An electronic device for synthesizing speech by implementing a compression algorithm particular to voice. <i>See also voice encoder.</i>
<b>vocoder/controller</b>	A PC board that contains an ASTRO radio's microcontroller, DSP, memory, audio and power functions, and interface support circuitry.
<b>voice encoder</b>	The DSP-based system for digitally processing analog signals, and includes the capabilities of performing voice compression algorithms or voice encoding. <i>See also vocoder.</i>
<b>voltage-controlled oscillator</b>	An oscillator in which the frequency of oscillation can be varied by changing a control voltage.
<b>VSELP</b>	<i>See vector sum excited linear predictive coding.</i>

**Notes**

---

# Index

## Numerics

100W radios	
antenna connection	2-22
configurations	1-3
dimensions	1-1
installation	2-4, 2-6, 2-10
lock	2-18
trunnions	2-8

## A

accessories	
connector assembly	3-2, 3-3, 3-4, 3-7
assembly	3-9
disassembly	3-9
exploded view	3-9
installing	3-7
connector pins	3-2
headset	4-2, 4-18
installing	
dash mount	3-4
emergency pushbutton	3-3
footswitch	3-3
horn relay	3-4
light relay	3-4
remote mount	3-2, 3-6
port	2-15
rear jack connection	3-11
antenna	4-4
base/control stations	1-3
cable, see Cables, antenna	
connection	2-22
diagrams	2-22, 2-23
installing	2-21, 4-18
motorcycle	4-2
mounting	2-21
site	2-21

## B

base stations	1-3
black lead	2-18, 4-12, 4-18

## C

cables	4-2, 4-3, 4-4, 4-14
accessory	2-25, 3-3, 3-5, 3-6, 3-7, 3-13, 4-12, 4-18
adapter	3-10
antenna	2-7, 2-23
battery	3-7, 3-9
connection	5-1
diagrams	2-3, 2-4, 2-5, 2-6, 2-13, 2-16, 2-19, 2-20, 2-22, 4-12, 4-15
emergency	4-18

excess	4-14
ignition	2-21, 3-7
ignition sense	2-21
microphone	3-3, 4-1, 4-10
motorcycle control head	4-1, 4-7, 4-9, 4-12
motorcycle control head, installing	4-12
motorcycle transceiver	4-14
power	2-18, 4-12
programming	A-6
remote control	2-15
remote control, installing	2-15
remote mount	2-12, 3-6
routing	4-13
serial port	3-13
speaker	4-2, 4-11, 4-12
tools	1-4
transmit/receive control, installing	2-15
configurations	
100W radios	1-3
dash mount	1-2
dual control	1-3
motorcycle	1-3
remote mount	1-2
control head	2-12, 3-1, 3-2
cabling	2-12
dash mount	1-2
diagrams	2-13, 2-14
dual	1-3
handheld	3-5, 3-6
installation examples	2-2
models, photos of	2-12, 2-15
remote mount	1-2
see also specific model names	
wiring diagrams	2-3
control stations	1-3

## D

dash mount	
accessories installations	3-4
configuration	1-2
installation	2-3, 2-5
installation examples	2-2
radio dimensions	1-1
trunnion	2-9, 2-10
dual control	
configuration	1-3

## E

emergency footswitch	3-3, 3-5, 3-6
emergency pushbutton	3-3, 3-5, 3-6
emergency switch	
installing	4-18
wiring	4-19
external alarm	
installing	4-18
see also Horn relay or Light relay	

---

**F**

footswitch, emergency .....3-3, 3-5, 3-6

**G**

green lead ..... 2-15, 2-16, 2-17, 2-21, 4-18

**H**

high power, see 100W radios ..... 1-1  
horn relay ..... 3-3, 3-4, 3-5, 3-6, 3-7, 4-18

**I**

ignition  
  cable .....2-21, 3-7  
  switch .....2-15, 2-16, 2-17  
  wire .....4-12  
  wire, for motorcycle .....4-2  
installation  
  examples .....2-2  
  important hints .....4-3  
  order of .....4-4

**J**

J0103  
  pin configuration .....2-4  
J2 .....3-1, 3-2, 3-13  
  pin configuration .....2-3, 2-5, 3-11  
J3  
  pin configuration .....2-6

**L**

leads  
  black .....2-18, 4-12, 4-18  
  green .....2-15, 2-16, 2-17, 2-21, 4-18  
  orange .....2-15, 2-16, 2-17, 2-21  
light relay .....3-3, 3-4, 3-5, 3-6, 3-7, 4-18  
locking kit, installing .....2-18

**M**

microphone .....2-12, 4-1, 4-3  
  cable, see Cables, microphone  
  desk .....1-3  
  hang-up box .....2-25  
  hang-up clip, installing .....4-11  
  hang-up clip, standard .....2-24, 4-4, 4-6, 4-9  
  mounting .....4-3  
  S-hook .....2-10, 2-25, 5-1  
motorcycle  
  antenna .....4-2  
  configuration .....1-3  
  control head cable .....4-1  
  display unit .....4-1  
  external speaker .....4-2  
  headset .....4-2

ignition wire .....4-2  
installation .....4-2  
  antenna .....4-18  
  cables .....4-12  
  cabling .....4-14  
  control head .....4-5  
  emergency switch .....4-18, 4-19  
  external alarm .....4-18  
  fuel tank console .....4-7, 4-8, 4-10  
  handlebar .....4-6, 4-9  
  headset .....4-18  
  horn/lights wiring .....4-18  
  microphone hang-up clip .....4-11  
  speaker .....4-5, 4-10  
  transceiver .....4-14, 4-17  
  universal mounting plate .....4-4  
  weather-resistant enclosure .....4-13  
  microphone .....4-1  
  transceiver .....4-1  
mounting configurations .....2-7  
  dash .....1-2, 2-9  
  dual control .....1-3  
  motorcycle .....1-3  
  remote .....1-2, 2-10  
mounting plate, universal .....4-1, 4-2, 4-4  
  installing .....4-4  
mounting, antenna  
  restrictions .....2-22  
  roof top .....2-21  
  trunk lid .....2-21

**O**

orange lead .....2-15, 2-16, 2-17, 2-21  
ordering replacement parts .....A-1

**P**

parts, ordering replacement .....A-1  
pin  
  emergency .....3-3  
  functions .....3-12  
  ground .....3-3  
  naming schemes .....3-13  
  removal tool .....1-4  
  SW B+ .....3-1, 3-2, 3-4  
  VIP in .....3-2  
  VIP out .....3-1, 3-4  
pin configurations  
  J0103 .....2-4  
  J2 .....2-3, 2-5, 3-11  
  J3 .....2-6  
pushbutton, emergency .....3-3, 3-5, 3-6

**R**

rear accessory jack, see J2  
relays  
  horn .....3-3, 3-4, 3-5, 3-6, 3-7, 4-18  
  light .....3-3, 3-4, 3-5, 3-6, 3-7, 4-18  
remote mount  
  accessory installations .....3-2, 3-6  
  cable assembly .....3-6



- 
- cabling ..... 2-12
  - configuration ..... 1-2
  - control cable installation ..... 2-15
  - control head installation ..... 2-12, 2-15
  - installation ..... 2-4, 2-6
  - installation examples ..... 2-2
  - transmit/receive control cable installation ..... 2-15
  - trunnion ..... 2-10
  - replacement parts, ordering ..... A-1
- S**
- speaker ..... 4-4
    - cable, see Cables, speaker
    - connecting ..... 2-15, 2-25
    - external ..... 4-2
    - fuel tank console installation ..... 4-7, 4-8, 4-10
    - handlebar installation ..... 4-6, 4-9
    - installing ..... 4-5, 4-6, 4-10
    - mounting ..... 2-24
    - pigtail ..... 3-8
- T**
- tools, required ..... 1-4
  - trunnion ..... 2-12
    - 100W radios ..... 2-8
    - below dash mounting ..... 2-10
    - bracket for speaker ..... 2-24
    - dash mount ..... 2-9
    - diagrams ..... 2-13
    - locking kit ..... 2-18
    - motorcycle installation ..... 4-15
    - mounting bracket ..... 2-9
  - orientation ..... 2-7, 2-8
  - remote mount ..... 1-2, 2-10
  - transmission hump mounting ..... 2-9
- U**
- universal mounting plate ..... 4-1, 4-2, 4-4
    - installing ..... 4-4
- V**
- VIP
- connector ..... 3-3, 3-4, 5-1
  - connector cover ..... 2-12
  - input connections ..... 3-2
  - output connections ..... 3-1
- W**
- W3 control head ..... 2-5, 2-6, 2-15, 2-25
    - accessories ..... 3-6
    - cabling ..... 5-1
    - wiring ..... 3-7
  - W4 control head ..... 2-3, 2-4, 2-12, 2-13, 2-14, 2-15, 3-2, 3-4, 3-5, 3-6, 5-1
  - W5 control head ..... 2-3, 2-4, 2-12, 2-13, 2-14, 2-15, 3-2, 3-4, 3-5, 3-6, 5-1
  - W7 control head ..... 2-3, 2-4, 2-12, 2-13, 2-14, 2-15, 3-2, 3-4, 3-5, 3-6, 5-1
  - W9 control head ..... 2-4, 2-12, 2-14, 2-15, 3-2, 3-3, 3-4, 3-5, 3-6, 5-1
  - wiring diagrams ..... 2-3
-

---

**Notes**