

# **WM800 Wireless Solutions Wireless RSM PMMN4156\_ PMMN4158\_, Wireless RSM Battery PMNN4846\_, Dual-Unit Charger Base PMPN4652\_ User Guide**

**NOVEMBER 2023**

© 2023 Motorola Solutions, Inc. All Rights Reserved.



MN010200A01-AA

# Safety and Legal

This section provides the safety and legal information for this product.

## Intellectual Property and Regulatory Notices

### Copyrights

The Motorola Solutions products described in this document may include copyrighted Motorola Solutions computer programs. Laws in the United States and other countries preserve for Motorola Solutions certain exclusive rights for copyrighted computer programs. Accordingly, any copyrighted Motorola Solutions computer programs contained in the Motorola Solutions products described in this document may not be copied or reproduced in any manner without the express written permission of Motorola Solutions.

No part of this document may be reproduced, transmitted, stored in a retrieval system, or translated into any language or computer language, in any form or by any means, without the prior written permission of Motorola Solutions, Inc.

### Trademarks

MOTOROLA, MOTO, MOTOROLA SOLUTIONS, and the Stylized M Logo are trademarks or registered trademarks of Motorola Trademark Holdings, LLC and are used under license. All other trademarks are the property of their respective owners.

### License Rights

The purchase of Motorola Solutions products shall not be deemed to grant either directly or by implication, estoppel or otherwise, any license under the copyrights, patents or patent applications of Motorola Solutions, except for the normal non-exclusive, royalty-free license to use that arises by operation of law in the sale of a product.

### Open Source Content

This product may contain Open Source software used under license. Refer to the product installation media for full Open Source Legal Notices and Attribution content.

### European Union (EU) and United Kingdom (UK) Waste of Electrical and Electronic Equipment (WEEE) Directive



The European Union's WEEE directive and the UK's WEEE regulation require that products sold into EU countries and the UK must have the crossed-out wheeled bin label on the product (or the package in some cases). As defined by the WEEE directive, this crossed-out wheeled bin label means that customers and end-users in EU and UK countries should not dispose of electronic and electrical equipment or accessories in household waste.

Customers or end-users in EU and UK countries should contact their local equipment supplier representative or service centre for information about the waste collection system in their country.

### Disclaimer

Please note that certain features, facilities, and capabilities described in this document may not be applicable to or licensed for use on a specific system, or may be dependent upon the characteristics of a specific mobile

subscriber unit or configuration of certain parameters. Please refer to your Motorola Solutions contact for further information.

© 2023 Motorola Solutions, Inc. All Rights Reserved

## Notice to Users (FCC and Industry Canada)

This device complies with Part 15 of the FCC rules and Industry Canada's license-exempt RSS's per the following conditions:

- This device may not cause harmful interference.
- This device must accept any interference received, including interference that may cause undesired operation.
- Changes or modifications made to this device, not expressly approved by Motorola Solutions, could void the authority of the user to operate this equipment.

## Supplier's Declaration of Conformity

### Supplier's Declaration of Conformity

Per FCC CFR 47 Part 2 Section 2.1077(a)



#### Responsible Party

Name: Motorola Solutions, Inc.

Address: 2000 Progress Pkwy, Schaumburg, IL. 60196

Phone Number: 1-800-927-2744

Hereby declares that the product:

Model Name: **WM800**

conforms to the following regulations:

FCC Part 15, subpart B, section 15.107(a), 15.107(d), and section 15.109(a)

#### **Class B Digital Device**

As a personal computer peripheral, this device complies with Part 15 of the FCC Rules. Operation is subject to the following two conditions:

1. This device may not cause harmful interference, and

2. This device must accept any interference received, including interference that may cause undesired operation.



**NOTE:**

This equipment has been tested and found to comply with the limits for a Class B digital device, pursuant to part 15 of the FCC Rules. These limits are designed to provide reasonable protection against harmful interference in a residential installation. This equipment generates, uses and can radiate radio frequency energy and, if not installed and used in accordance with the instructions, may cause harmful interference to radio communications. However, there is no guarantee that interference will not occur in a particular installation.

If this equipment does cause harmful interference to radio or television reception, which can be determined by turning the equipment off and on, the user is encouraged to try to correct the interference by one or more of the following measures:

- Reorient or relocate the receiving antenna.
- Increase the separation between the equipment and receiver.
- Connect the equipment into an outlet on a circuit different from that to which the receiver is connected.
- Consult the dealer or an experienced radio or TV technician for help.

## Avis aux utilisateurs (FCC et Industrie Canada)

Le présent appareil est conforme aux CNR d'Industrie Canada applicables aux appareils radio exempts de licence et à la partie 15 des règlements de la FCC :

- Cet appareil ne doit pas causer d'interférence nuisible.
- Cet appareil doit accepter toute interférence reçue, y compris les interférences pouvant entraîner un fonctionnement indésirable.
- Toute modification effectuée à cet appareil sans l'autorisation explicite de Motorola Solutions peut annuler l'autorisation d'utiliser cet appareil.

## Déclaration de conformité du fournisseur

### Déclaration de conformité du fournisseur

Règlement CFR 47 partie 2 section 2.1077(a) de la FCC



Partie responsable

Nom: Motorola Solutions, Inc.

Adresse : 2000 Progress Pkwy, Schaumburg, IL 60196, U.S.A.

Numéro de téléphone : 1-800-927-2744.

Déclare par les présentes que le produit :

Nom de modèle: **WM800**

sont conformes aux réglementations suivantes:

Partie 15, sous-partie B, section 15.107(a), 15.107(d) et section 15.109(a) des règlements de la FCC

#### **Appareil numérique de Classe B**

En tant que périphérique d'ordinateur personnel, cet appareil est conforme aux stipulations de la partie 15 des règlements de la FCC. Cet appareil est conforme aux CNR d'Industrie Canada applicables aux appareils radio exempts de licence. Son utilisation est assujettie aux deux conditions suivantes :

1. Cet appareil ne doit pas causer d'interférence nuisible.
2. Cet appareil doit accepter toute interférence reçue, y compris les interférences pouvant entraîner un fonctionnement indésirable.



#### **AVIS :**

Cet équipement a fait l'objet de tests et a été déclaré conforme aux limites établies pour un appareil numérique de classe B, conformément à la section 15 des règlements de la FCC. Ces limites sont fixées afin d'offrir une protection suffisante contre des interférences nuisibles dans une installation résidentielle. Cet équipement génère, utilise et peut émettre de l'énergie de radiofréquence et, s'il n'est pas installé ou utilisé conformément aux instructions, il peut provoquer un brouillage nuisible aux communications radio. Cependant, il est impossible de garantir qu'il n'y aura aucune interférence dans une installation particulière.

Si cet appareil cause une interférence nuisible à la réception de la radio ou de la télévision, ce qui peut être déterminé en éteignant et en allumant l'appareil, vous êtes encouragé à remédier à la situation en prenant une ou plusieurs des mesures suivantes :

- Réorienter ou déplacer l'antenne réceptrice.
- Augmenter la distance entre l'équipement et le récepteur.
- Brancher l'appareil dans une autre prise sur un circuit différent de celui du récepteur.

Consulter un revendeur ou un technicien de radio ou de télévision chevronné pour obtenir de l'aide.

## **RF Energy Exposure and Product Safety Guide for Portable Two-Way Radios**

### **CAUTION:**

Before using this product, read this guide which contains RF energy awareness information and operating instructions.


For information on product details, user manuals, and approved accessories, refer to [www.motorolasolutions.com](http://www.motorolasolutions.com).

The WM800 Remote Speaker Microphone (RSM), when attached to the radio, is restricted to occupational use only to satisfy RF energy exposure requirements.

### **Compliance with RF Exposure Standards**

National and international regulations require manufacturers to comply with the RF energy exposure limits for portable two-way radios before they can be marketed. Your Motorola Solutions two-way radio is designed, manufactured, and tested to comply with all applicable national and international regulations for human exposure to radio frequency electromagnetic energy. When two-way radios are used as a consequence of employment, applicable regulations may require users to be fully aware of and able to control their exposure to meet occupational requirements.

## RF Energy Exposure Awareness and Control Information and Operational Instructions for Occupational Use

 **NOTE:** This device is intended for use in occupational/ controlled conditions where users are aware of their exposure and can exercise control over their exposure to meet the requirements in national and international regulations. This radio device is not authorized for general population, consumer use.


For more information on what RF energy exposure is, and how to control your exposure to ensure compliance with established RF exposure limits, consult the following websites:

- <https://www.fcc.gov/>
- <https://www.osha.gov/>
- <https://osha.europa.eu/en>
- <https://www.who.int/health-topics/electromagnetic-fields/>
- <http://www.ic.gc.ca/eic/site/smt-gst.nsf/eng/sf11467.html>
- <http://www.ic.gc.ca/eic/site/smt-gst.nsf/eng/sf01904.html>

For additional user training information on exposure requirements, consult the following websites:

- <http://responsibility.motorolasolutions.com/index.php/ourapproach/wirelesscommhealth/>
- <http://learning.motorolasolutions.com/>

## Information de sensibilisation et de gestion de l'exposition à l'énergie RF, et consignes relatives à l'utilisation professionnelle

 **AVIS:** Cet appareil a été conçu pour un usage professionnel dans un environnement contrôlé, où les utilisateurs sont pleinement conscients de l'exposition à l'énergie RF à laquelle ils sont soumis et peuvent exercer un contrôle sur cette exposition afin de respecter les limites établies par les règlements nationaux et internationaux. Cet appareil radio n'est pas autorisé pour l'utilisation par la population générale et les consommateurs.

Visitez les sites Web suivants pour obtenir plus de renseignements sur ce qu'est l'énergie RF et sur les moyens de contrôle à prendre afin de respecter les limites établies en matière d'exposition aux radiofréquences:

- <https://www.fcc.gov/>
- <https://www.osha.gov/>
- <https://osha.europa.eu/en>
- <https://www.who.int/health-topics/electromagnetic-fields/>
- <http://www.ic.gc.ca/eic/site/smt-gst.nsf/eng/sf11467.html>
- <http://www.ic.gc.ca/eic/site/smt-gst.nsf/eng/sf01904.html>

Pour plus de renseignements sur la formation des utilisateurs relativement aux limites d'exposition, consultez les sites suivants:

- <http://responsibility.motorolasolutions.com/index.php/ourapproach/wirelesscommhealth/>
- <http://learning.motorolasolutions.com/>

## RF Exposure Compliance and Control Guidelines

To control your exposure, and ensure compliance with the relevant RF exposure limits, always adhere to the following guidelines:

- Do not remove any of the RF Exposure Labels if present from this device or its related accessories.
- Attach these instructions to the device when you transfer it to other users.
- Do not use this device if the operational requirements described herein are not met.

## Operating Instructions

- Transmit no more than 50% of the time. To transmit (talk), press the Push-To-Talk (PTT) button. To receive calls, release the PTT button. Transmitting more than 50% of the time may cause RF exposure compliance requirements to be exceeded.
- Hold the microphone in a vertical position in front of the face with the microphone at least one inch (2.5 centimeters) away from the nose or lips.
- Body Worn Operation. When microphone is worn on the body, always use Motorola Solutions-approved clip for this product. Using approved body-worn accessories is important because the use of non-Motorola Solutions-approved accessories may result in exposure levels, which exceed the FCC occupational/controlled environment RF exposure limits.
- Use only Motorola Solutions-approved supplied or replacement batteries. Use of non-Motorola Solutions-approved batteries may exceed the applicable RF exposure guidelines (IEEE, ICNIRP, or FCC).
- For a list of Motorola Solutions approved accessories please refer to your user manual or visit <http://www.motorolasolutions.com>.

## Acoustic Safety

Exposure to loud noises from any source for extended periods of time may temporarily or permanently affect your hearing. The louder the volume of the radio, the sooner your hearing will be affected. Hearing damage from loud noise is sometimes undetectable at first, and can have a cumulative effect. To protect your hearing:

- Use the lowest volume necessary to do your job.
- Turn up the volume only if you are in noisy surroundings.
- Turn down the volume before adding headset or earpiece.
- Limit the amount of time you use headsets or earpieces at high volume.
- When using the radio without a headset or earpiece, do not place the radio's speaker directly against your ear.
- If you experience hearing discomfort, ringing in your ears, or speeches that are muffled, you should stop listening to your radio through your headset or earpiece, and have your hearing checked by your doctor.

## Medical Devices

If you use a personal medical device, such as a pacemaker or hearing aid, consult the manufacturer of your device to determine if it is adequately shielded from RF energy. Your physician may be able to assist you in obtaining this information.

## Operational Warnings

The following explains the operational warnings:

### For Vehicle With Air Bags

The following explains the operational warnings:



**WARNING:**

- Refer to vehicle manufacturer's manual prior to installation of electronic equipment to avoid interference with air bag wiring.
- DO NOT place a portable radio in the area over an air bag or in the air bag deployment area. Air bags inflate with great force. If a portable radio is placed in the air bag deployment area and the air bag inflates, the radio may be propelled with great force and cause serious injury to occupants of the vehicle.

## Batteries



**CAUTION:** Use only Motorola Solutions approved batteries.

- Risk of explosion if the battery is replaced by an incorrect type.
- Charge your battery using the approved Motorola Solutions charger.
- Connect the charger/power supply to a nearby and easily accessible power outlet.
- Use the battery in accordance with its water and/or dust Ingress Protection (IP) rating.
- Do not discard your battery into a fire.
- Do not replace the battery in any area labeled "Hazardous Atmosphere".
- Do not disassemble, crush, puncture, shred, or otherwise attempt to change the form of your battery.
- Do not dry a wet or damp battery with an appliance or heat source, such as a hair dryer or microwave oven.
- Do not allow conductive material such as jewelry, keys, or beaded chains to touch exposed battery terminals.
- Do not dispose of batteries with household waste.

## Do Not Substitute Options or Accessories

The Motorola Solutions communications equipment certified as intrinsically safe by the approving agency (UL, CSA, CENELEC) is tested as a complete system which consists of the listed agency Approved portable, Approved battery, and Approved accessories or options, or both. This Approved portable and battery combination must be strictly observed. There must be no substitution of items, even if the substitute has been previously Approved with a different Motorola Solutions communications equipment unit. Approved configurations are listed by the Approving Agency (UL, CSA, CENELEC).

The Hazardous Location-Approved Label affixed to radio refers to the intrinsically safe classification of that radio product, and the approved batteries that can be used with that system.

The manual part number referenced on the Hazardous Location-Approved Label identifies the approved Accessories and or options that can be used with that portable radio unit.

Using a non-Motorola Solutions-Hazardous Location-Approved battery and/or accessory with the Motorola Solutions approved radio unit will void the Hazardous Location approval of that radio unit.



## Important Information

### CAUTION:

- Do not charge your accessory in temperature below 0 °C (32 °F) or above 45 °C (113 °F). Do not store your accessory in direct sunlight or where expected temperatures can exceed this range such as inside a parked car.
- Storing your fully charged accessory in high temperature conditions may permanently reduce the life of the battery.
- Battery life may temporarily shorten in low-temperature conditions.
- The Remote Speaker Microphone (RSM) should be stored between 20 °C (68 °F) and 30 °C (86 °F) to minimize battery permanent capacity loss.
- To prevent injury, do not disassemble, puncture, or crush the RSM because this action can cause the battery to short-circuit.
- Do not expose or throw the RSM into heat or fire.
- Do not dispose the RSM into household waste.
- Do not fill the audio jack and USB charging port with water. If water enters the audio jack and/or USB charging port, remove water by shaking the RSM. Always cover the audio jack and USB charging port with a dust cap when not in use.

## Battery Information

Battery is shipped with a nominal charge below 30%.

### NOTE:

- To maximize your battery performance and lifespan, avoid depleting your battery completely.
- To minimize permanent capacity loss, store the battery within the temperature range of 20 °C (68 °F) and 30 °C (86 °F).

## Chargers Safety Information

### Important Safety Information

This document contains important safety and operating instructions. Please read these instructions carefully and save them for future reference.

Before using the battery charger, read all the instructions and cautionary markings on (1) the Dual-Unit Charger (2) the battery, and (3) on the Wireless Remote Speaker Microphone (WM800 RSM).

### WARNING:

1. To reduce risk of injury, charge only the rechargeable Motorola Solutions authorized batteries listed in [Table 3: Replaceable Parts on page 20](#). Other batteries may explode, causing personal injury and damage.
2. Use of accessories not recommended by Motorola Solutions may result in risk of fire, electric shock, or injury.
3. To reduce risk of damage to the electric plug and cord, pull by the plug rather than the cord when disconnecting the charger.

4. An extension cord should not be used unless absolutely necessary. Use of an improper extension cord could result in risk of fire and electric shock. If an extension cord must be used, make sure that the cord size is 18 AWG for lengths of up to 100 ft (30.48 m), and 16 AWG for lengths up to 150 ft (45.72 m).
5. To reduce risk of fire, electric shock, or injury, do not operate the charger if it has been broken or damaged in any way. Take it to a qualified Motorola Solutions service representative.
6. Do not disassemble the charger – it is not repairable and replacement parts are not available. Disassembly of the charger may result in risk of electric shock or fire.
7. To reduce risk of electric shock, unplug the charger from the AC outlet before attempting any maintenance or cleaning.

## Operational Safety Guidelines

- This Dual-Unit Charger (DUC) is not suitable for outdoor use. Use only in dry locations or conditions.
- Connect the equipment only to an appropriately fused and wired supply of the correct voltage, as specified on the product.
- Ensure the WM800 RSM with attached battery or stand-alone battery is dry before inserting into the DUC.
- Disconnect the DUC from line voltage by removing the main plug from the outlet.
- The socket outlet to which this equipment is connected must be close by and easily accessible.
- Maximum ambient temperature around the charger must not exceed 50 °C (122 °F).
- Ensure that the cord is located in an area that is safe from being stepped on, tripped over, or subjected to water, damage, or stress.
- Output power from power supply unit must not exceed the ratings specified on the product label located on the bottom of the charger.

## Service and Support

The PMMN4158\_, PMPN4652\_, and PMNN4846 are not repairable. Replacement parts are available for order separately.

For ordering or any technical troubleshooting assistance, contact Motorola Solutions Customer Care.

**Table 1: Motorola Solutions Customer Care**

<b>Regions</b>	<b>Contact Number</b>
United States and Canada	1-800-927-2744
Latin America	(5) 257-6700 or (571) 602-1111
European (Repair and Service Centre)	+49-30-6686-1555
Asia	1-800-88-0089 (Contact your Motorola Solutions Dealer for Support)

# Warranty

Motorola Solutions offers warranty for your RSM. Refer to your Motorola Solutions dealer or point-of-purchase for detailed information.



**NOTE:** Warranty is void after customer replacement of any parts other than replacement parts listed.

## Commercial Warranty

### Limited Warranty

For information on warranty terms, see the Support page at <https://www.motorolasolutions.com>.

## I. What This Warranty Covers And For How Long

Motorola Solutions Inc. ("Motorola Solutions") warrants the Motorola Solutions manufactured Communication Products listed below ("Product") against defects in material and workmanship under normal use and service for a period of time from the date of purchase as scheduled below:

Motorola Solutions, at its option, will at no charge either repair the Product (with new or reconditioned parts), replace it (with a new or reconditioned Product), or refund the purchase price of the Product during the warranty period provided it is returned in accordance with the terms of this warranty. Replaced parts or boards are warranted for the balance of the original applicable warranty period. All replaced parts of Product shall become the property of Motorola Solutions.

This express limited warranty is extended by Motorola Solutions to the original end user purchaser only and is not assignable or transferable to any other party. This is the complete warranty for the Product manufactured by Motorola Solutions. Motorola Solutions assumes no obligations or liability for additions or modifications to this warranty unless made in writing and signed by an officer of Motorola Solutions. Unless made in a separate agreement between Motorola Solutions and the original end user purchaser, Motorola Solutions does not warrant the installation, maintenance or service of the Product.

Motorola Solutions cannot be responsible in any way for any ancillary equipment not furnished by Motorola Solutions which is attached to or used in connection with the Product, or for operation of the Product with any ancillary equipment, and all such equipment is expressly excluded from this warranty. Because each system which may use the Product is unique, Motorola Solutions disclaims liability for range, coverage, or operation of the system as a whole under this warranty.

## II. General Provisions

This warranty sets forth the full extent of Motorola Solutions responsibilities regarding the Product. Repair, replacement or refund of the purchase price, at Motorola Solutions option, is the exclusive remedy.

This warranty is given in lieu of all other express warranties, implied warranties, including without limitation, implied warranties of merchantability and fitness for a particular purpose, are limited to the duration of this limited warranty. In no event shall Motorola Solutions be liable for damages in excess of the purchase price of the product, for any loss of use, loss of time, inconvenience, commercial loss, lost profits or savings or other incidental, special or consequential damages arising out of the use or inability to use such product, to the full extent such may be disclaimed by law.

### III. State Law Rights (Applicable Only in U.S.A.)

Some states do not allow the exclusion or limitation of incidental or consequential damages or limitation on how long an implied warranty lasts, so the above limitation or exclusions may not apply.

This warranty gives specific legal rights, and there may be other rights which may vary from state to state.

### IV. How To Get Warranty Service

You must provide proof of purchase (bearing the date of purchase and Product item serial number) in order to receive warranty service and, also, deliver or send the Product item, transportation, and insurance prepaid, to an authorized warranty service location.

Warranty service will be provided by Motorola Solutions through one of its authorized warranty service locations. If you first contact the company which sold you the Product, it can facilitate your obtaining warranty service.

You can also call Motorola Solutions at 1-800-927-2744 US/Canada.

### V. What This Warranty Does Not Cover

This warranty does not cover the following conditions:

- Defects or damage resulting from use of the Product in other than its normal and customary manner.
- Defects or damage from misuse, accident, water, or neglect.
- Defects or damage from improper testing, operation, maintenance, installation, alteration, modification, or adjustment.
- Breakage or damage to antennas unless caused directly by defects in material workmanship.
- A Product subjected to unauthorized Product modifications, disassemblies or repairs (including, without limitation, the addition to the Product of non-Motorola Solutions supplied equipment) which adversely affect performance of the Product or interfere with Motorola Solutions normal warranty inspection and testing of the Product to verify any warranty claim.
- Product which has had the serial number removed or made illegible.
- Rechargeable batteries if:
  - Any of the seals on the battery enclosure of cells are broken or show evidence of tampering.
  - The damage or defect is caused by charging or using the battery in equipment or service other than the Product for which it is specified.
- Freight costs to the repair depot.
- A Product which, due to illegal or unauthorized alteration of the software/firmware in the Product, does not function in accordance with Motorola Solutions published specifications or the FCC type acceptance labeling in effect for the Product at the time the Product was initially distributed from Motorola Solutions.
- Scratches or other cosmetic damage to Product surfaces that does not affect the operation of the Product.
- Normal and customary wear and tear.

### VI. Patent And Software Provisions

Motorola Solutions will defend, at its own expense, any suit brought against the end user purchaser to the extent that it is based on a claim that the Product or parts infringe a United States patent, and Motorola Solutions will pay those costs and damages finally awarded against the end user purchaser in any such suit which are attributable to any such claim.

But such defense and payments are conditioned on the following:

- Motorola Solutions will be notified promptly in writing by such purchaser of any notice of such claim.
- Motorola Solutions will have sole control of the defense of such suit and all negotiations for its settlement or compromise.
- Product or parts become, or in Motorola Solutions opinion be likely to become, the subject of a claim of infringement of a United States patent, that such purchaser will permit Motorola Solutions, at its option and expense, either to procure for such purchaser the right to continue using the Product or parts or to replace or modify the same so that it becomes noninfringing or to grant such purchaser a credit for the Product or parts as depreciated and accept its return. The depreciation will be an equal amount per year over the lifetime of the Product or parts as established by Motorola Solutions.

Motorola Solutions will have no liability with respect to any claim of patent infringement which is based upon the combination of the Product or parts furnished hereunder with software, apparatus or devices not furnished by Motorola Solutions, nor will Motorola Solutions have any liability for the use of ancillary equipment or software not furnished by Motorola Solutions which is attached to or used in connection with the Product. The foregoing states the entire liability of Motorola Solutions with respect to infringement of patents by the Product or any parts thereof.

Laws in the United States and other countries preserve for Motorola Solutions certain exclusive rights for copyrighted Motorola Solutions software such as the exclusive rights to reproduce in copies and distribute copies of such Motorola Solutions software. Motorola Solutions software may be used in only the Product in which the software was originally embodied and such software in such Product may not be replaced, copied, distributed, modified in any way, or used to produce any derivative thereof. No other use including, without limitation, alteration, modification, reproduction, distribution, or reverse engineering of such Motorola Solutions software or exercise of rights in such Motorola Solutions software is permitted. No license is granted by implication, estoppel or otherwise under Motorola Solutions patent rights or copyrights.

## VII. Governing Law

This Warranty is governed by the laws of the State of Illinois, USA.

## Warranty Exclusion

Motorola Solutions does not warrant the installation, maintenance or service of the Product, accessories, batteries, or parts. Motorola Solutions will not be responsible in any way for problems or damage caused by any ancillary equipment or peripherals (specific examples include, but are not limited to: batteries, chargers, adapters, and power supplies) not furnished or manufactured by Motorola Solutions, which is attached to or used in connection with the Product. When the Product is used in conjunction with ancillary or peripheral equipment not supplied by Motorola Solutions, Motorola Solutions does not warrant the operation of the Product/ peripheral combination and Motorola Solutions will not honor any warranty claim where the Product is used in such a combination and it is determined by Motorola Solutions that there is no fault with the Product. Upon open or dismantle the Product, warranty is immediately voided. Motorola Solutions specifically disclaim any responsibility for any damage in any way caused by improper installation by unauthorized personnel.

# Contact Us

The Centralized Managed Support Operations (CMSO) is the primary contact for technical support included in your organization's service agreement with Motorola Solutions.

Service agreement customers should be sure to call the CMSO in all situations listed under Customer Responsibilities in their agreement, such as:

- To confirm troubleshooting results and analysis before taking action

Your organization received support phone numbers and other contact information appropriate for your geographic region and service agreement. Use that contact information for the most efficient response. However, if needed, you can also find general support contact information on the Motorola Solutions website, by following these steps:

1. Enter [motorolasolutions.com](https://motorolasolutions.com) in your browser.
2. Ensure that your organization's country or region is displayed on the page. Clicking or tapping the name of the region provides a way to change it.
3. Select "Support" on the [motorolasolutions.com](https://motorolasolutions.com) page.

## Comments

Send questions and comments regarding user documentation to [documentation@motorolasolutions.com](mailto:documentation@motorolasolutions.com).

Provide the following information when reporting a documentation error:

- The document title and part number
- The page number or title of the section with the error
- A description of the error

Motorola Solutions offers various courses designed to assist in learning about the system. For information, go to <https://learning.motorolasolutions.com> to view the current course offerings and technology paths.

# Icon Conventions

The documentation set is designed to give the reader more visual clues. The following graphic icons are used throughout the documentation set.



**DANGER:** The signal word DANGER with the associated safety icon implies information that, if disregarded, will result in death or serious injury.



**WARNING:** The signal word WARNING with the associated safety icon implies information that, if disregarded, could result in death or serious injury, or serious product damage.



**CAUTION:** The signal word CAUTION with the associated safety icon implies information that, if disregarded, may result in minor or moderate injury, or serious product damage.

**CAUTION:** The signal word CAUTION may be used without the safety icon to state potential damage or injury that is not related to the product.




**IMPORTANT:** IMPORTANT statements contain information that is crucial to the discussion at hand, but is not CAUTION or WARNING. There is no warning level associated with the IMPORTANT statement.



**NOTE:** NOTICE contains information more important than the surrounding text, such as exceptions or preconditions. They also refer the reader elsewhere for additional information, remind the reader how to complete an action (when it is not part of the current procedure, for instance), or tell the reader where something is on the screen. There is no warning level associated with a notice.

# Style Conventions

The following style conventions are used:

Convention	Description
<b>Bold</b>	This typeface is used for names of, for instance, windows, buttons, and labels when these names appear on the screen (example: the <b>Alarms Browser</b> window). When it is clear that we are referring to, for instance, a button, the name is used alone (example: Click <b>OK</b> ).
Monospacing font in bold	This typeface is used for words to be typed in exactly as they are shown in the text (example: In the <b>Address</b> field, type <code>http://ucs01.ucs:9080/</code> ).
Monospacing font	This typeface is used for messages, prompts, and other text displayed on the computer screen (example: A new trap destination has been added).
<i>&lt;Monospacing font in bold Italic&gt;</i>	This typeface is used with angle brackets as placeholders for a specific member of the group that the words represent (example: <i>&lt;router number&gt;</i> ).  <b>NOTE:</b> In sequences to be typed in, the angle brackets are omitted to avoid confusion whether to include the angle brackets in the text to be typed.
CAPITAL LETTERS	This typeface is used for keyboard keys (example: Press Y, and then press ENTER).
<i>Italic</i>	This typeface is used for citations. A citation usually is the name of a document or a phrase from another document (example: <i>Dimetra IP System Overview</i> ).
→	An → (arrow pointing right) is used for indicating the menu or tab structure in instructions on how to select a certain menu item (example: <b>File</b> → <b>Save</b> ) or a certain subtab.



# Contents

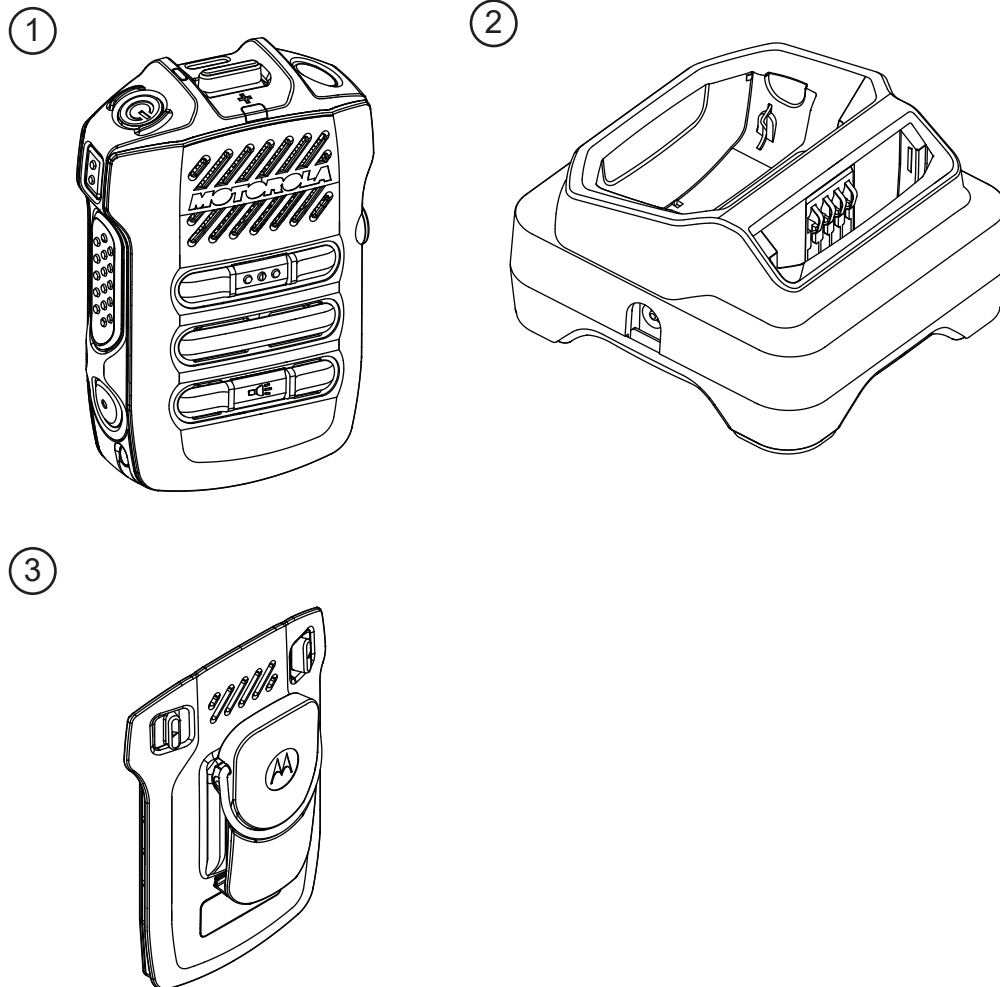
<b>Safety and Legal</b> .....	<b>2</b>
<b>Contact Us</b> .....	<b>12</b>
<b>Icon Conventions</b> .....	<b>13</b>
<b>Style Conventions</b> .....	<b>14</b>
<b>Chapter 1: Overview</b> .....	<b>17</b>
1.1 Radio Compatibility.....	18
1.2 Firmware Upgrade.....	18
1.3 Radio Firmware Requirement.....	18
1.4 Replaceable Parts.....	18
1.5 Motorola Solutions Approved Accessories.....	19
<b>Chapter 2: WM800 Remote Speaker Microphone</b> .....	<b>20</b>
2.1 Getting Started.....	21
2.1.1 Attaching the Battery.....	21
2.1.2 Detaching the Battery.....	22
2.1.3 Recommended Wearing Positions.....	23
2.1.3.1 Locking the Tethering Kit Accessory.....	24
2.1.3.2 Unlocking the Tethering Kit Accessory.....	24
2.2 Status Indications.....	25
2.2.1 Power LED Indications.....	25
2.2.2 Audio and Bluetooth LED Indication.....	26
2.2.3 Sign of Life Indication.....	27
2.2.3.1 Device in On or Connected State.....	27
2.2.3.2 Device in Charging State.....	27
2.3 WM800 RSM General Operations.....	28
2.3.1 Powering the WM800 RSM On or Off .....	28
2.3.2 WM800 RSM Pairing.....	29
2.3.2.1 Pairing Your WM800 RSM Through Bluetooth.....	29
2.3.2.2 Pairing Your WM800 RSM Through Secure NFC (recommended for higher security level).....	29
2.3.3 WM800 RSM Auto Power Off.....	31
2.3.3.1 Subsequent Connection.....	31
2.3.3.2 Removing Paired Devices.....	32
2.3.4 Setting Voice Prompt.....	32
2.3.5 Setting Tone.....	32
2.3.6 Setting Volume.....	33

2.3.7 Using the Task Light.....	33
2.3.8 Activating Dark Mode.....	33
2.3.8.1 Using Task Light in Dark Mode.....	34
2.3.9 Activating Covert Mode.....	34
2.3.10 Activating Secure Mode or Open Mode.....	35
2.3.10.1 Powering up WM800 RSM in Secure Mode.....	35
2.3.11 Activating Voice Control.....	36
2.3.12 Secondary Audio Accessory.....	36
2.3.12.1 Attaching Secondary Audio Accessory.....	36
2.3.13 Button Bad Bonks.....	37
2.3.14 Failure Detected Indication and Handling.....	37
2.3.15 Troubleshooting.....	37
<b>Chapter 3: Dual-Unit Charger.....</b>	<b>38</b>
3.1 Charger Overview.....	38
3.2 Motorola Solutions Authorized Battery.....	39
3.3 Motorola Solutions Authorized Power Supplies.....	39
3.4 Operating Instructions.....	39
3.4.1 Charging Indication.....	41
3.4.2 Charging WM800 RSM with USB-C.....	41

## Chapter 1

# Overview

This user manual describes the WM800 RSM PMMN4158\_, Wireless RSM Battery PMNN4846\_, and Dual-Unit Charger (DUC) PMPN4652\_.



**Table 2: WM800 Wireless Solutions**

Item	Description
1	Wireless Remote Speaker Microphone PMMN4158_
2	Dual-Unit Charger PMPN4652_
3	Wireless RSM Battery PMNN4846_

## 1.1

# Radio Compatibility

The following radios are compatible with the WM800 Wireless Remote Speaker Microphone (RSM):

- APX NEXT™
- Compatible Radio Firmware Version

## 1.2

# Firmware Upgrade

You can upgrade the WM800 RSM through the compatible radios. Refer to the radio user manuals for more information.

Alternatively, you can download and install the Accessory Manager application from the Google Play Store on your phone for future firmware upgrades and new feature releases.

## 1.3

# Radio Firmware Requirement

WM800 RSM firmware upgrade is only compatible with the following software version and later:

- APX NEXT Radios: R04.80.00
- Accessory Manager: 1.0.15

## 1.4

# Replaceable Parts

The PMMN4158\_ and PMPN4652\_ are not repairable. The following replacement parts are available for order from Motorola Solutions.

**Table 3: Replaceable Parts**

Part Number	Description
PMMN4156_	Wireless RSM (without battery)
PMNN4846_	Wireless RSM Battery
PMPN4652_	Dual-Unit Charger (DUC) Base
PMPN4653_	Dual-Unit Charger (DUC) with Power Supply (US Plug)
PMKN4294_	USB-C Cable (1 m)
PMLN9067_	Tethering Kit Accessory (Pack of 10)
PMLN8312_	Low Profile Swivel Clip with D-Ring
PMLN8120_	Rx-Only XL Clear Tube Earpiece, 3.5 mm Jack

1.5

## Motorola Solutions Approved Accessories

This section provides the list of approved accessories for the WM800 Remote Speaker Microphone (RSM).

**Table 4: Earpiece**

Part Number	Description
PMLN8120_	Rx-Only XL Clear Tube Earpiece, 3.5 mm Jack

Chapter 2

# WM800 Remote Speaker Microphone

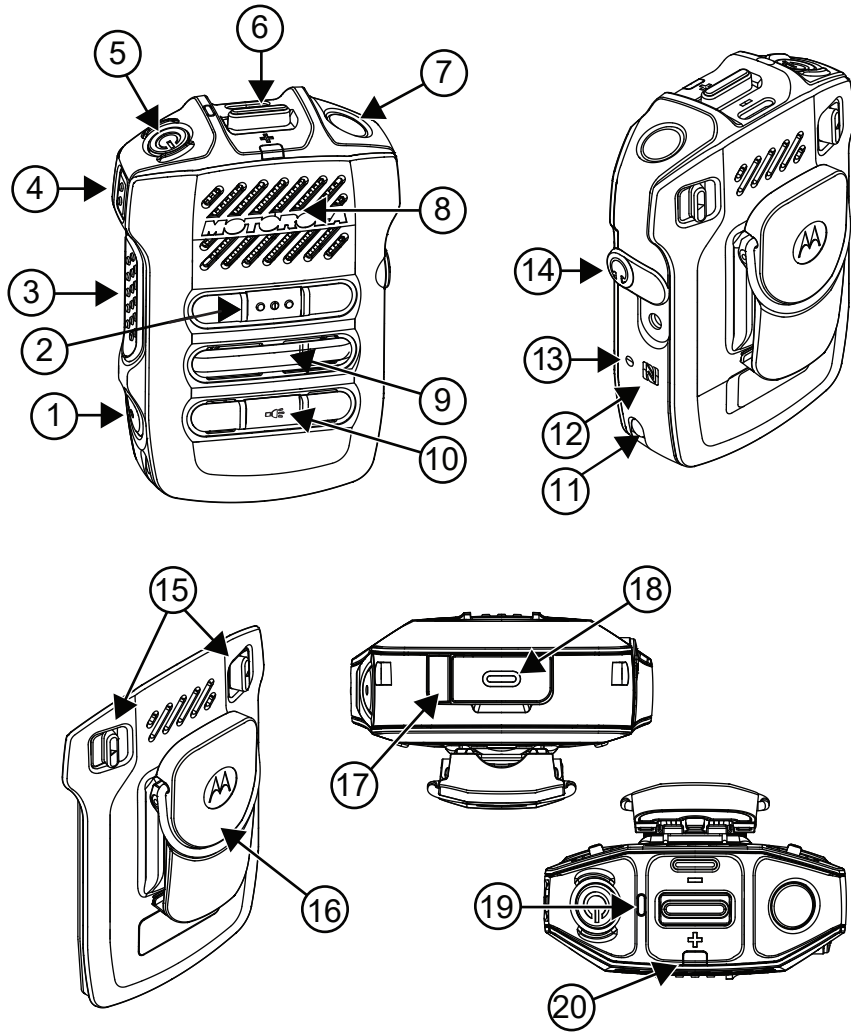


Table 5:

No.	Description
1	1-Dot Programmable Button
2	3-Dot Programmable Button
3	Push-To-Talk (PTT) Button
4	2-Dot Programmable Button
5	Power Button
6	Volume Toggle
7	Emergency Button