



# FCC Part 96.47 TEST REPORT

**FCC ID** : AZ489FT7151  
**Equipment** : MSLB-MKZ920 400-512 4W LTE CBRS GNSS BT WiFi  
**Brand Name** : Motorola Solutions  
**Model Name** : MSLB-MKZ920  
**Applicant** : Motorola Solutions, Inc.  
8000 West Sunrise Blvd , Ft Lauderdale, Florida  
United States 33322  
**Manufacturer** : Motorola Solutions, Inc.  
8000 West Sunrise Blvd , Ft Lauderdale, Florida  
United States 33322  
**Standard** : FCC Part 96.47  
**RF Interface** : LTE B48

The product was received on Apr. 20, 2022 and testing was performed from Aug. 26, 2022 to Aug. 26, 2022. We, Sporton International Inc. Wensan Laboratory, would like to declare that the tested sample has been evaluated in accordance with the test procedures and has been in compliance with the applicable technical standards.

The test results in this report apply exclusively to the tested model / sample. Without written approval of Sporton International Inc. Wensan Laboratory, the test report shall not be reproduced except in full.

Approved by: Jones Tsai

**Sporton International Inc. Wensan Laboratory**

No.58, Aly. 75, Ln. 564, Wenhua 3rd, Rd., Guishan Dist., Taoyuan City 333010, Taiwan (R.O.C.)



## Table of Contents

**History of this test report.....3**

**Summary of Test Result.....4**

**1 General Description .....5**

    1.1 Product Feature of Equipment Under Test.....5

    1.2 Modification of EUT .....5

    1.3 Testing Location .....5

    1.4 Applicable Standards.....6

**2 Test Configuration of Equipment Under Test .....7**

    2.1 Connection Diagram of Test System.....7

**3 End User Device additional requirement .....8**

    3.1 Test Requirement .....8

    3.2 Test Procedure .....8

    3.3 Test Result.....9

**4 List of Measuring Equipment.....11**



### History of this test report

Report No.	Version	Description	Issue Date
FG240701B	01	Initial issue of report	Aug. 31, 2022



### Summary of Test Result

Report Clause	Ref Std. Clause	Test Items	Result (PASS/FAIL)	Remark
3	96.47	End User Device additional requirement	Pass	-

**Declaration of Conformity:**  
The test results (PASS/FAIL) with all measurement uncertainty excluded are presented in accordance with the regulation limits or requirements declared by manufacturers. It's means measurement values may risk exceeding the limit of regulation standards, if measurement uncertainty is include in test results.

**Comments and Explanations:**  
The product specifications of the EUT presented in the report are declared by the manufacturer who shall take full responsibility for the authenticity.

**Reviewed by: Keven Cheng**  
**Report Producer: Ruby Zou**



# 1 General Description

## 1.1 Product Feature of Equipment Under Test

Product Feature	
Equipment	MSLB-MKZ920 400-512 4W LTE CBRS GNSS BT WiFi
Brand Name	Motorola Solutions
Model Name	MSLB-MKZ920
FCC ID	AZ489FT7151
IMEI Code	350435580014334
EUT supports Radios application	LTE
EUT Stage	Identical Prototype

**Remark:** The above EUT's information was declared by manufacturer. Please refer to Comments and Explanations in report summary.

Accessory List		
Battery 1	Brand Name :	MOTOROLA
	Model Name :	PMNN4805
Battery 2	Brand Name :	MOTOROLA
	Model Name :	PMNN4803

## 1.2 Modification of EUT

No modifications are made to the EUT during all test items.

## 1.3 Testing Location

Test Site	Sporton International Inc. Wensan Laboratory
Test Site Location	No.58, Aly. 75, Ln. 564, Wenhua 3rd, Rd., Guishan Dist., Taoyuan City 333010, Taiwan (R.O.C.) TEL: +886-3-327-0868 FAX: +886-3-327-0855
Test Site No.	<b>Sporton Site No.</b> TH05-HY
Test Engineer	Mina Liu
Temperature	22 ~ 25°C
Relative Humidity	41 ~ 45%

FCC designation No.: TW3786



## **1.4 Applicable Standards**

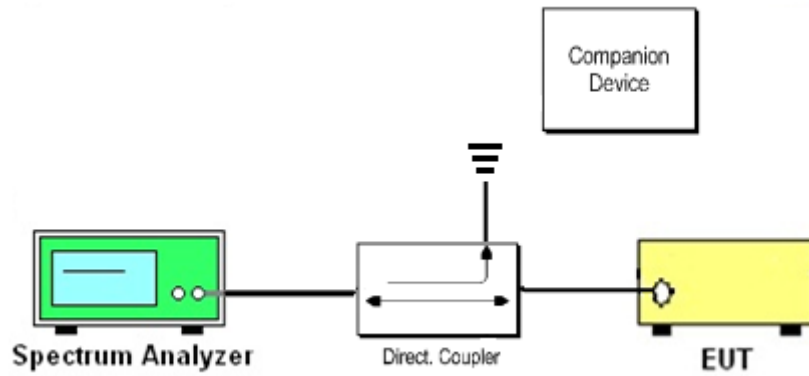
- ♦ FCC Part 96.47
- ♦ FCC KDB 940660 D01 Part 96 CBRS Eqpt v03
- ♦ WINNF-TS-0122-V1.0.2 CBRS CBSD Test Specification

**Remark:**

1. All test items were verified and recorded according to the standards and without any deviation during the test.
2. The TAF code is not including all the FCC KDB listed without accreditation.

## 2 Test Configuration of Equipment Under Test

### 2.1 Connection Diagram of Test System



The companion device is certified CBSD (FCC ID: S9GQ710US02)



### 3 End User Device additional requirement

#### 3.1 Test Requirement

FCC Part 96.47

(a) End User Devices may operate only if they can positively receive and decode an authorization signal transmitted by a CBSD, including the frequencies and power limits for their operation.

(1) An End User Device must discontinue operations, change frequencies, or change its operational power level within 10 seconds of receiving instructions from its associated CBSD.

#### 3.2 Test Procedure

Following procedure can be done by applying WINNF-TS-0122-V1.0.2 CBRS CBSD Test Specification, use the certified Ruckus CBSD (FCC ID: S9GQ710US02) as companion device to show compliance with Part 96.47 requirement for End User Device (EUD):

1. Setup with frequency 3600-3620MHz and power level 7dBm/MHz
2. Enable AP service from Ruckus Cloud management
3. Check EUD Tx Frequency and power
4. Disable AP service from Ruckus Cloud management
  - a. Check EUD stops transmission within 10seconds.
  
5. Setup with 3670-3690MHz & power level 17dBm/MHz
6. Enable AP service from Ruckus Cloud management
7. Check EUD Tx Frequency and power
8. Disable AP service from Ruckus Cloud management
  - a. Check EUD stops transmission within 10seconds.

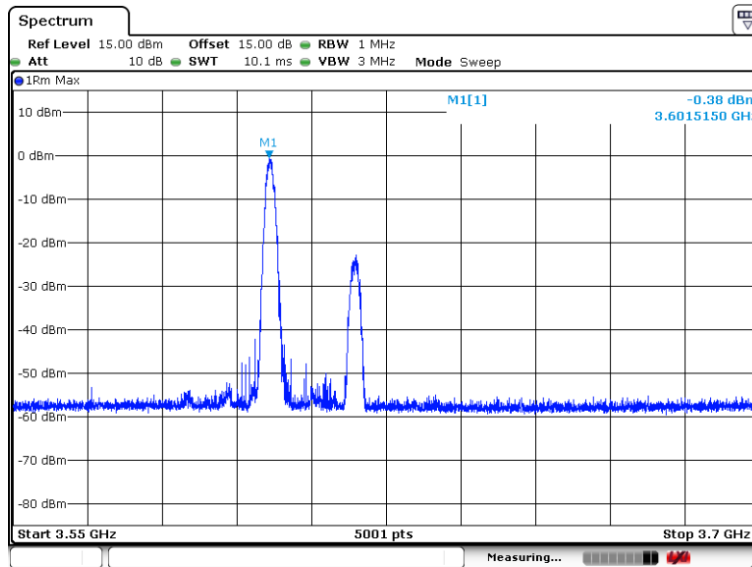




### 3.3 Test Result

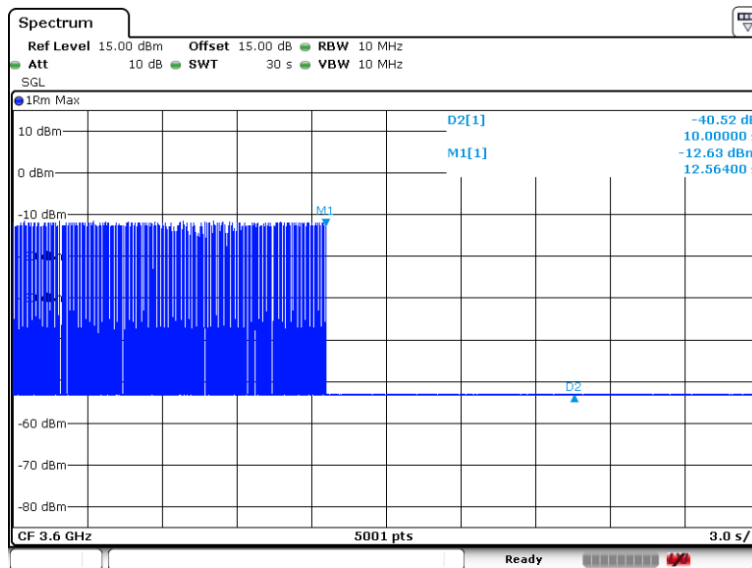
[Step 1] Setup with frequency 3600-3620MHz and power level 7dBm/MHz

[Step 3] Check EUD Tx Frequency and power



Date: 26.AUG.2022 03:27:13

[Step 4.a.] EUD stops transmission within 10 seconds of receiving instructions from its associated CBSD.

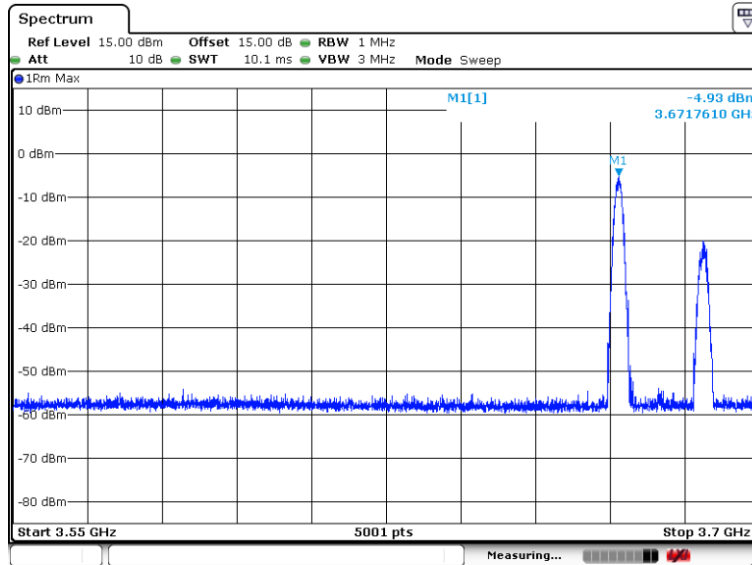


Date: 26.AUG.2022 03:32:05



[Step 5] Setup with 3670-3690MHz & power level 17dBm/MHz

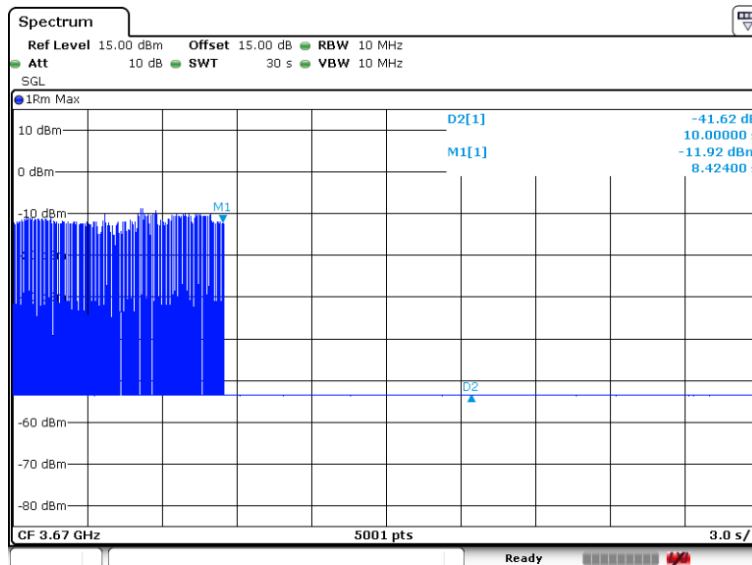
[Step 7] Check EUD Tx Frequency and power



Date: 26 AUG 2022 04:13:12

[Step 8.a.] After changing the frequency and power level,

The module (EUT) discontinues operations, change frequencies, or change its operational power level within 10 seconds of receiving instructions from its associated CBSD. Test result is PASS.



Date: 26 AUG 2022 03:57:57



## 4 List of Measuring Equipment

Instrument	Brand Name	Model No.	Serial No.	Characteristics	Calibration Date	Test Date	Due Date	Remark
Signal Analyzer	Rohde & Schwarz	FSV40	101905	10Hz - 40GHz	Aug. 03, 2022	Aug. 26, 2022	Aug. 02, 2023	Conducted (TH05-HY)

————THE END————