

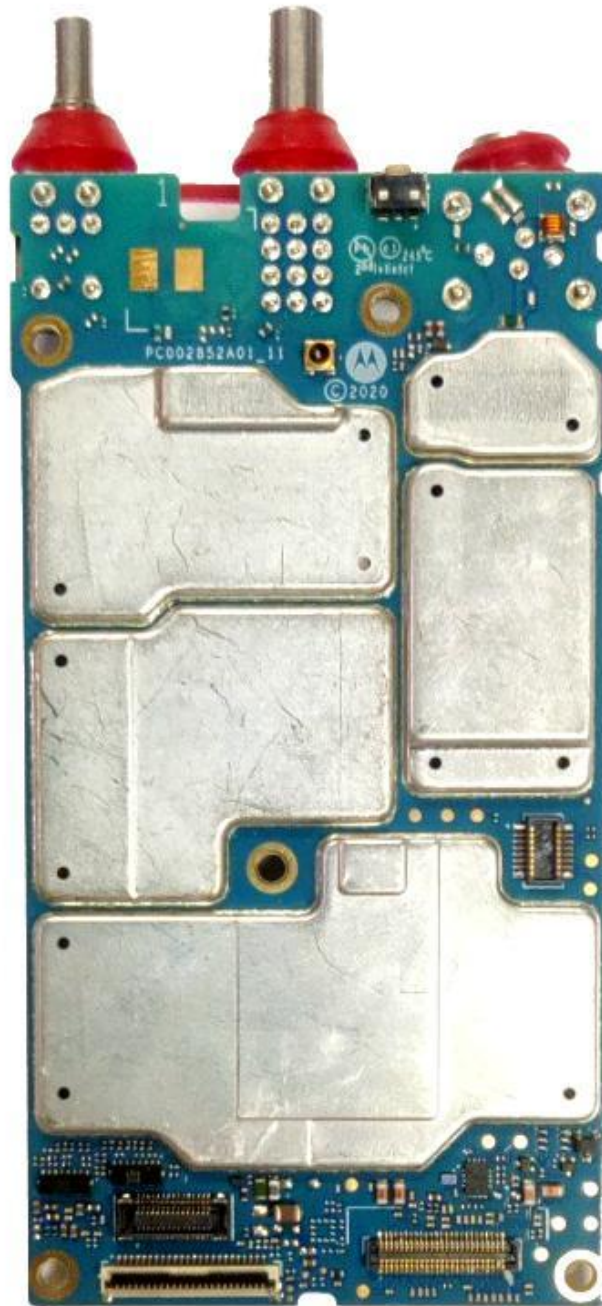
EXHIBIT 9**Internal Photographs**

(Pursuant to FCC Part 2.1033(b)(7), 2.1033(c)(12) and RSP 100 Annex C)

The following photographs are attached.

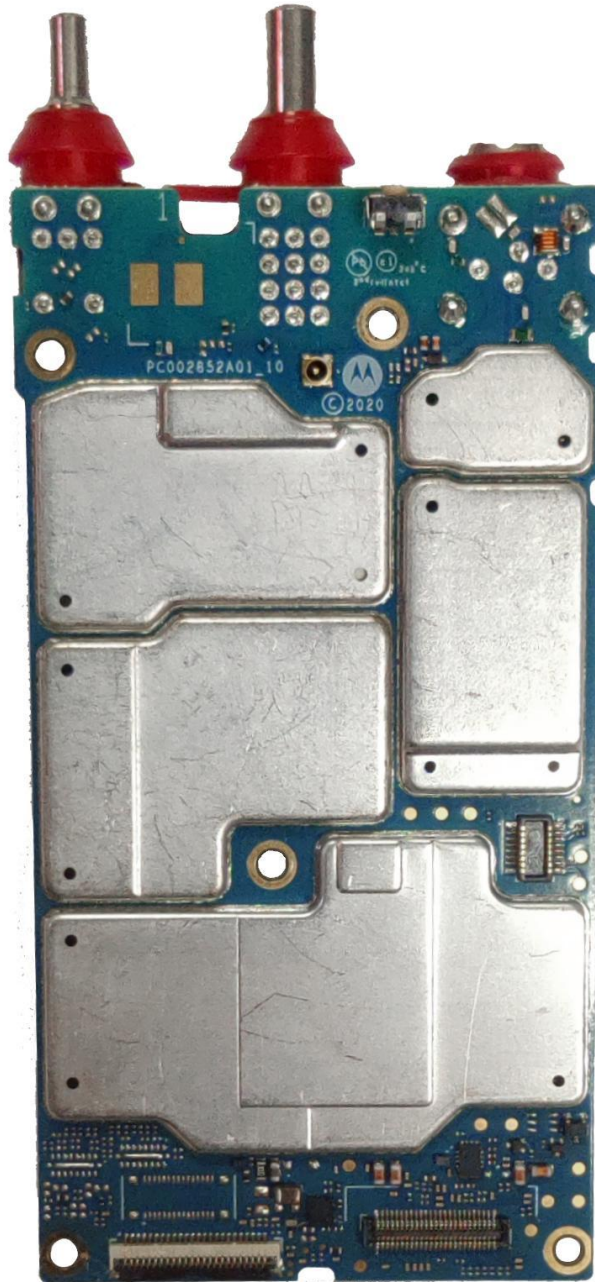
	<u>Exhibit</u>
1. RF board <u>with</u> Shields (Top) of FKP TIA/non-TIA Model	9A
2. RF board <u>with</u> Shields (Top) of NKP TIA Model	9B
3. RF board <u>without</u> Shields (Top) of FKP TIA Model	9C
4. RF board <u>without</u> Shields (Top) of FKP non-TIA Model	9D
5. RF board <u>without</u> Shields (Top) of NKP TIA Model	9E
6. RF board <u>with</u> Shields (Bottom) of FKP TIA/non-TIA Model	9F
7. RF board <u>with</u> Shields (Bottom) of NKP TIA Model	9G
8. RF board <u>without</u> Shields (Bottom) of FKP TIA Model	9H
9. RF board <u>without</u> Shields (Bottom) of FKP non-TIA Model	9I
10. RF board <u>without</u> Shields (Bottom) of NKP TIA Model	9J
11. RF boards <u>with</u> chassis and housing for (Front Side) of FKP TIA/non-TIA Model	9K
12. Chassis and Housing (Back Side) of FKP TIA/non-TIA Model	9L
13. RF boards <u>with</u> chassis and housing for (Front Side) of NKP TIA Model	9M
14. Chassis and Housing (Back Side) of NKP TIA Model	9N
15. Keypad Board (Top) of FKP TIA/non-TIA Model	9O
16. Keypad Board (Bottom) of FKP TIA/non-TIA Model	9P
17. Interface Board (Top)	9Q
18. Interface Board (Bottom)	9R
19. GOB board with Shields (Top)	9S
20. GOB board without Shields (Top)	9T
21. GOB board (Bottom)	9U
22. Exploded View of FKP TIA/non-TIA Model	9V
23. Exploded View of NKP TIA Model	9W

Exhibit 9A - RF board with Shields (Top) of FKP TIA/non-TIA Model



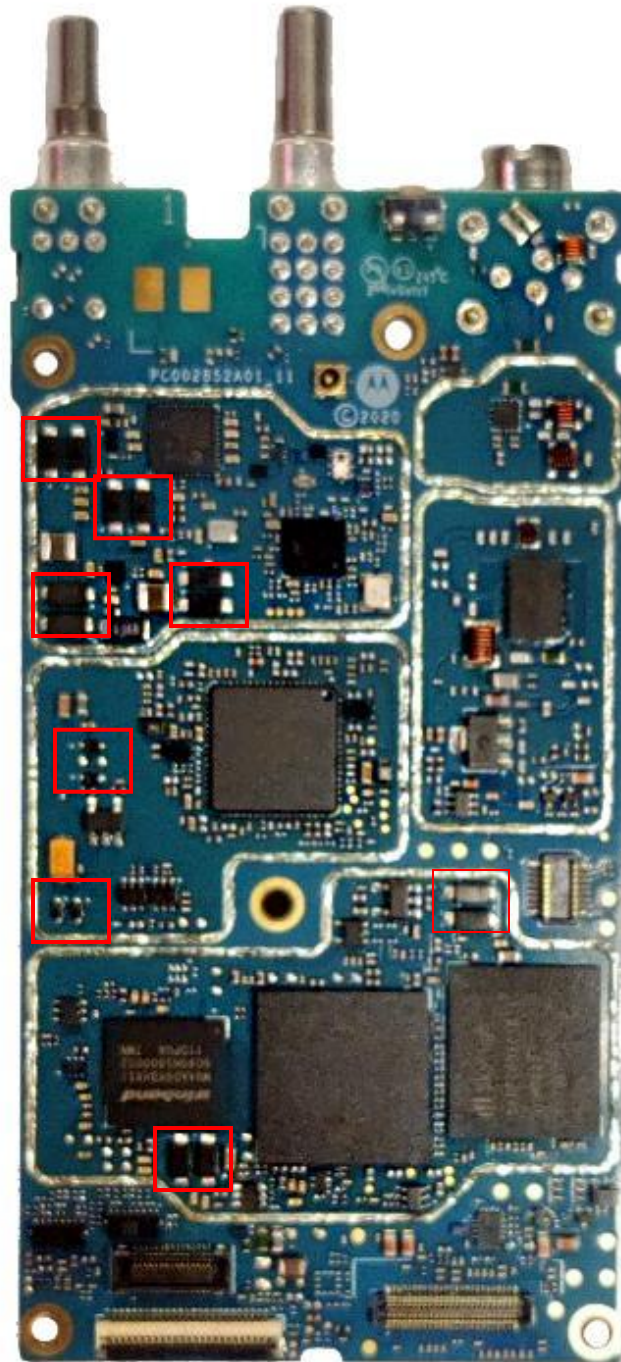
RF board with Shields (Top) of FKP TIA/non-TIA Model

Exhibit 9B - RF board with Shields (Top) of NKP TIA Model



RF board with Shields (Top) of NKP TIA Model

Exhibit 9C - RF board without Shields (Top) of FKP TIA Model



TIA Model PCBA
contains UL diodes

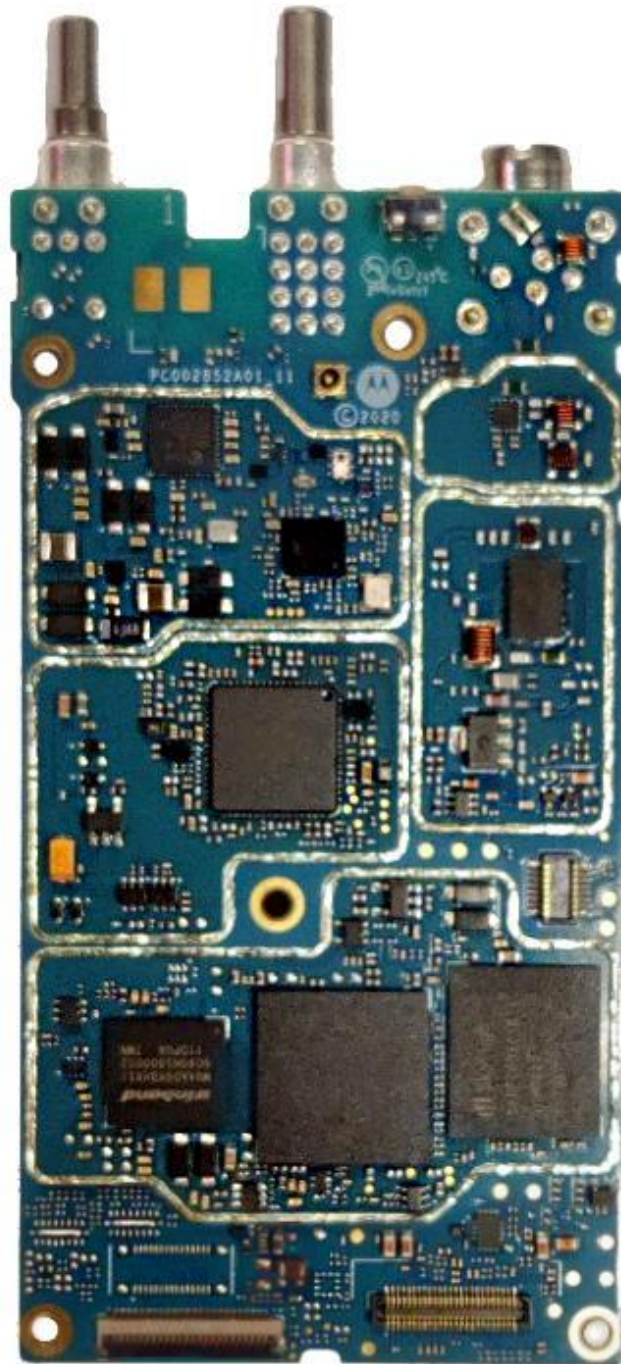
RF board without Shields (Top) of FKP TIA Model

Exhibit 9D - RF board without Shields (Top) of FKP non-TIA Model



RF board without Shields (Top) of FKP non-TIA Model

Exhibit 9E - RF board without Shields (Top) of NKP TIA Model



RF board without Shields (Top) of NKP TIA Model

Exhibit 9F - RF board with Shields (Bottom) of FKP TIA/non-TIA Model



RF board with Shields (Bottom) of FKP TIA/non-TIA Model

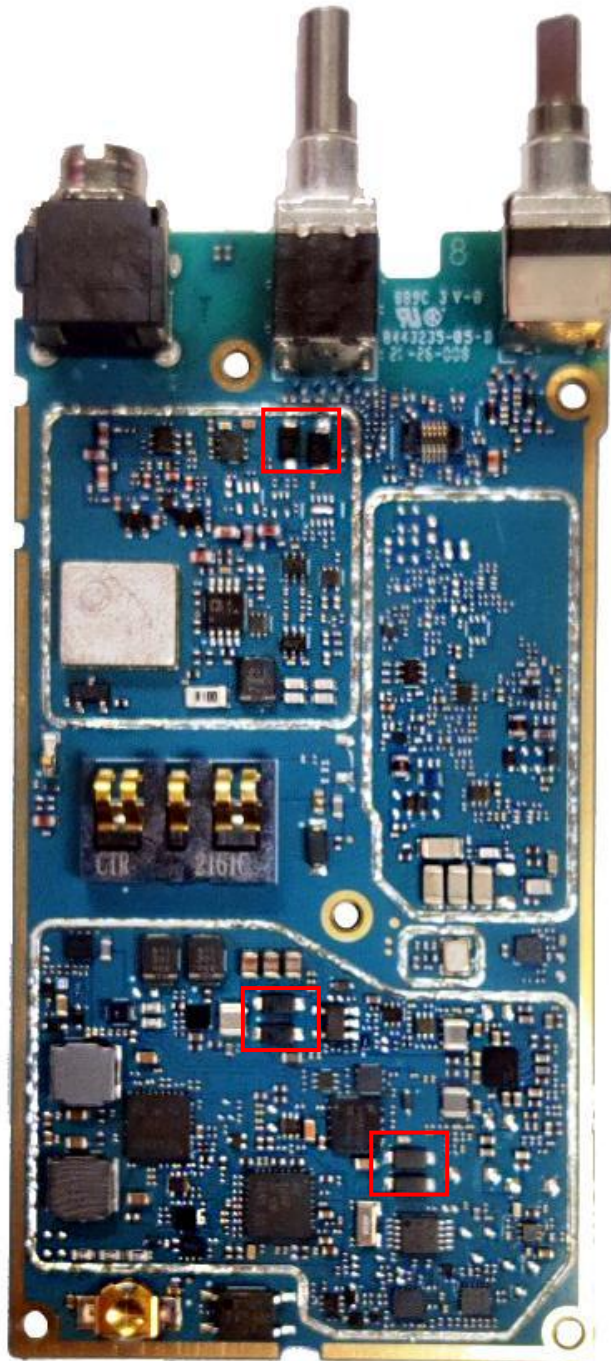
Exhibit 9G - RF board with Shields (Bottom) of NKP TIA Model



RF board with Shields (Bottom) of NKP TIA Model

Exhibit 9H - RF board without Shields (Bottom) of FKP TIA Model

TIA Model PCBA
contains UL diodes



RF board without Shields (Bottom) of FKP TIA Model

Exhibit 9I - RF board without Shields (Bottom) of FKP non-TIA Model



RF board without Shields (Bottom) of FKP non-TIA Model

Exhibit 9J - RF board without Shields (Bottom) of NKP TIA Model



RF board without Shields (Bottom) of NKP TIA Model

Exhibit 9K - RF boards with chassis and housing for (Front Side) of FKP TIA/non-TIA Model



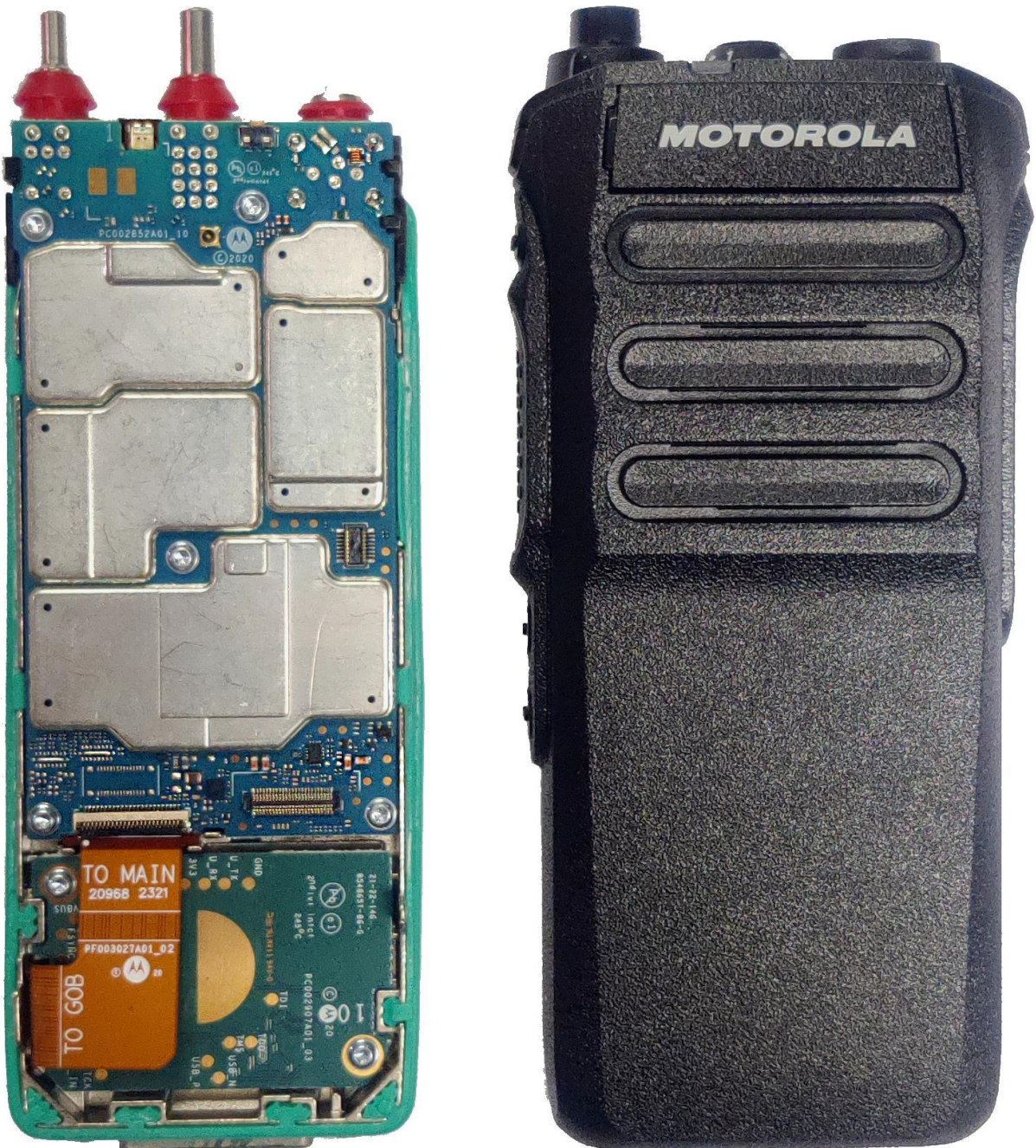
RF board with chassis and housing (front side) of FKP TIA/non-TIA Model

Exhibit 9L - Chassis and Housing (Back Side) of FKP TIA/non-TIA Model



Chassis and Housing (Back side) of FKP TIA/non-TIA Model

Exhibit 9M - RF boards with chassis and housing for (Front Side) of NKP TIA Model



RF board with chassis and housing (front side) of NKP TIA Model

Exhibit 9N - Chassis and Housing (Back Side) of NKP TIA Model



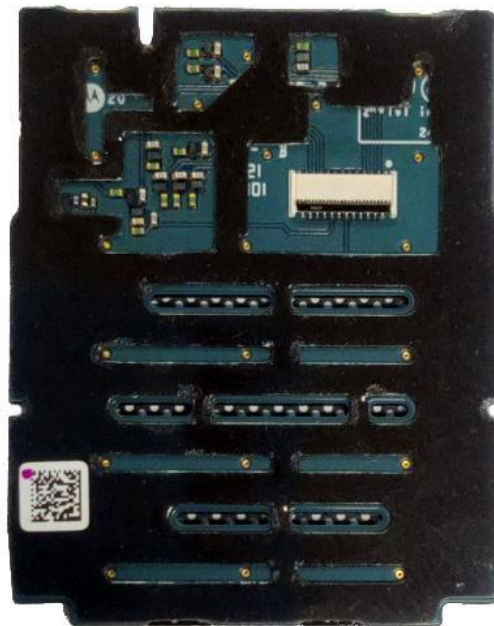
Chassis and Housing (Back side) of NKP TIA Model

Exhibit 9O - Keypad Board (Top) of FKP TIA/non-TIA Model



Keypad board (Top) of FKP TIA/non-TIA Model

Exhibit 9P - Keypad Board (Bottom) of FKP TIA/non-TIA Model



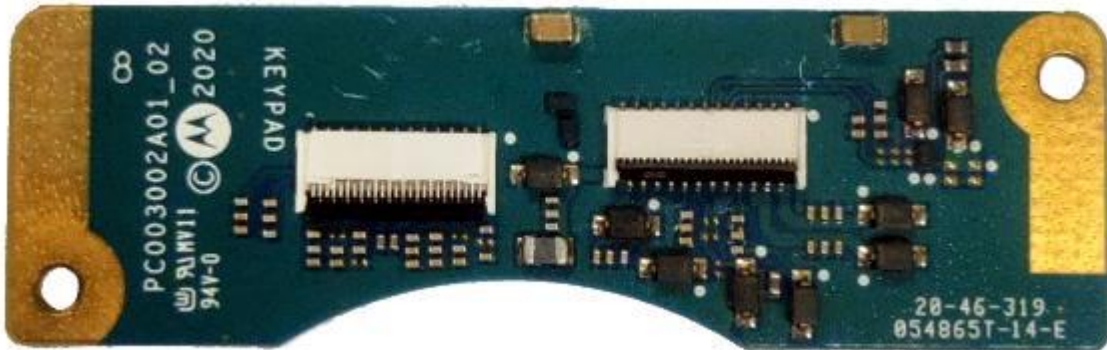
Keypad board (Bottom) of FKP TIA/non-TIA Model

Exhibit 9Q - Interface Board (Top)



Interface board (Top)

Exhibit 9R - Interface Board (Bottom)



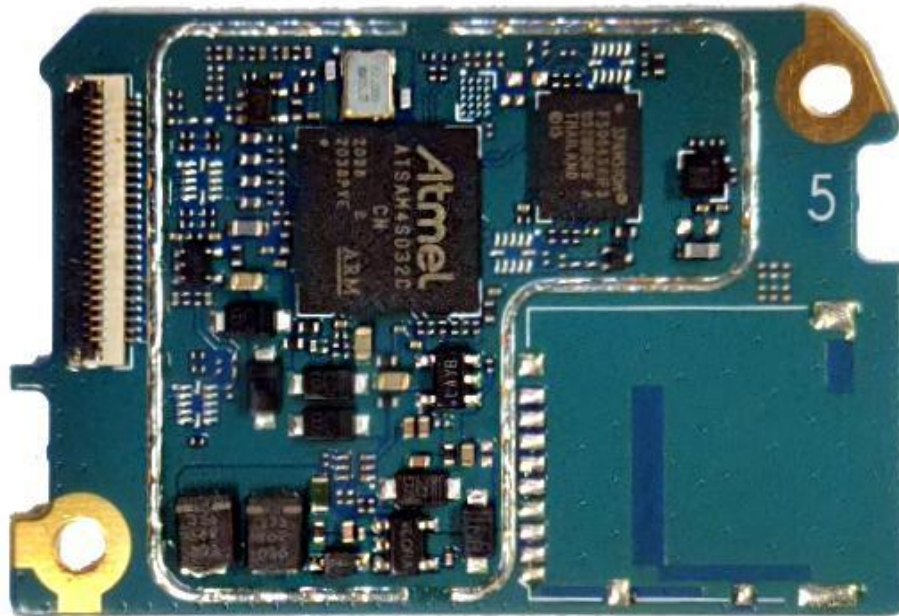
Interface board (Bottom)

Exhibit 9S - GOB board with Shields (Top)



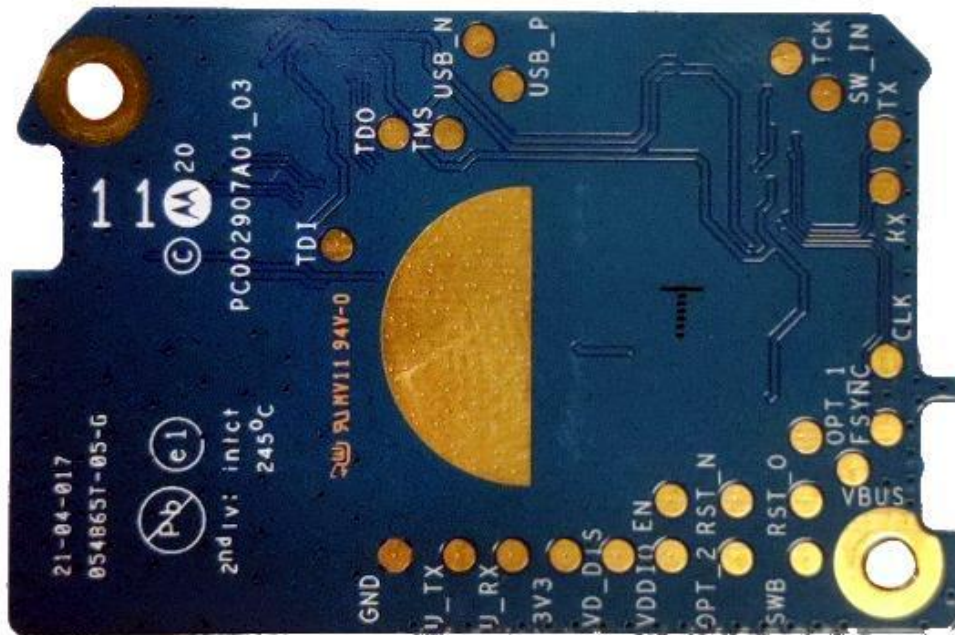
GOB board with Shields (Top)

Exhibit 9T - GOB board without Shields (Top)



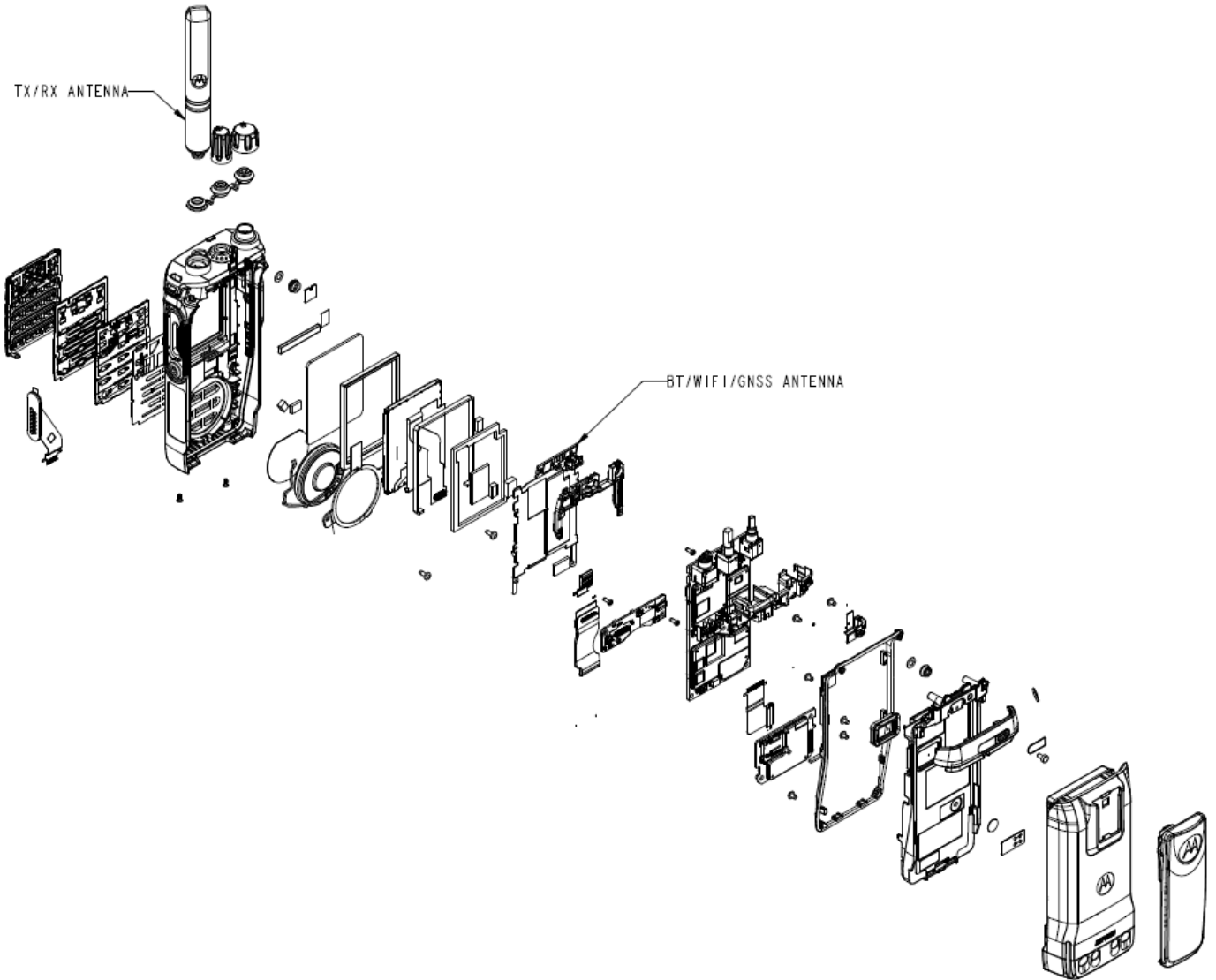
GOB board without shields (Top)

Exhibit 9U - GOB board (Bottom)



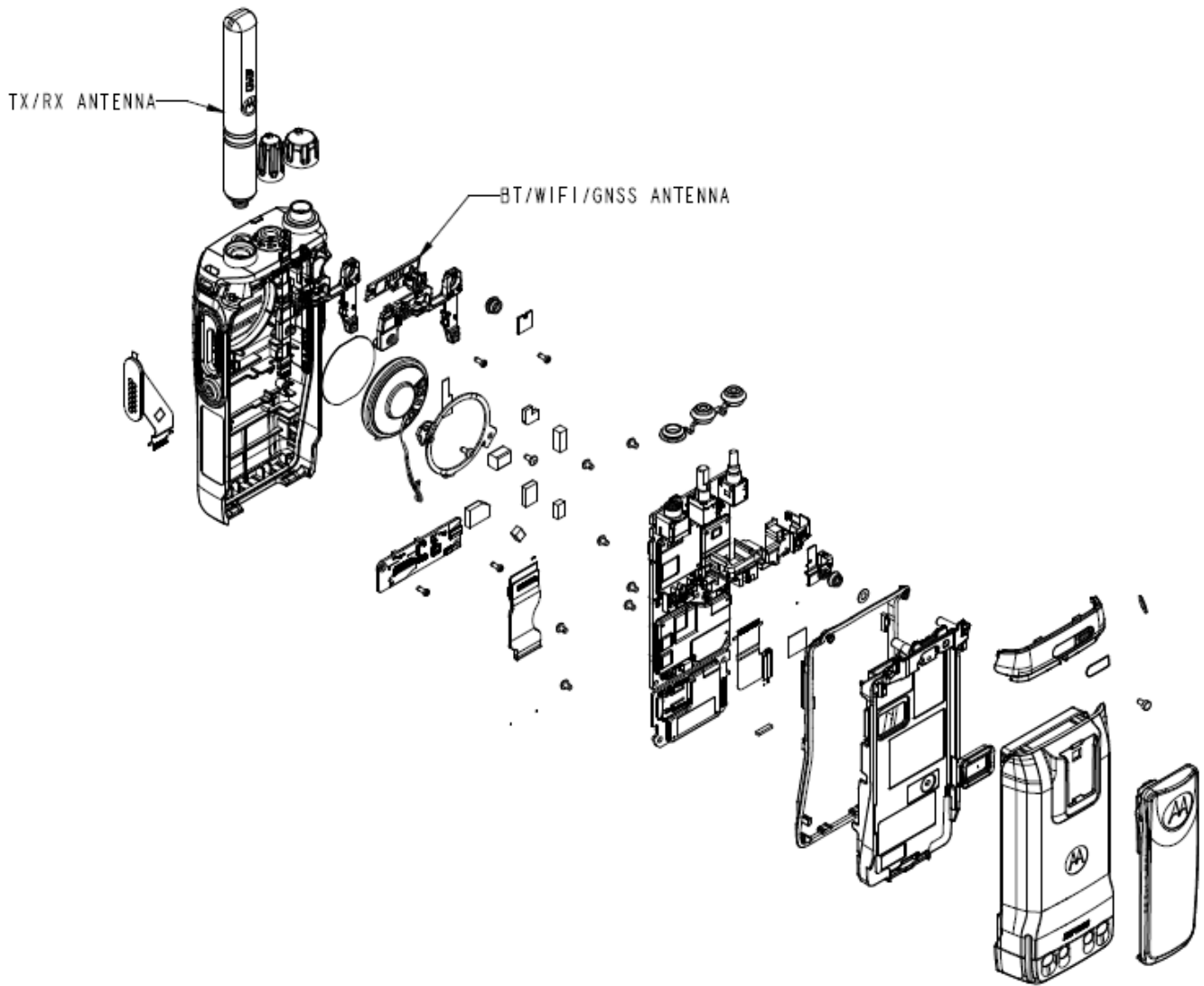
GOB board (Bottom)

Exhibit 9V - Exploded View of FKP TIA/non-TIA Model



Exploded View of FKP TIA/non-TIA Model

Exhibit 9W - Exploded View of NKP TIA Model



Exploded View of NKP TIA Model

*** END ***