



# TLK 100i, TLK 100j

## Quick Reference Guide

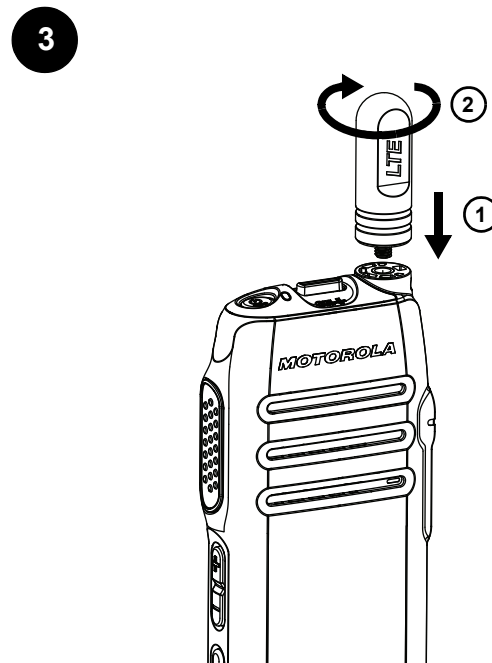
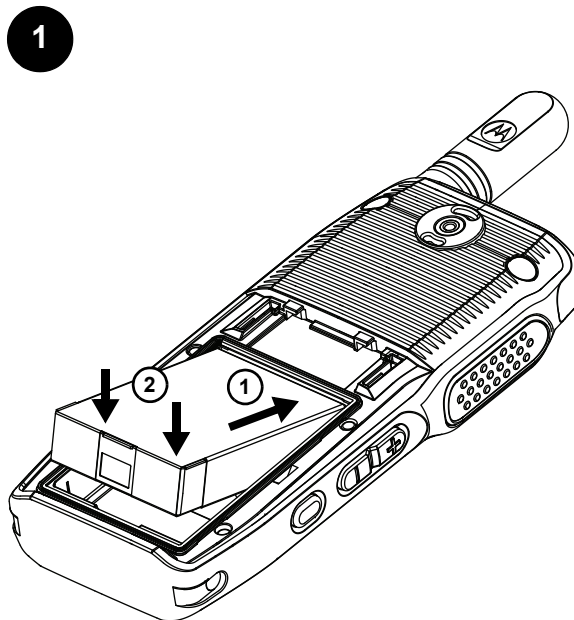


MN005647A01-AC

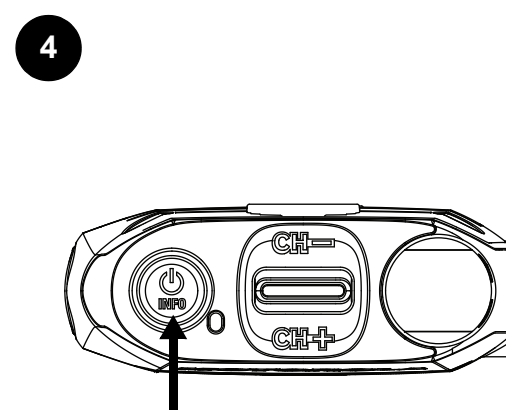
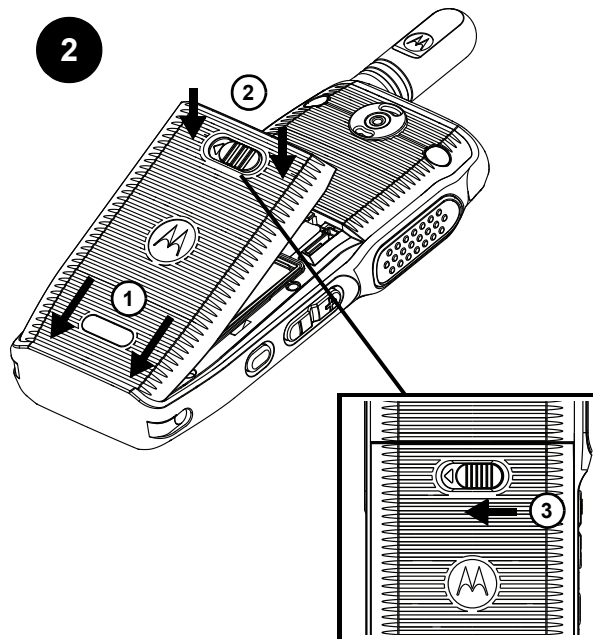
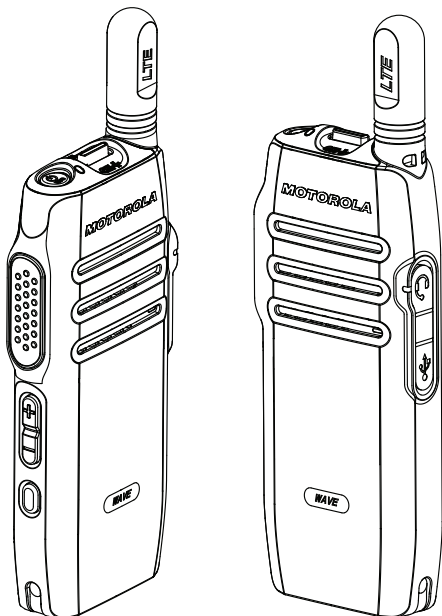
MOTOROLA, MOTO, MOTOROLA SOLUTIONS and the Stylized M Logo are trademarks or registered trademarks of Motorola Trademark Holdings, LLC and are used under license. All other trademarks are the property of their respective owners.

© 2019 and 2020 Motorola Solutions, Inc. All rights reserved.

Printed in



### TLK 100i, TLK 100j

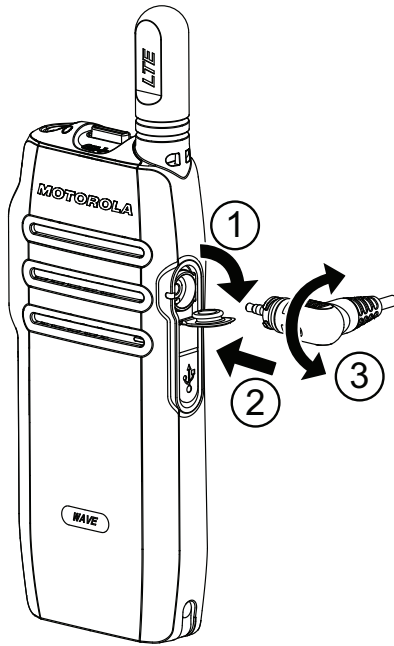


1

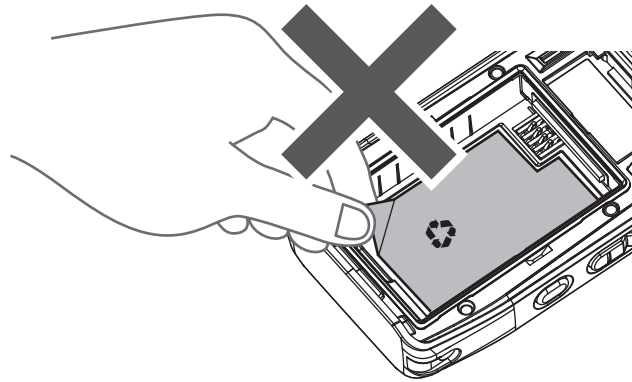
2

3

5

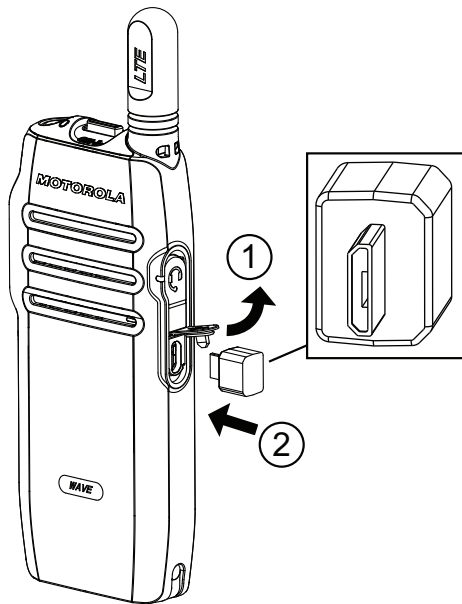


7a

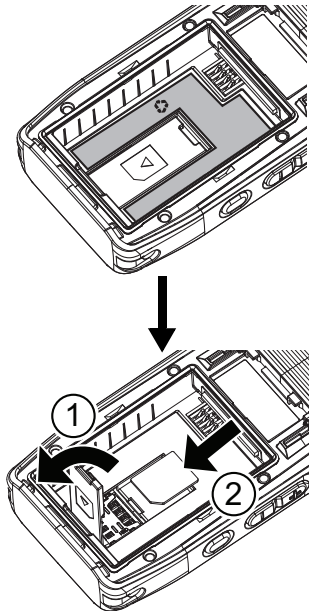


NOTES

6



7b



 **MOTOROLA SOLUTIONS**

<https://waveoncloud.com/>

<https://learning.motorolasolutions.com/>