

EXHIBIT 3B

PART 15 ANTENNA INFORMATION

The following are the Part 15 antenna information

EXHIBIT 3A Antenna Photos and Dimensions (NFC)

1. Antenna Photo and Dimensions (NFC)



Figure 1: NFC Flex (Top)



Figure 2: NFC Flex (Bottom)

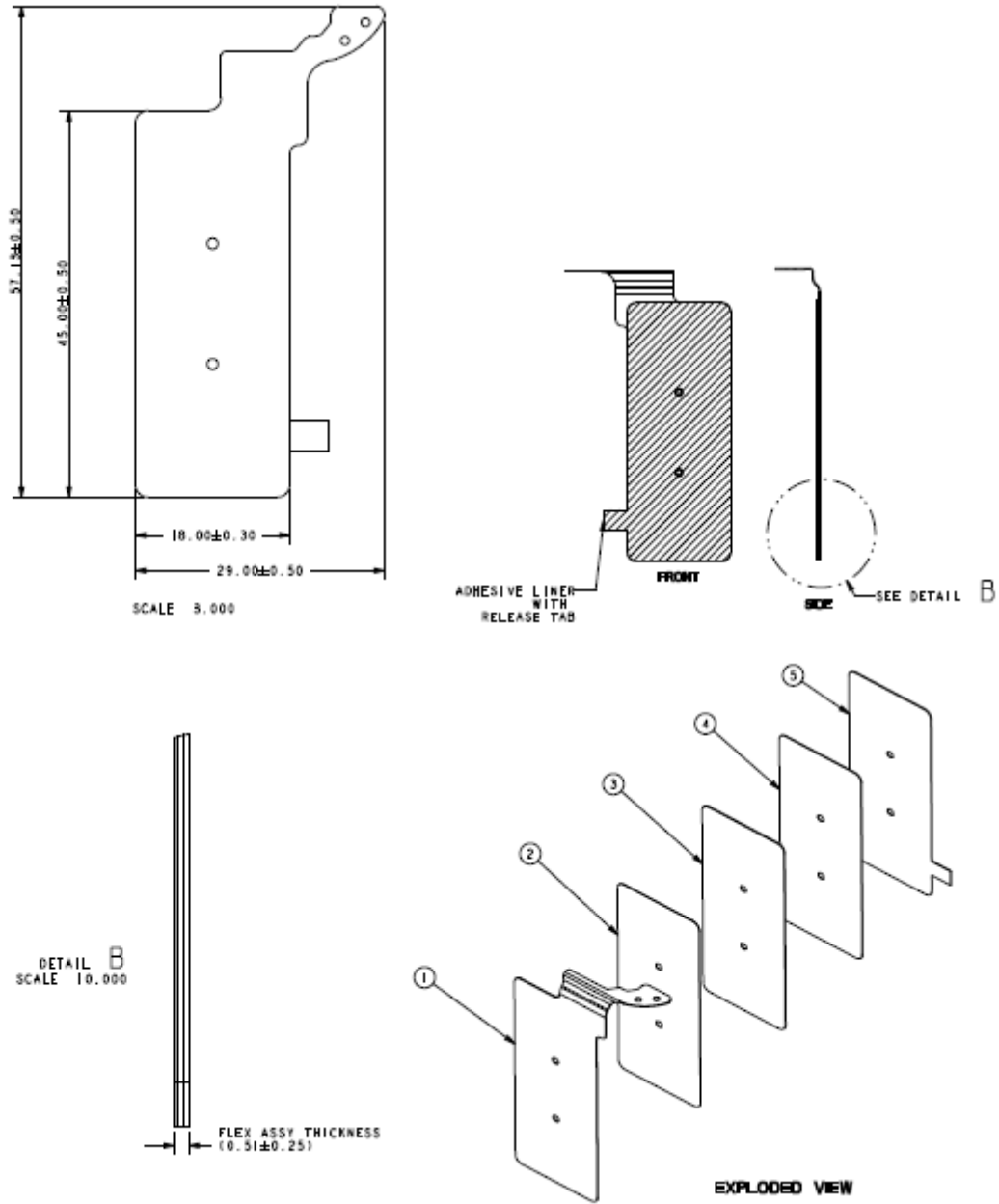


Figure 3: NFC Antenna Dimensions

*** END ***