

**EXHIBIT 9****Internal Photographs**

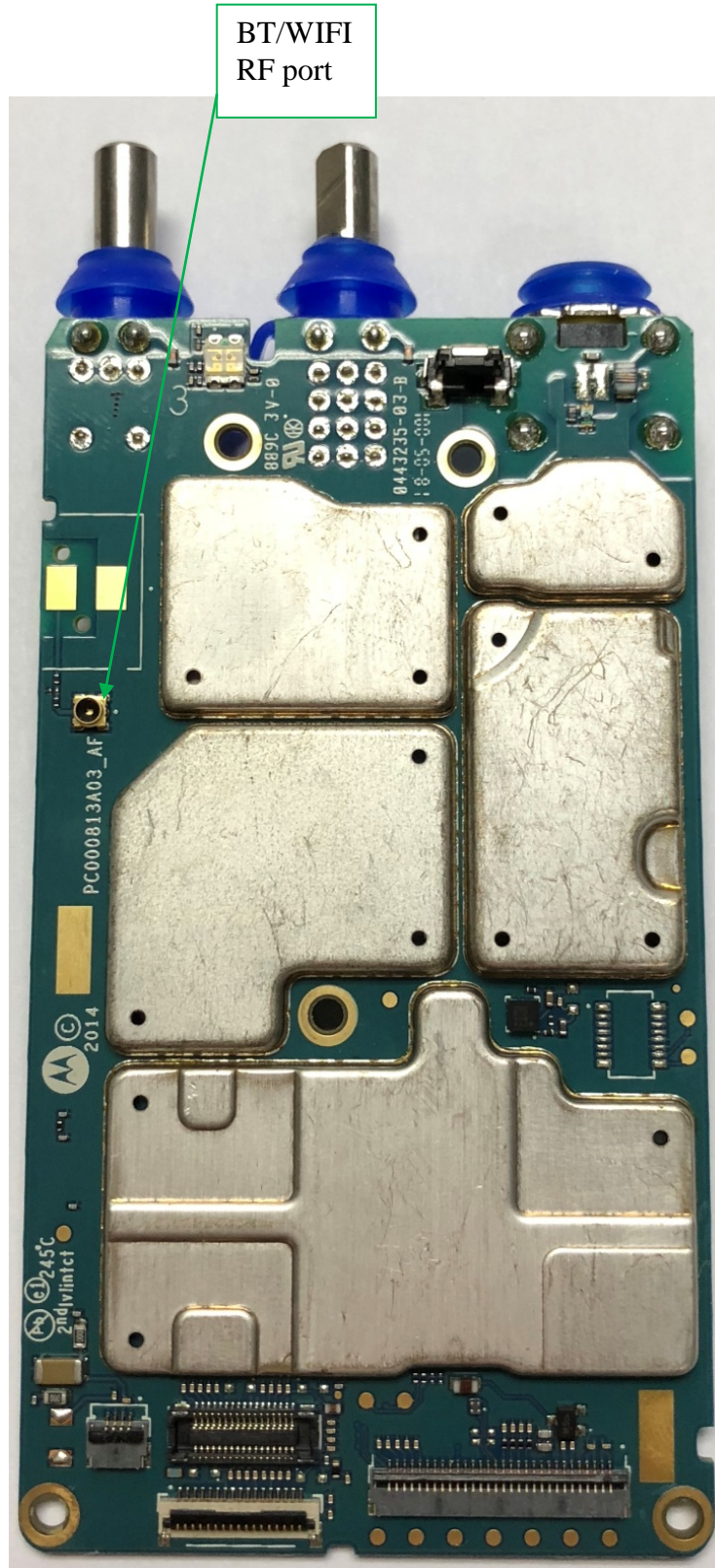
(Pursuant to FCC Part 2.1033(b)(7), 2.1033(c)(14) and RSP 100 Sec 4)

The following photographs are attached.

**Exhibit**

1. RF board with Shields (Top).	9A
2. RF board without Shields (Top).	9B
3. RF board with Shields (Bottom).	9C
4. RF board without Shields (Bottom).	9D
5. RF board <u>with</u> chassis and housing (front side), FKP	9E
6. Chassis and Housing (back side), FKP	9F
7. RF board <u>with</u> chassis and housing (front side), NKP	9G
8. Chassis and Housing (back side), NKP	9H
9. Keypad board (Top), FKP	9I
10. Keypad board (Bottom), FKP	9J
11. Interface Board (Top)	9K
12. Interface Board (Bottom)	9L
13. GOB board with Shields (Top).	9M
14. GOB board without Shields (Top).	9N
15. GOB board (Bottom).	9O
16. Exploded View of FKP radio	9P
17. Exploded View of NKP radio	9Q

Exhibits 9A



RF board with Shields (Top)

Exhibit 9B

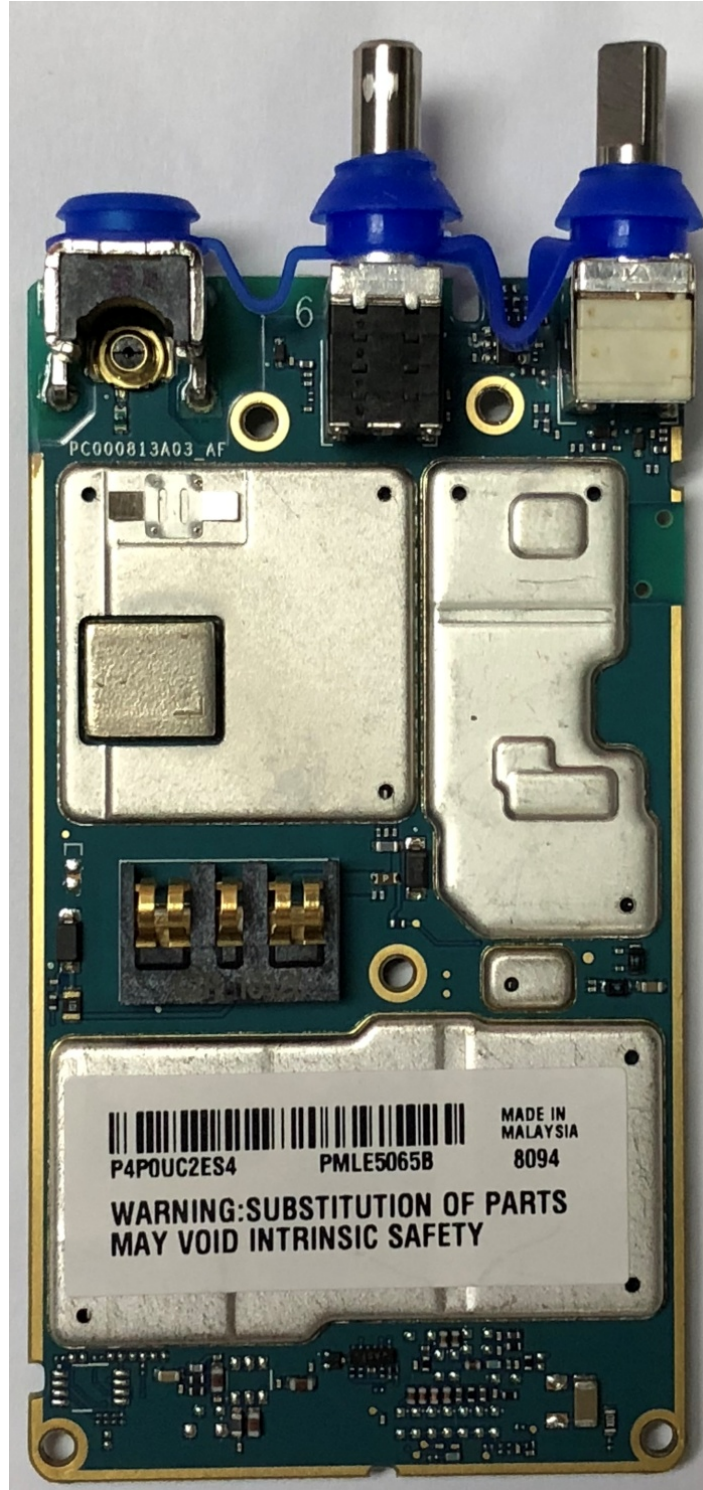
BT/WIFI  
RF port



RF board without Shields (Top)



Exhibit 9C



RF board with Shields (Bottom)

Exhibit 9D



RF board without Shields (Bottom)

Exhibit 9E

BT/WIFI  
RF port



RF board with chassis and housing (front side) FKP model



Exhibit 9F



**Chassis and Housing (back side) FKP model**

Exhibit 9G



RF board with chassis and housing (front side) NKP model

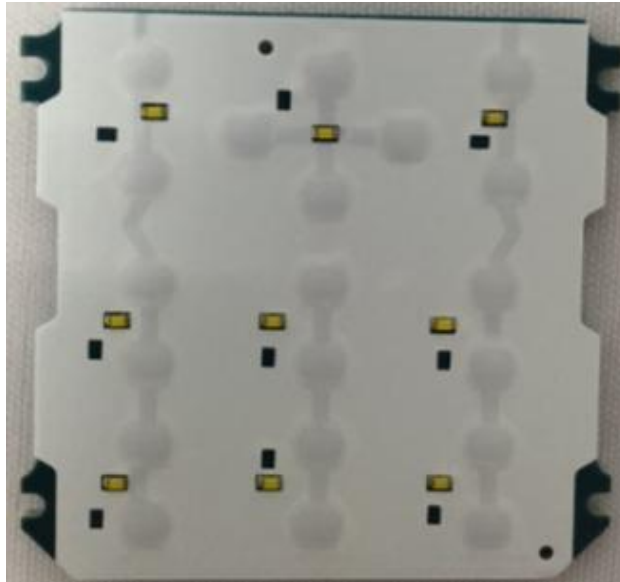


Exhibit 9H



Chassis and Housing (back side) NKP model

Exhibit 9I



Keypad board (Top)

Exhibit 9J



Keypad board (Bottom)

Exhibit 9K



**Interface board (Top)**

Exhibit 9L



**Interface board (Bottom)**



Exhibit 9M



**GOB board with Shields (Top)**

Exhibit 9N



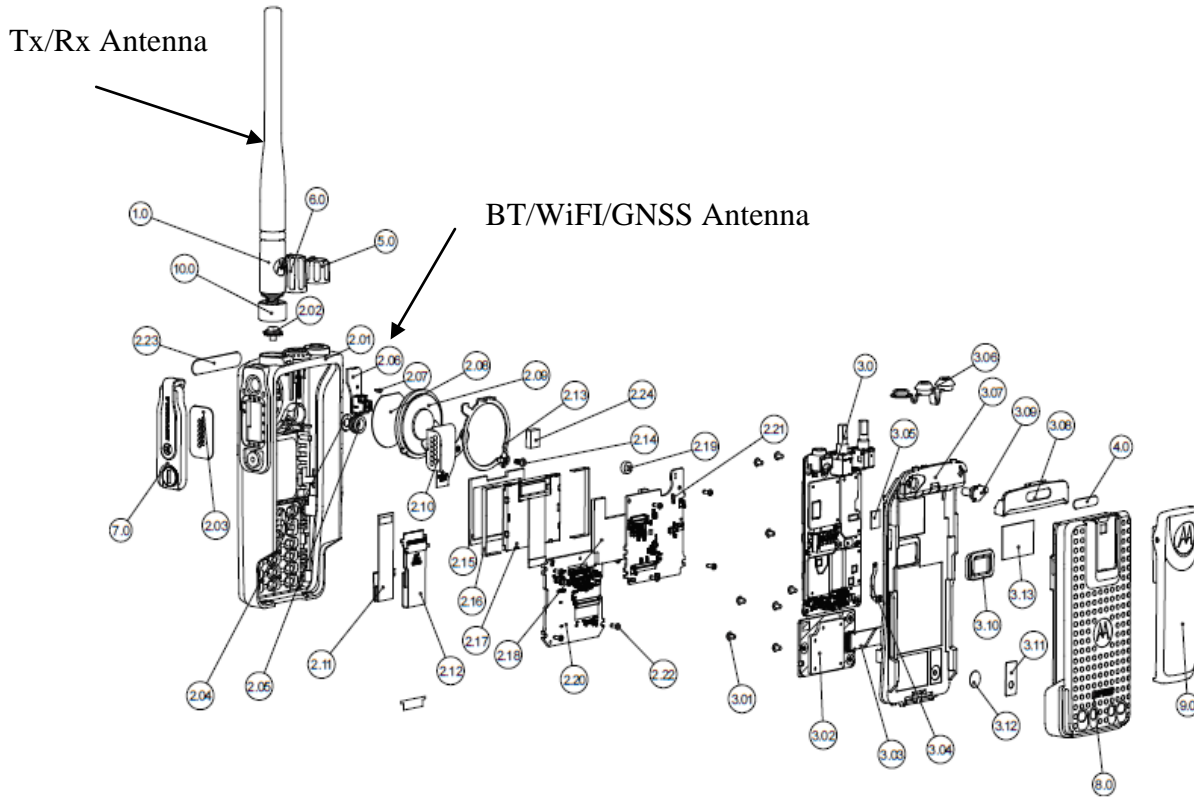
**GOB board without shields (Top)**

Exhibit 9O



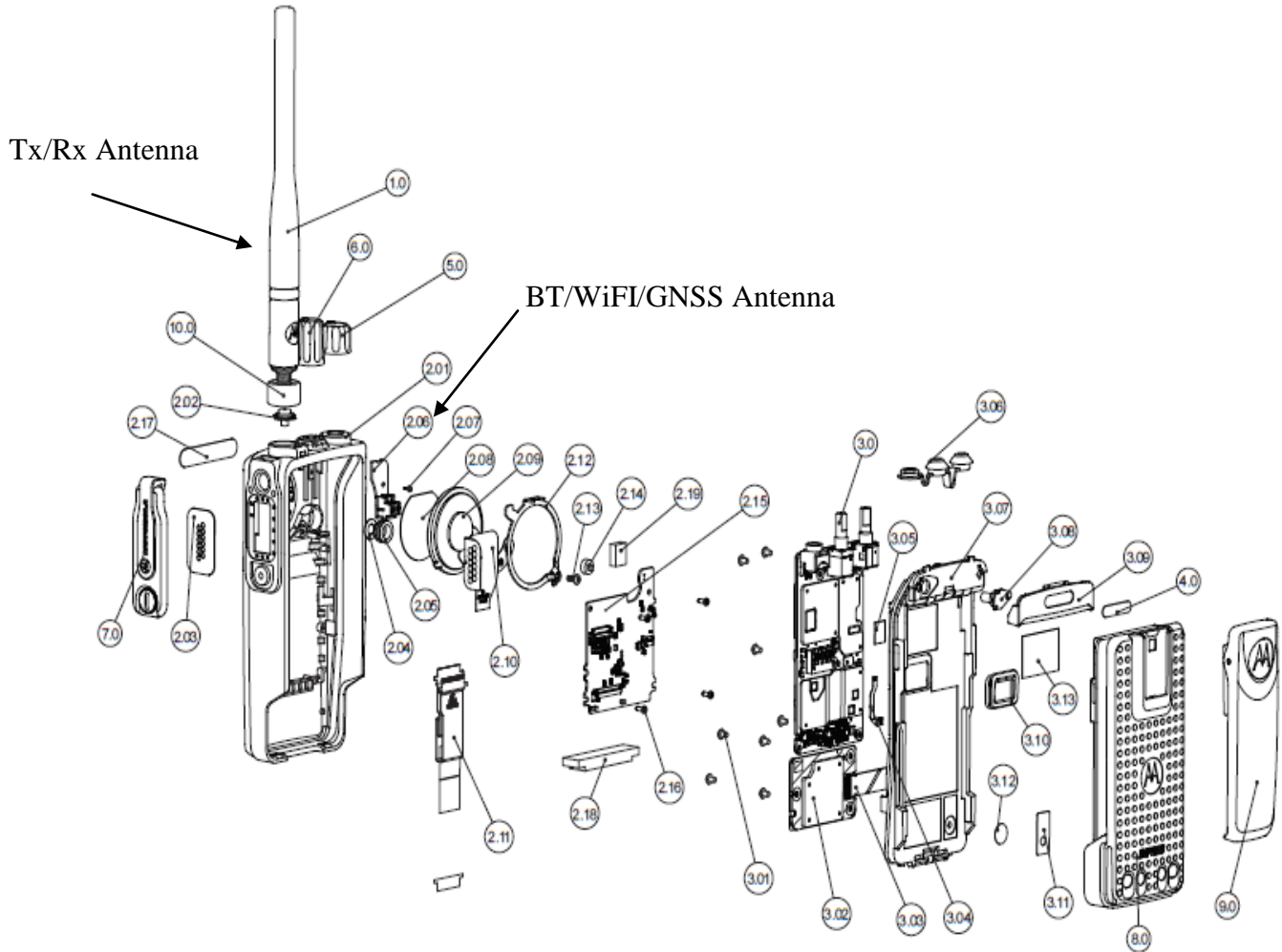
**GOB board (Bottom)**

Exhibit 9P



**Exploded View of FKP Radio**

Exhibit 9Q



Exploded View of NKP Radio