

EXHIBIT VII (Rev.2)
Test Set-up Procedures

FCC ID: AZ489FT7006

Product Name

MW 800 – DISPLAY

Model: FLN3134A, FLN3135A

Tests Performed for

Motorola, Inc.

**8000 West Sunrise Blvd.
Ft. Lauderdale, Florida 33322 USA**

Prepared by:

QualiTech EMC Laboratory

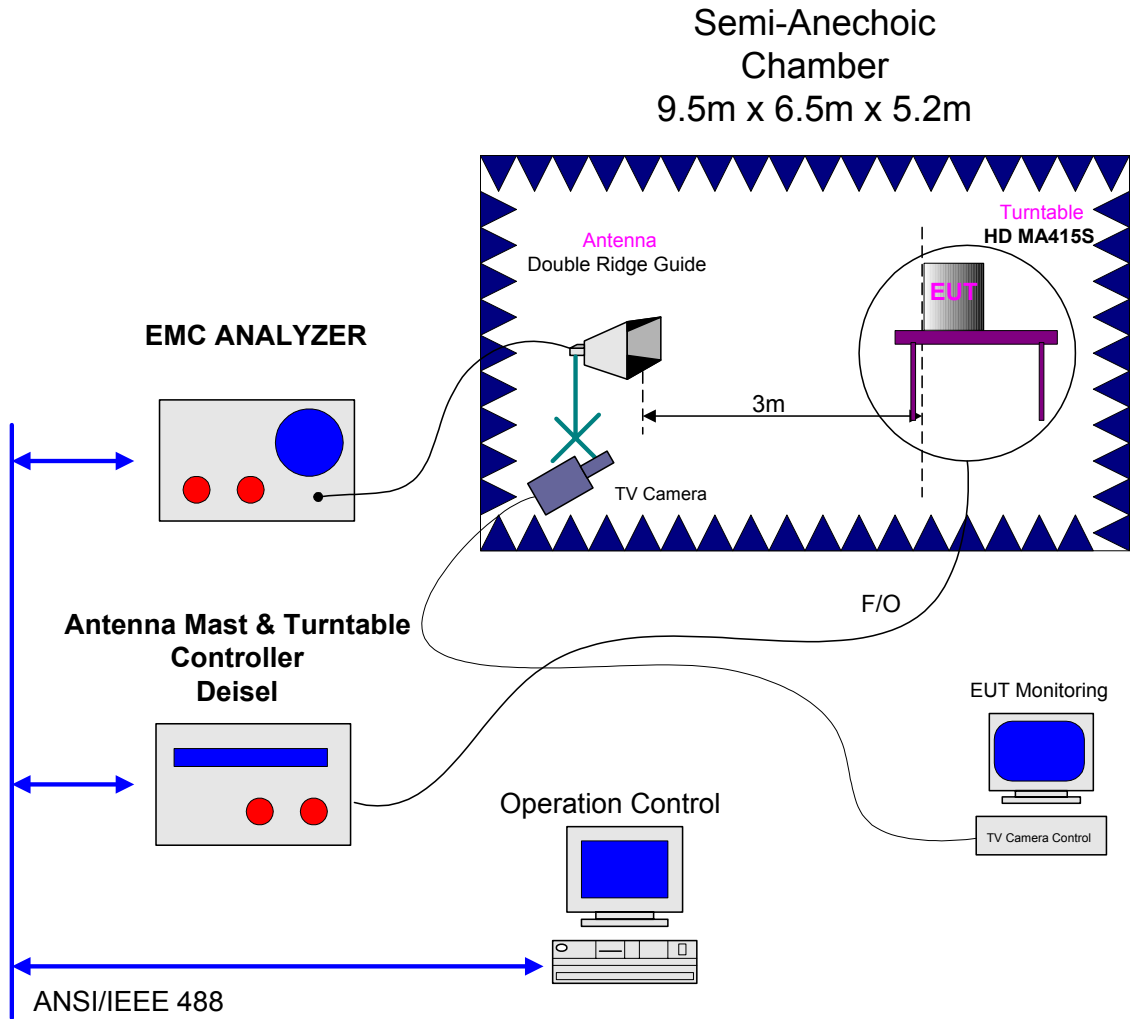
30 Hasivim St,
Petah-Tikva, 49130, Israel
Tel: 972-3-926 8443
Fax: 972-3-926 6550



1633.01

Block Diagram: 1

Transmitter Radiated Spurious Emissions Test Set up



Test Equipment List

QualiTech EMC Laboratory

Equipment	Manufacturer/ Model	Serial Number	Cal date/Due date
Spectrum Analyzer 9kHz ÷ 22 GHz	HP 8593EM	3536A00131	18/06/2002 - 30/06/2003
Spectrum Analyzer 100 Hz ÷ 26.5 GHz	Agilent E7405A	US41160436	22/02/2003- 22/02/2004
LNA Amplifier 1 GHz ÷ 18 GHz	AMP – 5D-010180-30-10P-GW	618653	31/07/2002 – 31/07/2003
LNA Amplifier 18 GHz ÷ 26.5 GHz	AMP – 5F-18002650-30-10P	924790	31/07/2002 – 31/07/2003
Dual Ridged Guide Ant.1-18 GHz	EMCO 3115	9602-4677	31/7/2002 - 31/07/2003
Antenna 18 GHz ÷ 26.5 GHz	Alpha Industry 861A/599	505	31/7/2002 - 31/07/2003
Amplifier 9 kHz ÷ 1300 MHz, OPT464	HP 8447F	3113 A05895	19/08/2002 - 30/06/2003
Power supply	Titan TPS6030	282-8341	-
Turn table	HD100	-	-
Antenna Mast	HD 100	-	-
Dipole Set 30 – 1000 MHz	Roberts Antenna	S/N 005115	31/12/2002 – 31/12/2003
Biconical 20 –200 MHz	Schwarzbeck VHBB9124	-	31/12/2002 – 31/12/2003
Log-Periodic 200 – 1000 MHz	Schwarzbeck VUSLP9111	-	31/12/2002 – 31/12/2003

Test Equipment List A

The EUT was tested in three mutually orthogonal planes. The maximum levels were found with the unit in the Upright Position.

Photograph 1: Front view of upright MW 800- Display



Photograph 2: Rear view of MW 800- Display



Photograph 3: View of MW 800- Display on it's back

