

EXHIBIT 9

Internal Photographs

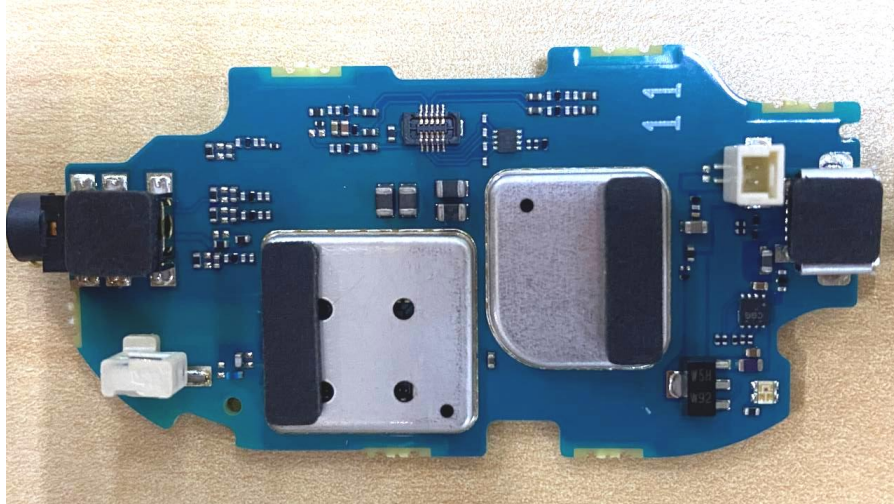
(Pursuant to FCC Part 2.1033(b)(7), 2.1033(c)(12) and RSP 100 Annex C)

The following photographs are attached.

Exhibit

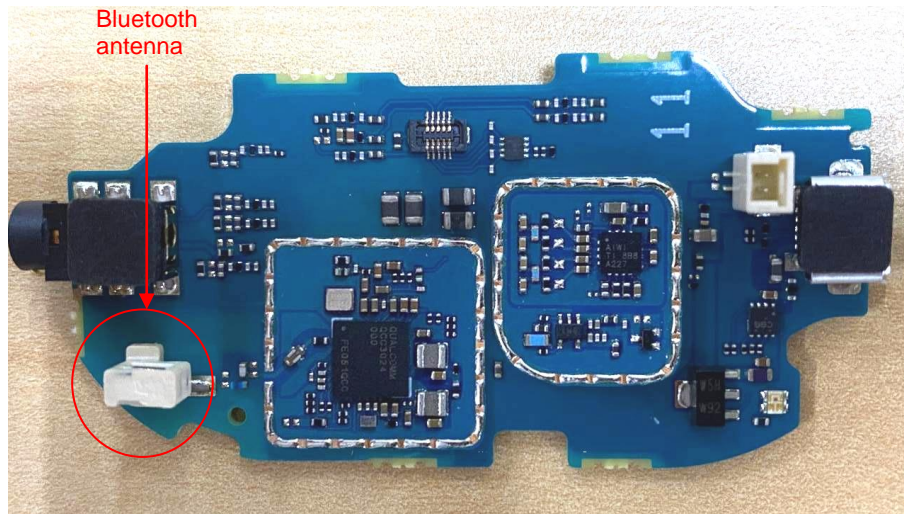
- | | |
|---|----|
| 1. PCB board with Shields (Top) | 9A |
| 2. PCB board without Shields (Top) | 9B |
| 3. PCB board (Bottom) | 9C |
| 4. Overall Internal Assembly with housing (Front) | 9D |
| 5. Overall Internal Assembly with housing (Back) | 9E |
| 6. Exploded View | 9F |

Exhibits 9A



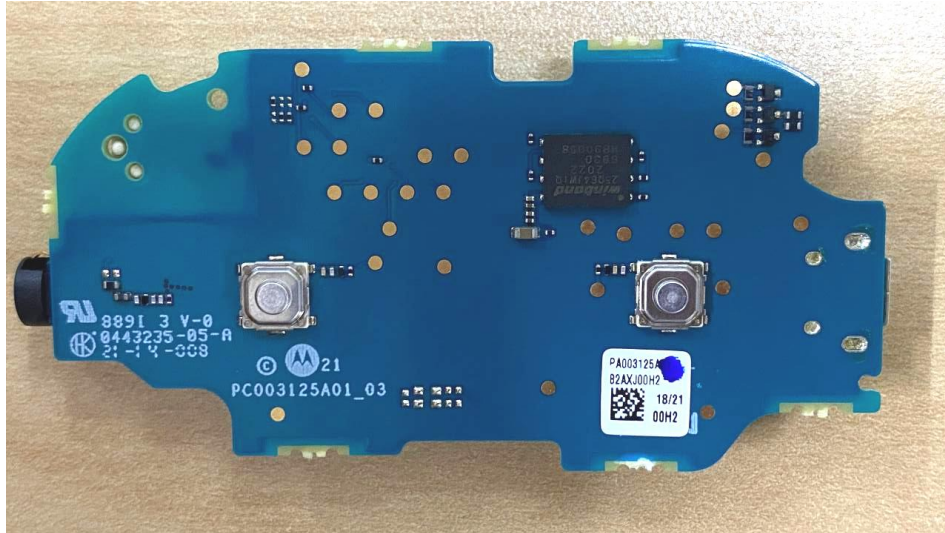
PCB board with Shields (Top)

Exhibits 9B



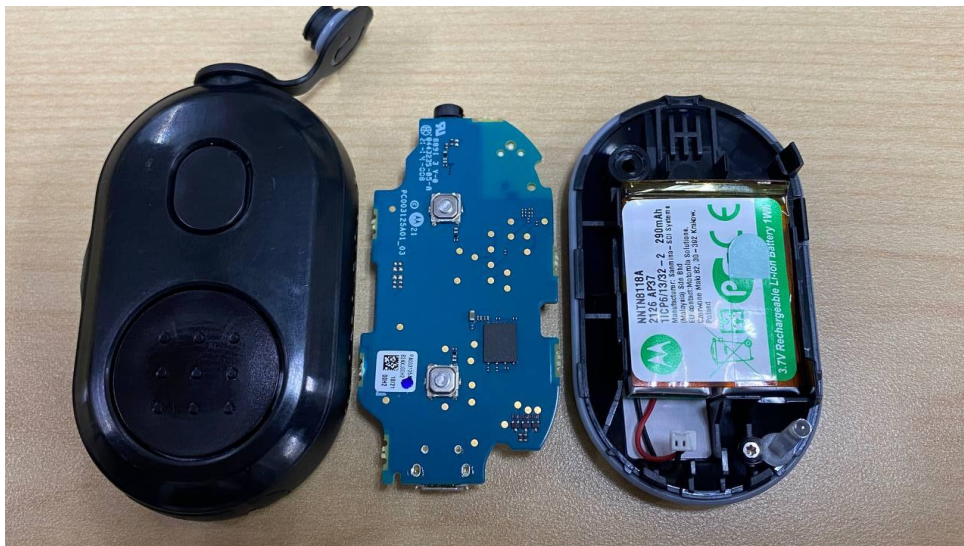
PCB board without Shields (Top)

Exhibits 9C



PCB board (Bottom)

Exhibits 9D



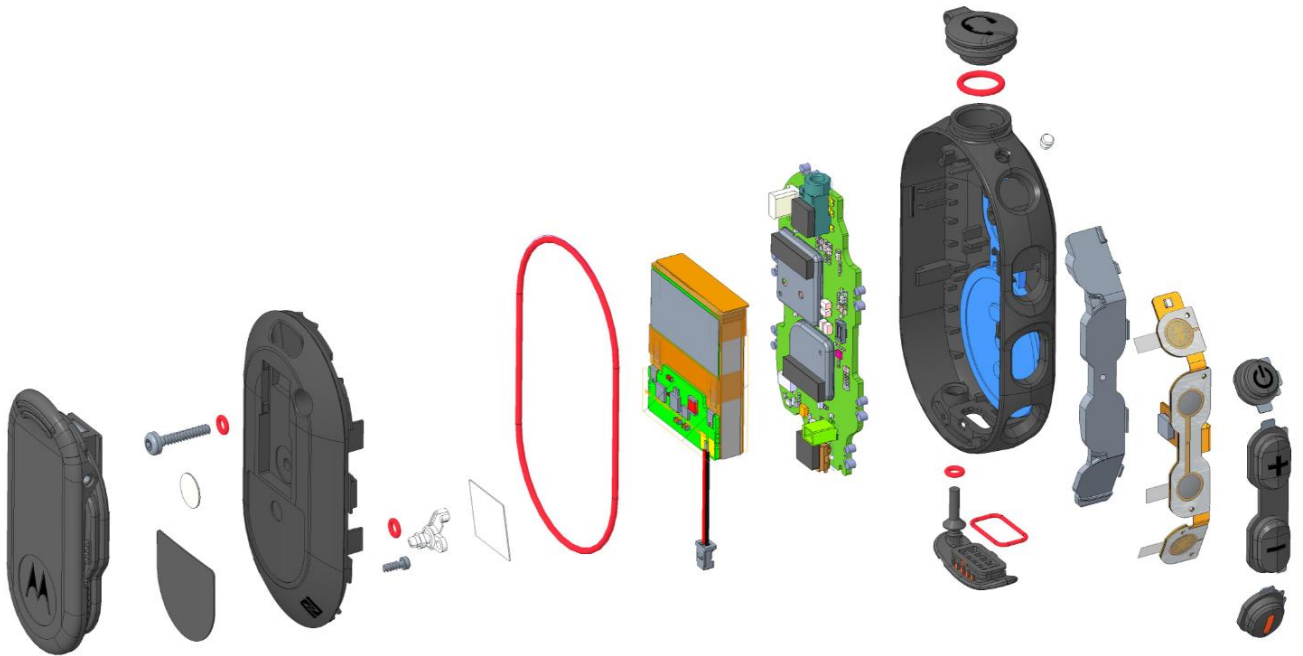
Overall Internal Assembly with housing (Front)

Exhibits 9E



Overall Internal Assembly with housing (Back)

Exhibits 9F



Exploded View

*** END ***