



MNO09870A01-AB
MOTOROLA, MOTO, MOTOROLA SOLUTIONS and the Stylized M logo are trademarks or registered trademarks of Motorola Trademark Holdings, LLC and are used under license. All other trademarks are the property of their respective owners.
© 2023 Motorola Solutions, Inc. All rights reserved.



Printed in

English (US) Radio Overview

This section describes the buttons and functions available on the radio.

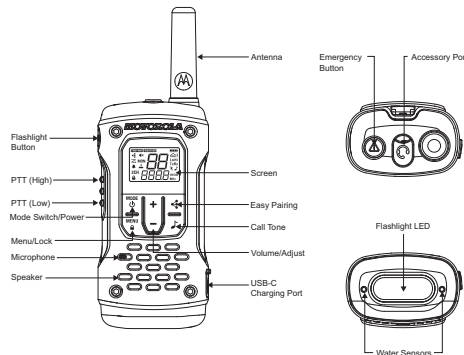


Table 1: Radio Overview

Display	Item Number	Descriptions
	1	Mute
	2	Easy Pairing
	3	Scan
	4	Roger Tone
	5	Dual Channel Monitor
	6	Lock
	7	Keypad Tone
	8	Sub Code
	9	Frequency
	10	VOX or iVOX
	11	Silent Mode (Vibrate Alert)
	12	Call Tone
	13	Transmit and Receive
	14	Low or High Power
	15	Weather Alert
	16	Battery
	17	Channel
	18	Weather Radio (HOME)
	19	Two-Way Mode

Table 1: Buttons and Functionality

Buttons	Functionality
Mode Switch/Power	<ul style="list-style-type: none"> Toggle between Two-Way and Weather modes by pressing the Mode Switch/Power button. Turn on or off the radio by pressing and holding the Mode Switch/Power button.
Menu/Lock	<ul style="list-style-type: none"> Enter and scroll through the menu by pressing the Menu/Lock button. Lock or unlock the Menu/Lock button by pressing and holding the Menu/Lock button.
Volume/Adjust	<ul style="list-style-type: none"> Adjust the volume level by pressing the + or - button. Change the settings or trigger actions in the menu screen by pressing the + or - button.
PTT High/ PTT Low Button	<ul style="list-style-type: none"> Talk by pressing and holding the PTT High/PTT Low button. You can release the PTT High/PTT Low button to stop transmission. Exit menu screen and return to home screen by pressing the PTT High/PTT Low button. <p>Note: PTT Low button always transmit at 0.5 W. PTT High button transmits at a higher power when you select a high power channel (channel 1–7 and channel 15–22).</p>
Easy Pairing	<p>Copy the channel and sub code settings from Radio A to Radio B.</p> <ul style="list-style-type: none"> Prepare Radio B for pairing by pressing and holding the Easy Pairing button until you hear a beep. Broadcast the channel and sub code settings by pressing and holding the Easy Pairing button on Radio A until you hear a double beep. <p>Note: You can copy from one radio to multiple radios simultaneously.</p>

Buttons	Functionality
Call Tone	Send call tone (ring tone) to other radios by pressing the Call Tone button.
Emergency	Activate the Emergency Alert function by pressing and holding the Emergency button.
Flashlight	Turn on or off the flashlight and to change light color between red and white by pressing the Flashlight button. Note: Red light helps preserve vision in the dark. The flashlight turns off automatically after 30 minutes of non-activity or if the battery level is below 50%.

Radio Set Up

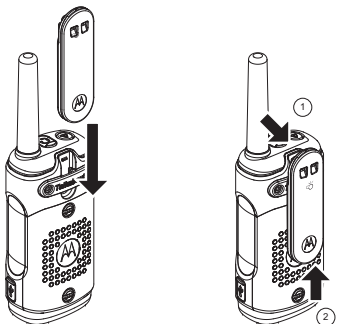
Installing and Charging Batteries

- Turn off the radio.
- Observe for polarity before installing the batteries.
- Charge the battery by using the standard USB power source.
- Charging is complete when the battery icon on the radio stops blinking. Charging takes up to 8 hours.

- Notes:**
- You can use Alkaline AA batteries.
 - Motorola Solutions recommends that you use only the battery that comes with your radio. Otherwise, your radio might sink.

Inserting and Removing a Belt Clip

- To perform the required actions, follow the numbering in the image.



Turning the Radio On and Off

- Hold the **Mode Switch/Power** button until the display turns on or off.

Channels and Sub Codes

- You must set your radios with the same channel and sub code setting to enable communication with other radios.
- The channel setting controls the radio frequency. To avoid jamming, you can select a channel that is not used by others in your area. For more information on selecting unused channel, see **Scan** in Table 2.
- Match the sub code setting on the transmitting and receiving radios. Otherwise, the receiving radio blocks the received signals. This feature helps you to mute unwanted voices from other radio users transmitting on your channel.
- When sub code is set to zero, radio does not block any signals. Everything that is picked up on the channel is sent to the speaker. Motorola Solutions recommends setting your sub code to zero if you are using T600 series radios with radios that do not support the sub code feature. For detailed instructions on ways to change settings, see **Menu Navigation** on page 2. You can copy channel and sub code settings from one radio to multiple radios simultaneously with the **Easy Pairing** feature. For ways to copy channel and sub code settings, see **Radio Overview** on page 1.

Menu Navigation

Navigating the Menu Pages

- Use the **Menu** button to scroll through the menu screen.
- Press the **PTT** to exit any screen and return to home screen.

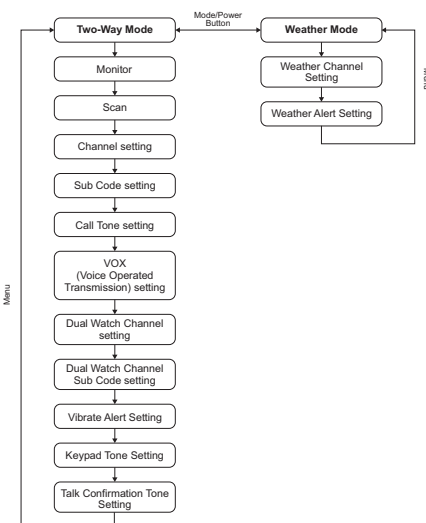


Table 2: Menu Navigation Instructions

Menu Screen	Use the + or - button to do the following:
Two-Way Mode TWO-WAY	<ul style="list-style-type: none"> Two-Way mode is the Home screen that you receive and transmit two-way radio calls. Change the volume setting by pressing the + or - button.
Monitor MON	Start or stop monitoring the airwave. You can hear signals transmitted on the channel setting of your radio. If there is no signal, you can hear static.
Scan Z	Start or stop scanning the airwave. Radio scans all the channels one after another. When a signal is detected, you hear the signal on the speaker, and the radio displays the channel of the detected signal.
Channel Setting (Channel number blinks)	Change the radio channel settings.
Sub Code setting (Sub Code number blinks)	Change the radio sub code setting.
Call Tone Setting	Change the call tone sound. There are 20 different sounds available.
VOX Setting VOX or iVOX	To change the Voice Operated Transmission (VOX) setting, select OFF or L1 to L3 . L3 is the most sensitive. Use L3 in quiet environments.
Vibrate Alert Setting	Turn the Vibrate Alert on or off. When you turn on the Vibrate Alert, the radio vibrates when call is received. Vibration is paused for 30 seconds after each vibration.
Dual Watch Channel Setting 2CH (Channel number blinks)	In Dual Scan mode, the radio toggles between the main Channel/Sub Code setting and the Dual Scan Channel/Sub Code setting. <ul style="list-style-type: none"> After you adjust the Dual Scan settings in Menu, do not push any button. Allow the radio to time out to Dual Scan mode. From Dual Scan mode, press the Menu button to exit to Home screen. From Dual Scan mode, the PTT button does not exit to Home screen.
Dual Watch Sub Code Setting 2CH (Sub code number blinks)	
Vibrate Alert Setting	Turn the Vibrate Alert on or off. When you turn on the Vibrate Alert, the radio vibrates when call is received. Vibration is paused for 30 seconds after each vibration.
Keypad Tone Setting	Turn on or off the click sound when a key or a button is pressed.
Talk Confirmation Tone Setting	Turn the Talk Confirmation Tone on or off. This tone is transmitted when you release the PTT button, similar to saying "Roger" or "Over." This tone indicates to others that you have finished talking.
Weather Mode WEATHER	<ul style="list-style-type: none"> In this mode, you can listen to weather broadcast from NOAA or Environment Canada. Adjust the volume setting by pressing the + or - button. The radio switches to Two-Way mode if no button is pressed for five minutes.
Weather Channel Setting (Weather Channel Setting blinks)	Change the weather channel setting by pressing the + or - button.
Weather Alert Setting	Turn on or off the weather alert feature by pressing the + or - button.

Radio Usage

Ensure that you are in the Two-Way mode by looking for the Two-Way icon on the LCD. You can return to the Two-Way mode by pushing the PTT button briefly.

Talking or Transmitting

- Press and hold the **PTT** button, then start talking into the microphone.
- Release the **PTT** button to stop transmission.

- Note:** Do not press the PTT button when others are talking. When more than one radio transmits on the same channel, the airwave is jammed, and all transmissions are lost.

Listening or Receiving

- The radio speaker receives signal automatically if the radio is set to the same channel and code as the transmitting radio.
- Ensure that the speaker volume is set to an appropriate level.

Adjusting Speaker Volume

- Press the **+ or -** button from the home screen.

Headset Usage

- When a headset is connected to the radio, the radio speaker is disabled. Wear the connected headset to monitor and receive messages.
- If your headset has the PTT button, you can use the button to make a transmission with the microphone on the headset.
- You can still use the PTT button on the radio to make a transmission with the microphone on the radio.

Listening to Weather Broadcast

- Go to the **Weather Radio** page to listen to the weather broadcast.
Note: Your radio does not receive signal from other two-way radios when in the **Weather Radio** page.
- From the **Weather radio** page, press the **Menu/Lock** button.
- Change the **Weather Channel Setting** and **Weather Alert Setting**.

Weather Alert

Your radio can be set to respond to NOAA Weather Radio emergency messages. A special alarm tone sounds an alert and turns on the weather receiver to give you immediate weather and emergency information.

You can turn this alert on or off in the Adjust Weather Alert Menu page.

Additional Information

iVOX or VOX

The microphone detects if you are talking when using Internal Voice Operated Transmission (iVOX) or Voice Operated Transmission (VOX). If you are talking, the radio triggers the transmission automatically.

- When iVOX is displayed, the radio uses the built-in microphone to detect your voice.
- When a VOX headset is connected to the radio, VOX is displayed, and the headset microphone is used to detect your voice.

To select the VOX/iVOX sensitivity level, select the following settings:

Table 4: VOX/iVOX Sensitivity Level

Level	Descriptions
OFF	Turn off the VOX or iVOX settings.
L3	High Sensitivity for quiet environments. Speaking softly is enough to trigger the VOX or iVOX transmission
L2	Medium Sensitivity for most environments
L1	Low Sensitivity for noisy environments. Speak up to trigger the VOX or iVOX transmission

- Note:** Pressing the **PTT** button cancels the VOX or iVOX transmission.

Scan

Radio scans for voice activity by cycling through the channels. When signals are detected, the signal is sent to the speaker. Scan feature allows you to find the channel that is used by other groups and has heavy traffic. Scan feature helps you to avoid busy channels when deciding the channel to use for your group.

Monitor

You can hear everything including noise on your current radio channel. This feature allows you to monitor a channel for weak signals.

IP-67 Waterproof Rating

This radio is waterproof to IP-67 standards. The radio can withstand submersion up to 1 meter of water for up to 30 minutes, but only when the battery cover and headset accessory port are sealed.

Open the battery compartment door or headset port cover only when the radio is dry. Installation of batteries and accessories must be in dry environments only. Ensure that the battery compartment and accessory port seals are free of all dirt and debris.

To maintain audio quality, if the radio is submerged in water, shake the radio briskly to remove water trapped inside the speaker grille and microphone port. Motorola Solutions recommends rinsing the radio with fresh water if the radio is exposed to salt water to preserve the life of the radio.

Water Sensor

When the radio comes in contact with water, the white LED begins to flash until the battery is dead. Press the **Flashlight** button to turn off the flashing LED.

Emergency Alert Mode

You can use the Emergency Alert feature to signal members in your group if you require urgent help. After pressing the Emergency button, a warbling alert tone is emitted from your radio and transmitted to the radios in your group. The T600 series radios in your group automatically advance the speaker volume to the maximum setting and sound a warbling alert tone for 8 seconds. After 8 seconds, the alert tone stops. Then, the radio is in hands free mode for 22 seconds, allowing you to talk without pressing the **PTT** button. For the 30 seconds duration of the Emergency Alert mode, T600 series radios radio controls and buttons are locked to maximize reception of the emergency message.

- Warning:** Use the Emergency Alert feature in case of emergency only. Motorola Solutions is not responsible if there is no response to the emergency alert from the receiving group.

Battery Information

The rated battery life is measured under the industrial standard 5-5-90 duty cycle under lab conditions. 5% of the time transmitting, 5% receiving with speaker on, and 90% waiting for incoming call.

Battery Capacity Maintenance

- Charge the NiMH batteries once every three months when not in use.
- Do not leave the radio connected to a charger permanently.
- Remove the battery from the radio after using for storage purposes.
- Store the NiMH batteries in a temperature between -20 °C to 35 °C and in low humidity.

Push-to-Talk Time-Out Timer

To avoid airwave traffic congestion, transmission ends after one minute even if the **PTT** button is still pressed. You can reset the timer by releasing the **PTT** button briefly.

Weather Channels and Frequencies

This section shows the weather channels and its frequencies available for the radio.

Weather Channel Frequencies

This section shows the weather channels and its frequencies available for the radio.

Table 5: Weather Channels and Frequencies.

Weather Channel	Frequency (MHz)	Weather Channel	Frequency (MHz)
WX1	162.550	WX7	162.525
WX2	162.400	WX8	161.650
WX3	162.475	WX9	161.775
WX4	162.425	WX10	161.750
WX5	162.450	WX11	162.000
WX6	162.500	—	—

Channels and Frequencies

This section shows the channels and its frequencies available for the radio.

Table 6: Channels and Frequencies

Channel	Frequency (MHz)	Power (W)	Channel	Frequency (MHz)	Power (W)
1	462.5625	2.0	12	467.6625	0.5
2	462.5875	2.0	13	467.6875	0.5
3	462.6125	2.0	14	467.7125	0.5
4	462.6375	2.0	15	462.5500	2.0
5	462.6625	2.0	16	462.5750	2.0
6	462.6875	2.0	17	462.6000	2.0
7	462.7125	2.0	18	462.6250	2.0
8	467.5625	0.5	19	467.6500	2.0
9	467.5875	0.5	20	462.6750	2.0
10	467.6125	0.5	21	462.7000	2.0
11	467.6375	0.5	22	462.7250	2.0

Note: Power refers to maximum allowable power as defined by FCC/ISED for each channel under FRS rules for USA and FRS/GMRS for Canada and is not a reflection of the power specification of the radio.

General Safety Information

Caution

Before using this radio, read this booklet which contains important operating instructions. For information on product details, brochures, user manuals and approved accessories, please refer to www.motorolasolutions.com.

Compliance with RF Exposure Standards

National and international regulations require manufacturers to comply with the RF energy exposure limits for portable two-way radios before they can be marketed. Your Motorola Solutions two-way radio is designed, manufactured, and tested to comply with all applicable national and international regulations for human exposure to radio frequency electromagnetic energy.

RF Energy Exposure Awareness and Control Information and Operational Instructions for General Population and Uncontrolled Environment Use

Note: This device is intended for use in general population conditions where radio-frequency (RF) exposure meets the requirements in national and international regulations.

For more information on what RF energy exposure is, see the following websites:

- <https://www.fcc.gov/>
- <https://www.osha.gov/>
- <https://osha.europa.eu/en>
- <http://www.who.int/peh-emf/project/en/>
- <http://www.ic.gc.ca/eic/site/smt-gst.nsf/eng/sf11467.html>
- <http://www.ic.gc.ca/eic/site/smt-gst.nsf/eng/sf01904.html>

For additional information, consult the following website:

- <http://learning.motorolasolutions.com/>
- https://www.motorolasolutions.com/en_us/about/company-overview/corporate-responsibility/governance-and-policies.html

Class B Digital Device

For a Class B digital device or peripheral, the instructions furnished the user shall include the following or similar statement, placed in a prominent location in the text of the manual:

Note: This equipment has been tested and found to comply with the limits for a Class B digital device, pursuant to part 15 of the FCC Rules. These limits are designed to provide reasonable protection against harmful interference in a residential installation. This equipment generates, uses and can radiate radio frequency energy and, if not installed and used in accordance with the instructions, may cause harmful interference to radio communications. However, there is no guarantee that interference will not occur in a particular installation. If this equipment does cause harmful interference to radio or television reception, which can be determined by turning the equipment off and on, the user is encouraged to try to correct the interference by one or more of the following measures:


- Reorient or relocate the receiving antenna.
- Increase the separation between the equipment and receiver.
- Connect the equipment into an outlet on a circuit different from that to which the receiver is connected.
- Consult the dealer or an experienced radio/TV technician for help.

Notice to Users (FCC and Industry Canada)

This device complies with Part 15 of the FCC rules and Industry Canada's license-exempt RSS's per the following conditions:

- This device may not cause harmful interference.
- This device must accept any interference received, including interference that may cause undesired operation.
- Changes or modifications made to this device, not expressly approved by Motorola Solutions, could void the authority of the user to operate this equipment.

Supplier's Declaration of Conformity

	Supplier's Declaration of Conformity Per FCC CFR 47 Part 2 Section 2.1077(a)
	Responsible Party Name: Motorola Solutions, Inc. Address: 2000 Progress Pkwy, Schaumburg, IL 60196. Phone Number: 1-800-927-2744 Hereby declares that the product: Model Name: T600 and T605 conform to the following regulations: FCC Part 15, subpart B, section 15.107(a), 15.107(d), and section 15.109(a).

Operating Instructions

- Transmit no more than 50 % of the time. To transmit (talk), press the **Push-To-Talk (PTT)** button. To receive calls, release the **PTT** button.
- Hold the radio in a vertical position in front of the face with the microphone (and other parts of the radio including the antenna) at least 1 in. (2.5 cm) away from the nose or lips. Antenna should be kept away from the eye.
- When worn on the body, always place the radio in a Motorola Solutions-approved clip, holder, holster, case, or body harness for this product.
- DO NOT hold the antenna when the radio is transmitting.
- DO NOT use any portable radio that has a damaged antenna. If a damaged antenna comes into contact with your skin, a minor burn can result.
- To ensure continued compliance with applicable RF exposure limits, use only Motorola Solutions-approved, supplied or replacement antennas, batteries, and accessories.
- For a list of Motorola Solutions-approved accessories please refer to your user manual or visit www.motorolasolutions.com.

Acoustic Safety

Exposure to loud noises from any source for extended periods of time may temporarily or permanently affect your hearing. The louder the volume of the radio, the sooner your hearing will be affected. Hearing damage from loud noise is sometimes undetectable at first, and can have a cumulative effect.

To protect your hearing, follow these precautions:

- Use the lowest volume necessary to do your job.
- Turn up the volume only if you are in noisy surroundings.
- Turn down the volume before putting on a headset or headphones.
- Limit the amount of time you use a headset or headphones at high volume.
- When using the radio without a headset or headphones, do not place the speaker of the radio directly against your ear.

Medical Devices

If you use a personal medical device, such as a pacemaker or hearing aid, consult the manufacturer of your device to determine if it is adequately shielded from RF energy. Your physician may be able to assist you in obtaining this information.

Holsters Incorporating Magnets

Motorola Solutions holsters incorporate strong, neodymium magnets. If you use a personal medical device, such as a pacemaker or hearing aid, consult the manufacturer of your device to determine if it can be used in close proximity to magnets. Your physician may be able to assist you in obtaining this information. Also be aware that magnets can damage other products, including cell phones, computers, hard drives, and other electronic devices, as well as credit cards and magnetic media. Keep the holster away from any mechanical device that could be affected by a magnetic field. Consult the manufacturer of your product to determine if your device or product can be used in close proximity to magnets.

Safety Instructions for Power Supply

- The power supply is for use with equipment according to IEC/EN/UL 62368-1/60950-1.
- The power supply is for indoor use in dry locations.
- The equipment shall be connected to a nearby and easily accessible socket outlet.
- If the power supply is damaged or defective, do not repair or use the power supply.
- For more details, please refer to https://www.motorolasolutions.com/en_xu/support/emea-compliance.html#phnav_other-products.

Operational Warnings

The following explains the operational warnings:

For Vehicle With Air Bags

- Warning:**
- Refer to vehicle manufacturer's manual prior to installation of electronic equipment to avoid interference with air bag wiring.
 - DO NOT place a portable radio in the area over an air bag or in the air bag deployment area. Air bags inflate with great force. If a portable radio is placed in the air bag deployment area and the air bag inflates, the radio may be propelled with great force and cause serious injury to occupants of the vehicle.

Blasting Caps and Blasting Areas

- Warning:** To avoid possible interference with blasting operations, turn off your radio when you are near electrical blasting caps, in a blasting area, or in areas posted: "Turn off two-way radio." Obey all signs and instructions.

Potentially Explosive Atmospheres



Warning:

- Do not carry a radio that is not certified for Hazardous Locations into a potentially explosive atmosphere. It could result in a serious injury or death. You should only use a radio certified for hazardous locations in potentially explosive atmospheres.
- Explosive atmospheres refer to hazard classified locations that may contain hazardous gas, vapors, dusts, such as fueling areas below decks on boats, fuel, or chemical transfer storage facilities, and areas where the air contains chemicals or particles such as grain, dust, or metal powders. Areas with potentially explosive atmospheres are often, but not always, posted.
- DO NOT remove, install, or charge batteries in such areas, or remove or install antennas. Sparks in a potentially explosive atmosphere can cause an explosion or fire resulting in bodily injury or even death.

Batteries



Caution: Use only Motorola Solutions approved batteries.

- Risk of explosion if the battery is replaced by an incorrect type.
- Charge your battery using the approved Motorola Solutions charger.
- Connect the charger/power supply to a nearby and easily accessible power outlet.
- Charge only Li-Ion type rechargeable batteries. Other types of batteries may burst, causing personal injury or damage. Turn off radio before charging.
- Use the battery in accordance with its water and/or dust Ingress Protection (IP) rating.
- Do not discard your battery into a fire.
- Do not replace the battery in any area labeled "Hazardous Atmosphere".
- Do not disassemble, crush, puncture, shred, or otherwise attempt to change the form of your battery.
- Do not dry a wet or damp battery with an appliance or heat source, such as a hair dryer or microwave oven.
- Do not allow conductive material such as jewelry, keys, or beaded chains to touch exposed battery terminals.
- Do not dispose of batteries with household waste.

Do Not Substitute Options or Accessories

The Motorola Solutions communications equipment certified as intrinsically safe by the approving agency (FM, UL, CSA, CENELEC) is tested as a complete system which consists of the listed agency approved portable, approved battery, and approved accessories or options, or both. This approved portable and battery combination must be strictly observed. There must be no substitution of items, even if the substitute has been previously approved with a different Motorola Solutions communications equipment unit. Approved configurations are listed by the approving agency (FM, UL, CSA, CENELEC). The Intrinsically Safe Approval Label affixed to radio refers to the intrinsically safe classification of that radio product, and the approved batteries that can be used with that system.

The manual PN referenced on the Intrinsically Safe Approval Label identifies the approved accessories and or options that can be used with that portable radio unit.

Using a non-Motorola Solutions-intrinsically safe battery and/or accessory with the Motorola Solutions-approved radio unit will void the intrinsically safe approval of that radio unit.

Licensing Information

USA (FCC)/CANADA (ISED)

According to FCC Part 95, FRS devices do not require a license. Use of Motorola radio in Canada is subject to the rules and regulations in ISED RSS 210 and do not require a license.

Changes or modifications not expressly approved by Motorola Solutions may void the user authority granted by the FCC or ISED to operate this radio and should not be made. To comply with FCC or ISED requirements, transmitter adjustments should be made only by or under the supervision of a person certified as technically qualified to perform transmitter maintenance and repairs in the private land mobile and fixed services as certified by an organization representative of the user of those services. Replacement of any transmitter component (crystal, semiconductor, etc) not authorized by the FCC or ISED equipment authorization for this radio could violate FCC or ISED rules.

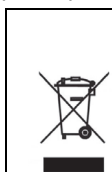


Note: Use of this radio outside the country where it was intended to be distributed is subject to government regulations and may be prohibited.

Mexico and Panama

Mexico and the Republic of Panama do not require authorization to use FRS radio equipment frequencies.

European Union (EU) Waste of Electrical and Electronic Equipment (WEEE) Directive



The European Union's WEEE directive requires that products sold into EU countries must have the crossed out trash bin label on the product (or the package in some cases). As defined by the WEEE directive, this cross-out trash bin label means that customers and end-users in EU countries should not dispose of electronic and electrical equipment or accessories in household waste. Customers or end-users in EU countries should contact their local equipment supplier representative or service center for information about the waste collection system in their country.

Warranty

Consumer Two-Way Radio Products and Accessories purchased in the United States and Canada

What Does this Warranty Cover?

Subject to the exclusions contained below, Motorola Solutions, Inc. ("Motorola") warrants the Motorola Solutions branded consumer two-way radios that operate via Family Radio Service or General Mobile Radio Service ("Products"), the Motorola Solutions branded or certified accessories sold for use with these Products ("Accessories") to be free from defects in materials and workmanship under normal consumer usage for the period(s) outlined below. This limited warranty is the exclusive remedy of a consumer, and applies as follows to new Products and Accessories and purchased by consumers in USA and Canada, which are accompanied by this written warranty:

Who is Covered?

This warranty extends only to the first consumer purchaser, and is not transferable.

What will MOTOROLA SOLUTIONS, INC. do?

Motorola Solutions, Inc., at its option, will at no charge repair, replace or refund the purchase price of any Products or Accessories that do not conform to this warranty.

We may use functionally equivalent reconditioned/refurbished/pre-owned or new Products or Accessories.

What Other Limitations Are There?

Any Implied Warranties, Including Without Limitation

The implied warranties of merchantability and fitness for a particular purpose, shall be limited to the duration of this limited warranty, otherwise the repair, replacement, or refund as provided under this express limited warranty is the exclusive remedy of the consumers, and is provided in lieu of all other warranties, express or implied. In no event shall Motorola Solutions be liable, whether in contract or tort (including negligence) for damages in excess of the purchase price of the product or accessory, or for any indirect, incidental, special or consequential damages of any kind, or loss of revenue or profits, loss of business, loss of information or other financial loss arising out of or in connection with the ability or inability to use the products or accessories to the full extent these damages may be disclaimed by law.

Some states and jurisdictions do not allow the limitation or exclusion of incidental or consequential damages, or limitation on the length of an implied warranty, so the above limitations or exclusions may not apply to you. This warranty gives you specific legal rights, and you may also have other rights that vary from state to state or from one jurisdiction to another.

USA and Canada

Products Covered	Length Of Coverage
Products and Accessories as defined above, unless otherwise provided for below.	Two (2) years from the date of purchase by the first consumer purchaser of the product unless otherwise provided for below
Products and Accessories that are repaired or replaced.	The balance of the original warranty or for ninety (90) days from the date returned to the consumer, whichever is longer.

HOW TO OBTAIN WARRANTY SERVICE OR OTHER INFORMATION?

To obtain service or information, please call

Country	Service Information
USA and Canada Two-Way Radios	<ul style="list-style-type: none">1-800-448-6686.www.motorolasolutions.com/talk-about
Latin America	Toll Free: <ul style="list-style-type: none">Mexico 001-855-241-8253Panama 001-800-205-3867 Toll or long distance: <ul style="list-style-type: none">Spanish +1 630-203-5826English +1 630-203-5824

For Accessories

Call the telephone number designated above for the Product with which they are used.

You will receive instructions on how to ship the Products or Accessories at your expense, to Motorola Solutions, or a Motorola Solutions Authorized Repair Center. To obtain service, you must include the following:

- A copy of your receipt, bill of sale or other comparable proof of purchase
- A written description of the problem
- The name of your service provider, if applicable;
- The name and location of the installation facility (if applicable)
- Your address and telephone number.

For more information, please visit us at:



<https://www.facebook.com/MotorolaTalkaboutWalkieTalkies>



<http://bit.ly/Talkabout>



<http://www.motorolasolutions.com/talkabout>