

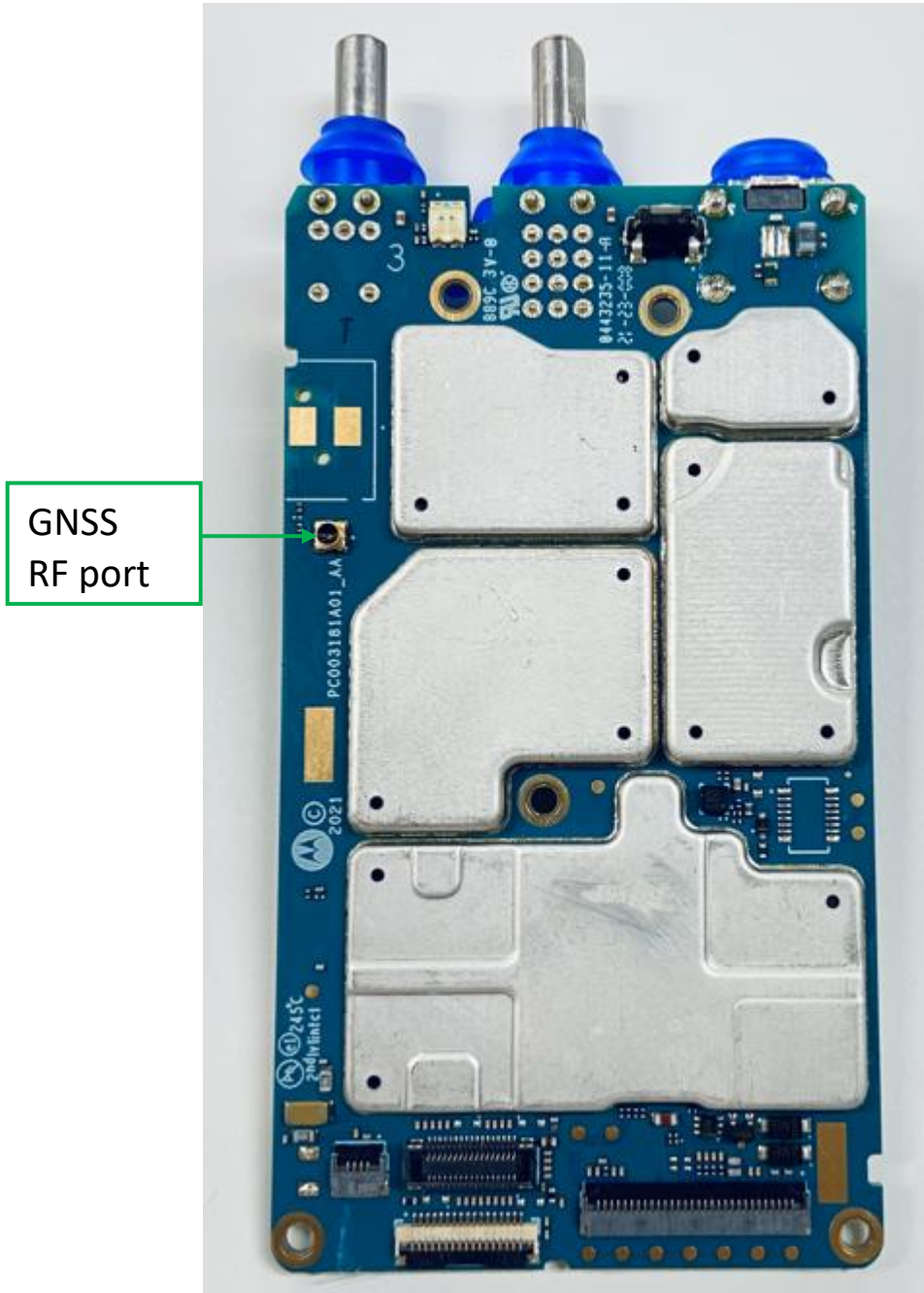
EXHIBIT 9**Internal Photographs**

(Pursuant to FCC Part 2.1033(b)(7), 2.1033(c)(12) and RSP 100 Annex C)

The following photographs are attached.

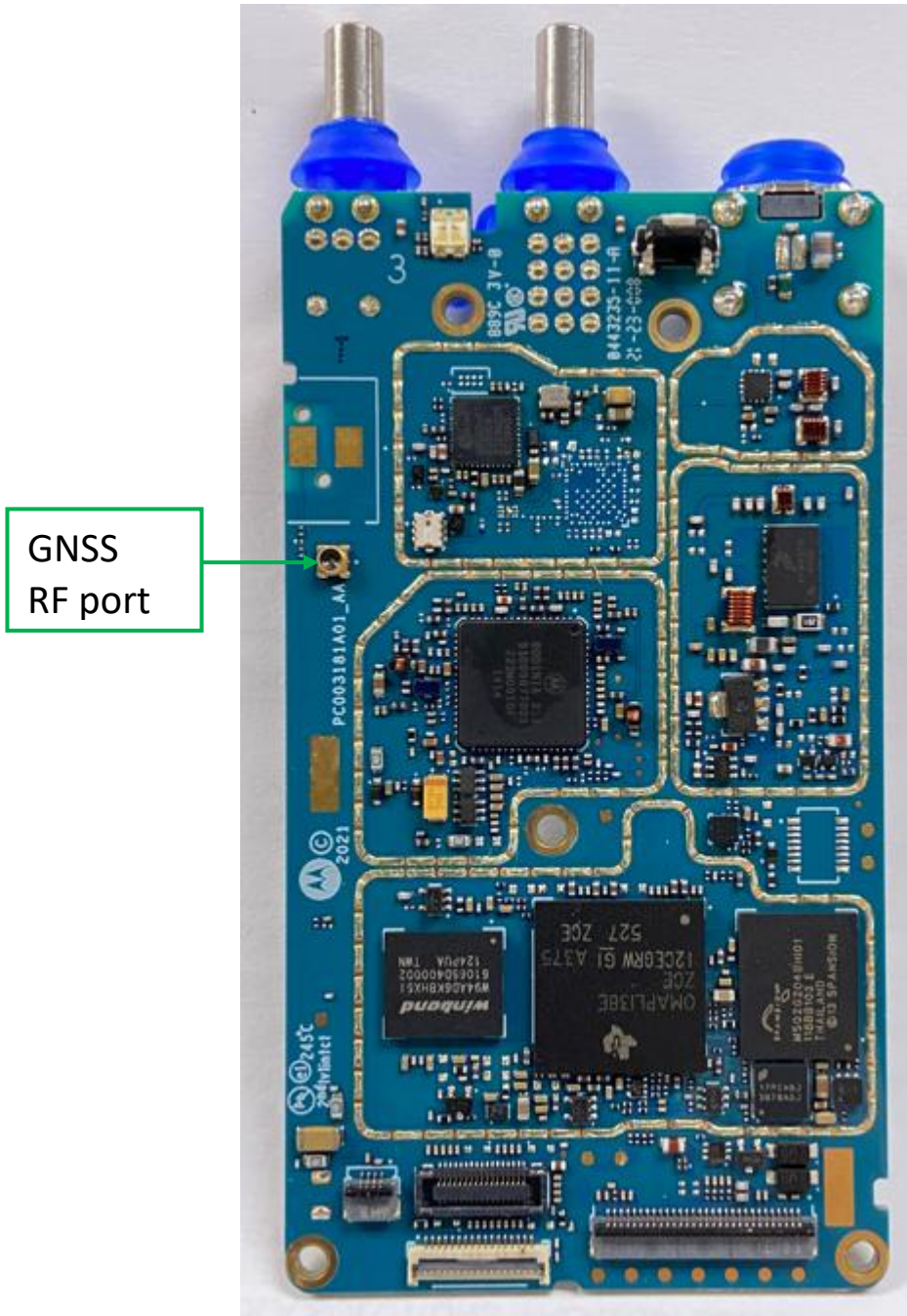
	<u>Exhibit</u>
1. RF board <u>with</u> Shields (Top) Non-TIA4950	9A
2. RF board <u>without</u> Shields (Top) Non-TIA4950	9B
3. RF board <u>with</u> Shields (Bottom) Non-TIA4950	9C
4. RF board <u>without</u> Shields (Bottom) Non-TIA4950	9D
5. RF boards <u>with</u> chassis and housing for (Front Side), FKP Non-TIA4950	9E
6. Chassis and Housing (Back Side), FKP Non-TIA4950	9F
7. RF boards <u>with</u> chassis and housing for (Front Side), NKP Non-TIA4950	9G
8. Chassis and Housing (Back Side), NKP Non-TIA4950	9H
9. RF board <u>with</u> Shields (Top) TIA4950	9I
10. RF board <u>without</u> Shields (Top) TIA4950	9J
11. RF board <u>with</u> Shields (Bottom) TIA4950	9K
12. RF board <u>without</u> Shields (Bottom) TIA4950	9L
13. RF boards <u>with</u> chassis and housing for (Front Side), FKP TIA4950	9M
14. Chassis and Housing (Back Side), FKP TIA4950	9N
15. RF boards <u>with</u> chassis and housing for (Front Side), NKP TIA4950	9O
16. Chassis and Housing (Back Side), NKP TIA4950	9P
17. Keypad Board (Top), FKP	9Q
18. Keypad Board (Bottom), FKP	9R
19. Interface Board (Top)	9S
20. Interface Board (Bottom)	9T
21. Exploded View of FKP radio	9U
22. Exploded View of NKP radio	9V

Exhibit 9A



RF Board With Shields (Top) Non-TIA4950

Exhibit 9B



RF Board Without Shields (Top) Non-TIA4950

Exhibit 9C



RF Board With Shields (Bottom) Non-TIA4950

Exhibit 9D



RF Board Without Shields (Bottom) Non-TIA4950

Exhibit 9E



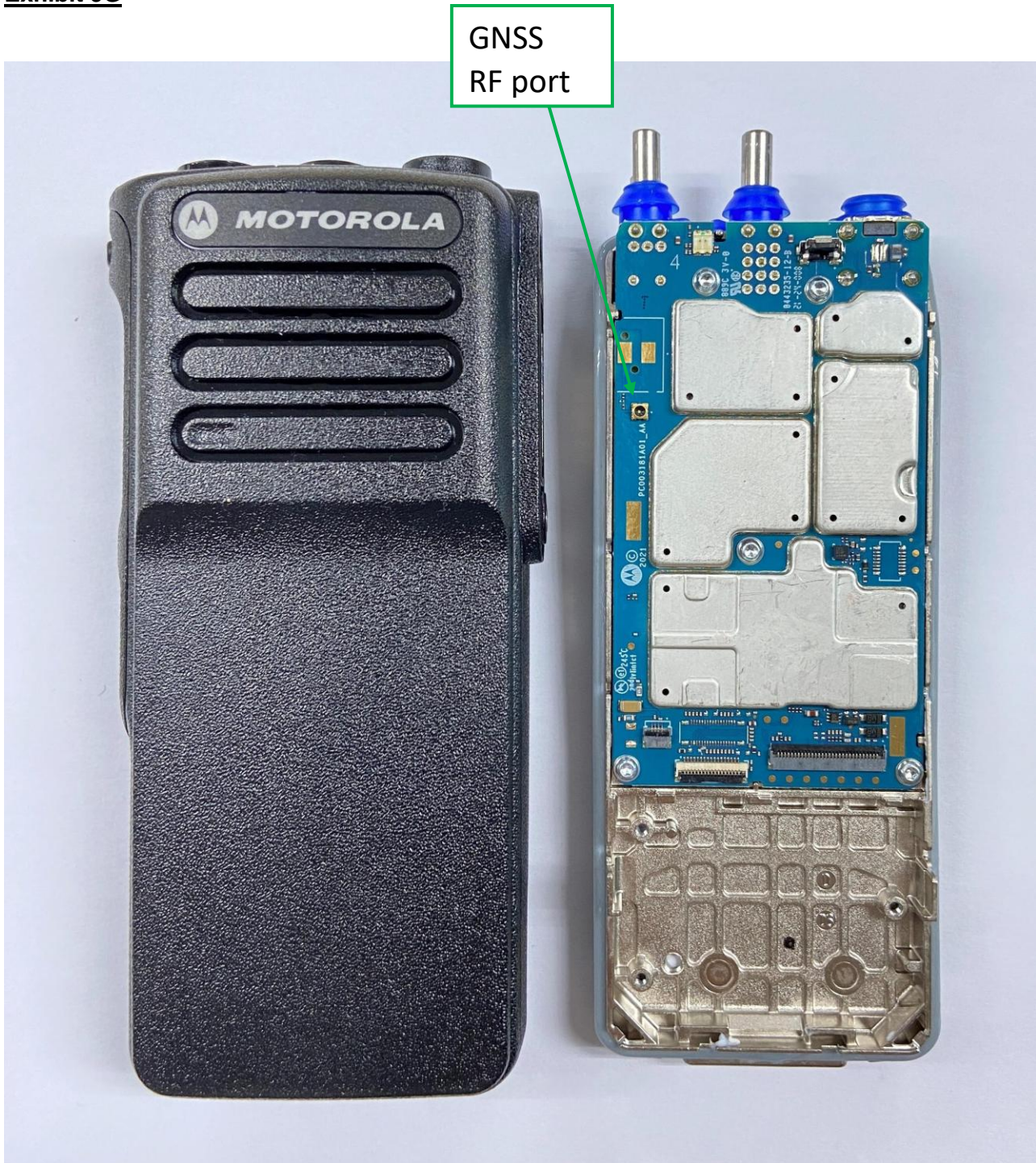
RF Board With Chassis and Housing (Front Side) FKP Non-TIA4950

Exhibit 9F



Chassis and Housing (Back Side) FKP Non-TIA4950

Exhibit 9G



RF Board With Chassis and Housing (Front Side) NKP Non-TIA4950

Exhibit 9H



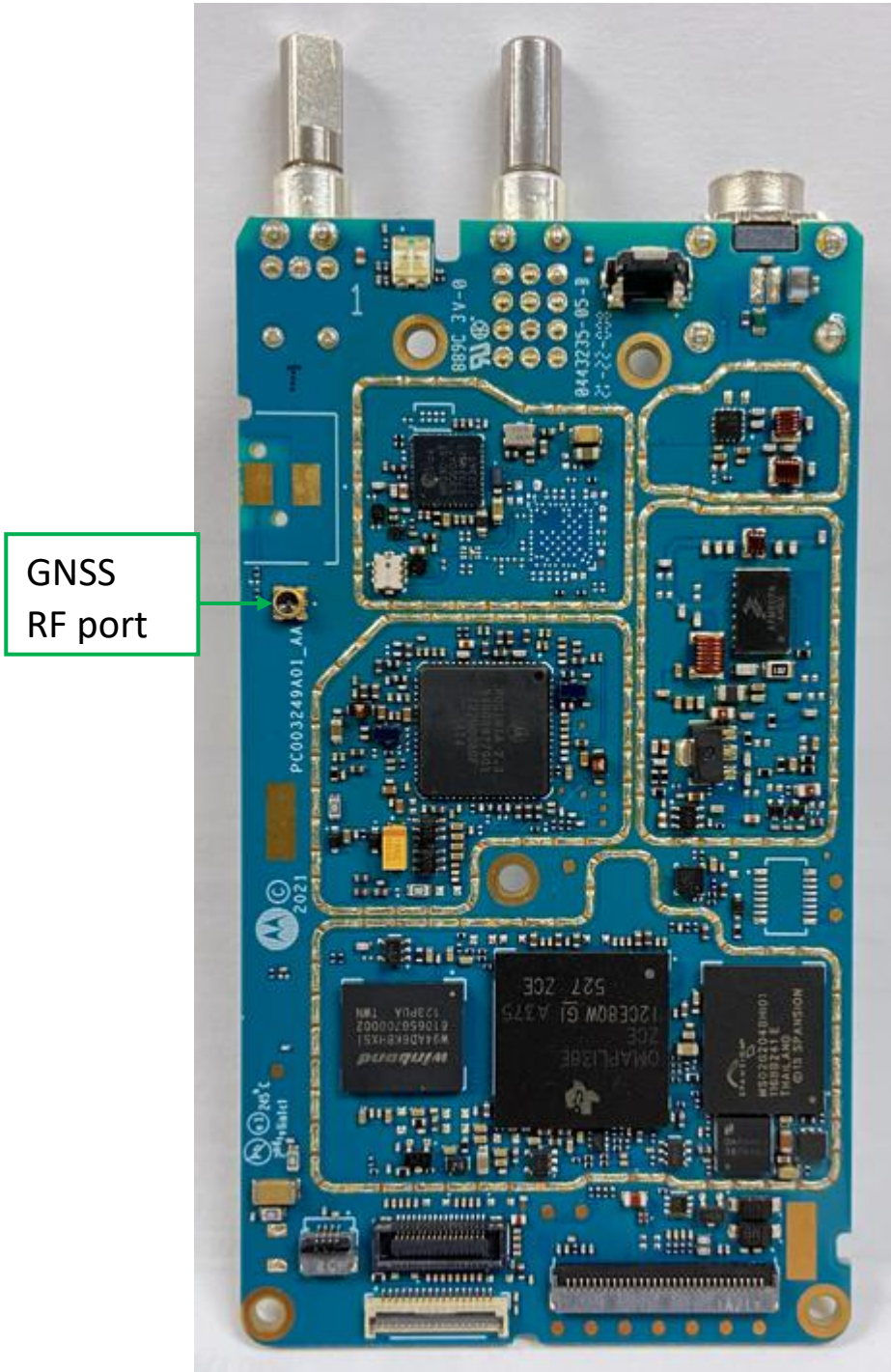
Chassis and Housing (Back Side) NKP Non-TIA4950

Exhibit 9



RF Board With Shields (Top) TIA4950

Exhibit 9J



RF Board Without Shields (Top) TIA4950

Exhibit 9K



RF Board With Shields (Bottom) TIA4950

Exhibit 9L



RF Board Without Shields (Bottom) TIA4950

Exhibit 9M



RF Board With Chassis and Housing (Front Side) FKP TIA4950

Exhibit 9N



Chassis and Housing (Back Side) FKP TIA4950

Exhibit 90



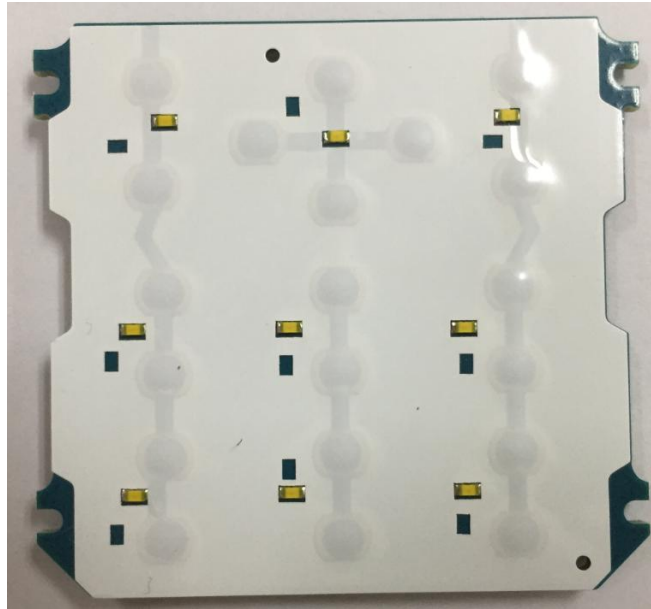
RF Board With Chassis and Housing (Front Side) NKP TIA4950

Exhibit 9P



Chassis and Housing (Back Side) NKP TIA4950

Exhibit 9Q



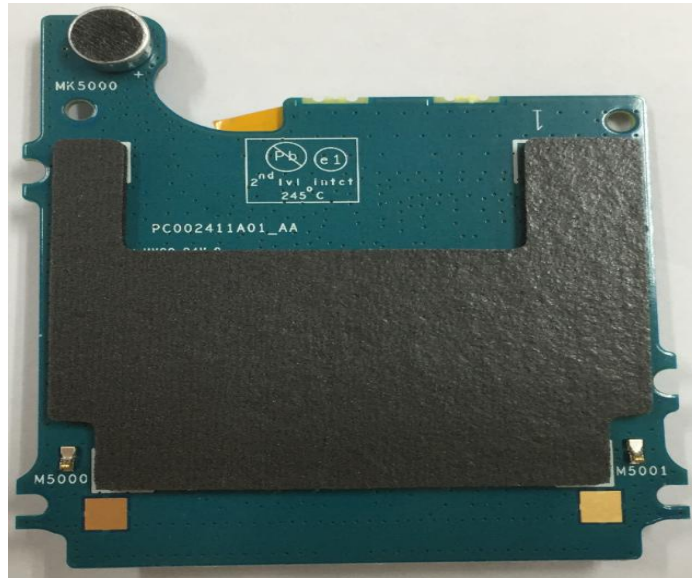
Keypad board (Top), FKP

Exhibit 9R



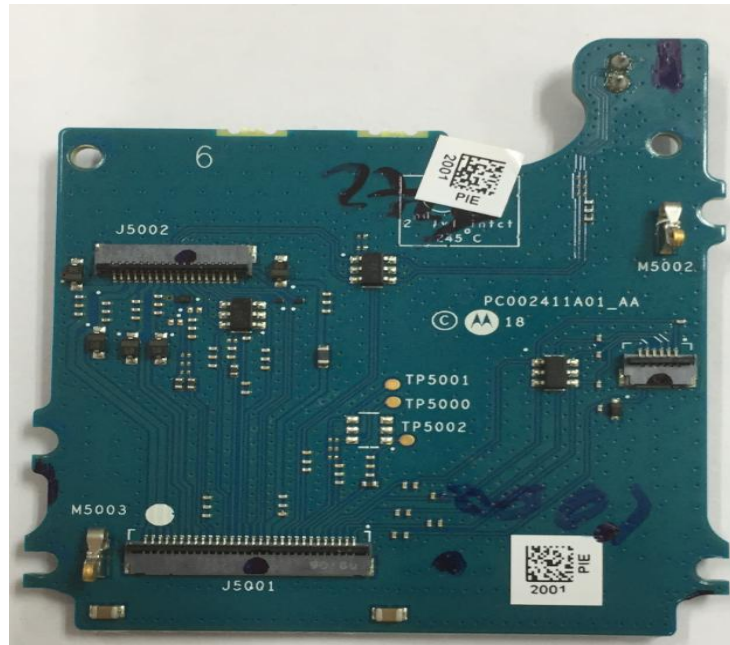
Keypad board (Bottom), FKP

Exhibit 9S



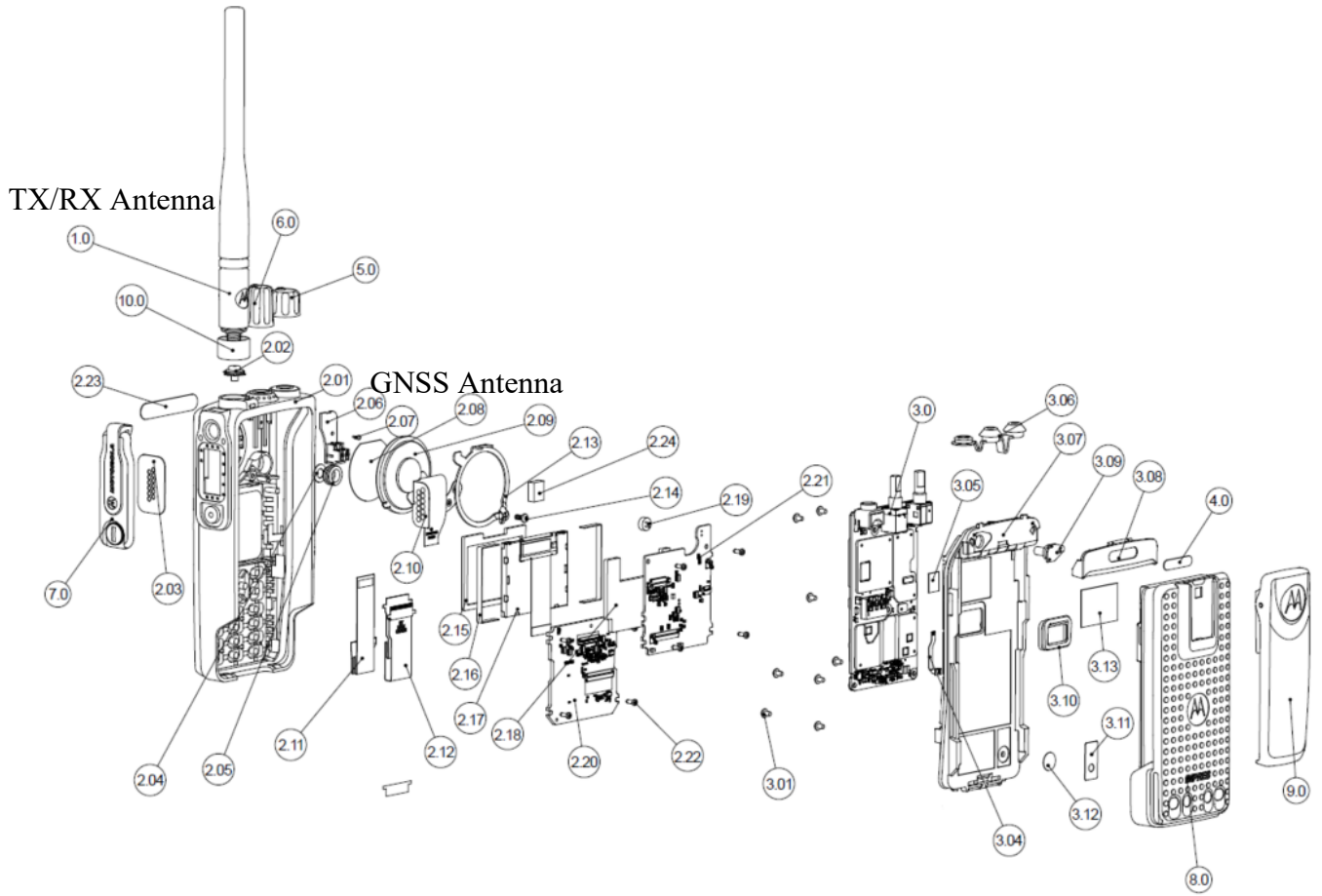
Interface board (Top)

Exhibit 9T



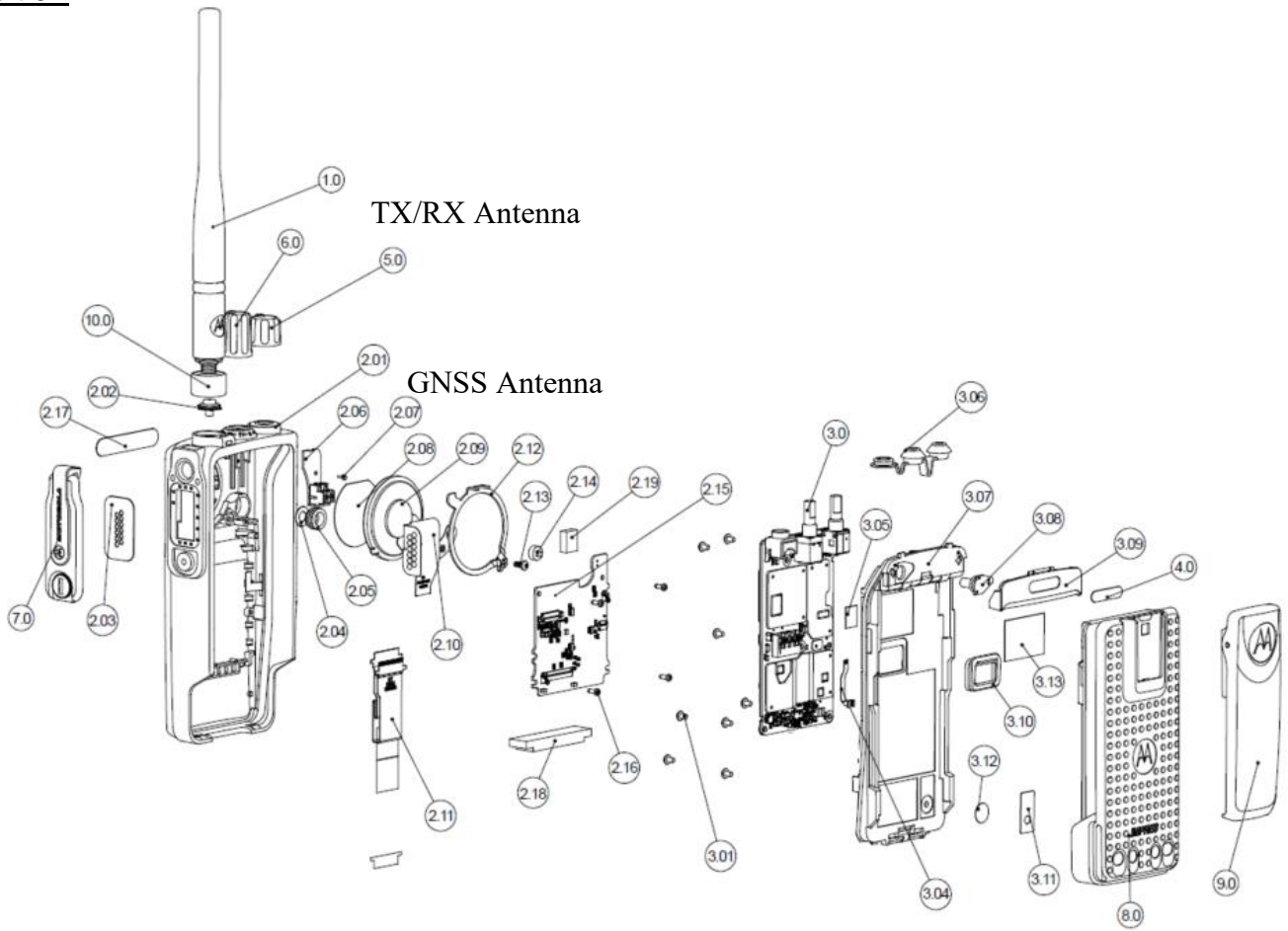
Interface board (Bottom)

Exhibit 9U



Exploded View of FKP Radio

Exhibit 9V



Exploded View of NKP Radio

*****END*****