
 <p style="font-size: small;">MS ISO/IEC 17025 TESTING SAMM NO. 0825</p> <p>CERTIFICATE 2518.08</p>																																
<p>MOTOROLA PENANG ADV. COMM. LABORATORY Motorola Solutions Malaysia SDN BHD, Plot 2A, Medan Bayan Lepas, Mukim 12 S.W.D, 11900 Bayan Lepas, Penang, Malaysia.</p>	<p>TEST REPORT Report Revision : Rev.B</p>																																
<table style="width: 100%; border: none;"> <tr> <td style="width: 30%;">Date/s Tested</td> <td style="width: 70%;">: 07-October-2021 to 13-October-2021</td> </tr> <tr> <td>Report Issue Date</td> <td>: 15-October-2021</td> </tr> <tr> <td>Manufacturer</td> <td>: Motorola Solutions Malaysia SDN BHD</td> </tr> <tr> <td>Manufacturer Address</td> <td>: Plot 2A, Medan Bayan Lepas, Mukim 12 SWD, 11900 Bayan Lepas, Penang, Malaysia</td> </tr> <tr> <td>Requestor</td> <td>: CHEW LOOI WONG</td> </tr> <tr> <td>Product Type</td> <td>: Portable</td> </tr> <tr> <td>Product Version (PMN)</td> <td>: XPR 7550e</td> </tr> <tr> <td>Model Number (HVIN)</td> <td>: AAH56RDN9WA1AN-1; IC MODEL: PMUE5841AACNWA</td> </tr> <tr> <td>Frequency Band</td> <td>: 403-512 MHz</td> </tr> <tr> <td>Max RF Output Power</td> <td>: 4.8 Watts</td> </tr> <tr> <td>Applicant Name</td> <td>: Motorola Solutions Inc</td> </tr> <tr> <td>Applicant Address</td> <td>: 8000 West Sunrise Boulevard, Fort Lauderdale, Florida 33322</td> </tr> <tr> <td>ISED Registrations</td> <td>: MY0001</td> </tr> <tr> <td>FCC Registrations</td> <td>: 461337</td> </tr> <tr> <td>Firmware Version (FVIN)</td> <td>: R02.21.01.1001</td> </tr> </table> <p>The equipment was tested accordance to the requirement listed below: (LMR)</p> <table style="width: 100%; border: none;"> <tr> <td style="width: 60%;"> FCC 47 CFR Part 2/22/74/80/90 ISED RSS-Gen Issue5/ 119 Issue12 </td> <td style="width: 40%; text-align: center; vertical-align: middle;">PASS</td> </tr> </table>		Date/s Tested	: 07-October-2021 to 13-October-2021	Report Issue Date	: 15-October-2021	Manufacturer	: Motorola Solutions Malaysia SDN BHD	Manufacturer Address	: Plot 2A, Medan Bayan Lepas, Mukim 12 SWD, 11900 Bayan Lepas, Penang, Malaysia	Requestor	: CHEW LOOI WONG	Product Type	: Portable	Product Version (PMN)	: XPR 7550e	Model Number (HVIN)	: AAH56RDN9WA1AN-1; IC MODEL: PMUE5841AACNWA	Frequency Band	: 403-512 MHz	Max RF Output Power	: 4.8 Watts	Applicant Name	: Motorola Solutions Inc	Applicant Address	: 8000 West Sunrise Boulevard, Fort Lauderdale, Florida 33322	ISED Registrations	: MY0001	FCC Registrations	: 461337	Firmware Version (FVIN)	: R02.21.01.1001	FCC 47 CFR Part 2/22/74/80/90 ISED RSS-Gen Issue5/ 119 Issue12	PASS
Date/s Tested	: 07-October-2021 to 13-October-2021																																
Report Issue Date	: 15-October-2021																																
Manufacturer	: Motorola Solutions Malaysia SDN BHD																																
Manufacturer Address	: Plot 2A, Medan Bayan Lepas, Mukim 12 SWD, 11900 Bayan Lepas, Penang, Malaysia																																
Requestor	: CHEW LOOI WONG																																
Product Type	: Portable																																
Product Version (PMN)	: XPR 7550e																																
Model Number (HVIN)	: AAH56RDN9WA1AN-1; IC MODEL: PMUE5841AACNWA																																
Frequency Band	: 403-512 MHz																																
Max RF Output Power	: 4.8 Watts																																
Applicant Name	: Motorola Solutions Inc																																
Applicant Address	: 8000 West Sunrise Boulevard, Fort Lauderdale, Florida 33322																																
ISED Registrations	: MY0001																																
FCC Registrations	: 461337																																
Firmware Version (FVIN)	: R02.21.01.1001																																
FCC 47 CFR Part 2/22/74/80/90 ISED RSS-Gen Issue5/ 119 Issue12	PASS																																
<p>This report shall not be reproduced without written approval from an officially designated representative of the Motorola Penang Adv. Comm. Laboratory. The results and statements contained in this report pertain only to the device(s) evaluated.</p>																																	
<p>Prepared By:</p> <div style="text-align: center;">  <hr style="width: 200px; margin: 0 auto;"/> <p>FARIS ABDULLAH Test Personnel</p> </div>	<p>Approved Signatory:</p> <div style="text-align: center;"> <hr style="width: 200px; margin: 0 auto;"/> <p>SOON OI MAY Responsible Engineer</p> </div>																																

Table of Contents

Report Revision History	3
1.0 General Information.....	4
2.0 Summary of Test Results	5
3.0 Measurement Uncertainty	6
4.0 Equipment List.....	7
5.0 Test Condition.....	8
5.1. Transmitter Test Conditions	8
6.0 Transmitter Test Parameters	9
6.1. RF Output Power	9
6.1.1. Test Setup.....	9
6.1.2. Test Result	9
6.2. Frequency Stability	10
6.2.1. Test Setup.....	10
6.2.2. Test Result	11
6.2.3. Test Limit.....	11
6.3. Audio Frequency Response	12
6.3.1. Test Setup.....	12
6.3.2. Test Result	12
6.3.3. Test Limit.....	12
6.4. Audio Low Pass Filter Response	13
6.4.1. Test Setup.....	13
6.4.2. Test Result	13
6.4.3. Test Limit.....	14
6.5. Modulation Limiting	15
6.5.1. Test Setup.....	15
6.5.2. Test Result	15
6.5.3. Test Limit.....	15
6.6. Occupied Bandwidth.....	16
6.6.1. Test Setup (Analog)	16
6.6.2. Test Result (Analog).....	16
6.6.3. Test Setup (Digital).....	17
6.6.4. Test Result (Digital).....	17
6.6.5. Test Limit.....	17
6.7. Band Edge Conducted Spurious Emission (Part 22)	18
6.7.1. Test Setup (Analog)	18
6.7.2. Test Result (Analog).....	18
6.7.3. Test Setup (Digital).....	19
6.7.4. Test Result (Digital).....	19
6.7.5. Test Limit.....	19
6.8. Transient Frequency Behavior	20
6.8.1. Test Setup.....	20
6.8.2. Test Result	20
6.8.3. Test Limit.....	21
6.9. Adjacent Channel Power.....	22
6.9.1. Test Setup (Analog)	22
6.9.2. Test Result	22
6.9.3. Test Setup (Digital).....	23

6.9.4. Test Result 23
 6.9.5. Test Limit..... 24
 6.10. Conducted Spurious Emission 26
 6.10.1. Test Setup..... 26
 6.10.2. Test Result (Analog)..... 27
 6.10.3. Test Result (Digital)..... 27
 6.10.4. Test Limit..... 27
 6.11. Radiated Spurious Emission 28
 6.11.1. Test Setup..... 28
 6.11.2. Test Result (Analog)..... 29
 6.11.3. Test Result (Digital)..... 31
 6.11.4. Test Limit..... 32
 6.12. Effective Radiated Power (ERP) 33
 6.12.1. Test Setup..... 33
 6.12.2. Test Result 33
 6.12.3. Test Limit..... 33
 6.13. GNSS (EIRP for 1559 - 1610MHz)..... 34
 6.13.1. Test Setup..... 34
 6.13.1. Test Result 34
 6.13.2. Test Limit..... 34

Report Revision History

Revision History	Description	Date	Originator
Rev. A	Initial Report	13-Oct-2021	Faris Abdullah
Rev. B	Remove the non related rules part in 2.0 Summary of Test Result.	20-Oct-2021	Faris Abdullah

1.0 General Information

EUT Description:

Technologies	Land Mobile Radio (LMR)
Modulation Type	Analog & Digital

The EUT contains following accessory devices and data cable:

Item	Brand	Model or P/N
BELIZE TIA4950 IMPRES HIGH CAP LI ION BATTERY 2850M2900T	MOTOROLA	PMNN4489B

General Description of Applied Standards

The EUT is a RF Product. According to the specifications of the manufacturer, the EUT is to comply with the requirements of the following standards:

ANSI C63.26-2015

No modifications were done to the UUT to facilitate the tests in this report.

Deviation from standard

Not applicable as no deviation from standard test method

Antenna gain disclaimer

Antenna gain information is provided by customer. The validity of the results is dependent upon this information. The lab will not be held accountable in the event the supplied information affects compliance.

Test configuration of EUT

All relevant configurations involving radio models and accessories (including chargers, batteries, and antennas) were assessed. Only worst case configurations will be included in this report.

2.0 Summary of Test Results

FCC General Rules Part (47CFR)	ISED General Rules Part	Test Item	Result	Remarks	Serial number tested
2.1046(a), 22.565(f), 74.461, 80.215	RSS-Gen, RSS-119	RF Power Output	NA	See Note1&2	
2.1055, 22.355, 74.464, 80.209	RSS-Gen, RSS-119	Frequency Stability	NA	See Note1&2	
2.1047	-	Audio Frequency Response	NA	See Note1&2	
2.1047	-	Audio Low Pass Filter Response	NA	See Note1&2	
2.1047, 74.463, 80.213	-	Modulation limiting	NA	See Note1&2	
2.1049, 22.359, 90.21, 74.462, 80.211(b), (c)	RSS-Gen, RSS-119	Occupied Bandwidth	NA	See Note1&2	
2.1051, 22.359 (a), (b)	-	Band Edge Conducted Spurious Emission	NA	See Note1&2	
90.214	RSS-119 (5.9)	Transient Frequency Behavior	NA	See Note1&2	
90.543(a), (b)	RSS-119 (4.3), (5.8.9.1)	Adjacent Channel Power	NA		
2.1051, 22.359, 90.210, 74.462(c), 80.211(c)	RSS-Gen, RSS-119 (4.2), (5.8)	Conducted Spurious Emissions	NA	See Note1&2	
2.1051, 22.359, 90.210, 74.462(c), 80.211(c)	RSS-Gen, RSS-119	Radiated Spurious Emission	Pass	Worst case Emission: -48.2104dBm (Noise floor) (margin: 28.2104dB)	871TXTD076
-	-	GNSS (EIRP for 1559 – 1610MHz)	NA		
-	-	Effective Radiated Power (ERP)	NA	See Note1&2	

NA → Not Applicable

Note1: References data from FCC: AZ489FT7128/ IC: 109U-89FT7128.

Note2: The LMR section is identical to FCC: AZ489FT7128/ IC: 109U-89FT7128. Hence the conducted parameters will inherit from FCC: AZ489FT7128/ IC: 109U-89FT7128. Radiated parameter is repeated as sanity check for the depopulation of components in a different subsection circuitry. As per KDB 484596 D01v01, the applicant takes full responsibility that data referenced represents compliance to the relevant rules for this current FCC ID.

3.0 Measurement Uncertainty

Measurement	Frequency	Expanded Uncertainty (k=1.96) (±)
AC Power Line Conducted Spurious Emission	150KHz ~ 30MHz	3.48 dB
Radiated Emissions up to 1 GHz dB μ V/m (Field Strength)	30MHz ~ 1000MHz	5.88 dB
Radiated Emissions above 1 GHz dB μ V/m (Field Strength)	1GHz ~ 18GHz	5.84 dB
	18GHz ~ 40GHz	6.02 dB
Radiated Emissions dBm (ERP/EiRP)	30MHz ~ 18GHz	4.03 dB
Conducted Spurious Emissions	9kHz ~ 12.75GHz	2.82 dB
Frequency Stability	9kHz ~ 12.75GHz	0.0085 ppm
Audio Frequency Response / Low Pass Filter Response	300Hz – 20kHz	4.09 %
Modulation Limiting	300Hz – 3kHz	1.15 %
Occupied Bandwidth	9kHz ~ 12.75GHz	2.82 dB
Band Edge Conducted Spurious Emission	9kHz ~ 12.75GHz	2.82 dB
Transient Frequency Behavior	9kHz ~ 12.75GHz	5.4 ms
Adjacent Channel Power	9kHz ~ 12.75GHz	2.82 dB

4.0 Equipment List

FCC Analog ATE#1:
Not Applicable

FCC Transient ATE #1:
Not Applicable

Conducted Spur Emission ATE # 1:
Not Applicable

Radiated Emission Station:

Description	Model #	Serial Number	Calibration Date	Calibration Due Date
EMI TEST RECEIVER	ESIB40	100307	08-Jan-21	08-Jan-22
3m Semi-anechoic Chamber	NA	888032	No Cal. Req'd	No Cal. Req'd
TURNTABLE FLUSH MOUNT 2M	T-200-S	N/A	No Cal. Req'd	No Cal. Req'd
Bore sight Antenna mast	MBS-500	N/A	No Cal. Req'd	No Cal. Req'd
PROGRAMMING CONTROLLER	MF-7802BS	N/A	No Cal. Req'd	No Cal. Req'd
POWER SUPPLY (200 WATT SYSTEM 60v, 35A)	6674A	3126A00133	04-Nov-20	04-Nov-21
EMI TEST RECEIVER	ESW44	101731	23-Mar-21	23-Mar-22
DATA LOGGER	SDL500	A.016776	17-Jun-21	17-Jun-22
BILOG ANTENNA	CBL6112D	55546	16-Jun-21	16-Jun-22
BILOG ANTENNA	CBL6112B	2964	4-May-21	4-May-22
DRG HORN FREQ.	SAS-571	1143	24-Feb-21	24-Feb-23
DRG HORN FREQ.	SAS-571	566	22-Oct-19	22-Oct-21
PREAMPLIFIER	PAM-0118	427	13-May-20	13-May-23
SIGNAL GENERATOR	SMB100A	180683	13-Apr-21	13-Apr-24
LOOP ANTENNA	6502	00203479	5-Feb-21	5-Feb-22
BROAD-BAND HORN ANTENNA	BBHA9170	BBHA9170255	04-Feb-21	04-Feb-22
Test Software	EMC FCC IC Bluetooth RE Test			
Version	EMC FCC RE v1.6.2			

5.0 Test Condition

5.1. Transmitter Test Conditions

Test Item, (Channel Spacing)	Power (W)	Modulation	Test Frequency (MHz)	Tested By	Environmental conditions
RF Output Power	NA	NA	NA		
Frequency Stability	NA	NA	NA		
Audio Frequency Response (NA)	NA	NA	NA		
Audio Low Pass Filter Response (NA)	NA	NA	NA		
Modulation limiting (NA)	NA	NA	NA		
Occupied Bandwidth (NA)	NA	NA	NA		
Band Edge Conducted Spurious Emissions (Part 22) (NA)	NA	NA	NA		
Transient Frequency Behavior (UHF & VHF Band) (NA)	NA	NA	NA		
Adjacent Channel Power (700MHz Band) (NA)	NA	NA	NA		
Conducted Spurious Emissions- (NA)	NA	NA	NA		
Radiated Spurious Emission (12.5kHz, 25kHz)	Max	Analog, Digital	* 467.775, * 511.9875	Azil, Abid & Nazirul	Temp(Deg): 23.2 Hum(%RH): 69.8
GNSS (EIRP for 1559 - 1610MHz) (NA)	NA	NA	NA		
Effective Radiated Power (ERP) (NA)	NA	NA	NA		

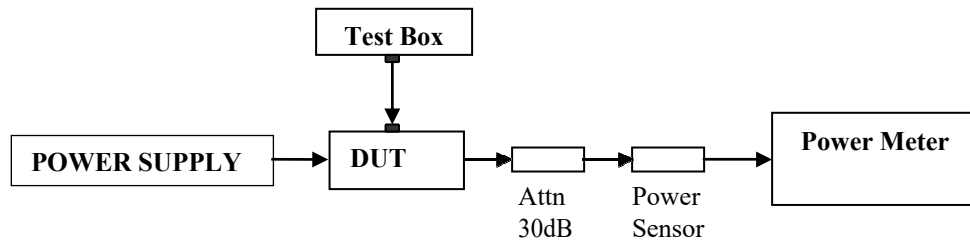
NA → Not Applicable

*The tested channel selected is based on the worst case radiated emission result from FCC: AZ489FT7128/ IC: 109U-89FT7128.

6.0 Transmitter Test Parameters

6.1 RF Output Power

6.1.1 Test Setup

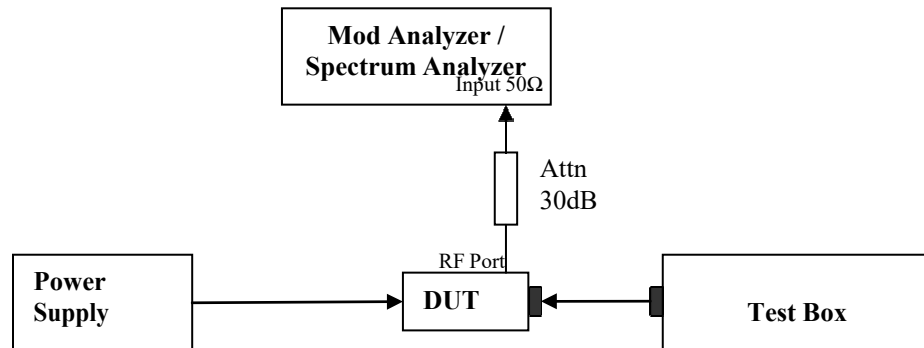


- 1) The DUT transmitter connected to Power Meter using the 30 dB attenuator and power sensor with above setup.
- 2) Path loss for the measurement included.
- 3) All the measurement was done at low, mid, high frequency for each band.
- 4) Record the power into the test report.

6.1.2 Test Result Not Applicable

6.2. Frequency Stability

6.2.1. Test Setup



- 1) The DUT transmitter output port was connected to Modulation / Spectrum Analyzer.
- 2) Path loss for the measurement included.
- 3) Transmit the DUT and record the freq in MCF_{MHz} .
- 4) Test in 2 conditions:
 - Temperature: The frequency of the transmitter was measured from -30°C to 50°C.
 - Supply Voltage:
 - Mobile: The frequency of the transmitter was measured from 85% to 115% of the nominal operating input voltage.
 - Portable: The frequency of the transmitter was measured from nominal $\pm x$ % as specified by the manufacturer
- 5) Calculate the ppm frequency error by the following:

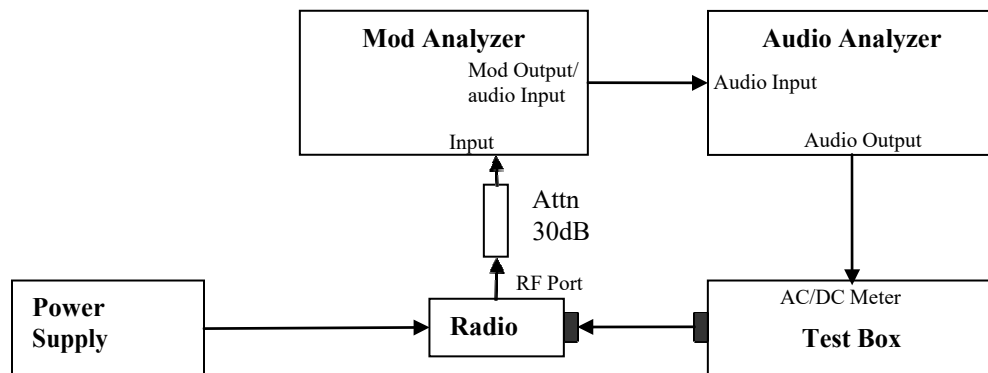
Where: MCF_{MHz} is the Measured Carrier Frequency in MHz
 ACF_{MHz} is the Assigned Carrier Frequency in MHz

6.2.2. Test Result
Not Applicable

6.2.3. Test Limit
As per manufacturer declared spec +/- #. #ppm

6.3. Audio Frequency Response

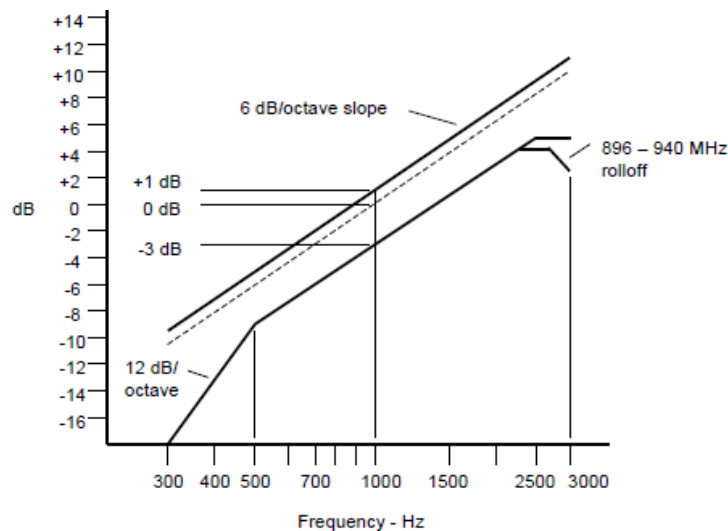
6.3.1. Test Setup



- 1) The DUT transmitter output port was connected to Modulation Analyzer.
- 2) Path loss for the measurement included.
- 3) Set the audio bandwidth filter to 15 kHz and 50 kHz.
- 4) Transmit the radio and set the audio analyzer to 1 kHz audio frequency and 20% of the Full rated system deviation.
- 5) On audio analyzer, set the rated level as reference to zero.
- 6) Vary the audio frequency from 300 Hz to 3 kHz. Record the change in dB on the audio analyzer.

6.3.2. Test Result Not Applicable

6.3.3. Test Limit

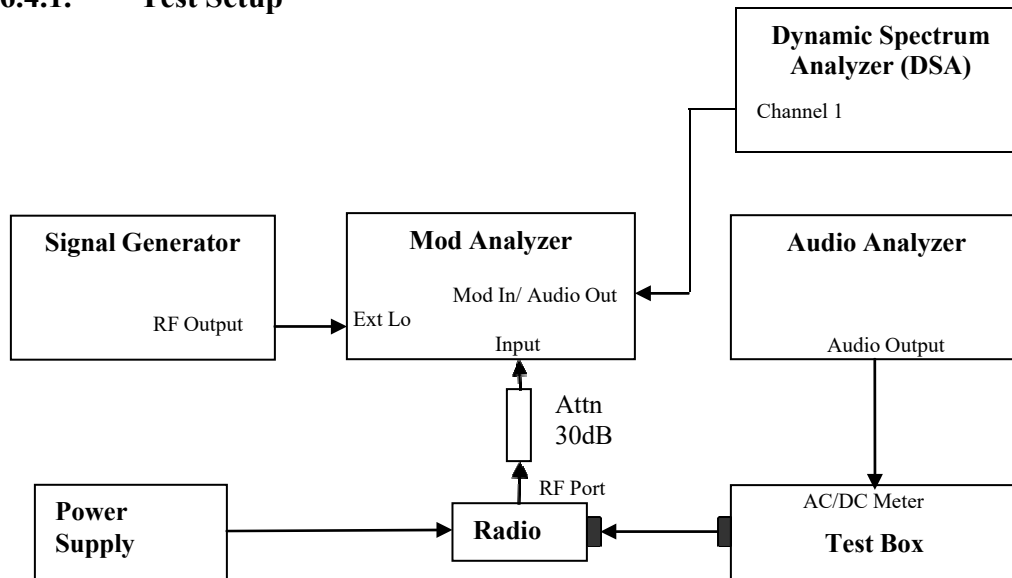


Note:

- o There are additional 6 dB per octave attenuation is allowed from 2.5KHz to 3KHz in equipment 25MHz to 869MHz radio.
- o Additional 6 dB per octave attenuation is allowed from 2.3KHz to 2.7KHz & additional 12 dB per octave attenuation is allowed from 2.7KHz to 3KHz in equipment 896MHz to 940MHz radio.

6.4. Audio Low Pass Filter Response

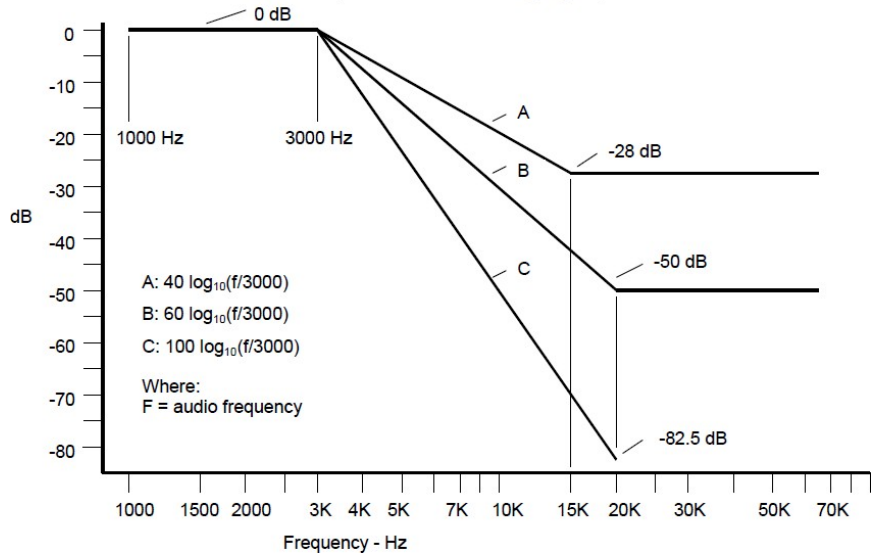
6.4.1. Test Setup



- 1) The DUT transmitter output port was connected to Modulation Analyzer.
- 2) Path loss for the measurement included.
- 3) Press 23.1SPCL on modulation analyzer to enable the external LO from Sigen.
- 4) Set the Sigen frequency to $F_c + 1.5$ MHz, RF output level to 0dBm without modulation.
- 5) Transmit the radio and set the audio analyzer to 1 kHz audio frequency and 60% of the Full rated system deviation.
- 6) Up the amplitude by 20dB.
- 7) On DSA, get the reference point to 0dB.
- 8) Vary the frequency on audio analyzer from 3 kHz to 20 kHz, record the audio tone from DSA.

6.4.2. Test Result Not Applicable

6.4.3. Test Limit



For audio frequencies above 3000 Hz, the audio response of the post limiter low-pass filter shall meet or exceed the following requirements:

- a) For equipment operating on 20, 25 or 30 kHz channel bandwidth in the 25 MHz to 174 MHz range:

At frequencies from 3000 Hz through 15,000 Hz the attenuation shall be greater than the attenuation at 1000 Hz by at least: $40 \log_{10}(f / 3000)$ dB

where: *f* is the audio frequency in Hz.

At frequencies above 15,000 Hz, the attenuation shall be greater than the attenuation at 1000 Hz, by at least: 28 dB.

- b) For equipment operating with 25 kHz bandwidth channels between 406 and 512 MHz through 896 MHz, and between 929 MHz through 930 MHz:

At frequencies from 3000 Hz through 20,000 Hz, the attenuation shall be greater than the attenuation at 1000 Hz by at least: $60 \log_{10}(f / 3000)$ dB

where: *f* is the audio frequency in Hz.

At frequencies above 20,000 Hz the attenuation shall be greater than the attenuation at 1000 Hz by at least: 50 dB.

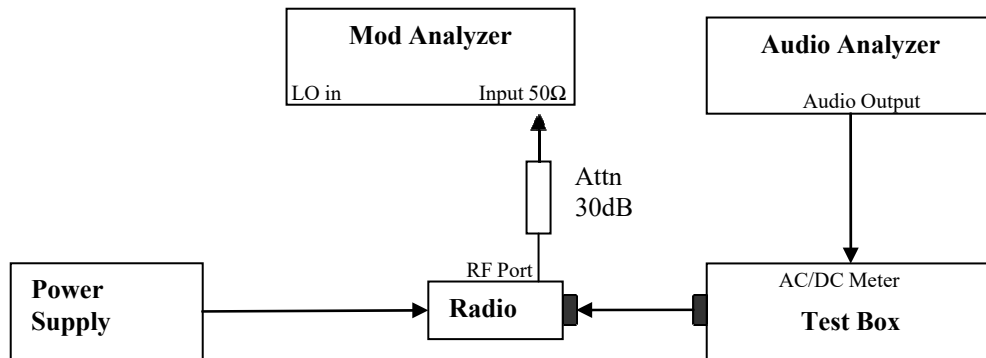
- c) For equipment operating on channels between 896 MHz through 901 MHz, between 935 MHz through 940 MHz, and 12.5 or 15 kHz spaced channels in the frequency range 138-174 MHz and 406-512 MHz.

At frequencies from 3000 Hz through 20,000 Hz the attenuation shall be greater than the attenuation at 1000 Hz by at least: $100 \log_{10}(f / 3000)$ dB

where: *f* is the audio frequency in Hz.

6.5. Modulation Limiting

6.5.1. Test Setup



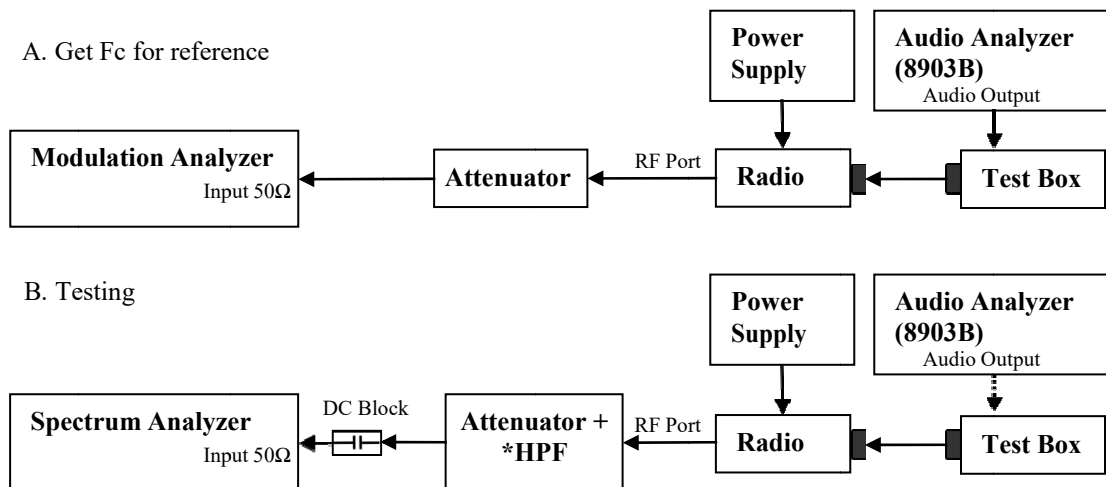
- 1) The DUT transmitter output port was connected to Modulation Analyzer.
- 2) Path loss for the measurement included.
- 3) Set the audio bandwidth filter to 15 kHz.
- 4) Transmit the radio and set the audio analyzer to 1 kHz audio frequency and 60% of the Full rated system deviation.
- 5) Record the frequency deviation as 0dB input level at 1kHz audio frequency.
- 6) Repeat the step and record the frequency deviation from -20 dB to 20dB by 5 dB increments and different audio freq 300 Hz, 2.5 kHz and 3 kHz.

6.5.2. Test Result Not Applicable

6.5.3. Test Limit Modulation Limiting shall not exceed 100 percent.

6.6. Occupied Bandwidth

6.6.1. Test Setup (Analog)



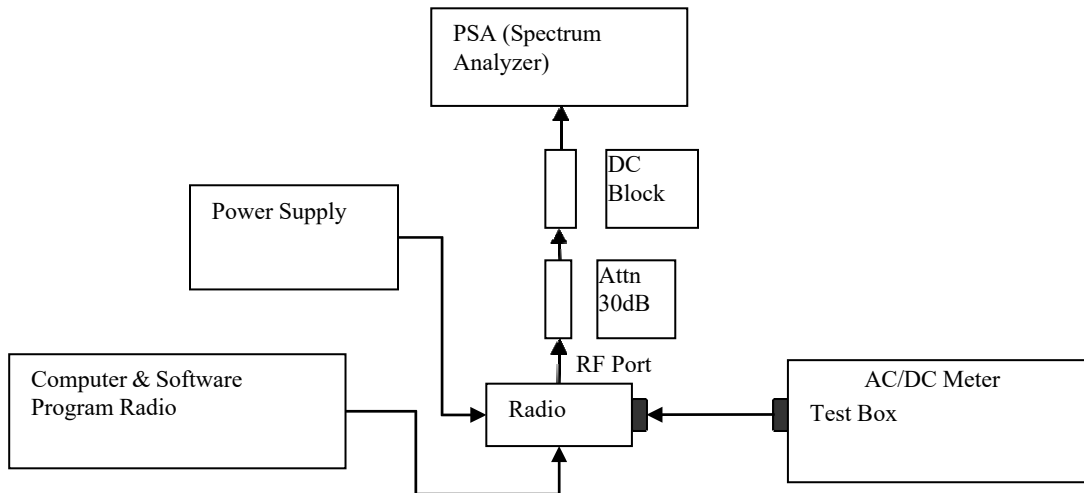
- 1) The DUT transmitter output port was connected to Modulation Analyzer.
- 2) Set the audio bandwidth filter to 15 kHz low pass filter and 50 kHz high pass filter.
- 3) Transmit the radio and set the audio analyzer to 2.5 kHz audio frequency and 50% of the rated deviation. Up the amplitude by 16 dB. Dekey the DUT.
- 4) Path loss for the measurement included.
- 5) Select the Occupied Bandwidth measurement for 99% Emissions Bandwidth Measurement.
- 6) Key in the Fc and Resolution Bandwidth (1 ~ 5 % of emission designator).
- 7) Transmit the DUT and record the occupied Bandwidth frequency.
- 8) Preset the spectrum analyzer for sideband spectrum measurement.
- 9) Set the span and Resolution Bandwidth (according to FCC/ ISED standard).
- 10) Save the screen shot as modulated signal
- 11) Remove the audio tone from audio analyzer to capture unmodulated signal.

* Only HPF added for Mask 80.211 measurement with attenuator.

* 99% Bandwidth measurement is computed by the spectrum analyzer and is consistent with the C63.26 5.4.4 method.

6.6.2. Test Result (Analog) Not Applicable

6.6.3. Test Setup (Digital)



- 1) Program and set radio to operate in desire test frequency and digital mode with modulation. (*4FSK, C4FM or other digital modulation form).
- 2) Path loss for the measurement included.
- 3) Select the Occupied Bandwidth measurement for 99% Emissions Bandwidth Measurement.
- 4) Key in the Fc and Resolution Bandwidth (1 ~ 5 % of emission designator).
- 5) Transmit the DUT and record the occupied Bandwidth frequency.
- 6) Preset the spectrum analyzer for modulation emission spectrum measurement.
- 7) Set the span and Resolution Bandwidth (according to FCC/ ISED standard).
- 8) Capture the screen shot as modulated signal.

*99% Bandwidth measurement is computed by the spectrum analyzer and is consistent with the C63.26 5.4.4 method.

*Note:

- For Digital Modulation, 12.5 kHz Data F1D & FXD would be the same. Therefore only measurements with F1D modulation shown below.
- For Digital Modulation, 12.5 kHz Data F1E & FXE would be the same. Therefore only measurements with F1E modulation shown below.

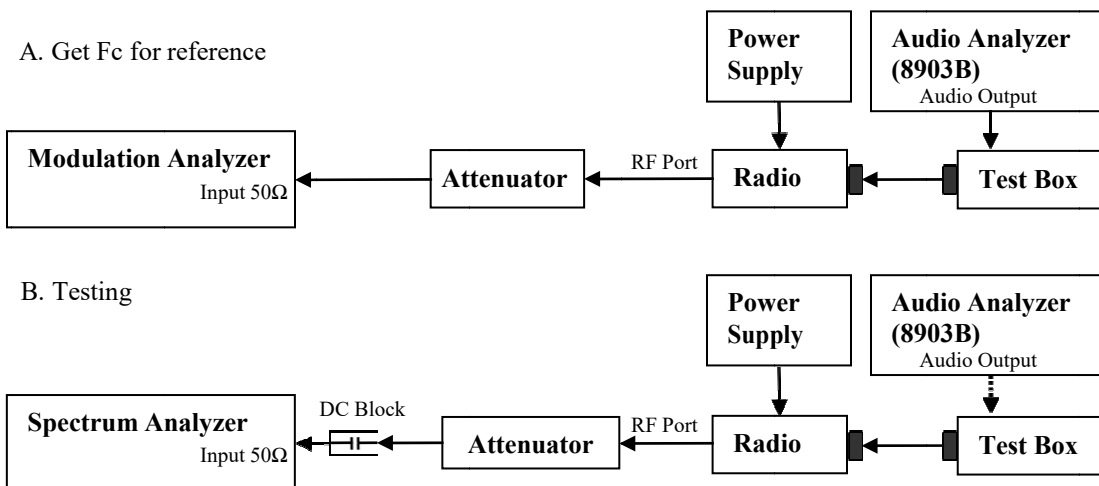
6.6.4. Test Result (Digital) Not Applicable

6.6.5. Test Limit

The 99% occupied bandwidth is the width of a frequency band such that, below the lower and above the upper frequency limits, the mean powers emitted are each equal to a specified percentage 0.5% of the total mean transmitted power.

6.7. Band Edge Conducted Spurious Emission (Part 22)

6.7.1. Test Setup (Analog)



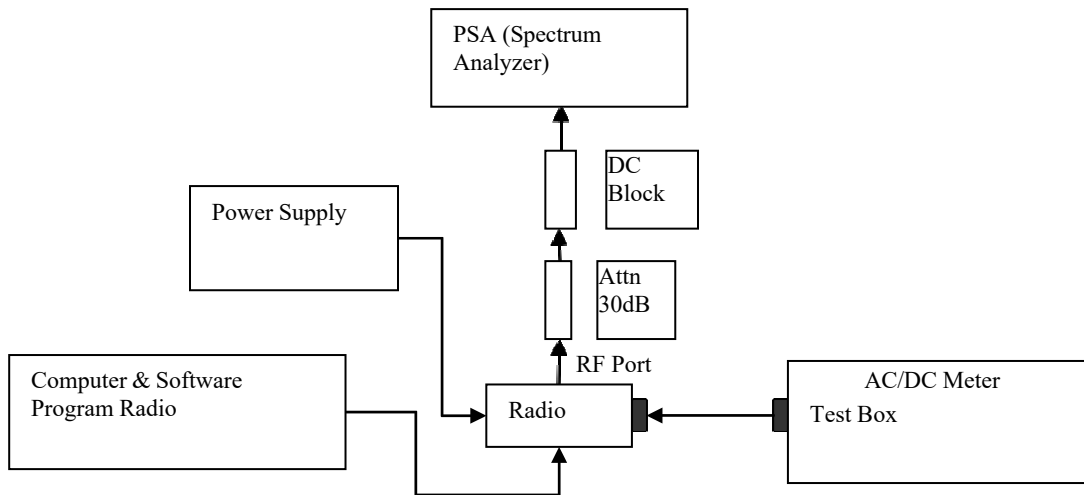
- 1) The DUT transmitter output port was connected to Modulation Analyzer.
- 2) Set the audio bandwidth filter to 15 kHz low pass filter and 50 kHz high pass filter.
- 3) Transmit the radio and set the audio analyzer to 2.5 kHz audio frequency and 50% of the rated deviation. Up the amplitude by 16 dB. Dekey the DUT.
- 4) Path loss for the measurement included.
- 5) Select the Occupied Bandwidth measurement for 99% and 26dB Emissions Bandwidth Measurement.
- 6) Key in the Fc and Resolution Bandwidth.
- 7) Transmit the DUT and record the occupied Bandwidth frequencies.
- 8) Preset the spectrum analyzer for band edge measurement.
- 9) The band edges of lowest and highest channels were measured.
- 10) Key in the Lowest and highest channel frequency, span is 60 kHz and Resolution Bandwidth is at least 1% of Emission Bandwidth.
- 11) Save the screen shot as modulated signal.
- 12) Remove the audio tone from audio analyzer to capture unmodulated signal.

*Note:

- For emission designator ending with F3E, 16K0F3E is the worst case and therefore only 16K0F3E will be shown.

6.7.2. Test Result (Analog) Not Applicable

6.7.3. Test Setup (Digital)



- 1) Program and set radio to operate in desire test frequency and digital mode with modulation. (*4FSK, C4FM or other digital modulation form).
- 2) Path loss for the measurement included.
- 3) Select the Occupied Bandwidth measurement for 99% and 26dB Emissions Bandwidth Measurement.
- 4) Key in the Fc and Resolution Bandwidth.
- 5) Transmit radio record the occupied Bandwidth frequencies.
- 6) Preset the spectrum analyzer for band edge measurement.
- 7) Key in the lowest and highest channels frequency, span is 60 kHz and Resolution Bandwidth is at least 1% of Emission Bandwidth.
- 8) Save the screen shot.

*Note:

- For Digital Modulation, 12.5 kHz Data F1D & FXD would be the same. Therefore only measurements with F1D modulation shown below.
- For Digital Modulation, 12.5 kHz Data F1E & FXE would be the same. Therefore only measurements with F1E modulation shown below.

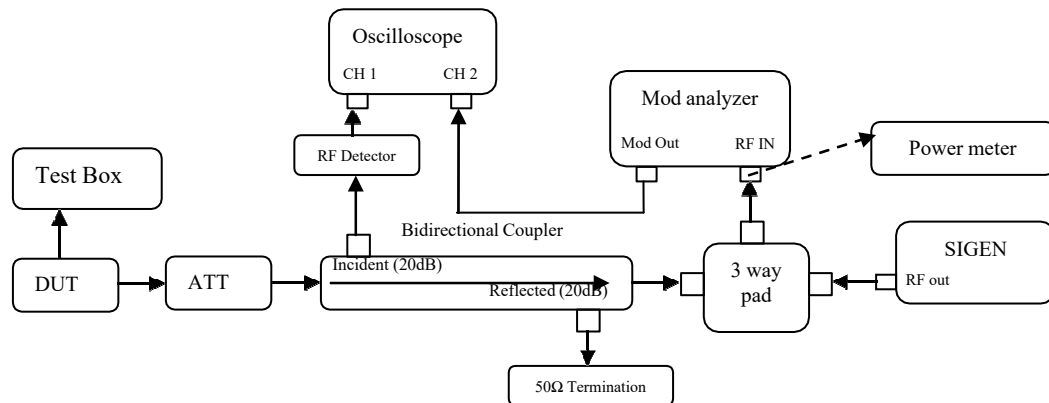
6.7.4. Test Result (Digital) Not Applicable

6.7.5. Test Limit

The power of any emission outside of the authorized operating frequency ranges must be attenuated below the transmitting power (P) by a factor of at least $43 + 10 \log(P)$ dB.

6.8. Transient Frequency Behavior

6.8.1. Test Setup



- 1) Connect the setup as figure above.
- 2) Path loss for the measurement included.
- 3) Set on Siggen with the assigned center frequency, internal 1 kHz FM tone.
FM Deviation: Analog 25kHz Channel Spacing = 25 kHz
Analog 12.5 kHz Channel Spacing = 12.5 kHz
C4FM = 12.5 kHz
- 4) Turn on 50 kHz high pass filter and 15 kHz low pass filter on modulation analyzer.
- 5) Supply sufficient attenuation ATT to provide the output power of ≤ -11 dBm into power meter when DUT is keying up.
- 6) Note the power level on power meter and dekey the DUT.
- 7) Adjust the amplitude of the signal generator to the level power meter, maintained the amplitude throughout the rest of the measurement.
- 8) Connect the output to modulation analyzer.
- 9) Reduce 30dB attenuation and transmit the radio to get the trigger line.
- 10) Capture the screen shot for key-up (rising edge) and de-key (falling edge) mode.

6.8.2. Test Result Not Applicable

6.8.3. Test Limit

Transmitters designed to operate in the 150-174 MHz and 421-512 MHz frequency bands must maintain transient frequencies within the maximum frequency difference limits during the time intervals indicated:

Time intervals ^{1 2}	Maximum frequency difference ³	All equipment	
		150 to 174 MHz	421 to 512 MHz
Transient Frequency Behavior for Equipment Designed to Operate on 25 kHz Channels			
t ₁ ⁴	±25.0 kHz	5.0 ms	10.0 ms
t ₂	±12.5 kHz	20.0 ms	25.0 ms
t ₃ ⁴	±25.0 kHz	5.0 ms	10.0 ms
Transient Frequency Behavior for Equipment Designed to Operate on 12.5 kHz Channels			
t ₁ ⁴	±12.5 kHz	5.0 ms	10.0 ms
t ₂	±6.25 kHz	20.0 ms	25.0 ms
t ₃ ⁴	±12.5 kHz	5.0 ms	10.0 ms
Transient Frequency Behavior for Equipment Designed to Operate on 6.25 kHz Channels			
t ₁ ⁴	±6.25 kHz	5.0 ms	10.0 ms
t ₂	±3.125 kHz	20.0 ms	25.0 ms
t ₃ ⁴	±6.25 kHz	5.0 ms	10.0 ms

¹ t_{on} is the instant when a 1 kHz test signal is completely suppressed, including any capture time due to phasing.

t₁ is the time period immediately following t_{on}.

t₂ is the time period immediately following t₁.

t₃ is the time period from the instant when the transmitter is turned off until t_{off}.

t_{off} is the instant when the 1 kHz test signal starts to rise.

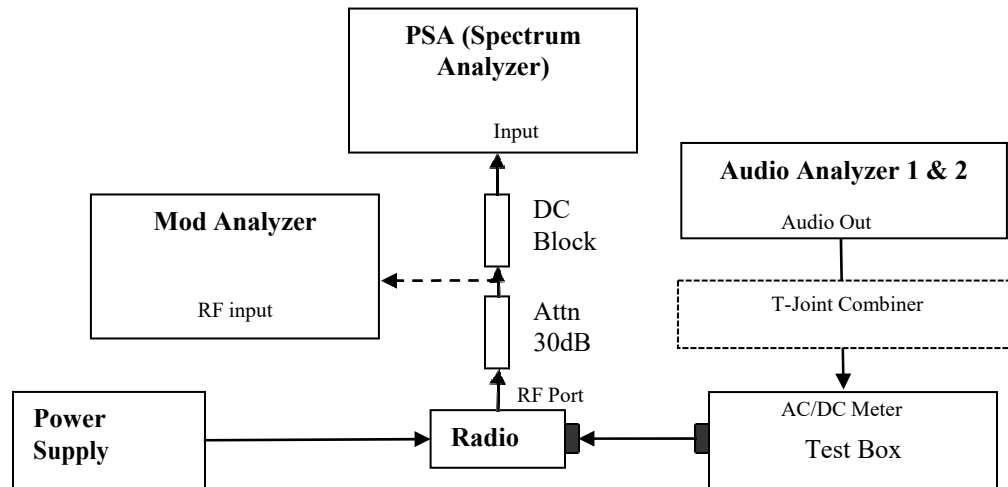
² During the time from the end of t₂ to the beginning of t₃, the frequency difference must not exceed the limits specified in §90.213.

³ Difference between the actual transmitter frequency and the assigned transmitter frequency.

⁴ If the transmitter carrier output power rating is 6 watts or less, the frequency difference during this time period may exceed the maximum frequency difference for this time period.

6.9. Adjacent Channel Power

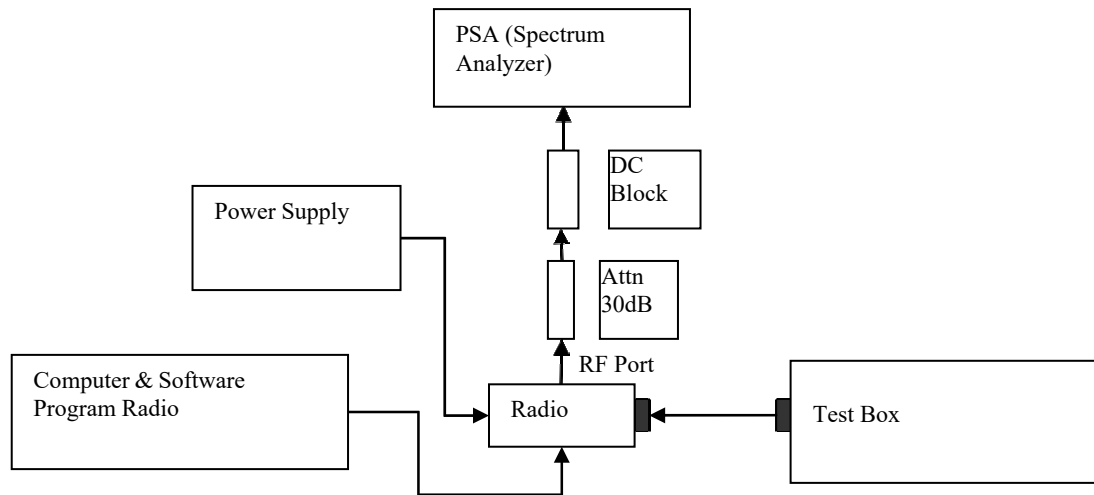
6.9.1. Test Setup (Analog)



- 1) The DUT transmitter output port was connected to modulation analyzer.
- 2) Transmit the radio and turn on 1st audio analyzer with audio frequency 650Hz, 50% rated deviation, and record the amplitude value as AmpT1.
- 3) Turn off Audio analyzer 1 and turn on audio analyzer 2, set the audio frequency to 2.2 kHz and 50% deviation. Record the amplitude as AmpT2.
- 4) Turn both audio analyzers ON and up 10dB amplitude level.
- 5) Connect the output to PSA and set to assigned center frequency.
- 6) Set Span, Resolution Bandwidth and Video Bandwidth per rules part.
- 7) Transmit the radio and record the Adjacent Channel Power value in dBc.

6.9.2. Test Result Not Applicable

6.9.3. Test Setup (Digital)



- 1) Program and set radio to operate in desire test frequency and digital mode with modulation. (4FSK, C4FM or other digital modulation form).
- 2) Prepare setup as per picture.
- 3) Turn on the ACP Measurement – Press Measure, ACP.
- 4) Set Span, Resolution Bandwidth and Video Bandwidth as per rules part.
- 5) Transmit the radio and record the Adjacent Channel Power value in dBc.

6.9.4. Test Result Not Applicable

6.9.5. Test Limit

12.5 kHz MOBILE TRANSMITTER ACP REQUIREMENTS

Offset from center frequency (kHz)	Measurement bandwidth (kHz)	Maximum ACP relative (dBc)
9.375	6.25	-40
15.625	6.25	-60
21.875	6.25	-60
37.50	25.00	-60
62.50	25.00	-65
87.50	25.00	-65
150.00	100	-65
250.00	100	-65
350.00	100	-65
>400 to 12 MHz	30 (s)	-75
12 MHz to paired receive band	30 (s)	-75
In the paired receive band	30 (s)	-100

25 kHz MOBILE TRANSMITTER ACP REQUIREMENTS

Offset from center frequency (kHz)	Measurement bandwidth (kHz)	Maximum ACP relative (dBc)
15.625	6.25	-40
21.875	6.25	-60
37.50	25	-60
62.50	25	-65
87.50	25	-65
150.00	100	-65
250.00	100	-65
350.00	100	-65
>400 kHz to 12 MHz	30 (s)	-75
12 MHz to paired receive band	30 (s)	-75
In the paired receive band	30 (s)	-100

12.5 kHz BASE TRANSMITTER ACP REQUIREMENTS

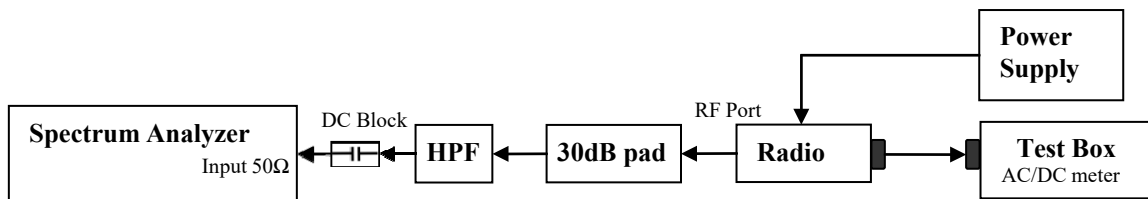
Offset from center frequency (kHz)	Measurement bandwidth (kHz)	Maximum ACP (dBc)
9.375	6.25	-40
15.625	6.25	-60
21.875	6.25	-60
37.5	25	-60
62.5	25	-65
87.5	25	-65
150	100	-65
250	100	-65
350.00	100	-65
>400 kHz to 12 MHz	30 (s)	-80
12 MHz to paired receive band	30 (s)	-80
In the paired receive band	30 (s)	¹ -85

25 kHz BASE TRANSMITTER ACP REQUIREMENTS

Offset from center frequency (kHz)	Measurement bandwidth (kHz)	Maximum ACP (dBc)
15.625	6.25	-40
21.875	6.25	-60
37.5	25	-60
62.5	25	-65
87.5	25	-65
150	100	-65
250	100	-65
350	100.00	-65
>400 kHz to 12 MHz	30 (s)	-80
12 MHz to paired receive band	30 (s)	-80
In the paired receive band	30 (s)	¹ -85

6.10. Conducted Spurious Emission

6.10.1. Test Setup



- 1) The DUT transmitter output port was connected to Spectrum Analyzer with above setup.
- 2) Program and set radio to operate in desire test frequency and mode. (Analog / digital modulation form).
- 3) Path loss for the measurement included.
- 4) Set the PSA Resolution Bandwidth as per rules part.
- 5) Set the Ref offset from the pathloss offset calibration file.
- 6) Adjust the center frequency of the spectrum analyzer for incremental coverage of the range from:
 - a. 9 KHz to $F_c - \text{Test Bandwidth}$
 - b. $F_c + \text{Test Bandwidth}$ to $2F_c - 5\text{MHz}$.
- 7) Key up the DUT, Peak Search the highest Spur and record the levels of spurious emissions
- 8) Dekey the DUT.
- 9) Turn On High Pass Filter path and Key up the DUT.
- 10) Adjust the PSA Freq for incremental coverage of range from $2F_c$ to $10F_c$
- 11) Key up the DUT and record the highest spur levels of spurious emissions.

**6.10.2. Test Result (Analog)
 Not Applicable**

**6.10.3. Test Result (Digital)
 Not Applicable**

6.10.4. Test Limit

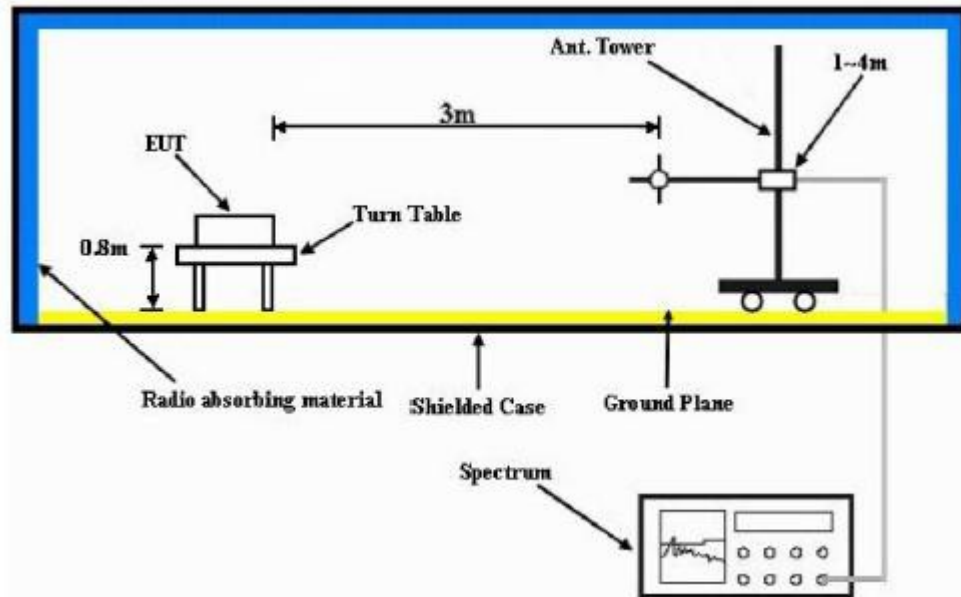
Table below summarized the power of any emission outside a licensee's frequency block shall be attenuated below the transmitter power (P) by at least

Channel Spacing	Part 22	Part 24D	Part 74	Part 80	Part 90 (UHF, VHF, 800, 900)	Part 90 (700)
12.5kHz	43 + log ₁₀ (P) (-13 dBm)	43 + log ₁₀ (P) (-13 dBm)	43 + log ₁₀ (P) (-13 dBm)	Not Applicable	50 + log ₁₀ (P) (-20 dBm)	43 + log ₁₀ (P) (-13 dBm)
25kHz		Not Applicable		43 + log ₁₀ (P) (-13 dBm)	43 + log ₁₀ (P) (-13 dBm)	43 + log ₁₀ (P) (-13 dBm)

Channel Spacing	RSS 134	RSS 182	RSS 119 (UHF, VHF, 800, 900)	RSS 119 (700)
12.5kHz	43 + log ₁₀ (P) (-13 dBm)	Not Applicable	50 + log ₁₀ (P) (-20 dBm)	43 + log ₁₀ (P) (-13 dBm)
25kHz	Not Applicable	43 + log ₁₀ (P) (-13 dBm)	43 + log ₁₀ (P) (-13 dBm)	43 + log ₁₀ (P) (-13 dBm)

6.11. Radiated Spurious Emission

6.11.1. Test Setup



- 1) The Resolution Bandwidth for scanning Radiated Emission below 1 GHz is 100 kHz with Video Bandwidth = 300 kHz and Resolution Bandwidth for above 1 GHz is 1 MHz with Video Bandwidth = 3 MHz. Detector mode is positive peak.
- 2) In the semi- anechoic chamber, setup as illustrated above the DUT placed on the 0.8m height (for $F_c < 1\text{GHz}$) or 1.5m height (for $F_c > 1\text{GHz}$) of Turn Table, rotated the table around 360 degrees to search the maximum radiation power and receiver antenna shall be rotated vertical and horizontal polarization and moved height from 1m to 4m to find the maximum polar radiated power. The "Read Value" is the spectrum reading the maximum power value.
- 3) The substitution antenna is substituted for DUT at the same position and signals generator (S.G) export the CW signal to the substitution antenna via a TX cable. The receiver antenna shall be rotated vertical and horizontal polarization and moved height from 1m to 4m to find the maximum radiation power. Record the power level of maximum radiation power from spectrum. So, the measured substitution value = Ref level of S.G + TX cables loss – Substituted Antenna Gain.
- 4) Final Radiated Spurious Emission = "Read Value" + Measured substitution value.

6.11.2. Test Result (Analog)

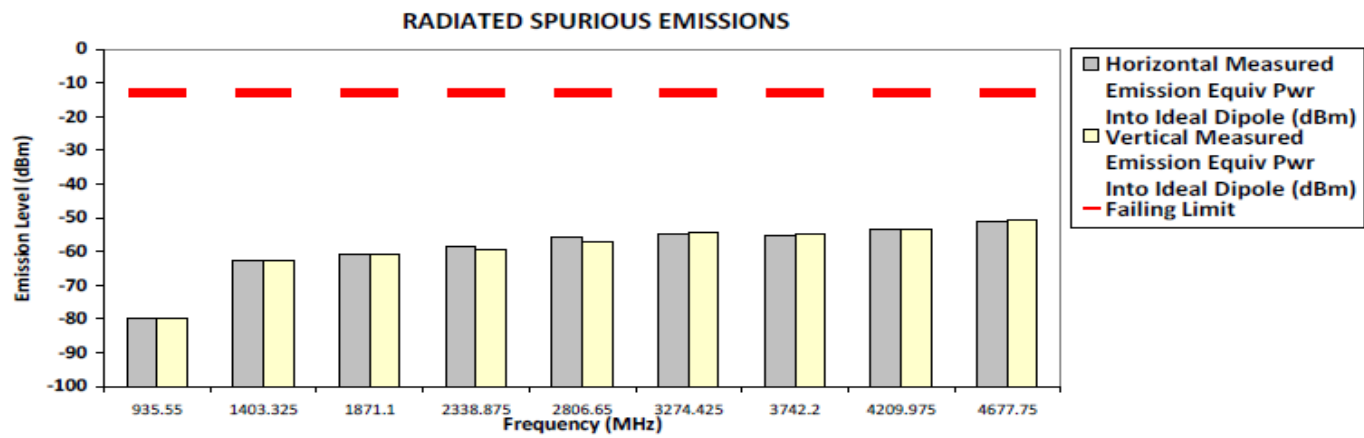
Motorola Solutions.

FCC ID: AZ489FT4970
 IC ID: 109U-89FT4970

SAC Transmitter Radiated Emission:

Model Number: AAH56RDN9WA1AN-1 S/N: 871TXTD076 SR:31442-EMC-00003
 Battery Part No: PMNN4489B Accy Part No: NA
 Test Mode: TX Analog
 467.775000 MHz 25 kHz 4.800 Watt(s) /Max Power

Frequency (MHz)	Limit	Horizontal Measured Emission Equiv Pwr Into Ideal Dipole (dBm)	Vertical Measured Emission Equiv Pwr Into ideal Dipole (dBm)
935.5500	-13.0000	-80.0276 **	-79.8333 **
1403.3250	-13.0000	-62.8465 **	-62.8941 **
1871.1000	-13.0000	-60.7683 **	-60.8699 **
2338.8750	-13.0000	-58.6960 **	-59.3635 **
2806.6500	-13.0000	-55.8372 **	-56.9245 **
3274.4250	-13.0000	-54.6095 **	-54.3599 **
3742.2000	-13.0000	-55.4959 **	-54.8850 **
4209.9750	-13.0000	-53.4869 **	-53.3050 **
4677.7500	-13.0000	-51.0132 **	-50.8803 **



The data presented here was taken using the substitution method as found in the ANSI C63.26-2015 document.
 Motorola Penang EMC Lab - Test Performed by: Nazirul Wed, 13 Oct, 2021

Remarks: ** Indicates the spurious emission could not be detected due to noise limitations or ambient.
 *Pursuant to CFR 47 Part 2.1057 (c), emissions attenuated more than 20 dB below the permissible limit are not reported
 Temp(Deg): 23.2 Hum(%RH): 69.8

System MU: 4.03 dB

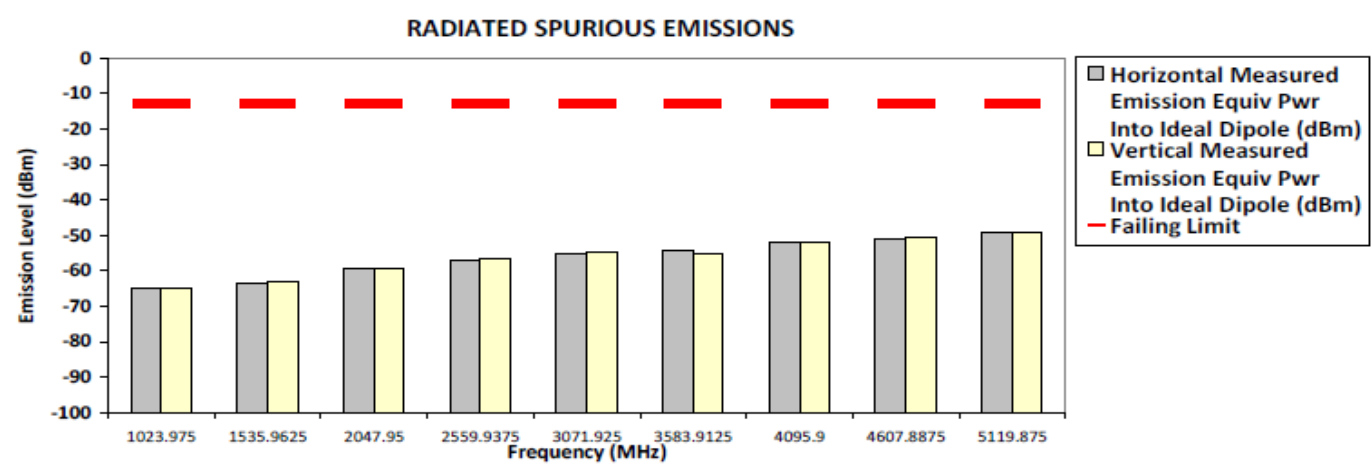
Remarks:

Passed Results	Marginal Results	Failed Results
----------------	------------------	----------------

Motorola Solutions.

SAC Transmitter Radiated Emission:
Model Number: AAH56RDN9WA1AN-1 **S/N: 871TXTD076** **SR:31442-EMC-00003**
Battery Part No: PMNN4489B **Accy Part No: NA**
511.987500 MHz **Test Mode: TX Analog** **4.800 Watt(s) /Max Power**
25 kHz

Frequency (MHz)	Limit	Horizontal Measured Emission Equip Pwr Into Ideal Dipole (dBm)	Vertical Measured Emission Equip Pwr Into ideal Dipole (dBm)
1023.9750	-13.0000	-64.9776 **	-65.0742 **
1535.9625	-13.0000	-63.5628 **	-63.2695 **
2047.9500	-13.0000	-59.3673 **	-59.2068 **
2559.9375	-13.0000	-57.1976 **	-56.6566 **
3071.9250	-13.0000	-55.4021 **	-54.9354 **
3583.9125	-13.0000	-54.1209 **	-55.3923 **
4095.9000	-13.0000	-51.8071 **	-51.7925 **
4607.8875	-13.0000	-50.9855 **	-50.4020 **
5119.8750	-13.0000	-49.3112 **	-49.0008 **



The data presented here was taken using the substitution method as found in the ANSI C63.26-2015 document.
 Motorola Penang EMC Lab - Test Performed by: Azil&Abid Thu, 7 Oct, 2021

Remarks: ** Indicates the spurious emission could not be detected due to noise limitations or ambient.
 *Pursuant to CFR 47 Part 2.1057 (c), emissions attenuated more than 20 dB below the permissible limit are not reported
 Temp(Deg): 23.2 Hum(%RH): 69.8

System MU: 4.03 dB

Remarks: Passed Results Marginal Results Failed Results

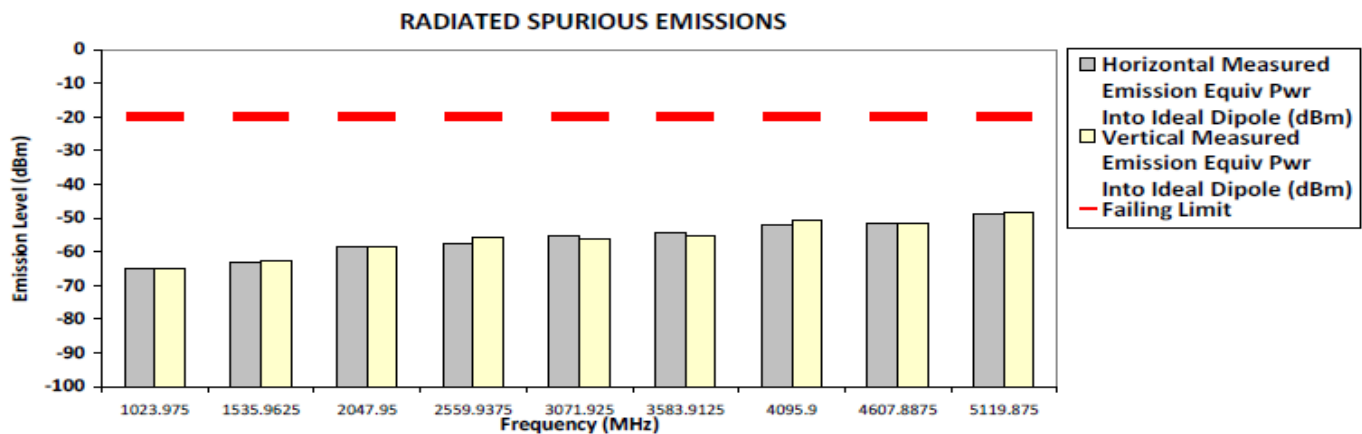
6.11.3. Test Result (Digital)

FCC ID: AZ489FT4970
IC ID: 109U-89FT4970

Motorola Solutions.

SAC Transmitter Radiated Emission:
Model Number: AAH56RDN9WA1AN-1 S/N: 871TXTD076 SR:31442-EMC-00003
Battery Part No: PMNN4489B Accy Part No: NA
Test Mode: TX Digital
511.987500 MHz 12.5 kHz 4.800 Watt(s) /Max Power

Frequency (MHz)	Limit	Horizontal Measured Emission Equiv Pwr Into Ideal Dipole (dBm)	Vertical Measured Emission Equiv Pwr Into ideal Dipole (dBm)
1023.9750	-20.0000	-65.0575 **	-64.6797 **
1535.9625	-20.0000	-63.2199 **	-62.8169 **
2047.9500	-20.0000	-58.4591 **	-58.4259 **
2559.9375	-20.0000	-57.5764 **	-55.8418 **
3071.9250	-20.0000	-55.1765 **	-56.2120 **
3583.9125	-20.0000	-54.1958 **	-55.0476 **
4095.9000	-20.0000	-51.9331 **	-50.8269 **
4607.8875	-20.0000	-51.3914 **	-51.4608 **
5119.8750	-20.0000	-48.7424 **	-48.2104 **



The data presented here was taken using the substitution method as found in the ANSI C63.26-2015 document.
Motorola Penang EMC Lab - Test Performed by: Azil&Abid Thu, 7 Oct, 2021

Remarks: ** Indicates the spurious emission could not be detected due to noise limitations or ambient.
*Pursuant to CFR 47 Part 2.1057 (c), emissions attenuated more than 20 dB below the permissible limit are not reported
Temp(Deg): 23.2 Hum(%RH): 69.8

System MU: 4.03 dB

Remarks:

Passed Results	Marginal Results	Failed Results
----------------	------------------	----------------

6.11.4. Test Limit

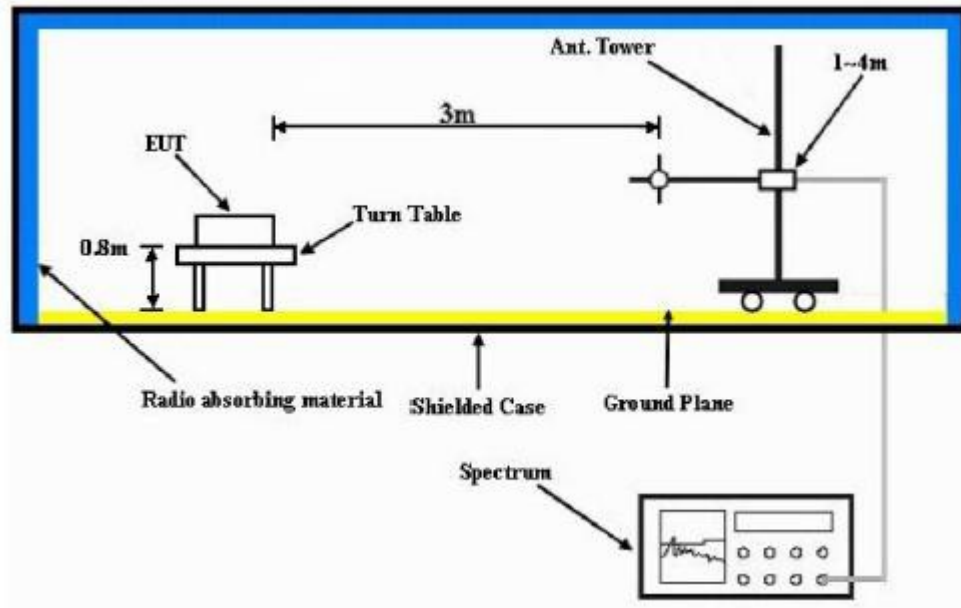
Table below summarized the power of any emission outside a licensee's frequency block shall be attenuated below the transmitter power (P) by at least

Channel Spacing	Part 22	Part 24D	Part 74	Part 80	Part 90 (UHF, VHF, 800, 900)	Part 90 (700)
12.5kHz	43 + log ₁₀ (P) (-13 dBm)	43 + log ₁₀ (P) (-13 dBm)	43 + log ₁₀ (P) (-13 dBm)	Not Applicable	50 + log ₁₀ (P) (-20 dBm)	43 + log ₁₀ (P) (-13 dBm)
25kHz		Not Applicable		43 + log ₁₀ (P) (-13 dBm)	43 + log ₁₀ (P) (-13 dBm)	

Channel Spacing	RSS 134	RSS 182	RSS 119 (UHF, VHF, 800, 900)	RSS 119 (700)
12.5kHz	43 + log ₁₀ (P) (-13 dBm)	Not Applicable	50 + log ₁₀ (P) (-20 dBm)	43 + log ₁₀ (P) (-13 dBm)
25kHz	Not Applicable	43 + log ₁₀ (P) (-13 dBm)	43 + log ₁₀ (P) (-13 dBm)	43 + log ₁₀ (P) (-13 dBm)

6.12. Effective Radiated Power (ERP)

6.12.1. Test Setup



- 1) The Resolution Bandwidth for Equivalent Radiated Power (ERP) below 1 GHz is 100 kHz with Video Bandwidth = 300 kHz and Resolution Bandwidth for EIRP above 1 GHz is 1 MHz with Video Bandwidth = 3 MHz. Detector Mode is RMS.
- 2) In the semi-anechoic chamber, setup as illustrated above the DUT placed on the 0.8m height (for $f_c < 1\text{GHz}$) or 1.5m (for $f_c > 1\text{GHz}$) of Turn Table, rotated the table 45 degree each interval to search the maximum radiation power and receiver antenna shall be rotated vertical and horizontal polarization and moved height from 1m to 4m to find the maximum polar radiated power for each degree interval. The “Read Value” is the spectrum reading of maximum power value.
- 3) The substitution antenna is substituted for DUT at the same position and signals generator (S.G) export the CW signal to the substitution antenna via a TX cable. The receiver antenna shall be rotated vertical and horizontal polarization and moved height from 1m to 4m to find the maximum radiation power. Record the power level of maximum radiation power from spectrum. So, the Measured substitution value = Ref level of S.G + TX cables loss – Substituted Antenna Gain.

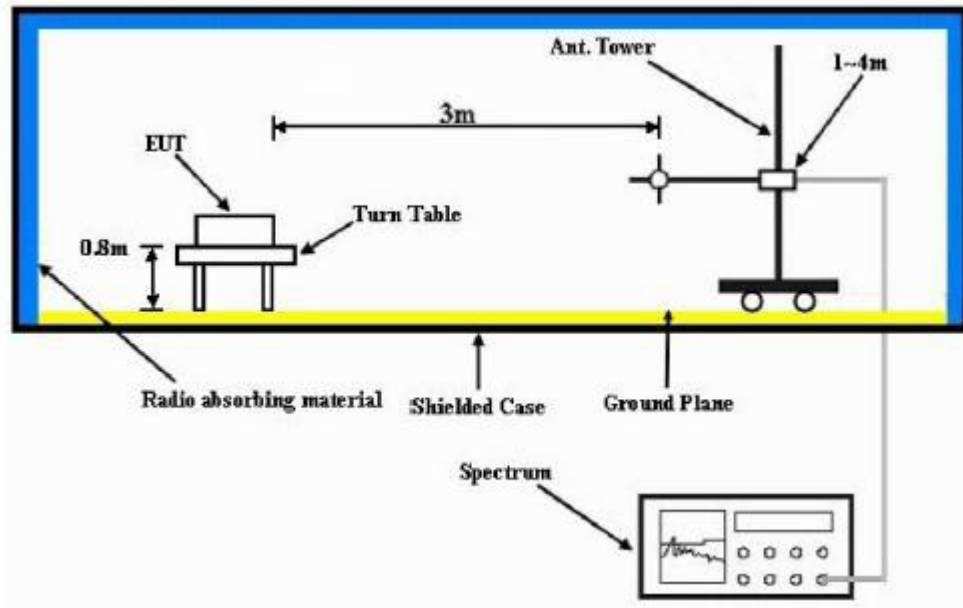
6.12.2. Test Result Not Applicable

6.12.3. Test Limit

The maximum output power of the transmitter for mobile stations is 100 watts (20 dB). Power is given in terms of effective radiated power (ERP).

6.13. GNSS (EIRP for 1559 - 1610MHz)

6.13.1. Test Setup



- 4) The Resolution Bandwidth for Equivalent Isotropically Radiated Power (EIRP) below 1 GHz is 100 kHz with Video Bandwidth = 300 kHz and Resolution Bandwidth for EIRP above 1 GHz is 1 MHz with Video Bandwidth = 3 MHz. Detector Mode is RMS.
- 5) In the semi-anechoic chamber, setup as illustrated above the DUT placed on the 0.8m height of Turn Table, rotated the table 45 degree each interval to search the maximum radiation power and receiver antenna shall be rotated vertical and horizontal polarization and moved height from 1m to 4m to find the maximum polar radiated power for each degree interval. The “Read Value” is the spectrum reading of maximum power value.
- 6) The substitution antenna is substituted for DUT at the same position and signals generator (S.G) export the CW signal to the substitution antenna via a TX cable. The receiver antenna shall be rotated vertical and horizontal polarization and moved height from 1m to 4m to find the maximum radiation power. Record the power level of maximum radiation power from spectrum. So, the Measured substitution value = Ref level of S.G + TX cables loss – Substituted Antenna Gain.
- 7) $EIRP = \text{“Read Value”} + \text{Measured substitution value} + 2.15$.

6.13.1. Test Result Not Applicable

6.13.2. Test Limit

For operations in the 758-775 MHz and 788-805 MHz bands, all emissions including harmonics in the band 1559-1610 MHz shall be limited to -70 dBW/MHz equivalent isotropically radiated power (EIRP) for wideband signals, and -80 dBW EIRP for discrete emissions of less than 700 Hz bandwidth.

~ End of Test Report ~