

	    <p>CERTIFICATE 2518.08</p> <p>MS ISO/IEC 17025 TESTING SAMM NO. 0825</p>																																	
<p>MOTOROLA PENANG ADV. COMM. LABORATORY Motorola Solutions Malaysia SDN BHD, Plot 2A, Medan Bayan Lepas, Mukim 12 S.W.D, 11900 Bayan Lepas, Penang, Malaysia.</p>	<p>FCC/ISED TEST REPORT Report Revision : Rev.A</p>																																	
<table border="0"> <tr> <td>Date/s Tested</td> <td>: 28-SEP-2021 - 04-OCT-2021</td> <td rowspan="14" style="text-align: center; vertical-align: middle;">  </td> </tr> <tr> <td>Report Issue Date</td> <td>: 21-NOV-2021</td> </tr> <tr> <td>Manufacturer</td> <td>: Motorola Solutions Malaysia SDN BHD</td> </tr> <tr> <td>Manufacturer Address</td> <td>: Plot 2A, Medan Bayan Lepas, Mukim 12 SWD, 11900 Bayan Lepas, Penang, Malaysia</td> </tr> <tr> <td>Requestor</td> <td>: SONG WEI HOW</td> </tr> <tr> <td>Product Type</td> <td>: Hand-held</td> </tr> <tr> <td>Product Version (PMN)</td> <td>: CP200d</td> </tr> <tr> <td>Model Number (HVIN)</td> <td>: AAH01QDC9JA2AN (IC MODEL: PMUE4147CAANAA)</td> </tr> <tr> <td>Frequency Band</td> <td>: 403-470MHz</td> </tr> <tr> <td>Max RF Output Power</td> <td>: 4.8 Watts</td> </tr> <tr> <td>Applicant Name</td> <td>: Motorola Solutions Inc</td> </tr> <tr> <td>Applicant Address</td> <td>: 8000 West Sunrise Boulevard, Fort Lauderdale, Florida 33322</td> </tr> <tr> <td>ISED Registrations</td> <td>: MY0001</td> </tr> <tr> <td>FCC Registrations</td> <td>: 461337</td> </tr> <tr> <td>Firmware Version (FVIN)</td> <td>: R01.21.03.0001</td> </tr> </table> <p>The equipment was tested accordance to the requirement listed below:</p> <table border="0" style="width: 100%;"> <tr> <td style="width: 60%;"> (LMR) FCC 47 CFR Part 2/ 22 / 90 ISED RSS- Gen Issue 5 / 119 Issue 12 </td> <td style="text-align: center; vertical-align: middle; width: 40%;"> PASS </td> </tr> </table>		Date/s Tested	: 28-SEP-2021 - 04-OCT-2021		Report Issue Date	: 21-NOV-2021	Manufacturer	: Motorola Solutions Malaysia SDN BHD	Manufacturer Address	: Plot 2A, Medan Bayan Lepas, Mukim 12 SWD, 11900 Bayan Lepas, Penang, Malaysia	Requestor	: SONG WEI HOW	Product Type	: Hand-held	Product Version (PMN)	: CP200d	Model Number (HVIN)	: AAH01QDC9JA2AN (IC MODEL: PMUE4147CAANAA)	Frequency Band	: 403-470MHz	Max RF Output Power	: 4.8 Watts	Applicant Name	: Motorola Solutions Inc	Applicant Address	: 8000 West Sunrise Boulevard, Fort Lauderdale, Florida 33322	ISED Registrations	: MY0001	FCC Registrations	: 461337	Firmware Version (FVIN)	: R01.21.03.0001	(LMR) FCC 47 CFR Part 2/ 22 / 90 ISED RSS- Gen Issue 5 / 119 Issue 12	PASS
Date/s Tested	: 28-SEP-2021 - 04-OCT-2021																																	
Report Issue Date	: 21-NOV-2021																																	
Manufacturer	: Motorola Solutions Malaysia SDN BHD																																	
Manufacturer Address	: Plot 2A, Medan Bayan Lepas, Mukim 12 SWD, 11900 Bayan Lepas, Penang, Malaysia																																	
Requestor	: SONG WEI HOW																																	
Product Type	: Hand-held																																	
Product Version (PMN)	: CP200d																																	
Model Number (HVIN)	: AAH01QDC9JA2AN (IC MODEL: PMUE4147CAANAA)																																	
Frequency Band	: 403-470MHz																																	
Max RF Output Power	: 4.8 Watts																																	
Applicant Name	: Motorola Solutions Inc																																	
Applicant Address	: 8000 West Sunrise Boulevard, Fort Lauderdale, Florida 33322																																	
ISED Registrations	: MY0001																																	
FCC Registrations	: 461337																																	
Firmware Version (FVIN)	: R01.21.03.0001																																	
(LMR) FCC 47 CFR Part 2/ 22 / 90 ISED RSS- Gen Issue 5 / 119 Issue 12	PASS																																	
<p>This report shall not be reproduced without written approval from an officially designated representative of the Motorola Penang Adv. Comm. Laboratory. The results and statements contained in this report pertain only to the device(s) evaluated.</p>																																		
<p>Prepared By:</p>  <p>Putri Nur Sarah Sofia Test Personnel</p>	<p>Approved Signatory:</p>  <p>Soon Oi May Responsible Engineer</p>																																	

Table of Contents

Report Revision History	3
1.0 General Information.....	4
2.0 Summary of Test Results.....	5
3.0 Measurement Uncertainty.....	6
4.0 Equipment List.....	7
5.0 Test Condition.....	10
5.1. Transmitter Test Conditions	10
6.0 Transmitter Test Parameters	11
6.1. RF Output Power	11
6.1.1. Test Setup.....	11
6.1.2. Test Result	11
6.2. Frequency Stability	12
6.2.1. Test Setup.....	12
6.2.2. Test Result	13
6.2.3. Test Limit.....	14
6.3. Modulation Characteristics	15
6.3.1. Test Setup.....	15
6.3.2. Test Result	16
6.3.3. Test Limit.....	17
6.4. Modulation Limiting.....	19
6.4.1. Test Setup.....	19
6.4.2. Test Result	20
6.4.3. Test Limit.....	21
6.5. Occupied Bandwidth.....	22
6.5.1. Test Setup (Analog)	22
6.5.2. Test Result (Analog).....	23
6.5.3. Test Setup (Digital).....	27
6.5.4. Test Result (Digital).....	31
6.5.5. Test Limit.....	39
6.6. Band Edge Conducted Spurious Emission (Part 22)	40
6.6.1. Test Setup (Analog)	40
6.6.2. Test Result (Analog).....	41
6.6.3. Test Setup (Digital).....	42
6.6.4. Test Result (Digital).....	43
6.6.5. Test Limit.....	43
6.7. Transient Frequency Behavior.....	44
6.7.1. Test Setup.....	44
6.7.2. Test Result	45
6.7.3. Test Limit.....	46
6.8. Adjacent Channel Power.....	48
6.8.1. Test Setup (Analog)	48
6.8.2. Test Result	48
6.8.3. Test Setup (Digital).....	49

6.8.4. Test Result 49
 6.8.5. Test Limit..... 50
 6.9. Conducted Spurious Emission 52
 6.9.1. Test Setup..... 52
 6.9.2. Test Result (Analog)..... 53
 6.9.3. Test Result (Digital)..... 61
 6.9.4. Test Limit..... 68
 6.10. Radiated Spurious Emission 69
 6.10.1. Test Setup..... 69
 6.10.2. Test Result (Analog)..... 70
 6.10.3. Test Result (Digital)..... 78
 6.10.4. Test Limit..... 85
 6.11. Effective Radiated Power (ERP) 86
 6.11.1. Test Setup..... 86
 6.11.2. Test Result 86
 6.11.3. Test Limit..... 86
 6.12. GNSS (EIRP for 1559 - 1610MHz)..... 87
 6.12.1. Test Setup..... 87
 6.12.1. Test Result 87
 6.12.2. Test Limit..... 87

Report Revision History

Revision History	Description	Date	Originator
Rev. A	Initial Report	05-Oct-2021	Putri Sarah

1.0 General Information

EUT Description:

Technologies	Land Mobile Radio (LMR)
Modulation Type	Analog, 4FSK

The EUT contains following accessory devices and data cable:

Item	Brand	Model or P/N
BATT LIION 2250T	MOTOROLA	NNTN4497DR
ANTENNA, STAMPED METAL,UHF WHIP ANT (403-520 MHZ) 17CM	MOTOROLA	PMAE4016A

General Description of Applied Standards

The EUT is a RF Product. According to the specifications of the manufacturer, the EUT is to comply with the requirements of the following standards:

ANSI C63.26-2015

No modifications were done to the UUT to facilitate the tests in this report.

Deviation from standard

Not applicable as no deviation from standard test method

Antenna gain disclaimer

Antenna gain information is provided by customer. The validity of the results is dependent upon this information. The lab will not be held accountable in the event the supplied information affects compliance.

Test configuration of EUT

All relevant configurations involving radio models and accessories (including chargers, batteries, and antennas) were assessed. Only worst case configurations will be included in this report.

2.0 Summary of Test Results

FCC General Rules Part (47CFR)	ISED General Rules Part	Test Item	Result	Remarks	Serial number tested
2.1046(a), 22.565(f)	RSS-119	RF Power Output	Pass		752TXT0630
2.1055, 22.355, 90.213	RSS-119	Frequency Stability	Pass		752TXT0630
2.1047	RSS-119	Modulation Characteristics	Pass		752TXT0630
2.1047	RSS-119	Modulation limiting	Pass		752TXT0630
2.1049, 22.359, 90.210	RSS-119	Occupied Bandwidth	Pass	16K0F3E- 14.9977kHz 11K0F3E- 9.8559kHz 7K60F1D/ 7K60FXD - 7.6434kHz 7K60F1E/ 7K60FXE - 7.3442kHz 7K60F1W- 7.5190kHz	752TXT0630
2.1051, 22.359 (a), (b)	RSS-119	Band Edge Conducted Spurious Emission	Pass		752TXT0630
90.214	RSS-119	Transient Frequency Behavior	Pass		752TXT0630
-	-	Adjacent Channel Power	NA		
2.1051, 22.359, 90.210	RSS-119	Conducted Spurious Emissions	Pass	Worst case emission - -30.09dBm	752TXT0630
2.1051, 22.359, 90.210	RSS-119	Radiated Spurious Emission	Pass	Worst case emission - -48.406dBm, Noise Floor. (margin: 29.6887dB)	752TXT0633
-	-	GNSS (EIRP for 1559 – 1610MHz)	NA		
-	-	Effective Radiated Power (ERP)	NA		

NA → Not Applicable

3.0 Measurement Uncertainty

Measurement	Frequency	Expanded Uncertainty (k=1.96) (±)
AC Power Line Conducted Spurious Emission	150KHz ~ 30MHz	3.48 dB
Radiated Emissions up to 1 GHz dB μ V/m (Field Strength)	30MHz ~ 1000MHz	5.88 dB
Radiated Emissions above 1 GHz dB μ V/m (Field Strength)	1GHz ~ 18GHz	5.84 dB
	18GHz ~ 40GHz	6.02 dB
Radiated Emissions dBm (ERP/EiRP)	30MHz ~ 18GHz	4.03 dB
Conducted Spurious Emissions	9kHz ~ 12.75GHz	2.82 dB
Frequency Stability	9kHz ~ 12.75GHz	0.0085 ppm
Audio Frequency Response / Low Pass Filter Response	300Hz – 20kHz	4.09 %
Modulation Limiting	300Hz – 3kHz	1.15 %
Occupied Bandwidth	9kHz ~ 12.75GHz	2.82 dB
Band Edge Conducted Spurious Emission	9kHz ~ 12.75GHz	2.82 dB
Transient Frequency Behavior	9kHz ~ 12.75GHz	5.4 ms
Adjacent Channel Power	9kHz ~ 12.75GHz	2.82 dB

4.0 Equipment List

FCC Analog ATE#1: (SW version: FCC_Analog_v2.5.0)

Description	Model	Serial Number	Calibration Date	Calibration Due Date
CHAMBER	SH-641	92009188	08-Mar-21	08-Mar-22
SWITCH CONTROL SYSTEM	3499B	CN40150337	CNR	CNR
AUDIO ANALYZER	8903B	3514A15797	28-Oct-20	28-Oct-21
POWER SENSOR	E4412A	MY50290007	15-Dec-20	15-Dec-21
MODULATION ANALYZER	8901B	3216A03949	14-Nov-20	14-Nov-21
POWER SUPPLY	6032A	3232A08203	14-Jun-21	14-Jun-22
ANALYZER SIGNAL	35670A	MY42506790	29-Oct-20	29-Oct-21
POWER METER	E4416A	GB41293240	14-Mar-21	14-Mar-22
AUDIO ANALYZER	U8903B	MY61060002	6-May-21	6-May-22
CXA SIGNAL ANALYZER	N9000B	MY60250530	18-Apr-21	18-Apr-22
N to N RF Cable # 1	M17/128-RG400	NA	NA	NA
BNC to N RF Cable # 1	RG 58	NA	NA	NA
BNC to BNC RF Cable # 1	RG 58	NA	NA	NA
BNC to BNC RF Cable # 2	RG 58	NA	NA	NA
BNC to BNC RF Cable # 3	RG 58	NA	NA	NA
BNC to BNC RF Cable # 4	RG 58	NA	NA	NA
BNC to BNC RF Cable # 5	RG 58	NA	NA	NA
BNC to BNC RF Cable # 6	RG 58	NA	NA	NA
BNC to BNC RF Cable # 7	RG 58	NA	NA	NA
N to SMA RF Cable # 1	RG 58	NA	NA	NA
N to SMA RF Cable # 2	RG 58	NA	NA	NA
N to SMA RF Cable # 3	RG 58	NA	NA	NA
Aeroflex Attenuator 30dB	49-30-34-LIM	NA	NA	NA

FCC Transient ATE #1: (SW version: FCC Transient ATE_R1.1.4)

Description	Model	Serial Number	Calibration Date	Calibration Due Date
SWITCH CONTROL UNIT	3488A	2719A36210	CNR	CNR
ATTENUATOR / SWITCH DRIVER	11713A	2508A10141	CNR	CNR
STEP ATTENUATOR	8496G	MY42143970	26-Sep-20	26-Sep-21
POWER SENSOR	E9301B	MY41495393	15-May-21	15-May-22
SIGNAL GENERATOR	8657A	3039A02769	11-Jun-21	11-Jun-22
MODULATION ANALYZER	8901B	2920A02173	10-Nov-20	10-Nov-21
AUDIO ANALYZER	8903B	3011A10318	28-Oct-20	28-Oct-21
POWER METER	E4418B	MY45104923	20-Feb-21	20-Feb-22
OSCILLOSCOPE	MSO8064A	MY45003003	06-Nov-20	06-Nov-21
AUDIO ANALYZER	8903B	3413A14586	13-Sep-21	13-Sep-22
STEP ATTENUATOR	8494G	MY52300967	17-Jun-21	17-Jun-22
POWER SUPPLY	6033A	3004A04987	08-Jul-21	08-Jul-22
ANALYZER SPECTRUM	E4445A	MY46181732	29-Jun-21	29-Jun-22
N to N RF Cable # 1	SF126/11N/11N	NA	NA	NA
N to N RF Cable # 1	SF126/11N/11N	NA	NA	NA
N to N RF Cable # 2	M17/128-RG400	NA	NA	NA
N to N RF Cable # 3	M17/128-RG400	NA	NA	NA
N to N RF Cable # 4	M17/128-RG400	NA	NA	NA
N to N RF Cable # 5	M17/128-RG400	NA	NA	NA
N to N RF Cable # 6	M17/128-RG400	NA	NA	NA
N to N RF Cable # 7	M17/128-RG400	NA	NA	NA
N to N RF Cable # 8	M17/128-RG400	NA	NA	NA
N to N RF Cable # 9	M17/128-RG400	NA	NA	NA
BNC to BNC RF Cable # 1	RG 58	NA	NA	NA
BNC to BNC RF Cable # 2	RG 58	NA	NA	NA
BNC to BNC RF Cable # 3	RG 58	NA	NA	NA
BNC to BNC RF Cable # 4	RG 58	NA	NA	NA
BNC to BNC RF Cable # 5	RG 58	NA	NA	NA
BNC to BNC RF Cable # 6	RG 58	NA	NA	NA
BNC to N RF Cable # 1	RG 58	NA	NA	NA
Aeroflex Attenuator 10dB	49-10-43-LIM	NA	NA	NA
Aeroflex Attenuator 10dB	33-10-34-LIM	NA	NA	NA

FCC CONDUCTED SPUR EMISSION ATE # 1 (SW version: Conducted Spur ATE_rev 1.23.03)

Description	Model	Serial Number	Calibration Date	Calibration Due Date
SWITCH CONTROL UNIT	3488A	2719A32735	CNR	CNR
ANALYZER SPECTRUM	E4440A	MY46185415	10-Jan-20	10-Jan-22
POWER SUPPLY	6031A	3221A02613	25-May-21	25-May-22
INTERFACE BOX - FILTER	CNR	CS001	06-Jul-21	06-Jul-22
N to N RF Cable # 1	SF126/11N/11N	NA	NA	NA
N to N RF Cable # 2	SF126/11N/11N	NA	NA	NA
BNC to BNC RF Cable # 1	RG 58	NA	NA	NA
Aeroflex Attenuator 30dB	49-30-43-LIM	NA	NA	NA
Aeroflex Attenuator 10dB	33-10-34-LIM	NA	NA	NA

EMC Chamber 1

DESCRIPTION	MODEL	SERIAL NUMBER	CALIBRATION DATE	CALIBRATION DUE DATE
DRG HORN FREQ.	SAS-571	720	06-Apr-21	06-Apr-23
DRG HORN FREQ.	SAS-571	566	22-Oct-19	22-Oct-21
POWER SUPPLY	N7976A	MY53410110	24-May-21	24-May-22
SIGNAL GENERATOR	SMB 100A	181117	8-Nov-18	8-Nov-21
EMI TEST RECEIVER	ESW44	101750	15-Jan-21	15-Jan-22
EMI TEST RECEIVER	ESIB26	827769/009	11-Mar-21	11-Mar-22
5m SEMI-ANECHOIC CHAMBER	S800-HX	J2308	No Cal. Req'd	No Cal. Req'd
BILOG ANTENNA	CBL6112D	55546	06-Jun-21	06-Jun-22
BILOG ANTENNA	CBL6112B	2964	4-May-21	4-May-22
HYGRO-THERMOMETER	SDL500	A.016800	18-May-21	18-May-22
SYSTEM CONTROLLER	SC104V	050806-1	No Cal. Req'd	No Cal. Req'd
TURNTABLE FLUSH MOUNT 2M	FM2011	NA	No Cal. Req'd	No Cal. Req'd
ANTENNA POSITIONING TOWER	TLT2	NA	No Cal. Req'd	No Cal. Req'd
BROAD-BAND HORN ANTENNA	BBHA9170	BBHA9170255	4-Feb-21	4-Feb-22
AMPLIFIER	JS44-18004000-33-8P	2034566	12-June-19	12-June-22
PREAMPLIFIER	PAM-0118P	361	11-Sep-20	11-Sep-23
LOOP ANTENNA	6502	00203479	5-Feb-21	5-Feb-22
TEST SOFTWARE	EMC FCC IC BLUETOOTH RE TEST			
VERSION	EMC FCC RE v1.6.2			

5.0 Test Condition

5.1. Transmitter Test Conditions

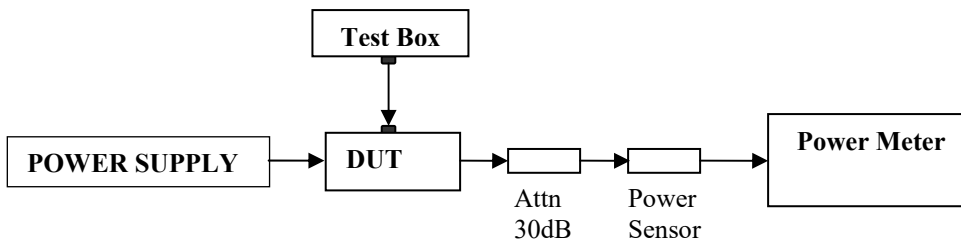
Test Item, (Channel Spacing)	Power (W)	Modulation	Test Frequency (MHz)	Tested By	Environmental conditions
RF Output Power	Low & Max	Analog	403.0125, 406.2, 450.025, 459.125, 467.775, 469.9875	Putri	23.4°C, 50%RH
Frequency Stability	Max	Analog	467.775	Putri	25.1°C, 54.3%RH, 60.3°C, 50%RH, -30.1°C, 51.2%RH
Modulation Characteristic	Max	Analog	467.775, 459.125	Putri	23.4°C, 50%RH
Modulation limiting (12.5kHz / 25kHz)	Max	Analog	467.775, 459.125	Putri	23.4°C, 50%RH
Occupied Bandwidth (12.5kHz / 20kHz / 25kHz)	Max	Analog, 4FSK	403.0125, 406.2, 450.025, 459.125, 467.775, 469.9875	Putri	23.4°C, 50%RH
Band Edge Conducted Spurious Emissions (Part 22) (12.5kHz / 20kHz / 25kHz)	Max	Analog, 4FSK	459.025, 459.65	Putri	23.4°C, 50%RH
Transient Frequency Behavior (UHF & VHF Band) (12.5kHz / 25kHz)	Max	Analog	467.775	Putri	23.4°C, 50%RH
Adjacent Channel Power (700MHz Band) (12.5kHz / 25kHz)	Max	Analog, 4FSK	NA		
Conducted Spurious Emissions- (12.5kHz / 25kHz)	Low / Max	Analog, 4FSK	403.0125, 406.2, 450.025, 459.125, 467.775, 469.9875	Putri	23.4°C, 50%RH
Radiated Spurious Emission (12.5kHz / 25kHz)	Low / Max	Analog, 4FSK	403.0125, 406.2, 450.025, 459.125, 467.775, 469.9875	Nazrin&Qawiman	23.6°C, 69.2%RH
GNSS (EIRP for 1559 - 1610MHz) (12.5kHz / 25kHz)	Max	Analog	NA		
Effective Radiated Power (ERP) (12.5kHz / 25kHz)	Max	Analog	NA		

NA → Not Applicable

6.0 Transmitter Test Parameters

6.1. RF Output Power

6.1.1. Test Setup



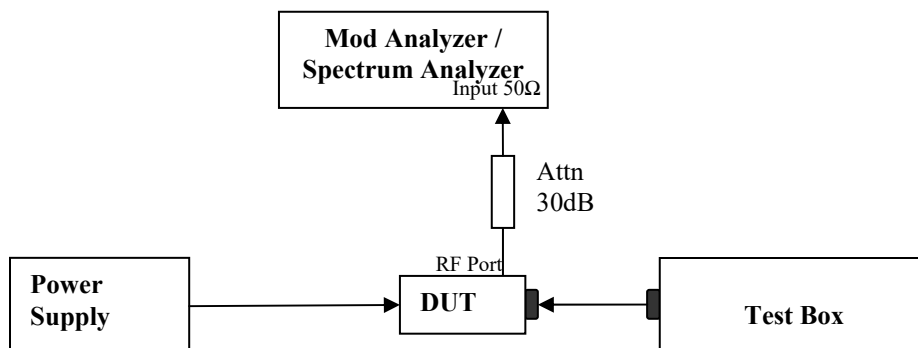
- 1) The DUT transmitter connected to Power Meter using the 30 dB attenuator and power sensor with above setup.
- 2) Path loss for the measurement included.
- 3) All the measurement was done at low, mid, high frequency for each band.
- 4) Record the power into the test report.

6.1.2. Test Result

Temperature	25°C				Remark
Voltage (V)	7.5V				
Frequency (MHz)	Low Power (W)	Current (A)	Max Power (W)	Current (A)	
403.01250	0.97	0.69	4.65	1.39	Not for FCC review
406.20000	0.97	0.66	4.72	1.39	
450.02500	0.97	0.65	4.72	1.50	
459.12500	0.95	0.66	4.72	1.53	
467.77500	0.97	0.66	4.72	1.29	
469.98750	0.97	0.66	4.72	1.20	

6.2. Frequency Stability

6.2.1. Test Setup

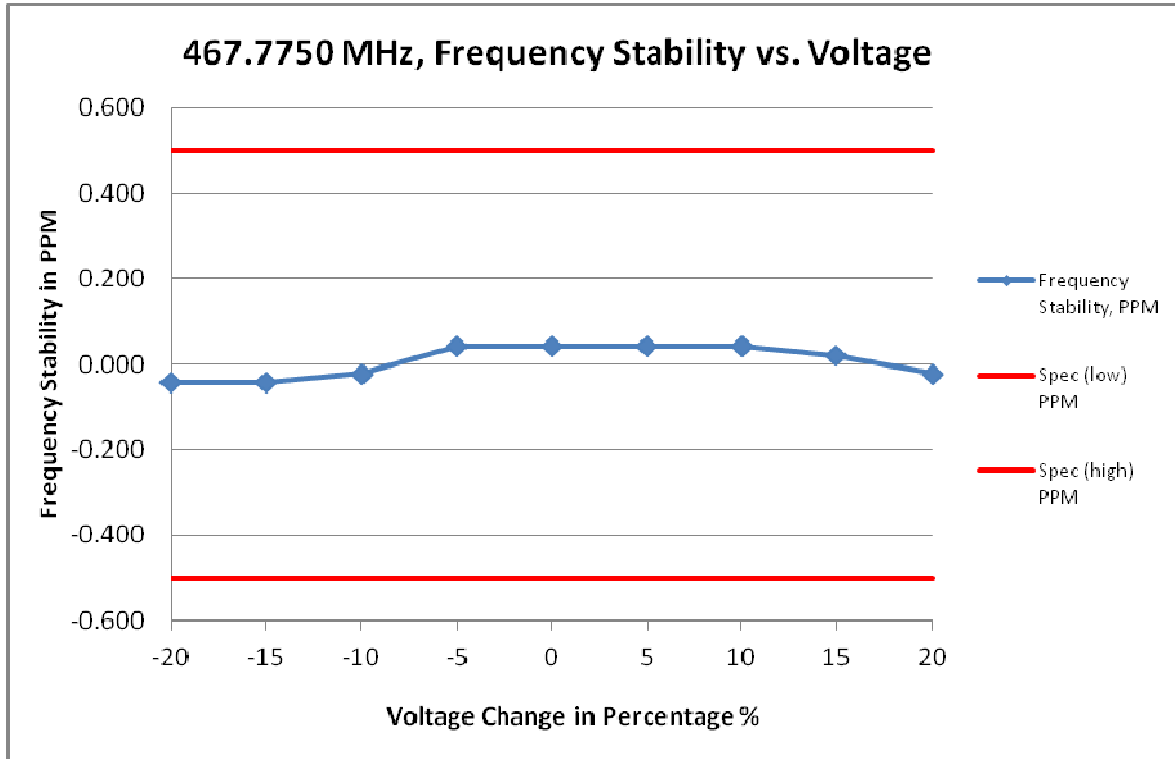


- 1) The DUT transmitter output port was connected to Modulation / Spectrum Analyzer.
- 2) Path loss for the measurement included.
- 3) Transmit the DUT and record the freq in MCF_{MHz} .
- 4) Test in 2 conditions:
 - Temperature: The frequency of the transmitter was measured from -30°C to 50°C.
 - Supply Voltage:
 - Mobile: The frequency of the transmitter was measured from 85% to 115% of the nominal operating input voltage.
 - Portable: The frequency of the transmitter was measured from nominal $\pm x\%$ as specified by the manufacturer
- 5) Calculate the ppm frequency error by the following:

$$ppm\ error = \left(\frac{MCF_{MHz}}{ACF_{MHz}} - 1 \right) * 10^6$$

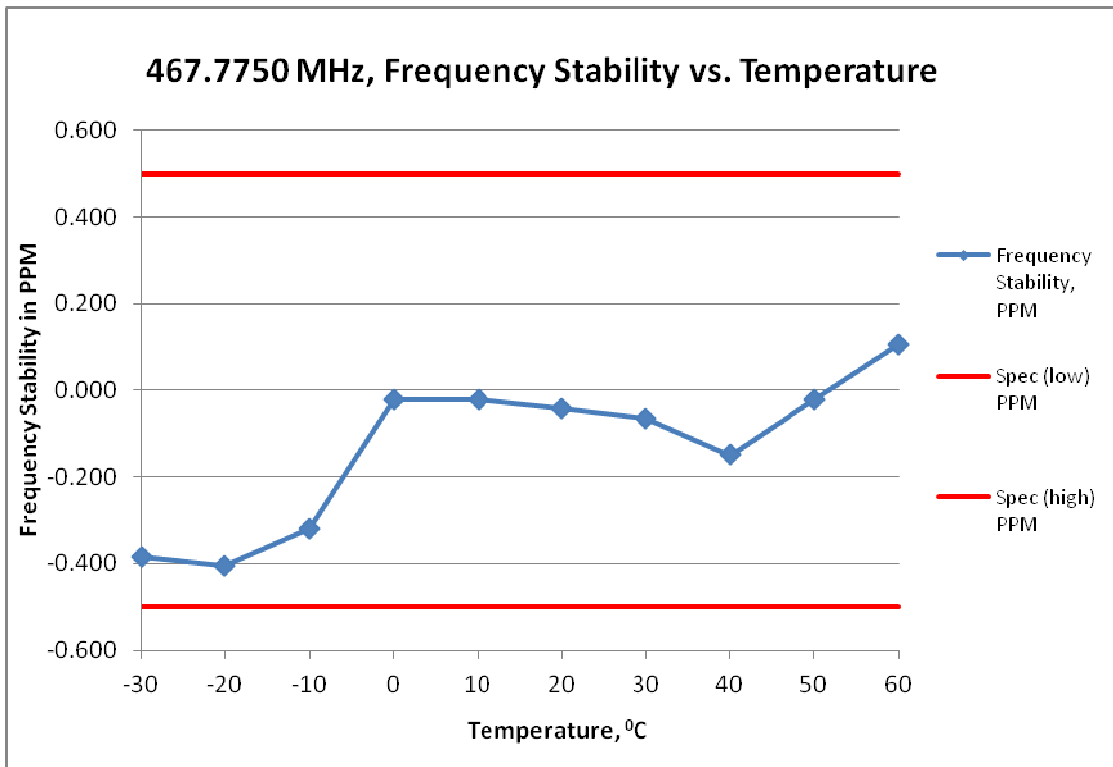
Where: MCF_{MHz} is the Measured Carrier Frequency in MHz
 ACF_{MHz} is the Assigned Carrier Frequency in MHz

6.2.2. Test Result



(i) Frequency Stability VS Voltage

Frequency / Channel Spacing	467.7750 MHz / 12.5 kHz				
Temperature, °C	25				
Voltage %	Voltage, V	Frequency, MHz	Frequency Stability, PPM	Spec (low) PPM	Spec (high) PPM
-20	6.000	467.774980	-0.043	-0.500	0.500
-15	6.375	467.774980	-0.043	-0.500	0.500
-10	6.750	467.774990	-0.021	-0.500	0.500
-5	7.125	467.775020	0.043	-0.500	0.500
0	7.500	467.775020	0.043	-0.500	0.500
5	7.875	467.775020	0.043	-0.500	0.500
10	8.250	467.775020	0.043	-0.500	0.500
15	8.625	467.775010	0.021	-0.500	0.500
20	9.000	467.774990	-0.021	-0.500	0.500



(ii) Frequency Stability VS temperature

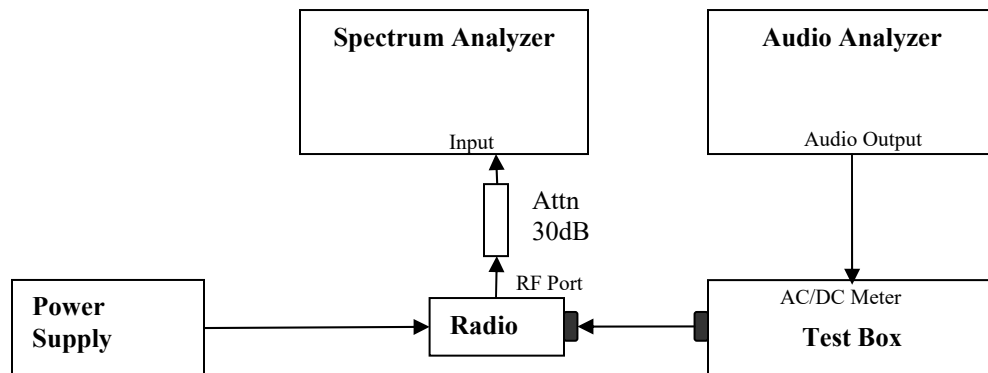
Frequency / Channel Spacing	467.7750 MHz / 12.5 kHz			
Voltage, V	7.5			
Temperature, °C	Frequency, MHz	Frequency Stability, PPM	Spec (low) PPM	Spec (high) PPM
-30	467.774820	-0.385	-0.500	0.500
-20	467.774810	-0.406	-0.500	0.500
-10	467.774850	-0.321	-0.500	0.500
0	467.774990	-0.021	-0.500	0.500
10	467.774990	-0.021	-0.500	0.500
20	467.774980	-0.043	-0.500	0.500
30	467.774970	-0.064	-0.500	0.500
40	467.774930	-0.150	-0.500	0.500
50	467.774990	-0.021	-0.500	0.500
60	467.775050	0.107	-0.500	0.500

6.2.3. Test Limit

As per manufacturer declared spec +/- 0.5ppm

6.3. Modulation Characteristics

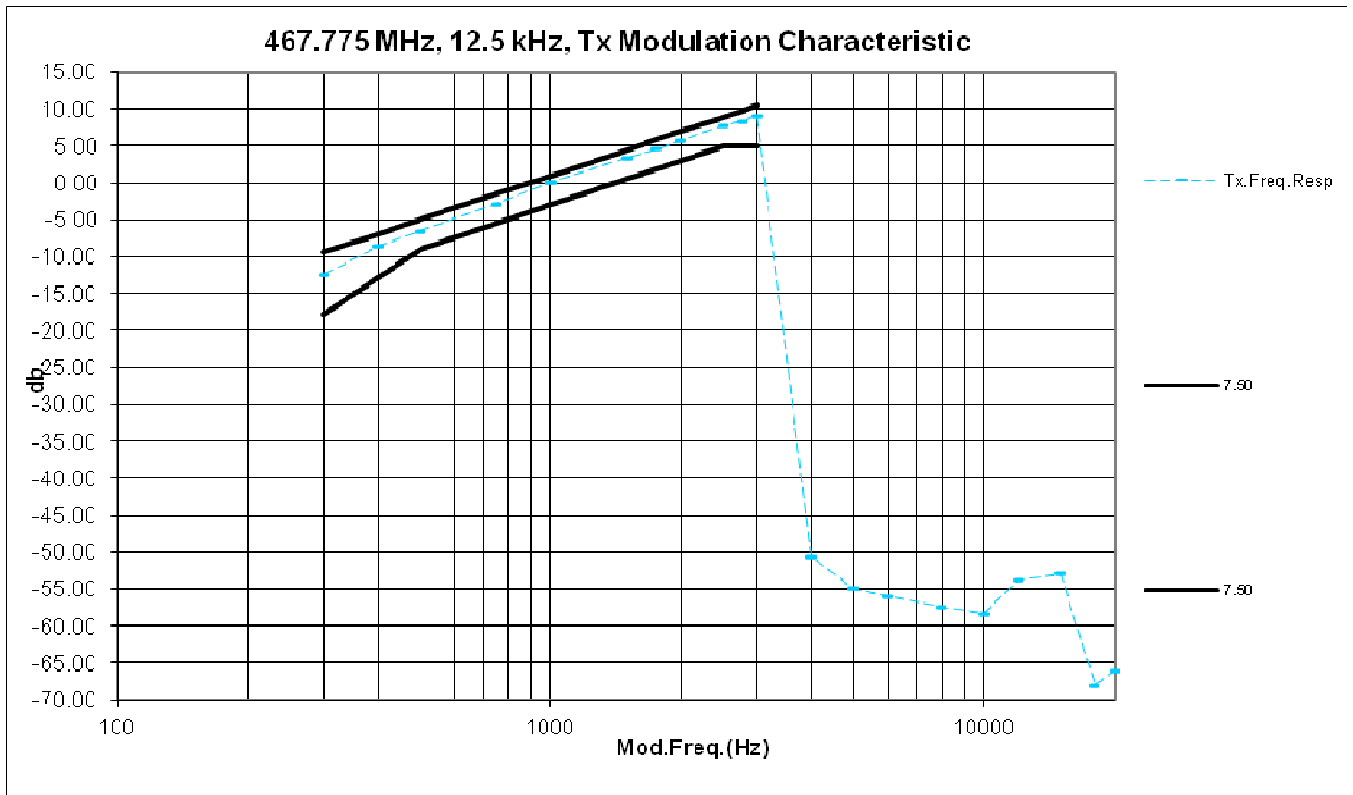
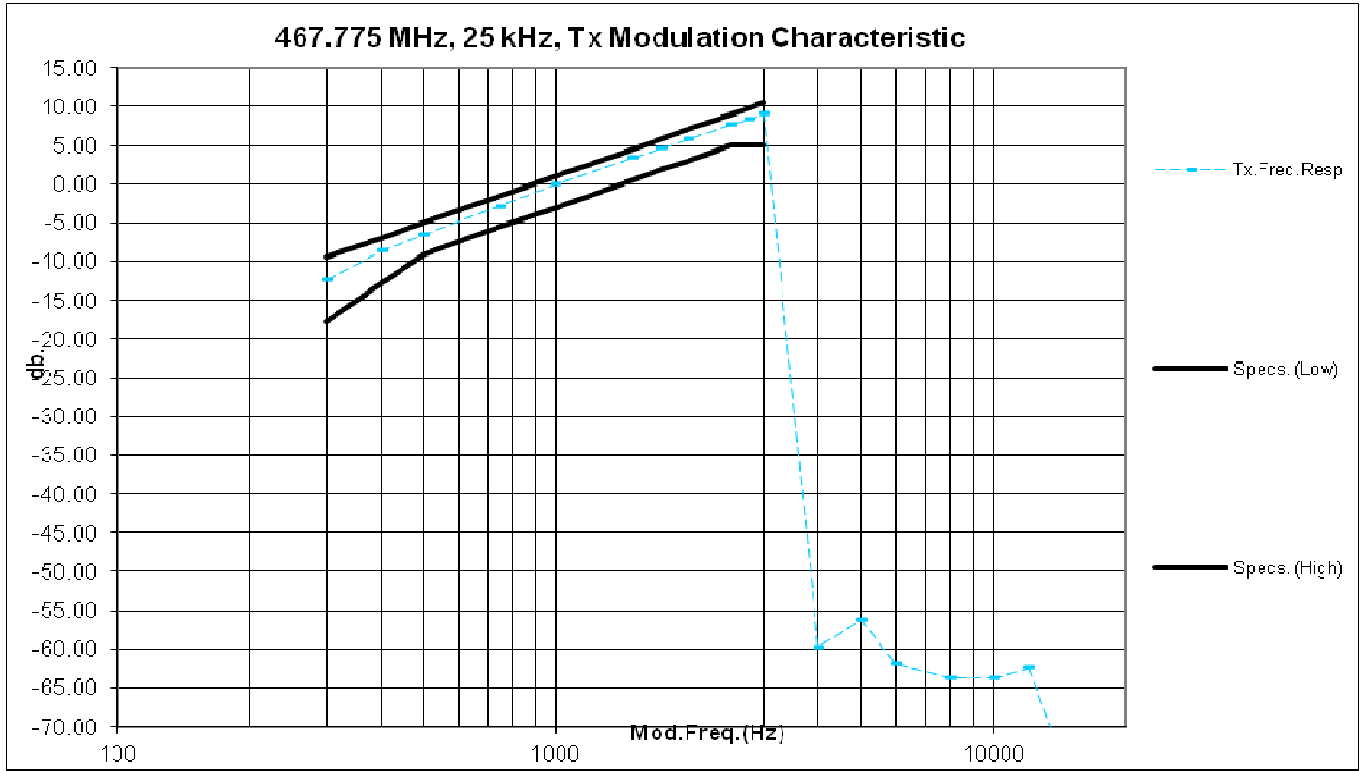
6.3.1. Test Setup



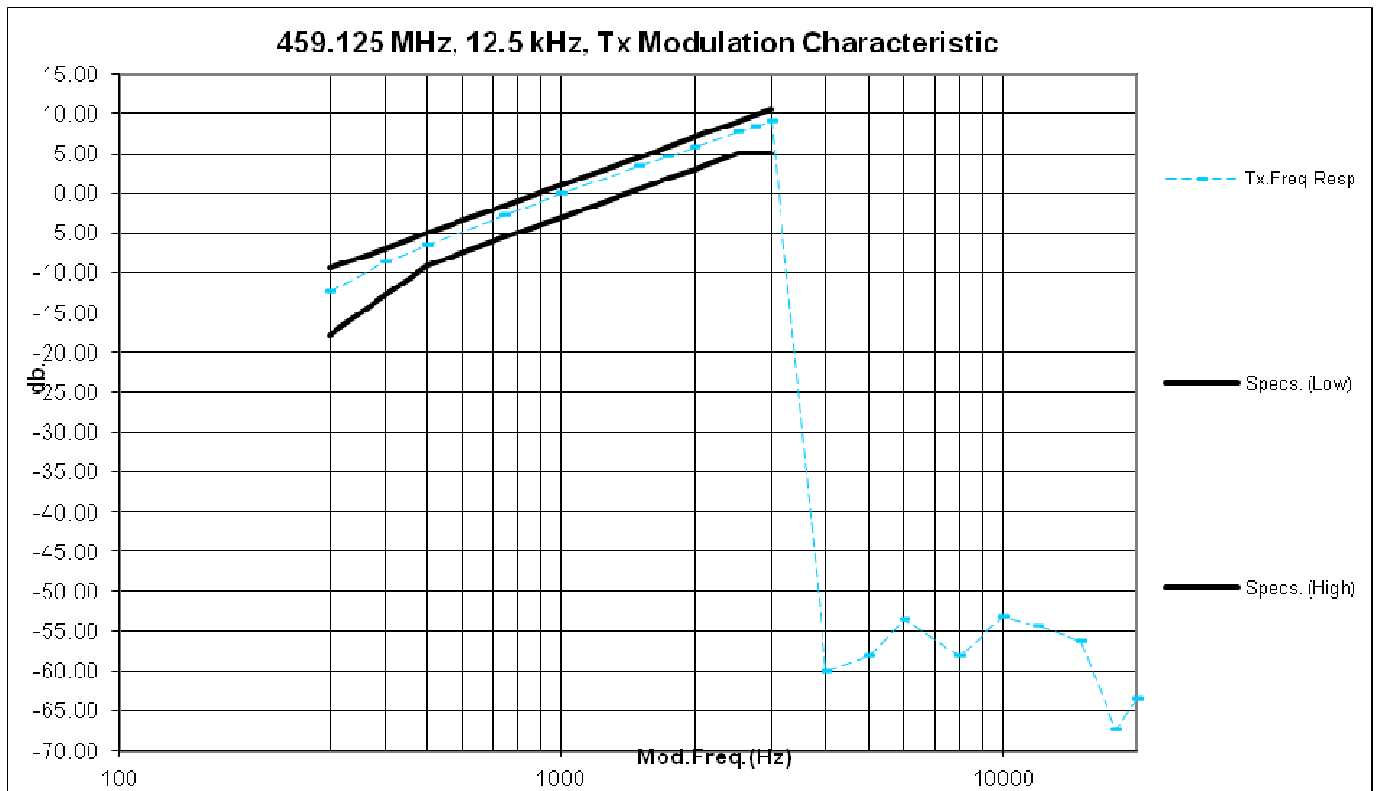
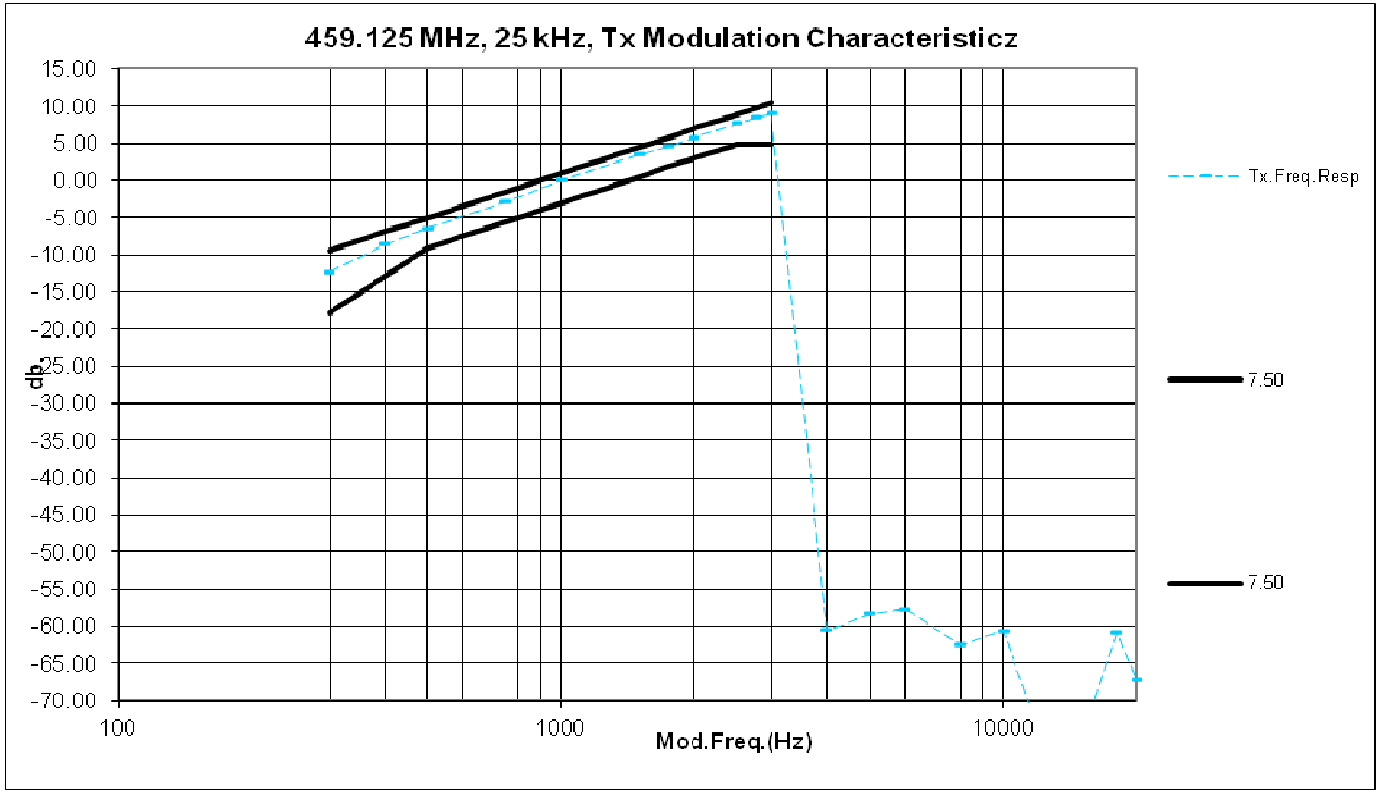
- 1) The DUT transmitter output port was connected to Modulation Analyzer.
- 2) Path loss for the measurement included.
- 3) Set the audio bandwidth filter to 15 kHz and 50 kHz.
- 4) Transmit the radio and set the audio analyzer to 1 kHz audio frequency and 20% of the Full rated system deviation.
- 5) On audio analyzer, set the rated level as 0dB reference
- 6) Vary the audio frequency from 300 Hz to 20 kHz. Record the change in modulation in reference to step 5.

6.3.2. Test Result

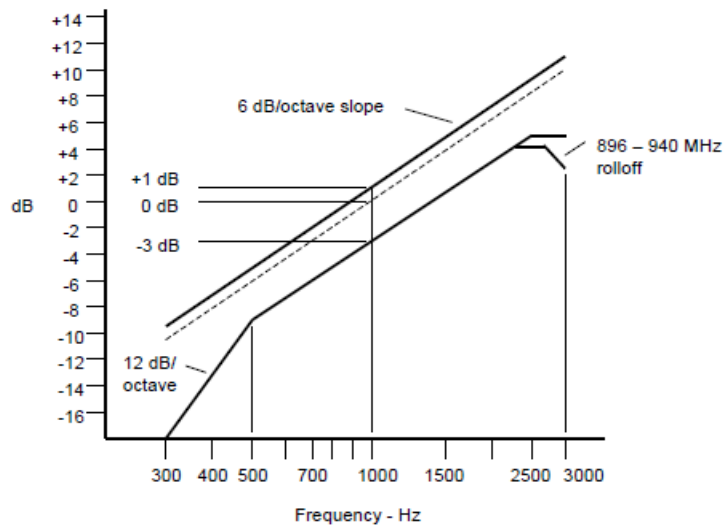
Not for FCC review



Not for FCC review



6.3.3. Test Limit

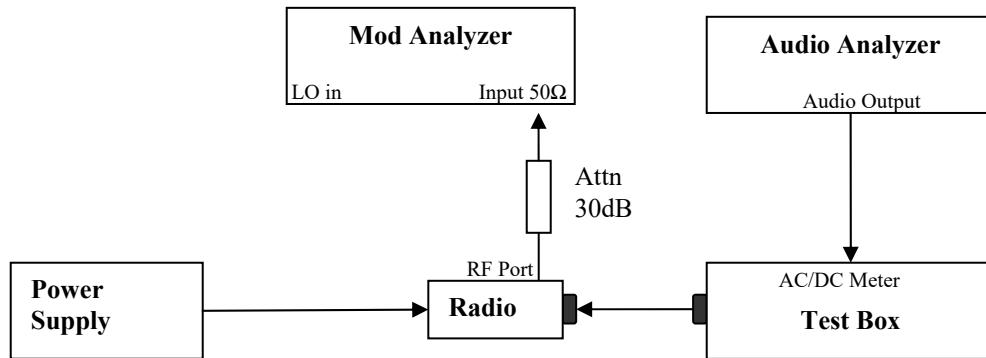


Note:

- o There are additional 6 dB per octave attenuation is allowed from 2.5KHz to 3KHz in equipment 25MHz to 869MHz radio.
- o Additional 6 dB per octave attenuation is allowed from 2.3KHz to 2.7KHz & additional 12 dB per octave attenuation is allowed from 2.7KHz to 3KHz in equipment 896MHz to 940MHz radio.

6.4. Modulation Limiting

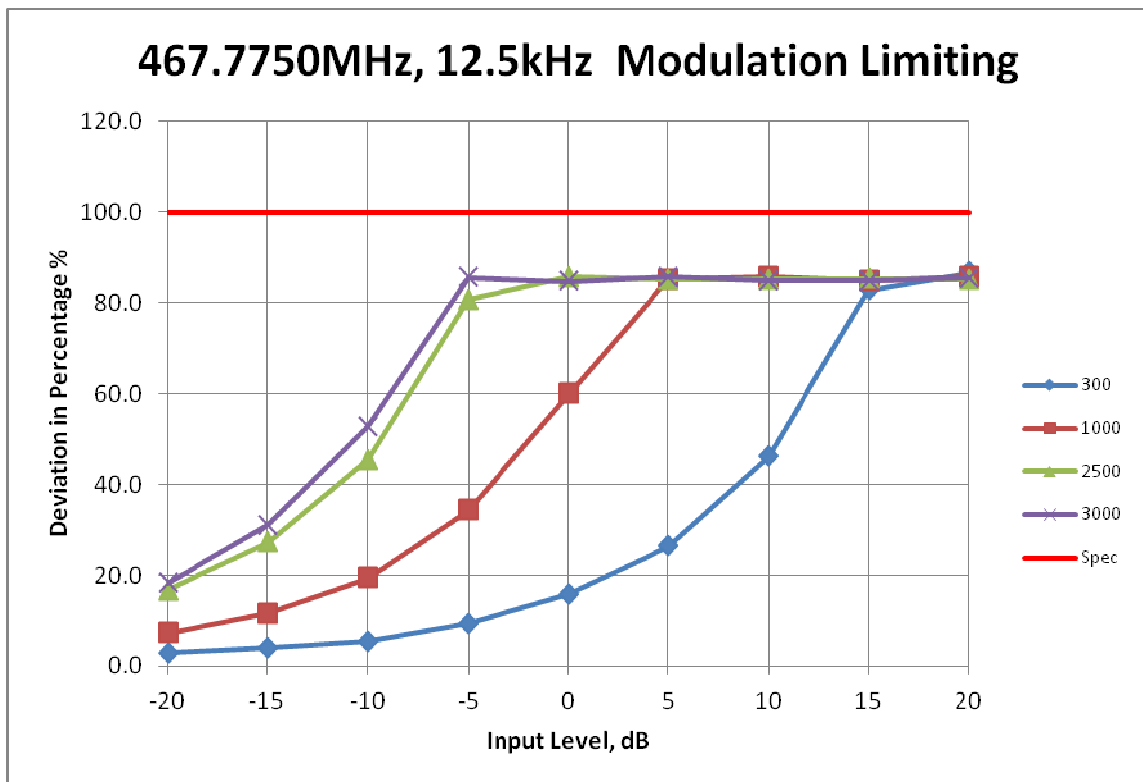
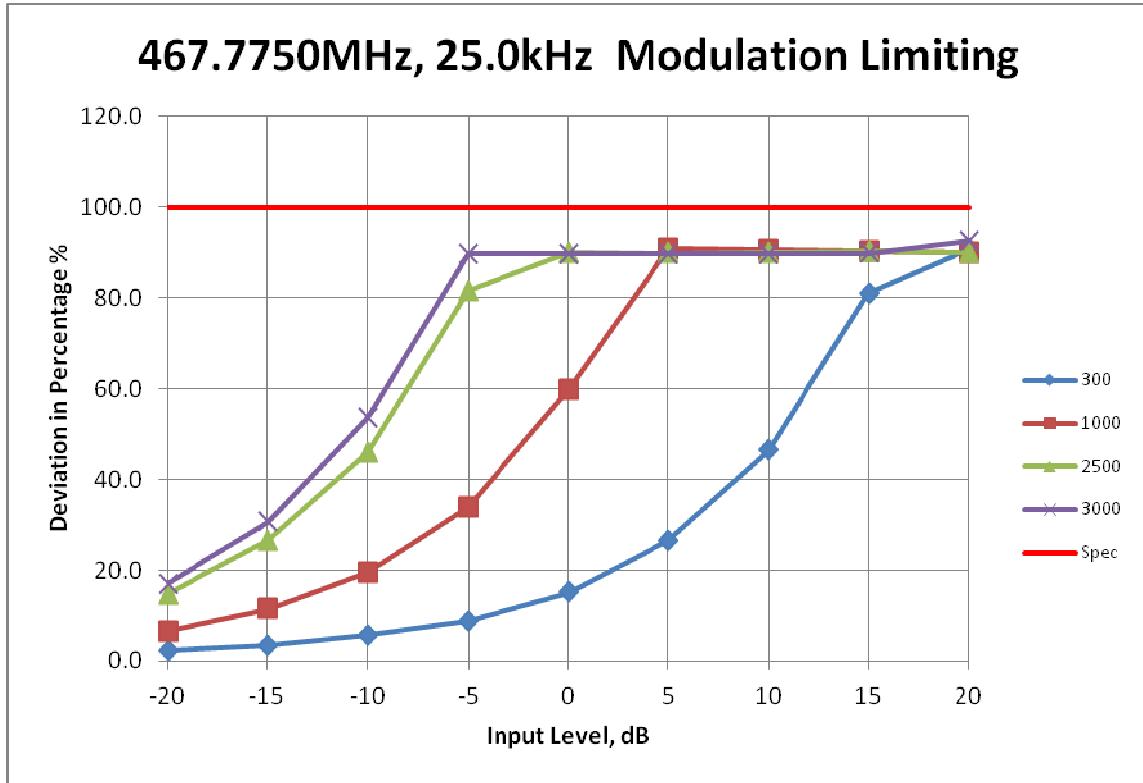
6.4.1. Test Setup



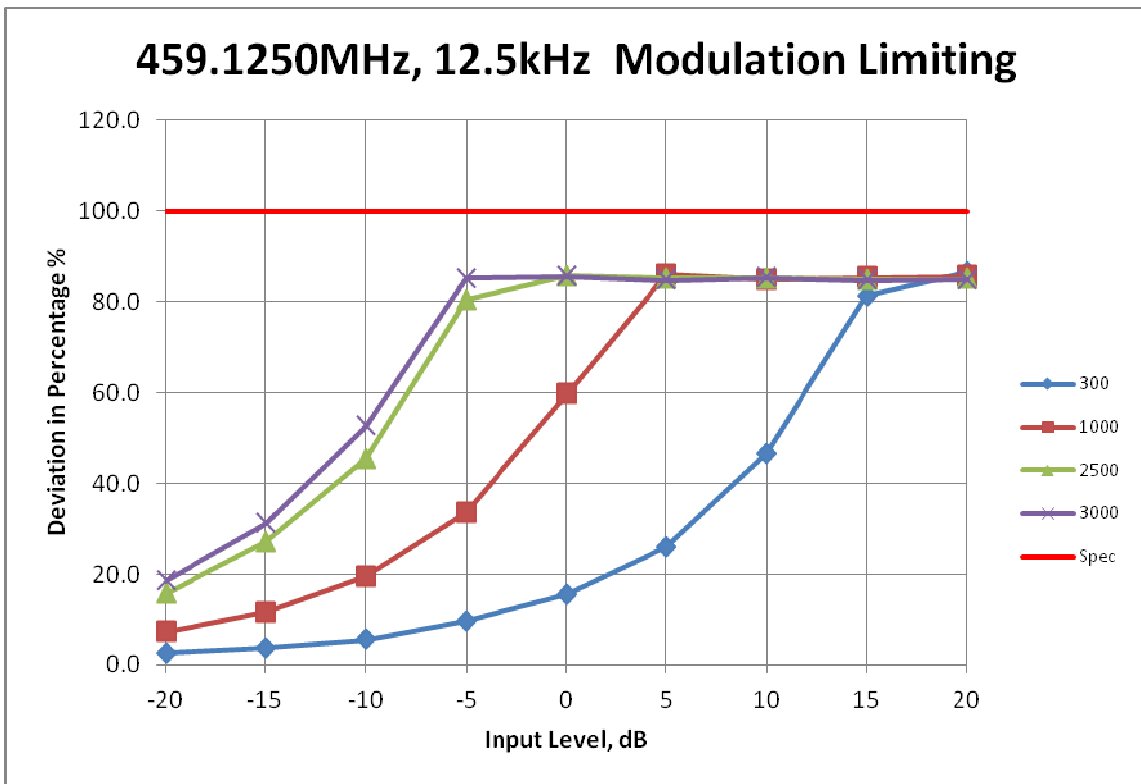
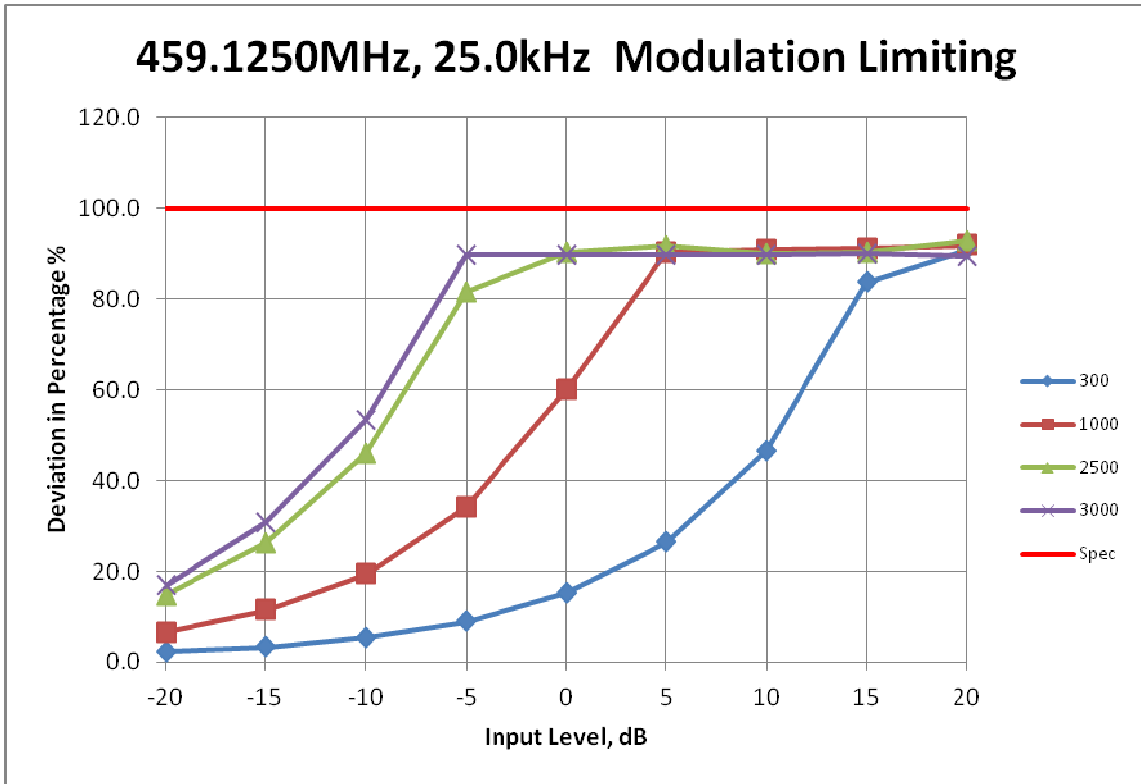
- 1) The DUT transmitter output port was connected to Modulation Analyzer.
- 2) Path loss for the measurement included.
- 3) Set the audio bandwidth filter to 15 kHz.
- 4) Transmit the radio and set the audio analyzer to 1 kHz audio frequency and 60% of the Full rated system deviation.
- 5) Record the frequency deviation as 0dB input level at 1kHz audio frequency.
- 6) Repeat the step and record the frequency deviation from -20 dB to 20dB by 5 dB increments and different audio freq 300 Hz, 2.5 kHz and 3 kHz.

6.4.2. Test Result

Not for FCC review



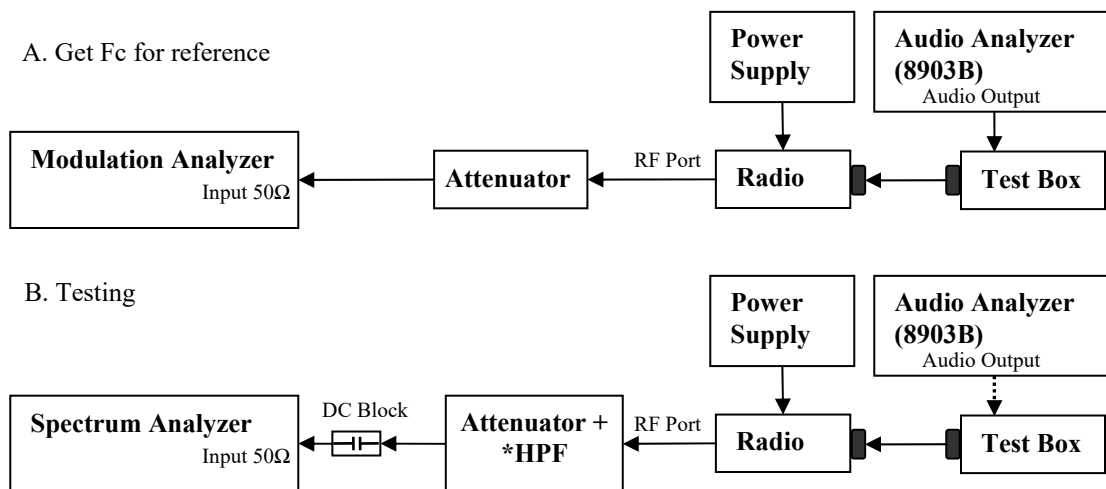
Not for FCC review



6.4.3. Test Limit
 Modulation Limiting shall not exceed 100 percent.

6.5. Occupied Bandwidth

6.5.1. Test Setup (Analog)



- 1) The DUT transmitter output port was connected to Modulation Analyzer.
- 2) Set the audio bandwidth filter to 15 kHz low pass filter and 50 kHz high pass filter.
- 3) Transmit the radio and set the audio analyzer to 2.5 kHz audio frequency and 50% of the rated deviation. Up the amplitude by 16 dB. Dekey the DUT.
- 4) Path loss for the measurement included.
- 5) Select the Occupied Bandwidth measurement for 99% Emissions Bandwidth Measurement.
- 6) Key in the Fc and Resolution Bandwidth (1 ~ 5 % of emission designator).
- 7) Transmit the DUT and record the occupied Bandwidth frequency.
- 8) Preset the spectrum analyzer for sideband spectrum measurement.
- 9) Set the span and Resolution Bandwidth (according to FCC/ ISED standard).
- 10) Save the screen shot as modulated signal
- 11) Remove the audio tone from audio analyzer to capture unmodulated signal.

* Only HPF added for Mask 80.211 measurement with attenuator.

* 99% Bandwidth measurement is computed by the spectrum analyzer and is consistent with the C63.26 5.4.4 method.

6.5.2. Test Result (Analog)

Standard Audio Modulation (25 kHz Channelization, Analog Voice):
Emission Designator 16K0F3E

In this case, the maximum modulating frequency is 3 kHz with a 5 kHz deviation.

$BW = 2(M+D) = 2*(3 \text{ kHz} + 5 \text{ kHz}) = 16 \text{ kHz} = 16K0$
F3E portion of the designator indicates voice.

Therefore, the entire designator for 25 kHz channelization analog voice is 16K0F3E.

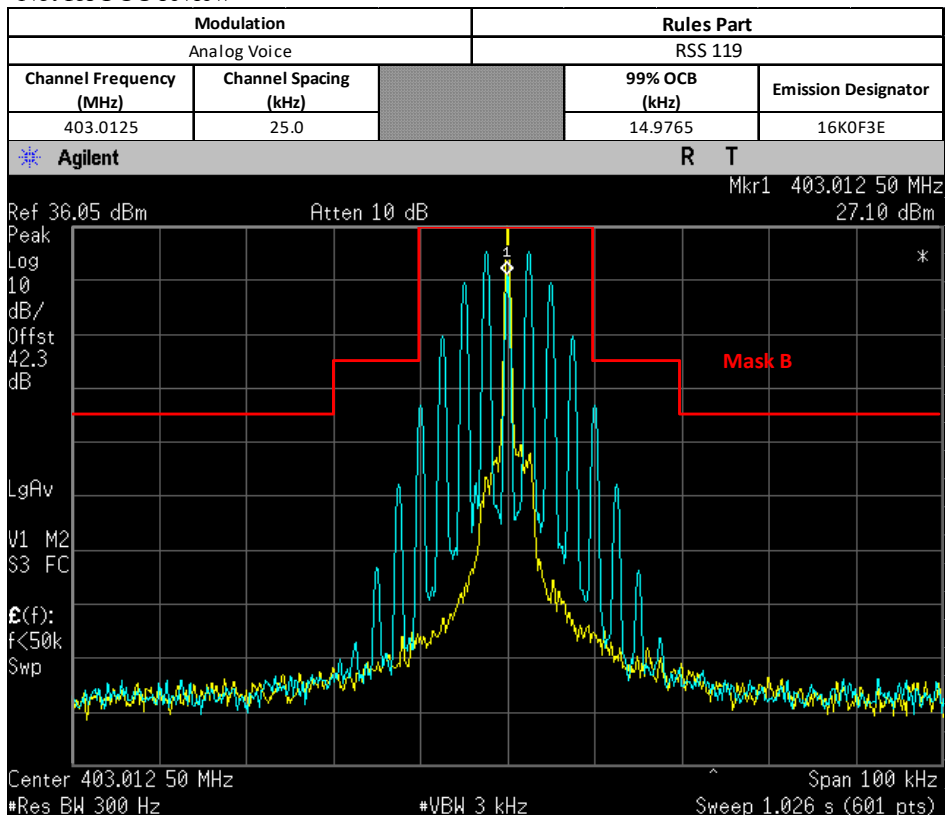
Standard Audio Modulation (12.5 kHz Channelization, Analog Voice):
Emission Designator 11K0F3E

In this case, the maximum modulating frequency is 3.0 kHz with a 2.5 kHz deviation.

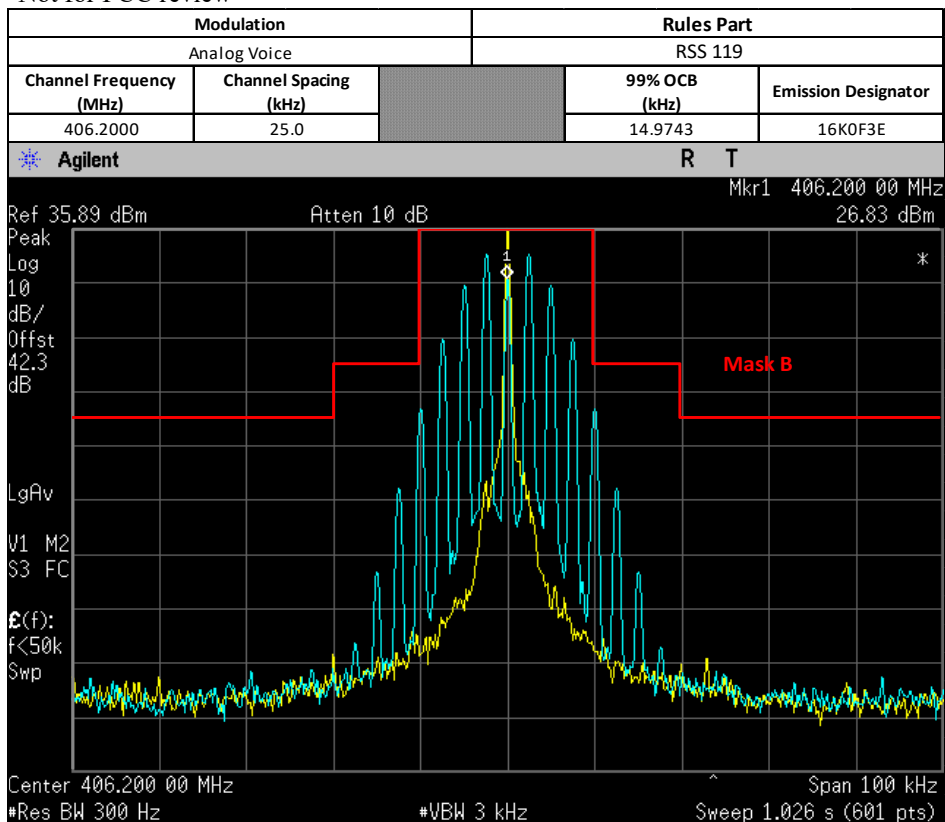
$BW = 2(M+D) = 2*(3.0 \text{ kHz} + 2.5 \text{ kHz}) = 11 \text{ kHz} = 11K0$
F3E portion of the designator indicates voice.

Therefore, the entire designator for 12.5 kHz channelization analog voice is 11K0F3E.

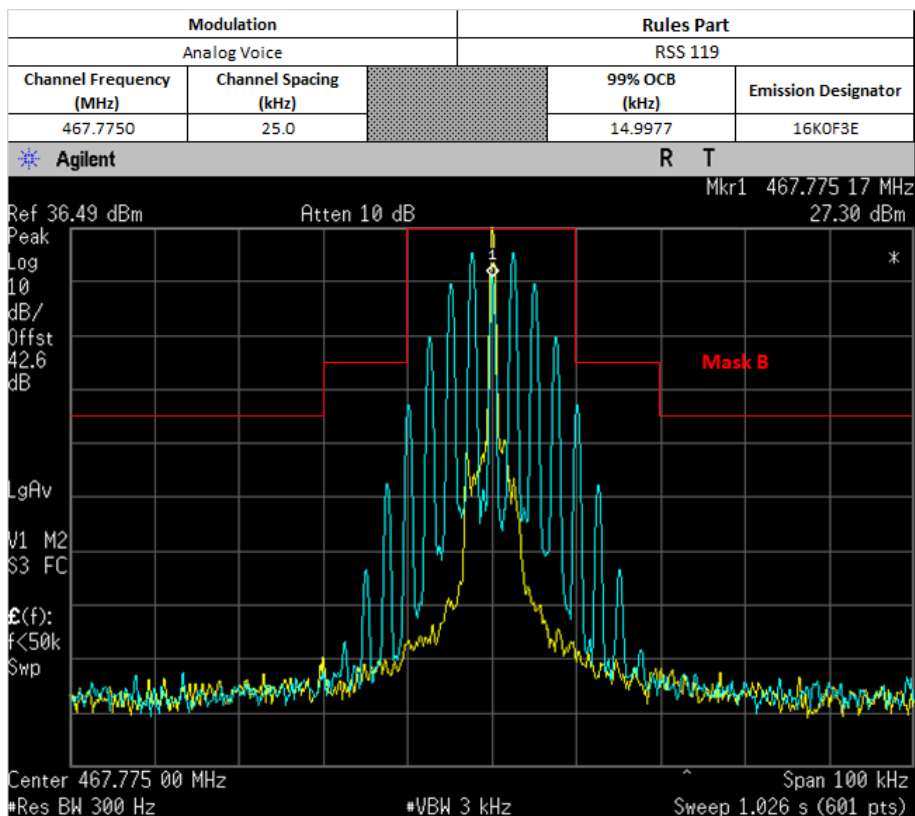
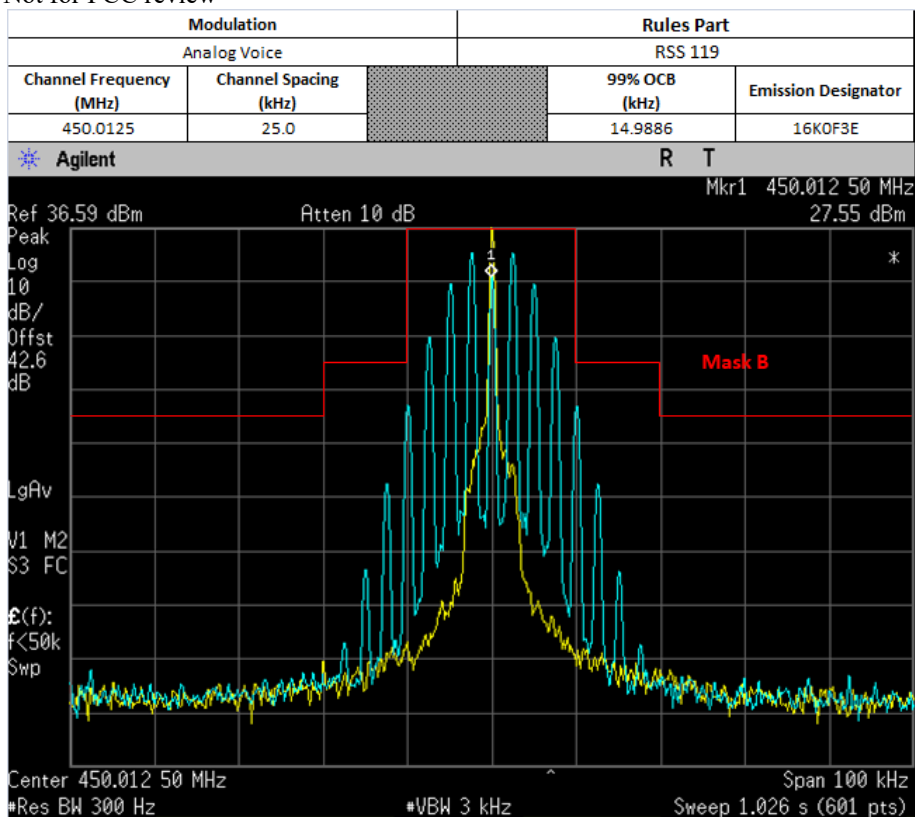
Not for FCC review



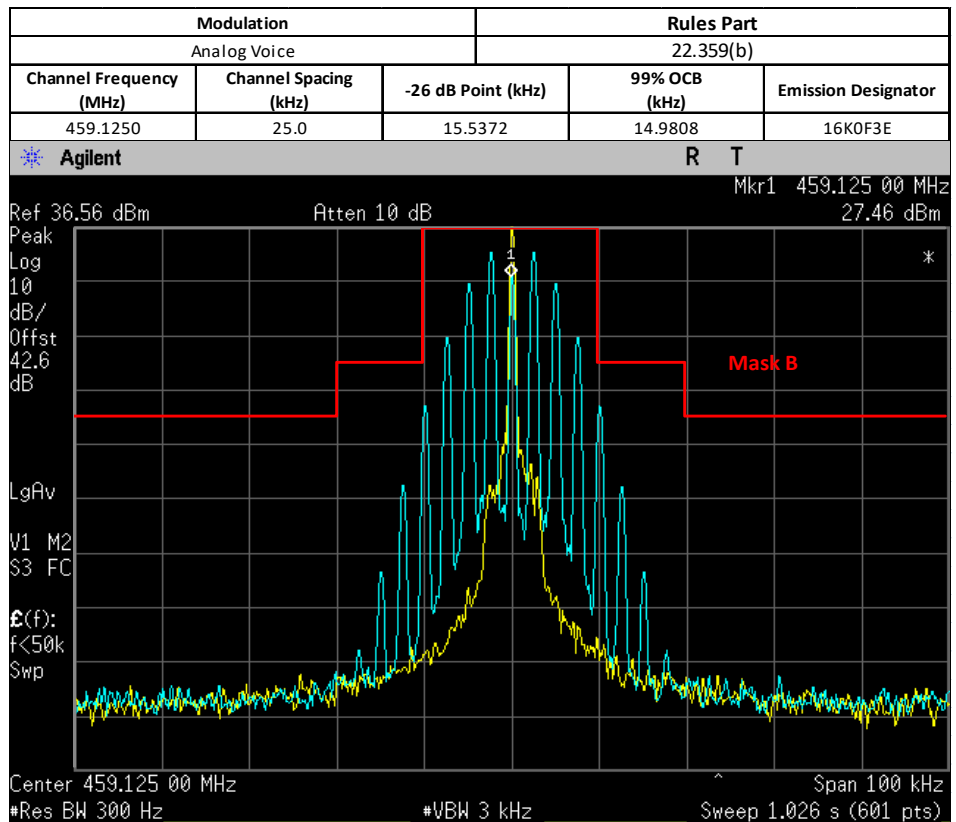
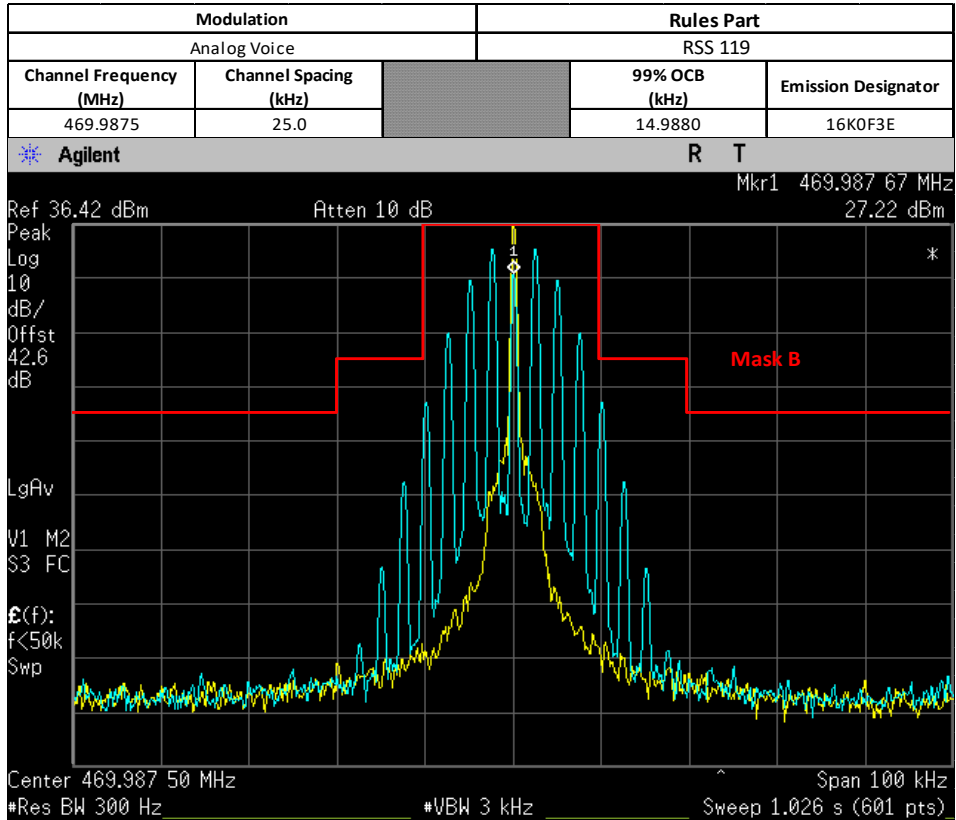
Not for FCC review

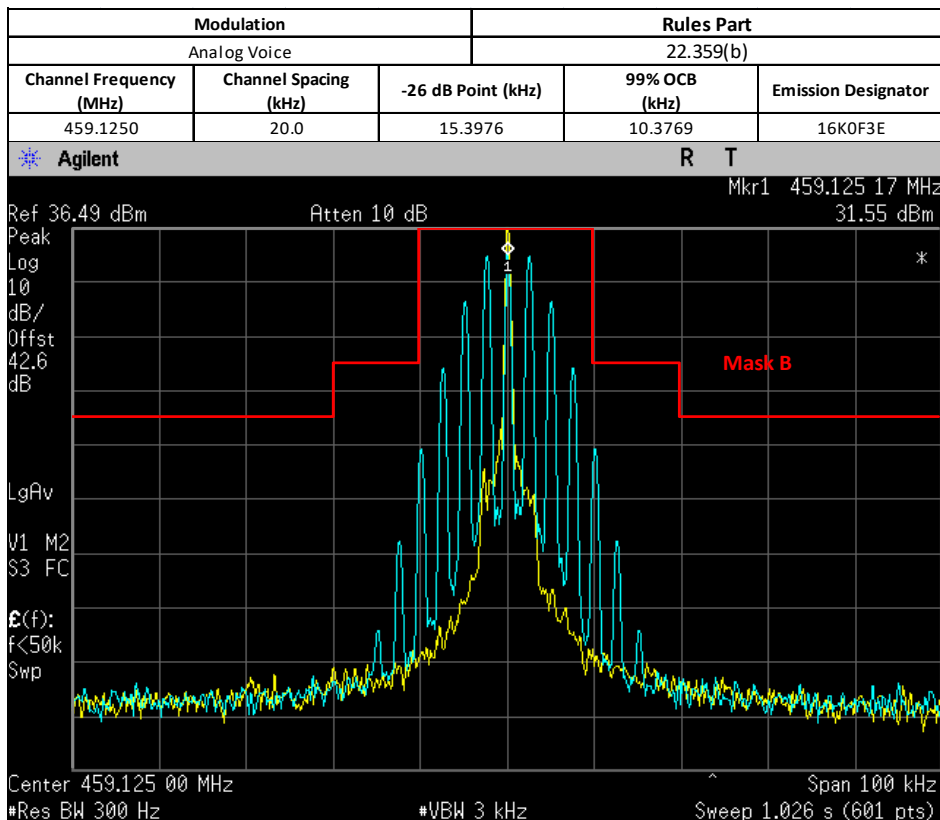


Not for FCC review

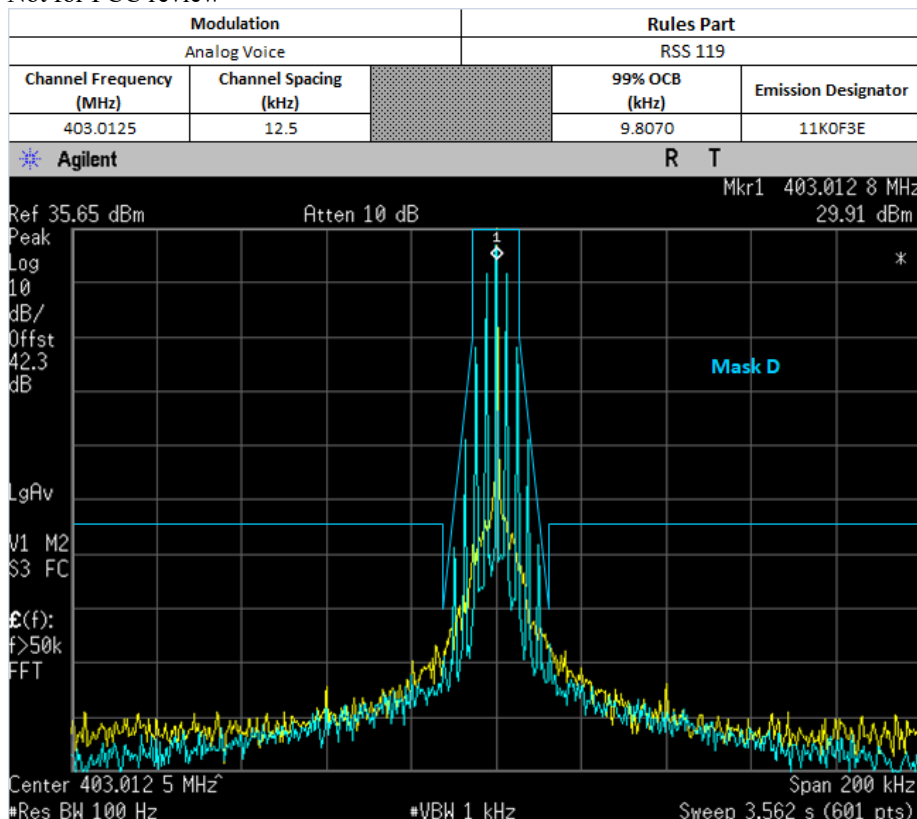


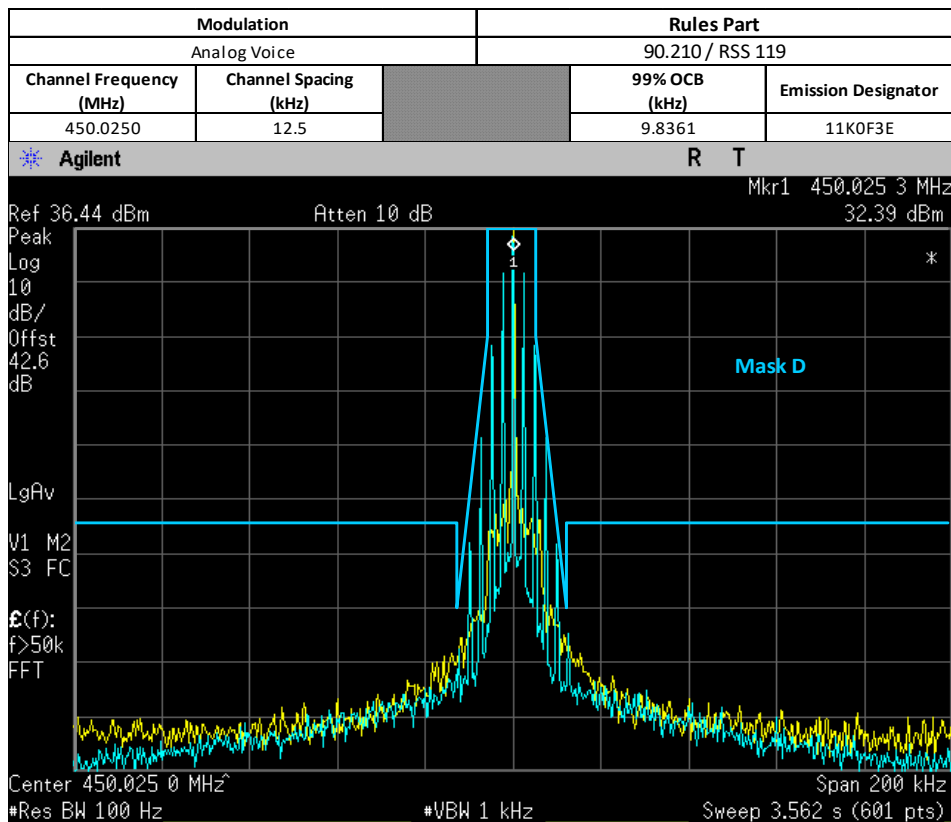
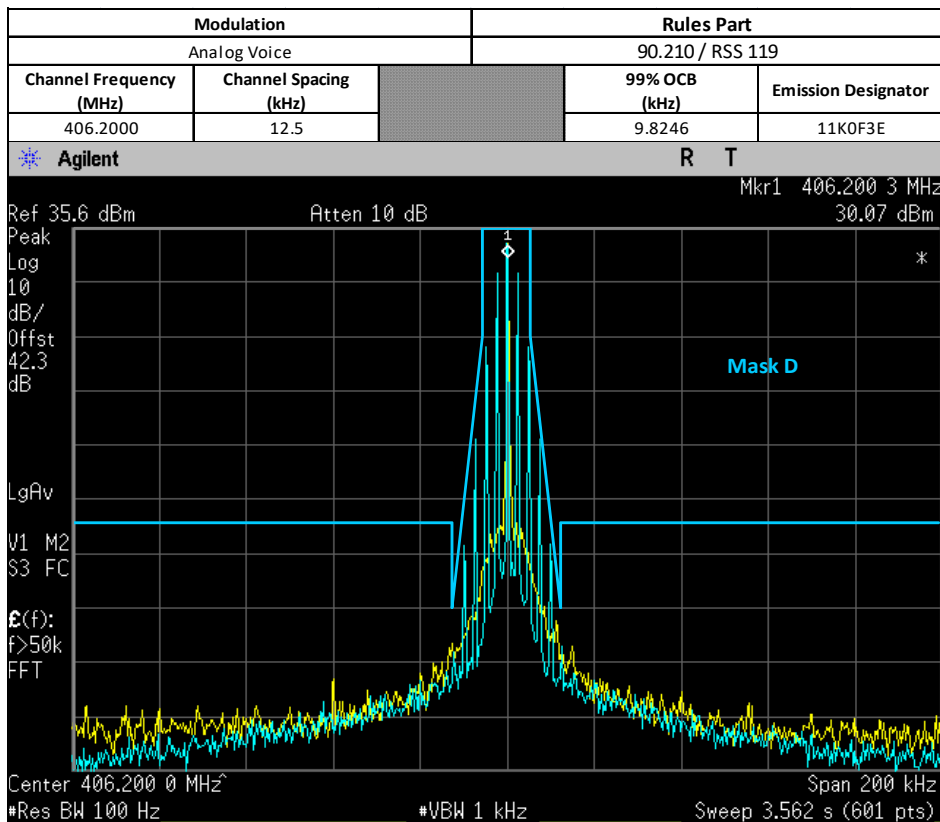
Not for FCC review



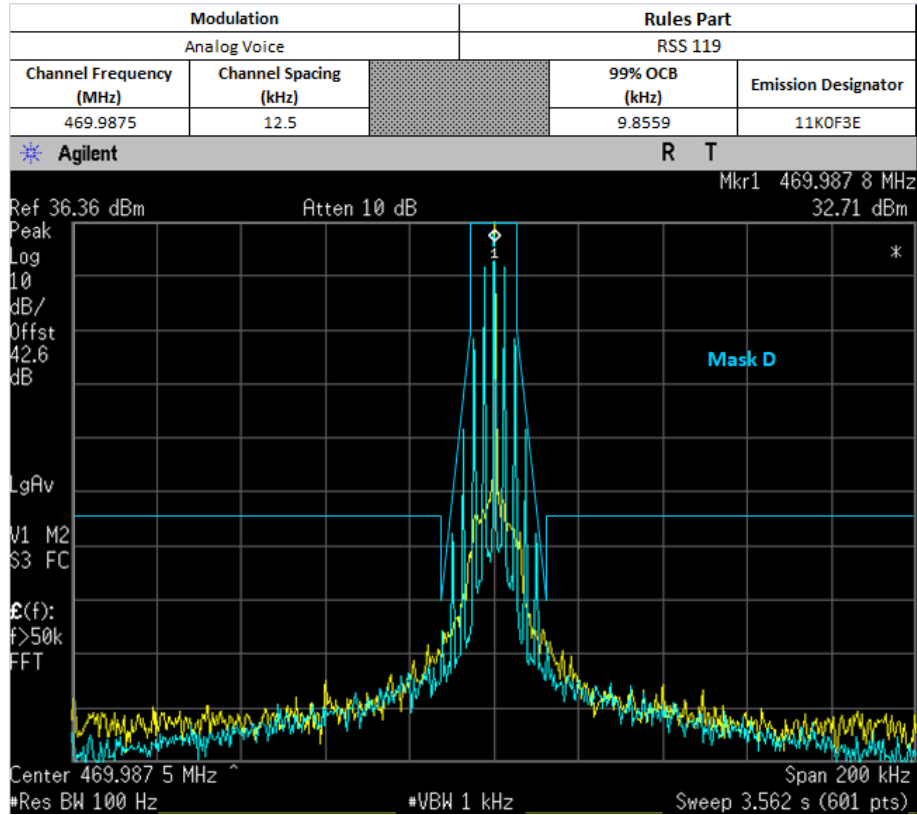


Not for FCC review

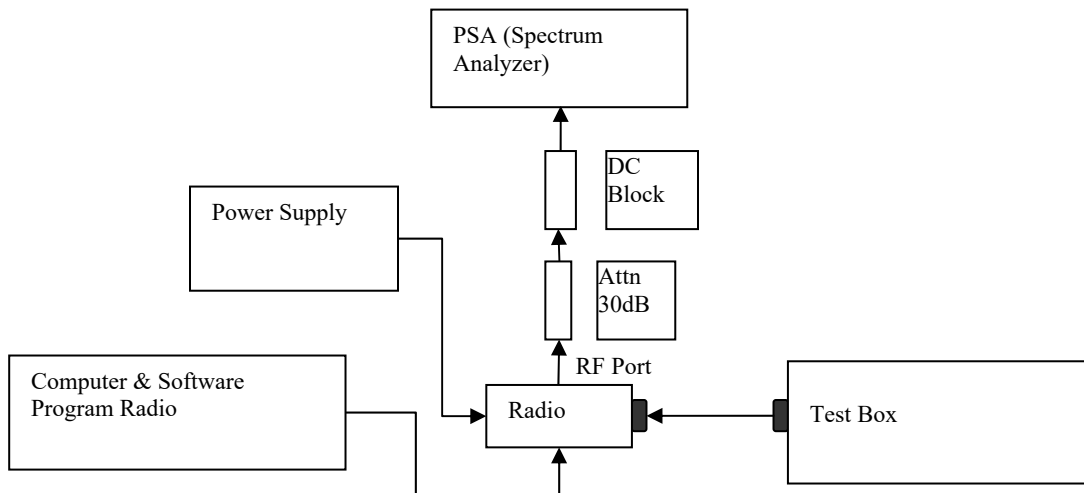




Not for FCC review



6.5.3. Test Setup (Digital)



- 1) Program and set radio to operate in desire test frequency and digital mode with modulation. (*4FSK, C4FM or other digital modulation form).
- 2) Path loss for the measurement included.
- 3) Select the Occupied Bandwidth measurement for 99% Emissions Bandwidth Measurement.
- 4) Key in the Fc and Resolution Bandwidth (1 ~ 5 % of emission designator).
- 5) Transmit the DUT and record the occupied Bandwidth frequency.
- 6) Preset the spectrum analyzer for modulation emission spectrum measurement.
- 7) Set the span and Resolution Bandwidth (according to FCC/ ISED standard).
- 8) Capture the screen shot as modulated signal.

* 99% Bandwidth measurement is computed by the spectrum analyzer and is consistent with the C63.26 5.4.4 method.

*Note:

- For Digital Modulation, 12.5 kHz Data F1D & FXD would be the same. Therefore only measurements with F1D modulation shown below.
- For Digital Modulation, 12.5 kHz Data F1E & FXE would be the same. Therefore only measurements with F1E modulation shown below.

6.5.4. Test Result (Digital)

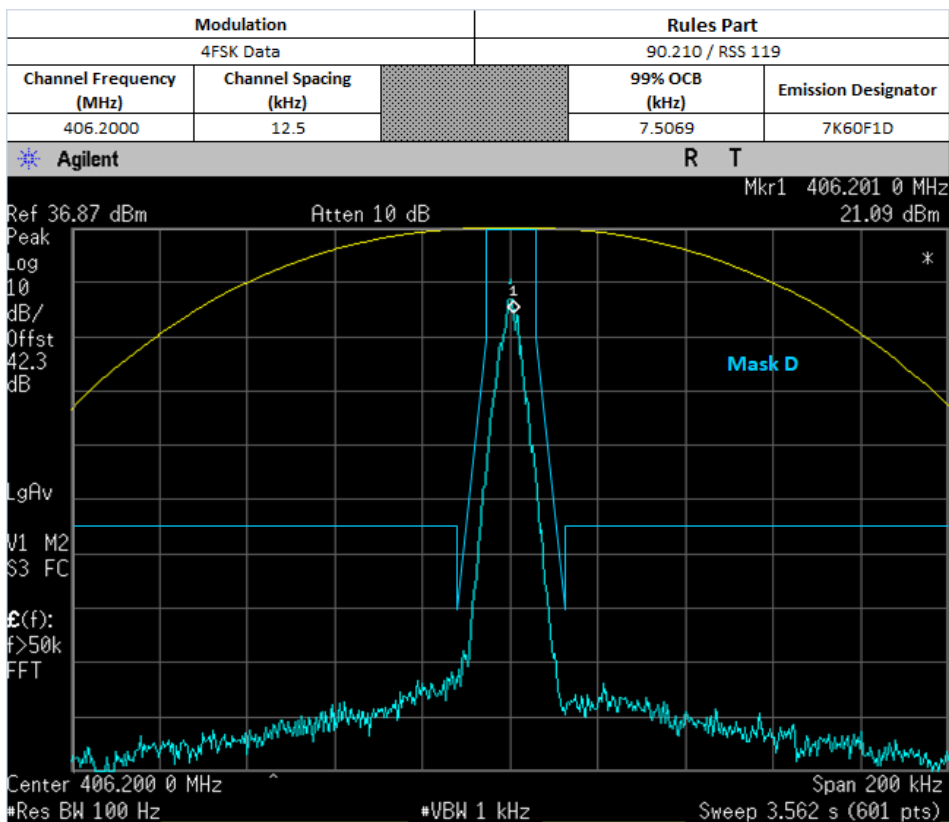
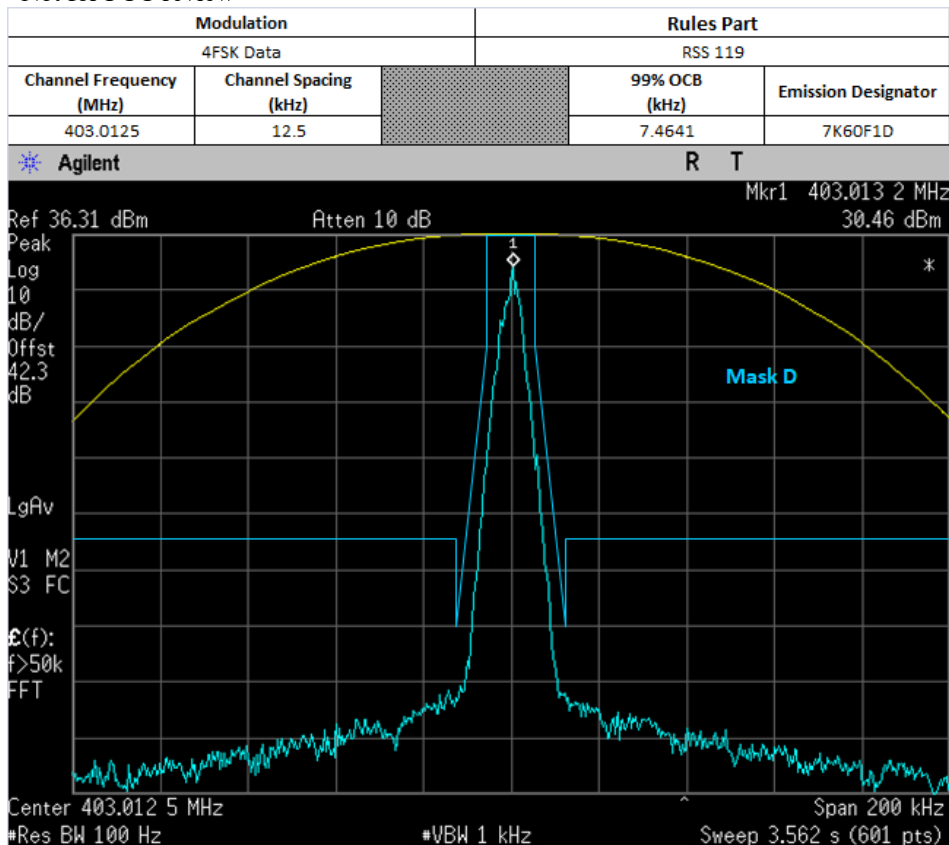
Digital (12.5 kHz Channelization, Digital Voice/Data/Voice+Data):
Emission Designator 7K60F1E/D/W

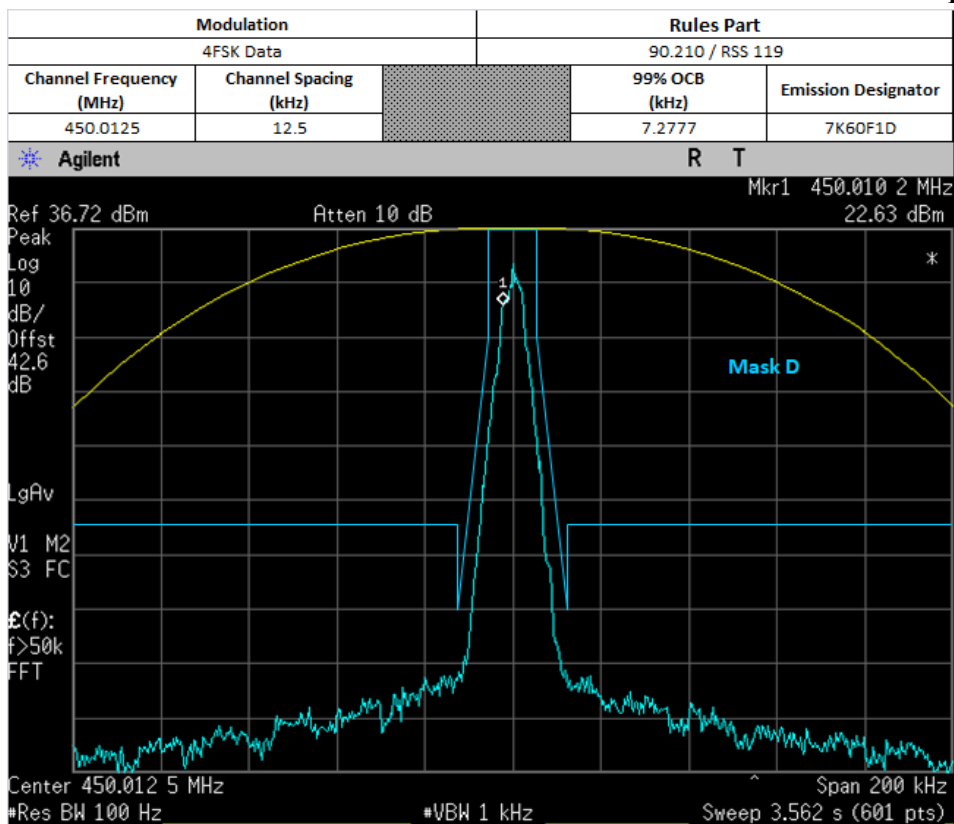
The 99% energy rule (title 47CFR 2.989) was used for digital mode and is more accurate than Carson's rule. It basically states that 99% of the modulation energy falls within X kHz, in this case, 7.60 kHz. Measurements were performed in accordance with TIA/EIA TSB102.CAAB Section 2.2.5.2. The emission mask was obtained from 47CFR 90.210(d).

F1E/D/W portion of the designator indicates digital voice/data/voice+data.

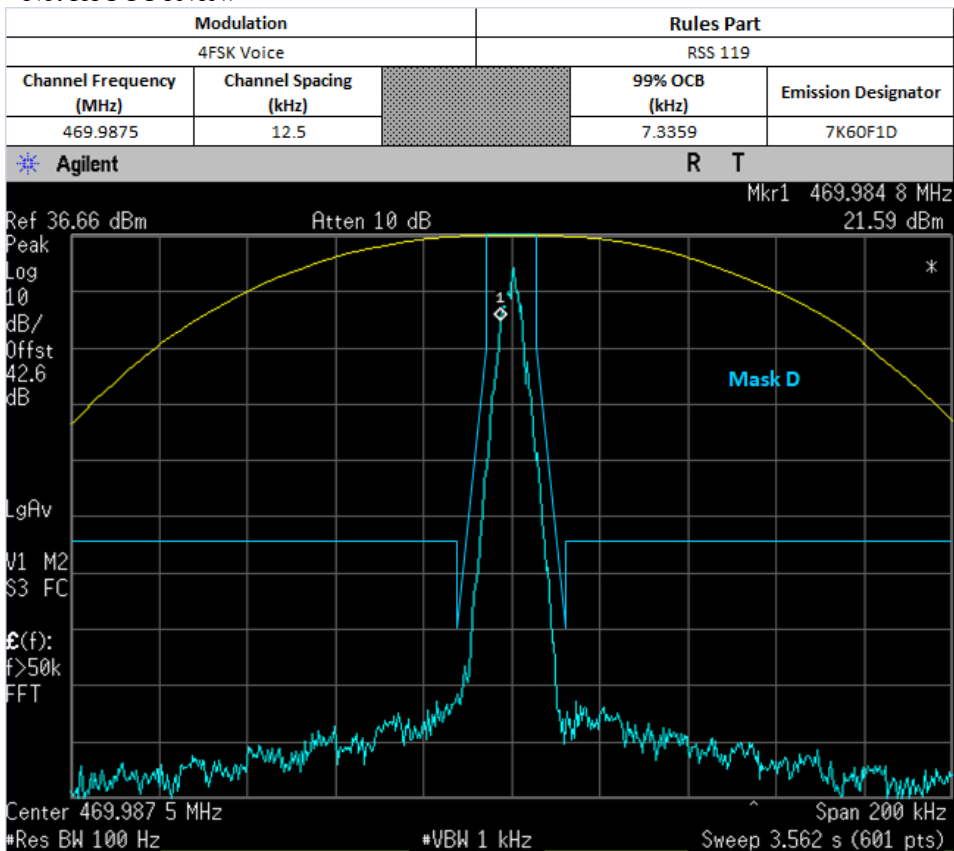
Therefore, the entire designator for 12.5 kHz channelization digital voice is 7K60F1E/D/W.

Not for FCC review

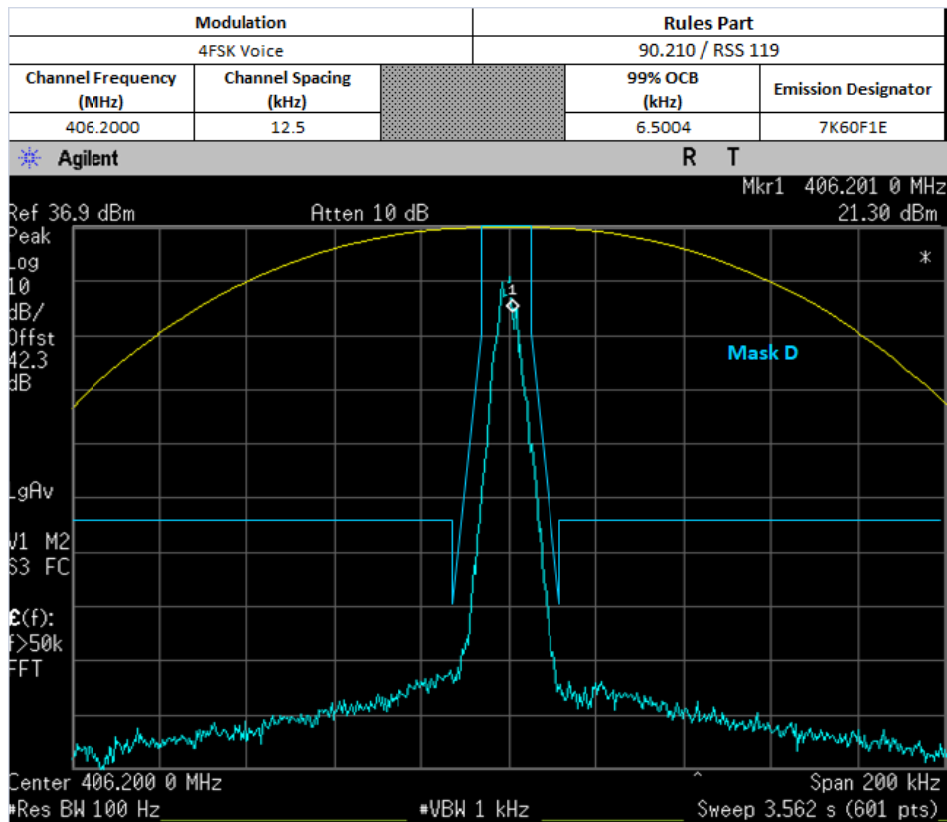
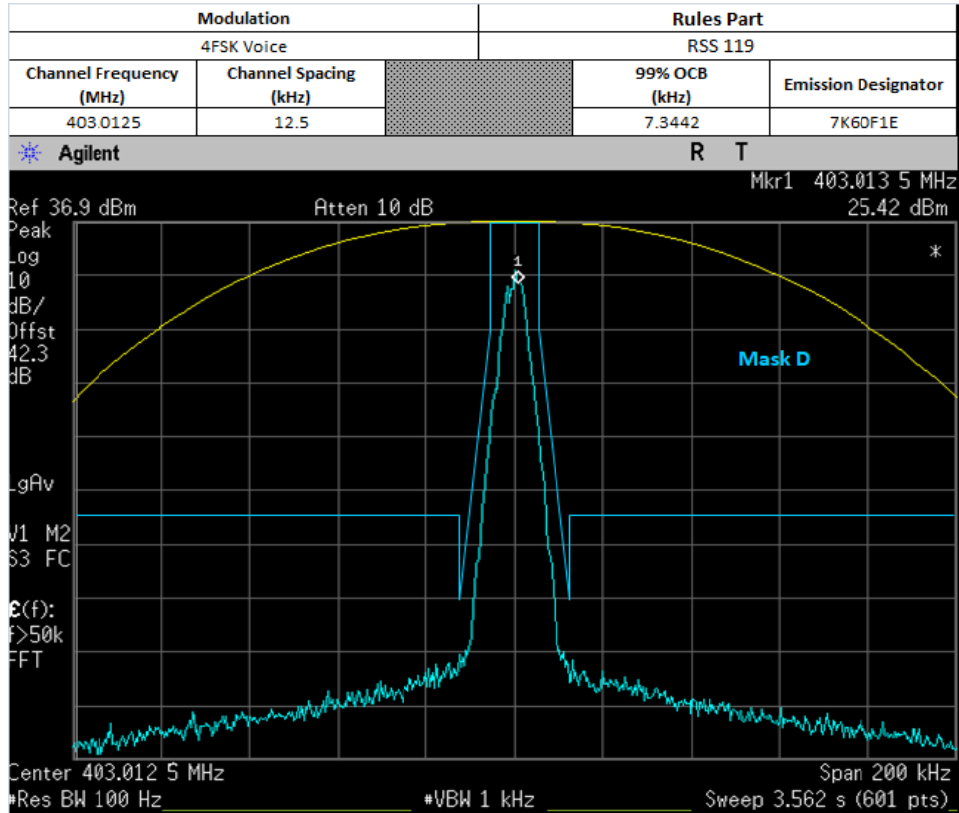


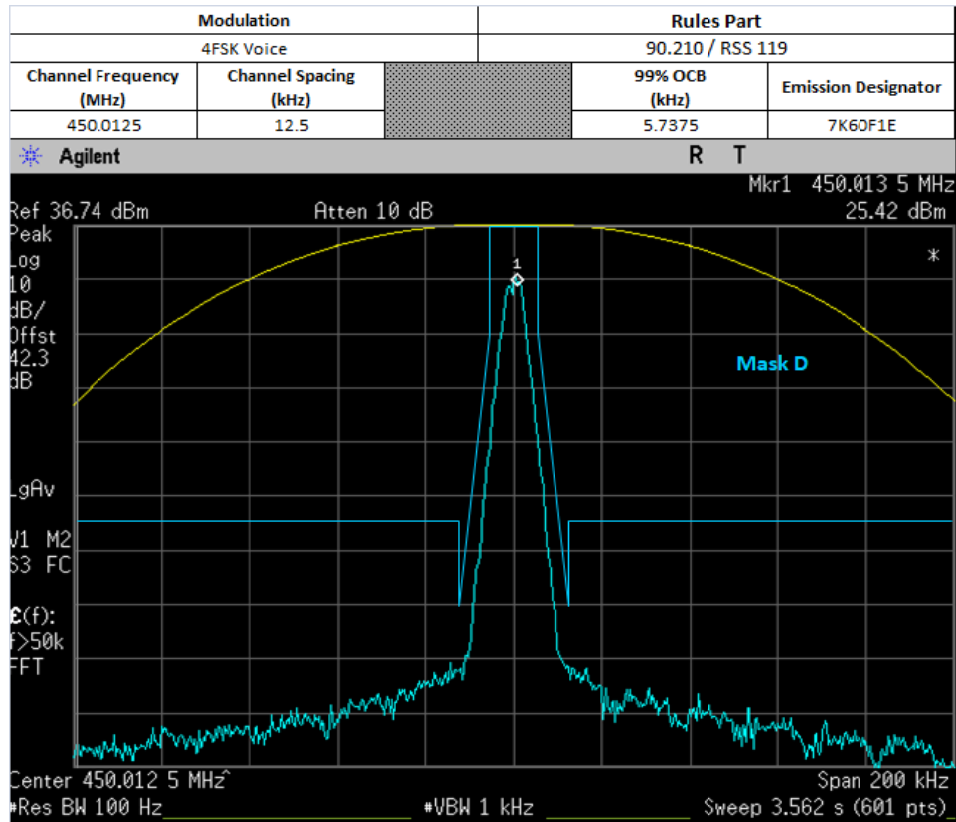


Not for FCC review

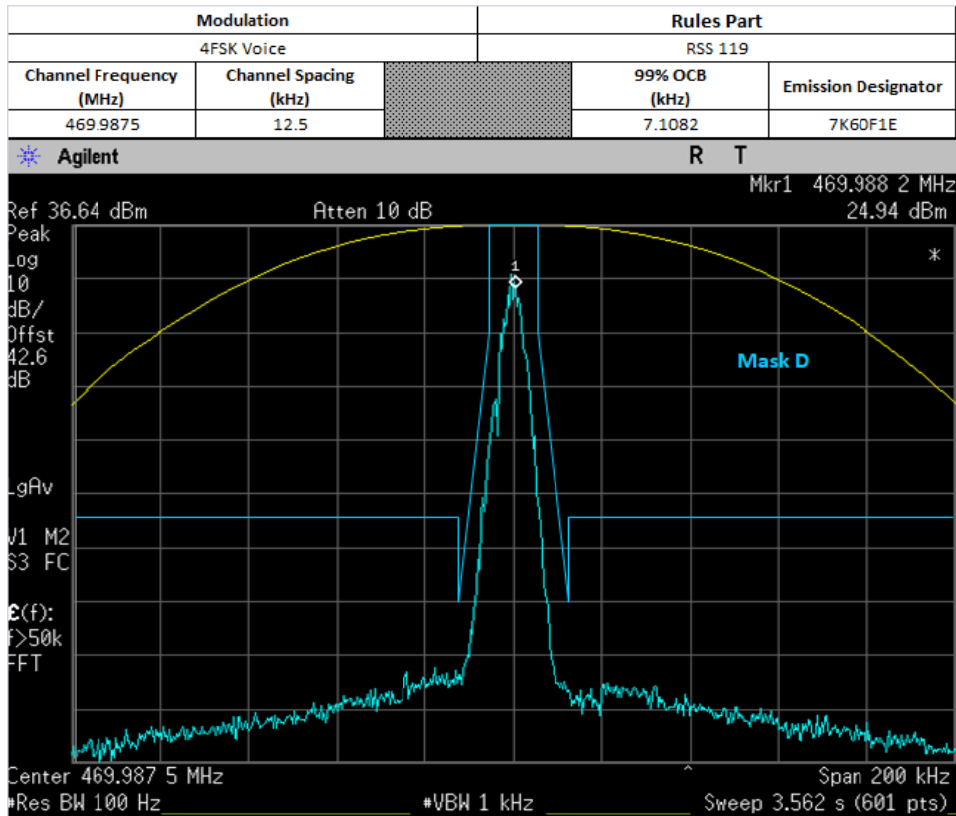


Not for FCC review

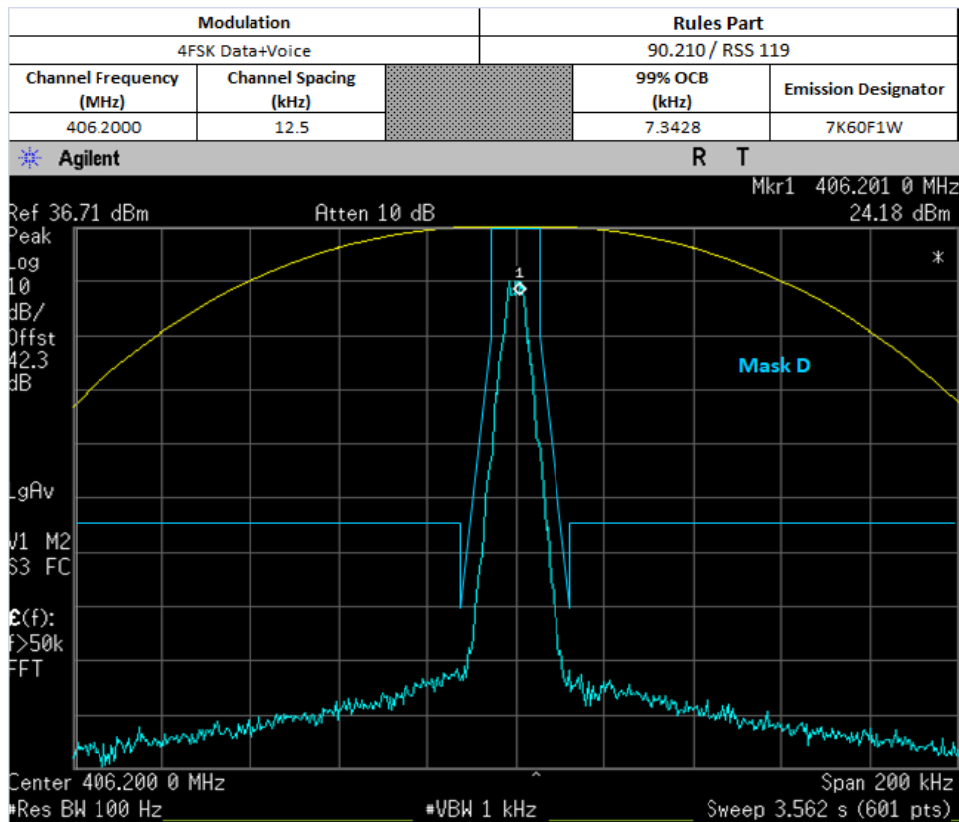
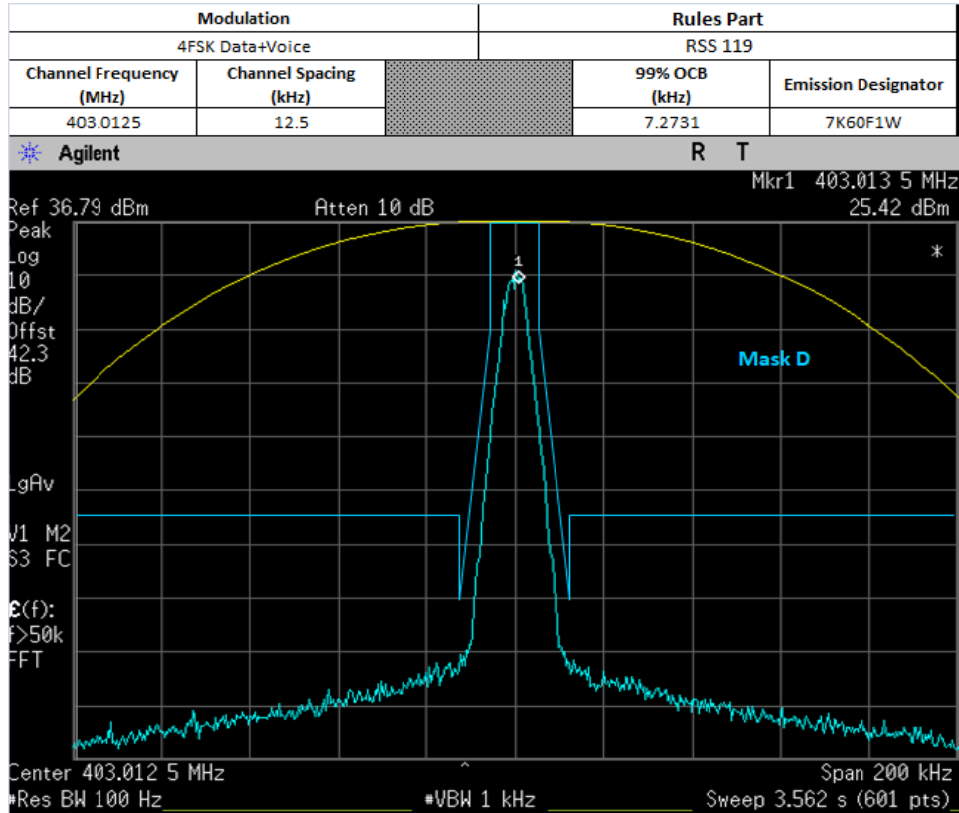


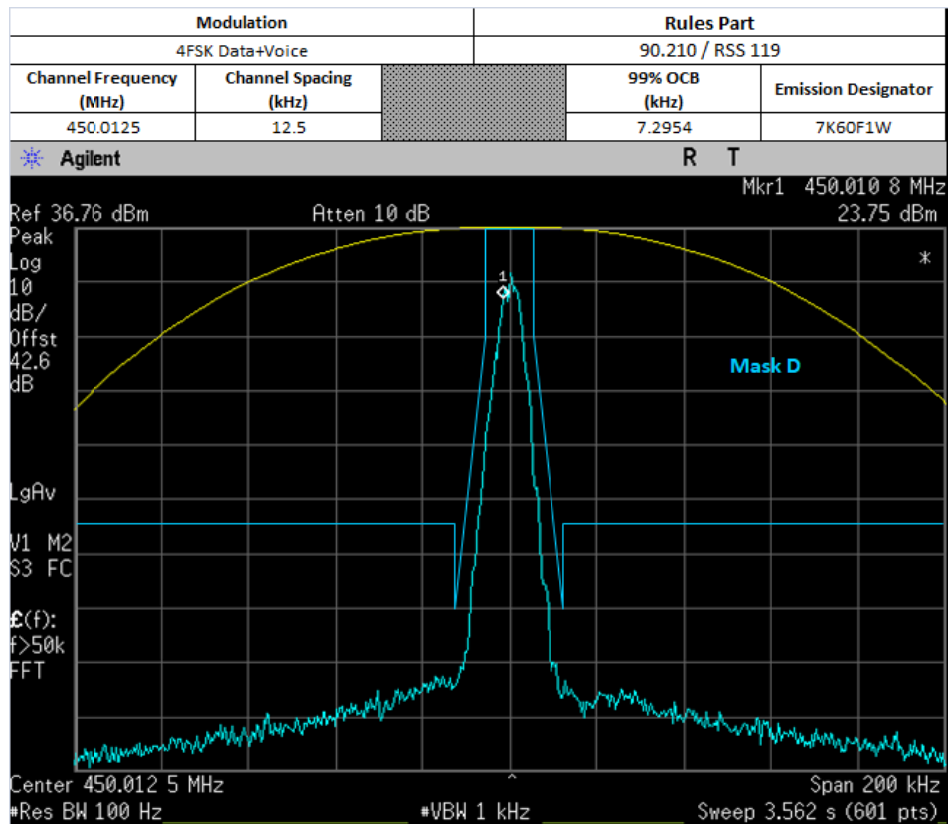


Not for FCC review

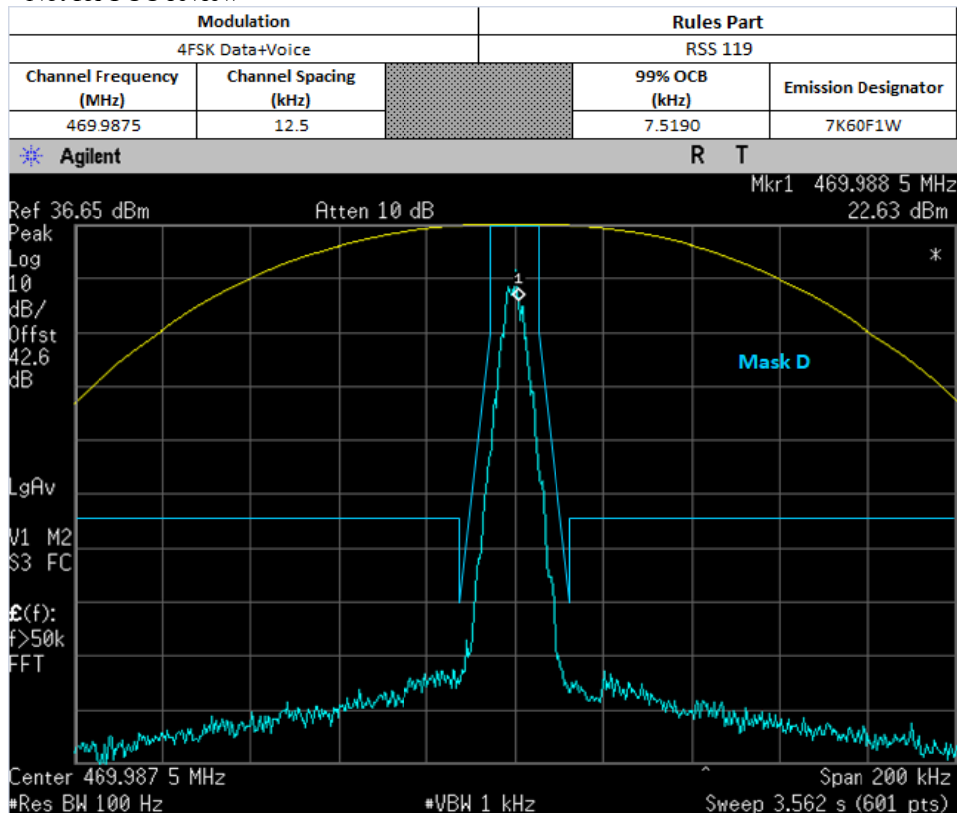


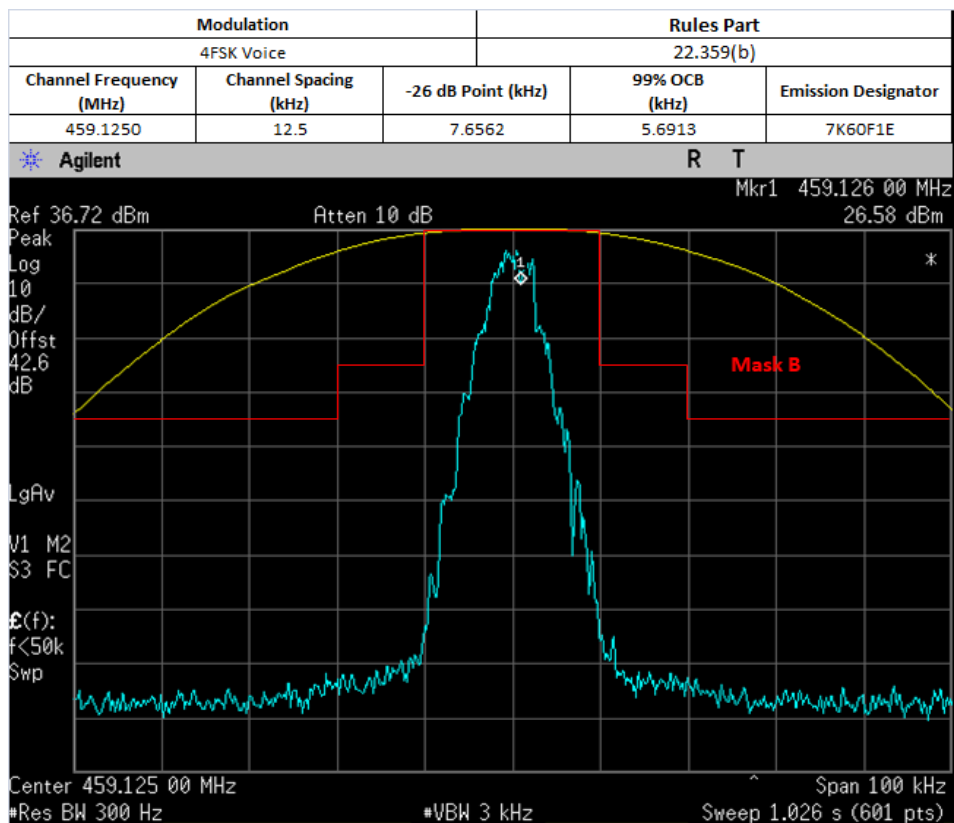
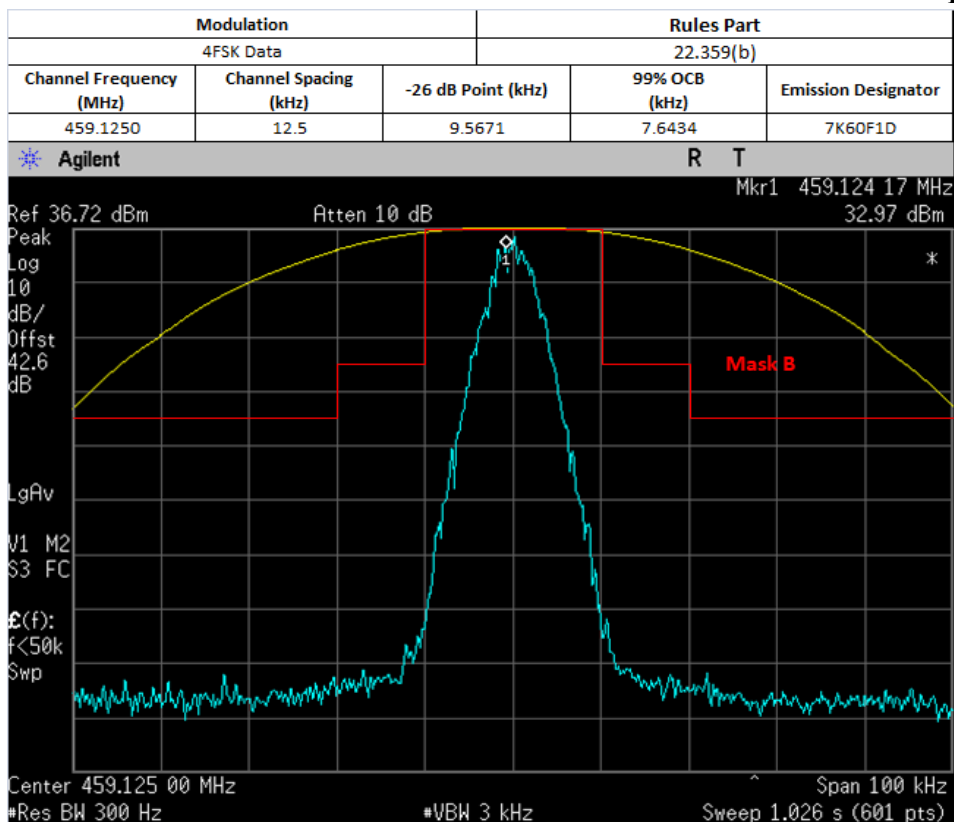
Not for FCC review

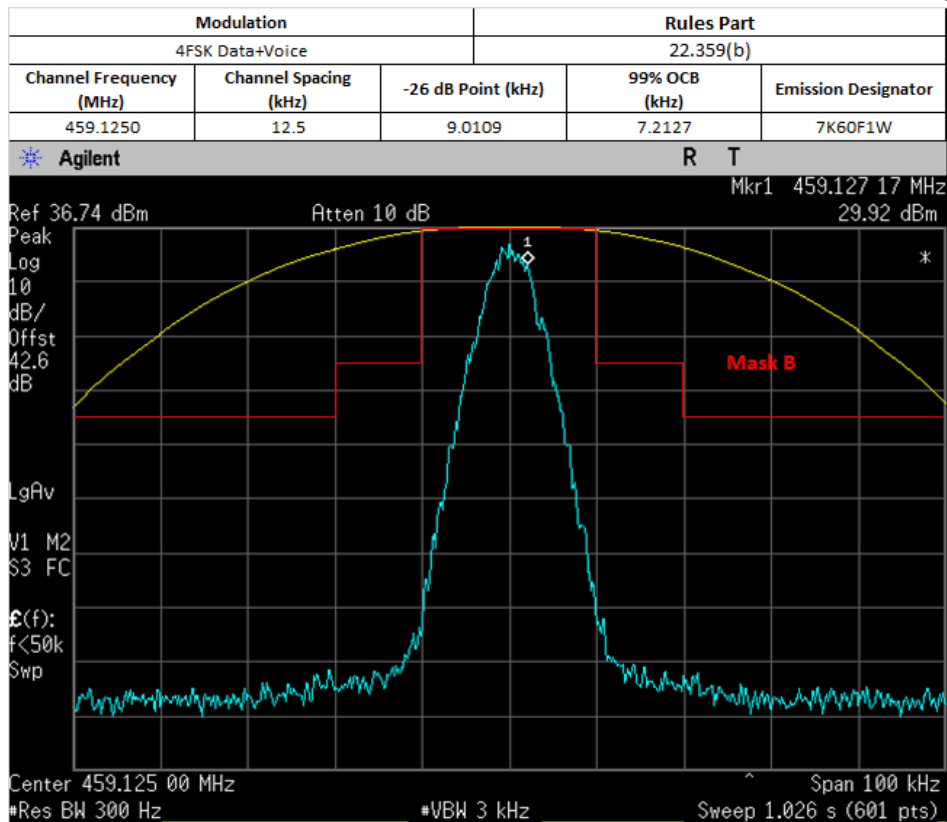




Not for FCC review





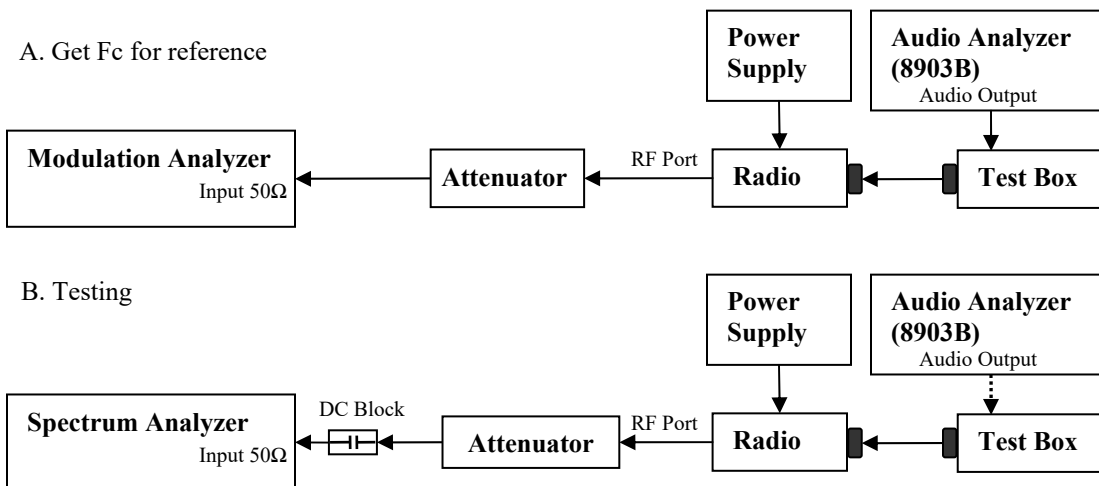


6.5.5. Test Limit

The 99% occupied bandwidth is the width of a frequency band such that, below the lower and above the upper frequency limits, the mean powers emitted are each equal to a specified percentage 0.5% of the total mean transmitted power.

6.6. Band Edge Conducted Spurious Emission (Part 22)

6.6.1. Test Setup (Analog)



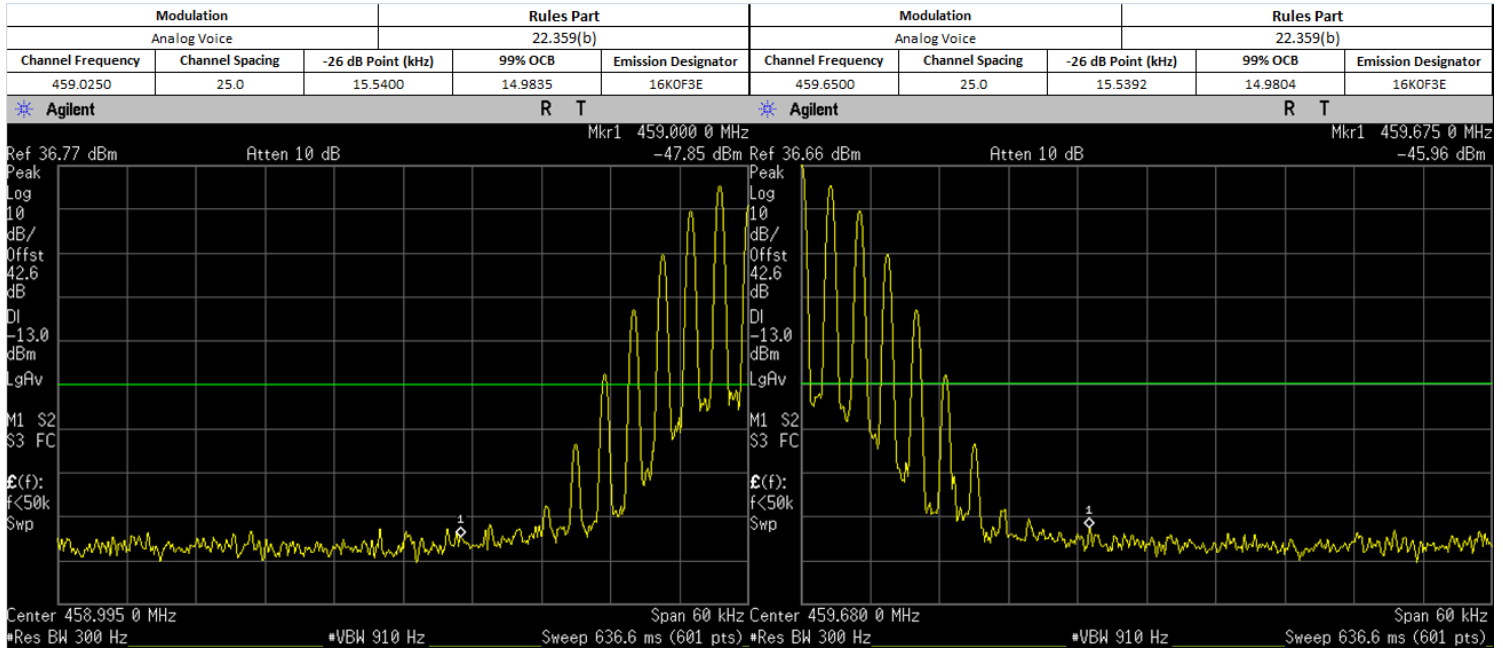
- 1) The DUT transmitter output port was connected to Modulation Analyzer.
- 2) Set the audio bandwidth filter to 15 kHz low pass filter and 50 kHz high pass filter.
- 3) Transmit the radio and set the audio analyzer to 2.5 kHz audio frequency and 50% of the rated deviation. Up the amplitude by 16 dB. Dekey the DUT.
- 4) Path loss for the measurement included.
- 5) Select the Occupied Bandwidth measurement for 99% and 26dB Emissions Bandwidth Measurement.
- 6) Key in the Fc and Resolution Bandwidth.
- 7) Transmit the DUT and record the occupied Bandwidth frequencies.
- 8) Preset the spectrum analyzer for band edge measurement.
- 9) The band edges of lowest and highest channels were measured.
- 10) Key in the Lowest and highest channel frequency, span is 60 kHz and Resolution Bandwidth is at least 1% of Emission Bandwidth.
- 11) Save the screen shot as modulated signal.
- 12) Remove the audio tone from audio analyzer to capture unmodulated signal.

*Note:

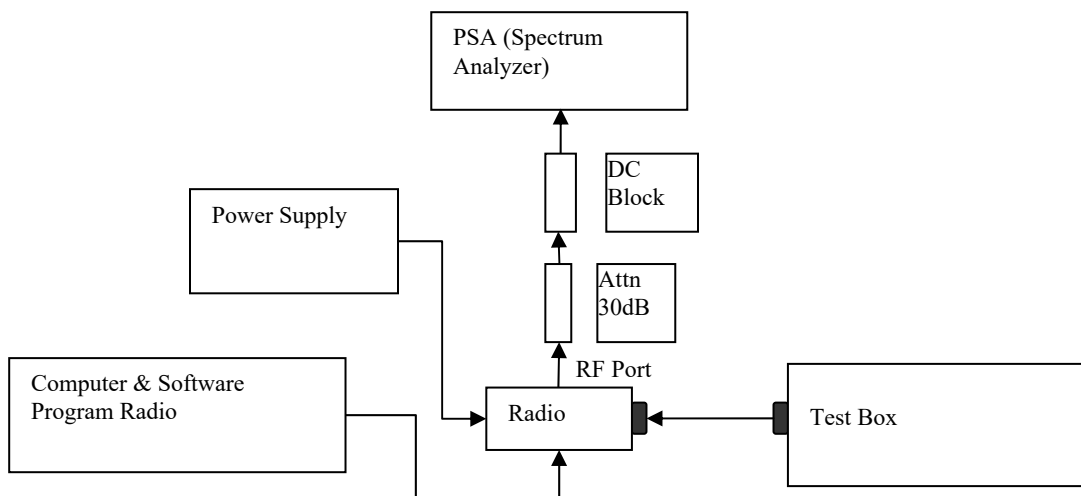
- For emission designator ending with F3E, 16K0F3E is the worst case and therefore only 16K0F3E will be shown.

6.6.2. Test Result (Analog)

MAX POWER



6.6.3. Test Setup (Digital)



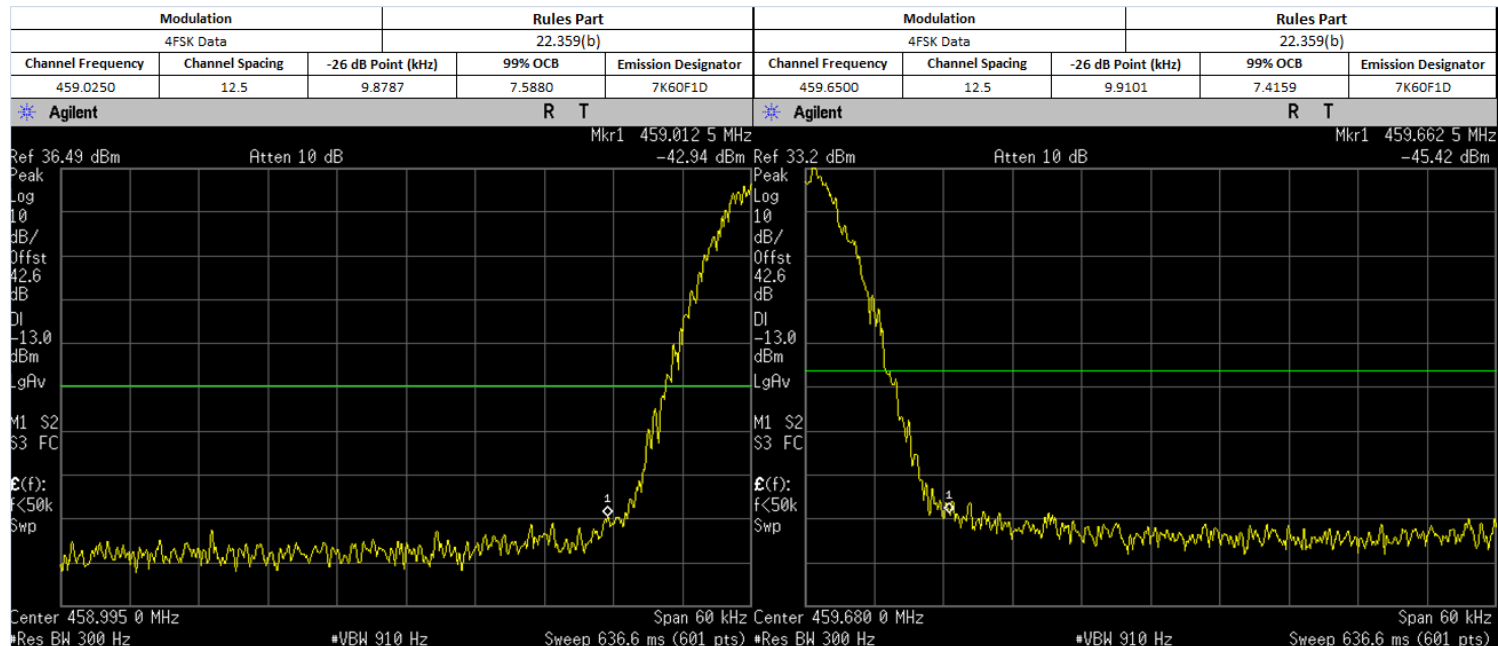
- 1) Program and set radio to operate in desire test frequency and digital mode with modulation. (*4FSK, C4FM or other digital modulation form).
- 2) Path loss for the measurement included.
- 3) Select the Occupied Bandwidth measurement for 99% and 26dB Emissions Bandwidth Measurement.
- 4) Key in the Fc and Resolution Bandwidth.
- 5) Transmit radio record the occupied Bandwidth frequencies.
- 6) Preset the spectrum analyzer for band edge measurement.
- 7) Key in the lowest and highest channels frequency, span is 60 kHz and Resolution Bandwidth is at least 1% of Emission Bandwidth.
- 8) Save the screen shot.

*Note:

- For Digital Modulation, 12.5 kHz Data F1D & FXD would be the same. Therefore only measurements with F1D modulation shown below.
- For Digital Modulation, 12.5 kHz Data F1E & FXE would be the same. Therefore only measurements with F1E modulation shown below.

6.6.4. Test Result (Digital)

MAX POWER

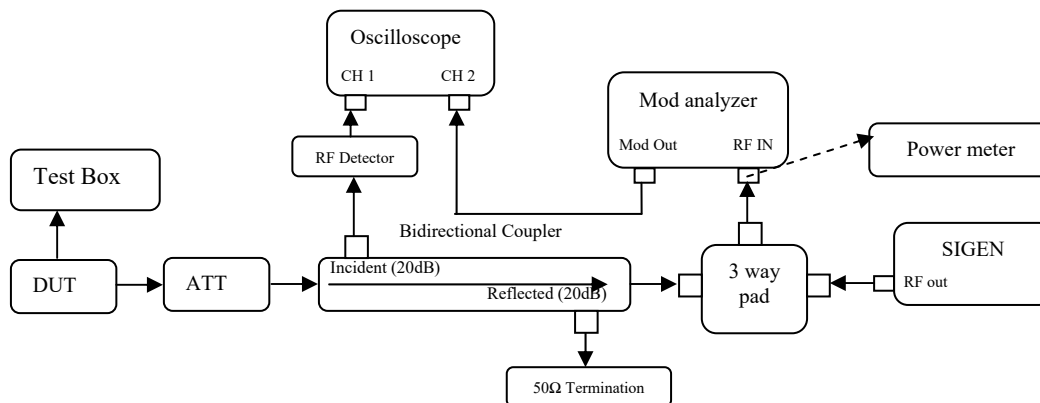


6.6.5. Test Limit

The power of any emission outside of the authorized operating frequency ranges must be attenuated below the transmitting power (P) by a factor of at least $43 + 10 \log(P)$ dB.

6.7. Transient Frequency Behavior

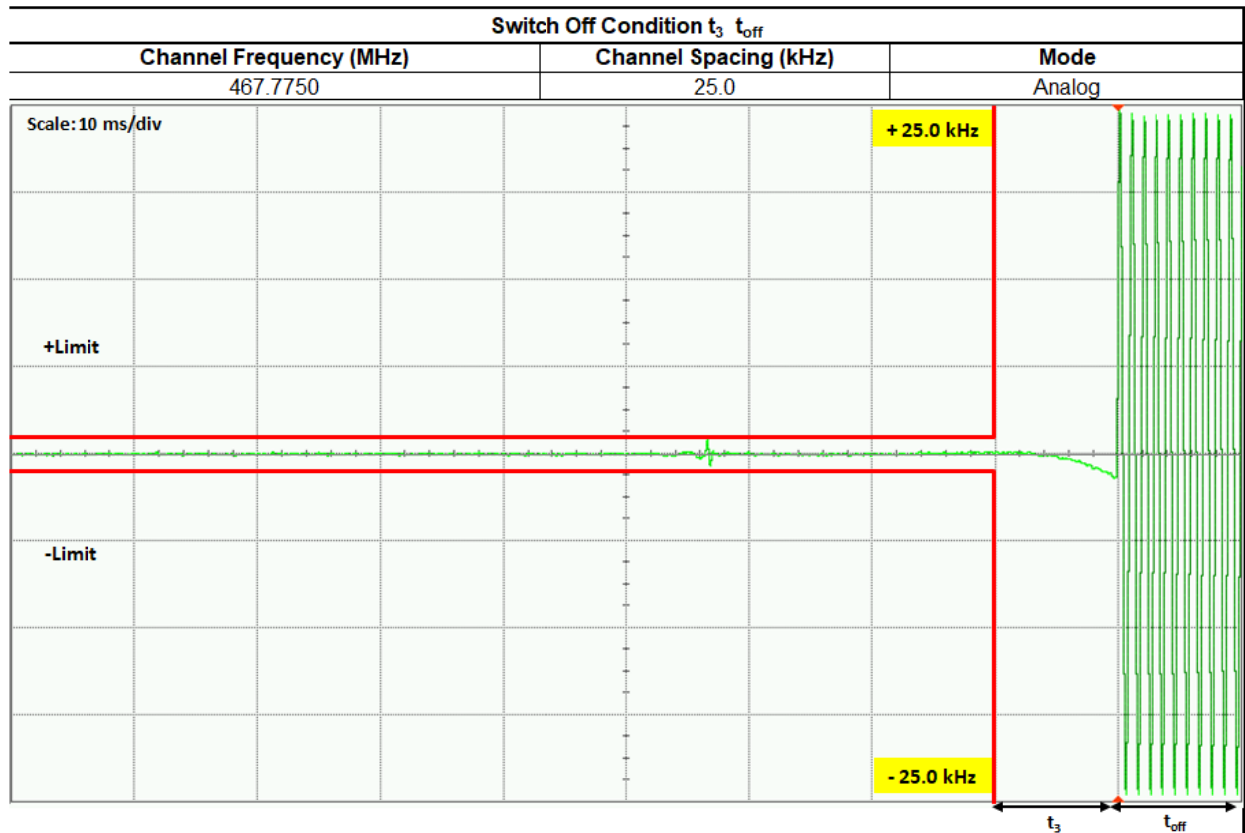
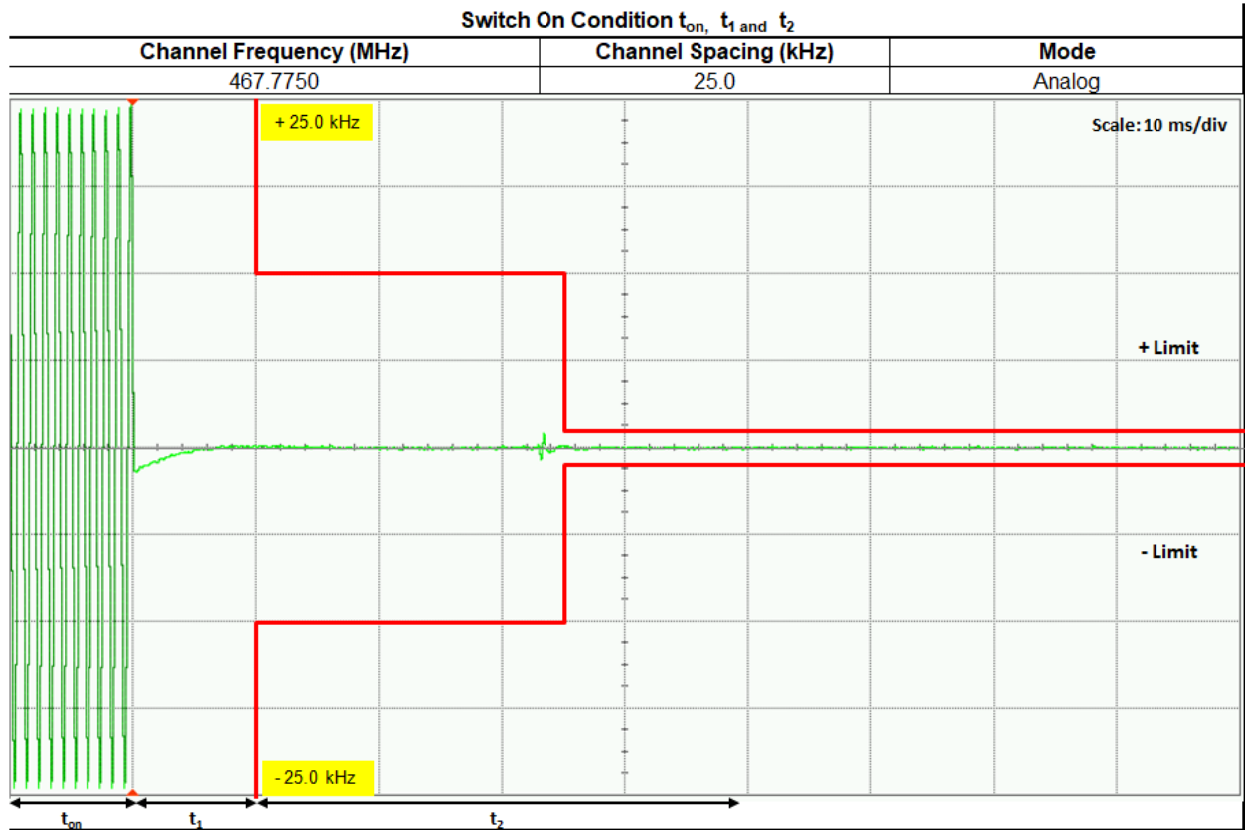
6.7.1. Test Setup

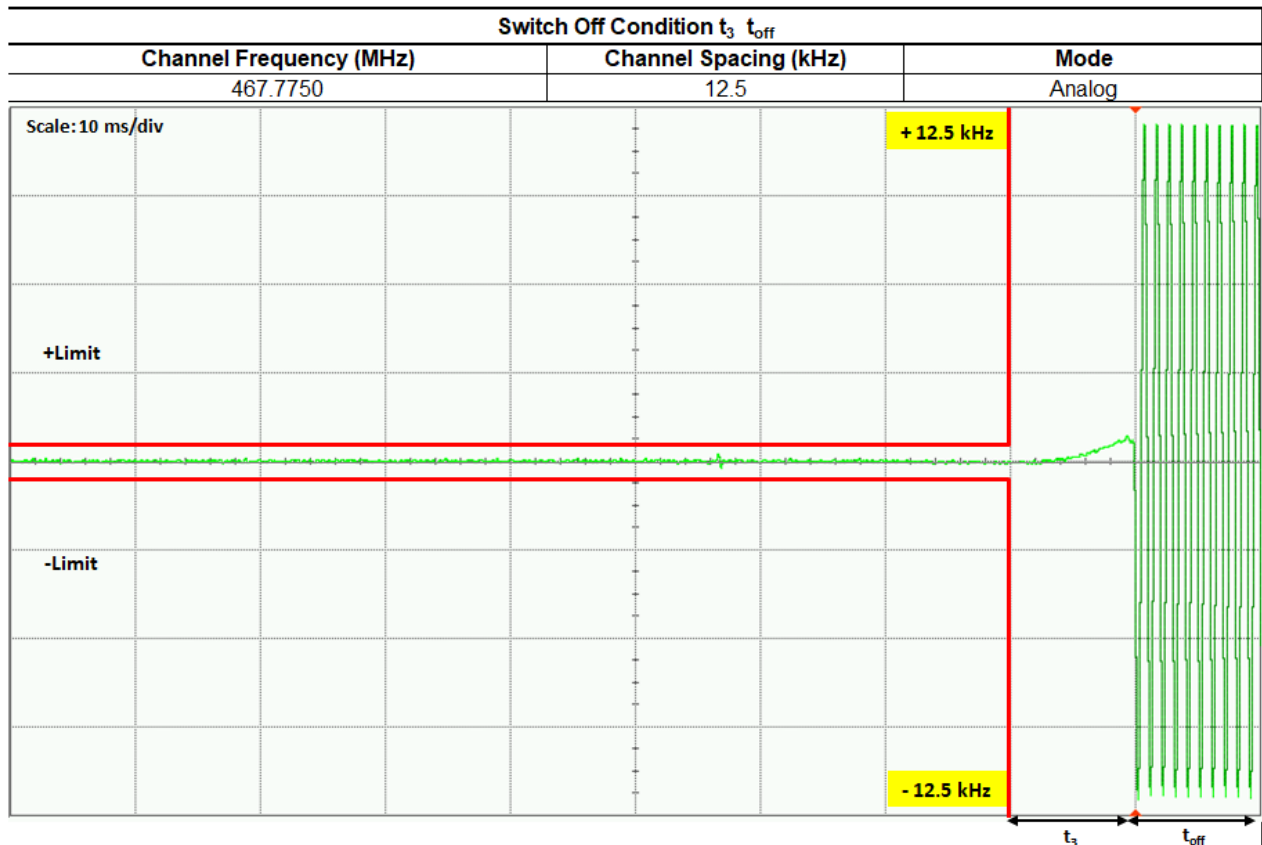
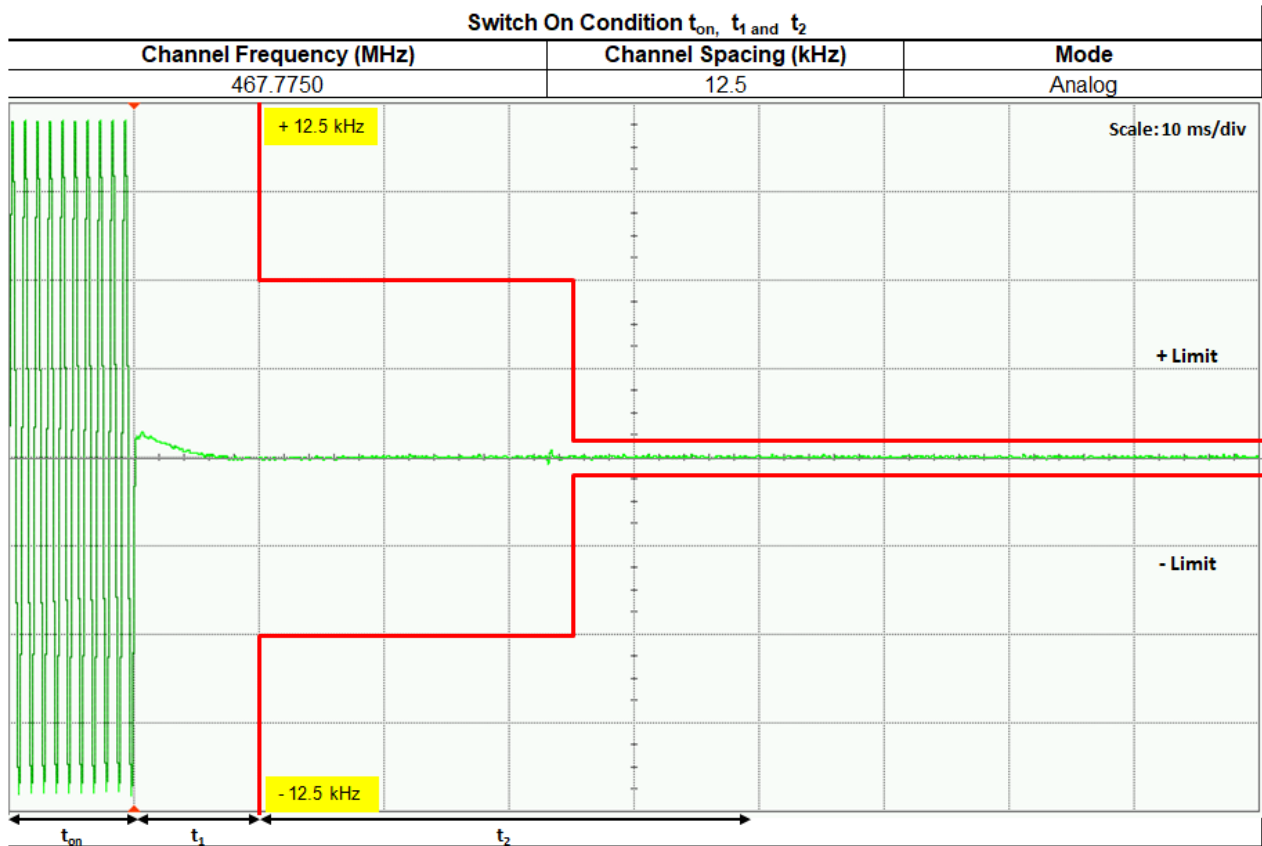


- 1) Connect the setup as figure above.
- 2) Path loss for the measurement included.
- 3) Set on Siggen with the assigned center frequency, internal 1 kHz FM tone.
FM Deviation: Analog 25kHz Channel Spacing = 25 kHz
Analog 12.5 kHz Channel Spacing = 12.5 kHz
C4FM = 12.5 kHz
- 4) Turn on 50 kHz high pass filter and 15 kHz low pass filter on modulation analyzer.
- 5) Supply sufficient attenuation ATT to provide the output power of $\leq -11\text{dBm}$ into power meter when DUT is keying up.
- 6) Note the power level on power meter and dekey the DUT.
- 7) Adjust the amplitude of the signal generator to the level power meter, maintained the amplitude throughout the rest of the measurement.
- 8) Connect the output to modulation analyzer.
- 9) Reduce 30dB attenuation and transmit the radio to get the trigger line.
- 10) Capture the screen shot for key-up (rising edge) and de-key (falling edge) mode.

6.7.2. Test Result

Not for FCC review





6.7.3. Test Limit

Transmitters designed to operate in the 150-174 MHz and 421-512 MHz frequency bands must maintain transient frequencies within the maximum frequency difference limits during the time intervals indicated:

Time intervals ^{1 2}	Maximum frequency difference ³	All equipment	
		150 to 174 MHz	421 to 512 MHz
Transient Frequency Behavior for Equipment Designed to Operate on 25 kHz Channels			
t ₁ ⁴	±25.0 kHz	5.0 ms	10.0 ms
t ₂	±12.5 kHz	20.0 ms	25.0 ms
t ₃ ⁴	±25.0 kHz	5.0 ms	10.0 ms
Transient Frequency Behavior for Equipment Designed to Operate on 12.5 kHz Channels			
t ₁ ⁴	±12.5 kHz	5.0 ms	10.0 ms
t ₂	±6.25 kHz	20.0 ms	25.0 ms
t ₃ ⁴	±12.5 kHz	5.0 ms	10.0 ms
Transient Frequency Behavior for Equipment Designed to Operate on 6.25 kHz Channels			
t ₁ ⁴	±6.25 kHz	5.0 ms	10.0 ms
t ₂	±3.125 kHz	20.0 ms	25.0 ms
t ₃ ⁴	±6.25 kHz	5.0 ms	10.0 ms

¹ t_{on} is the instant when a 1 kHz test signal is completely suppressed, including any capture time due to phasing.

t₁ is the time period immediately following t_{on}.

t₂ is the time period immediately following t₁.

t₃ is the time period from the instant when the transmitter is turned off until t_{off}.

t_{off} is the instant when the 1 kHz test signal starts to rise.

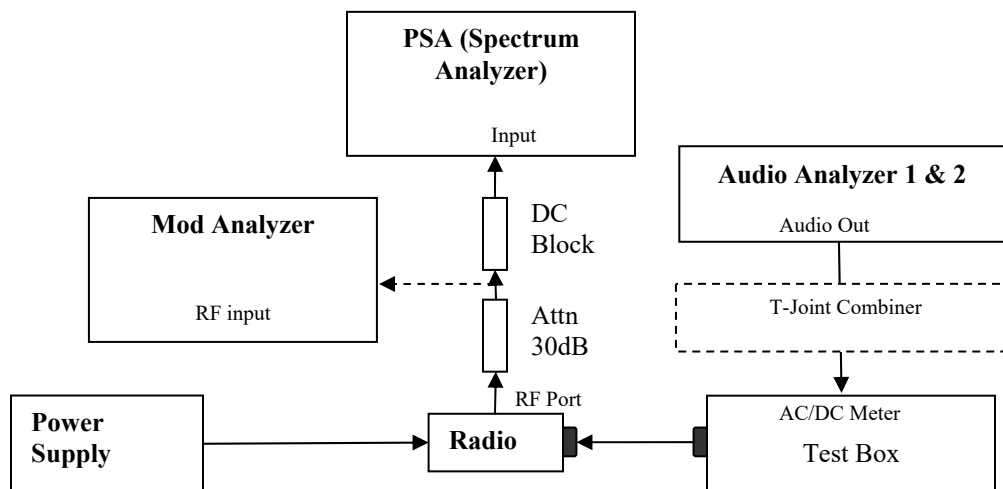
² During the time from the end of t₂ to the beginning of t₃, the frequency difference must not exceed the limits specified in §90.213.

³ Difference between the actual transmitter frequency and the assigned transmitter frequency.

⁴ If the transmitter carrier output power rating is 6 watts or less, the frequency difference during this time period may exceed the maximum frequency difference for this time period.

6.8. Adjacent Channel Power

6.8.1. Test Setup (Analog)

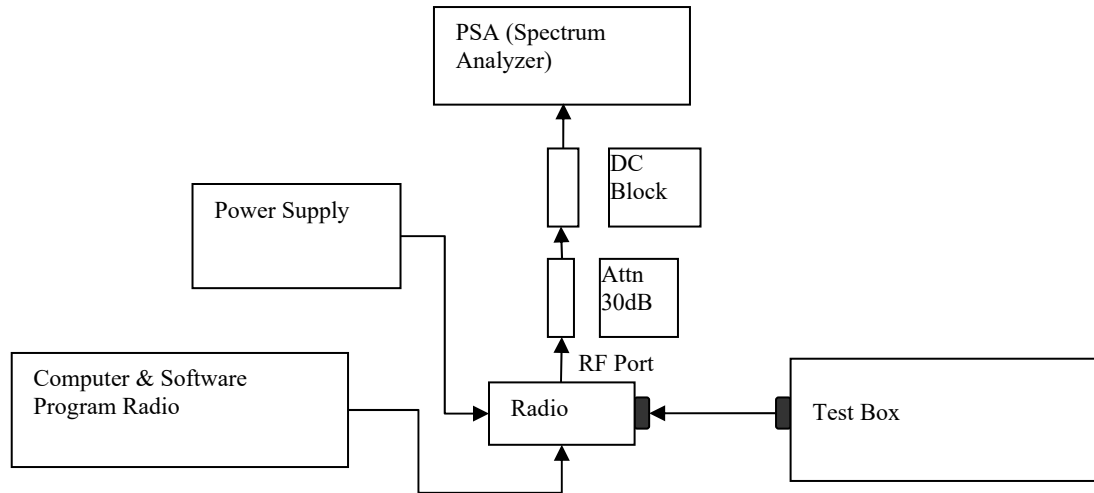


- 1) The DUT transmitter output port was connected to modulation analyzer.
- 2) Transmit the radio and turn on 1st audio analyzer with audio frequency 650Hz, 50% rated deviation, and record the amplitude value as AmpT1.
- 3) Turn off Audio analyzer 1 and turn on audio analyzer 2, set the audio frequency to 2.2 kHz and 50% deviation. Record the amplitude as AmpT2.
- 4) Turn both audio analyzers ON and up 10dB amplitude level.
- 5) Connect the output to PSA and set to assigned center frequency.
- 6) Set Span, Resolution Bandwidth and Video Bandwidth per rules part.
- 7) Transmit the radio and record the Adjacent Channel Power value in dBc.

6.8.2. Test Result

Not Applicable.

6.8.3. Test Setup (Digital)



- 1) Program and set radio to operate in desire test frequency and digital mode with modulation. (4FSK, C4FM or other digital modulation form).
- 2) Prepare setup as per picture.
- 3) Turn on the ACP Measurement – Press Measure, ACP.
- 4) Set Span, Resolution Bandwidth and Video Bandwidth as per rules part.
- 5) Transmit the radio and record the Adjacent Channel Power value in dBc.

6.8.4. Test Result

Not Applicable.

6.8.5. Test Limit

12.5 kHz MOBILE TRANSMITTER ACP REQUIREMENTS

Offset from center frequency (kHz)	Measurement bandwidth (kHz)	Maximum ACP relative (dBc)
9.375	6.25	-40
15.625	6.25	-60
21.875	6.25	-60
37.50	25.00	-60
62.50	25.00	-65
87.50	25.00	-65
150.00	100	-65
250.00	100	-65
350.00	100	-65
>400 to 12 MHz	30 (s)	-75
12 MHz to paired receive band	30 (s)	-75
In the paired receive band	30 (s)	-100

25 kHz MOBILE TRANSMITTER ACP REQUIREMENTS

Offset from center frequency (kHz)	Measurement bandwidth (kHz)	Maximum ACP relative (dBc)
15.625	6.25	-40
21.875	6.25	-60
37.50	25	-60
62.50	25	-65
87.50	25	-65
150.00	100	-65
250.00	100	-65
350.00	100	-65
>400 kHz to 12 MHz	30 (s)	-75
12 MHz to paired receive band	30 (s)	-75
In the paired receive band	30 (s)	-100

12.5 kHz BASE TRANSMITTER ACP REQUIREMENTS

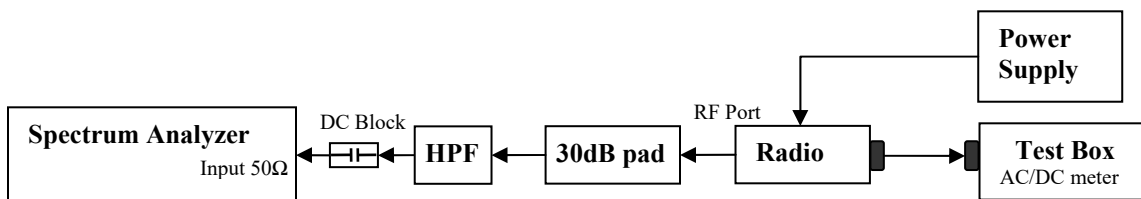
Offset from center frequency (kHz)	Measurement bandwidth (kHz)	Maximum ACP (dBc)
9.375	6.25	-40
15.625	6.25	-60
21.875	6.25	-60
37.5	25	-60
62.5	25	-65
87.5	25	-65
150	100	-65
250	100	-65
350.00	100	-65
>400 kHz to 12 MHz	30 (s)	-80
12 MHz to paired receive band	30 (s)	-80
In the paired receive band	30 (s)	¹ -85

25 kHz BASE TRANSMITTER ACP REQUIREMENTS

Offset from center frequency (kHz)	Measurement bandwidth (kHz)	Maximum ACP (dBc)
15.625	6.25	-40
21.875	6.25	-60
37.5	25	-60
62.5	25	-65
87.5	25	-65
150	100	-65
250	100	-65
350	100.00	-65
>400 kHz to 12 MHz	30 (s)	-80
12 MHz to paired receive band	30 (s)	-80
In the paired receive band	30 (s)	¹ -85

6.9. Conducted Spurious Emission

6.9.1. Test Setup

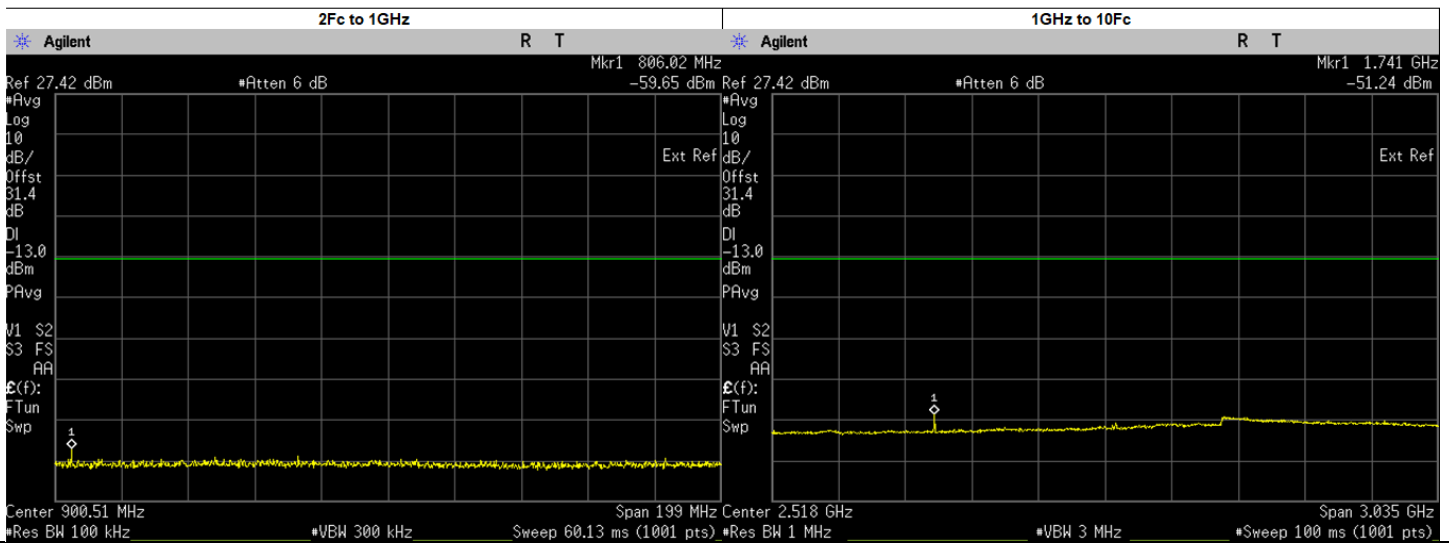
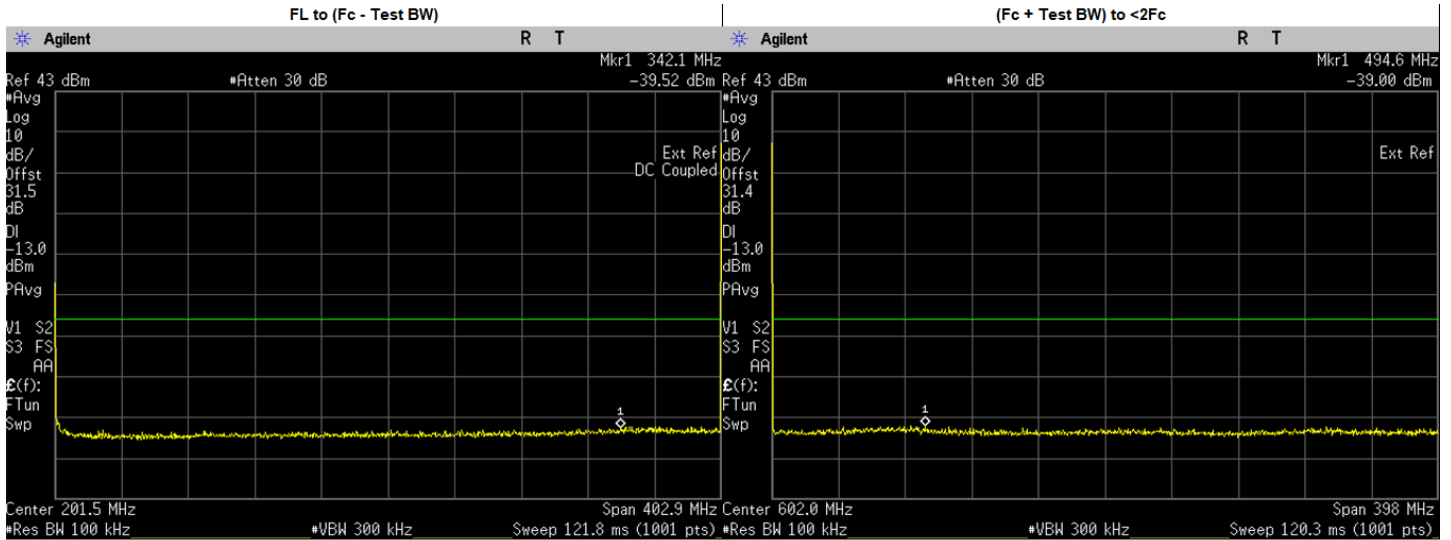


- 1) The DUT transmitter output port was connected to Spectrum Analyzer with above setup.
- 2) Program and set radio to operate in desire test frequency and mode. (Analog / digital modulation form).
- 3) Path loss for the measurement included.
- 4) Set the PSA Resolution Bandwidth as per rules part.
- 5) Set the Ref offset from the pathloss offset calibration file.
- 6) Adjust the center frequency of the spectrum analyzer for incremental coverage of the range from:
 - a. 9 KHz to $F_c - \text{Test Bandwidth}$
 - b. $F_c + \text{Test Bandwidth}$ to $2F_c - 5\text{MHz}$.
- 7) Key up the DUT, Peak Search the highest Spur and record the levels of spurious emissions
- 8) Dekey the DUT.
- 9) Turn On High Pass Filter path and Key up the DUT.
- 10) Adjust the PSA Freq for incremental coverage of range from $2F_c$ to $10F_c$
- 11) Key up the DUT and record the highest spur levels of spurious emissions.

6.9.2. Test Result (Analog)

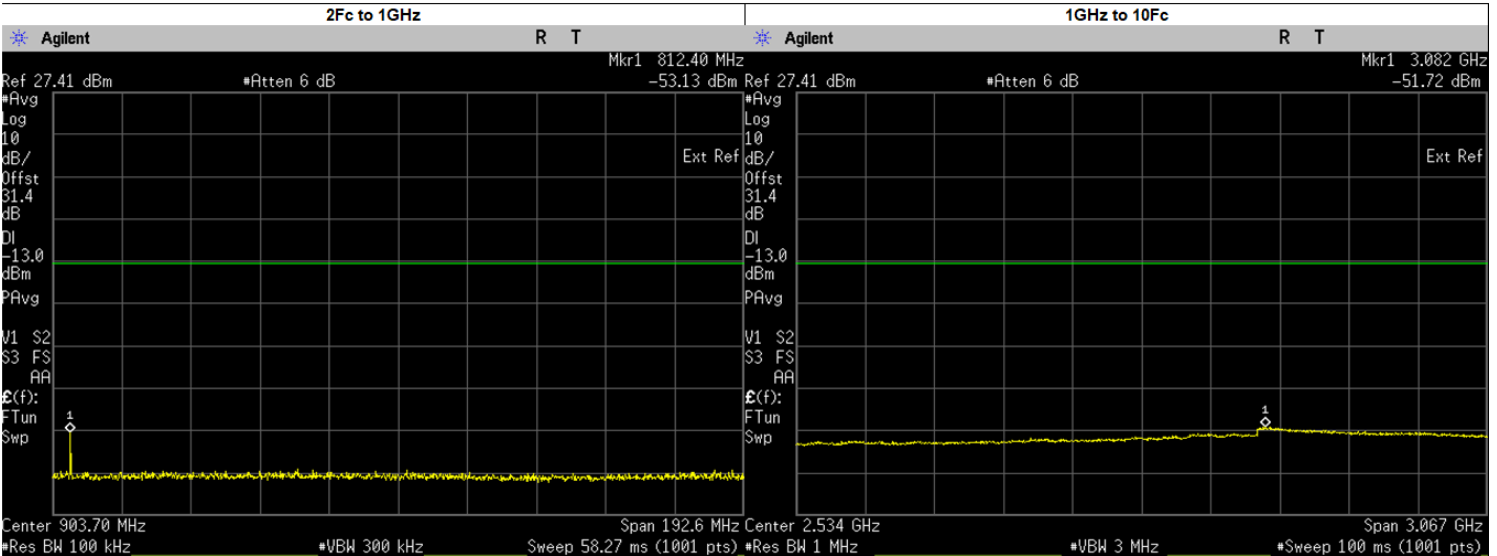
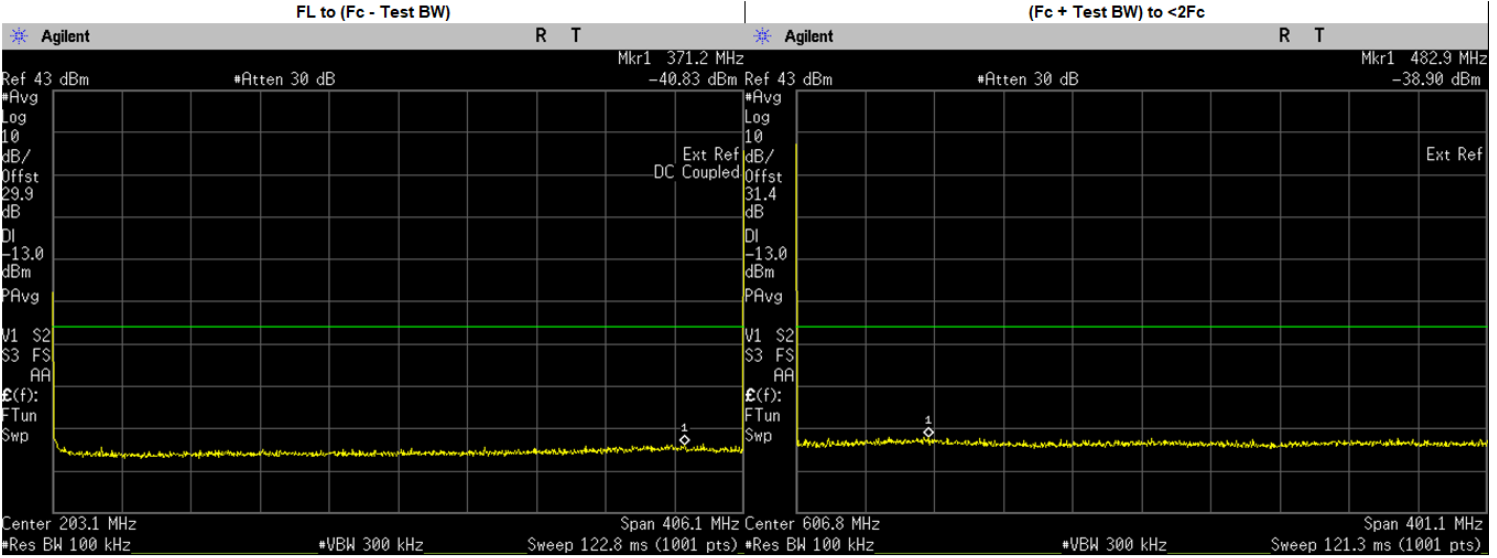
Analog: 403.0125 MHz, 25 kHz Channel Spacing, Max Power

Not for FCC review



Frequency Range	Highest Spur Frequency (MHz)	Spurious Level (dBm)	Failing Limit (dBm)	Results
FL to (Fc - Test BW)	342.1000	-39.5230	-13.00	PASS
(Fc + Test BW) to <2Fc	494.5982	-39.0000	-13.00	PASS
2Fc to 1GHz 1GHz to 10Fc	806.0250	-59.6500	-13.00	PASS
	1740.5710	-51.2400	-13.00	PASS
	1209.0370	-55.6625	-13.00	PASS
	1612.0500	-55.1892	-13.00	PASS
	2015.0620	-54.9911	-13.00	PASS
	2418.0750	-54.9208	-13.00	PASS
	2821.0880	-53.7244	-13.00	PASS
	3224.1000	-52.6671	-13.00	PASS
	3627.1130	-53.2487	-13.00	PASS
4030.1250	-53.9153	-13.00	PASS	

Analog: 406.2 MHz, 25 kHz Channel Spacing, Max Power
 Not for FCC review



Frequency Range	Highest Spur Frequency (MHz)	Spurious Level (dBm)	Failing Limit (dBm)	Results
FL to (Fc - Test BW)	371.2000	-40.8260	-13.00	PASS
(Fc + Test BW) to <2Fc	482.8742	-38.9000	-13.00	PASS
2Fc to 1GHz 1GHz to 10Fc	812.4000	-53.4750	-13.00	PASS
	3082.4930	-51.7200	-13.00	PASS
	1218.6000	-55.4195	-13.00	PASS
	1624.8000	-55.5445	-13.00	PASS
	2031.0000	-55.0118	-13.00	PASS
	2437.2000	-54.7639	-13.00	PASS
	2843.4000	-53.5665	-13.00	PASS
	3249.6000	-52.6772	-13.00	PASS
	3655.8000	-53.4292	-13.00	PASS
4062.0000	-53.8830	-13.00	PASS	