

	    <p>MS ISO/IEC 17025 TESTING SMMM No. 0826</p> <p>CERTIFICATE 2518.05</p>
---	--

Exhibit 7B: SAR Test Report Photographs

Motorola Solutions Inc
EME Test Laboratory
Motorola Solutions Malaysia Sdn Bhd
Plot 2A, Medan Bayan Lepas
Mukim 12 SWD 11900 Bayan Lepas Penang, Malaysia.



Tiong Nguk Ing
Deputy Technical Manager (Approved Signatory)
Approval Date: 09/02/2020

Report Revision History

Date	Revision	Comments
09/02/2020	A	Initial release

1.0 Highest SAR Test Position per body location

1.1 Body

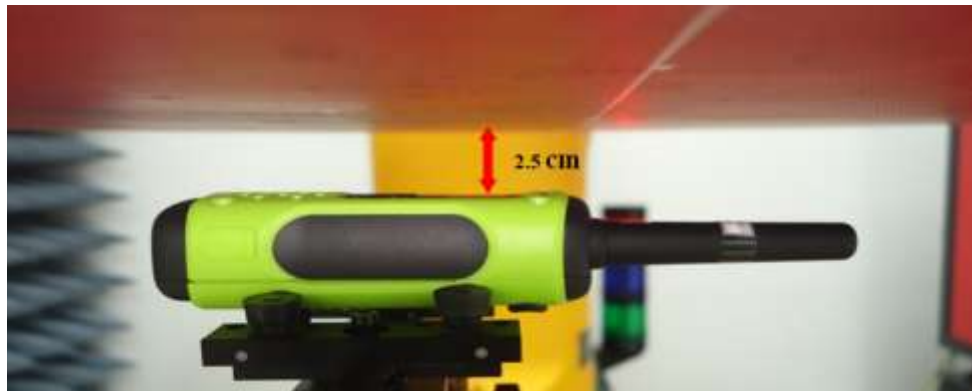
DUT with EAN.144F.911R antenna, offered battery 1532 and belt clip kit PMLN7220A against the phantom with an audio accessory PMLN7251A (PMLN7251AR) attached.



Antenna kit #	Separation Distances (mm)		
	@ bottom surface of the DUT	@ antenna's base	@ antenna's tip
EAN.144F.911R	9	23	26

1.2 Face

Front of DUT with EAN.144F.911R antenna and offered battery 1532 separated 2.5cm from the phantom without an audio accessory attached.



Antenna kit #	Separation Distances (mm)		
	@ bottom surface of the DUT	@ antenna's base	@ antenna's tip
EAN.144F.911R	27	35	37

2.0 Other SAR tested positions at the body

2.1 Body worn

DUT with EAN.144F.911R antenna, offered battery 1532 and body worn PMLN7240A against the phantom with an audio accessory NTN8868C (53725C) attached. Same position used for other applicable offered batteries.



Antenna kit #	Separation Distances (mm)		
	@ bottom surface of the DUT	@ antenna's base	@ antenna's tip
EAN.144F.911R	13	26	28

DUT with EAN.144F.911R antenna, offered battery 1532 and body worn kit PMLN7706AR against the phantom with an audio accessory NTN8868C (53725C) attached. Same position used for other applicable offered batteries.



Antenna kit #	Separation Distances (mm)		
	@ bottom surface of the DUT	@ antenna's base	@ antenna's tip
EAN.144F.911R	0	21	23

3.0 DUT and Accessory Photos

The purpose of these photos is to illustrate the tested accessories. Refer to Part 1 of 2, section 7.0 for additional details on the offered accessories.

3.1 Antenna and its dimensions

Antenna Kit #	Physical Length (mm)	Electrical Length
EAN.144F.911R	81.6	1/2 wave



Antenna model: EAN.144F.911R (pointed with arrow)

3.2 Body worn accessories

Belt Clip PMLN7240A



Side view



Back view

Belt Clip PMLN7220A



Side view



Back view

Carry Pouch PMLN7706A



Front view



Side View



Back View

3.3 Battery accessories:

1532 1300mAh NiMH rechargeable battery packs (front, side, and back view)



3x AA Alkaline battery



PMNN4477A NiMH rechargeable battery packs (front, side, and back view)



3.4 Audio accessories:



GU6443A (1518)



56320B



53724C



53725C



53727B



PMLN7705AR



1884(GU7140A)



PMLN7251A



GU6953A



GU6970A

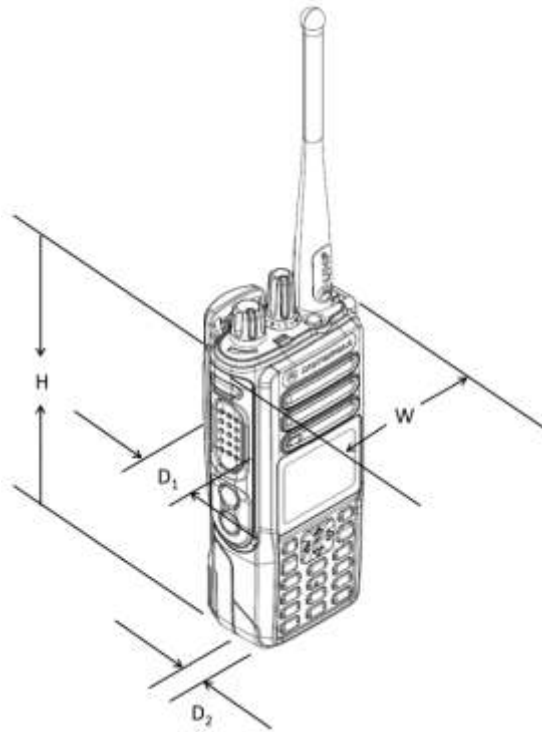


GU6987A

3.5 DUT Dimensions

	Height (mm)	Width (mm)	Depth (mm)
Radio only (w/o battery)	125	61	38
Radio with battery PMNN4477A, 1532, 3xAA Alkaline	125	61	38

For illustration purposes only - the following figure reflects the location of the device's dimension.



Note: H = Height; W = Width; D₁ = Depth w/ battery; D₂ = Depth w/o battery