

EXHIBIT 9

Internal Photographs

(Pursuant to FCC Part 2.1033(b)(7), 2.1033(c)(12) and RSP 100 Annex C)

The following photographs are attached.

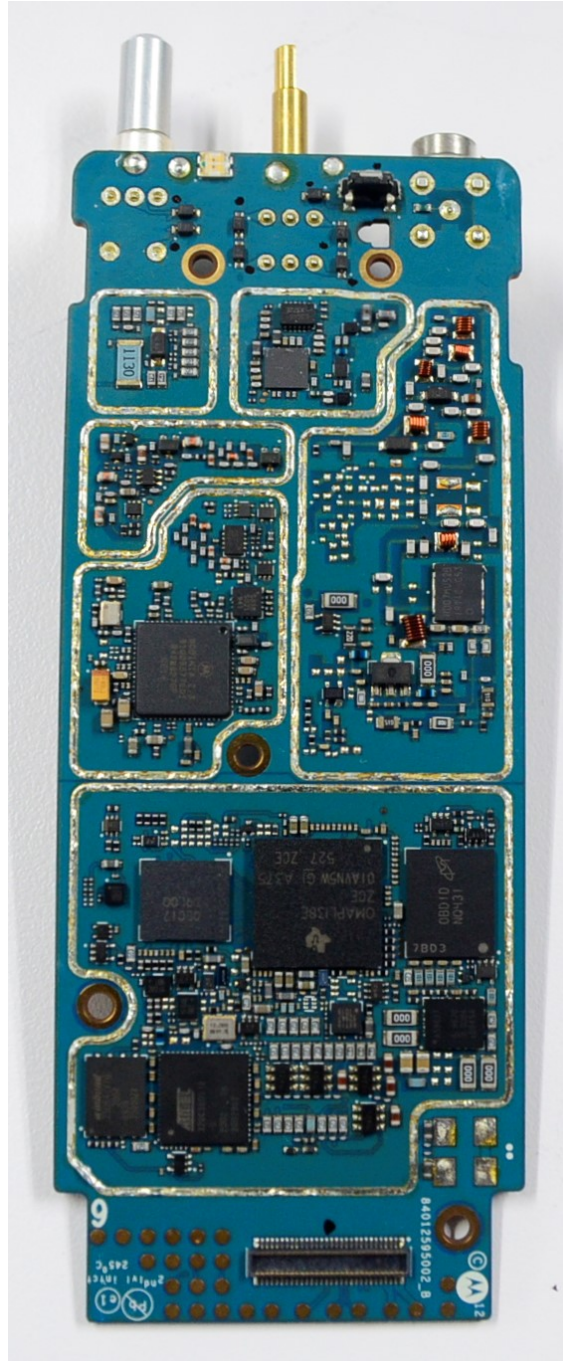
	<u>Exhibit</u>
1. RF board <u>with</u> Shields (Top)	9A
2. RF board <u>without</u> Shields (Top)	9B
3. RF board <u>with</u> Shields (Bottom)	9C
4. RF board <u>without</u> Shields (Bottom)	9D
5. RF board <u>with</u> chassis and housing for (Front Side)	9E
6. Chassis and housing (Back Side)	9F
7. Exploded View of radio	9G

EXHIBIT 9A



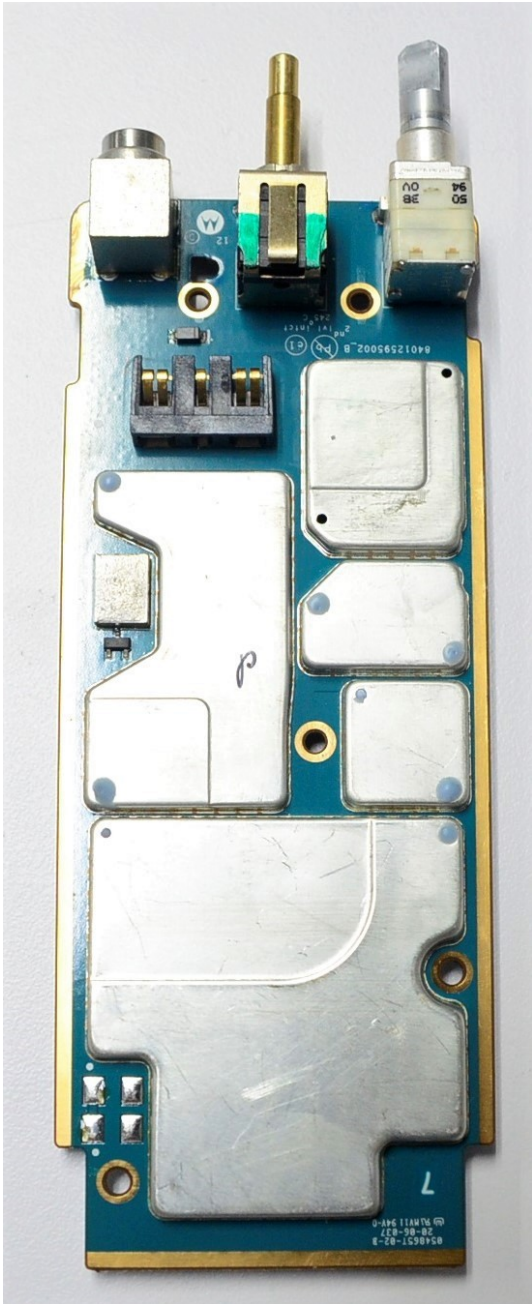
RF board with Shields (Top)

EXHIBIT 9B



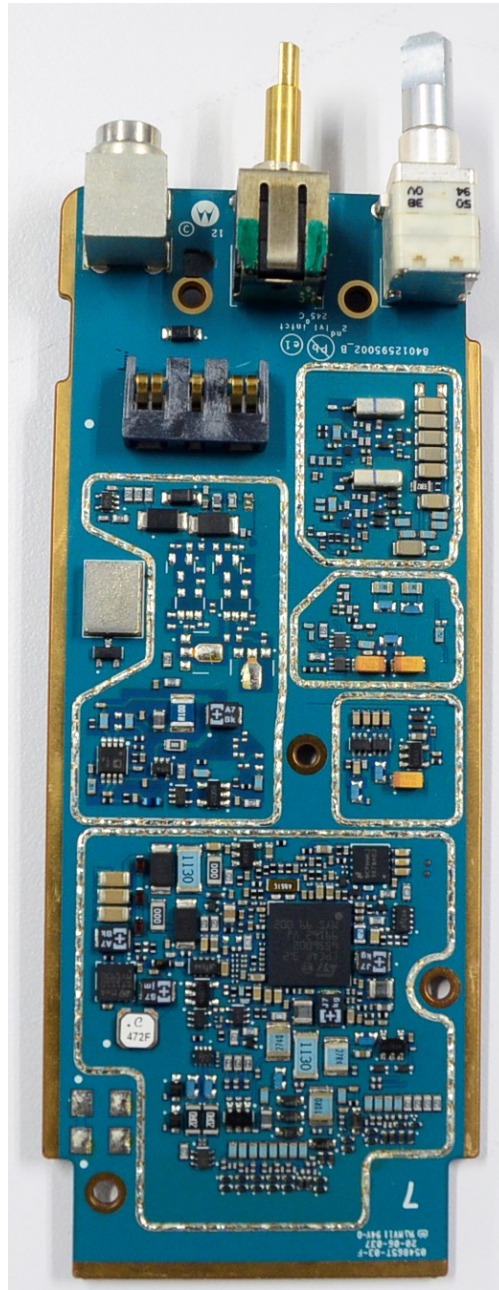
RF board without Shields (Top)

EXHIBIT 9C



RF board with Shields (Bottom)

EXHIBIT 9D



RF board without Shields (Bottom)

EXHIBIT 9E



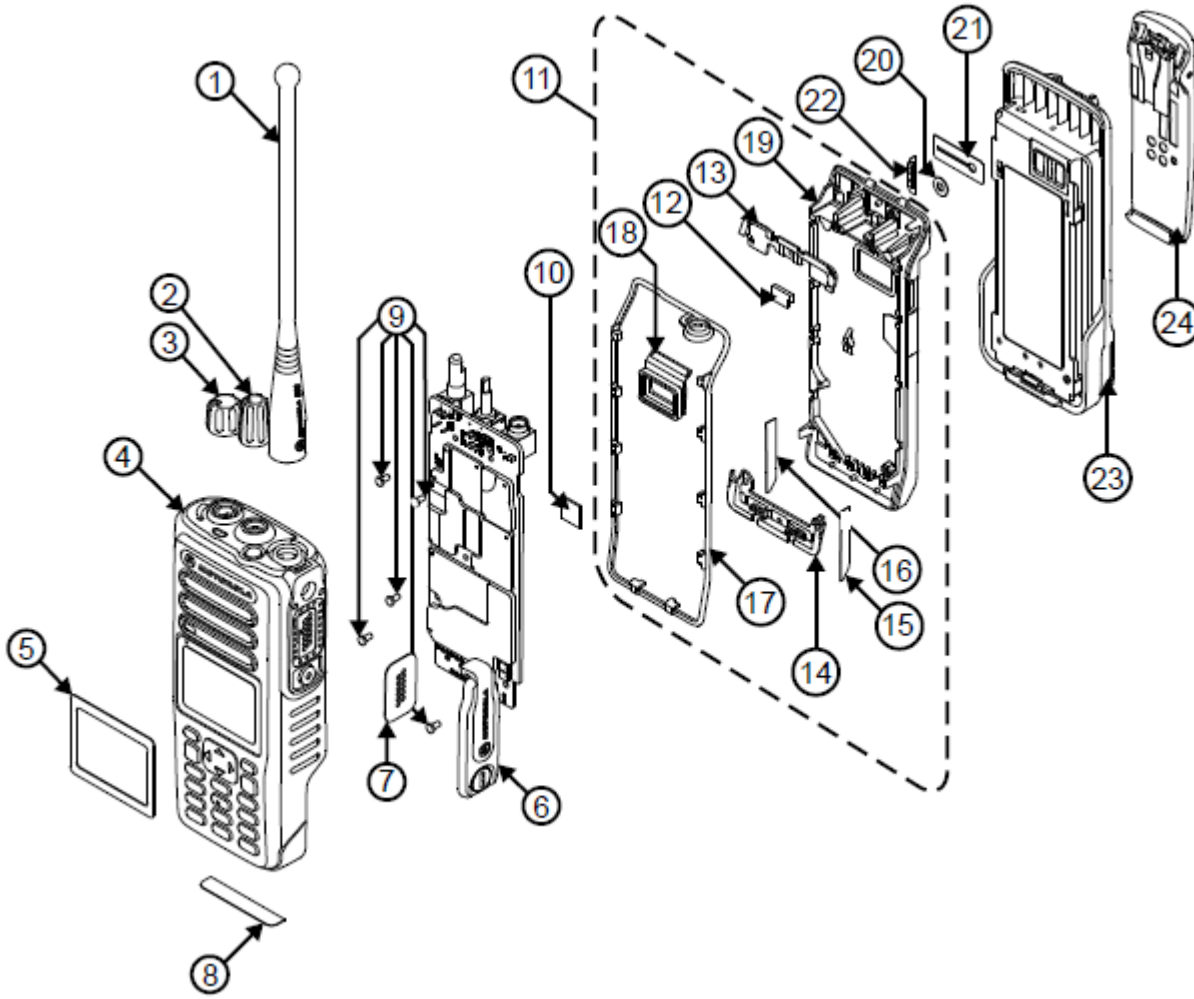
RF board with chassis and housing for (Front Side)

EXHIBIT 9F



Chassis and housing (Back Side)

EXHIBIT 9G



Exploded View of radio

*** END ***