

	    <p>MS ISO/IEC 17025 TESTING SMMM No. 0826</p> <p>CERTIFICATE 2518.05</p>
---	--

Exhibit 7B: SAR Test Report Photographs

Motorola Solutions Inc
EME Test Laboratory
Motorola Solutions Malaysia Sdn Bhd
Plot 2A, Medan Bayan Lepas
Mukim 12 SWD 11900 Bayan Lepas Penang, Malaysia.



Tiong Nguk Ing
Deputy Technical Manager (Approved Signatory)
Approval Date: 7/11/2020

Report Revision History

Date	Revision	Comments
07/08/2020	A	Initial release

1.0 Highest SAR Test Position per body location

1.1 Body

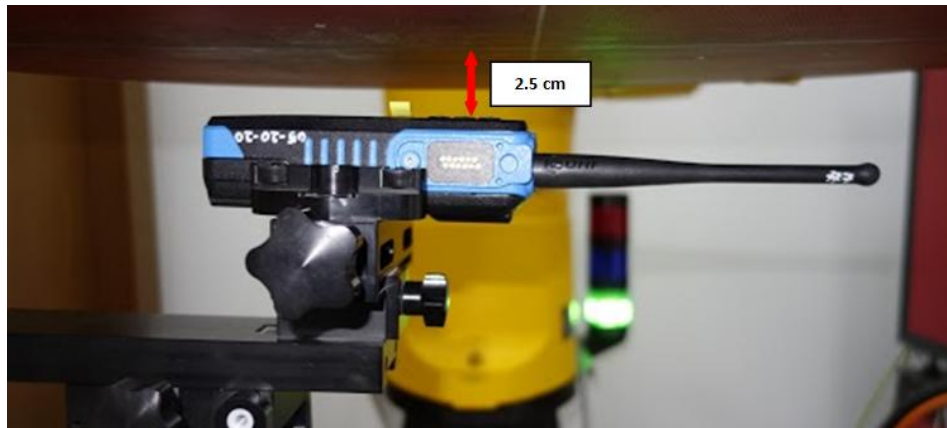
DUT with PMAE4024B antenna, offered battery NNTN8386A and body worn kit PMLN6086A against the phantom with an audio accessory NNTN8382B attached. Same position used for the only one offered battery and audio accessories.



Antenna kit #	Separation Distances (mm)		
	@ bottom surface of the DUT	@ antenna's base	@ antenna's tip
PMAE4024B	7	30	44
PMAE4023B	7	30	39
PMAE4018B	7	30	44

1.2 Face

Front of DUT with PMAE4024B antenna and offered battery NNTN8386A separated 2.5cm from the phantom without an audio accessory attached. Same position used for the only one offered battery.



Antenna kit #	Separation Distances (mm)		
	@ bottom surface of the DUT	@ antenna's base	@ antenna's tip
PMAE4024B	27	40	47
PMAE4023B	27	40	43
PMAE4018B	27	40	47

2.0 Other SAR tested positions at the body

2.1 Body worn

DUT with PMAE4023B antenna, offered battery NNTN8386A and body worn PMLN6097A against the phantom with an audio accessory PMMN4067B attached. Same position used for other applicable offered.



Antenna kit #	Separation Distances (mm)		
	@ bottom surface of the DUT	@ antenna's base	@ antenna's tip
PMAE4023B	0	72	104
PMAE4024B	0	72	130
PMAE4018B	0	72	130

DUT with PMAE4024B antenna, offered battery NNTN8386A and body worn kit PMLN6099A against the phantom with an audio accessory PMMN4067B attached. Same position used for other applicable offered batteries.



Antenna kit #	Separation Distances (mm)		
	@ bottom surface of the DUT	@ antenna's base	@ antenna's tip
PMAE4024B	0	72	130
PMAE4023B	0	72	104
PMAE4018B	0	72	130

3.0 DUT and Accessory Photos

The purpose of these photos is to illustrate the tested accessories. Refer to Part 1 of 2, section 7.0 for additional details on the offered accessories.

3.1 Antenna and its dimensions

Antenna Kit #	Physical Length (mm)	Electrical Length
PMAE4018B	14	¼ wave
PMAE4024B	14	¼ wave
PMAE4023B	9	¼ wave



PMAE4023B, PMAE4024B and PMAE4018B antennas

3.2 Body worn accessories



DUT Side View
Belt clip PMLN6086A
2 inch



DUT Back View
Belt clip PMLN6086A
2 inch



DUT Front View
Hard Leather Carry Case w/
Swivel Belt Loop PMLN6097A
2.5 inch



DUT Side View
Hard Leather Carry Case w/
Swivel Belt Loop PMLN6097A
2.5 inch



DUT Back View
Hard Leather Carry Case w/
Swivel Belt Loop PMLN6097A
2.5 inch



DUT Front View
Soft Leather Carry Case w/
Swivel Belt Loop PMLN6099A
2.5 inch



DUT Side View
Soft Leather Carry Case w/
Swivel Belt Loop PMLN6099A
2.5 inch



DUT Back View
Soft Leather Carry Case w/
Swivel Belt Loop PMLN6099A
2.5 inch

3.3 Battery accessories:



Front view



Back view



Side view

NNTN8386A

3.4 Audio accessories:



**PMMN4067B:
ATEX CSA Remote Speaker Microphone**



**PMLN5275C:
Heavy Duty Headset**



**NNTN8382B:
IMPRES INC RSM, IP57**



**NNTN8383B:
IMPRES INC RSM, AUDIO JACK**



**PMMN4050A:
IMPRES LARGE RSM WITH EARJACK, NOISE
CANCELING**

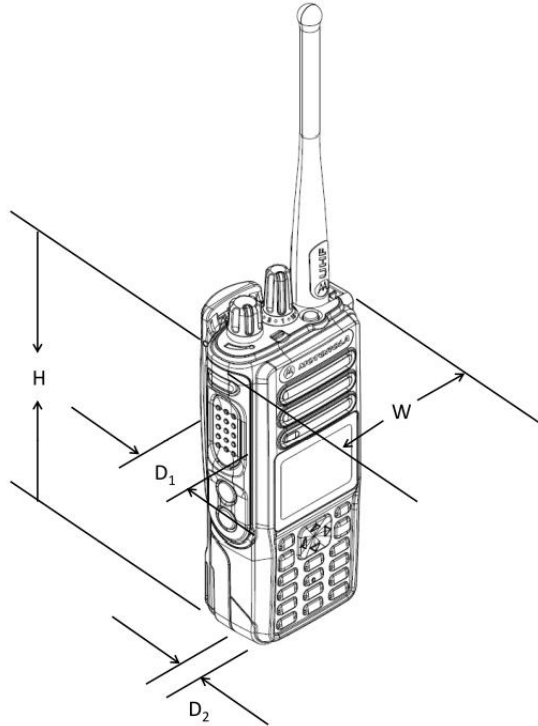


**NNTN8380A with NNTN8378A:
DUAL MUFF CSA 157 HEADSET 26NRR with CSA
157 PTT ADAPTER, NEXUS 4 POLE**

3.5 DUT Dimensions

	Height (mm)	Width (mm)	Depth (mm)
Radio only (w/o battery)	139.0	65.0	30.0
Radio with battery NNTN8386A	139.0	65.0	40.0

For illustration purposes only - the following figure reflects the location of the device's dimension.



Note: H = Height; W = Width; D₁ = Depth w/ battery; D₂ = Depth w/o battery