

EXHIBIT 9

Internal Photographs

(Pursuant to FCC Part 2.1033(b)(7), 2.1033(c)(12) and RSP 100 Annex C)

The following photographs are attached.

	<u>Exhibit</u>
1. RF board <u>with</u> Shields (Top)	9A
2. RF board <u>without</u> Shields (Top)	9B
3. RF board <u>with</u> Shields (Bottom)	9C
4. RF board <u>without</u> Shields (Bottom)	9D
5. RF boards <u>with</u> chassis and housing (Front Side)	9E
6. Chassis and housing (Back Side)	9F
7. Exploded View of Radio	9G

Exhibit 9A : RF board with Shields (Top)



T470 and T475

Exhibit 9B : RF board without Shields (Top)



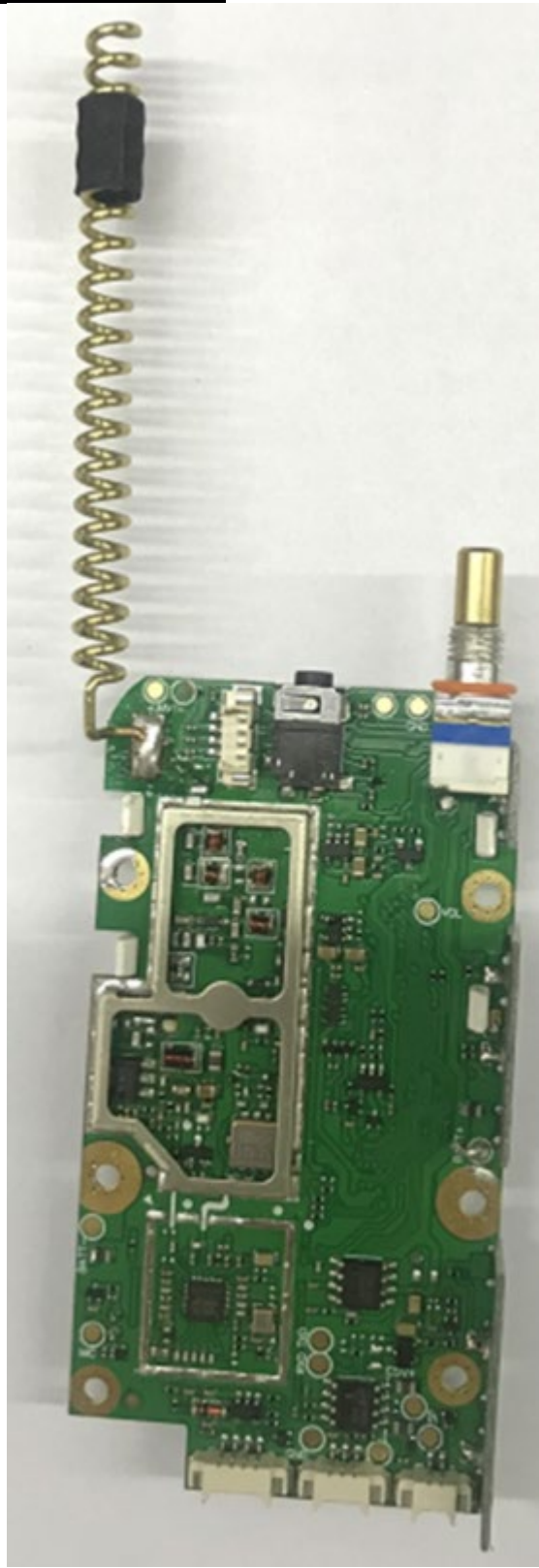
T470 and T475

Exhibit 9C : RF board with Shields (Bottom)



T470 and T475

Exhibit 9D : RF board without Shields (Bottom)



T470 and T475

Exhibit 9E : RF boards with chassis and housing for (Front Side)



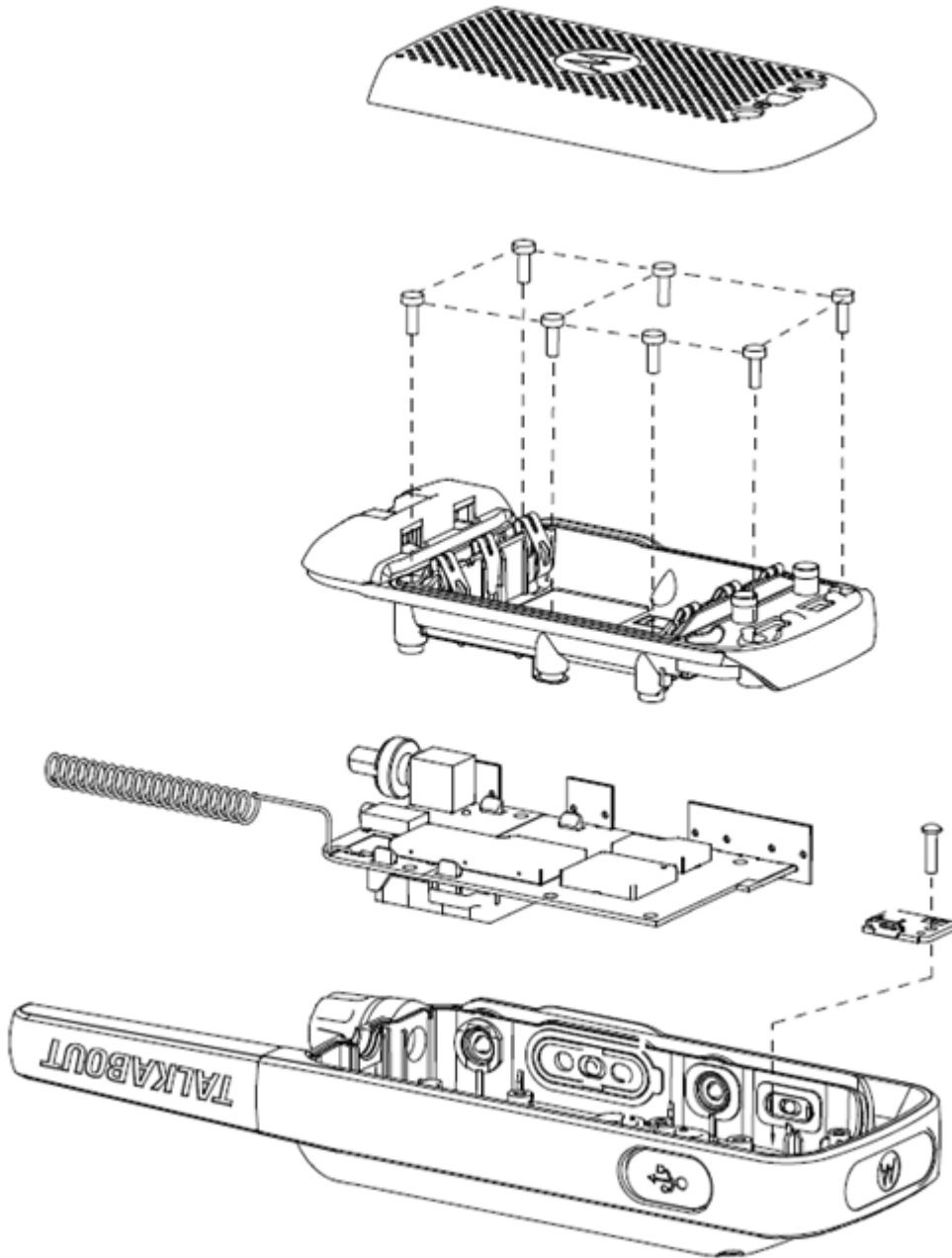
T470 and T475

Exhibit 9F : Chassis and housing (Back Side)



T470 and T475

Exhibit 9G : Exploded View of Radio



T47X Series

***** END *****