

 <b>MOTOROLA SOLUTIONS</b>	  MS ISO/IEC 17025 TESTING SAMM No. 0826	  CERTIFICATE 2518.05
---	--	--

**Exhibit 7B: SAR Test Report Photographs**

**Motorola Solutions Inc**  
**EME Test Laboratory**  
Motorola Solutions Malaysia Sdn Bhd (Innoplex)  
Plot 2A, Medan Bayan Lepas  
Mukim 12 SWD 11900 Bayan Lepas Penang, Malaysia.



*Tiong*  
**Tiong Nguk Ing**  
**Deputy Technical Manager (Approved Signatory)**  
Approval Date: 12/19/2019

**Report Revision History**

<b>Date</b>	<b>Revision</b>	<b>Comments</b>
11/01/2019	A	Initial release
12/19/2019	B	Indicate the distance 2.5 cm for face configuration

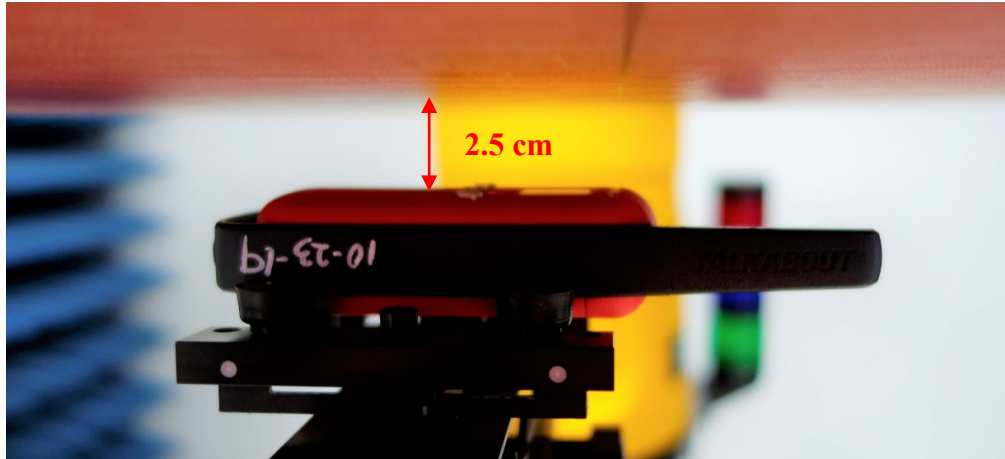
**1.0 Highest SAR Test Position per body location**

**1.1 Body**

Not applicable

**1.2 Face**

Front of DUT with fixed antenna and offered battery AAA Alkaline separated 2.5cm from the phantom without an audio accessory attached.



Antenna kit #	Separation Distances (mm)		
	@ bottom surface of the DUT	@ antenna's base	@ antenna's tip
Fixed antenna	30	31	32

**2.0 Other SAR tested positions at the body**

Not applicable

**3.0 Other SAR tested positions at the face**

Not applicable

**4.0 Other SAR tested positions at the head**

Not applicable

**5.0 Other SAR tested positions at the hand**

Not applicable

**6.0 DUT and Accessory Photos**

Not applicable

**6.1 Antenna dimensions and photo:**

Antenna Kit #	Physical Length (mm)	Electrical Length
Fixed Antenna	53.8	1/4 wave



**Fixed Antenna (front)**

**6.2 Body worn accessories**

Not applicable

**6.3 Battery accessories:**



**Battery AAA ALKALINE**

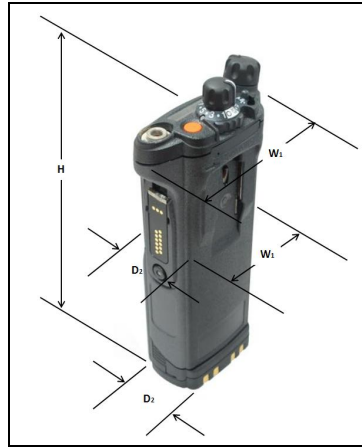
**6.4 Audio accessories:**

Not applicable

**6.5 DUT Dimensions**

	<b>Height (mm)</b>	<b>Width (mm)</b>	<b>Depth (mm)</b>
Radio with battery AAA Alkaline	94	48	25.8
Radio Standalone			

For illustration purposes only - the following figure reflects the location of the device's dimensions.



Note: H = Height; W = Width; D = Depth

$$W1 = (\text{Width @ Top}) / (\text{Width @ PTT})$$

$$D2 = (\text{Depth @ Bottom}) / (\text{Depth @ PTT})$$