

EXHIBIT 9

INTERNAL PHOTOGRAPHS

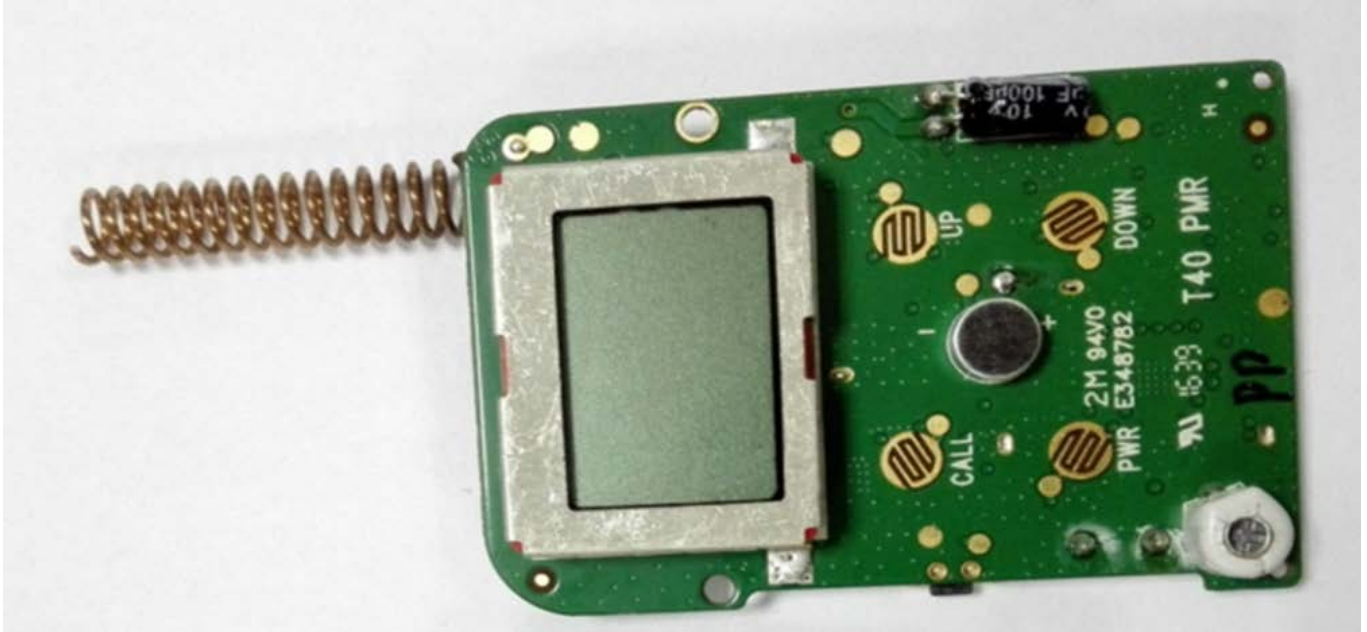
(Pursuant to FCC Part 95A and 95B and RSS-210)

The following photographs are attached.

Exhibit

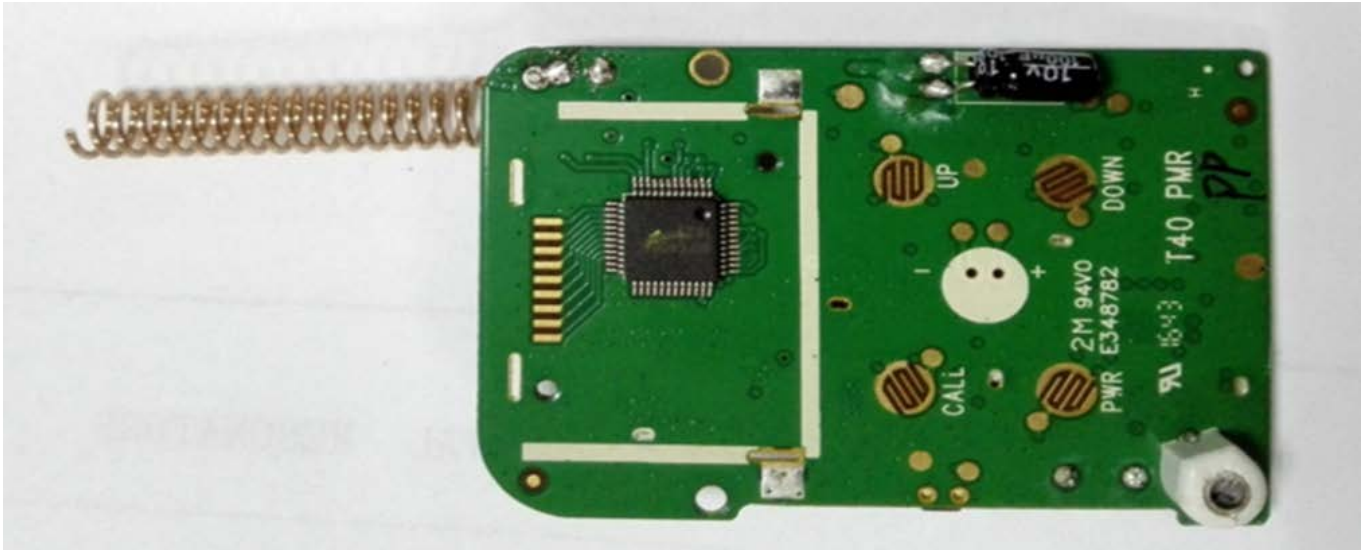
- | | | |
|----|---|----|
| 1. | RF board <u>with</u> Shields (Top) | 9A |
| 2. | RF board <u>without</u> Shields (Top) | 9B |
| 3. | RF board <u>with</u> Shields (Bottom) | 9C |
| 4. | RF board <u>without</u> Shields (Bottom). | 9D |
| 5. | RF board with chassis and housing (front side). | 9E |
| 6. | RF Board with chassis and housing (back side). | 9F |
| 7. | Exploded view of radio | 9G |

EXHIBIT 9A - RF board with Shields (Top)



All models: T100, T107, T100TP, T100MC, T107MC, T100TMC

EXHIBIT 9B - RF board without Shields (Top)



All models: T100, T107, T100TP, T100MC, T107MC, T100TMC

EXHIBIT 9C - RF board with Shields (Bottom)



All models: T100, T107, T100TP, T100MC, T107MC, T100TMC

EXHIBIT 9D - RF board without Shields (Bottom)



All models: T100, T107, T100TP, T100MC, T107MC, T100TMC

EXHIBIT 9E - RF board with chassis and housing (front side)



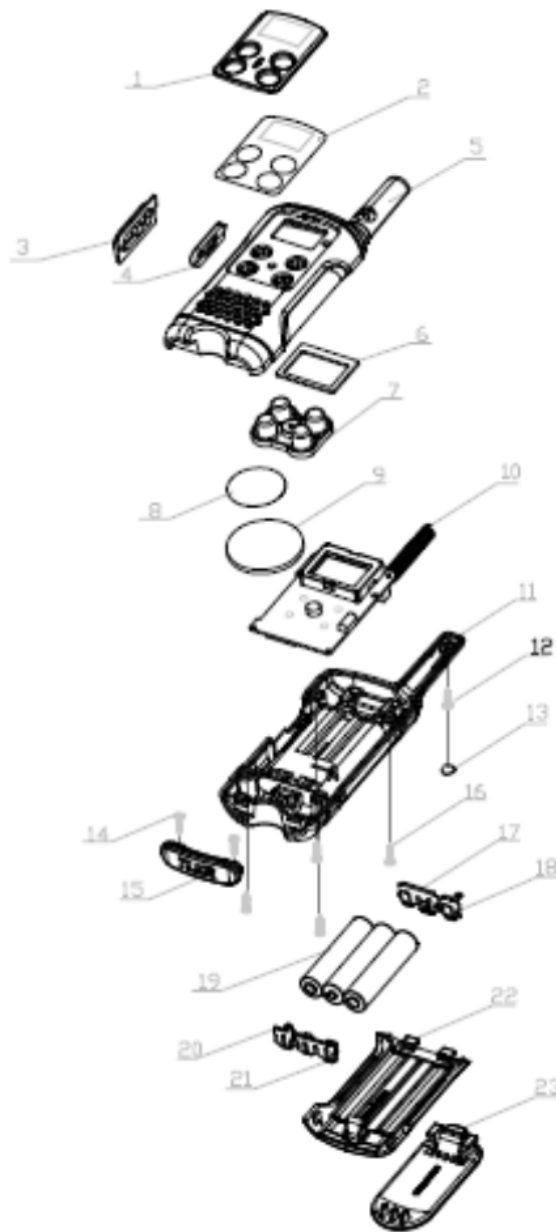
All models: T100, T107, T100TP, T100MC, T107MC, T100TMC

EXHIBIT 9F - RF board with chassis and housing (back side)



All models: T100, T107, T100TP, T100MC, T107MC, T100TMC

EXHIBIT 9G – Exploded view of radio



All models: T100, T107, T100TP, T100MC, T107MC, T100TMC