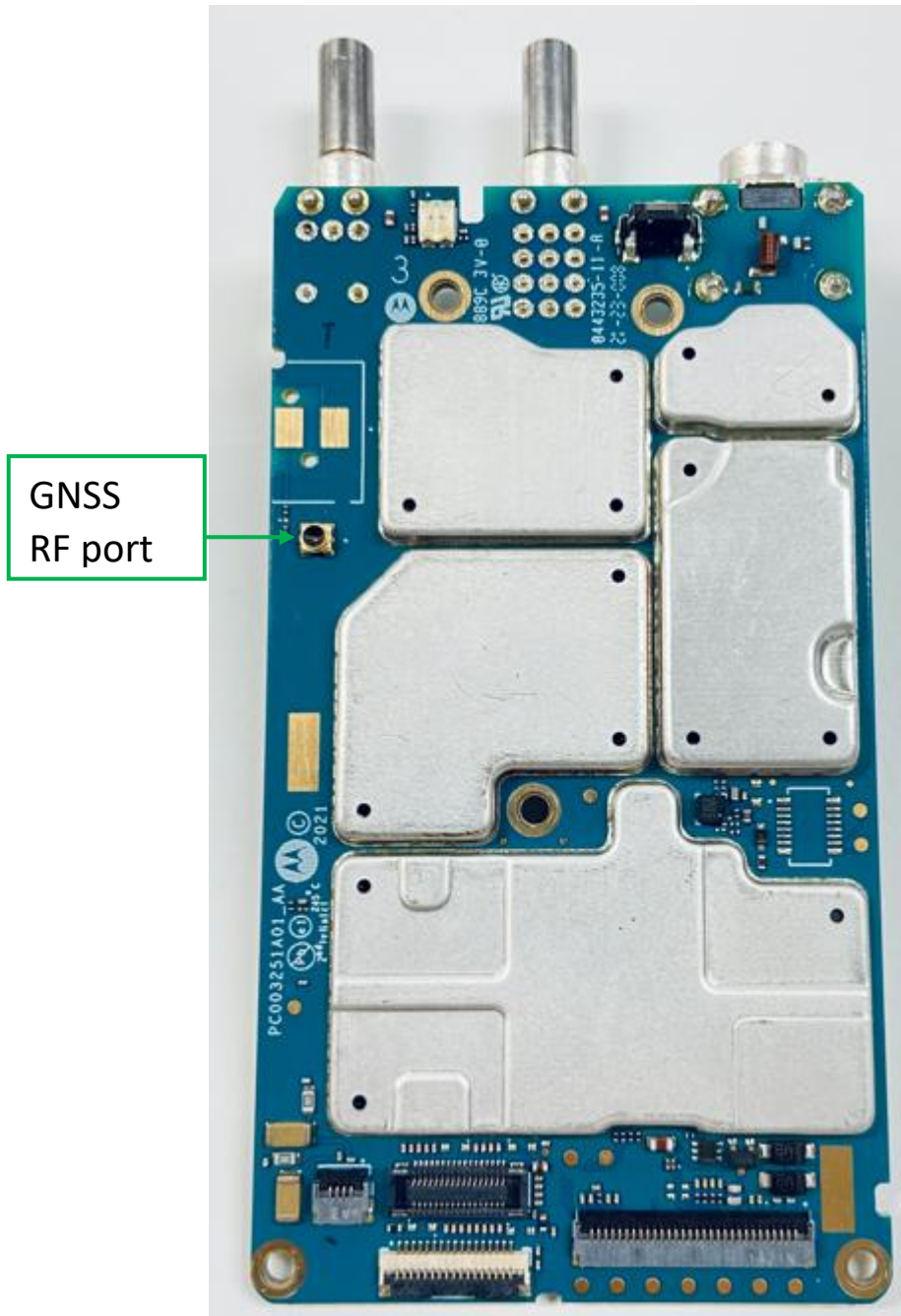


EXHIBIT 9**Internal Photographs**

(Pursuant to FCC Part 2.1033(b)(7), 2.1033(c)(12) and RSP 100 Annex C)

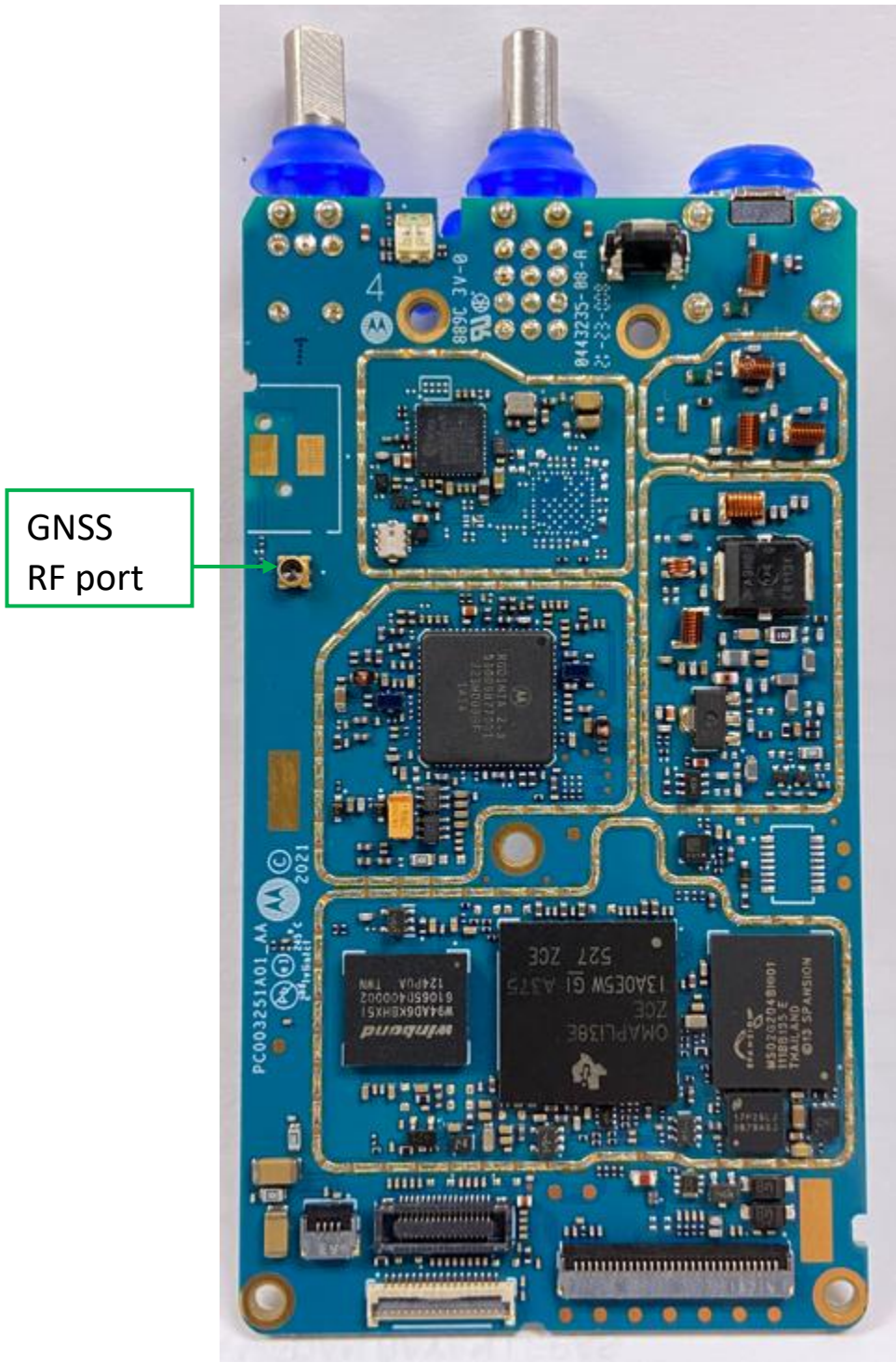
The following photographs are attached.	<u>Exhibit</u>
1. RF board with Shields (Top) non-TIA4950.	9A
2. RF board without Shields (Top) non-TIA4950.	9B
3. RF board with Shields (Top) TIA4950.	9C
4. RF board without Shields (Top) TIA4950	9D
5. RF board with Shields (Bottom) non-TIA4950.	9E
6. RF board without Shields (Bottom) non-TIA4950.	9F
7. RF board with Shields (Bottom) TIA4950.	9G
8. RF board without Shields (Bottom) TIA4950.	9H
9. RF board <u>with</u> chassis and housing (front side), FKP non-TIA4950	9I
10. Chassis and Housing (back side), FKP non-TIA4950	9J
11. RF board <u>with</u> chassis and housing (front side), FKP TIA4950	9K
12. Chassis and Housing (back side), FKP TIA4950	9L
13. RF board <u>with</u> chassis and housing (front side), NKP non-TIA4950	9M
14. Chassis and Housing (back side), NKP non-TIA4950	9N
15. RF board <u>with</u> chassis and housing (front side), NKP TIA4950	9O
16. Chassis and Housing (back side), NKP TIA4950.	9P
17. Keypad board (Top), FKP	9Q
18. Keypad board (Bottom), FKP	9R
19. Interface Board (Top)	9S
20. Interface Board (Bottom)	9T
21. Exploded View of FKP radio	9U
22. Exploded View of NKP radio	9V

Exhibit 9A



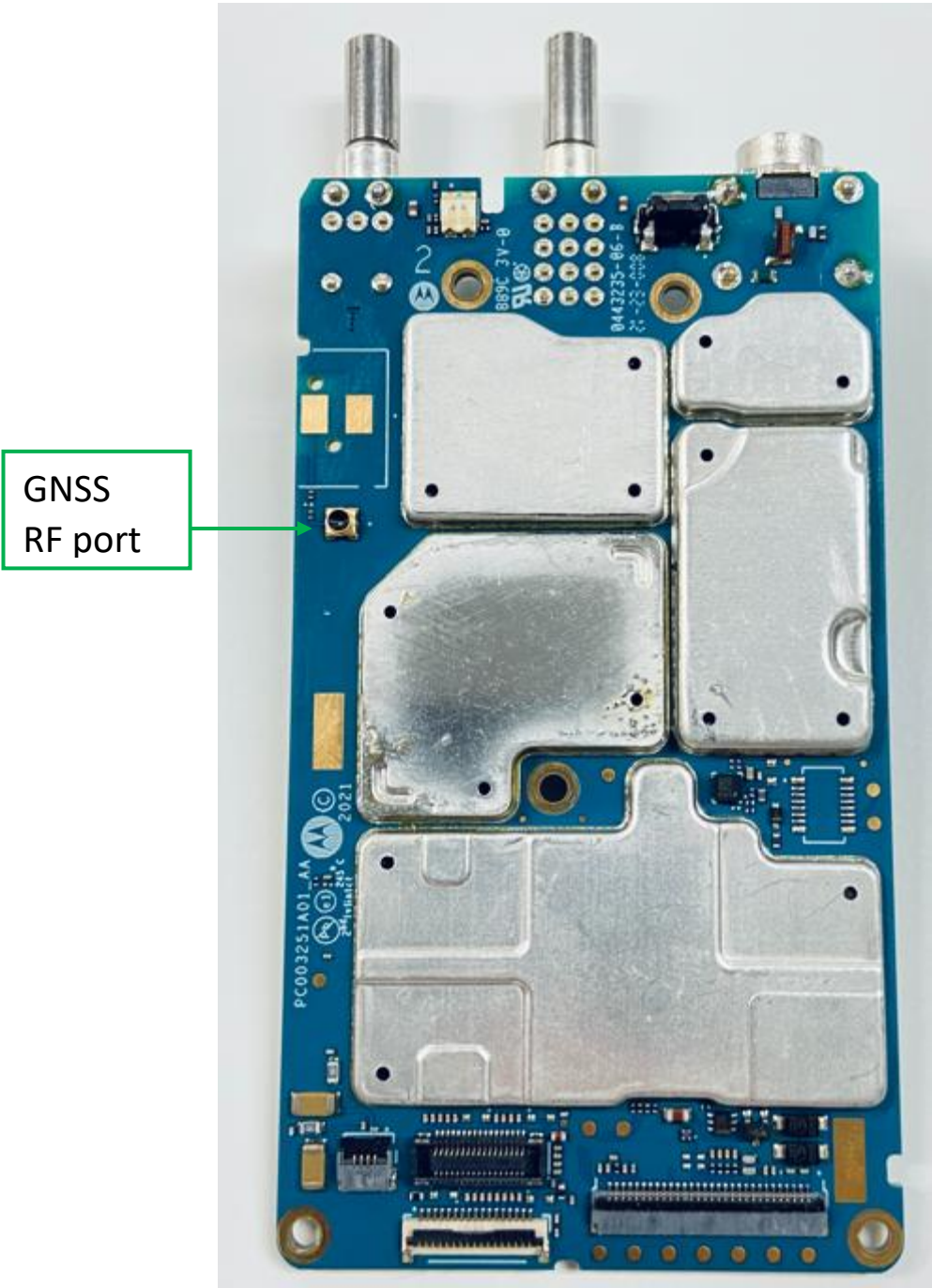
RF board with Shields (Top) non-TIA4950

Exhibit 9B



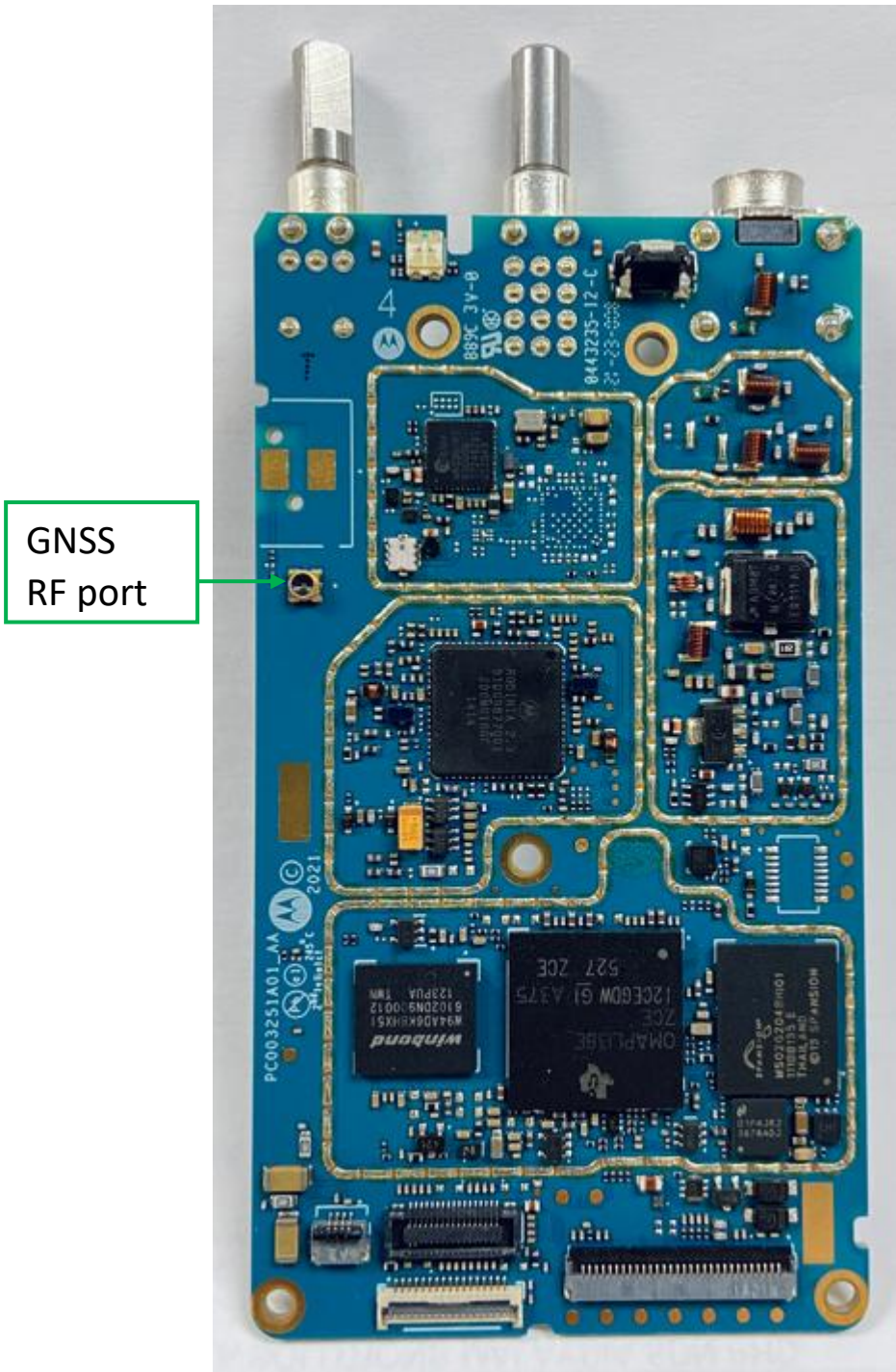
RF board without Shields (Top) non-TIA4950

Exhibit 9C



RF board with Shields (Top) TIA4950

Exhibit 9D



RF board without Shields (Top) TIA4950

Exhibit 9E



RF board with Shields (Bottom) non-TIA4950

Exhibit 9F



RF board without Shields (Bottom) non-TIA4950

Exhibit 9G



RF board with Shields (Bottom) TIA4950

Exhibit 9H



RF board without Shields (Bottom) TIA4950

Exhibit 9I

GNSS
RF port



RF board with chassis and housing (front side) FKP model non-TIA4950

Exhibit 9J



Chassis and Housing (back side) FKP model non-TIA4950

Exhibit 9K



RF board with chassis and housing (front side) FKP model TIA4950

Exhibit 9L



Chassis and Housing (back side) FKP model TIA4950

Exhibit 9M



RF board with chassis and housing (front side) NKP model non-TIA4950

Exhibit 9N



Chassis and Housing (back side) NKP model non-TIA4950

Exhibit 90



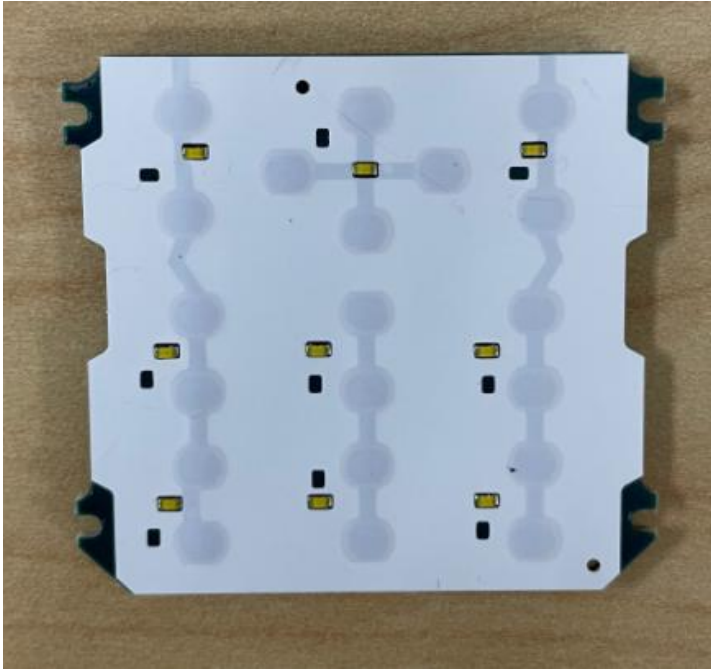
RF board with chassis and housing (front side) NKP model TIA4950

Exhibit 9P



Chassis and Housing (back side) NKP model TIA4950

Exhibit 9Q



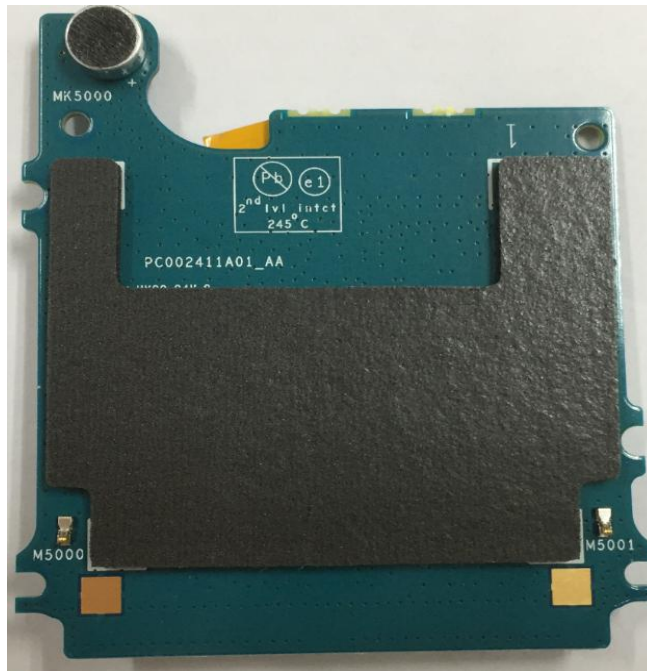
Keypad board (Top), FKP

Exhibit 9R



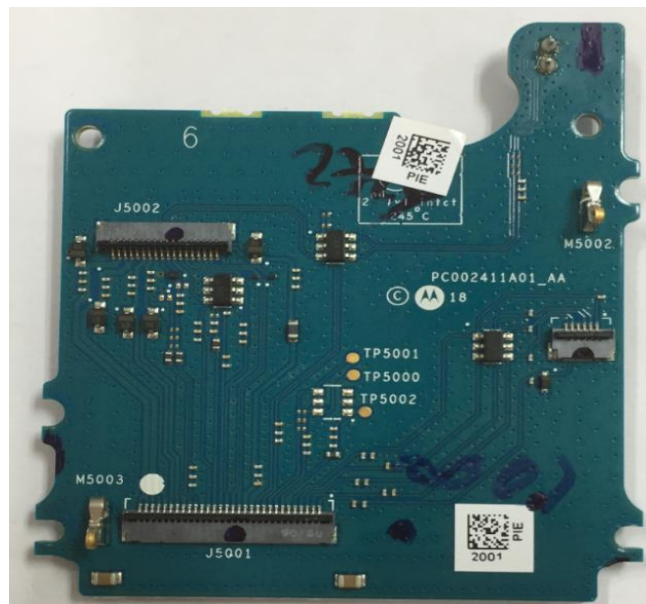
Keypad board (Bottom), FKP

Exhibit 9S



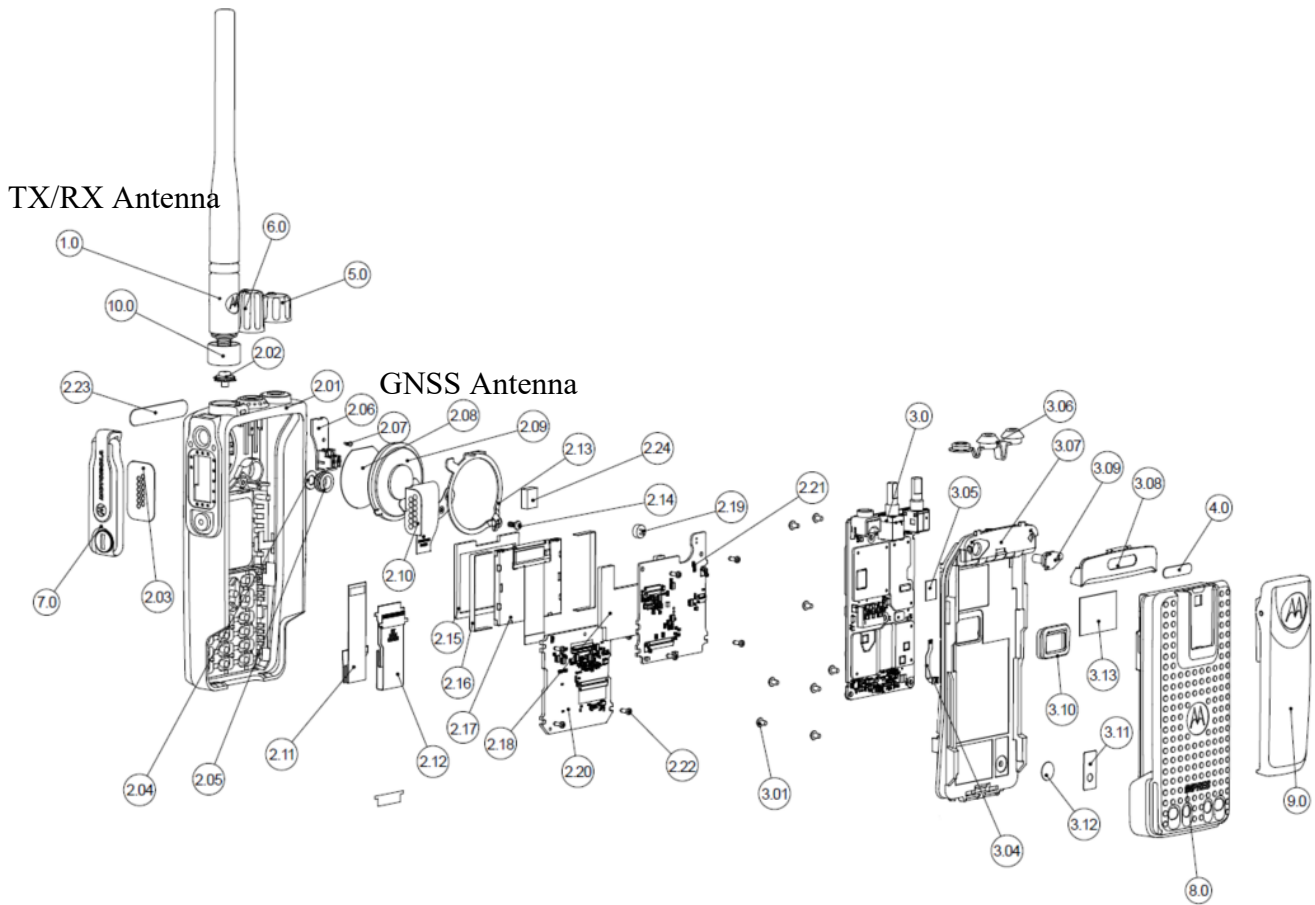
Interface board (Top)

Exhibit 9T



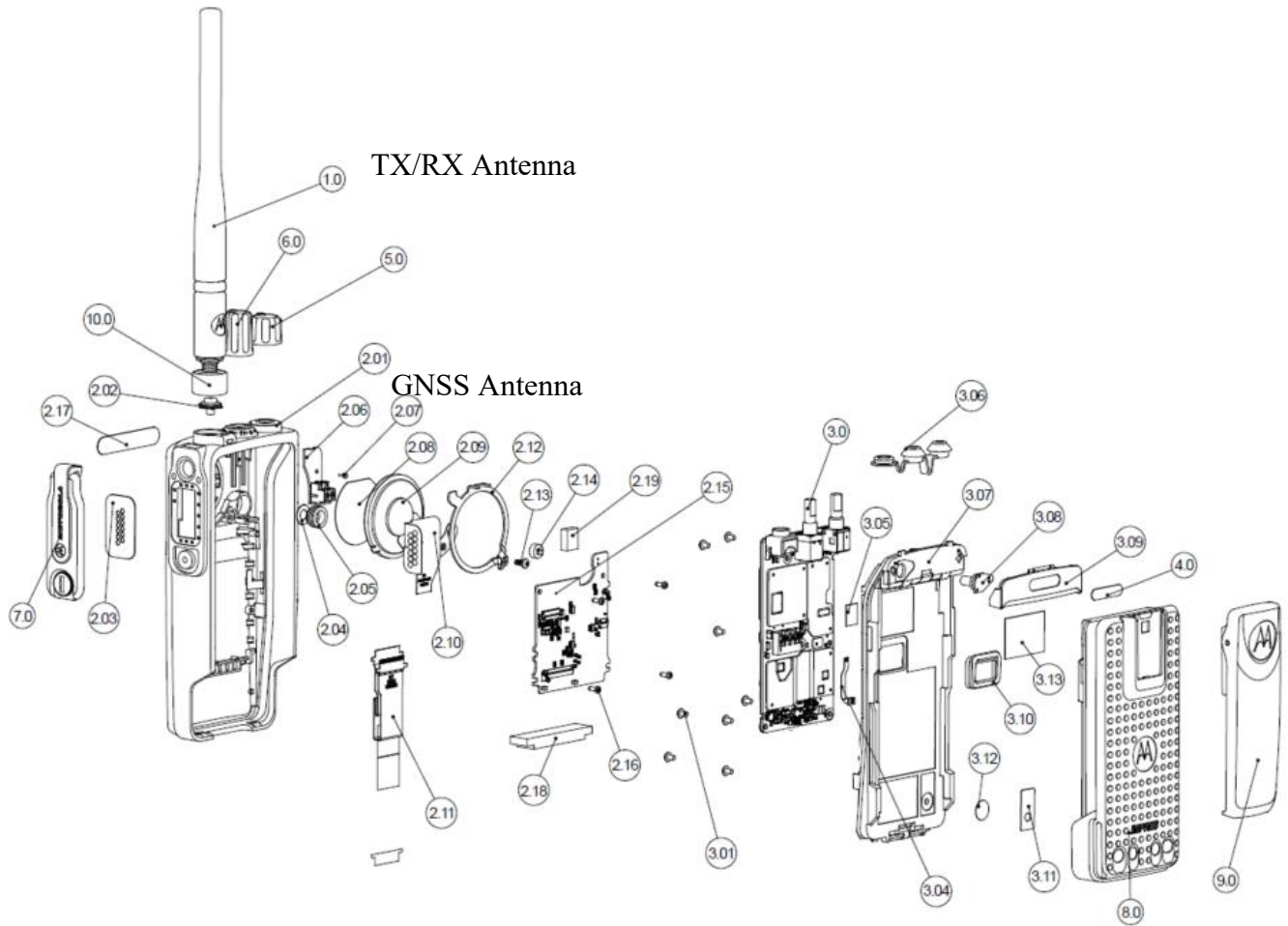
Interface board (Bottom)

Exhibit 9U



Exploded View of FKP Radio

Exhibit 9V



Exploded View of NKP Radio

***** END*****