

EXHIBIT 9

INTERNAL PHOTOGRAPHS

(Pursuant to FCC Part 2.1033(b)(7), 2.1033(c)(14) and RSP 100 Sec 4)

The following photographs are attached.

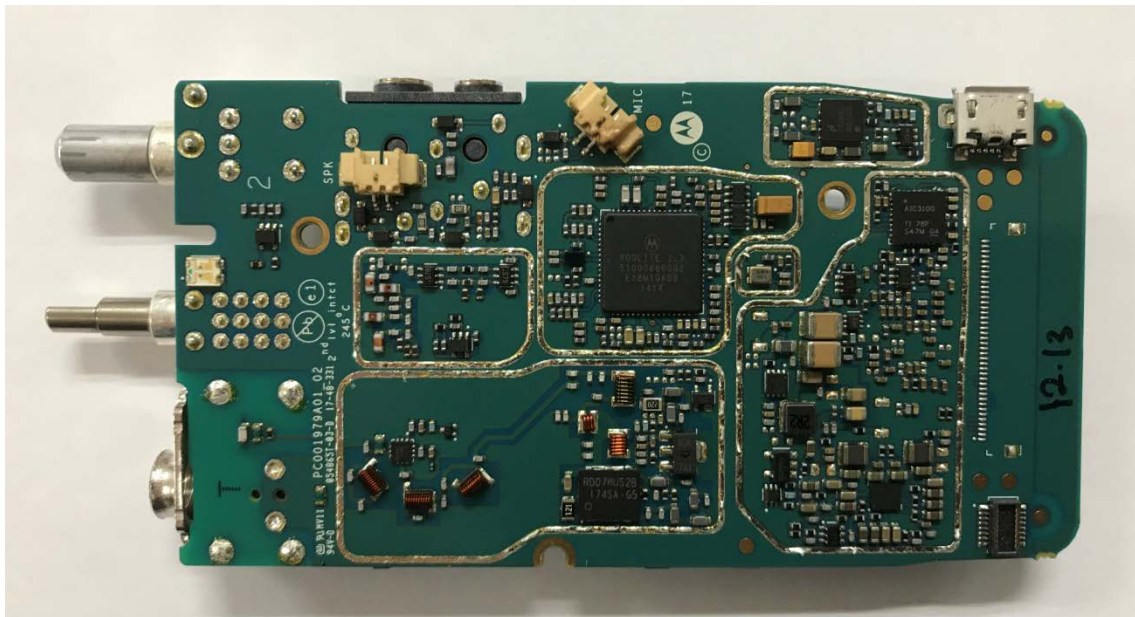
	<u>Exhibit</u>
1. RF board with Shields (Top).	9A
2. RF board without Shields (Top).	9B
3. RF board with Shields (Bottom).	9C
4. RF board without Shields (Bottom).	9D
5. RF board with chassis and housing (front side)	9E
6. Chassis and housing (back side)	9F
7. Exploded view of radio	9G

Exhibits 9A



RF board with Shields (Top)

Exhibit 9B



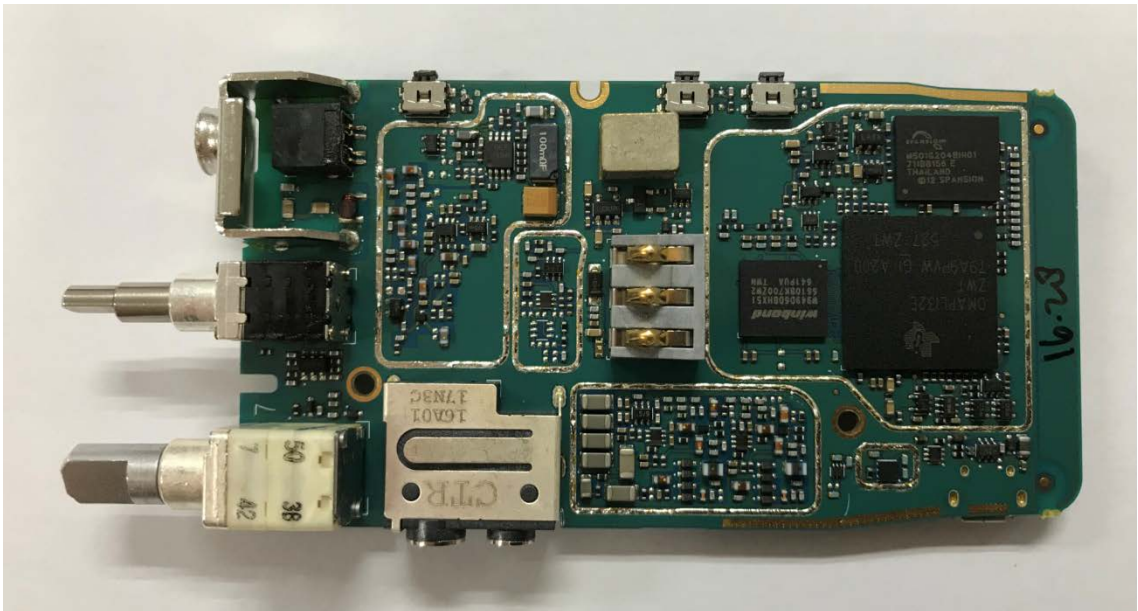
RF board without Shields (Top)

Exhibit 9C



RF board with Shields (Bottom)

Exhibit 9D



RF board without Shields (Bottom)

Exhibit 9E



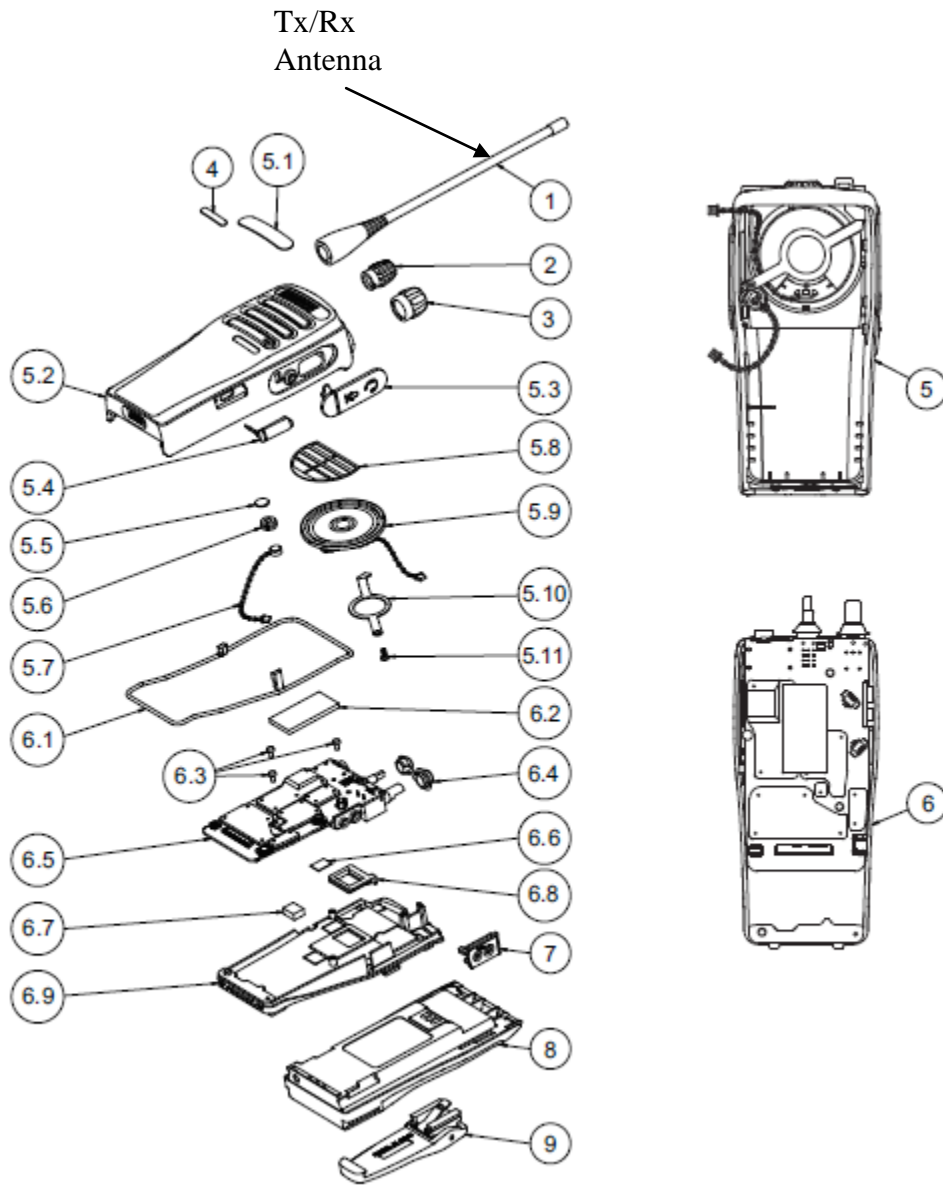
RF board with chassis and housing (front side)

Exhibit 9F



Chassis and Housing (Back side)

Exhibit 9G



Exploded View of Radio