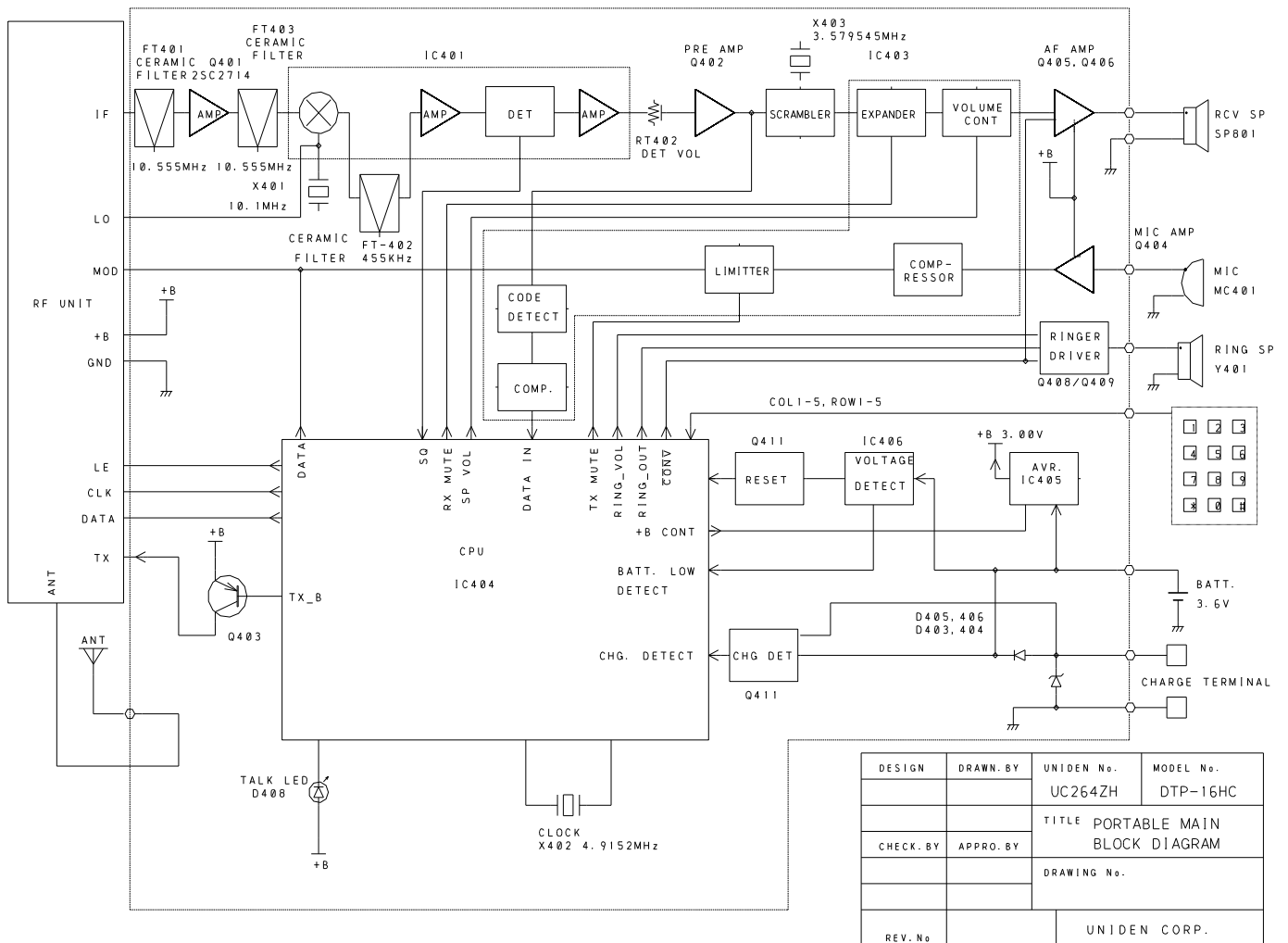


DESIGN	DRAWN. BY	UNIDEN No.	MODEL No.
		UC264ZH	DTP-16HC
		TITLE PORTABLE RF UNIT BLOCK DIAGRAM	
CHECK. BY	APPRO. BY	DRAWING No.	
REV. No.		UNIDEN CORP.	



DESIGN	DRAWN. BY	UNIDEN No.	MODEL No.
		UC264ZH	DTP-16HC
		TITLE PORTABLE MAIN BLOCK DIAGRAM	
CHECK. BY	APPRO. BY	DRAWING No.	
REV. No.		UNIDEN CORP.	