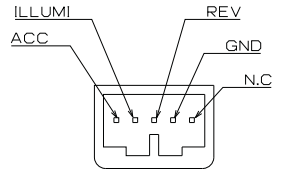
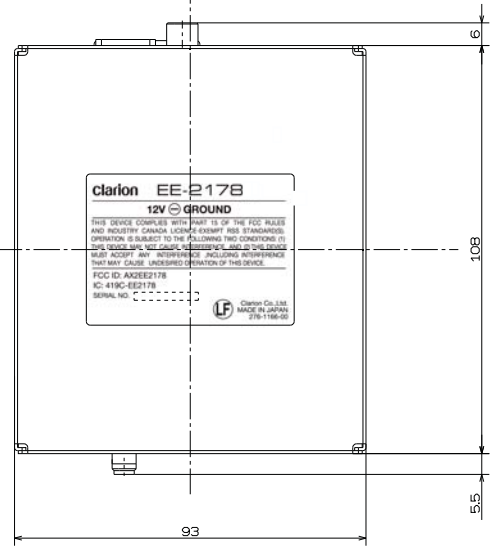
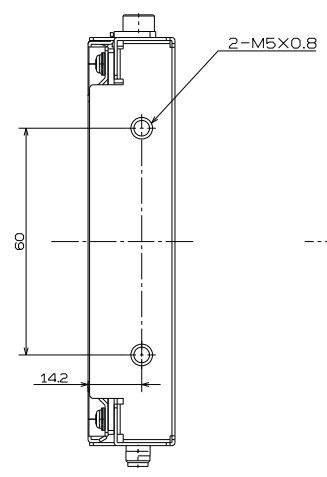
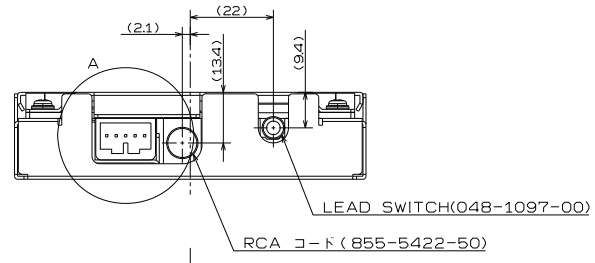


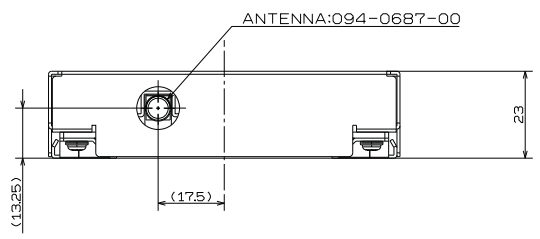
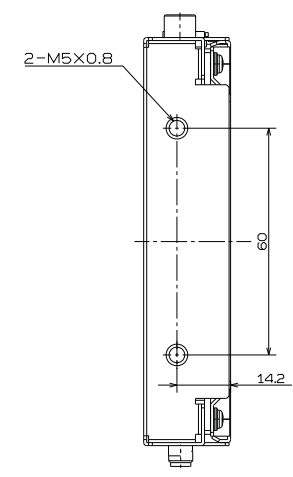
2D



SECTION A
(コネクターピン配列)
勘合相手部品:854-9078-50



Clarion EE-2178
12V GROUND
THIS DEVICE COMPLIES WITH PART 13 OF THE FCC RULES AND INDUSTRY CANADA LICENSE EXEMPT RRS STANDARDS. OPERATION IS SUBJECT TO THE FOLLOWING TWO CONDITIONS: (1) THIS DEVICE MAY NOT BE USED IN A MANNER THAT CAUSES UNDESIRABLE INTERFERENCE THAT MAY CAUSE UNDESIRABLE OPERATION OF THIS DEVICE.
FCC ID: A22EE2178
IC: 4190-EE2178
SERIAL NO: []



「フロン化学物質管理リスト」に従い、同リストに規定する環境負荷物質を使用しないこと。
Based on 「Clarion Hazardous Substances Table」
do not use hazardous substances prescribed in the same table.
所定のフォームで製品の含有物質を報告のこと。
Report the materials in the product by the prescribed form.

DWG NO. EE-2178E-A-AA

					DWG	佐藤(典)	130308	CAL WT(g)	MATERIAL	NAME
					DSGN	佐藤(典)	130308	ACT WT(g)	FINISH	DWG.NO
					CHK	竹川	130308			EE-2178E-A-AA
SYM	DATE	DSGN	REVISION	APPR		石川	130308			
MODEL	EE-2178E-A		DATE	130308		APPR		SCALE	1/1	Clarion Co.,Ltd.
							UNIT	MM	TOL	