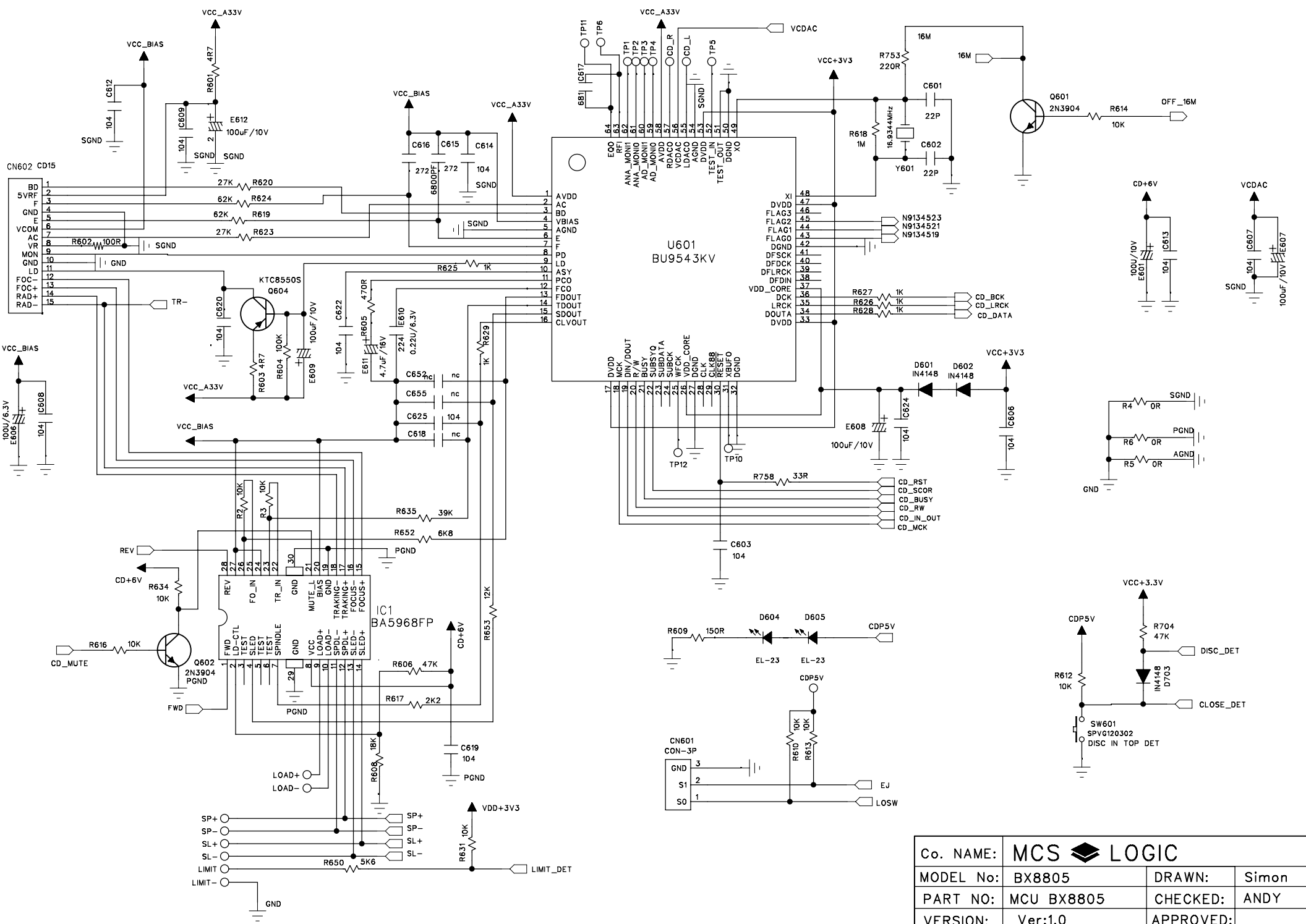
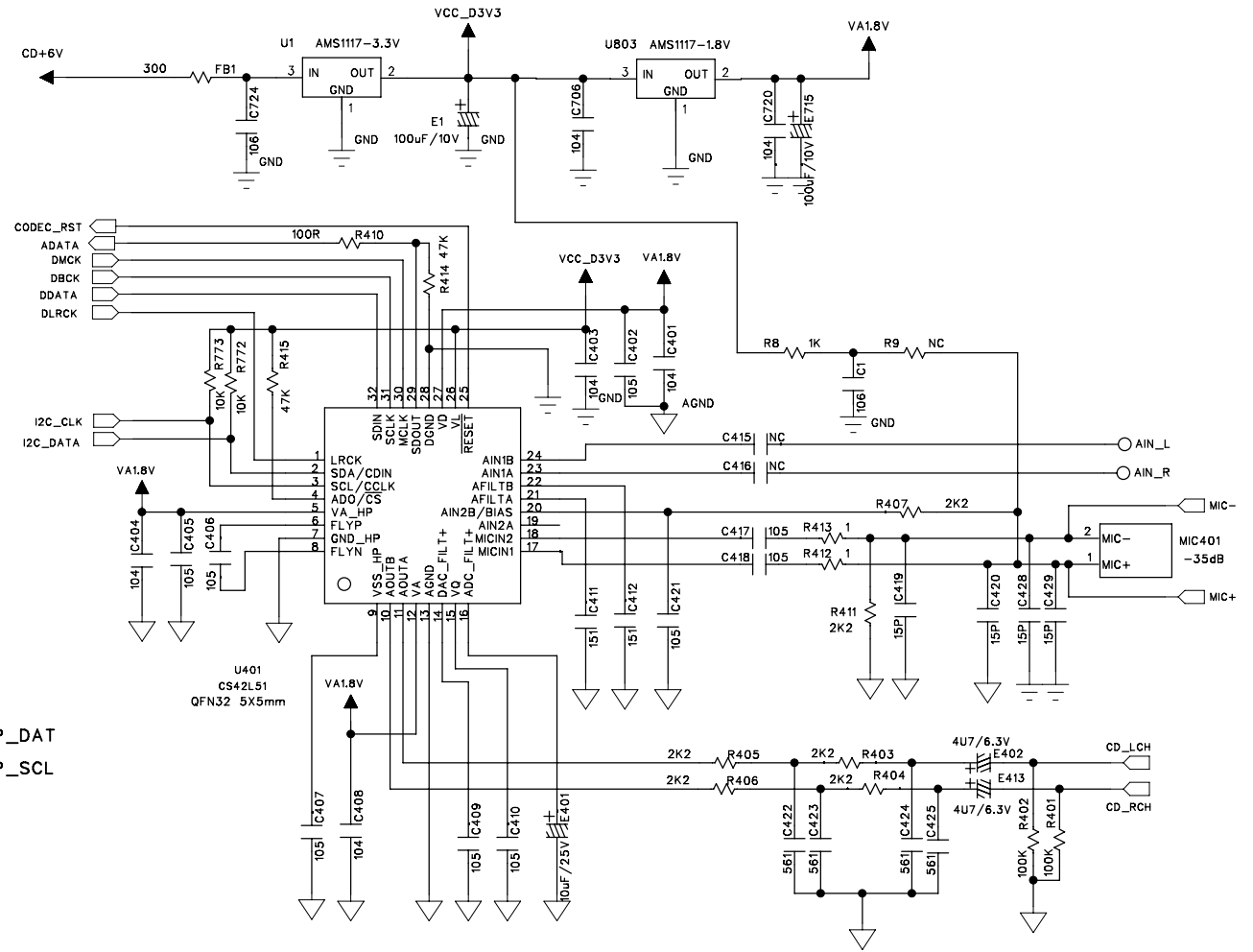
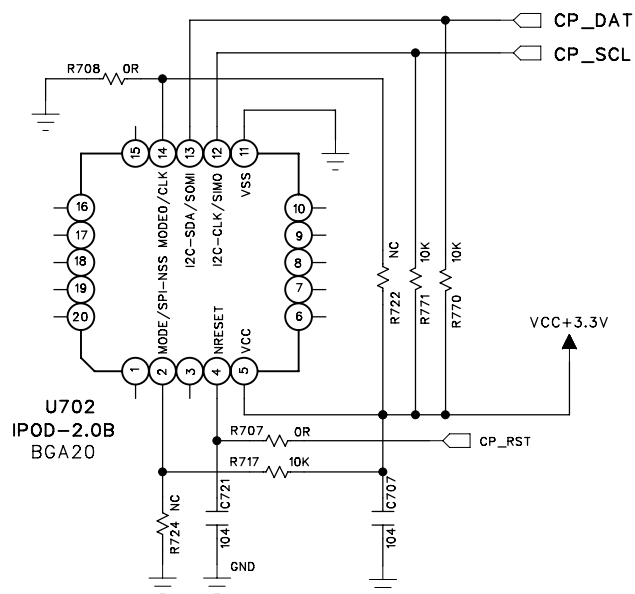
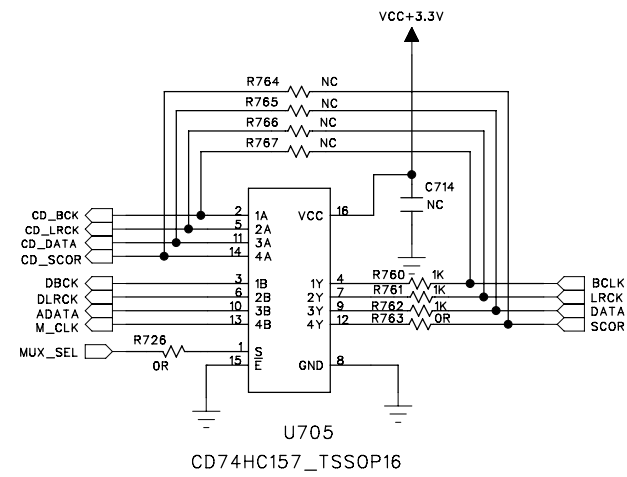


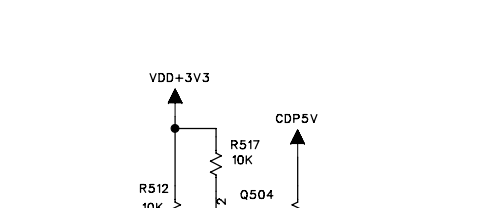
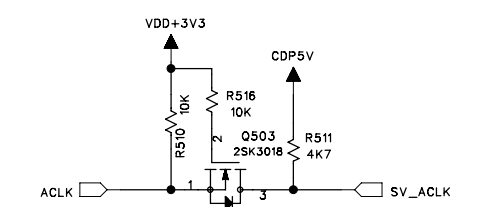
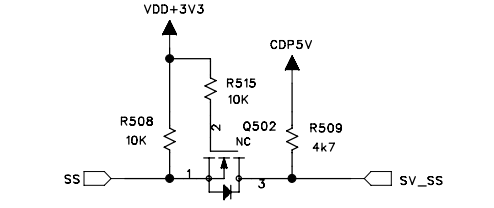
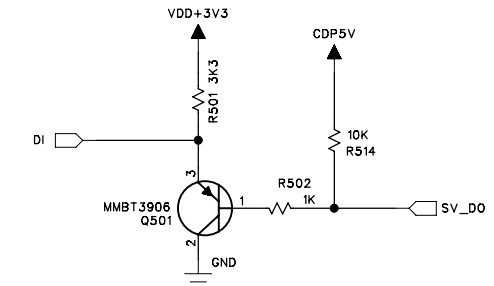
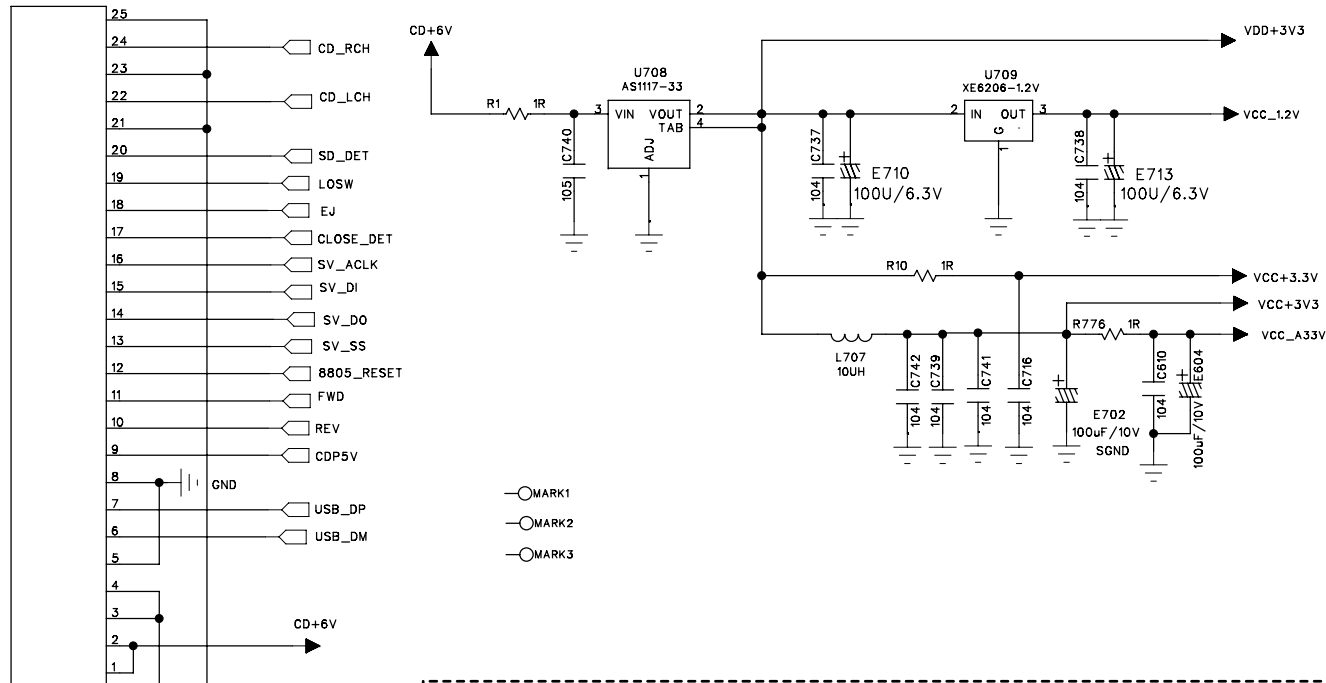
Co. NAME:	MCS LOGIC		
MODEL No:	BX8805	DRAWN:	Simon
PART NO:	MCU BX8805	CHECKED:	ANDY
VERSION:	Ver:1.0	APPROVED:	
PAGE:	1 OF 4	DATE:	081108



Co. NAME:	MCS LOGIC		
MODEL No:	BX8805	DRAWN:	Simon
PART NO:	MCU BX8805	CHECKED:	ANDY
VERSION:	Ver:1.0	APPROVED:	
PAGE:	1 OF 4	DATE:	081108

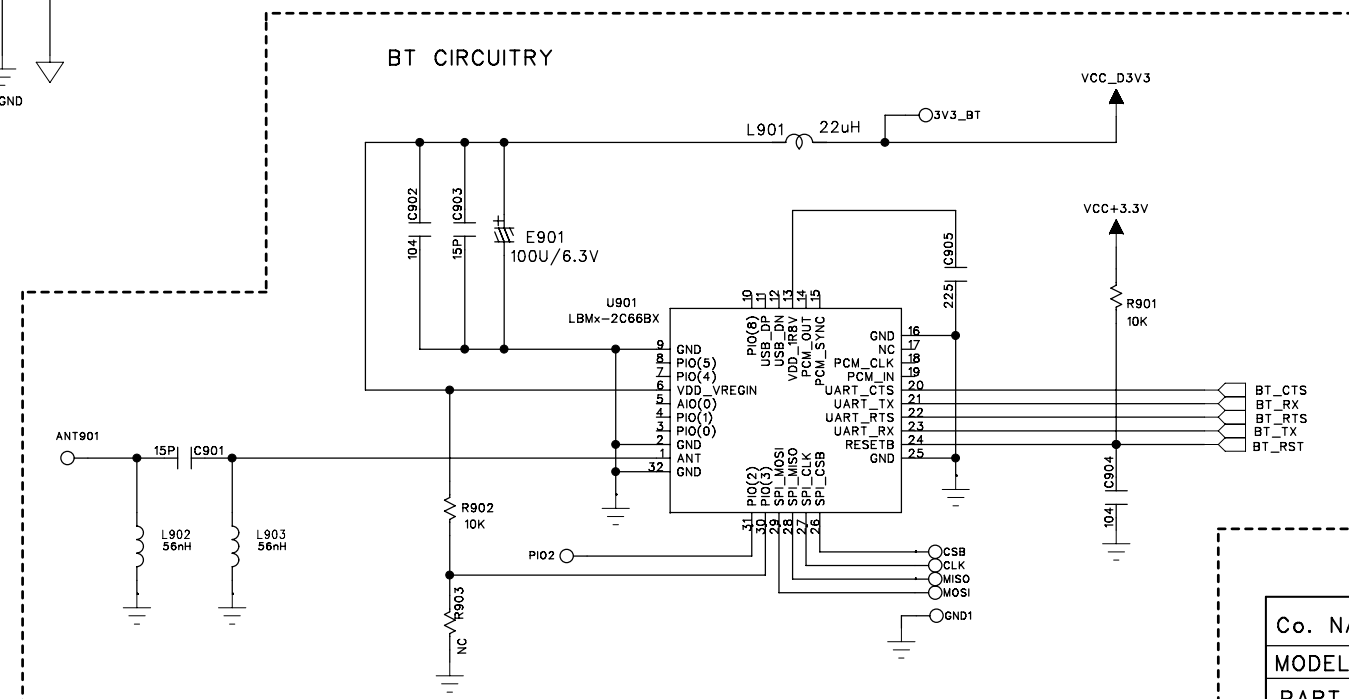



Co. NAME:	MCS LOGIC		
MODEL No:	BX8805	DRAWN:	Simon
PART NO:	MCU BX8805	CHECKED:	ANDY
VERSION:	Ver:1.0	APPROVED:	
PAGE:	1 OF 4	DATE:	081108



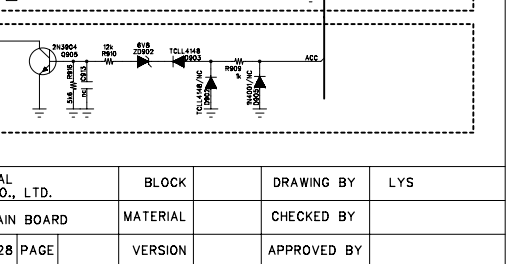
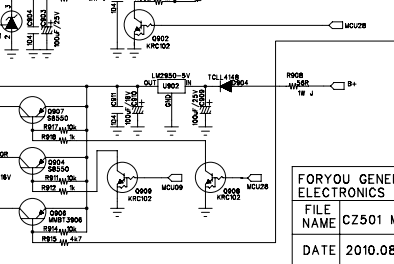
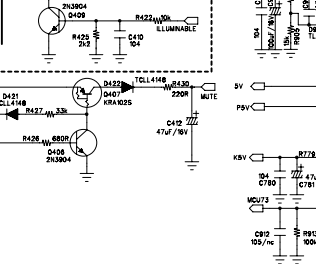
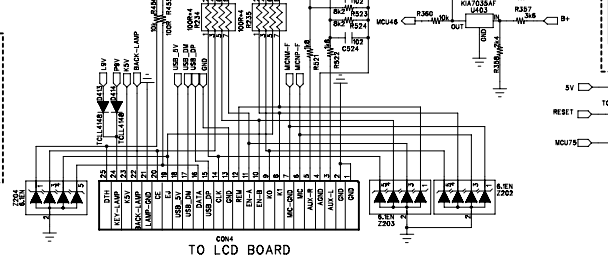
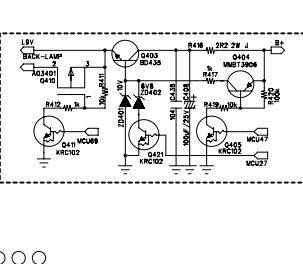
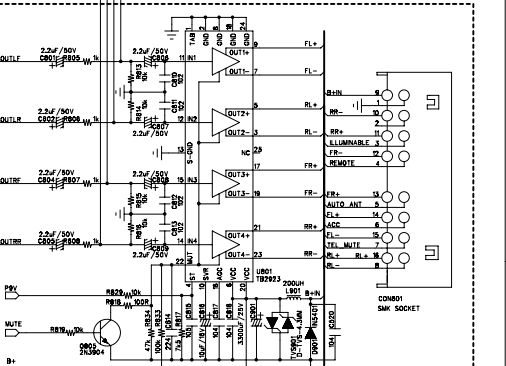
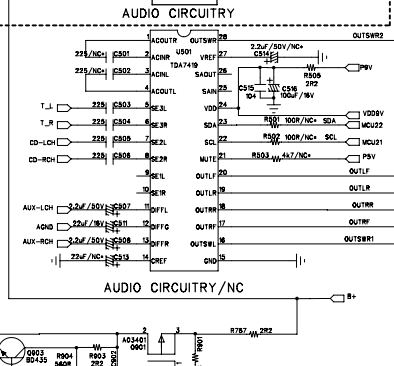
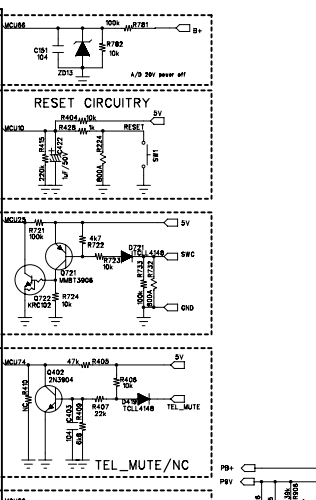
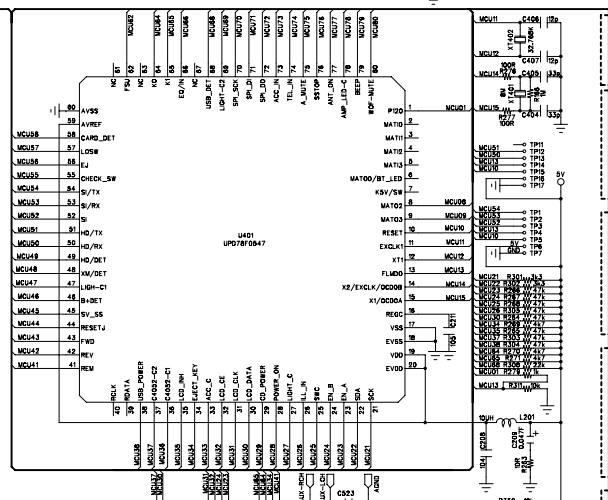
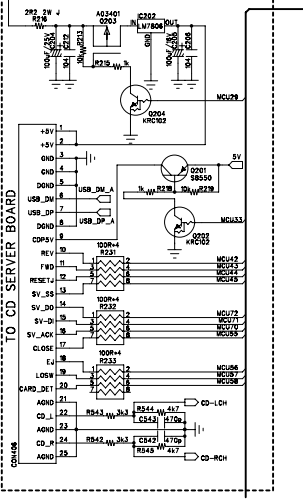
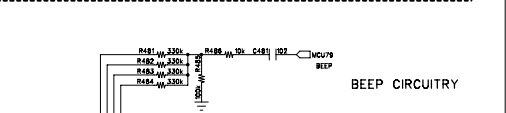
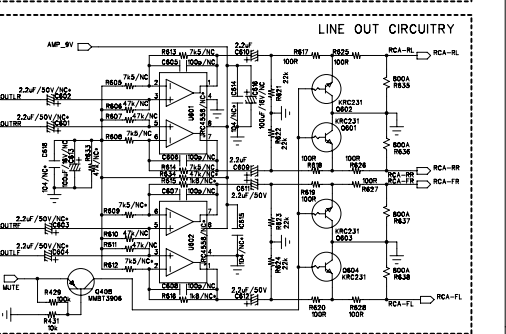
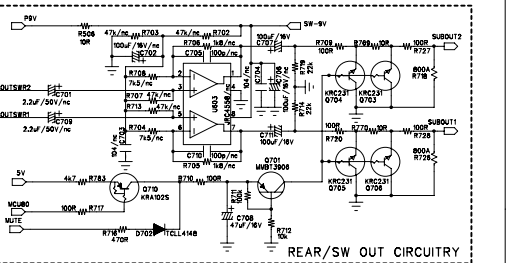
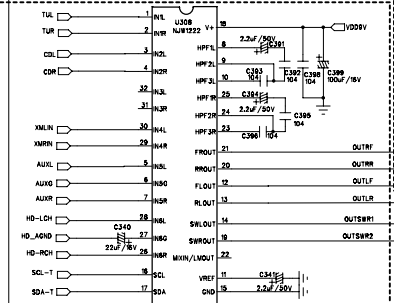
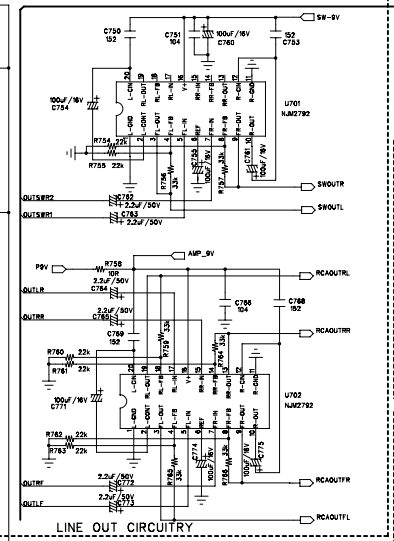
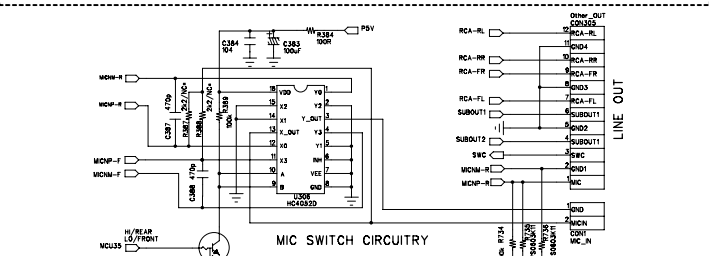
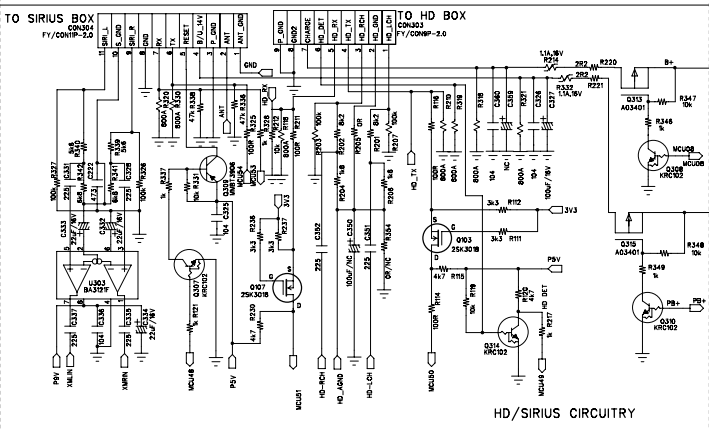
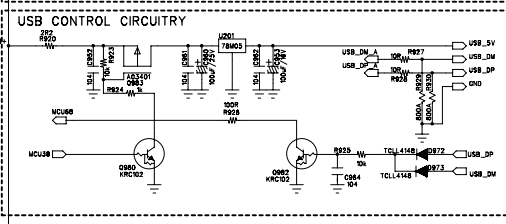
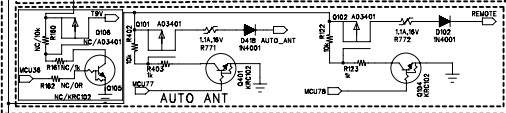
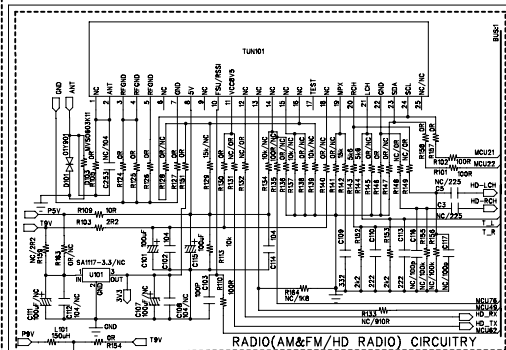
- MARK1
- MARK2
- MARK3

### BT CIRCUITRY



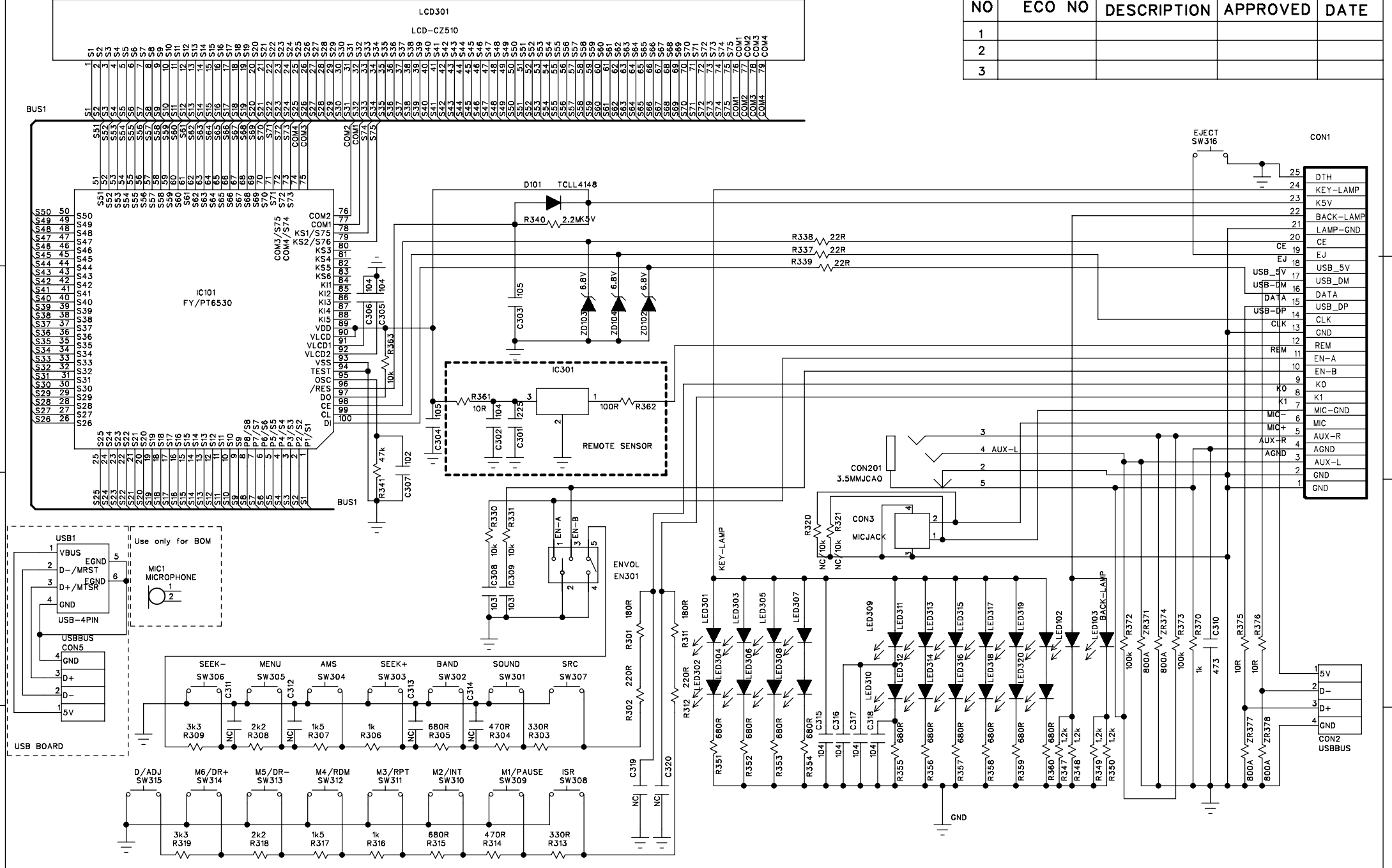
Co. NAME:	MCS  LOGIC		
MODEL No:	BX8805	DRAWN:	Simon
PART NO:	MCU BX8805	CHECKED:	ANDY
VERSION:	Ver:1.0	APPROVED:	
PAGE:	1 OF 4	DATE:	081108

REVISION RECORD				
NO	ECO NO	DESCRIPTION	APPROVED	DATE
1				
2				
3				
4				
5				



FORYOU GENERAL ELECTRONICS CO., LTD.		BLOCK	DRAWING BY	LYS
FILE NAME	CZ501 MAIN BOARD	MATERIAL	CHECKED BY	
DATE	2010.08.28	VERSION	APPROVED BY	
PAGE				

NO	ECO NO	DESCRIPTION	APPROVED	DATE
1				
2				
3				



FORYOU GENERAL ELECTRONICS CO., LTD.		BLOCK	DRAWING BY	WEI WEN HUI
FILE NAME	CZ501 series, CZ301E	MATERIAL	CHECKED BY	
DATE		VERSION	APPROVED BY	