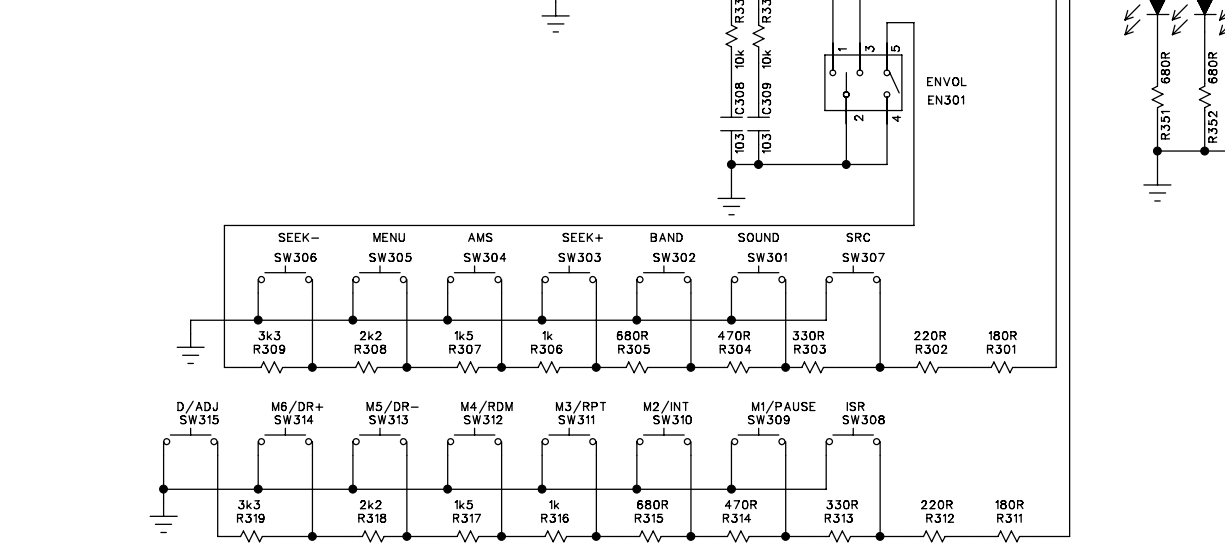
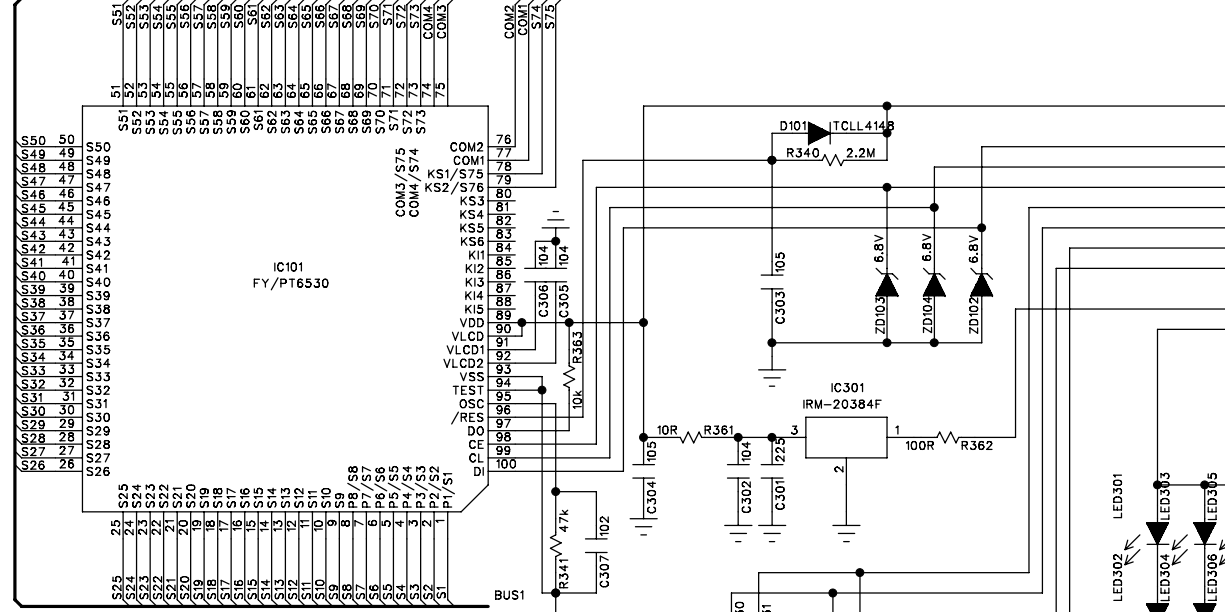
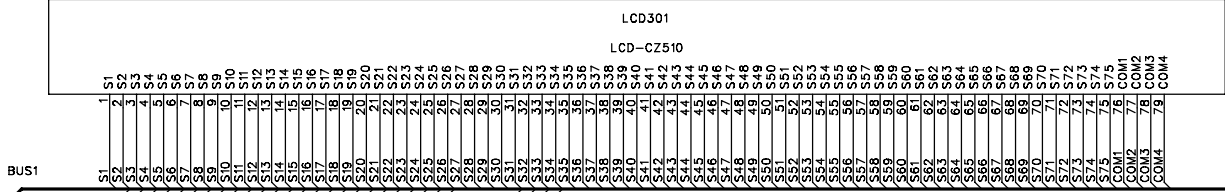
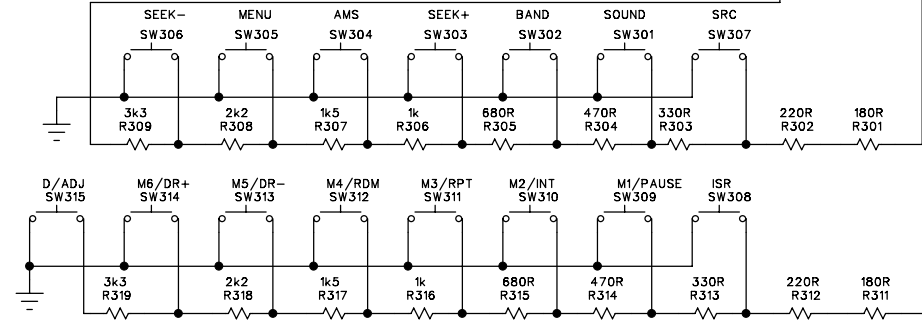
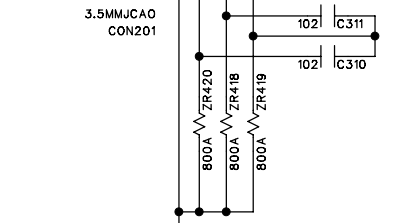
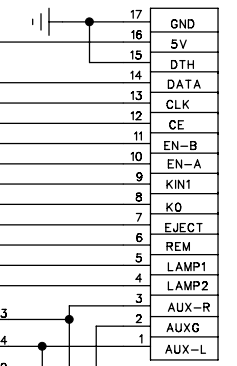


NO	ECO NO	DESCRIPTION	APPROVED	DATE
1				
2				
3				

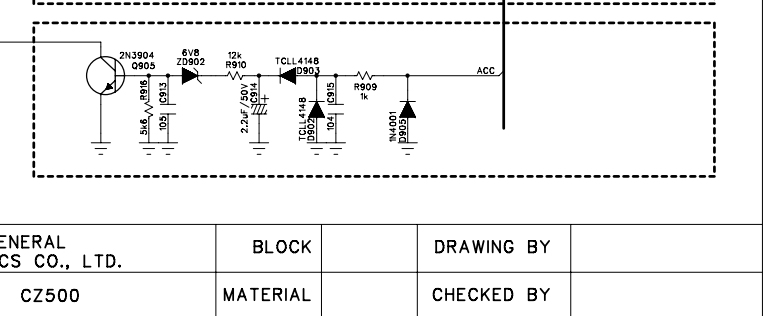
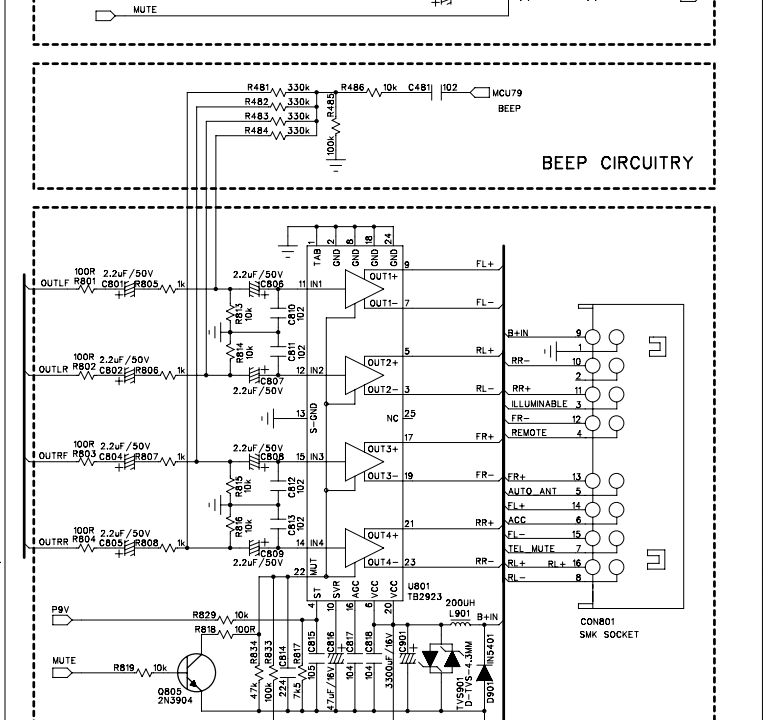
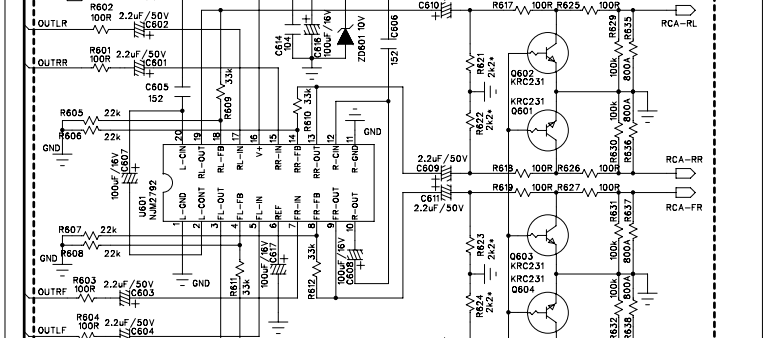
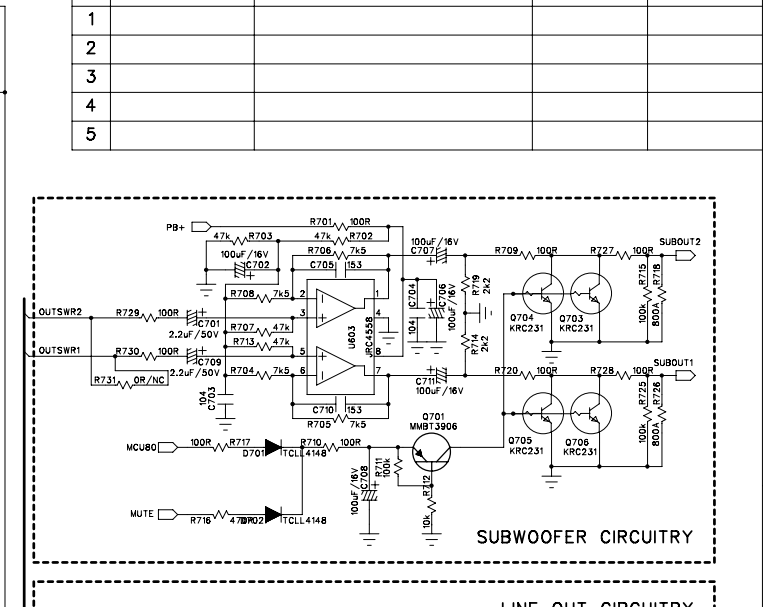
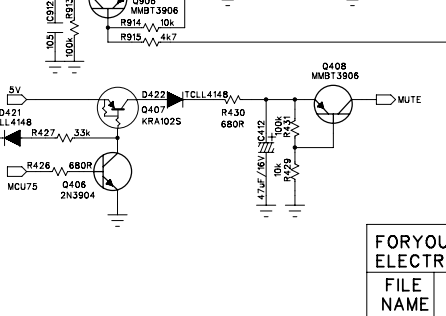
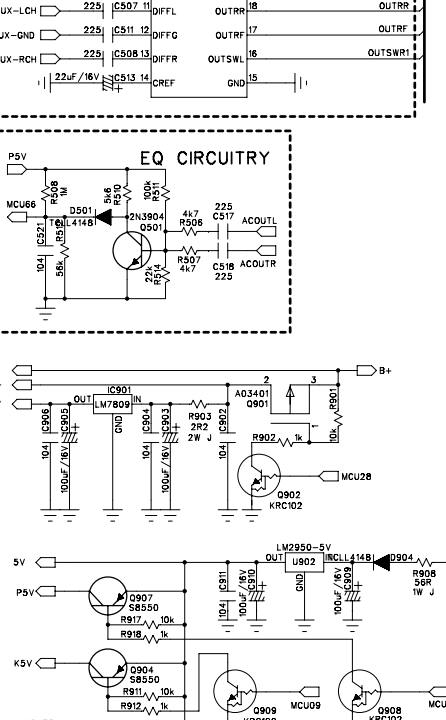
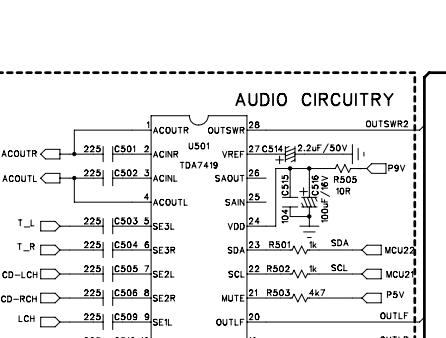
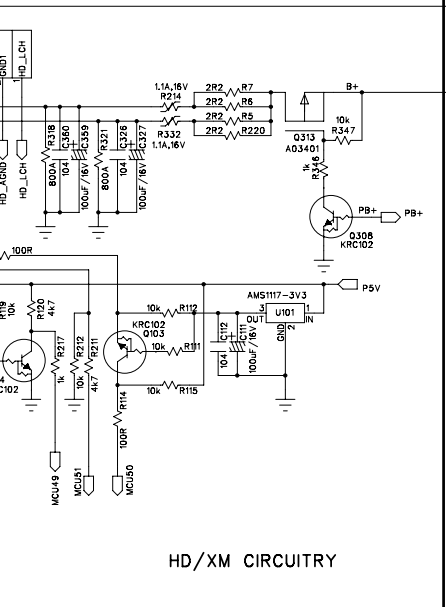
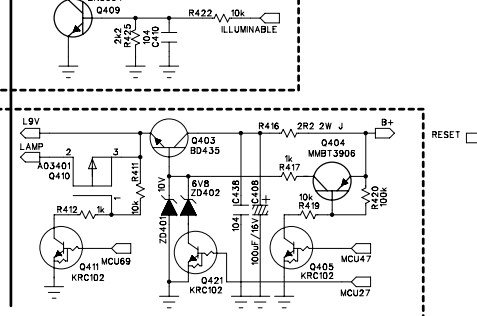
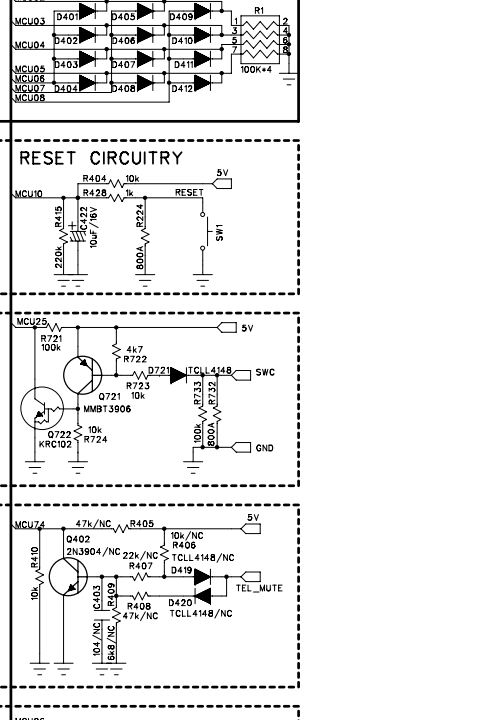
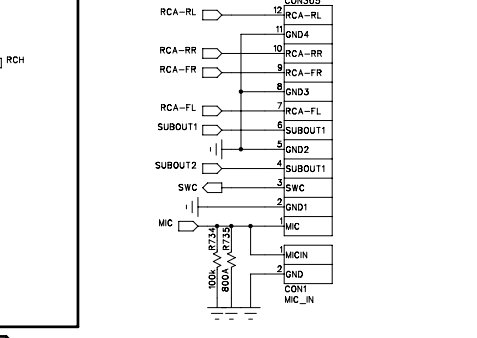
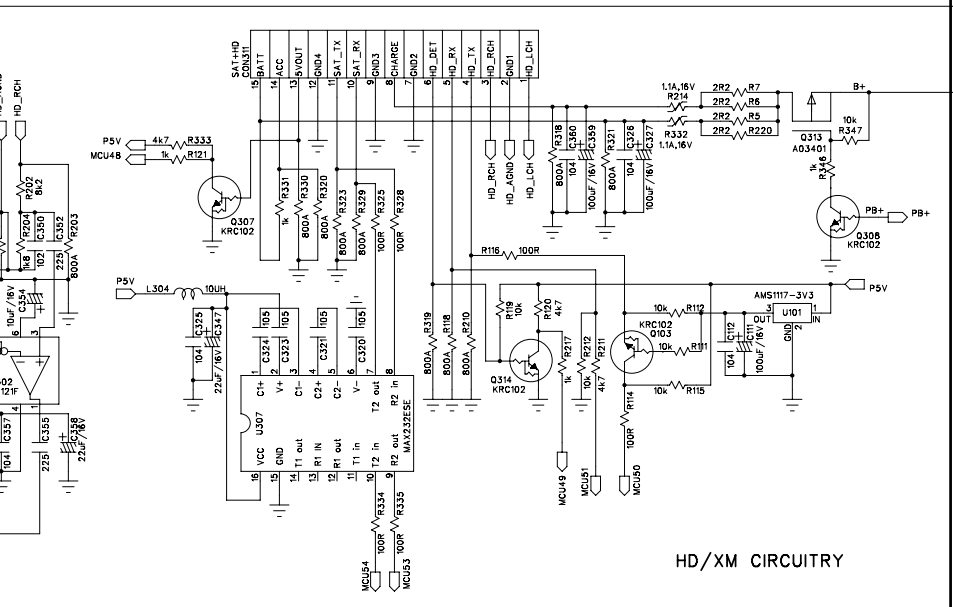
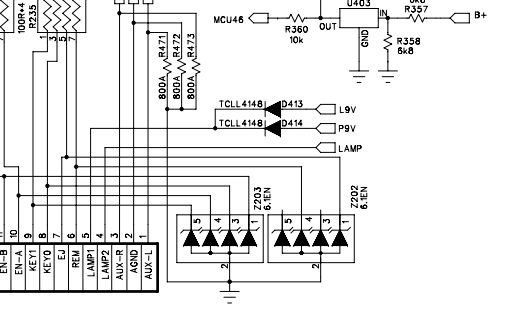
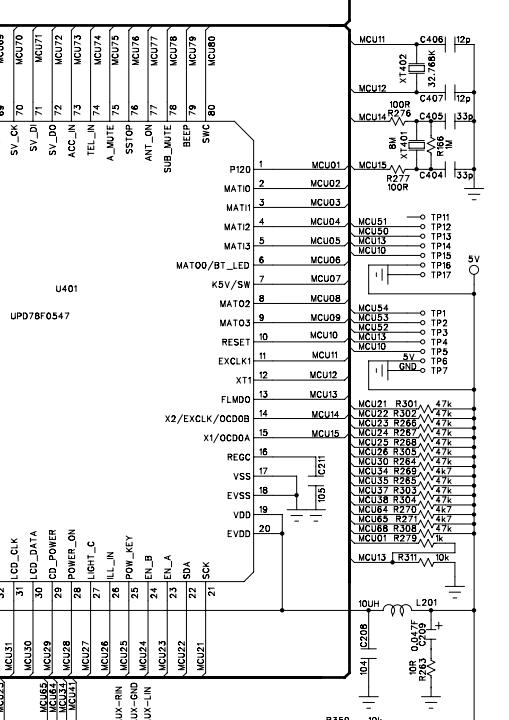
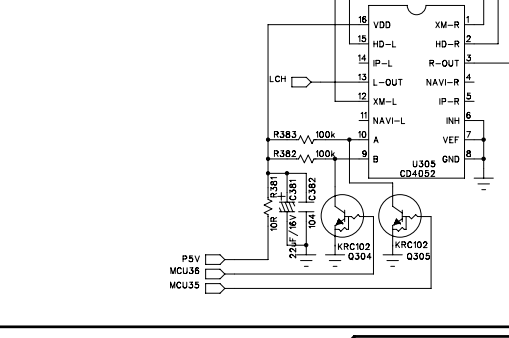
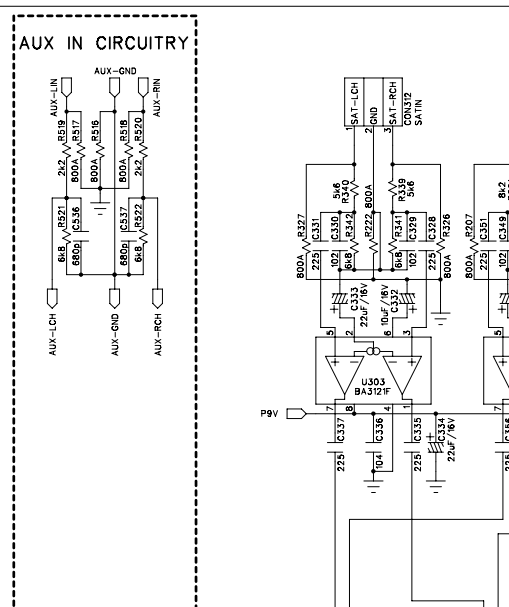
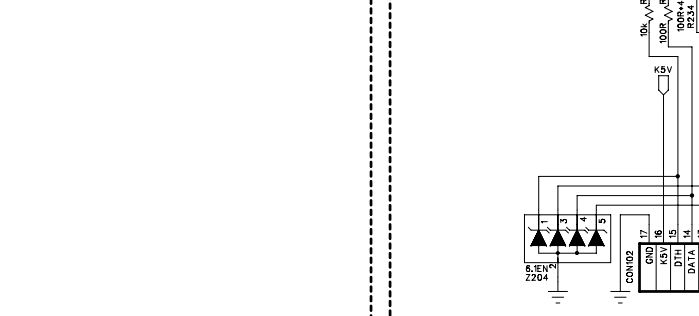
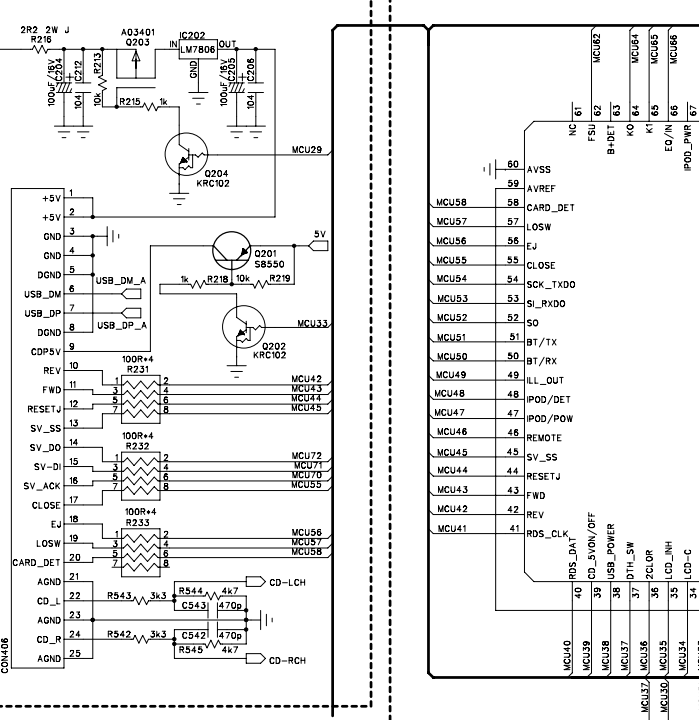
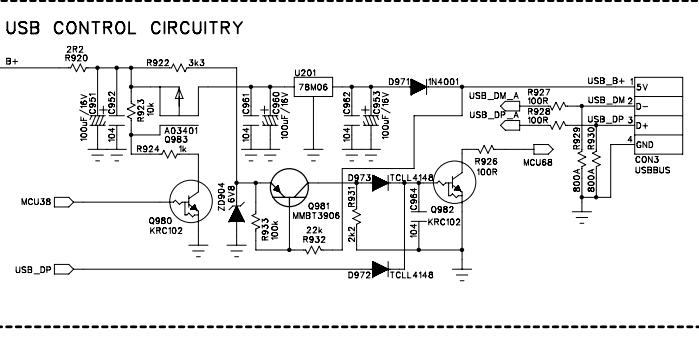
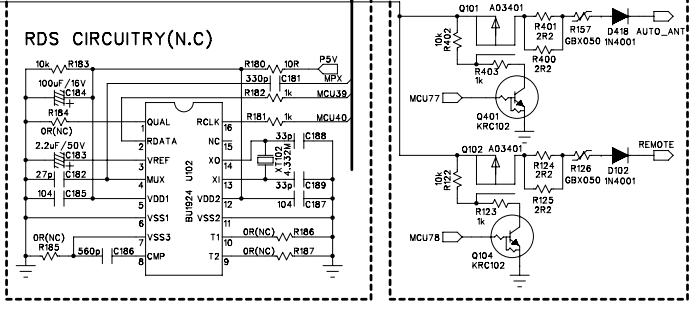
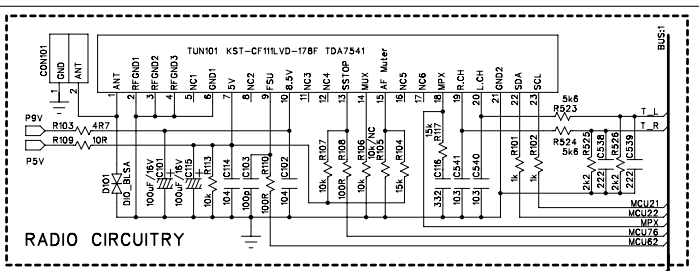


CON-17P  
CON101



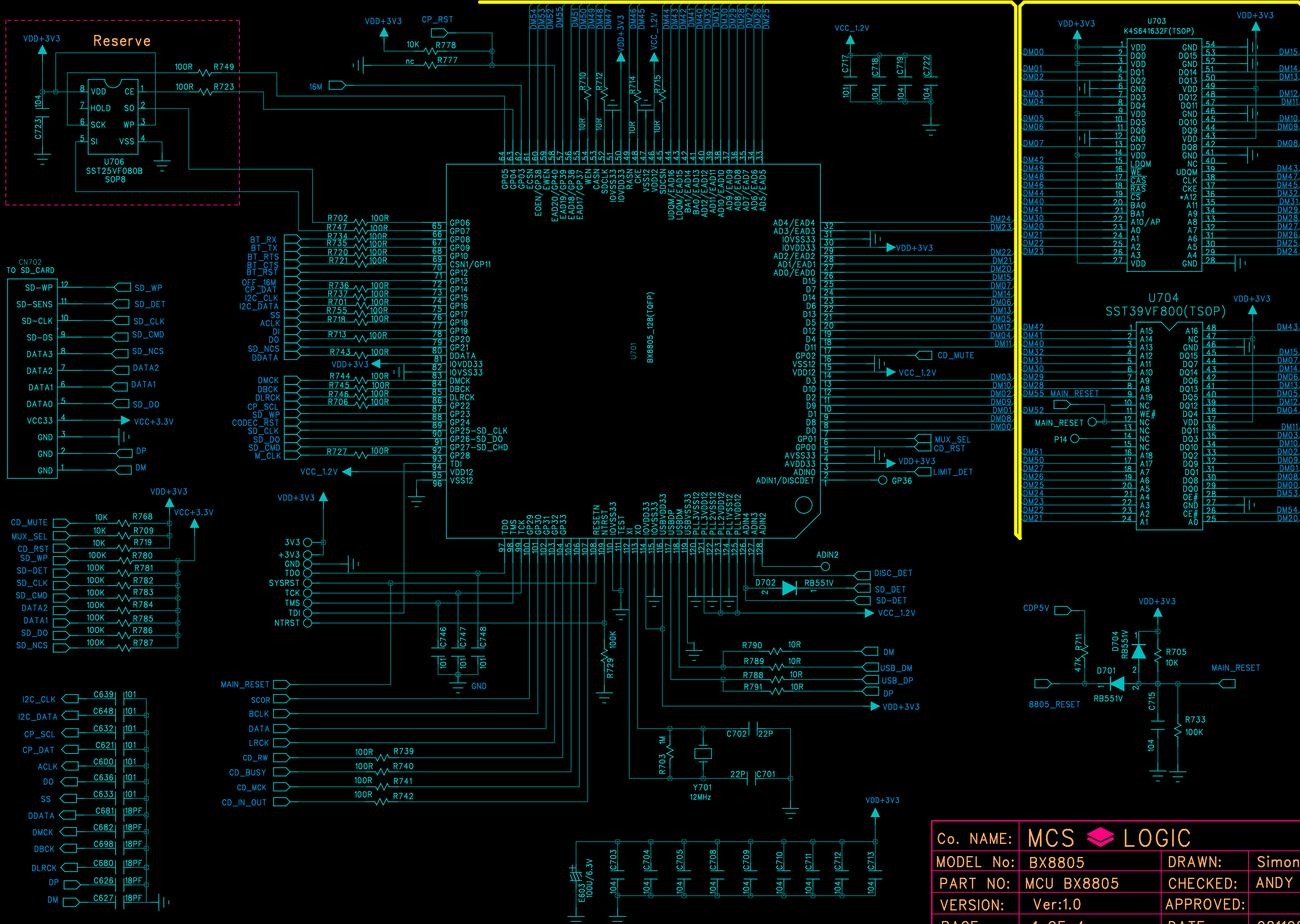
FORYOU GENERAL ELECTRONICS CO., LTD.		BLOCK	DRAWING BY
FILE NAME	CZ500/CZ500E/CZ500A KB SCH	MATERIAL	CHECKED BY
DATE		VERSION	APPROVED BY



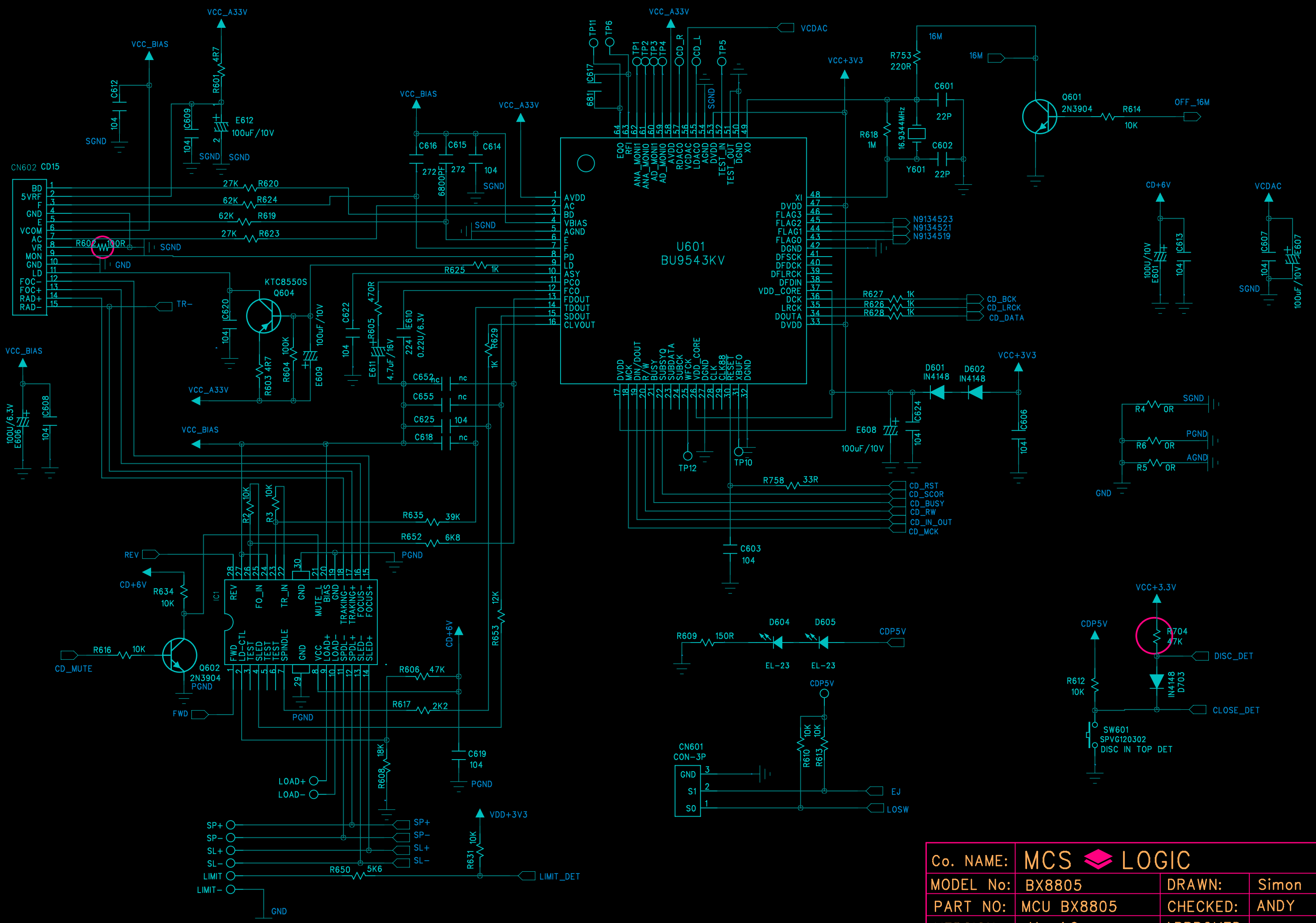


REVISION RECORD				
NO	ECO NO	DESCRIPTION	APPROVED	DATE
1				
2				
3				
4				
5				

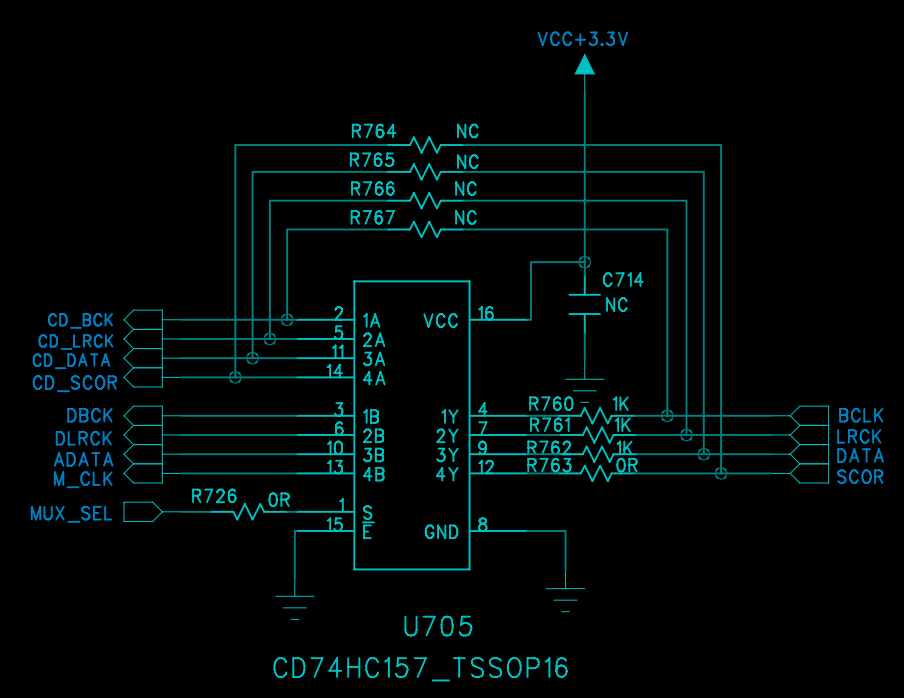
FORYOU GENERAL ELECTRONICS CO., LTD.		BLOCK	DRAWING BY
FILE NAME	CZ500	MATERIAL	CHECKED BY
DATE	09.08.28	VERSION	T2
PAGE		APPROVED BY	



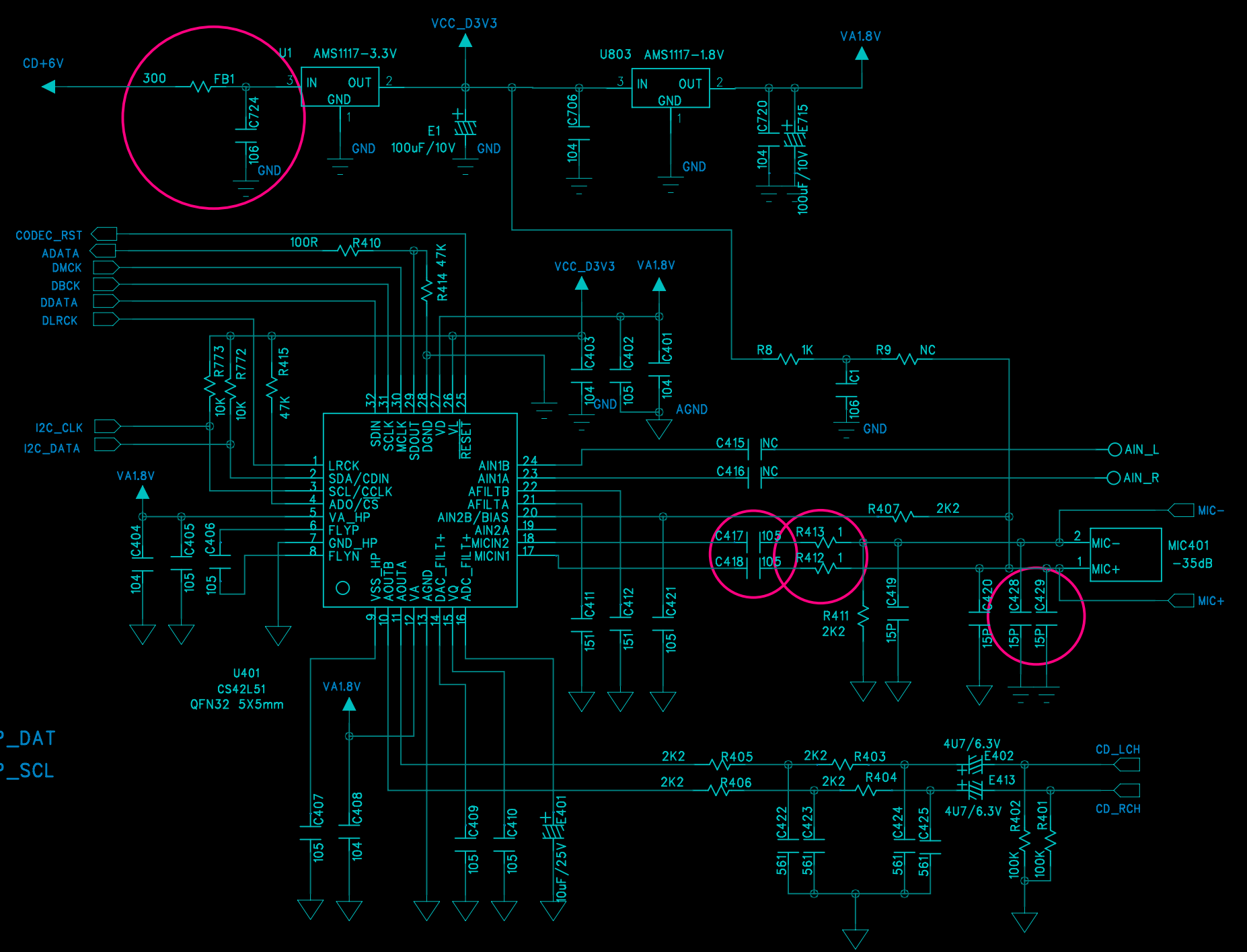
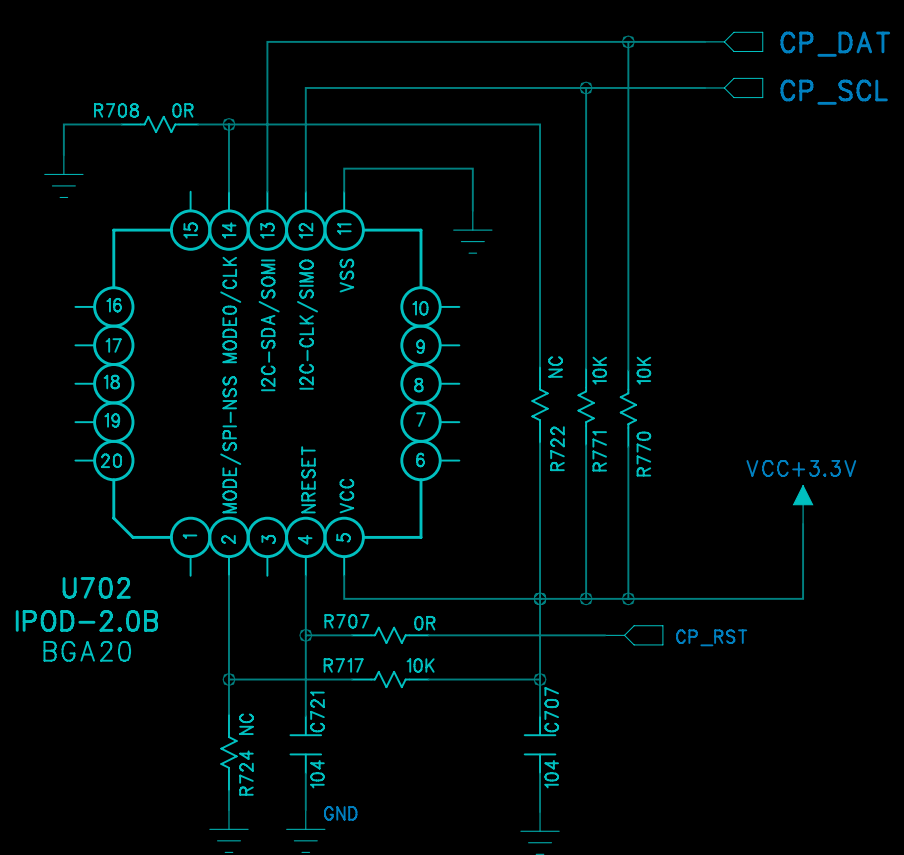
Co. NAME:	MCS LOGIC		
MODEL No:	BX8805	DRAWN:	Simon
PART NO:	MCU BX8805	CHECKED:	ANDY
VERSION:	Ver:1.0	APPROVED:	
PAGE:	1 OF 4	DATE:	081108




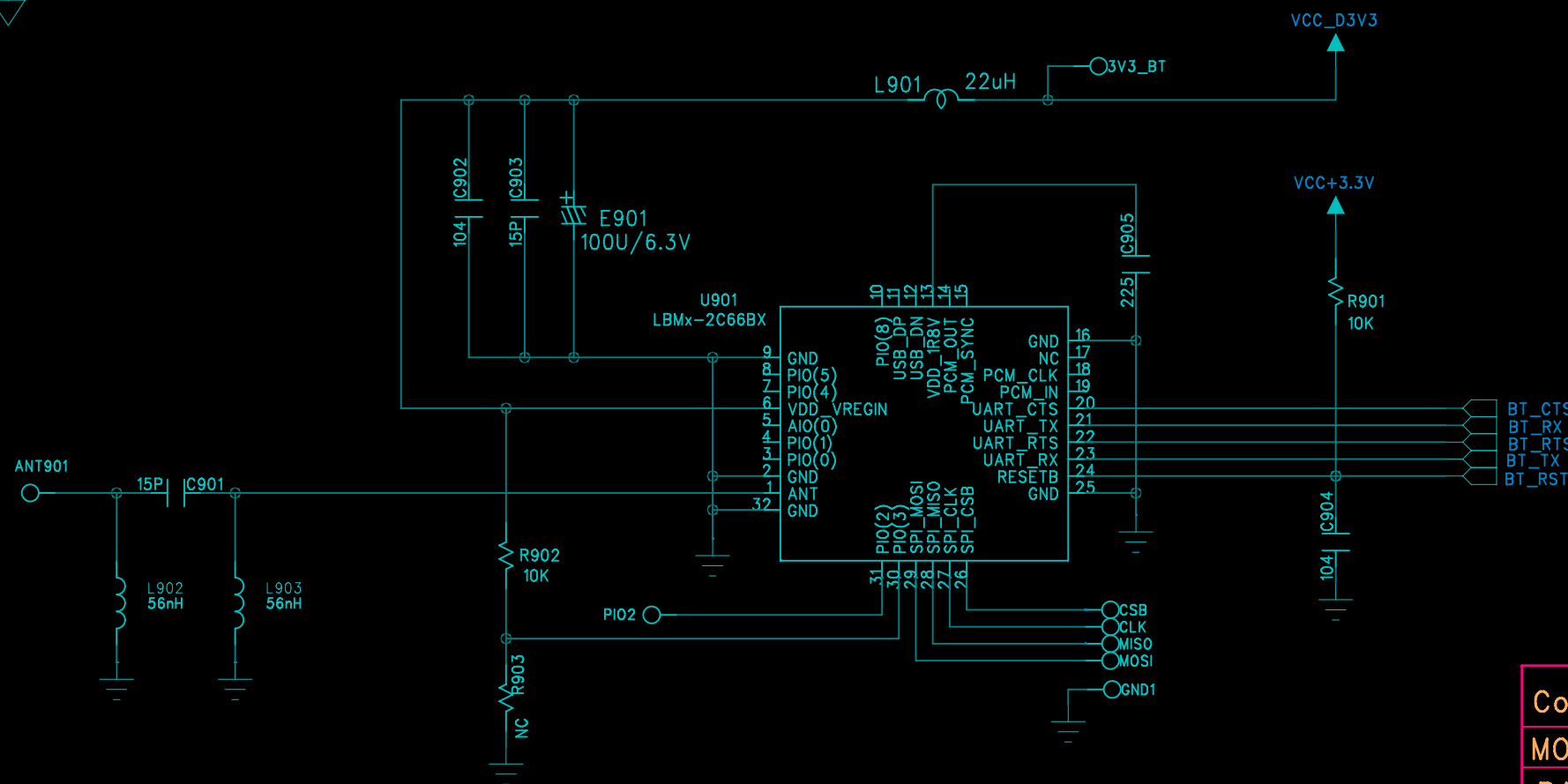
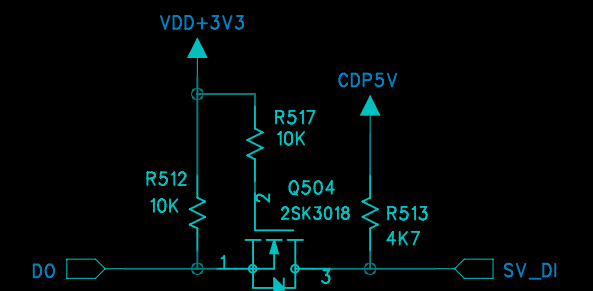
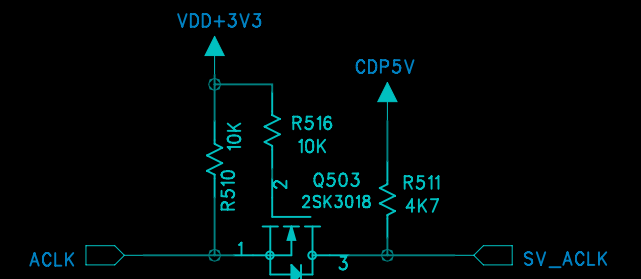
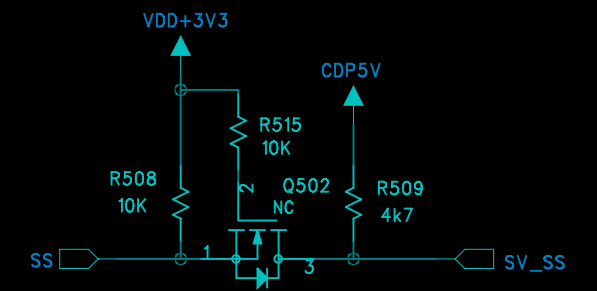
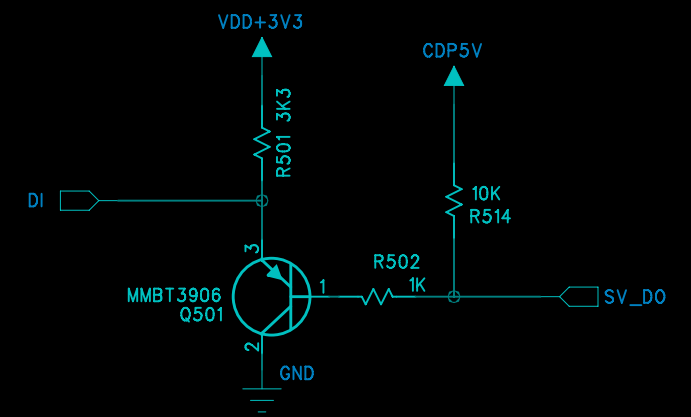
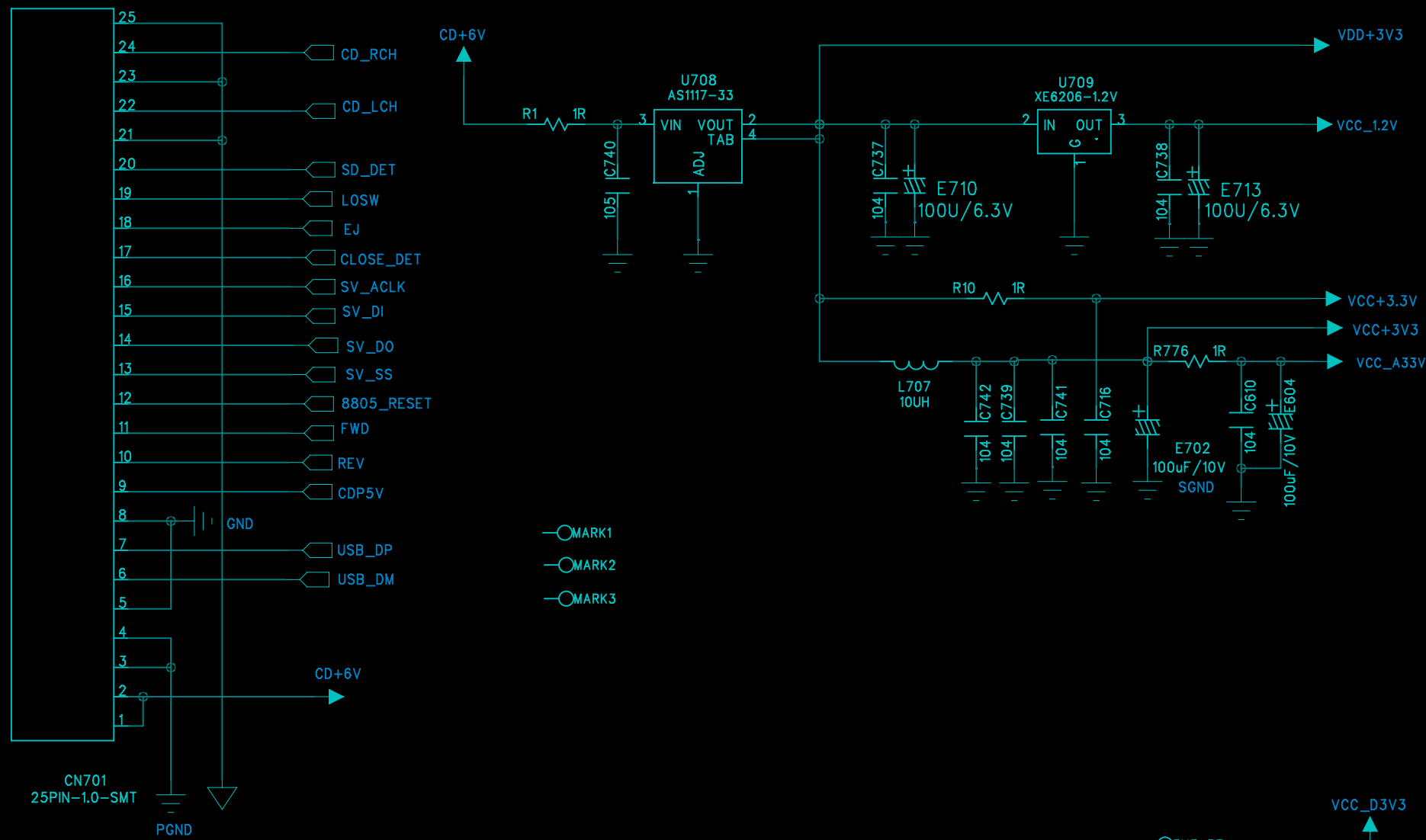
Co. NAME:	MCS LOGIC		
MODEL No:	BX8805	DRAWN:	Simon
PART NO:	MCU BX8805	CHECKED:	ANDY
VERSION:	Ver:1.0	APPROVED:	
PAGE:	1 OF 4	DATE:	081108




U702  
IPOD-2.0B  
BGA20



Co. NAME:	MCS  LOGIC		
MODEL No:	BX8805	DRAWN:	Simon
PART NO:	MCU BX8805	CHECKED:	ANDY
VERSION:	Ver:1.0	APPROVED:	
PAGE:	1 OF 4	DATE:	081108



Co. NAME:	MCS  LOGIC		
MODEL No:	BX8805	DRAWN:	Simon
PART NO:	MCU BX8805	CHECKED:	ANDY
VERSION:	Ver:1.0	APPROVED:	
PAGE:	1 OF 4	DATE:	081108