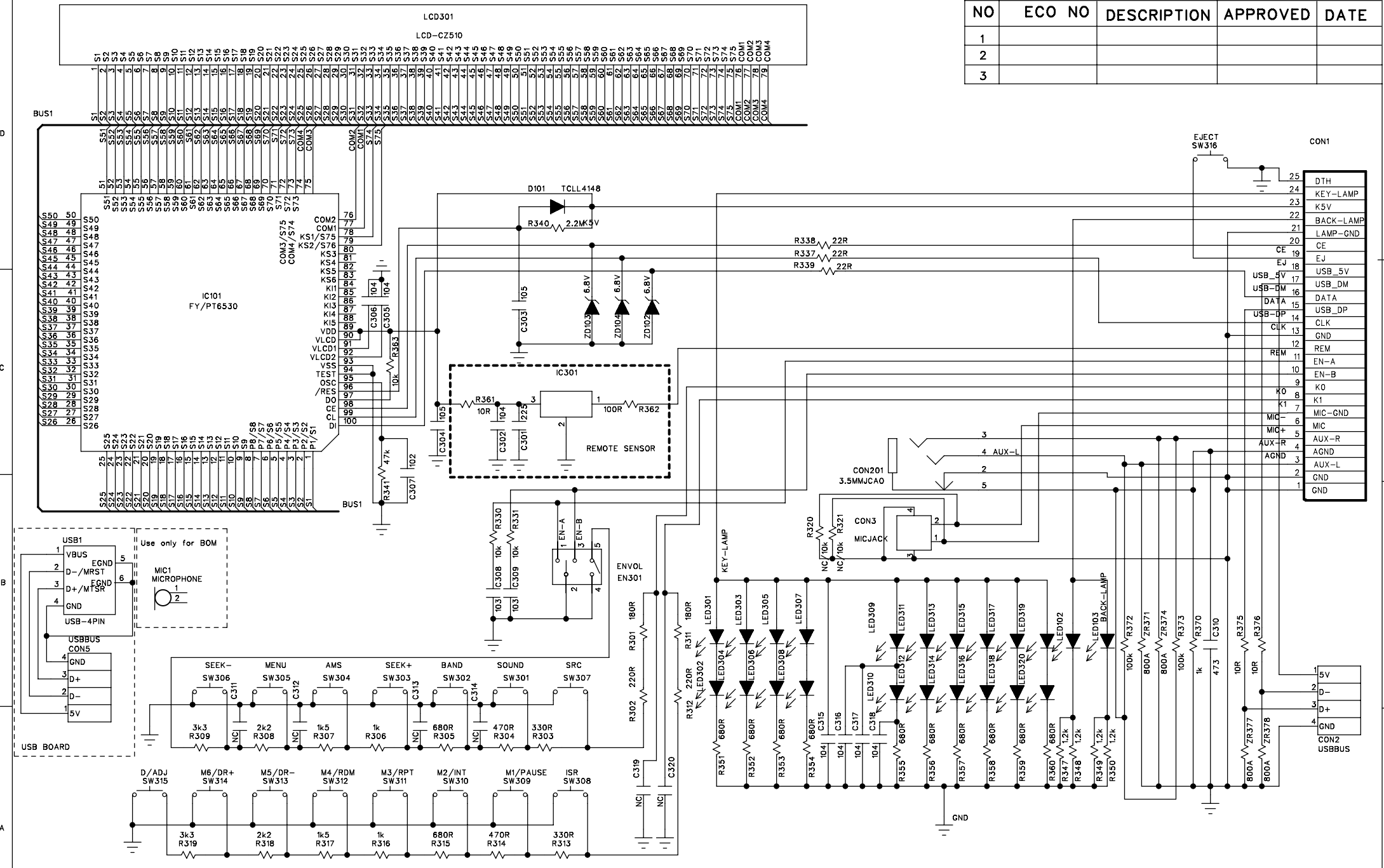


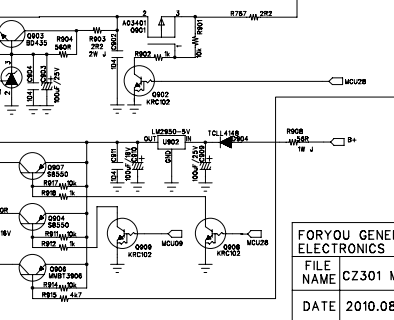
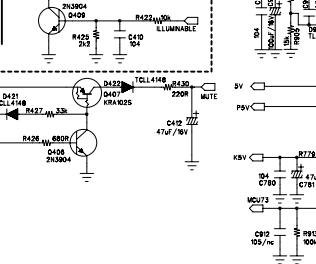
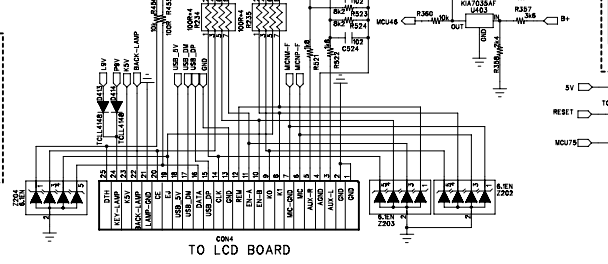
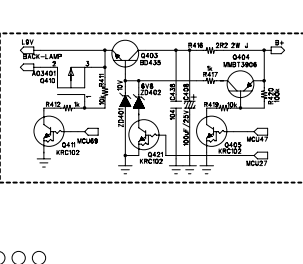
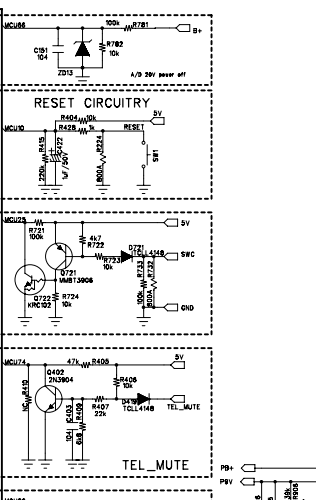
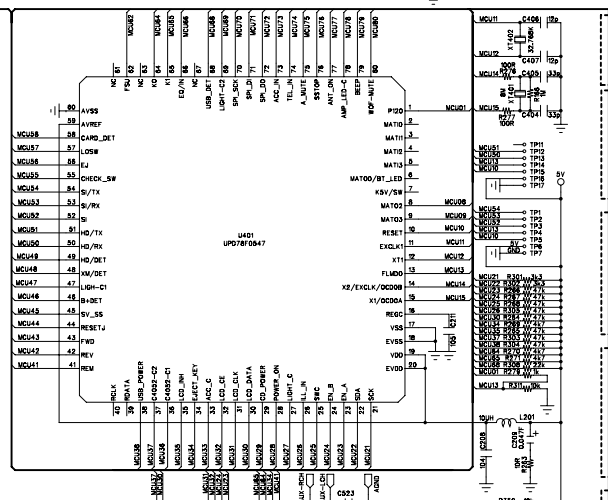
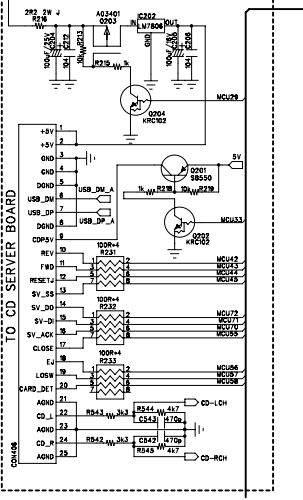
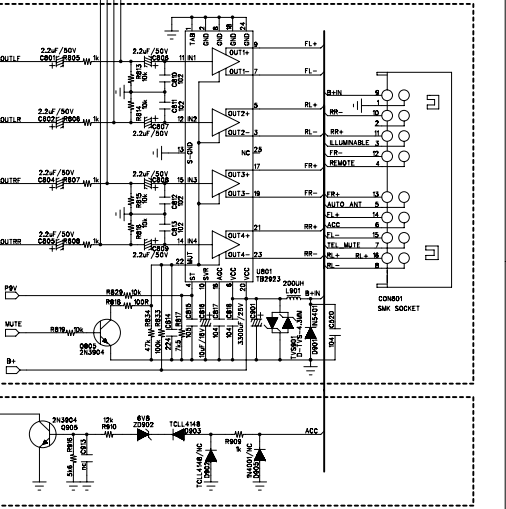
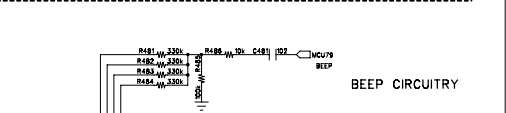
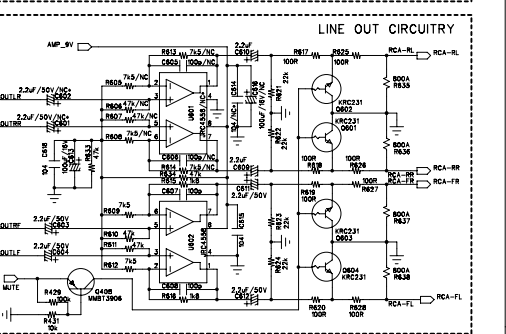
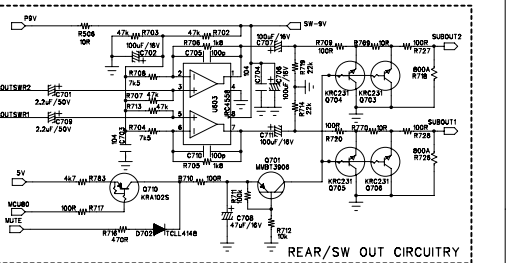
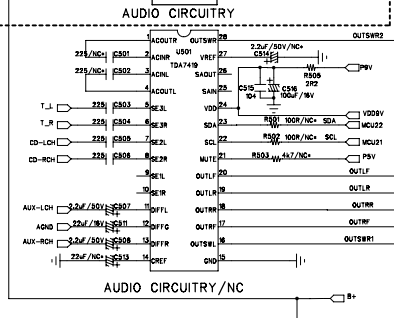
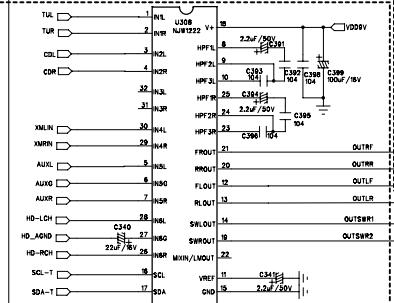
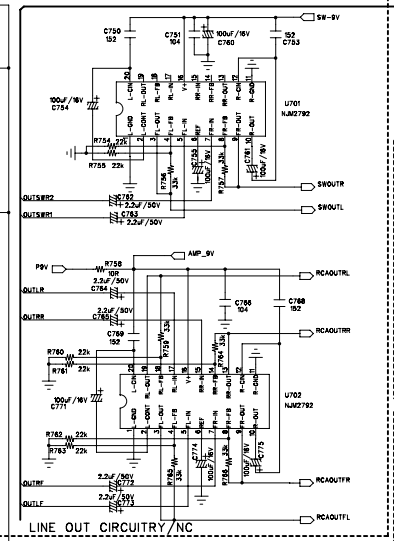
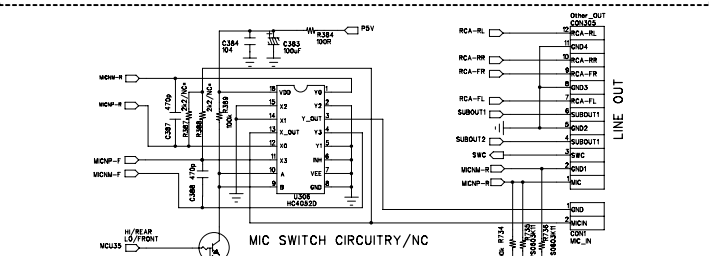
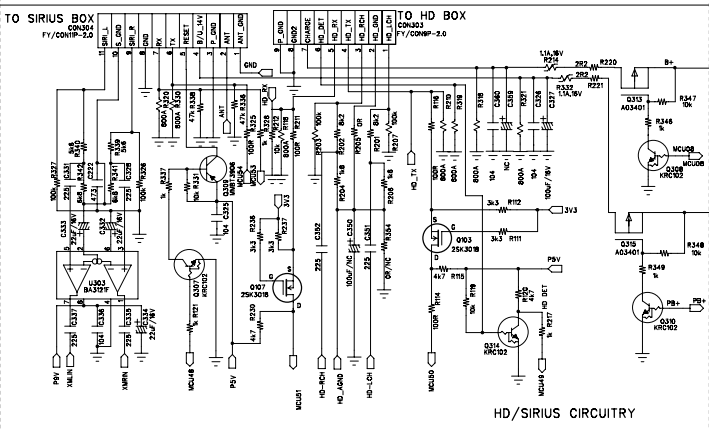
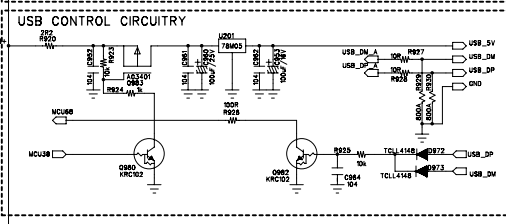
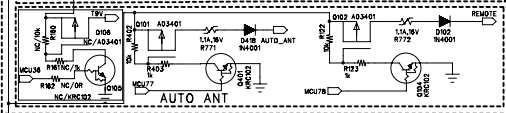
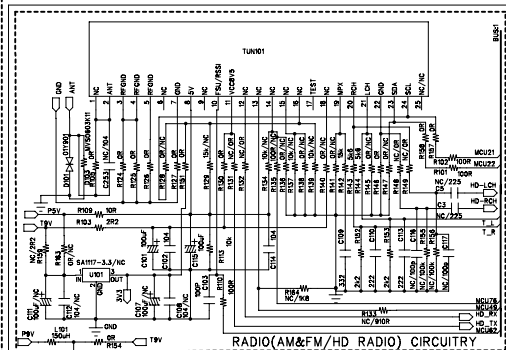
NO	ECO NO	DESCRIPTION	APPROVED	DATE
1				
2				
3				



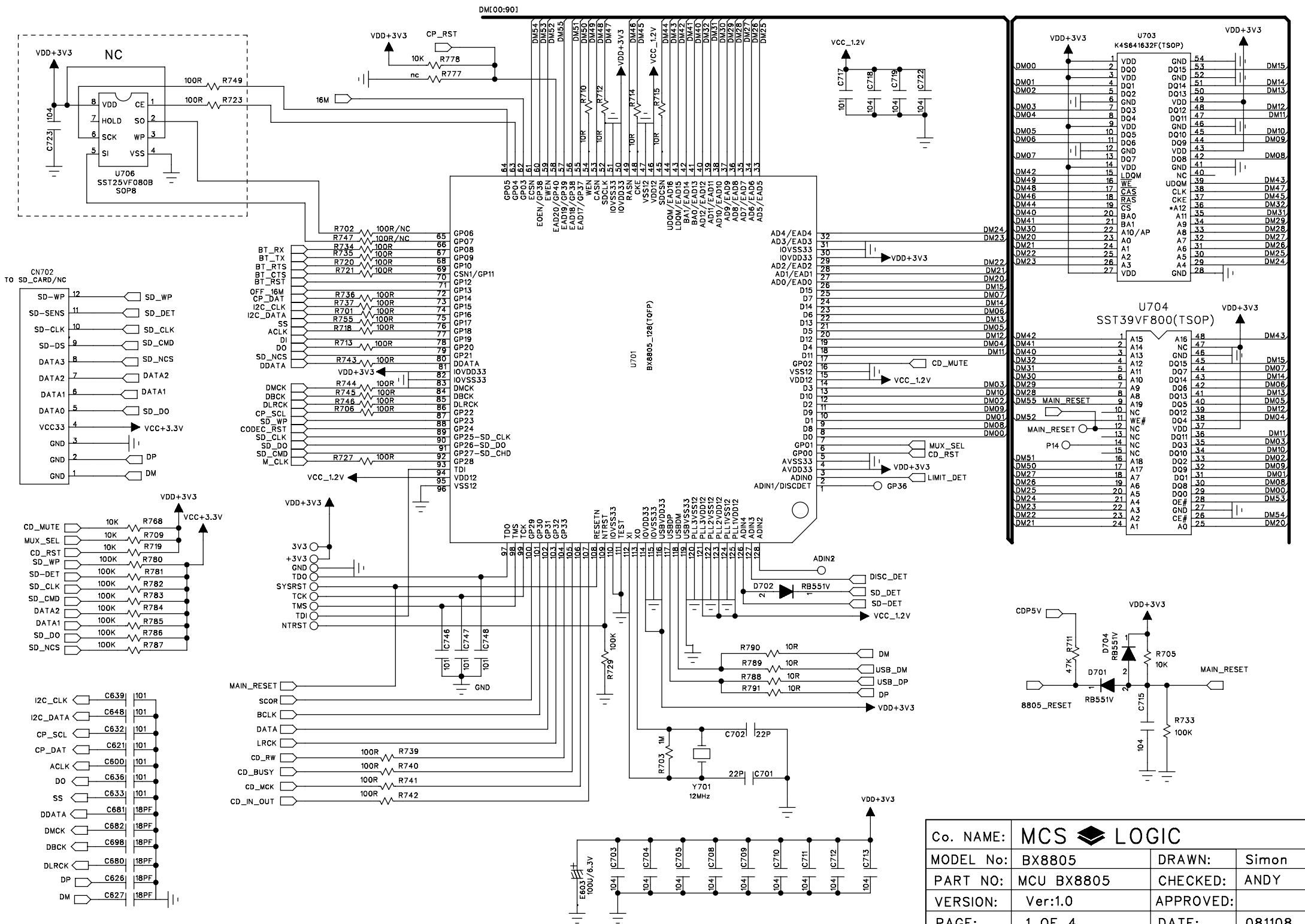
CON1	DESCRIPTION
25	DTH
24	KEY-LAMP
23	K5V
22	BACK-LAMP
21	LAMP-GND
20	CE
19	EJ
18	USB_5V
17	USB_DM
16	DATA
15	USB_DP
14	CLK
13	GND
12	REM
11	EN-A
10	EN-B
9	KO
8	K1
7	MIC-GND
6	MIC
5	AUX-R
4	AGND
3	AUX-L
2	GND
1	GND

FORYOU GENERAL ELECTRONICS CO., LTD.		BLOCK	DRAWING BY	WEI WEN HUI
FILE NAME	CZ501 series, CZ301E	MATERIAL	CHECKED BY	
DATE		VERSION	APPROVED BY	

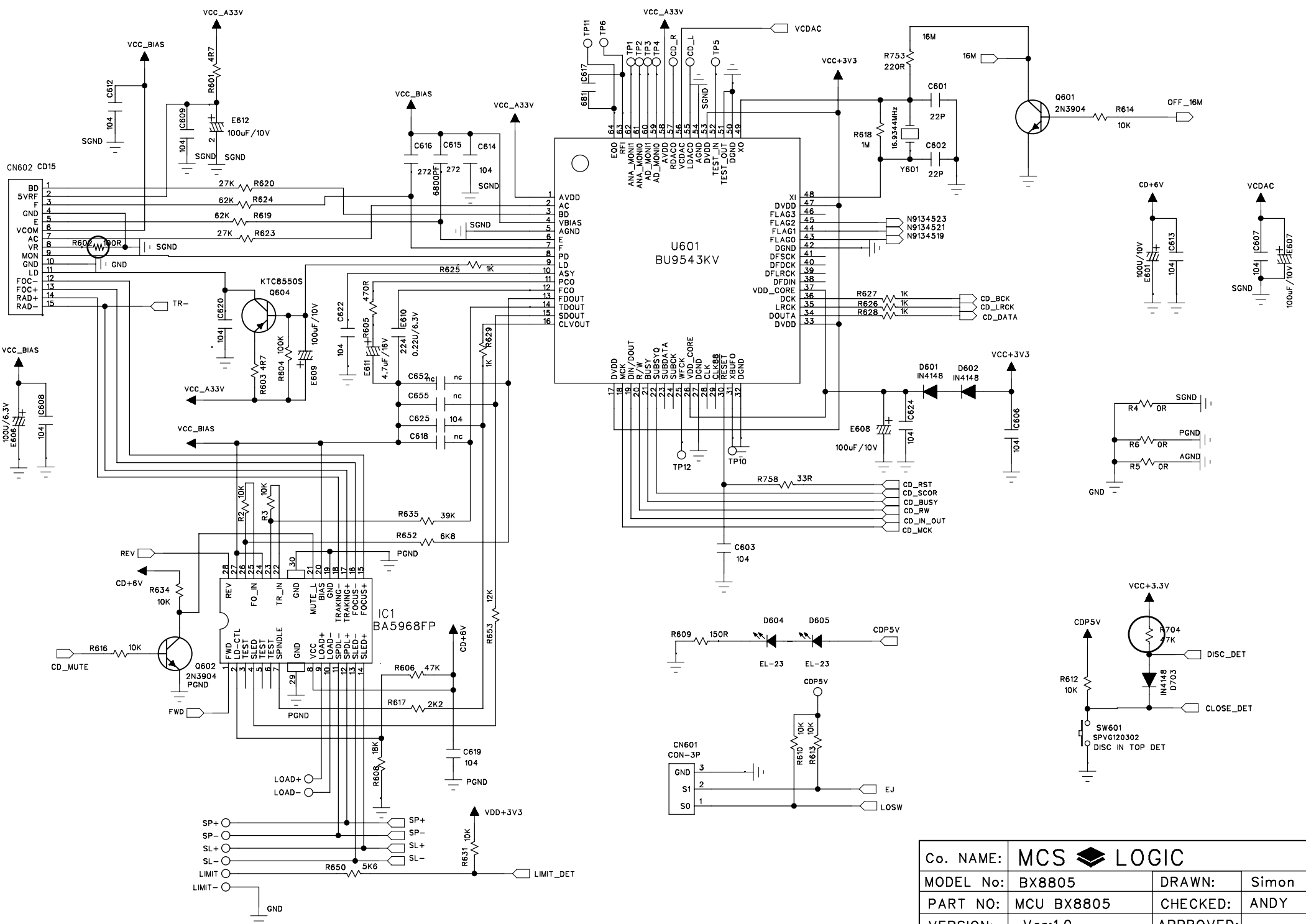
REVISION RECORD				
NO	ECO NO	DESCRIPTION	APPROVED	DATE
1				
2				
3				
4				
5				



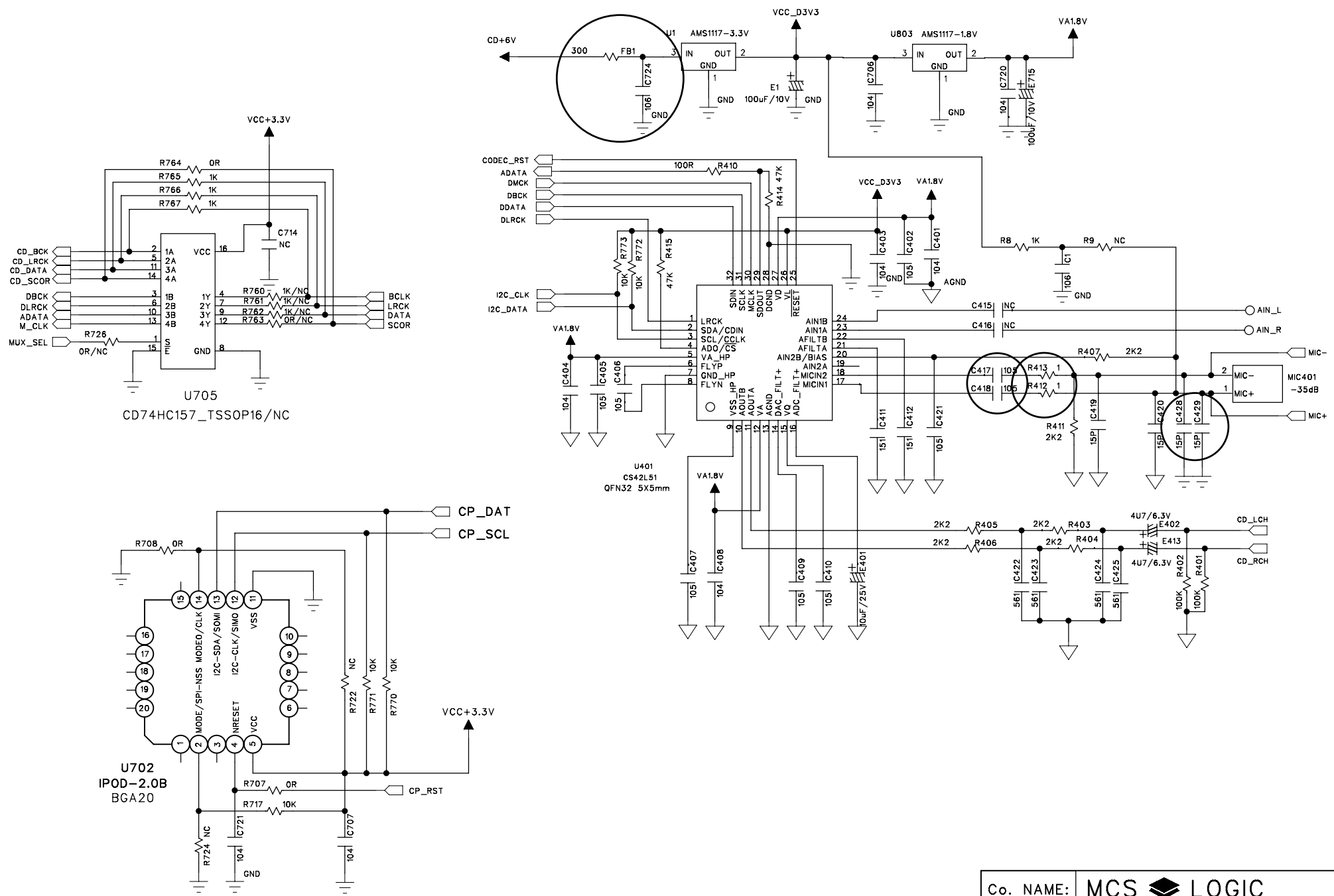
FORYOU GENERAL ELECTRONICS CO., LTD.		BLOCK	DRAWING BY	LYS
FILE NAME	CZ301 MAIN BOARD	MATERIAL	CHECKED BY	
DATE	2010.08.28	VERSION	APPROVED BY	



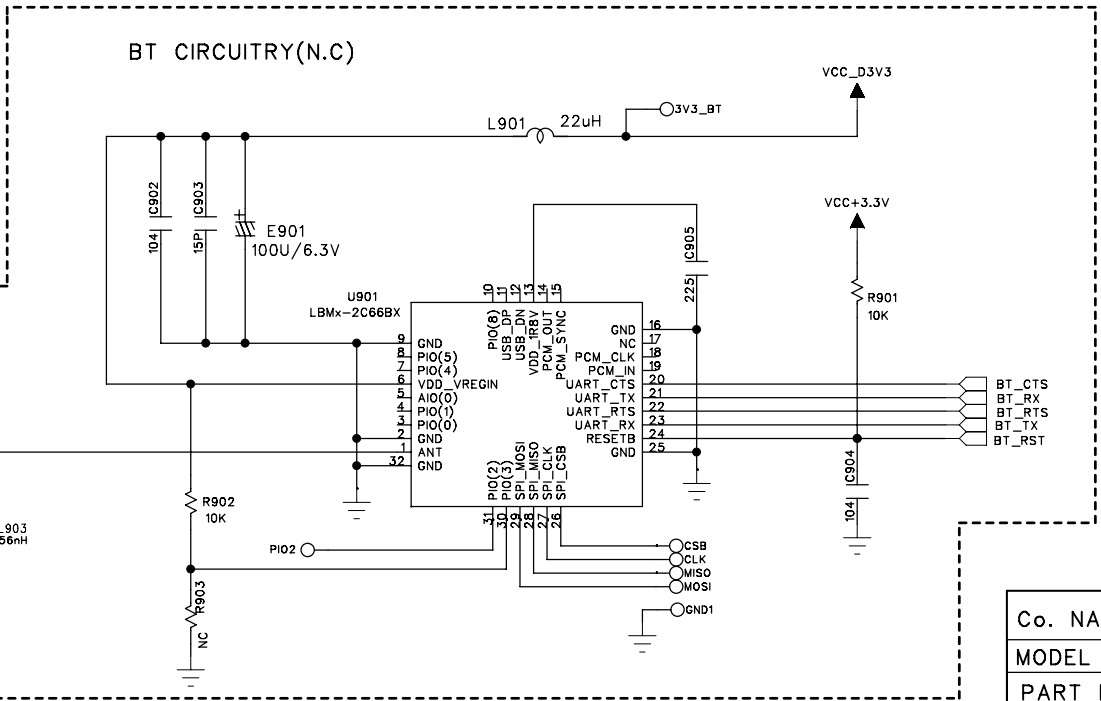
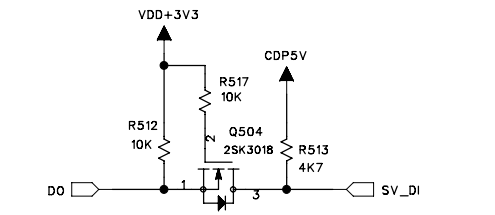
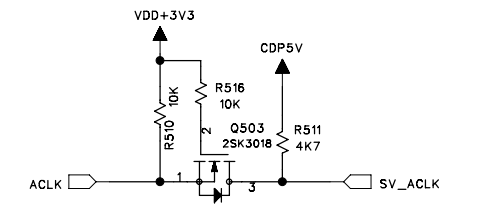
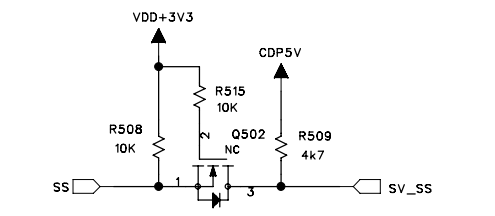
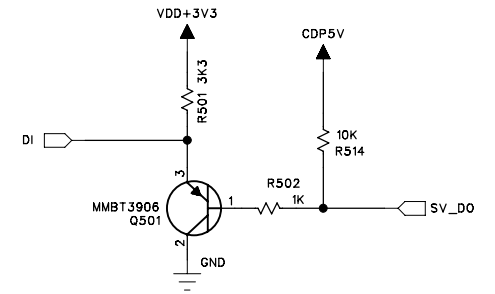
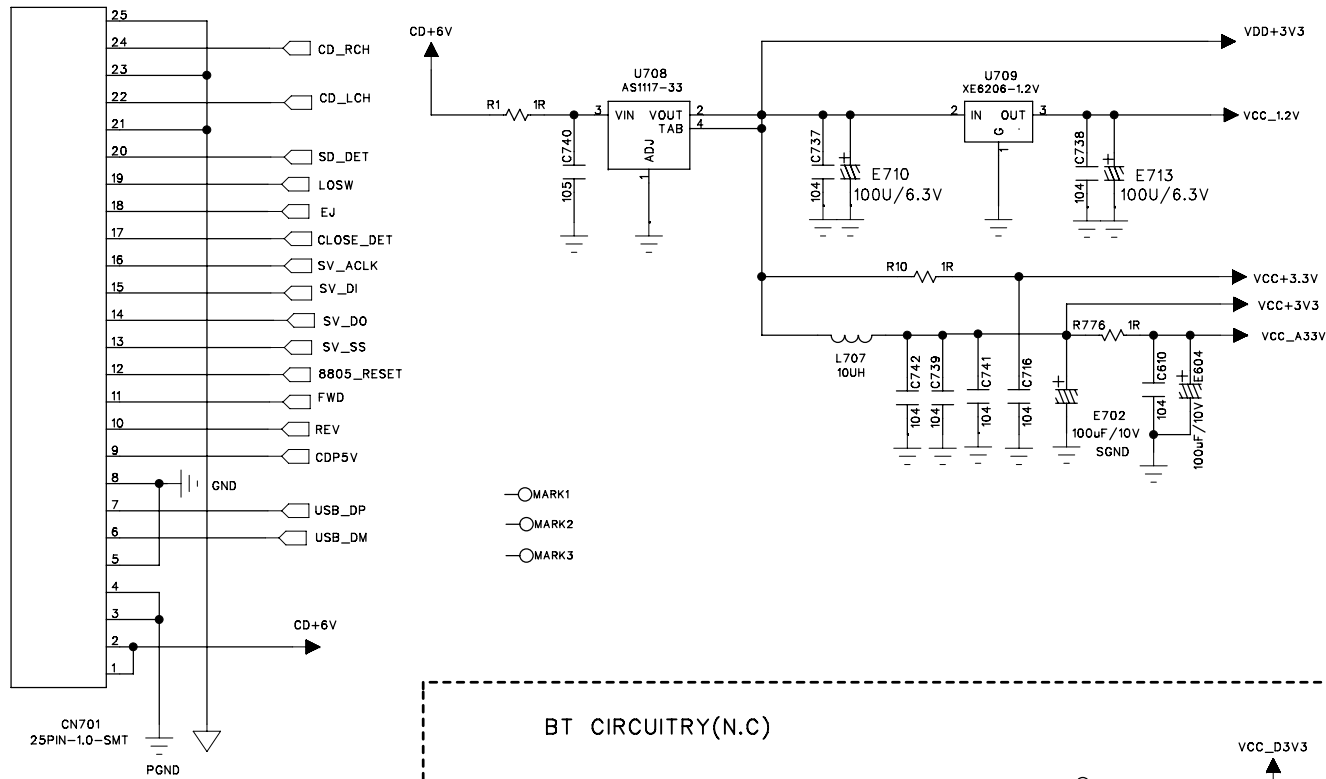
Co. NAME:	MCS LOGIC		
MODEL No:	BX8805	DRAWN:	Simon
PART NO:	MCU BX8805	CHECKED:	ANDY
VERSION:	Ver:1.0	APPROVED:	
PAGE:	1 OF 4	DATE:	081108



Co. NAME:	MCS LOGIC		
MODEL No:	BX8805	DRAWN:	Simon
PART NO:	MCU BX8805	CHECKED:	ANDY
VERSION:	Ver:1.0	APPROVED:	
PAGE:	1 OF 4	DATE:	081108



Co. NAME:	MCS LOGIC		
MODEL No:	BX8805	DRAWN:	Simon
PART NO:	MCU BX8805	CHECKED:	ANDY
VERSION:	Ver:1.0	APPROVED:	
PAGE:	1 OF 4	DATE:	081108



Co. NAME:	MCS LOGIC		
MODEL No:	BX8805	DRAWN:	Simon
PART NO:	MCU BX8805	CHECKED:	ANDY
VERSION:	Ver:1.0	APPROVED:	
PAGE:	1 OF 4	DATE:	081108