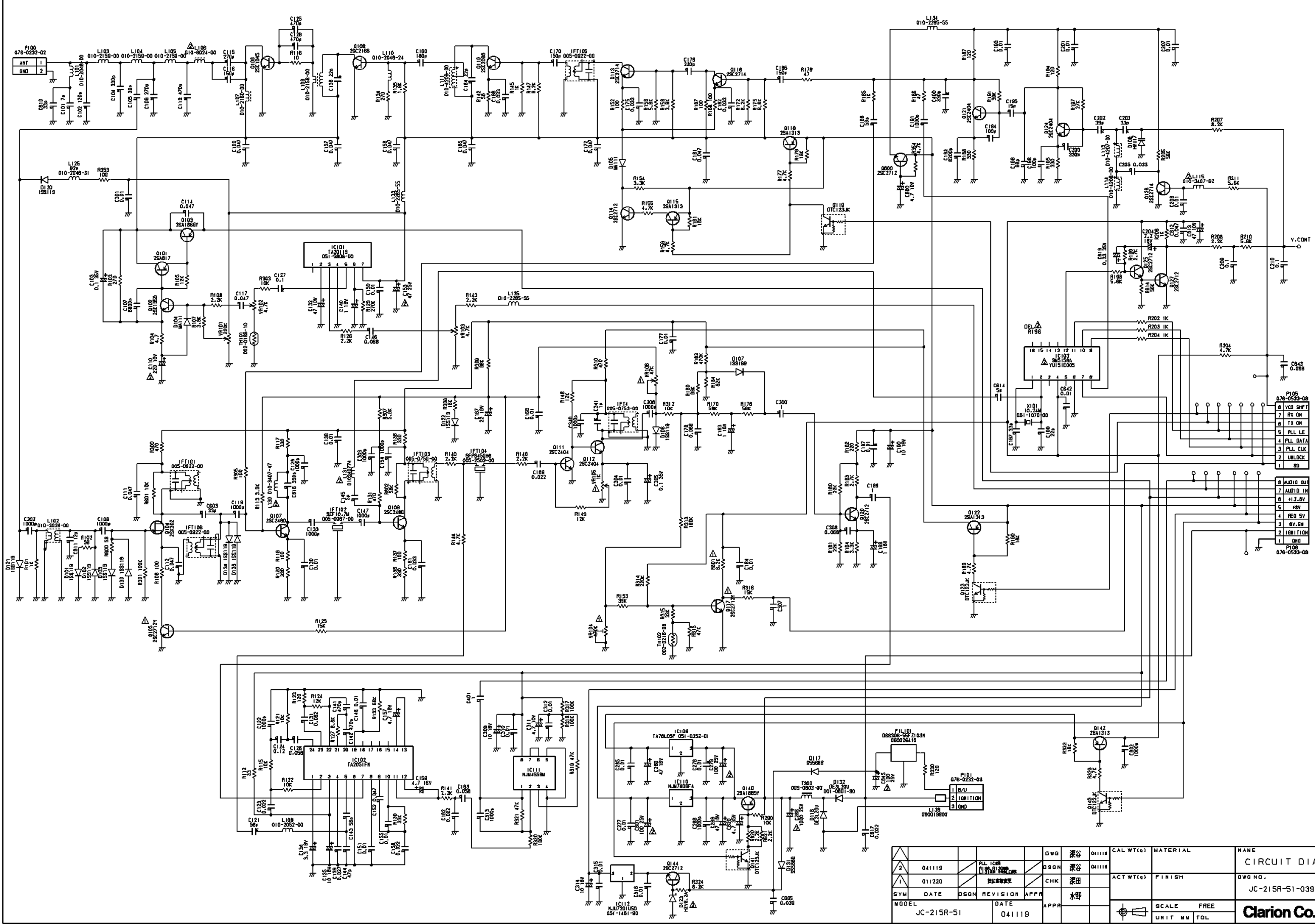


				DWG	深谷	D11226	CAL WT(%)	MATERIAL	NAME
				DSGN	深谷	D11226	ACT WT(%)	FINISH	CIRCUIT DIAGRAM
SYM	DATE	DSGN	REVISION	APPR					DWG NO.
									JC-215R-52-CA-2/2
MODEL	DATE			APPR				SCALE	FREE
JC-215R-51	000711							UNIT	MM TOL
								Clarion Co., Ltd.	



- 070-0533-08
- 8 VCO SWPT
- 7 RX ON
- 6 TX ON
- 5 PLL LE
- 4 PLL DATA
- 3 PLL CLK
- 2 UNLOCK
- 1 SD

- 8 AUDIO IN
- 7 AUDIO IN
- 6 F1.3V
- 5 #V
- 4 REG SV
- 3 BV SW
- 2 IGNITION
- 1 GND

2	04119	PL ICOR	DSGN	深谷	04118	CAL WT(%)	MATERIAL	NAME
3	011220	部品検査	CHK	深田	04118	ACT WT(%)	FINISH	CIRCUIT DIAGRAM
SYM	DATE	DSGN	REVISION	APPR	水野		SCALE	DWG NO.
MODEL	JC-215R-51	DATE	041119	APPR		SCALE	FREE	JC-215R-51-039134502
						UNIT	MM	Clarion Co., Ltd.