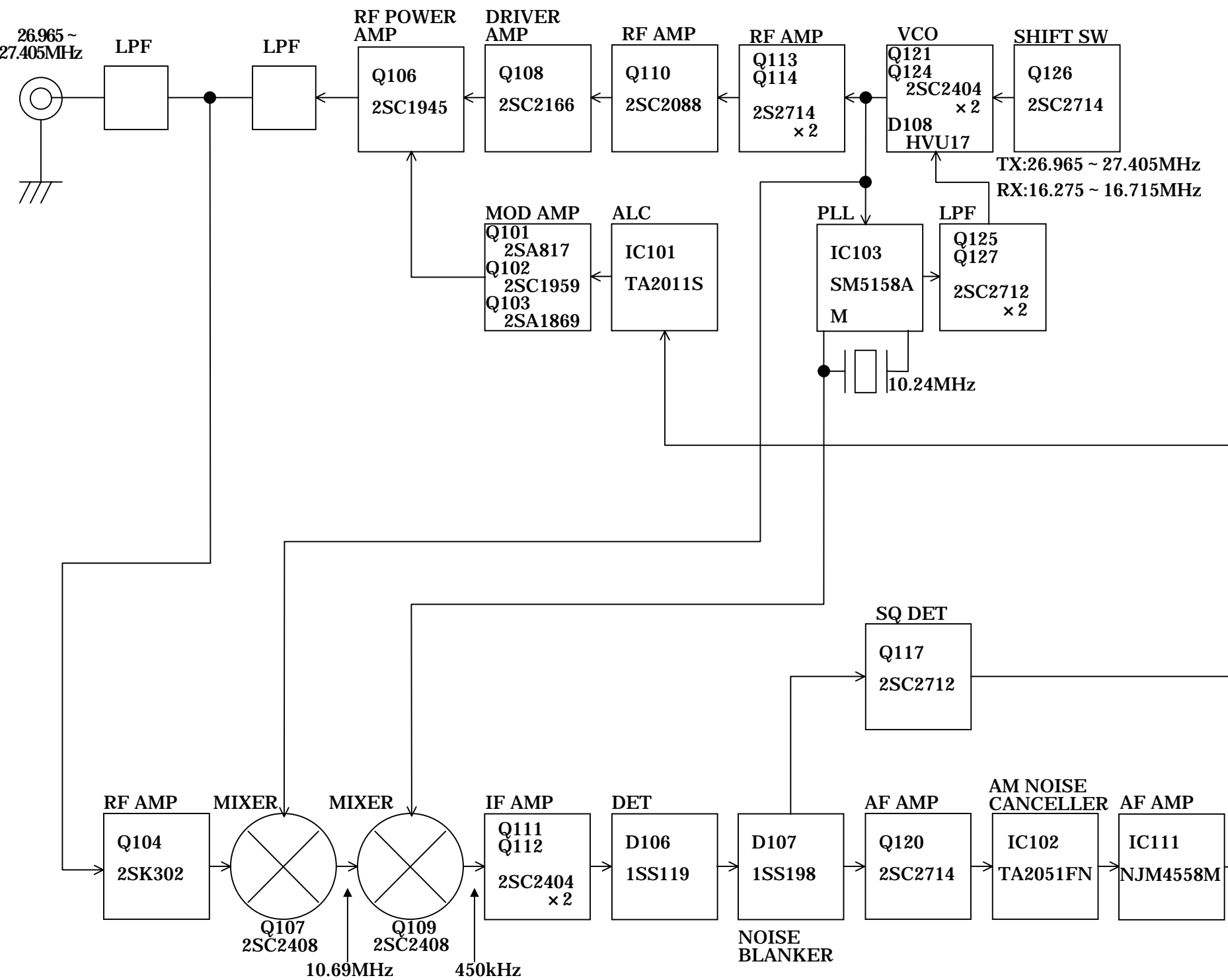
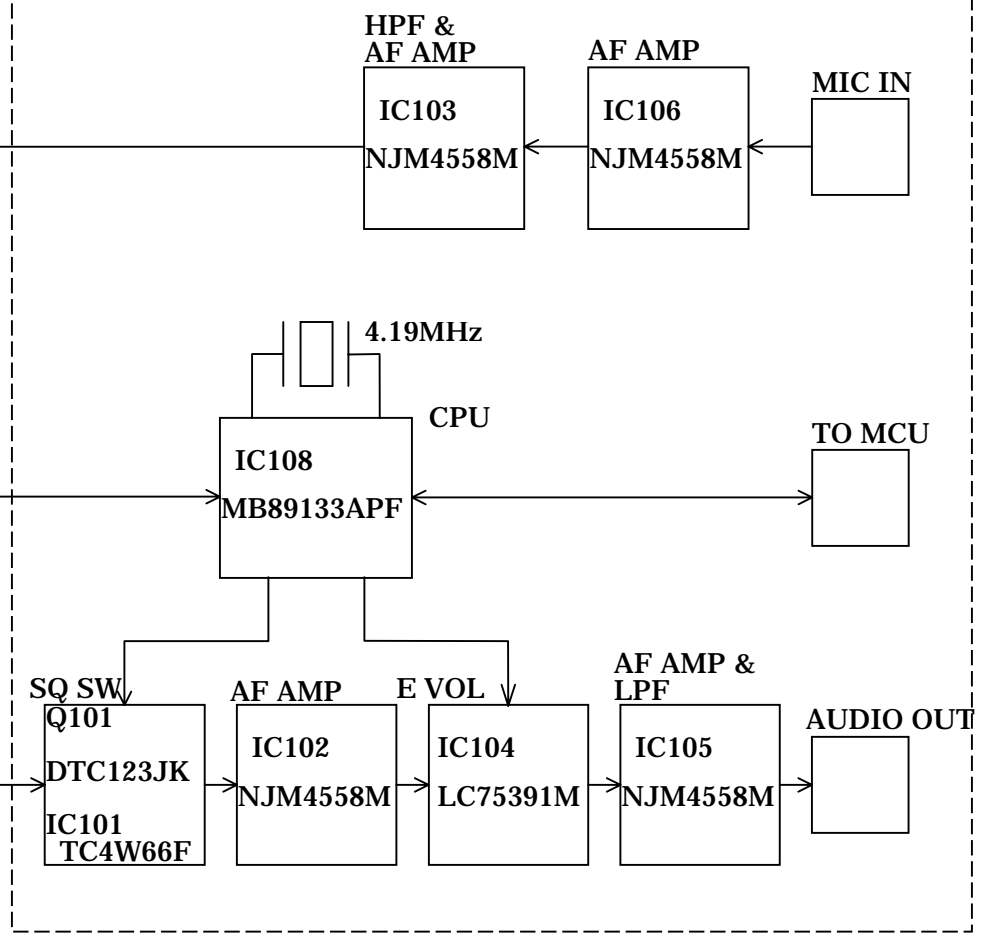


RF CIRCUIT



AUDIO CIRCUIT



△					DWG	FUKADA	CAL WT(g)	MATERIAL	NAME
△					DSGN	FUKADA	ACT WT(g)	FINISH	BLOCK DIAGRAM
△					CHK				DWG NO.
SYM	DATE	DSGN	REVISION	APPR	APPR				
MODEL JC-215R				DATE 3/FEB/2005	APPR			SCALE	Clarion Co.,Ltd.
							UNIT	MM TOL	