

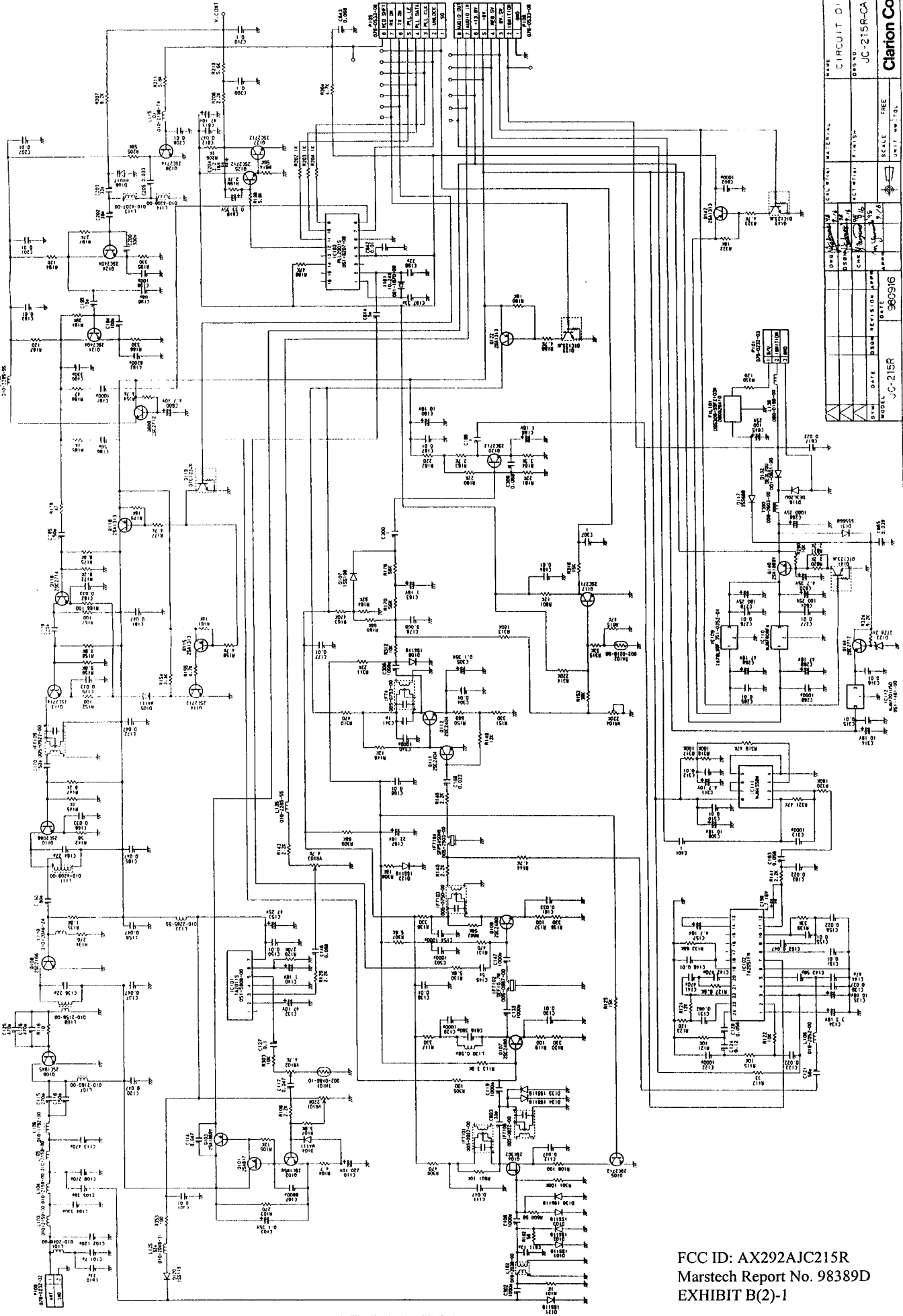
EXHIBIT B

[FCC Ref. 2.983(d)(7)]

"Complete Circuit Diagrams"

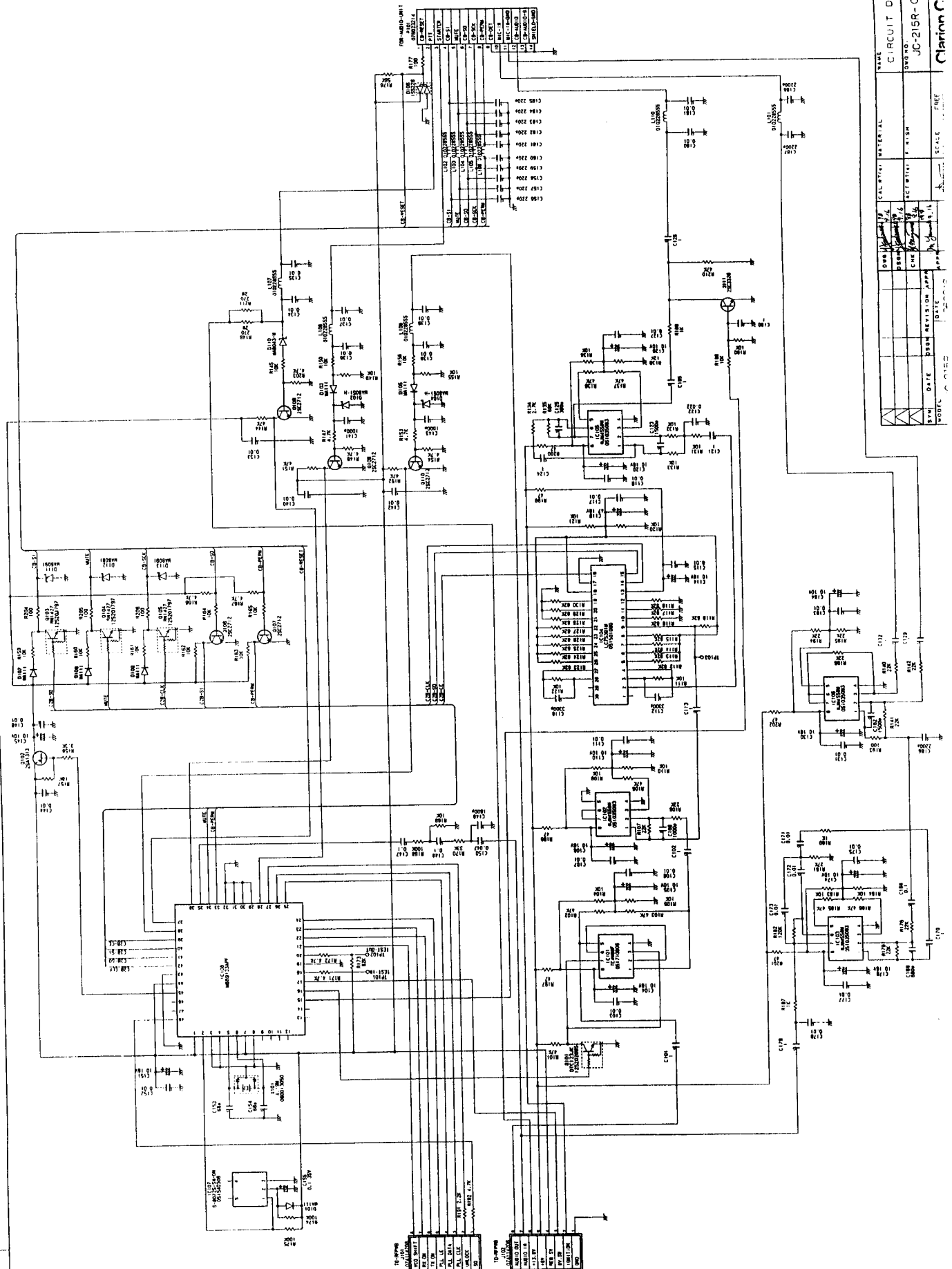
Exhibit B(1)-1

Exhibit B(2)-1 to -2



MODEL	UC-215R	DATE	7/78	SCALE	FREE	UNIT	MM 1:1
DESIGNER	W. H. WATSON	CHECKED		SCALE	FREE	UNIT	MM 1:1
BASED ON	UC-215R-CA-1	DATE		SCALE	FREE	UNIT	MM 1:1
BASED ON		DATE		SCALE	FREE	UNIT	MM 1:1

FCC ID: AX292AJC215R
 Marstech Report No. 98389D
 EXHIBIT B(2)-1



NO.	DATE	DESCRIPTION	APP'D.	SCALE	SHEET
1					
2					
3					
4					
5					

NAME: C. CIRCUIT DIAG
 Dwg No: JC-215R-CA-
 S. W. DATE: 10/2/55
 MODEL: JC-215R-CA
 CLASS: 10-215R-CA
 SCALE: AS SHOWN
 SHEET: 1 OF 1
 DESIGNER: S. W.
 CHECKER: S. W.
 APPROVED: S. W.
 DATE: 10/2/55

Clarion Co. Inc.