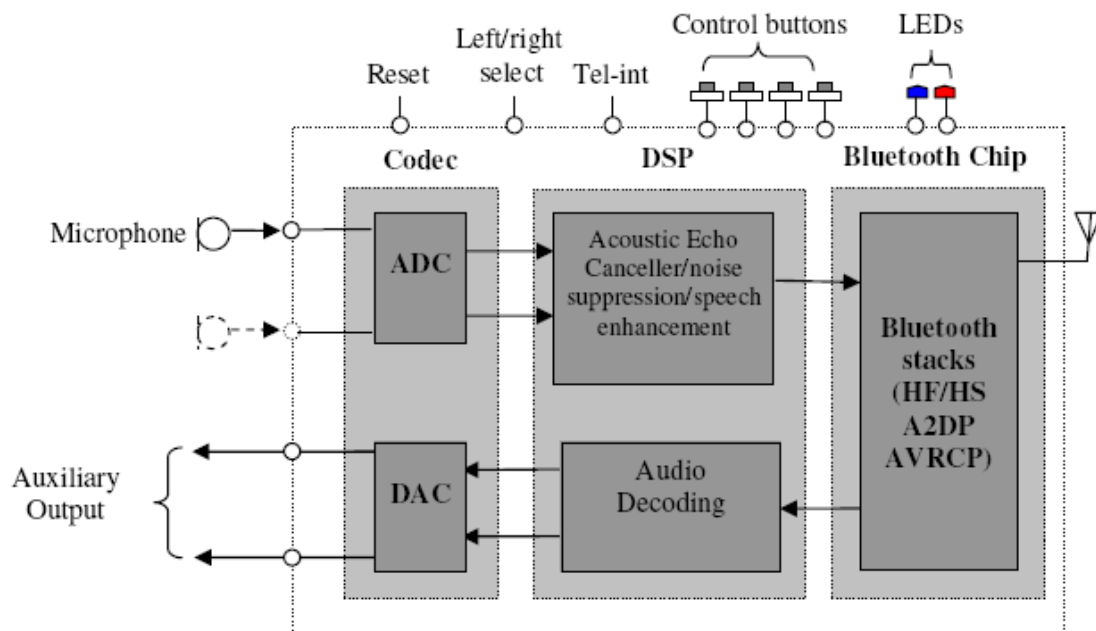


Receiver Block Diagram



Dongle Block Diagram

